

# Parts Manual

## Floor Type Electric Convection Steamer



### Series: Classic Electric Boiler Base Steamer

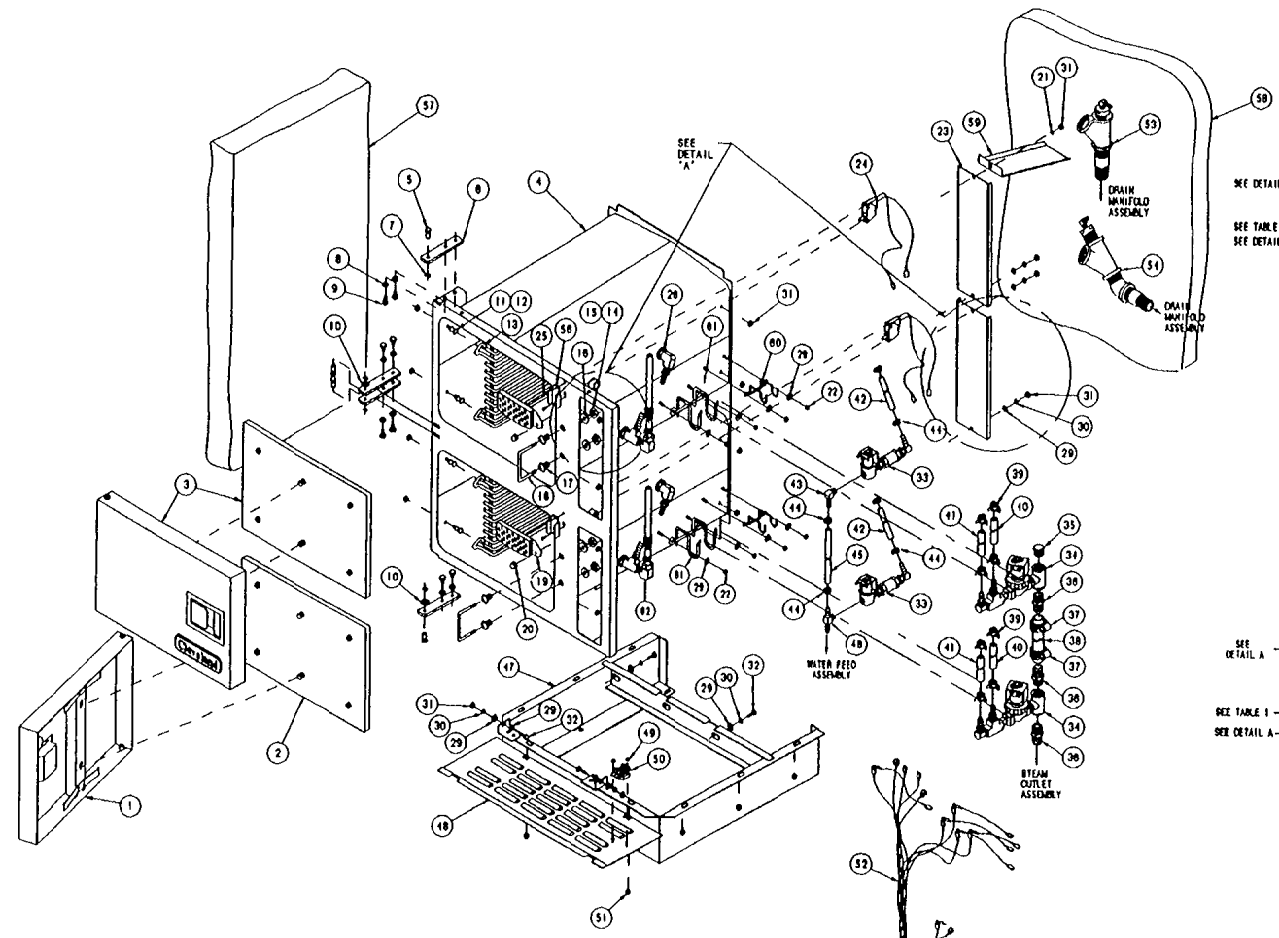
1333 East 179<sup>th</sup> Street  
Cleveland, Ohio 44110

Phone: (216) 481-4900  
1-800-338-2204

Fax: (216) 481-3782  
[www.clevelandrange.com](http://www.clevelandrange.com)

 Cleveland

LET.	REVISIONS	DATE	BY
A	SEE E.O. 4C-2587	03-01-84	
	SEE E.O. 4C-2579	05-24-84	PJD
B	SEE E.O. 4C-2579 R1	07-22-84	PJD
C	SEE E.O. 4C-2579 R2	07-29-84	OLD
D	SEE E.O. 4C-2785	12-08-94	PJD



ITEM NO.	QTY.	PART NO.	DESCRIPTION
42	2	107019	BREATHER/SPRAY NOZZLE ASSY. 1/2" B 1
43	2	106722	BRACKET, VALVE SUPPORT ASSY.
44	2	106159	BRACKET ASSY. WATER, VALVE SUPPORT
45	1	106733	SHIELD, MOISTURE
46	1	104128	INSULATION, CONVECTION BODY REAR
47	1	104125	INSULATION, CONVECTION BODY WRAP
48	1	105442	GUARD, SWITCH PROTECTION
49	2	19972	SWITCH, THERMAL
50	1	106473	DRAIN, LOWER COMP., CONNECTION
51	1	106473	DRAIN, UPPER COMP., CONNECTION
52	-	104219	HARNESS WIRING, ON/OFF
	-	104189	HARNESS WIRING, ELECTRONIC
	-	103856	HARNESS WIRING, MECHANICAL
53	8	14879	NUT, ACONR 10-24 8/S
54	1	44168	TERMINAL BLOCK ASSY. 2 POLE
55	1	104223	NUT, HEX 8-32 ELASTIC LOCK
48	1	102589	PANEL, FRONT FILLER
47	1	40749	PEDESTAL, WELDMENT HINGE LEFT
49	1	106841	FITTING, HOSE 1/4" H X 1/4" H X 1/4" MP
45	1	1058501300	HOSE, NY-80 1/2" X 1/2" X 13" LG
41	8	106528	CLAMP, HOSE, METAL 3/16 TO 5/16 DIA
43	1	105788	FITTING, HOSE 1/4" H X 1/4" H X 1/4" MP
42	2	1058501000	HOSE, NY-80 1/4" X 1/2" X 10" LG
41	2	1052730500	HOSE, SILICONE 3/8" X 5/8" X 3" LG
40	2	1052730600	HOSE, SILICONE 3/8" X 5/8" X 9" LG
39	8	107099	CLAMP, METAL TENSION BAND (3/8")
38	1	08511100	HOSE, SILBRIDE 3/4" X 1" X 11 LG
37	2	03207	CLAMP, HOSE, LINED, MAX OD 1.125"
36	3	08241	FITTING, HOSE BARB 3/4" H X 1/2" MP
35	2	106096	PIUGS 1/2", BRASS
34	2	106830	STEAM, INLET ASSEMBLY
33	2	106831	WATER VALVE ASSY. NEW CONV. STMR.
32	4	19288	SCREW, HEX HEAD 1/4-20 X 3/4
31	24	14818	NUT, HEX 1/4-20 S/S
30	9	23105	WASHER, LOCK 1/4" S/S
29	19	23110	WASHER, FLAT 1/4 X 5/8 X .065
28	2	23138	WASHER, FLAT 3/8 X 7/8 X 1/16
27	2	104409	CLOSURE, THERMAL OPENING
26	2	106230	STEAM SUPPLY ASSEMBLY, CONVECTION
25	-	105449	SCREW, TRUSS HEAD 8-32 X .312, S/S
24	-	104199	SWITCH ASSY., CHET, STEAM SHUT-OFF
23	-	104199	SWITCH ASSY., CHET, STEAM SHUT-OFF
22	8	14892	NUT, ELASTIC LOCK 810-2
21	1	23137	WASHER 1/4" INTERNAL TOOTH
20	2	148771	NUT, ACONR 1/4-20
19	2	89298	SCREEN, COMPARTMENT DRAIN
18	2	104048	CATCH, DOOR
17	4	14895	NUT, DOOR CATCH MOUNTING 8/S
16	4	23149	WASHER, NYLON, TYPE 8-8
15	A/R	01205	ADHESIVE, LOCKITE #290
14	4	14849	NUT, HEX 1/2-13 ZINC PLATED
13	4	41423	RACK, PAN SLIDE 20"
12	A/R	00932	SEALANT, RTV
11	16	101305	PIN, RACK
10	2	102513	WASHER, FLAT 5/16 X 3/4 X .080 S/S
9	8	02312	BOLT, HEX HEAD 5/16-24 X 1/2" S/S
8	8	23106	WASHER, LOCK MED. PATTERN 5/16 S/S
7	4	104062	RING, SNAP S/S
6	4	104078	HINGE, DOOR
5	4	104077	PIN, HINGE
4	1	104891	CONVECTION BODY WELDMENT IN
3	-	1085751	DOOR ASSY., H.L. W/ACTUATOR
2	1	108575	DOOR ASSY., H.L. W/DOOR
1	2	10410	DOOR, INNER ASSEMBLY
1	1	103531	DOOR, OUTER ASSY., H.L. W/ACTUATOR
1	1	103537	DOOR, OUTER ASSEMBLY, H.L.

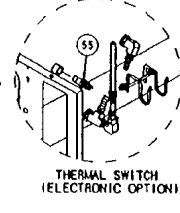
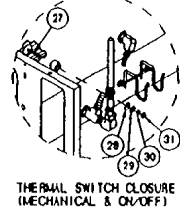
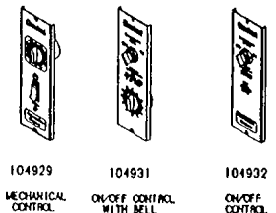


TABLE '1'  
STEAM SHUT-OFF OPTION

ITEM NO.	QTY.	PART NO.	DESCRIPTION
105442	GUARD	58	2
105449	SCREW	25	4
104199	SWITCH	24	2
1063751	DOOR	3	1
1031971	DOOR	1	1

PRODUCTION

THIS DESIGN DESCRIBES A PROPRIETARY ITEM AND IS THE PROPERTY OF CLEVELAND RANGE. THIS DRAWING IS NOT TO BE COPIED OR USED WITHOUT THE APPROVAL OF CLEVELAND RANGE.

TIMER OPTIONS - DETAIL A

ITEM 59 (MOISTURE SHIELD) ELECTRONIC OPTION ONLY

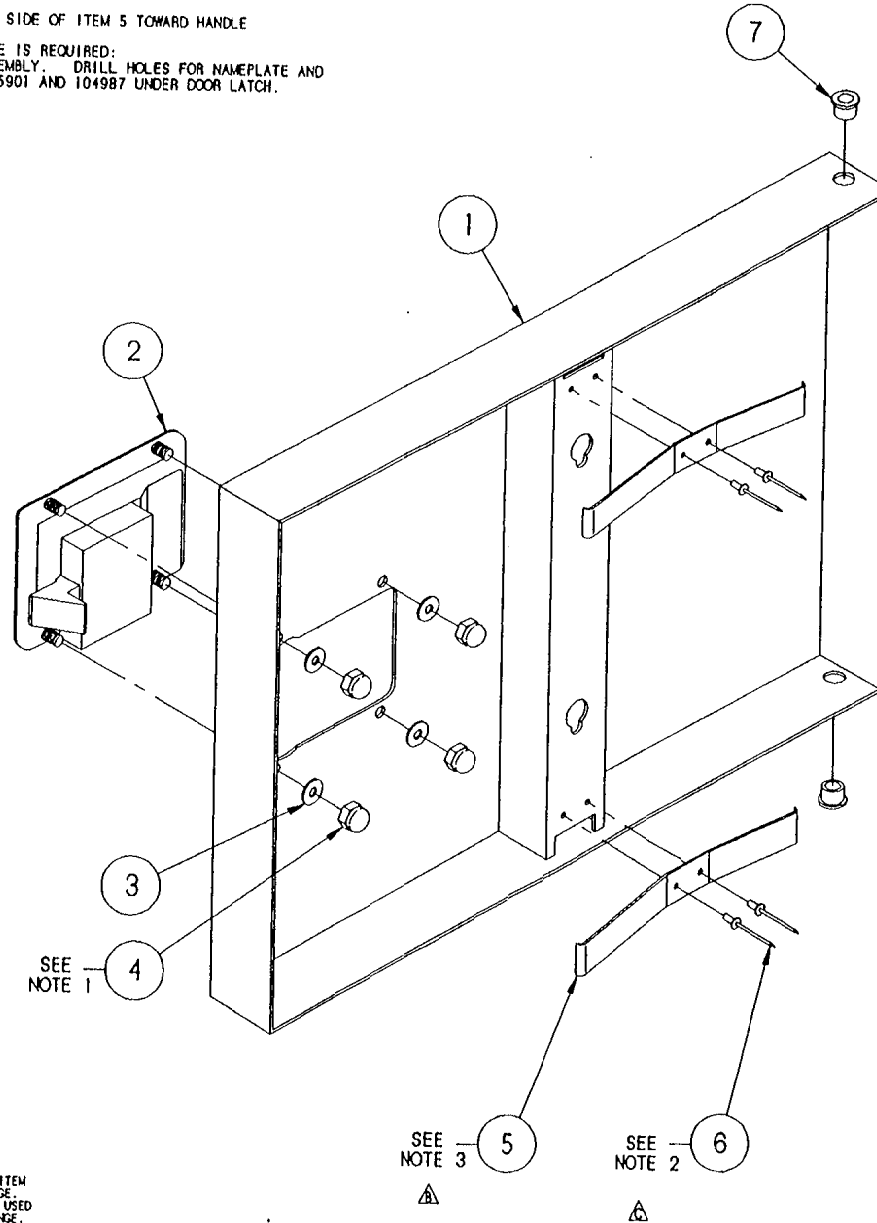
TOLERANCES (EXCEPT AS NOTED)		CLEVELAND RANGE INC. 1333 East 179th St. Cleveland, Ohio 44110-2574	
DECIMAL ± N/A	SCALE NTS	DRAWN BY DUTCHMAN	APPROVED BY
ANGULAR ± N/A	TITLE	CONVECTION H.L. FINAL ASSEMBLY PRODUCTION, ALL OPTIONS	
CK	DATE 11-02-93	DRAWING NO. C - 105509	REV. D

NOTES : 1.) USE LOCTITE #222 - LOW STRENGTH (#104146) ON ITEM 4

⚠ 2.) USE RTV (#00833) ON ITEM 6

⚠ 3.) ORIENT LONGER SIDE OF ITEM 5 TOWARD HANDLE

⚠ 4.) WHEN NAMEPLATE IS REQUIRED:  
ATTACH AT ASSEMBLY. DRILL HOLES FOR NAMEPLATE AND  
MOUNT P/Ns 105901 AND 104987 UNDER DOOR LATCH.



SEE  
NOTE 1

SEE  
NOTE 3

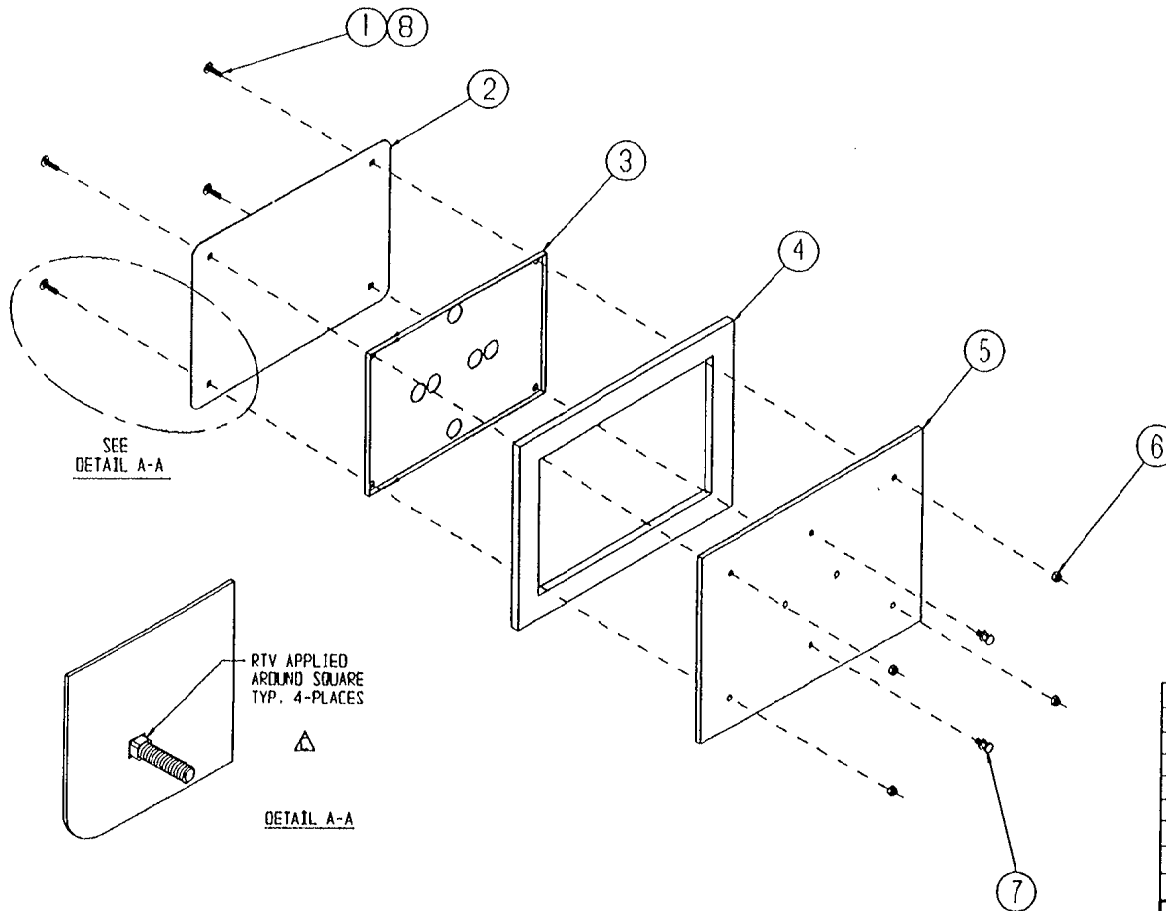
SEE  
NOTE 2

THIS DESIGN DESCRIBES A PROPRIETARY ITEM  
AND IS THE PROPERTY OF CLEVELAND RANGE.  
THIS DRAWING IS NOT TO BE COPIED OR USED  
WITHOUT THE APPROVAL OF CLEVELAND RANGE.

LET.	REVISIONS	DATE	BY
B	NOTE 3 WAS UPDATED, WAS ITEM 6 CALLOUT PER E.O. #C-1908	01-01-91	DJP
C	NOTE 2 REVISED, WAS ITEM 7 CALLOUT PER E.O. #C-1908 R1	03-19-92	PJD
D	P/Ns 105901 & 104987 ADDED PER E.O. #C-2441 R2	08-28-93	PJD
E	P/Ns 105901 & 104987 REF. ONLY PER E.O. #C-2441 R3	08-05-93	PJD
F	P/Ns 105901 & 104987 REMOVED PER E.O. #C-2441 R5	12-13-93	PJD

7	2	103641	BUSHING, BRONZE
6	4	18357	RIVET, 1/8" DIA. FLUSH BREAK, S/S
5	2	102228	SPRING, DOOR
4	4	14879	NUT, #10-24 ACORN, S/S
3	4	101655	WASHER, #10 FLAT, S/S
2	1	103643	LATCH, DOOR - PADDLE TYPE
1	1	103527	OUTER DOOR WELDMENT, H.L.
ITEM	QTY.	PART NO.	DESCRIPTION
TOLERANCES (EXCEPT AS NOTED)			
<b>CLEVELAND RANGE INC.</b> 1333 East 179th St., Cleveland, Ohio 44110-2574			
DECIMAL ± N/A	SCALE 5/8=1	DRAWN BY DUTCHMAN	APPROVED BY
ANGULAR ± N/A	TITLE DOOR, OUTER ASSEMBLY SC 3.1 CONVECTION, H.L.		
CK	DATE 02-28-91	DRAWING NO. C - 103537	REV. F

LET.	REVISIONS	DATE	BY
A	REVISED PER E.O. #C-1872 R5	2-28-91	PJC
B	REVISED PER E.O. #C-1872 R7	5-13-91	PJC
C	REVISED PER E.O. #C-1993	8-05-91	PJC



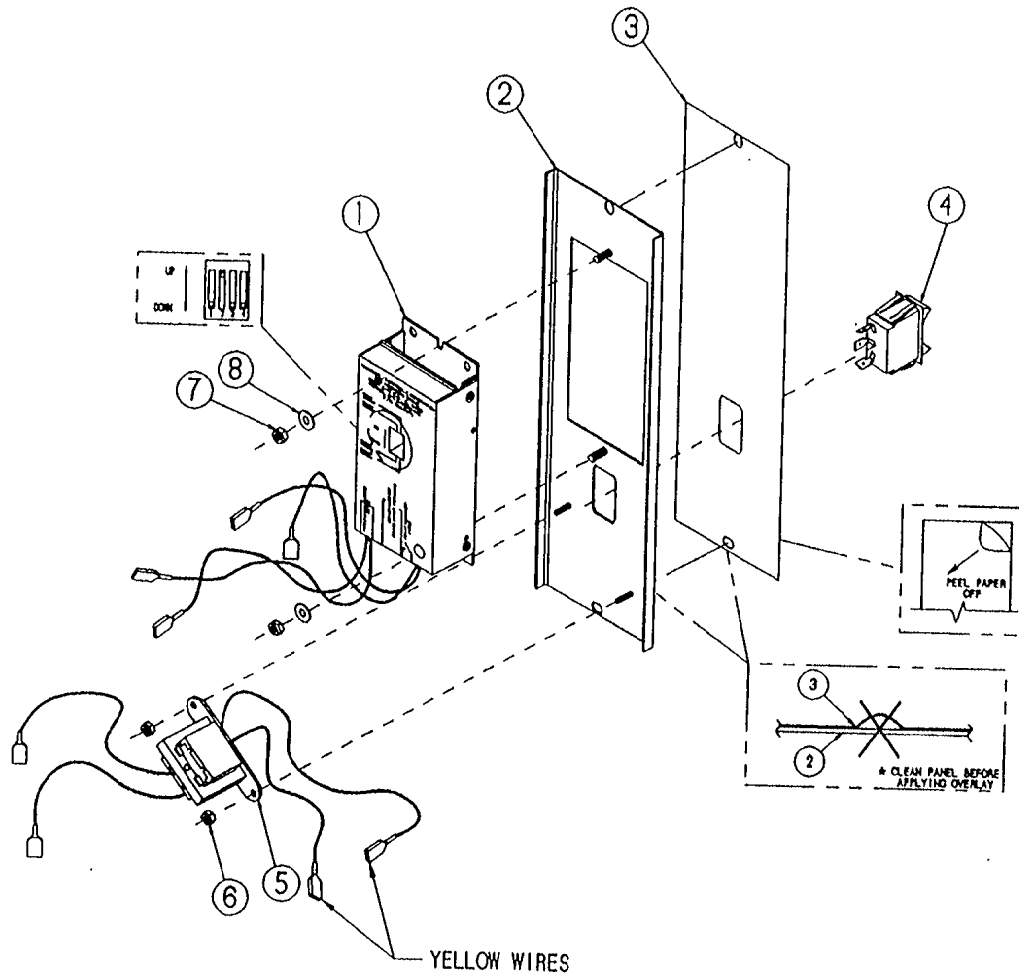
ITEM	QTY.	PART NO.	DESCRIPTION
8	A/R	00932	SEALANT, RTV
7	2	19923	PIN GUIDE, INNER DOOR
6	4	14665	NUT, HEX LOCK 1/4-20
5	1	100745	INNER DOOR WELDMENT
4	1	07138	DOOR GASKET
3	1	66214	INNER GASKET RETAINER
2	1	66595	GASKET RETAINER PLATE
1	4	104719	BOLT, CARRIAGE 1/4-20 X 1.000"

TOLERANCES (EXCEPT AS NOTED)		CLEVELAND RANGE INC.		
		1333 East 178th St. Cleveland, Ohio 44110-2574		
DECIMAL ± N/A	SCALE N/A	DRAWN BY P. J. D.	APPROVED BY D. S.	
ANGULAR ± N/A	TITLE DOOR, INNER ASS'Y. SC 3.1 CONV. (NEW STYLE MODEL C)			
CK	DATE 02-28-91	DRAWING NO. B-104101	REV. C	

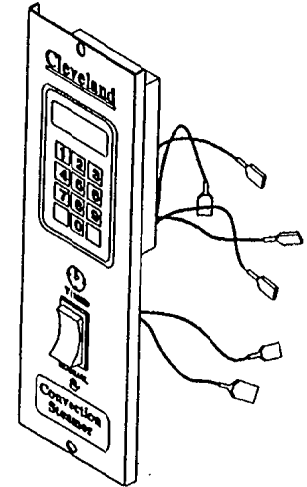
THIS DESIGN DESCRIBES A PROPRIETARY ITEM  
AND IS THE PROPERTY OF CLEVELAND RANGE.  
THIS DRAWING IS NOT TO BE COPIED OR USED  
WITHOUT THE APPROVAL OF CLEVELAND RANGE.



LET	REVISIONS	DATE	BY
A	HOLES ADDED TO LABEL P/N 105889 WAS 104478 EO #C-2182	04-08-92	PJD
B	105889 COLOR/ARTWORK CHANGE PER E.O. #C-2503 & C-2424	09-21-93	PJD



FRONT VIEW



NO.	QTY.	PART NO.	DESCRIPTION
8	2	101635	WASHER, FLAT #10 S/S
7	2	14892	NUT, HEX 10-24 ELASTIC LOCK
6	2	104223	NUT, HEX 8-32 ELASTIC LOCK
5	1	104390	TRANSFORMER, ASSEMBLY
4	1	104221	SWITCH, ROCKER, SPOT MATTE FINISH
3	1	105889	LABEL, CONT. PANEL, HCC - CONY.
2	1	104701	PANEL, WELDMENT ELECTRONIC
1	1	104389	TIMER, ASSEMBLY - HCC

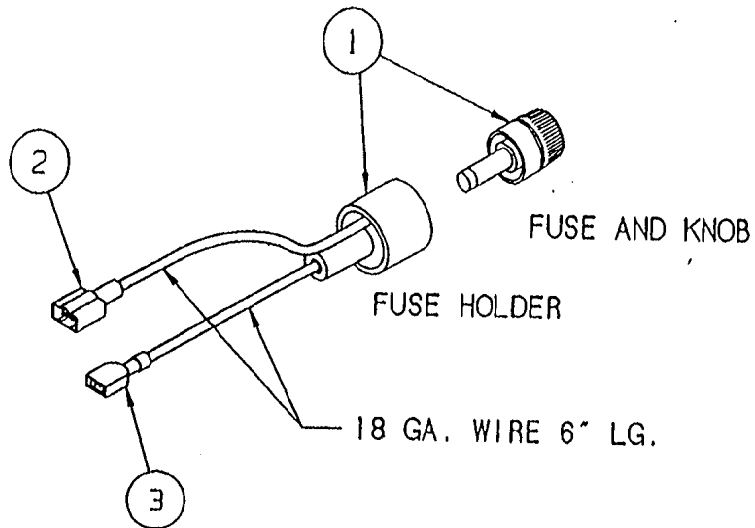


<b>TOLERANCES</b> <small>(UNLESS OTHERWISE SPECIFIED)</small>			
<b>CLEVELAND RANGE INC.</b> 1303 East 179th St. Cleveland, Ohio 44110-2874			
DECIMAL	SCALE	DRAWN BY	APPROVED BY
2 N/A	1/2"	DUTCHMAN	D.S.
<b>TITLE</b> TIMER ASSEMBLY - BACK MOUNTED CONVECTION STEAMER ELECTRIC			
ANGULAR	DATE	DRAWING NO.	REV.
2 N/A	09-17-91	C-104930	B

THIS DESIGN DESCRIBES A PROPRIETARY ITEM AND IS THE PROPERTY OF CLEVELAND RANGE. THIS DRAWING IS NOT TO BE COPIED OR USED WITHOUT THE APPROVAL OF CLEVELAND RANGE.

LET.	REVISIONS	DATE	BY
A	PICTORIAL CHANGE PER E.O. #2591 RI	05-06-94	PJD

U.L. AND C.S.A.  
APPROVED



3	1	20351	TERMINAL, SLIP ON FEMALE
2	1	20370	TERMINAL, SLIP ON, MALE
1	1	106881	FUSE AND HOLDER ASSEMBLY
ITEM	QTY.	PART NO.	DESCRIPTION

TOLERANCES  
(EXCEPT AS NOTED)

DECIMAL  
± .030

ANGULAR  
± 1°

*CLEVELAND RANGE INC.*

1333 East 179th St. Cleveland, Ohio 44110-2574

SCALE  
2=1

DRAWN BY  
DUTCHMAN

APPROVED BY  
-

TITLE

FUSE AND HOLDER WIRE ASSY.  
NCC TIMER RETROFIT

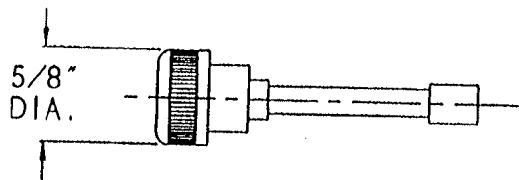
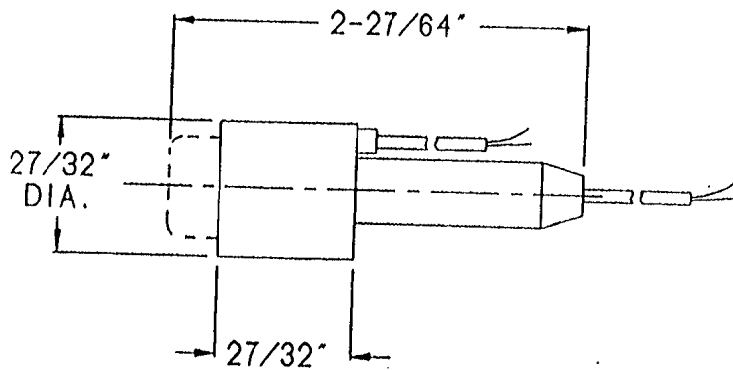
CK

DATE  
05-06-94

DRAWING NO.  
A - 106870

REV.  
A

THIS DESIGN DESCRIBES A PROPRIETARY ITEM  
AND IS THE PROPERTY OF CLEVELAND RANGE.  
THIS DRAWING IS NOT TO BE COPIED OR USED  
WITHOUT THE APPROVAL OF CLEVELAND RANGE.



BUSSMAN HLR  
FUSE HOLDER

GUIDE #1ZLT2 U.L.  
FILE #B14853 U.L.

CLASS #6225-01 C.S.A.  
FILE #47235 C.S.A.

BUSSMAN GLR 2 AMP  
NON-DELAY FUSE

GUIDE #JDYX U.L.  
FILE #E19180 U.L.

CLASS #1422-01 C.S.A.  
FILE #53787 C.S.A.

APPROVED SOURCE:

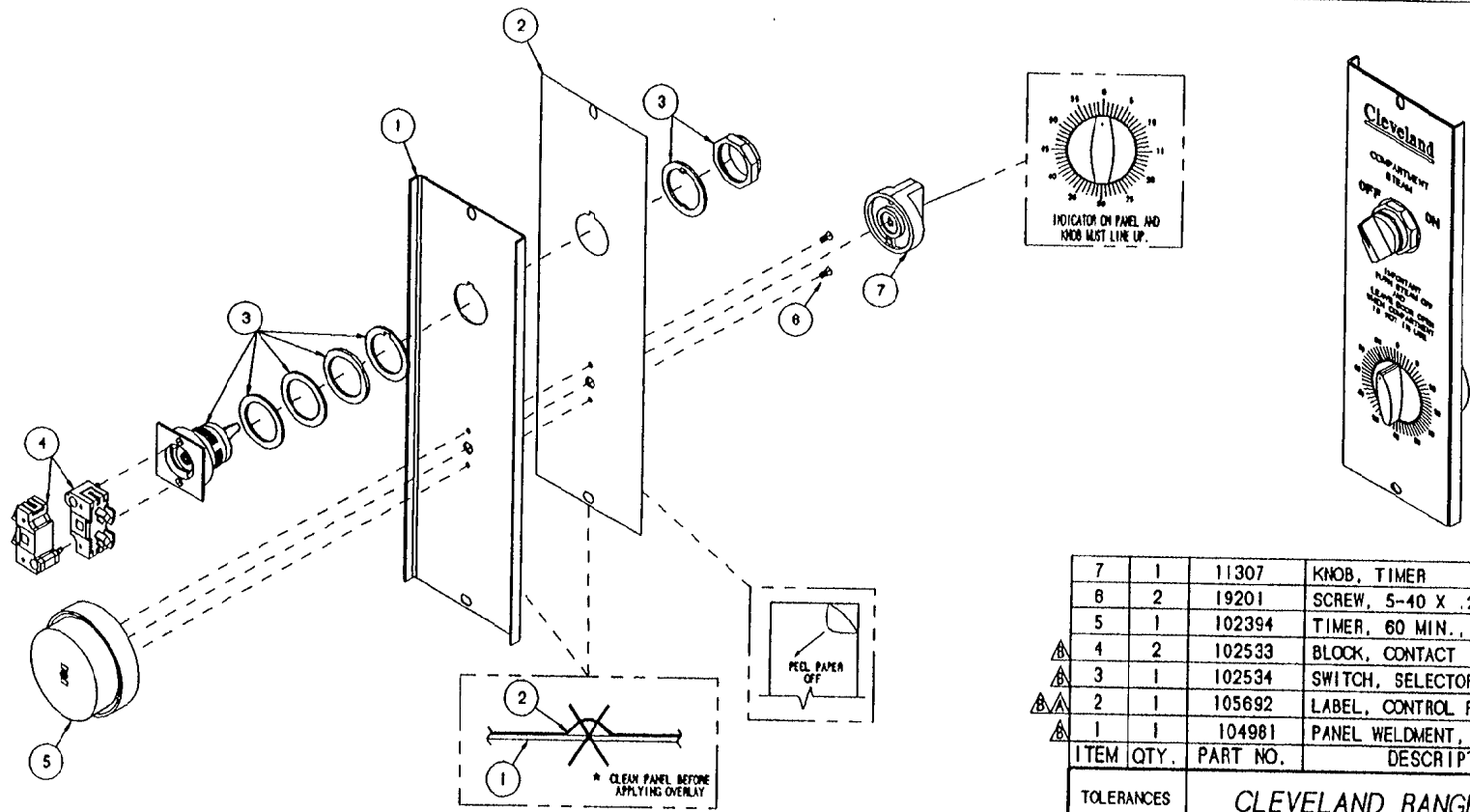
CONSOLIDATED ELECTRICAL DISTRIBUTORS, INC.  
7444 TYLER BLVD., MENTOR, OHIO 44060  
PHONE (216) 946-8850

THIS DESIGN DESCRIBES A PROPRIETARY ITEM  
AND IS THE PROPERTY OF CLEVELAND RANGE.  
THIS DRAWING IS NOT TO BE COPIED OR USED  
WITHOUT THE APPROVAL OF CLEVELAND RANGE.

ITEM	QTY.	PART NO.	DESCRIPTION
TOLERANCES (EXCEPT AS NOTED)		<b>CLEVELAND RANGE INC.</b> 1333 East 179th St. Cleveland, Ohio 44110-2574	
DECIMAL ± .030	SCALE 2=1	DRAWN BY DUTCHMAN	APPROVED BY -
ANGULAR ± 1°	TITLE FUSE AND HOLDER ASSY. NCC TIMER RETROFIT		
CK	DATE 05-06-94	DRAWING NO. A - 106881	REV. -

LET.	REVISIONS	DATE	BY

LET.	REVISIONS	DATE	BY
A	HOLES ADDED TO LABEL, P/N 105692 WAS 103719. E.O. C-2182.	04/08/92	PJD
B	UPDATED PICTORIALY PER E.O. #C-2429 & #C-2495 & #C-2503	09/13/93	NLT

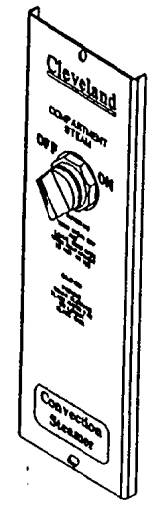
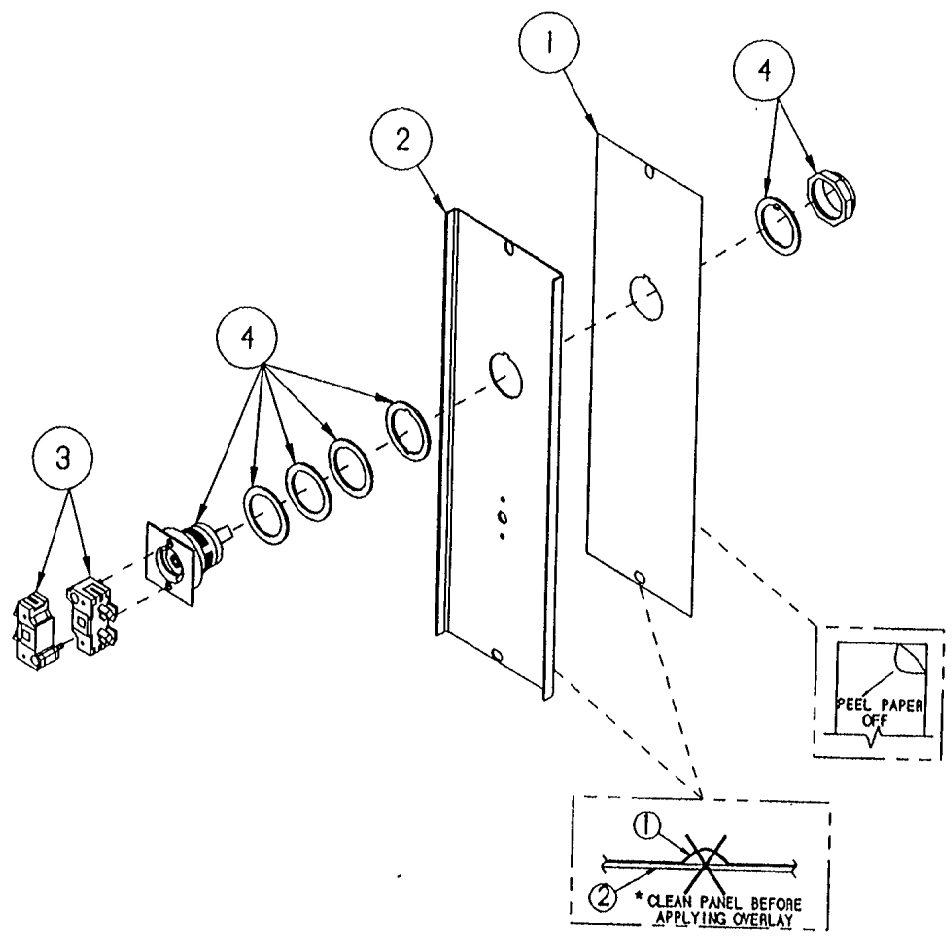


ITEM	QTY.	PART NO.	DESCRIPTION
7	1	11307	KNOB, TIMER
6	2	19201	SCREW, 5-40 X .250, PAN HD
5	1	102394	TIMER, 60 MIN., INDICATING
4	2	102533	BLOCK, CONTACT
3	1	102534	SWITCH, SELECTOR
2	1	105692	LABEL, CONTROL PANEL, ON/OFF
1	1	104981	PANEL WELDMENT, ON/OFF CONTROL

TOLERANCES (EXCEPT AS NOTED)		CLEVELAND RANGE INC. 1333 East 179th St. Cleveland, Ohio 44110-2574	
DECIMAL ± N/A	SCALE 3/8=1	DRAWN BY DUTCHMAN	APPROVED BY BEDFORD
ANGULAR ± N/A	TITLE TIMER ASSEMBLY, ON/OFF CONTROL W/ INDICATING TIMER		
CK	DATE 09-19-91	DRAWING NO. B - 104931	REV. B

THIS DESIGN DESCRIBES A PROPRIETARY ITEM AND IS THE PROPERTY OF CLEVELAND RANGE. THIS DRAWING IS NOT TO BE COPIED OR USED WITHOUT THE APPROVAL OF CLEVELAND RANGE.

LET	REVISIONS	DATE	BY
A	HOLES ADDED TO LABEL P/N 105691 WAS 103718 EO #C-2182	04-08-92	PJD
B	103891 COLOR/ARTWORK CHANGE & 101981 HOLE PLACEMENT REVISED PER E.O. #C-2503 & C-2424	09-21-93	PJD

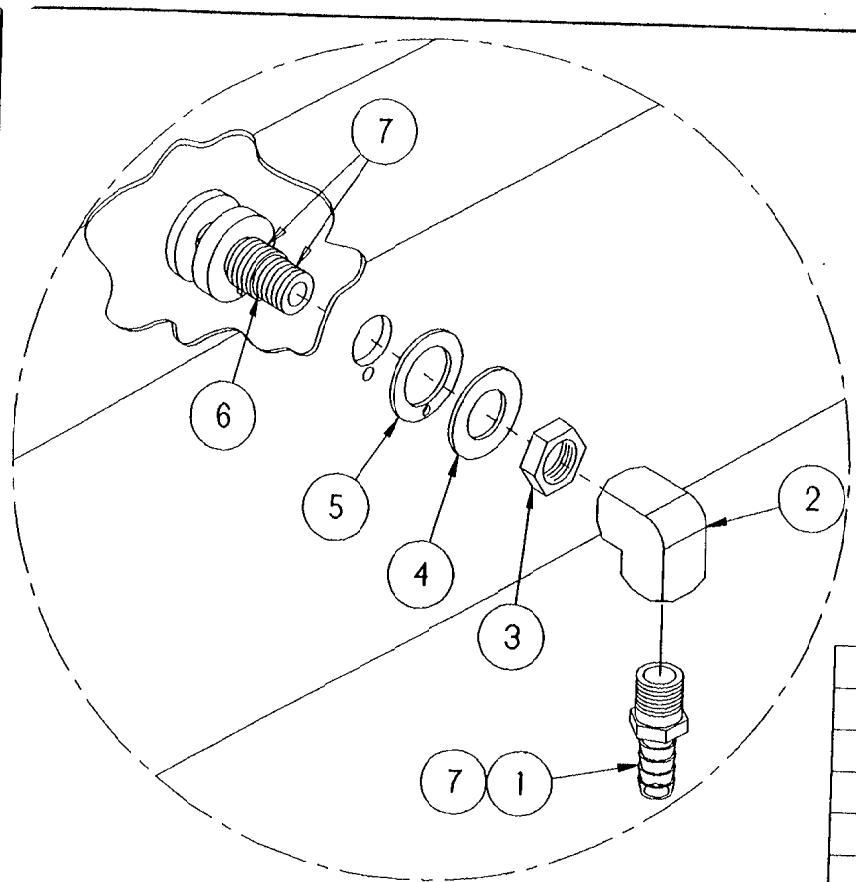


NO.	QTY	PART	DESCRIPTION
4	1	102534	SWITCH, SELECTOR
3	2	102533	BLOCK, CONTACT
2	1	104981	PANEL, CONV., ON/OFF
1	1	105691	LABEL, PANEL, ON/OFF

TOLERANCES UNLESS NOTED			
<b>CLEVELAND RANGE INC.</b>			
1233 East 178th St., Cleveland, Ohio 44110-2574			
DECIMAL 1 N/A	SCALE 1/2"	DRAWN BY DUTCHMAN	APPROVED BY D.S.
ANGULAR 2 N/A	TITLE TIMER ASSEMBLY - BACK MOUNTED CONVECTION STEAMER, ON/OFF		
OK	DATE 09-19-91	DRAWING NO. C-104932	REV. B

THIS DESIGN DESCRIBES A PROPRIETARY ITEM AND IS THE PROPERTY OF CLEVELAND RANGE. THIS DRAWING IS NOT TO BE COPIED OR USED WITHOUT THE APPROVAL OF CLEVELAND RANGE.



TYPICAL APPLICATION

THIS DESIGN DESCRIBES A PROPRIETARY ITEM AND IS THE PROPERTY OF CLEVELAND RANGE. THIS DRAWING IS NOT TO BE COPIED OR USED WITHOUT THE APPROVAL OF CLEVELAND RANGE.

LET.	REVISIONS	DATE	BY
A	SEE E.O. #C-2689	09-15-94	PJD

NOTES:

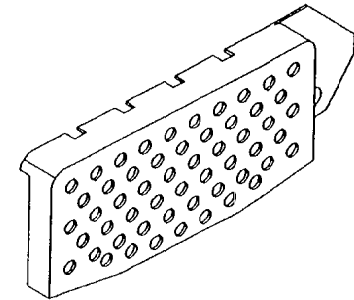
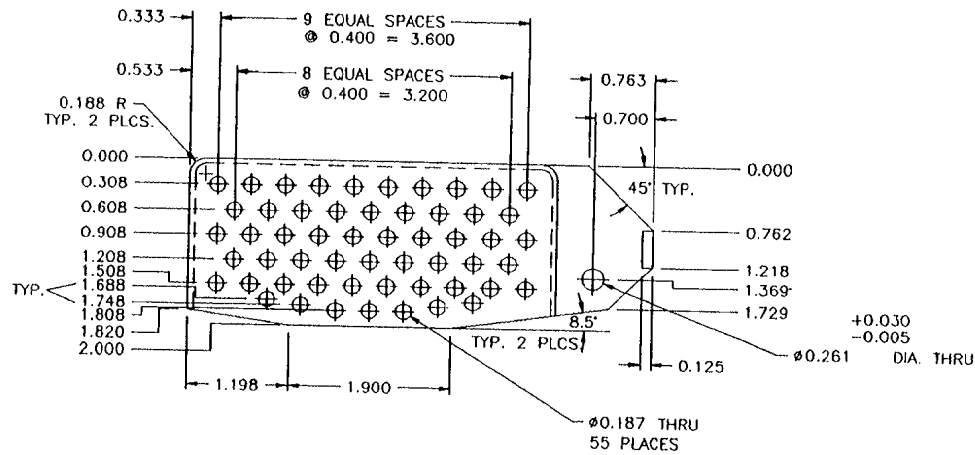
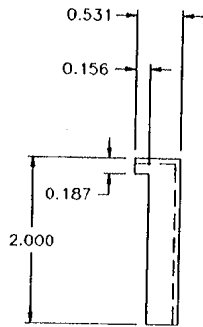
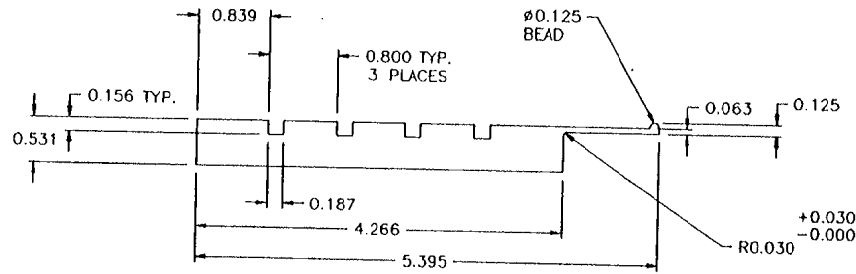
1.) ITEM 2 (P/N 05236) AND ITEM 1 (P/N 105277) TO BE ROTATED TO AN ANGLE THAT WILL MATCH THE OTHER SPRAY NOZZLES OR MEET A MATING HOSE FITTING.

ITEM	QTY.	PART NO.	DESCRIPTION
7	A/R	00934	SEALANT, RECTORSEAL
6	1	104009	FITTING, ASSY, STEAM SUPPLY
5	1	104082	GASKET, STEAM INJECTOR
4	1	104232	WASHER, FLAT S/S
3	1	104081	NUT, JAM 5/8-18, BRASS
2	1	05236	ELBOW, 1/4" X 90°, BRASS
1	1	105277	FITTING, HOSE 3/8 H X 1/4 MPT

TOLERANCES (EXCEPT AS NOTED)		<b>CLEVELAND RANGE INC.</b> 1333 East 179th St. Cleveland, Ohio 44110-2574	
DECIMAL ± .030	SCALE 1/2"		
ANGULAR ± 1°	TITLE SPRAY NOZZLE ASSY. (3/8" HOSE) CONVECTION AND CONVECTION PRO, STEAMCRAFT POWER 10 AND D.C. 10		
CK	DATE 12-14-92	DRAWING NO. A - 106230	REV. A

NOTE: TOLERANCES ARE NON-ACCUMULATIVE

LET.	REVISIONS	DATE	BY
C	REVISED/REDRAWN DEVELOPED NEW EO #C-1889	02/08/91	DJP
D	REVISED/REDRAWN .187 DIA. HOLES REPLACED BY OROUND SLOTS EO #C-1929	04/30/91	DJP
E	CHANGED BACK TO .187 DIA. HOLES & MATERIAL CHANGED TO TALC FILLED POLYPROPYLENE PER EO #C-2299 R2	09/24/93	NLT
F	ADDED APPROVED SOURCE PER EO #C-2853	07/31/95	DJP



MATERIAL: TALC FILLED POLYPROPYLENE  
 NOMINAL THICKNESS: 0.062 IN.  
 COLOR: NATURAL

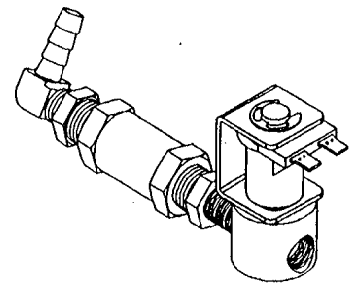
APPROVED SOURCE:

- F** 1.) ROYAL PLASTIC  
 MATERIAL SUPPLIER: FERRO CORP.  
 FORMULATION I.D. APP40GR17NA  
 NSF DCC FD04593-001

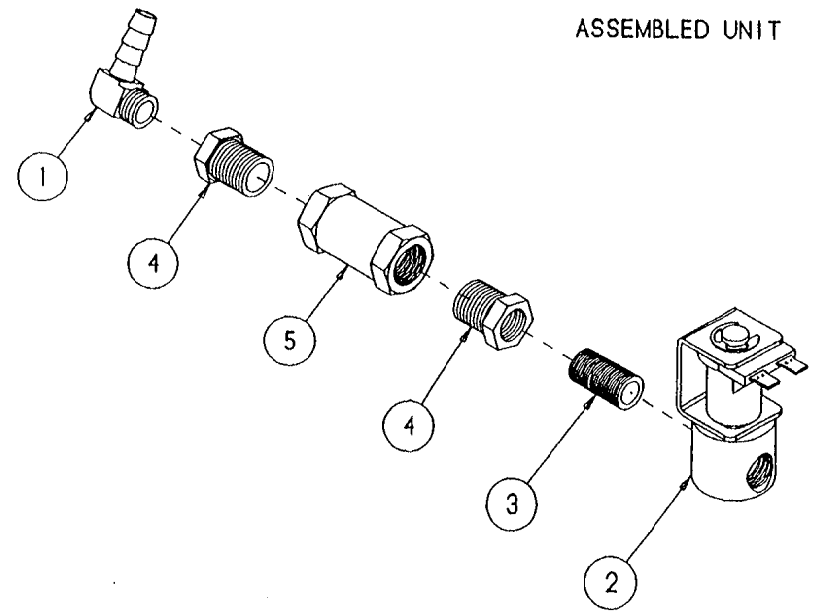
THIS DESIGN DESCRIBES A F ITEM AND IS THE PROPERTY OF CLEVELAND RANGE. THIS DRAWING IS NOT TO BE REPRODUCED OR USED WITHOUT THE APPROVAL OF CLEVELAND RANGE.

ITEM	QTY	PART NO.	DESCRIPTION
<b>CLEVELAND RANGE INC.</b>			
1333 East 170th St. Cleveland, Ohio 44110-2574			
DECIMAL ± 0.30	SCALE 1=1	DRAWN BY NLT	APPROVED BY
ANGULAR ± 1'	TITLE SCREEN, DRAIN CO' MOLDED PLA		ENT,
DATE 12/16/92	DRAWING NO. C-60208	REV	

LET.	REVISIONS	DATE	BY
------	-----------	------	----



ASSEMBLED UNIT



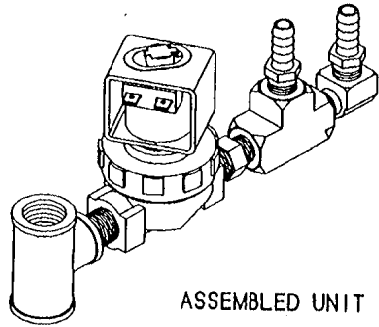
PRODUCTION

ITEM	QTY.	PART NO.	DESCRIPTION
5	1	15455	FLOW CONTROLLER, COND REGULATOR, 3/8"
4	2	02594	BUSHING, HEX, 3/8 X 1/4, BRASS
3	1	14304	NIPPLE, 1/4 X CLOSE, YELLOW BRASS
2	1	22218	VALVE, SOLENOID
1	1	105786	FTING, HOSEBARB, 1/4MPT X 1/4H, 90°

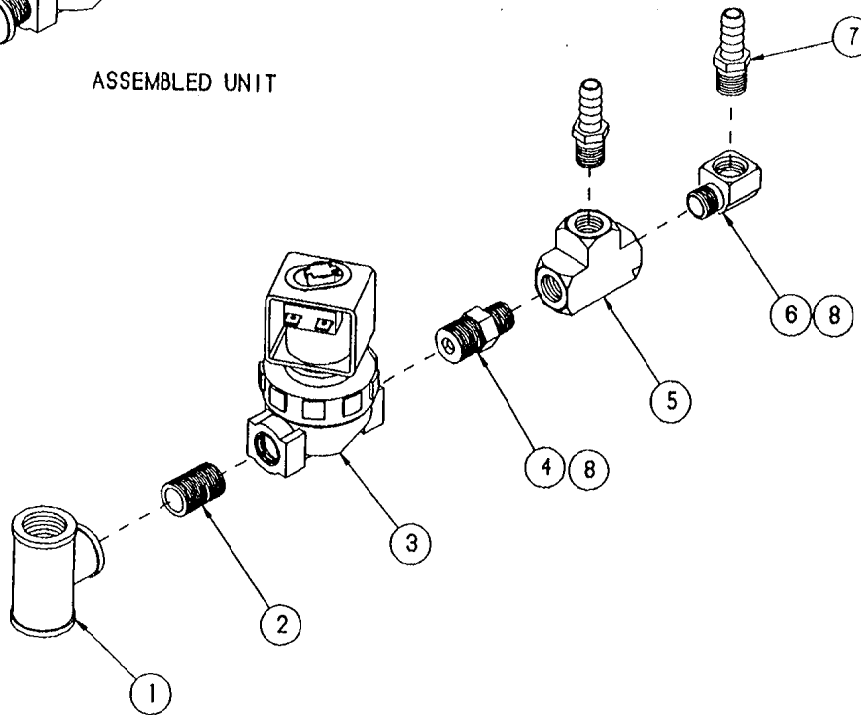
TOLERANCES (EXCEPT AS NOTED)		<b>CLEVELAND RANGE INC.</b> 1333 East 179th St. Cleveland, Ohio 44110-2574	
DECIMAL ± .030	SCALE 5/8"	DRAWN BY Dutchman	APPROVED BY
ANGULAR ± 1°	TITLE WATER VALVE ASSEMBLY CONVECTION		
CK	DATE 02-23-94	DRAWING NO. B - 106831	REV. -

THIS DESIGN DESCRIBES A PROPRIETARY ITEM AND IS THE PROPERTY OF CLEVELAND RANGE. THIS DRAWING IS NOT TO BE COPIED OR USED WITHOUT THE APPROVAL OF CLEVELAND RANGE.

LET	REVISIONS	DATE	BY
-----	-----------	------	----



ASSEMBLED UNIT



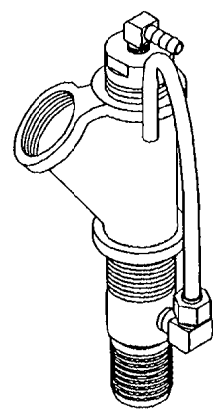
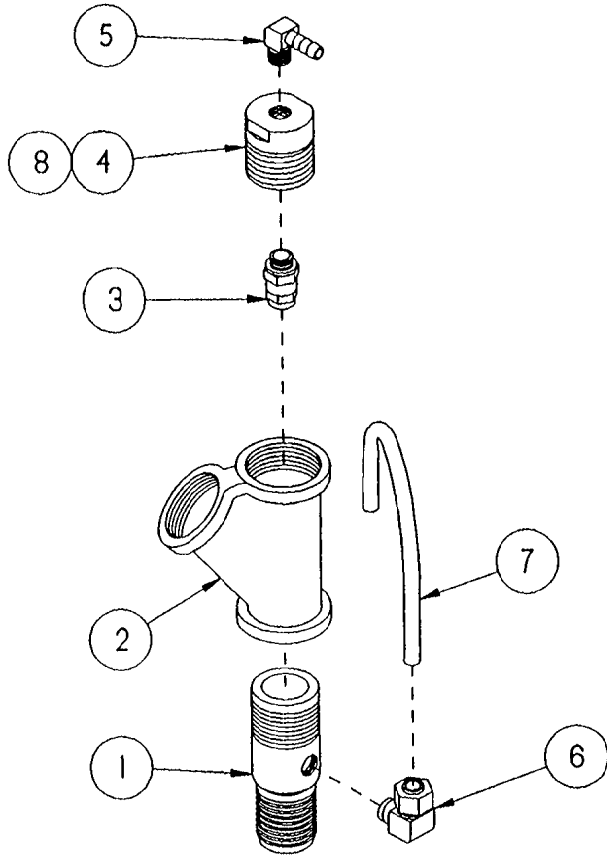
PRODUCTION

THIS DESIGN DESCRIBES A PROPRIETARY ITEM AND IS THE PROPERTY OF CLEVELAND RANGE. THIS DRAWING IS NOT TO BE COPIED OR USED WITHOUT THE APPROVAL OF CLEVELAND RANGE.

ITEM	QTY.	PART NO.	DESCRIPTION
8	A/R	00934	SEALANT, RECTORSEAL
7	2	105277	FITTING, HOSE BARB 3/8 H X 1/4 NPT
6	1	05235	ELBOW, STREET 1/4" X 90°, BRASS
5	1	20199	TEE, 1/4" BRASS
4	1	105699	FITTING, FLOW RESTRICTOR, 3/8 X 1/4
3	1	22224	VALVE, STEAM SOLENOID 1-80 PSI
2	1	14427	NIPPLE, 3/8 X CLOSE, BRASS
1	1	100676	TEE, 1/2 X 3/8 X 1/2, BRASS

TOLERANCES (EXCEPT AS NOTED)		CLEVELAND RANGE INC. 1333 East 179th St. Cleveland, Ohio 44110-2574	
DECIMAL ± N/A	SCALE 1/2"	DRAWN BY Dulchman	APPROVED BY
ANGULAR ± N/A	TITLE STEAM, INLET ASSEMBLY CONVECTION		
CK	DATE 02-23-94	DRAWING NO. B - 106830	REV. -

LET.	REVISIONS	DATE	BY
A	P/N 105787 WAS 08192 PER E.O. #C-2579	02-25-94	PJD



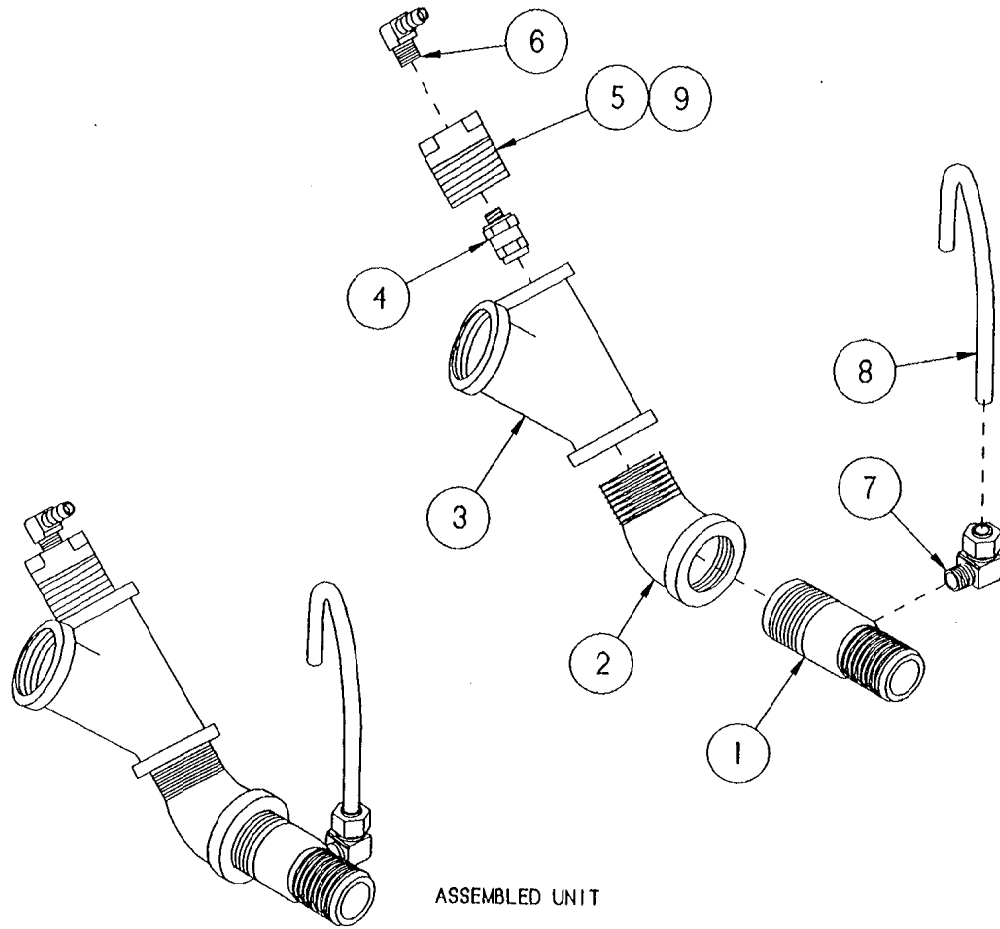
ASSEMBLED UNIT

ITEM	QTY.	PART NO.	DESCRIPTION
8	A/R	101051	NEVER-SEEZ
7	1	70732	TUBE, COPPER, DRAIN VENT
6	1	06233	FITTING, COMP. 3/8 T X 1/8 90°
5	1	105787	FITTING 1/4 H X 1/8 MPT 90°
4	1	06230	FITTING, COMPARTMENT DRAIN
3	1	14555	NOZZLE, SPRAY, 1/8 FULL JET
2	1	02139	BEND, "Y" BLACK
1	1	565191	FITTING, HOSE 1" W/ 1/8" HOLE

TOLERANCES (EXCEPT AS NOTED)		CLEVELAND RANGE INC. 1333 East 179th St. Cleveland, Ohio 44110-2574	
DECIMAL ± N/A	SCALE 1/2" = 1"	DRAWN BY PJD	APPROVED BY
ANGULAR ± N/A	TITLE DRAIN ASSEMBLY, CONVECTION UPPER COMPARTMENT		
CK	DATE 11-01-93	DRAWING NO. B - 106473	REV. A

THIS DESIGN DESCRIBES A PROPRIETARY ITEM AND IS THE PROPERTY OF CLEVELAND RANGE. THIS DRAWING IS NOT TO BE COPIED OR USED WITHOUT THE APPROVAL OF CLEVELAND RANGE.

LET.	REVISIONS	DATE	BY
A	P/N 105787 WAS 06192 PER E.O. #C-2579	02-25-94	PJD



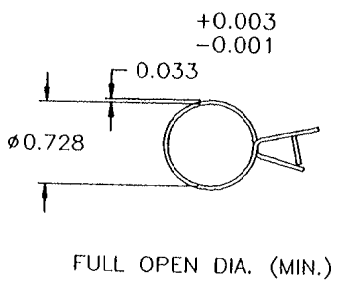
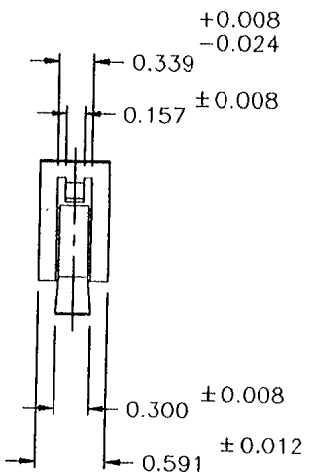
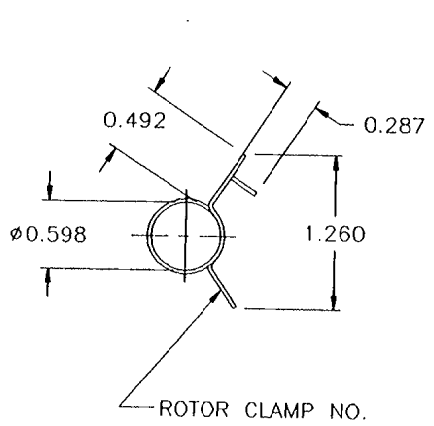
ASSEMBLED UNIT

THIS DESIGN DESCRIBES A PROPRIETARY ITEM AND IS THE PROPERTY OF CLEVELAND RANGE. THIS DRAWING IS NOT TO BE COPIED OR USED WITHOUT THE APPROVAL OF CLEVELAND RANGE.

ITEM	QTY.	PART NO.	DESCRIPTION
9	A/R	101051	NEVER-SEEZ
8	1	70732	FITTING, HOSE 3/8 H X 1/8 MPT, 90°
7	1	06233	FITTING, COMP. 3/8 T X 1/8 90°
6	1	105787	FITTING 1/4 H X 1/8 MPT 90°
5	1	06230	FITTING, COMPARTMENT DRAIN
4	1	14555	NOZZLE, SPRAY, 1/8" FULL JET
3	1	02139	BEND, "Y" BLACK
2	1	05227	ELBOW, STREET 1" X 45° BLACK
1	1	565191	FITTING, HOSE 1" W/ 1/8" HOLE

TOLERANCES (EXCEPT AS NOTED)		CLEVELAND RANGE INC. 1333 East 179th St. Cleveland, Ohio 44110-2574	
DECIMAL ± N/A	SCALE 1/2" = 1"	DRAWN BY PJD	APPROVED BY
ANGULAR ± N/A	TITLE DRAIN ASSEMBLY, CONVECTION LOWER COMPARTMENT		
CK	DATE 11-01-93	DRAWING NO. B - 1064731	REV. A

LET.	REVISIONS	DATE	BY
------	-----------	------	----



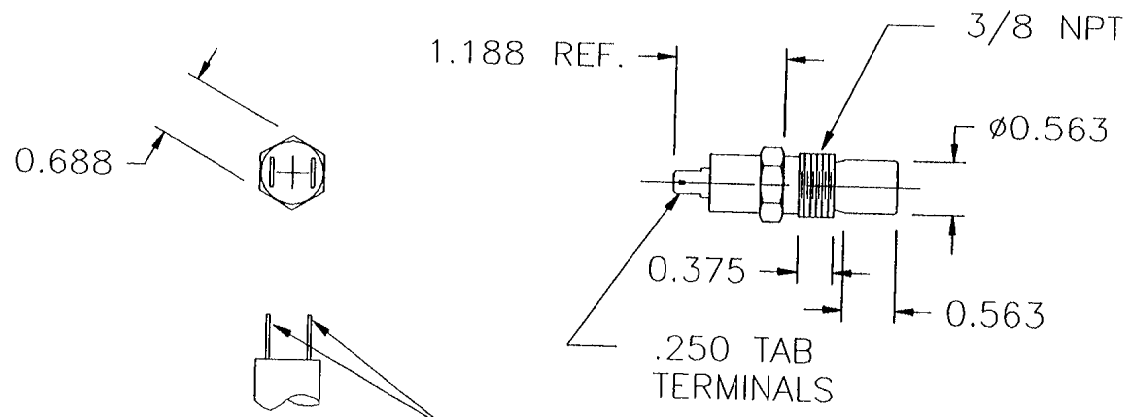
APPROVED SOURCE :  
 ALEXANDER SALES  
 ROTOR CLIP P/N = #CTB-17 ST DB

SPECIFICATIONS :  
 MATERIAL = CHROME VANADIUM STEEL SAE 6150  
 (DIN 17222, JIS G 4802)  
 FINISH = DORRIFLAKE BLACK  
 COLOR = BLACK

THIS DESIGN DESCRIBES A PROPRIETARY ITEM AND IS THE PROPERTY OF CLEVELAND RANGE.  
 THIS DRAWING IS NOT TO BE COPIED OR USED WITHOUT THE APPROVAL OF CLEVELAND RANGE

ITEM	QTY	PART NO.	DESCRIPTION
TOLERANCES (EXCEPT AS NOTED)		<b>CLEVELAND RANGE INC.</b> 1333 East 179th St. Cleveland, Ohio 44110-2574	
DECIMAL ± .030	SCALE 1=1	DRAWN BY PJD	APPROVED BY
ANGULAR ± 1°	TITLE CLAMP, HOSE (5/8" O.D. HOSE) METAL TENSION BAND		
AC	DATE 11/11/01	DRAWING NO. D-107007	REV

LET.	REVISIONS	DATE	BY
A	ADDED APPROVED SOURCE NO. 2	1-03-78	DK
B	1) WAS MODEL NO. 5022-2-181 2) ADDED TO APPROVED SOURCE NO.1	5-06-81	FGF
C	WAS MODEL NO. 08-810211-045 REVISED PER ECN #1017	1-16-85	JM
D	REF: FENWAL INC. ADD: C.S.A. FILE NO. PER ECO #1202	9-30-87	DJP
-	REDRAWN (ACAD), NO CHANGE	10-21-93	CCAD



SPECIFICATIONS:  
 CLOSE ON RISE ~ 193 ± 5°F  
 OPEN ~ 173 ± 7°F  
 UL APPROVED

NOTE:  
 STRAIGHTEN TABS  
 TO ALLOW FOR  
 SOCKET WRENCH.

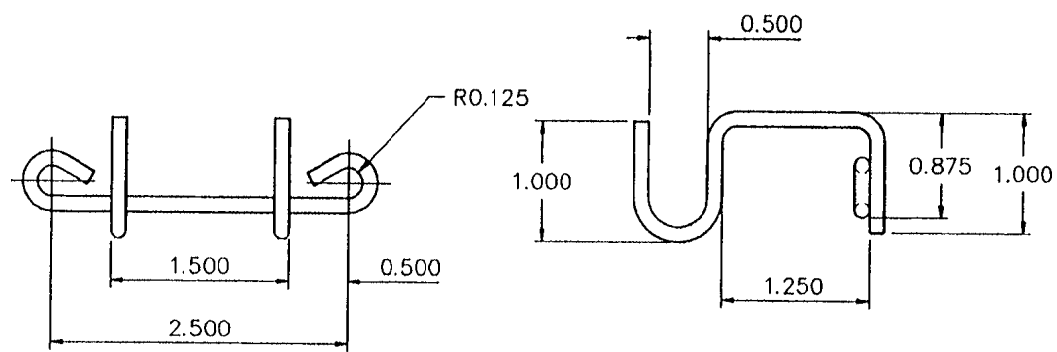
APPROVED SOURCE

- PROTECTIVE CONTROLS INC.  
 MODEL NO. 5100-002-181  
 U.L. FILE NO. E 36687  
 C.S.A FILE NO. LR 25561
- FENWAL INCORPORATED  
 MODEL NO. 08-809004-001  
 U.L. FILE NO. E18974C  
 C.S.A. FILE NO. LR7378-111

THIS DESIGN DESCRIBES A PROPRIETARY ITEM AND IS THE PROPERTY OF CLEVELAND RANGE.  
 THIS DRAWING NOT TO BE COPIED OR USED WITHOUT THE APPROVAL OF CLEVELAND RANGE

ITEM	QTY	PART NO.	DESCRIPTION	
TOLERANCES (EXCEPT AS NOTED)		<b>CLEVELAND RANGE INC.</b> 1333 East 179th St. Cleveland, Ohio 44110-2574		
DECIMAL ± -	SCALE 1=2	DRAWN BY TKB	APPROVED BY	
ANGULAR ± 1°	TITLE <b>THERMAL SWITCH</b>			
AC	DATE 5-29-74	DRAWING NO. A- 19972	REV D	

LET.	REVISIONS	DATE	BY
A	REDESIGNED PER EO C-2579R1.	7-18-94	EJK



MATERIAL: 304 STAINLESS STEEL WIRE  
11 GAGE (.120)

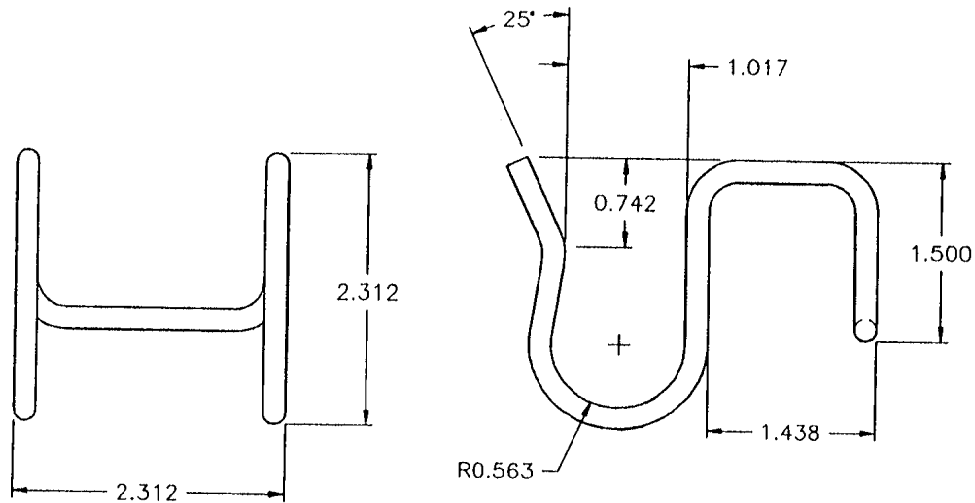
THIS DESIGN DESCRIBES A PROPRIETARY ITEM AND IS THE PROPERTY OF CLEVELAND RANGE.  
THIS DRAWING IS NOT TO BE COPIED OR USED WITHOUT THE APPROVAL OF CLEVELAND RANGE

ITEM	QTY	PART NO.	DESCRIPTION	
TOLERANCES (EXCEPT AS NOTED)		<b>CLEVELAND RANGE INC.</b> 1333 East 179th St. Cleveland, Ohio 44110-2574		
DECIMAL ± .125	SCALE 1=1	DRAWN BY EJK	APPROVED BY	
ANGULAR ± 1°	TITLE BRACKET, WIRE CONDENSER SOL.			
AC	DATE 10-20-92	DRAWING NO. B- 106159	REV A	

NOTES:

1. ALL BEND RADII ARE .25 UNLESS OTHERWISE SPECIFIED.

LET.	REVISIONS	DATE	BY
------	-----------	------	----



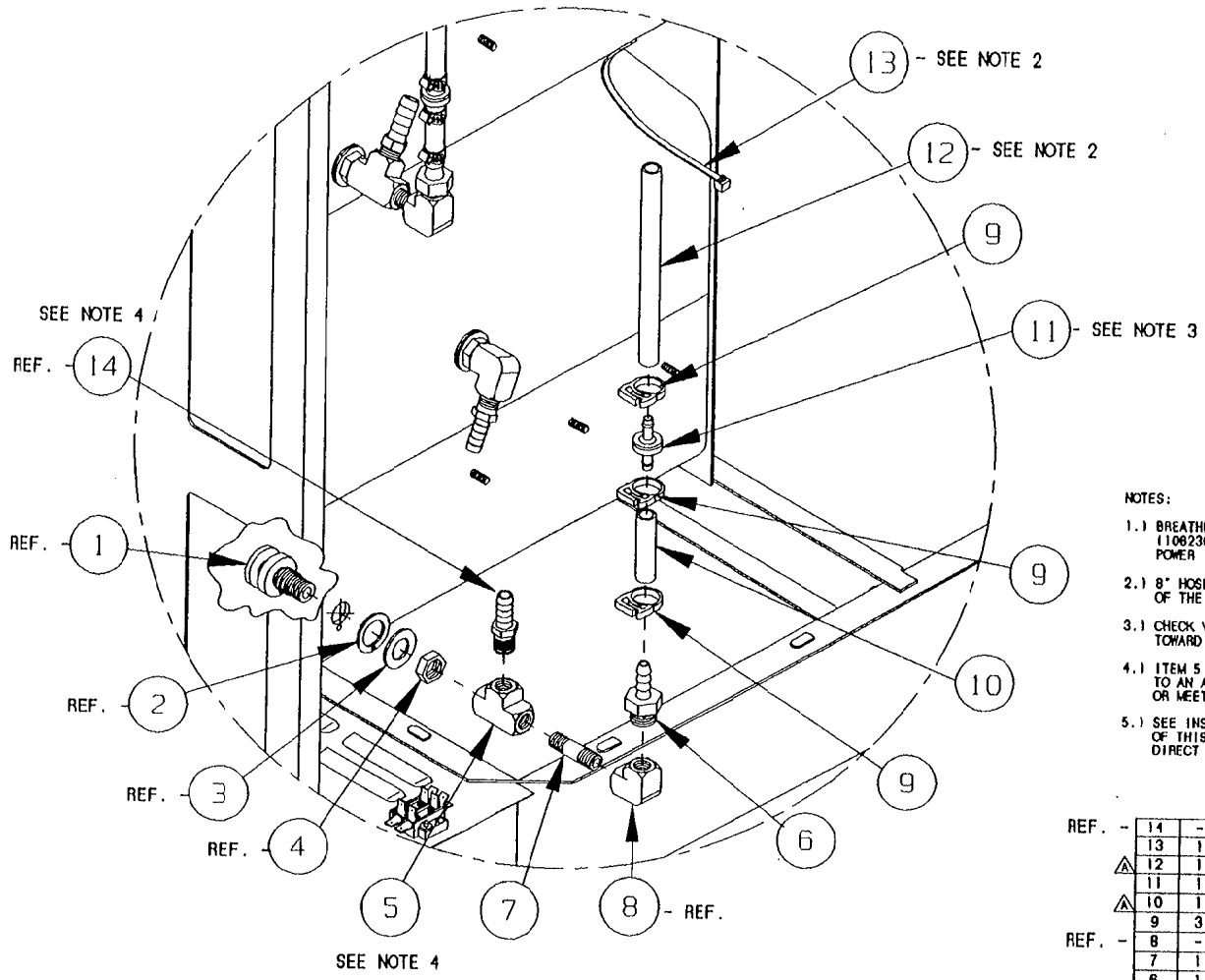
MATERIAL:  
WIRE, STAINLESS STEEL, 304  
3/16 DIA WIRE

ITEM	QTY	PART NO.	DESCRIPTION	
TOLERANCES (EXCEPT AS NOTED)		<b>CLEVELAND RANGE INC.</b> 1333 East 179th St. Cleveland, Ohio 44110-2574		
DECIMAL ± .030	SCALE 1=1	DRAWN BY JPB	APPROVED BY	
ANGULAR ± 1°	TITLE BRACKET, WIRE, VALVE SUPPORT			
AC	DATE 1/10/94	DRAWING NO. B-106752	REV -	

THIS DESIGN DESCRIBES  
THIS DRAWING IS A

PROPRIETARY ITEM AND IS THE PROPERTY OF CLEVELAND RANGE.  
BE COPIED OR USED WITHOUT THE APPROVAL OF CLEVELAND RANGE

LET.	REVISIONS	DATE	BY
A	SEE E.D. #C-2785	12-18-94	PJD



NOTES:

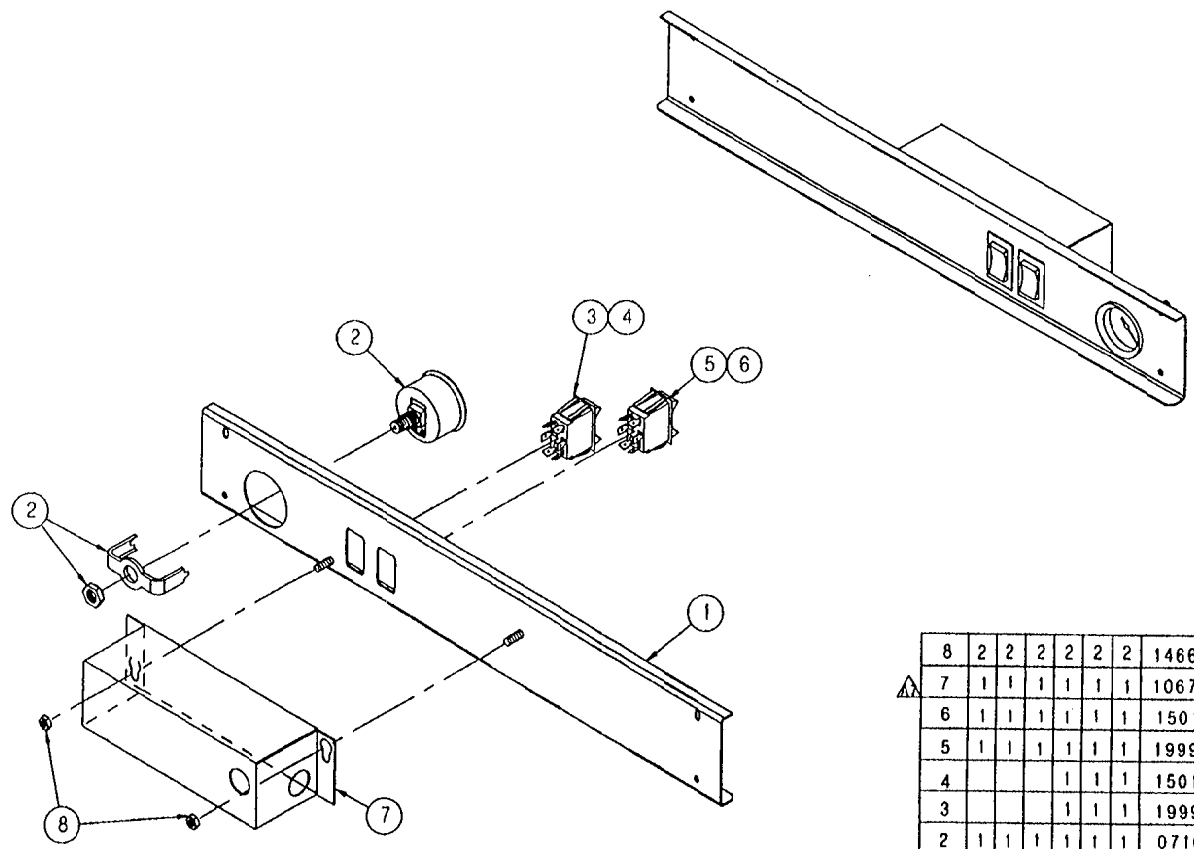
- 1.) BREATHER ASSY. (107059) TO REPLACE ONE SPRAY NOZZLE ASSY. (1108230) ONE PLACE PER CAVITY ON ALL CONVECTION, POWER 10 AND DIRECT CONNECT 10 UNITS.
- 2.) 8" HOSE IS TO BE SECURED WITH NYLON CABLE TO THE HOSE OF THE SPRAY NOZZLE ASSY. DIRECTLY ABOVE THE NEW ASSY.
- 3.) CHECK VALVE - SIDE WHICH READS "VAC" MUST FACE DOWN TOWARD HOSE BARB
- 4.) ITEM 5 (P/N 20199) AND ITEM 14 (P/N 105277) TO BE ROTATED TO AN ANGLE THAT WILL MATCH THE OTHER SPRAY NOZZLES OR MEET A MATING HOSE FITTING
- 5.) SEE INSTRUCTIONAL DRAWING 280ALC1-280ALC3 FOR INSTALLATION OF THIS ASSEMBLY INTO THE CONVECTION, POWER 10 AND DIRECT CONNECT STEAMER UNITS.

REF.	ITEM	QTY.	PART NO.	DESCRIPTION
REF.	14	-	105277	FITTING, 3/8 HOSE X 1/4 MPT
	13	1	20451	TIE, NYLON CABLE
△	12	1	1043790500	HOSE, SILICONE 1/4 ID X 1/2 OD X 5'
	11	1	107032	CHECK VALVE, PLASTIC DIAPHRAGM
△	10	1	1043790300	HOSE, SILICONE 1/4 ID X 1/2 OD X 3'
	9	3	14883	CLAMP, HOSE, NYLON
REF.	8	-	05236	ELBOW, 1/4 X 90°, BRASS
	7	1	14411	NIPPLE, 1/4 X 1.5", BRASS
	6	1	104381	FITTING, 1/4 HOSE X 1/4 MPT
	5	1	20199	TEE, 1/4 BRASS
	4	-	104081	NUT, HEX JAM 5/8-18 BRASS
	3	-	104232	WASHER, FLAT 6/S
REF.	2	-	104082	GASKET, STEAM INJECTOR
	1	-	104009	FITTING ASSY., STEAM SUPPLY
	ITEM	QTY.	PART NO.	DESCRIPTION

TOLERANCES (EXCEPT AS NOTED)			
<b>CLEVELAND RANGE INC.</b> 1333 East 179th St. Cleveland, Ohio 44110-2574			
DECIMAL ± N/A	SCALE 3/16=1	DRAWN BY DUTCHMAN	APPROVED BY
ANGULAR ± N/A	TITLE BREATHER/SPRAY NOZZLE ASSY. (3/8" HOSE) CONVECTION, POWER 10 AND D.C. 10		
CK	DATE 09-15-94	DRAWING NO. C - 107059	REV. A

THIS DESIGN DESCRIBES A PROPRIETARY ITEM AND IS THE PROPERTY OF CLEVELAND RANGE. THIS DRAWING IS NOT TO BE COPIED OR USED WITHOUT THE APPROVAL OF CLEVELAND RANGE.

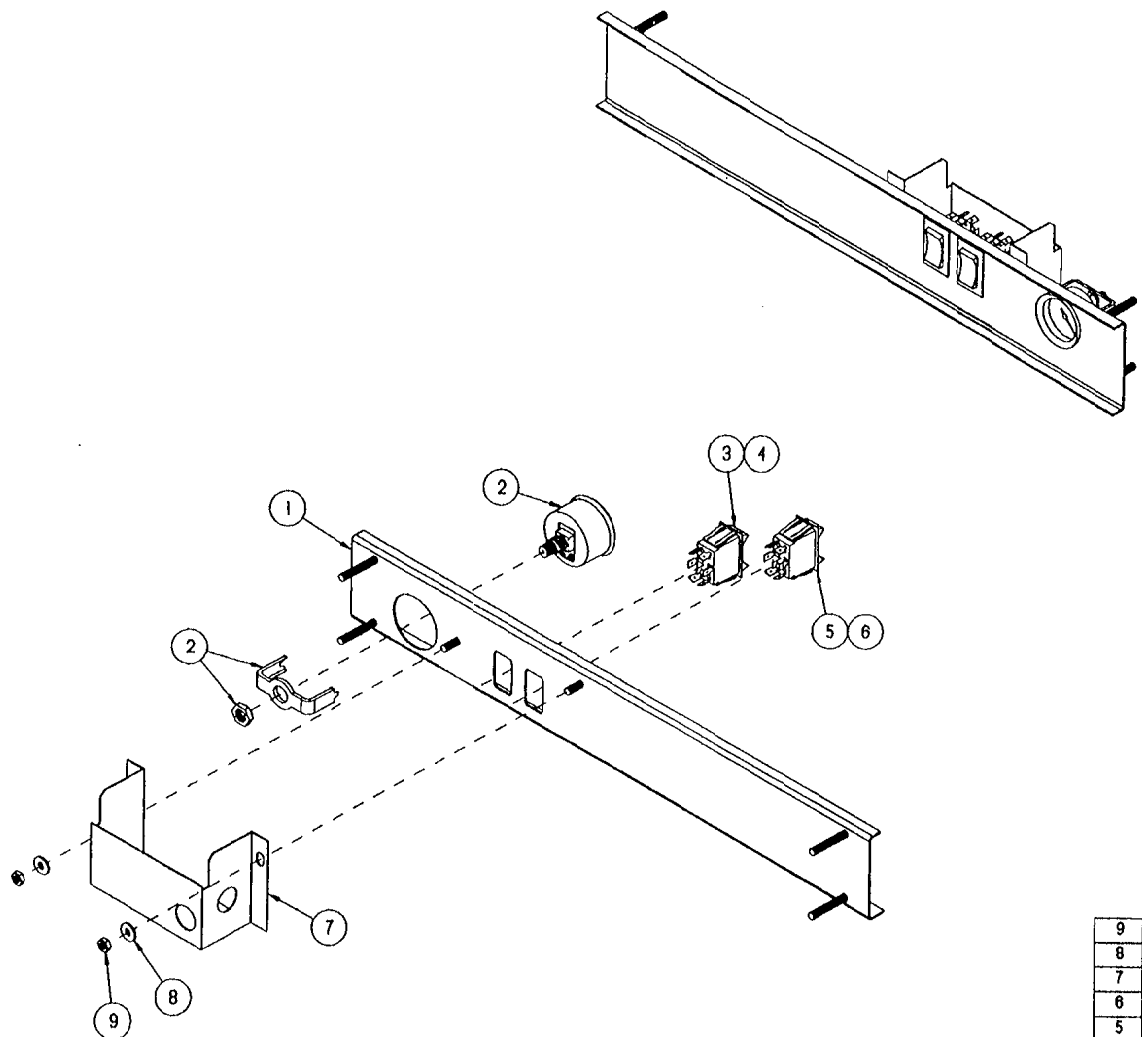
LET	REVISIONS	DATE	BY
A	DELETED P/H 23116. P/H'S REVISED:	05-19-94	EAG
-	1) 105133 WAS 1041543. 2) 105134 WAS		
-	1041544. 3) 105135 WAS 1041545.		
-	4) 1051331 WAS 104154. 5) 1051341 WAS		
-	1041541. 6) 1051351 WAS 1041542.		
-	7) P/H 106740 WAS 105516. E.O. C-2843		



8	2	2	2	2	2	2	2	14665	NUT, HEX LOCK ELASTIC, 1/4-20, S/S
7	1	1	1	1	1	1	1	106740	BOX, SWITCH PROTECTION
6	1	1	1	1	1	1	1	15018	LABEL, POWER, CONSOLE SWITCH
5	1	1	1	1	1	1	1	19993	SWITCH, ROCKER, DPDT, ON-OFF, 6 AMP
4				1	1	1		15019	LABEL, STEAM-CONSOLE SWITCH
3				1	1	1		19994	SWITCH, ROCKER, SPST, 15 AMP
2	1	1	1	1	1	1	1	07168	GAUGE, PRESSURE, BACK MOUNT, 10 PSI
1			1					1051351	CONSOLE STUD ASSY, 1050 MM 1 SWITCH
			1					1051341	CONSOLE STUD ASSY, 900 MM 1 SWITCH
	1							1051331	CONSOLE STUD ASSY, 600 MM 1 SWITCH
						1		105135	CONSOLE STUD ASSY, 1050 MM 2 SWITCH
					1			105134	CONSOLE STUD ASSY, 900 MM 2 SWITCH
				1				105133	CONSOLE STUD ASSY, 600 MM 2 SWITCH
ITEM	QTY.		PART NO.		DESCRIPTION				

104807	1048071	1048072	1048073	1048074	1048075	TOLERANCES (EXCEPT AS NOTED)		CLEVELAND RANGE INC. 1333 East 1791th St. Cleveland, Ohio 44110-2574	
1	1	1	1	1	1	DECIMAL ± N/A	SCALE 3/8	DRAWN BY DUTCHMAN	APPROVED BY
SWITCH CONTROL						ANGULAR ± 1°	TITLE CONSOLE ASSY, 1 & 2 SWITCH CONTROL		
2						DATE 10-08-93	DRAWING NO. C - 104807 TO 16	REV. 5	A

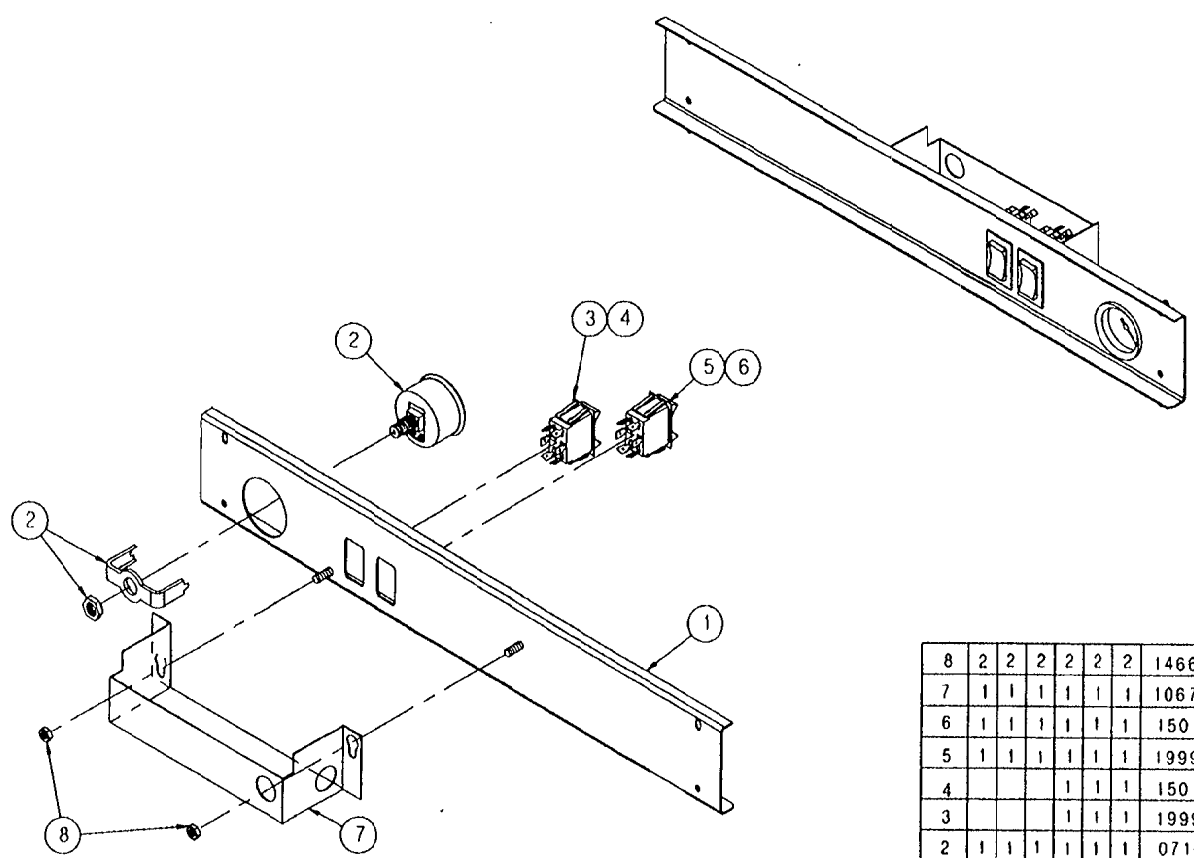
THIS DESIGN DESCRIBES A PROPRIETARY ITEM AND IS THE PROPERTY OF CLEVELAND RANGE. THIS DRAWING IS NOT TO BE COPIED OR USED WITHOUT THE APPROVAL OF CLEVELAND RANGE.



9	2	14665	NUT, HEX LOCK ELASTIC, 1/4-20, S/S
8	2	23118	WASHER, FLAT, 1/4 ID X 5/8 OD X .065
7	1	105516	BOX, SWITCH PROTECTION
6	1	15018	LABEL, POWER, CONSOLE SWITCH
5	1	19993	SWITCH, ROCKER, DPDT, ON-OFF, 8 AMP
4	1	15019	LABEL, STEAM-CONSOLE SWITCH
3	1	19994	SWITCH, ROCKER, SPST, 15 AMP
2	1	07168	GAUGE, PRESSURE, BACK MOUNT, 10 PSI
1	1	1041543	CONSOLE STUD ASSY, 900 MM 2 SWITCH
ITEM	QTY.	PART NO.	DESCRIPTION

<b>CLEVELAND RANGE INC.</b> 1333 East 179th St. Cleveland, Ohio 44110-2574			
TOLERANCES (UNLESS AS NOTED)	SCALE 3/8	DRAWN BY E. GRIVEAS	APPROVED BY NLT
DECIMAL ± N/A	TITLE CONSOLE ASSY, 800 MM, 2 SWITCH CONTROL		
ANGULAR ± 1°	DATE 10-08-93	DRAWING NO. C - 1048073	REV -

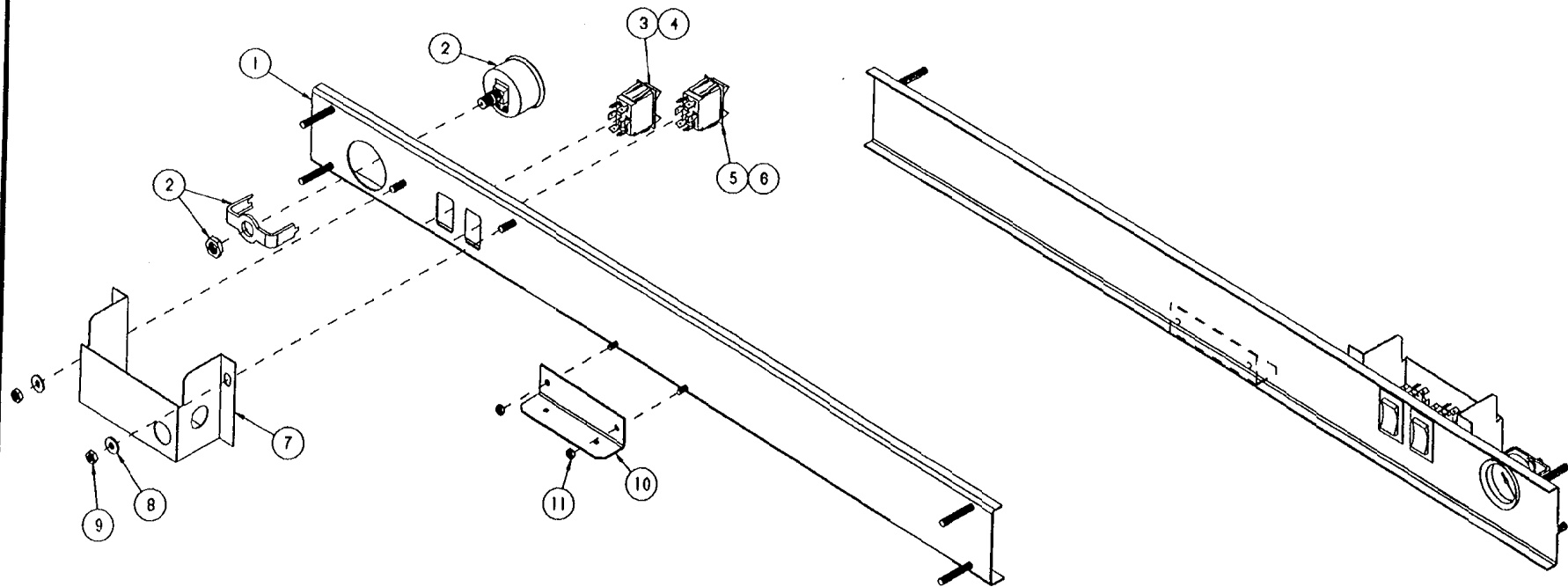
THIS DESIGN DESCRIBES A PROPRIETARY ITEM AND IS THE PROPERTY OF CLEVELAND RANGE. THIS DRAWING IS NOT TO BE COPIED OR USED WITHOUT THE APPROVAL OF CLEVELAND RANGE.



8	2	2	2	2	2	2	14665	NUT, HEX LOCK ELASTIC, 1/4-20, S/S
7	1	1	1	1	1	1	106739	BOX, SWITCH PROTECTION
6	1	1	1	1	1	1	15018	LABEL, POWER, CONSOLE SWITCH
5	1	1	1	1	1	1	19993	SWITCH, ROCKER, OPDT, ON-OFF, 6 AMP
4				1	1	1	15019	LABEL, STEAM-CONSOLE SWITCH
3				1	1	1	19994	SWITCH, ROCKER, SPST, 15 AMP
2	1	1	1	1	1	1	07168	GAUGE, PRESSURE, BACK MOUNT, 10 PSI
1			1				1051351	CONSOLE STUD ASSY, 1050 MM 1 SWITCH
		1					1051341	CONSOLE STUD ASSY, 900 MM 1 SWITCH
	1						1051331	CONSOLE STUD ASSY, 600 MM 1 SWITCH
						1	105135	CONSOLE STUD ASSY, 1050 MM 2 SWITCH
					1		105134	CONSOLE STUD ASSY, 900 MM 2 SWITCH
				1			105133	CONSOLE STUD ASSY, 600 MM 2 SWITCH
ITEM	QTY.						PART NO.	DESCRIPTION

106193	1061931	1061932	1061933	1061934	1061935	<b>CLEVELAND RANGE INC.</b> 1333 East 179th St. Cleveland, Ohio 44110-2574		
TOLERANCES (EXCEPT AS NOTED) DECIMAL ± N/A ANGULAR ± 1°						SCALE 3/8	DRAWN BY E. GRIVEAS	APPROVED BY
1 SWITCH CONTROL 2 SWITCH CONTROL						TITLE CONSOLE ASSY, TABLETOP W/TR 1 & 2 SWITCH CONTROL		
CK						DATE 05-19-34	DRAWING NO. C - 106193 TO 1061935	REV -

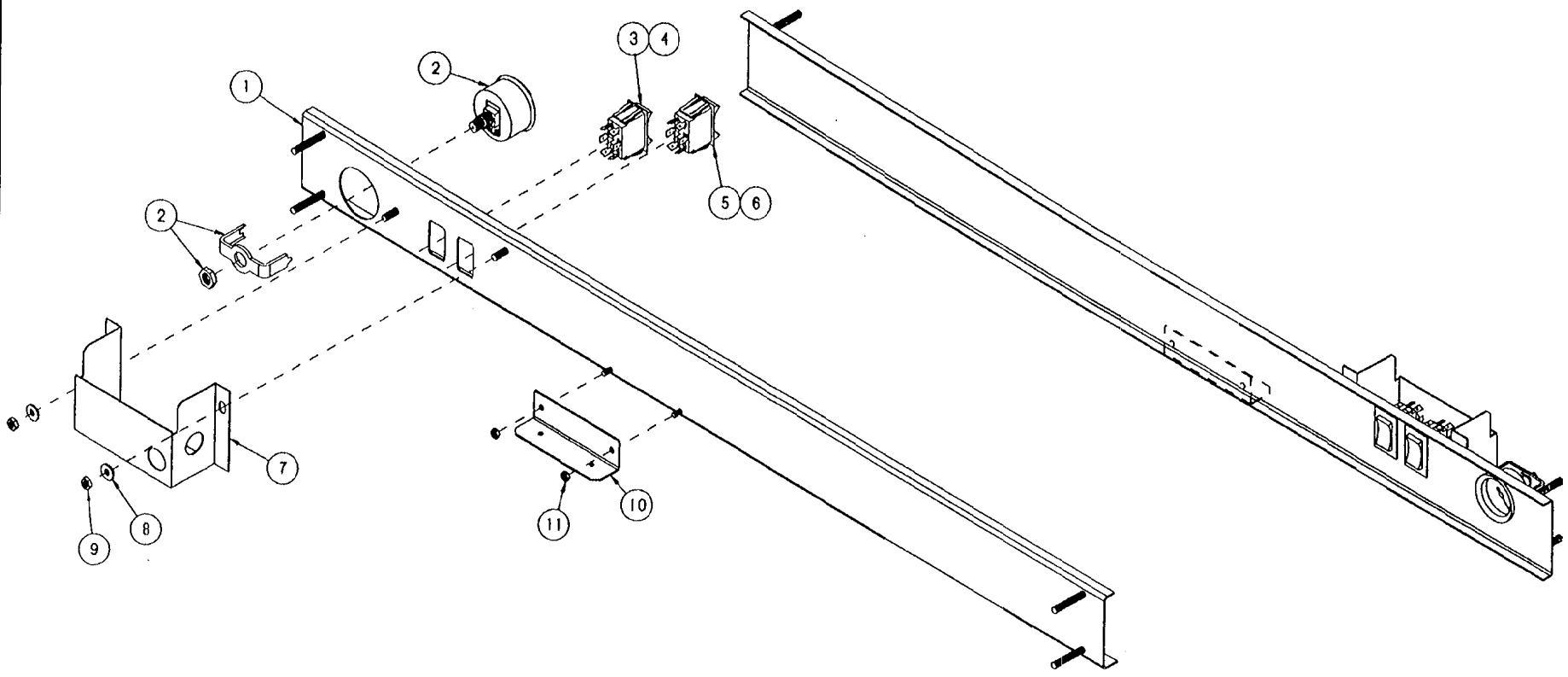
THIS DESIGN DESCRIBED IS THE PROPERTY OF CLEVELAND RANGE AND IS NOT TO BE COPIED OR USED WITHOUT THE APPROVAL OF CLEVELAND RANGE.



11	2	14692	NUT, HEX LOCK ELASTIC, 10-24 ZINC PL
10	1	102535	BRACKET, MAGNET MOUNT
9	2	14665	NUT, HEX LOCK ELASTIC, 1/4-20, S/S
8	2	23116	WASHER, FLAT, 1/4 ID X 5/8 OD X .065
7	1	105516	BOX, SWITCH PROTECTION
6	1	15018	LABEL, POWER, CONSOLE SWITCH
5	1	19993	SWITCH, ROCKER, DPDT, ON-OFF, 8 AMP
4	1	15019	LABEL, STEAM-CONSOLE SWITCH
3	1	19994	SWITCH, ROCKER, SPST, 15 AMP
2	1	0716B	GAUGE, PRESSURE, BACK MOUNT, 10 PSI
1	1	1041544	CONSOLE STUD ASSY, 900 MM 2 SWITCH
ITEM	QTY	PART NO.	DESCRIPTION

<b>CLEVELAND RANGE INC.</b> 1333 East 179th St. Cleveland, Ohio 44110-2574			
TOLERANCES (EXCEPT AS NOTED)	SCALE	DRAWN BY	APPROVED BY
DECIMAL ± N/A	3/8	E. GRIVEAS	NLT
ANGULAR ± 1°	TITLE CONSOLE ASSY, 900 MM, 2 SWITCH CONTROL		
CK	DATE 09-20-93	DRAWING NO. C - 1048074	REV -

THIS DESIGN DESCRIBES A PROPRIETARY ITEM AND IS THE PROPERTY OF CLEVELAND RANGE. THIS DRAWING IS NOT TO BE COPIED OR USED WITHOUT THE APPROVAL OF CLEVELAND RANGE.

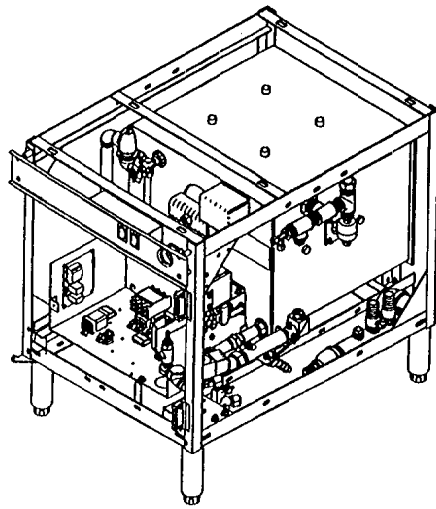


ITEM	QTY.	PART NO.	DESCRIPTION
11	2	14692	NUT, HEX LOCK ELASTIC, 10-24 ZINC PL
10	1	102535	BRACKET, MAGNET MOUNT
9	2	14665	NUT, HEX LOCK ELASTIC, 1/4-20, S/S
8	2	23116	WASHER, FLAT, 1/4 ID X 5/8 OD X .08
7	1	105510	BOX, SWITCH PROTECTION
6	1	15018	LABEL, POWER, CONSOLE SWITCH
5	1	19993	SWITCH, ROCKER, DPDT, ON-OFF, 6 AMP
4	1	15019	LABEL, STEAM-CONSOLE SWITCH
3	1	19994	SWITCH, ROCKER, SPST, 15 AMP
2	1	07168	GAUGE, PRESSURE, BACK MOUNT, 10 PSI
1	1	1041545	CONSOLE STUD ASSY, 1050 MM 2 SWITCH

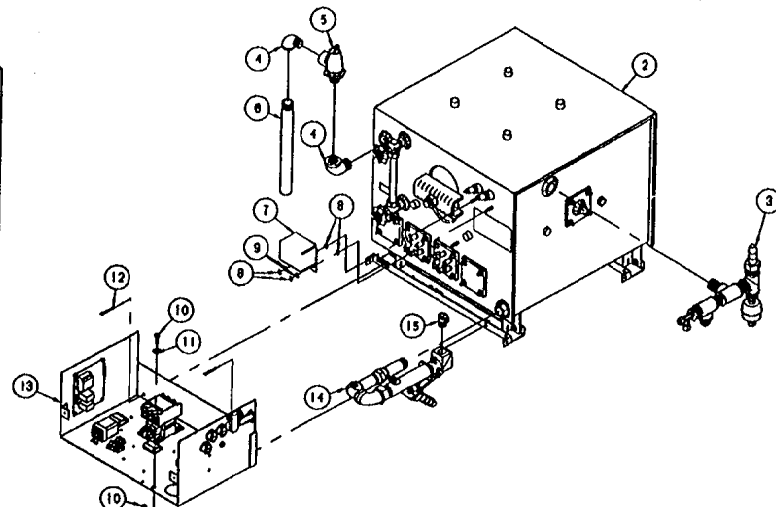
TOLERANCES (EXCEPT AS NOTED)			
<b>CLEVELAND RANGE INC.</b> 1333 East 179th St. Cleveland, Ohio 44110-2574			
DECIMAL ± N/A	SCALE 3/8	DRAWN BY E. GRIVEAS	APPROVED BY MLT
ANGULAR ± 1°			
TITLE CONSOLE ASSY, 1050 MM. 2 SWITCH CONTROL			
CK	DATE 08-17-93	DRAWING NO. C - 1048075	REV -

THIS DESIGN DESCRIBES A PROPRIETARY ITEM AND IS THE PROPERTY OF CLEVELAND RANGE. THIS DRAWING IS NOT TO BE COPIED OR USED WITHOUT THE APPROVAL OF CLEVELAND RANGE.

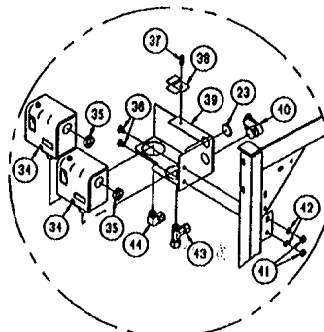
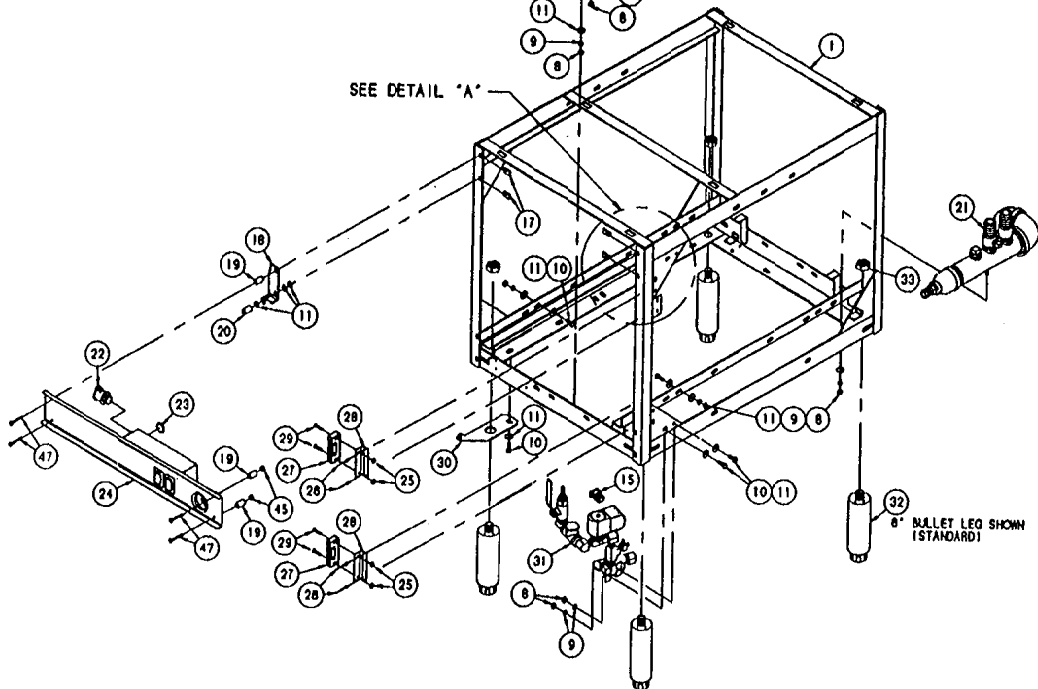
LET.	REVISIONS	DATE	BY
A	ADDED P/N 108898, P/N 23110 WAS	05-23-94	EAG
-	QTY(18), P/N 108899 WAS 14885		
-	PER E.O. #C-2843		



ASSEMBLED VIEW



SEE DETAIL 'A'



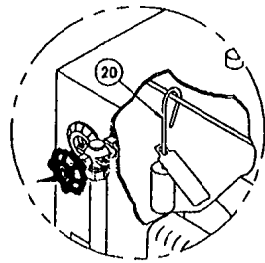
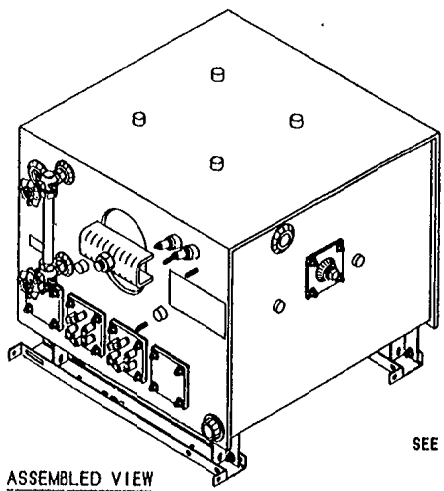
DETAIL A

47	4	108898	SCREW, TRUSS HD, PLPS, 10-24 X 1-1/2
48	A/R	00934	SEALANT, RECTORSAL
45	2	19552	SPACER, .158 LONG
44	1	08198	FITTING, COMP, 3/8 X 1/4 IPT, 90°
43	1	100893	FITTING, COMP TEE 3/8 X 1/4 IPT X 3/4
42	2	23137	WASHER, LOCK INT. TOOTH, 1/4 8/8
41	2	14888	NUT, HEX JAM, 1/4-20, 8/8
40	1	105247	CONNECTOR, 1/2 X 90° SNAP-TITE
39	1	528241	BRACKET, PRESSURE SWITCH, GAS/ELECT
38	1	52499	BRACKET, PRESSURE SWITCH RETAINER
37	1	19146	SCREW, HEX WASHER HEAD, #10 X .5
36	2	19218	SCREW, HEX HEAD, 1/4-20 X .375 8/8
35	2	02599	BUSHING, INSULATING 3/8 X 1/2 HEYCO
34	2	18947	SWITCH, PRESSURE CONTROL
33	4	14888	NUT, HEX JAM 3/4-10 ZINC PLTD
32	4	08158	LEG, BALL ET
31	1	44070	WATER FEED ASSY, REV BEND GEN
30	1	1026892	HINGE, LOWER LEFT HINGE
29	4	19206	SCREW, RD. HEAD 8-32 X 1 ZINC PLTD
28	2	53274	CLIP, MAGNET CATCH 5/8
27	2	03100	CATCH, MAGNETIC
26	A/R	18358	RIVET, 1/8 DIA. FLUSH BREAK 8/8
25	4	14874	NUT, HEX 8-32 ZINC PLATED
24	1	1048073	CONSOLE ASSY, ROOM 2 SWITCH
23	2	19329	PLUG, SNAP-IN 1/2" FOR 1/8" HOLE
22	1	105218	CONNECTOR, GREENFIELD 1/2 STRAIGHT
21	1	42749	DRAIN ASSEMBLY
20	1	195552	SPACER
19	3	19553	SPACER
18	1	412182	BRACKET, ASS'Y, TOP HINGE, L.S.
17	4	108899	NUT, SLIP ON, 10-24, TINNEMAN
16	1	52529	BRACKET, MOUNTING, ELECTRIC BOX
15	2	105219	CONNECTOR, GREENFIELD 3/8 STRAIGHT
14	1	40889	BLOWDOWN ASSY, 24CWM, ELECTRIC 'J'
13	1	NFX001	ELECTRIC BOX ASSEMBLY
12	2	19292	SCREW, ROUND HEAD, SLTD 1/4-20 X 1"
11	12	23110	WASHER, FLAT 1/4 X 5/8 X .085
10	7	19280	SCREW, HEX HEAD, 1/4-20 X 3/4
9	9	23103	WASHER, LOCK 1/4 KATLINK STYLE
8	11	14818	NUT, HEX 1/4-20 8/8
7	1	52303	BOX, PROBE COVER, 2 PROBES, A.C.S.
6	1	14487	NIFFLE, T.O.E., 3/4" X 8", BLACK
5	1	22131	VALVE, SAFETY, 3/4" IS PBI, BRONZE
4	2	03259	ELBOW, STREET, 3/4", 90° BLACK
3	1	428124	STEAM OUTLET ASSEMBLY
-	-	408201W1	ELECT GENERATOR W/REF PARTS 4 HEAT
2	-	408201W3	ELECT GENERATOR W/REF PARTS 3 HEAT
-	-	408201W2	ELECT GENERATOR W/REF PARTS 2 HEAT
-	-	411121	BASE, WELDMENT, 800MM, A.C.S.
1	-	41112	BASE WELDMENT, 800MM, 8/8

ITEM	QTY.	PART NO.	DESCRIPTION
<b>CLEVELAND RANGE INC.</b>			
1333 East 179th St., Cleveland, Ohio 44110-3574			
DECIMAL	SCALE	DRAWN BY	APPROVED BY
± N/A	1/8"=1"	E. GRIEYAS	M.T.
ANGULAR	TITLE	BASE ASSEMBLY, ELECTRIC GENERATOR	
± N/A		800MM, 24KW/38KW/48KW	
CK	DATE	DRAWING NO.	REV.
	10-08-93	C - DFD0001	A

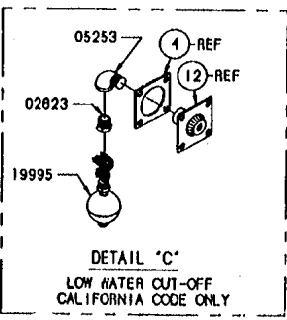
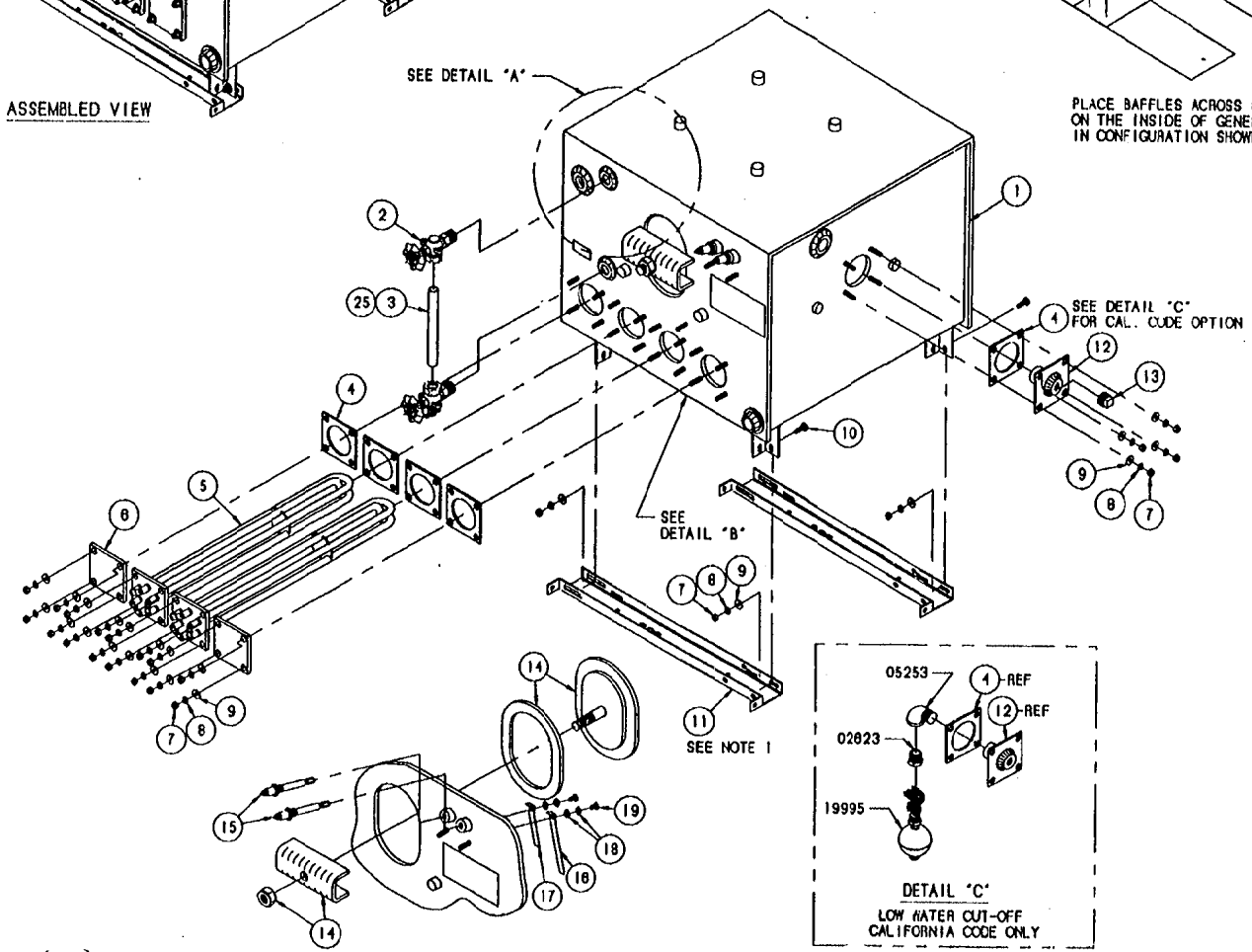
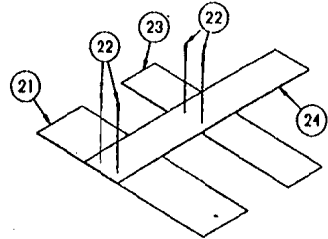
THIS DESIGN DESCRIBES A PROPRIETARY ITEM AND IS THE PROPERTY OF CLEVELAND RANGE. THIS DRAWING IS NOT TO BE COPIED OR USED WITHOUT THE APPROVAL OF CLEVELAND RANGE.

NEXT ASS'Y: DFD0014



INSTALL ITEM 20 AS SHOWN INSIDE GENERATOR

- NOTES:
1. CHANNEL SUPPORT SHOWN (P/N 89966) IS USED ON 800MM BASE. CHANNEL SUPPORT NOT SHOWN (P/N 89967) IS USED ON 900 & 1050MM BASES.
  2. 9KW HEATER IS RED LOBSTER UNITS ONLY.



ITEM	QTY	PART NO.	DESCRIPTION
25	A/R	00934	SEALANT, RECTORSEAL
24	1	52165	BAFFLE, KEEPER, ELECTRIC BOILER
23	1	102384	BAFFLE, CENTER, ELECTRIC STEAM GEN
22	4	18328	PIN, COTTER, 1/16 X 1, BRASS
21	1	52165	BAFFLE, FRONT, ELECTRIC BOILER
20	1	43895	ANODE ASSM CORROSION PREVENTATIVE
19	2	19218	SCREW, HEX HEAD, 1/4-20 X 3/8 S/S
18	4	23151	WASHER, INTERNAL TOOTH LOCK, 1/4
17	1	82452	EXTENSION, WATER PROBE 1/2 X 3-1/8
16	1	82453	EXTENSION, WATER PROBE 1/2 X 4-5/8
15	2	16871	PROBE WARRICK, 4-5/16" LG
14	1	40121	HAND HOLD PLATE & BAR ASSEMBLY
13	1	16802	PLUG, SQUARE 1/2 PIPE, BLACK
12	1	41943	PLATE, MOUNTING
11	-	89966	SUPPORT, GEN MTO CHANNEL 800MM S/S
11	-	89967	SUPPORT, GEN MTO CHANNEL 900/1050MM
10	4	19288	SCREW, HEX HEAD, 1/4-20 X 3/4
9	24	23110	WASHER, FLAT, 1/4 S/S
8	24	23105	WASHER, LOCK MED. PAT., 1/4" S/S
7	24	14616	NUT, HEX, 1/4-20, S/S
6	2	16546	PLATE, BLOCK-OFF
2	2	08244	HEATER, 9 KW, 600 V, 1 PHASE
2	2	08243	HEATER, 9 KW, 440/480 V, 1 PHASE
2	2	08242	HEATER, 9 KW, 220/240 V, 1 PHASE
2	2	08241	HEATER, 9 KW, 208 V, 1 PHASE
2	2	08237	HEATER, 9 KW, 440/480 V, 3 PHASE
2	2	08236	HEATER, 9 KW, 220/240 V, 3 PHASE
2	2	08235	HEATER, 9 KW, 208 V, 3 PHASE
2	2	08234	HEATER, 9 KW, 600 V, 3 PHASE
2	2	08216	HEATER, 12 KW, 440/480 V, 1 PHASE
2	2	08215	HEATER, 12 KW, 230/240 V, 1 PHASE
2	2	08214	HEATER, 12 KW, 208/220 V, 1 PHASE
2	2	08197	HEATER, 12 KW, 220/380 V, 3 PHASE
2	2	08167	HEATER, 12 KW, 440, 480 V, 3 PHASE
2	2	08166	HEATER, 12 KW, 230/240 V, 3 PHASE
2	2	08165	HEATER, 12 KW, 208 V, 3 PHASE
2	2	08164	HEATER, 12 KW, 575 V, 3 PHASE
2	2	08163	HEATER, 12 KW, 600 V, 3 PHASE
2	2	08137	HEATER, 9 KW, 240/360 V, 3 PHASE
2	2	08156	HEATER, 9 KW, 240/415 V, 3 PHASE
2	2	08135	HEATER, 12 KW, 240/415 V, 3 PHASE
4	5	07126	GASKET, HEATER
3	1	07302	GAUGE, WATER, 5/8 X 8, GLASS
2	1	07176	GAUGE, FITTINGS, WATER, 1/2"
1	1	408201	GENERATOR, ASSY 2 PROBE ELECT

THIS DESIGN IS A PROPRIETARY ITEM OF CLEVELAND RANGE AND IS THE PROPERTY OF CLEVELAND RANGE. IT IS NOT TO BE COPIED OR USED WITHOUT THE APPROVAL OF CLEVELAND RANGE.

DETAIL "B"

NEXT ASS'Y: DFD0001  
DFE0002  
DFF0003

TOLERANCES (UNLESS OTHERWISE SPECIFIED)

DECIMAL ± N/A  
ANGULAR ± N/A

SCALE: 3/16"=1"

TITLE: ELECTRIC GENERATOR SEMBLER

DATE: 10-08-93

DRAWING NO.: C - 408201W2

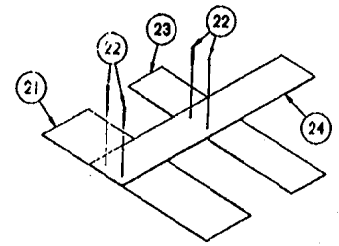
REV: -

CLEVELAND RANGE INC.  
1533 East 179th St., Cleveland, Ohio 44110-2571

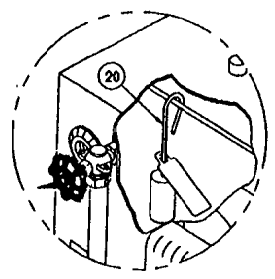
DRAWN BY: E. GRIVETT  
APPROVED BY:

LET.	REVISIONS	DATE	BY

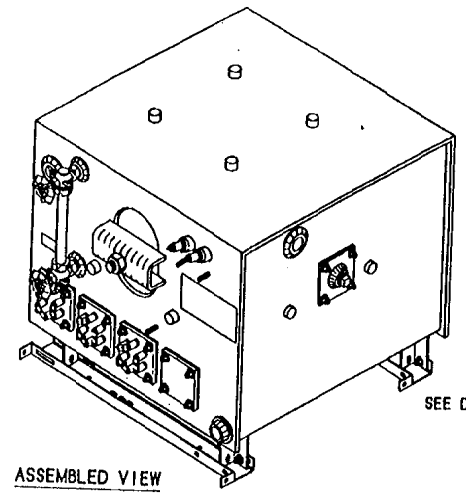
NOTES:  
 1. CHANNEL SUPPORT SHOWN (P/N 89988) IS USED ON 600MM BASE. CHANNEL SUPPORT NOT SHOWN (P/N 89987) IS USED ON 900 & 1030MM BASES.



PLACE BAFFLES ACROSS RODS ON THE INSIDE OF GENERATOR IN CONFIGURATION SHOWN

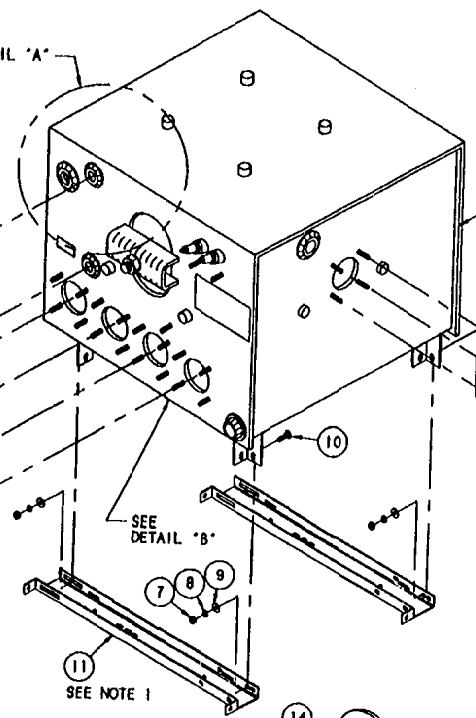


DETAIL "A"  
 INSTALL ITEM 20 AS SHOWN INSIDE GENERATOR



ASSEMBLED VIEW

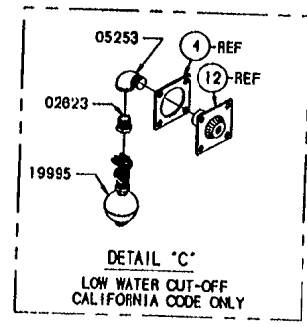
SEE DETAIL "A"



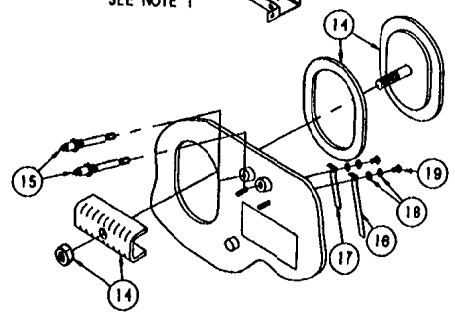
SEE DETAIL "C" FOR CAL. CODE OPTION

SEE DETAIL "B"

SEE NOTE 1



DETAIL "C"  
 LOW WATER CUT-OFF CALIFORNIA CODE ONLY



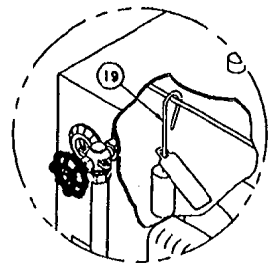
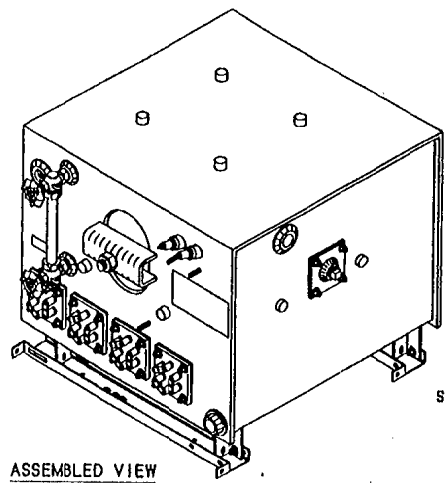
DETAIL "B"

ITEM	QTY	PART NO.	DESCRIPTION
25	1	00934	SEALANT, RECTORSEAL
24	1	52185	BAFFLE, KEEPER, ELECTRIC BOILER
23	1	102384	BAFFLE, CENTER, ELECTRIC STEAM GEN
22	4	18328	PIN, COTTER, 1/18 X 1, BRASS
21	1	52185	BAFFLE, FRONT, ELECTRIC BOILER
20	1	43895	ANODE ASSM CORROSION PREVENTATIVE
19	2	19218	SCREW, HEX HEAD, 1/4-20 X 3/8 S/S
18	4	23151	WASHER, INTERNAL TOOTH LOCK, 1/4
17	1	82452	EXTENSION, WATER PROBE 1/2 X 3-1/8
16	1	82453	EXTENSION, WATER PROBE 1/2 X 4-5/8
15	2	16871	PROBE WARRICK, 4-5/16" LG
14	1	40421	HAND HOLD PLATE & BAR ASSEMBLY
13	1	16802	PLUG, SQUARE 1/2 PIPE, BLACK
12	1	41943	PLATE, MOUNTING
11	-	89988	SUPPORT, GEN MTG CHANNEL 600MM S/S
10	-	89987	SUPPORT, GEN MTG CHANNEL 900/1030MM
9	4	19288	SCREW, HEX HEAD, 1/4-20 X 3/4
8	24	23116	WASHER, FLAT, 1/4 S/S
7	24	23105	WASHER, LOCK MED. PAT., 1/4" S/S
6	24	14818	NUT, HEX, 1/4-20, S/S
5	1	18546	PLATE, BLOCK-OFF
3	3	08197	HEATER, 12 KW, 220/380 V, 3 PHASE
3	3	08167	HEATER, 12 KW, 440, 480 V, 3 PHASE
3	3	08188	HEATER, 12 KW, 230/240 V, 3 PHASE
3	3	08185	HEATER, 12 KW, 208 V, 3 PHASE
3	3	08183	HEATER, 12 KW, 800 V, 3 PHASE
3	3	08155	HEATER, 12 KW, 240/415 V, 3 PHASE
4	5	07128	GASKET, HEATER
3	1	07302	GAUGE, WATER, 5/8 X 8, GLASS
2	1	07176	GAUGE, FITTINGS, WATER, 1/2"
1	1	40820	GENERATOR, ASSY 2 PROBE ELECT

THIS DESIGN DESCRIBES A PROPRIETARY ITEM AND IS THE PROPERTY OF CLEVELAND RANGE. THIS DRAWING IS NOT TO BE COPIED OR USED WITHOUT THE APPROVAL OF CLEVELAND RANGE.

NEXT ASS'Y: DFD0001  
 DFE0002  
 DFF0003

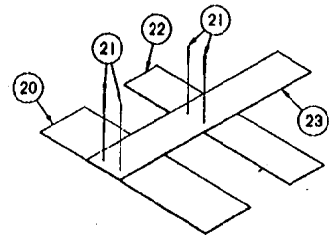
TOLERANCES (UNLESS AS NOTED)		CLEVELAND RANGE INC.	
DECIMAL	3/16±	1323 East 178th St. Cleveland, Ohio 44110-2374	
INCHES	N/A	DRAWN BY	E. GRIVEAS
APPROVED BY		TITLE	ELECTRIC GENERATOR ASSEMBLY
			2 PROBE, 3 HEATER
DATE	10-08-93	DRAWING NO.	C - 408201WR



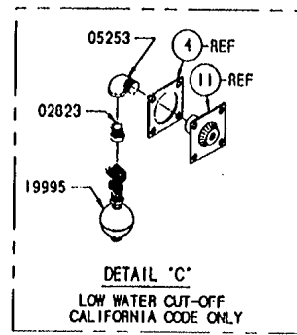
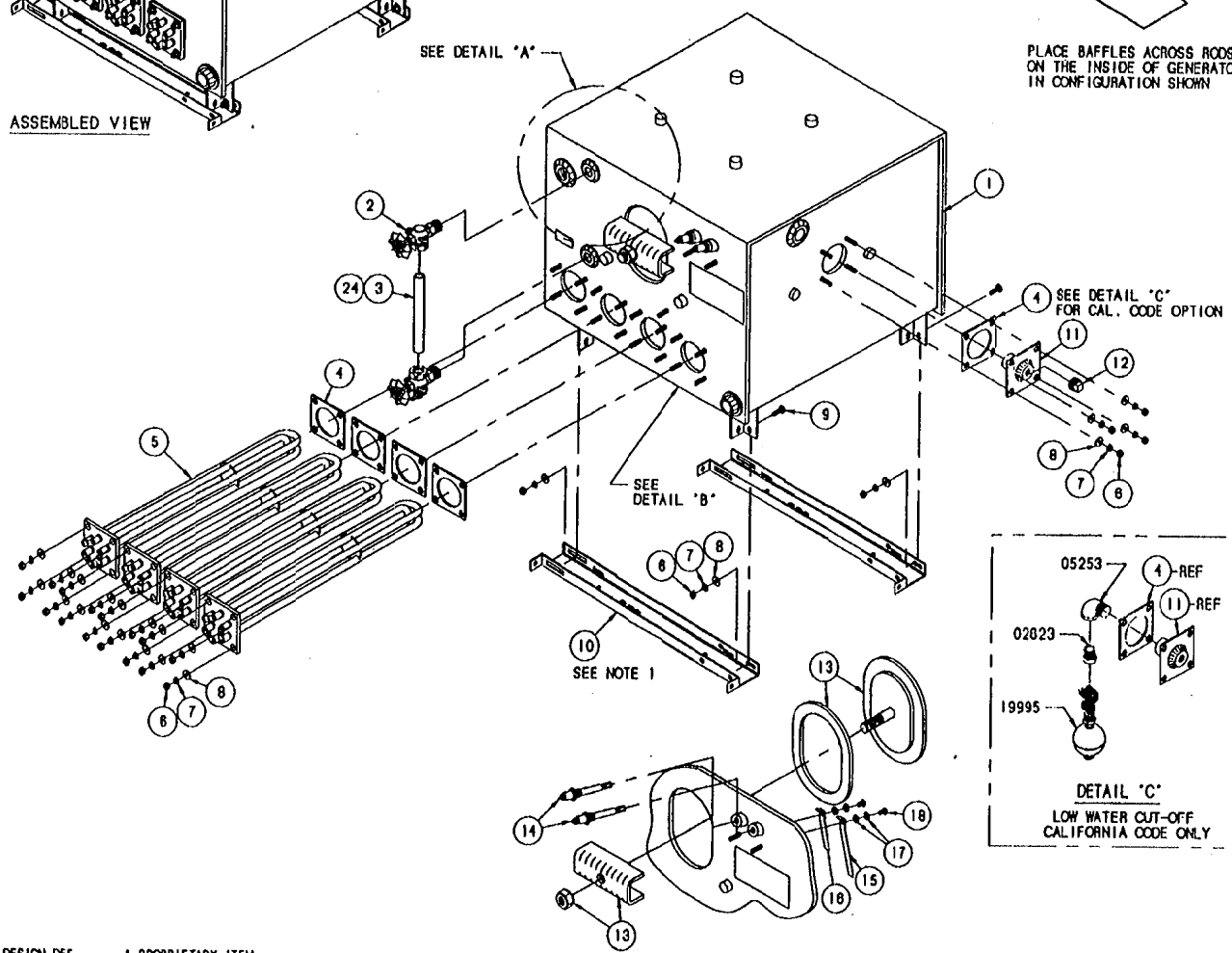
INSTALL ITEM 20 AS SHOWN  
INSIDE GENERATOR

NOTES:

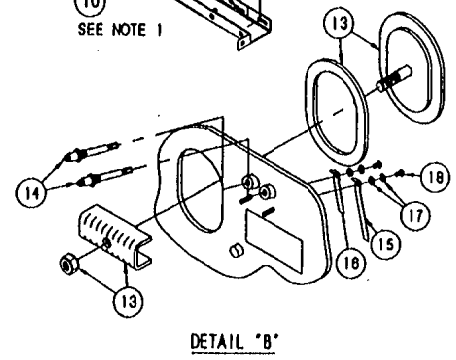
1. CHANNEL SUPPORT SHOWN (P/N 69986) IS USED ON 600MM BASE. CHANNEL SUPPORT NOT SHOWN (P/N 69987) IS USED ON 900 & 1050MM BASES.



PLACE BAFFLES ACROSS RODS ON THE INSIDE OF GENERATOR IN CONFIGURATION SHOWN



ITEM	QTY	PART NO.	DESCRIPTION
24	1	00934	SEALANT, RECTORSEAL
23	1	52165	BAFFLE, KEEPER, ELECTRIC BOILER
22	1	107384	BAFFLE, CENTER, ELECTRIC STEAM GEN
21	4	16328	PIN, COTTER, 1/16 X 1, BRASS
20	1	52165	BAFFLE, FRONT, ELECTRIC BOILER
19	1	43895	ANODE ASSM CORROSION PREVENTATIVE
18	2	19218	SCREW, HEX HEAD, 1/4-20 X 3/8 S/S
17	4	29151	WASHER, INTERNAL TOOTH LOCK, 1/4
16	1	62452	EXTENSION, WATER PROBE 1/2 X 3-1/8
15	1	62453	EXTENSION, WATER PROBE 1/2 X 4-5/8
14	2	16871	PROBE WARRICK, 4-5/16" LG
13	1	40421	HAND HOLD PLATE & BAR ASSEMBLY
12	1	16860	PLUG, SQUARE 1/2 PIPE, BLACK
11	1	41943	PLATE, MOUNTING
10	-	69987	SUPPORT, GEN MTG CHANNEL 600MM S/S
9	4	19288	SCREW, HEX HEAD, 1/4-20 X 3/4
8	24	23116	WASHER, FLAT, 1/4 S/S
7	24	23105	WASHER, LOCK MED. PAT., 1/4" S/S
6	24	14618	NUT, HEX, 1/4-20, S/S
5	1	08197	HEATER, 12 KW, 220/380 V, 3 PHASE
4	1	08167	HEATER, 12 KW, 440/480 V, 3 PHASE
4	1	08168	HEATER, 12 KW, 230/240 V, 3 PHASE
4	1	08185	HEATER, 12 KW, 208 V, 3 PHASE
4	1	08184	HEATER, 12 KW, 575 V, 3 PHASE
4	1	08183	HEATER, 12 KW, 600 V, 3 PHASE
4	1	08155	HEATER, 12 KW, 240/415 V, 3 PHASE
4	5	07128	GASKET, HEATER
3	1	07302	GAUGE, WATER, 5/8 X 6, GLASS
2	1	07176	GAUGE, FITTINGS, WATER, 1/2"
1	1	408201	GENERATOR, ASSY 2 PROBE ELECT



THIS DESIGN IS THE PROPERTY OF CLEVELAND RANGE. IT IS THE PROPERTY OF CLEVELAND RANGE. THIS DRAWING IS NOT TO BE COPIED OR USED WITHOUT THE APPROVAL OF CLEVELAND RANGE.

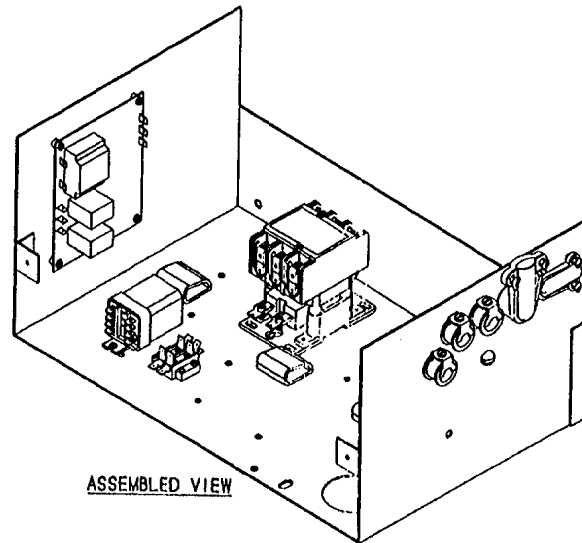
NEXT ASS'Y: DFD0001  
DFE0002  
DFP0003

CLEVELAND RANGE INC. 1333 East 178th St. Cleveland, Ohio 44110-2574			
DECIMAL # N/A	SCALE 3/16=1	DRAWN BY E. GRIVEAS	APPROVED BY
AREA/AN # N/A	TITLE ELECTRIC GENERA 2 PROBE, 4 I	WBLV	
DATE 10-06-93	DRAWING NO. C - 408201W4	REV	

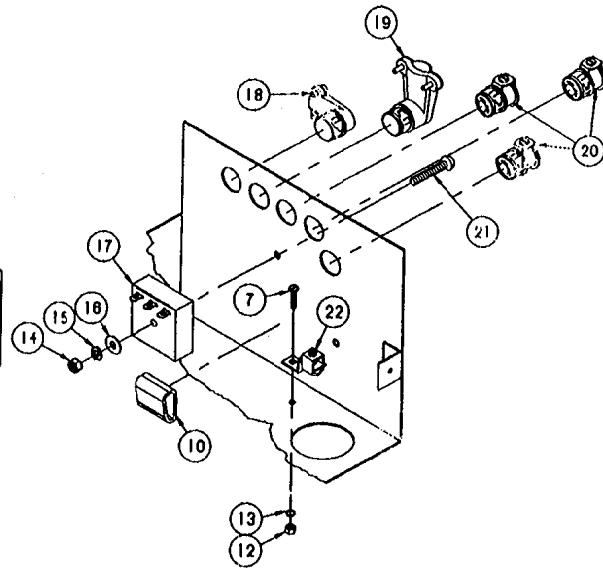
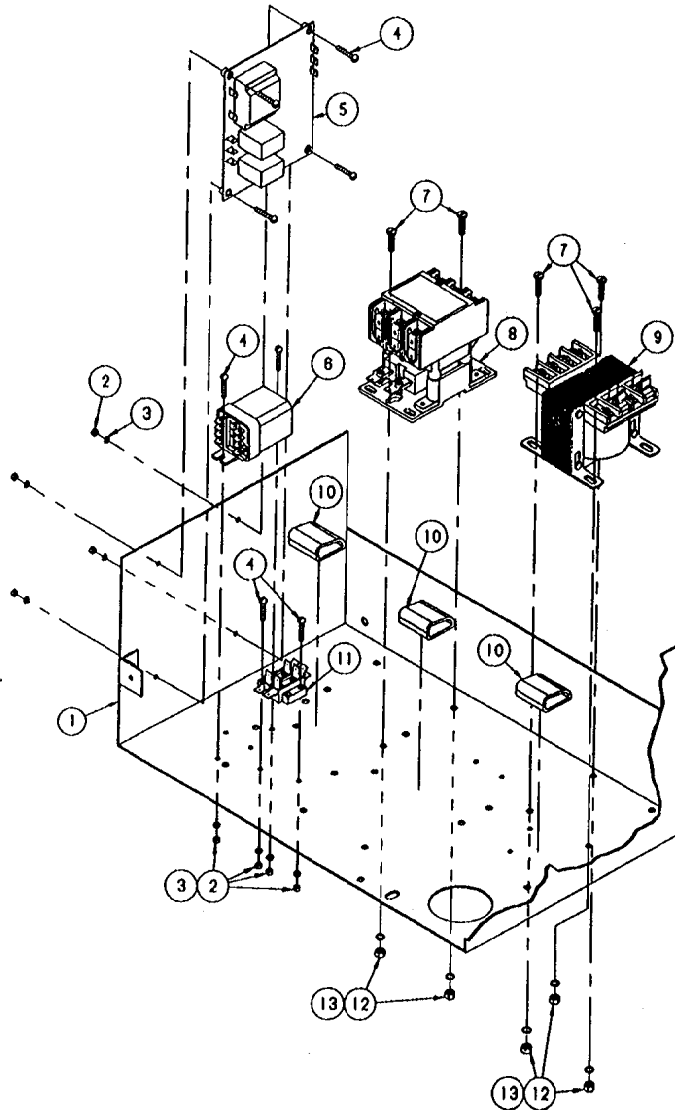
NOTE:

1. THIS DRAWING REFLECTS MOST COMMON CONFIGURATION OF ELECTRICAL BOX (24KW20BV).
2. REFER TO DWG. NFX0002 FOR ELECTRIC BOX W/INTERMITTENT BLOWDOWN.

LET.	REVISIONS	DATE	BY
------	-----------	------	----



ASSEMBLED VIEW



INTERIOR RIGHT SIDE VIEW OF ELECTRICAL BOX, ROTATED 90°

ITEM	QTY.	PART NO.	DESCRIPTION
22	1	12331	LUG, GROUND, SOLDERLESS, FOR 2-GA. WIRE
21	1	19285	SCREW, ROUND HEAD, 1/4-20 X 1-1/2, S/S
20	3	105243	CONNECTOR, GREENFIELD 3/8" STRAIGHT
19	1	105247	CONNECTOR, GREENFIELD 1/2 X 90°SNAPTITE
18	1	105245	CONNECTOR, GREENFIELD 3/8 X 90°SNAPTITE
17	1	20478	TIMER, SOLID STATE INTERVAL 3 MINUTE
16	1	23116	WASHER, FLAT, 1/4" ID X .085 THK
15	1	23137	WASHER, LOCK, INT. TOOTH, 1/4", S/S
14	1	14818	NUT, HEX, 1/4-20, S/S, FULL FINISHED
13	8	23114	WASHER, LOCK INT. TOOTH #10 TYPE A OR B
12	8	14854	NUT, HEX #10-24 STEEL
11	1	44188	TERMINAL BLOCK ASM, 2 POLE
10	4	23432	CLIP, MOUNTING, WIRE/CABLE, 1.25 X 1.50
9	1	20535	TRANSFORMER, 150VA
8	1	03508	CONTACTOR, 3 POLE, 75 AMP, 208/204V
7	5	19287	SCREW, PAN HEAD, 10-24 X .50", S/S
6	1	108581	RELAY, 120V, ELECTRIC GENERATOR
5	1	23198	CONTROL, WATER LEVEL
4	8	19183	SCREW, ROUND HEAD SLTD, 8-32 X .75
3	8	23111	WASHER, LOCK, INT. TOOTH #6 ZINC PLTD
2	8	14874	NUT, HEX, 8-32, ZINC PLTD
1	1	40937	BOX, WELDMENT, ELECTRIC

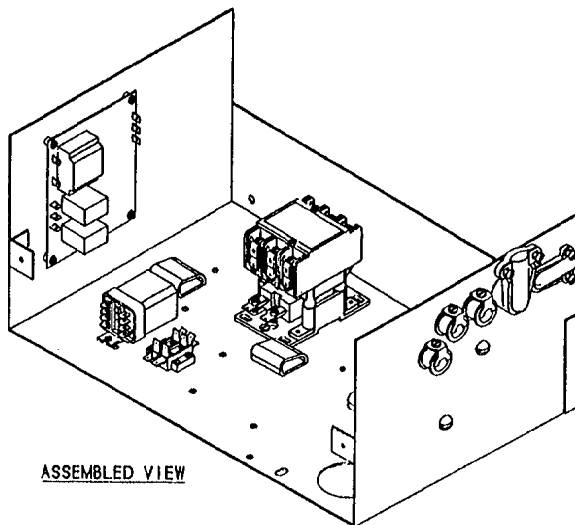
TOLERANCES (EXCEPT AS NOTED)		CLEVELAND RANGE INC. 1333 East 179th St. Cleveland, Ohio 44110-2574	
DECIMAL	SCALE	DRAWN BY	APPROVED BY
± N/A	3/8=1	E. GRIVEAS	MLT
ANGULAR	TITLE	ELECTRIC BOX ASSEMBLY ELECTRIC GENERATOR	
± N/A	DATE	DRAWING NO.	REV.
CK	02-10-94	C - NFX0001	

THIS DESIGN DESCRIBES A PROPRIETARY ITEM AND IS THE PROPERTY OF CLEVELAND RANGE. THIS DRAWING IS NOT TO BE COPIED OR USED WITHOUT THE APPROVAL OF CLEVELAND RANGE.

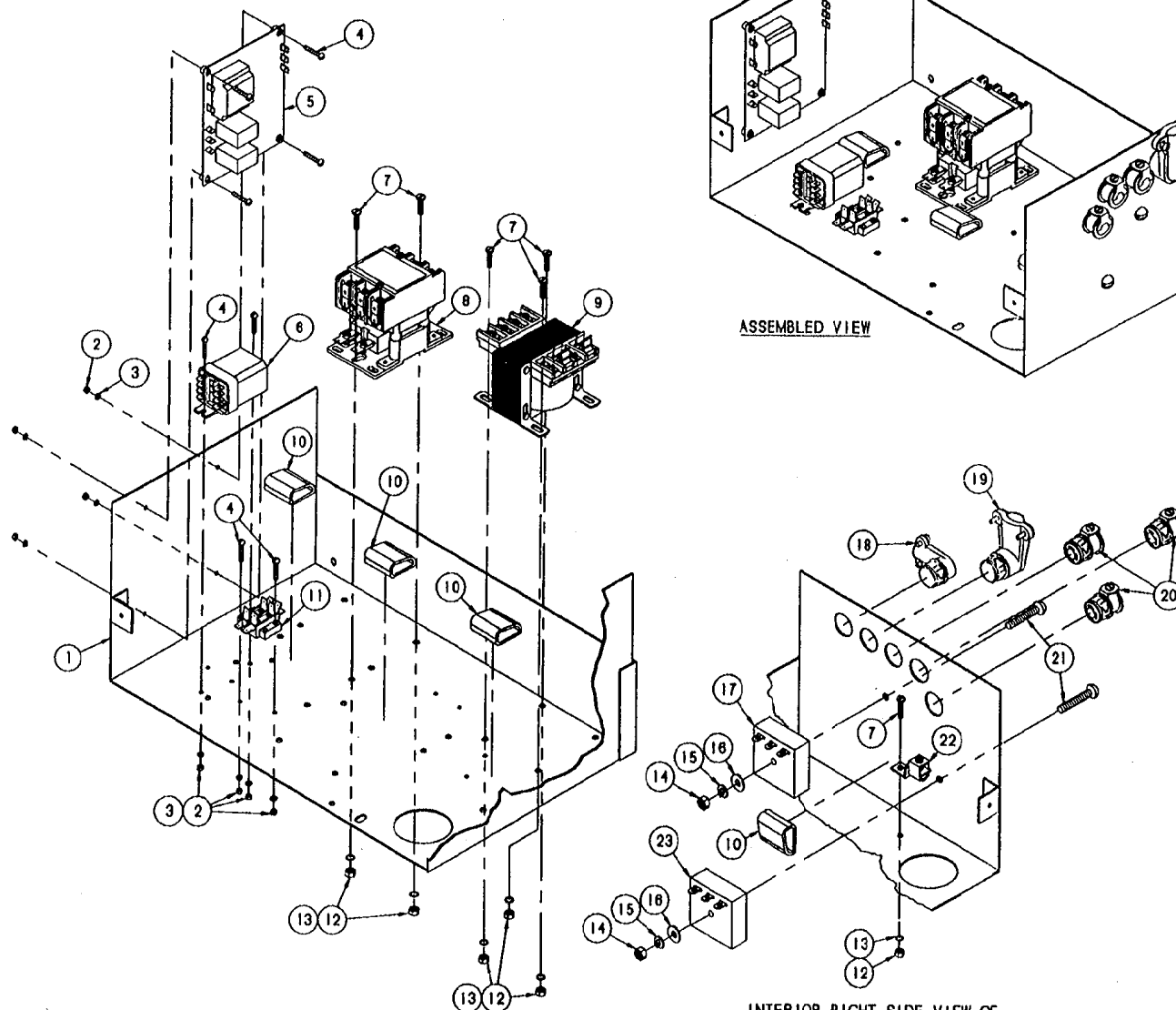
NEXT ASSY: DFD0001  
DFE0002  
DIF0003

NOTE:

1. THIS DRAWING REFLECTS MOST COMMON CONFIGURATION OF ELECTRICAL BOX (24KW208V).



ASSEMBLED VIEW



INTERIOR RIGHT SIDE VIEW OF ELECTRICAL BOX, ROTATED 90°

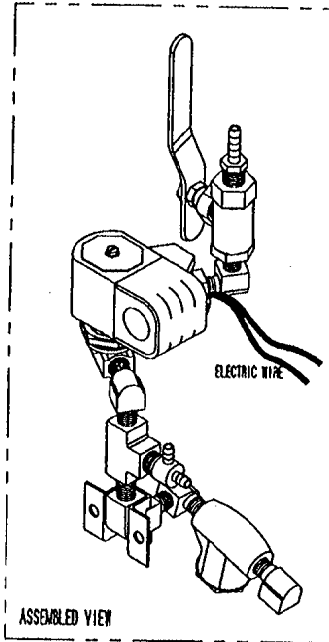
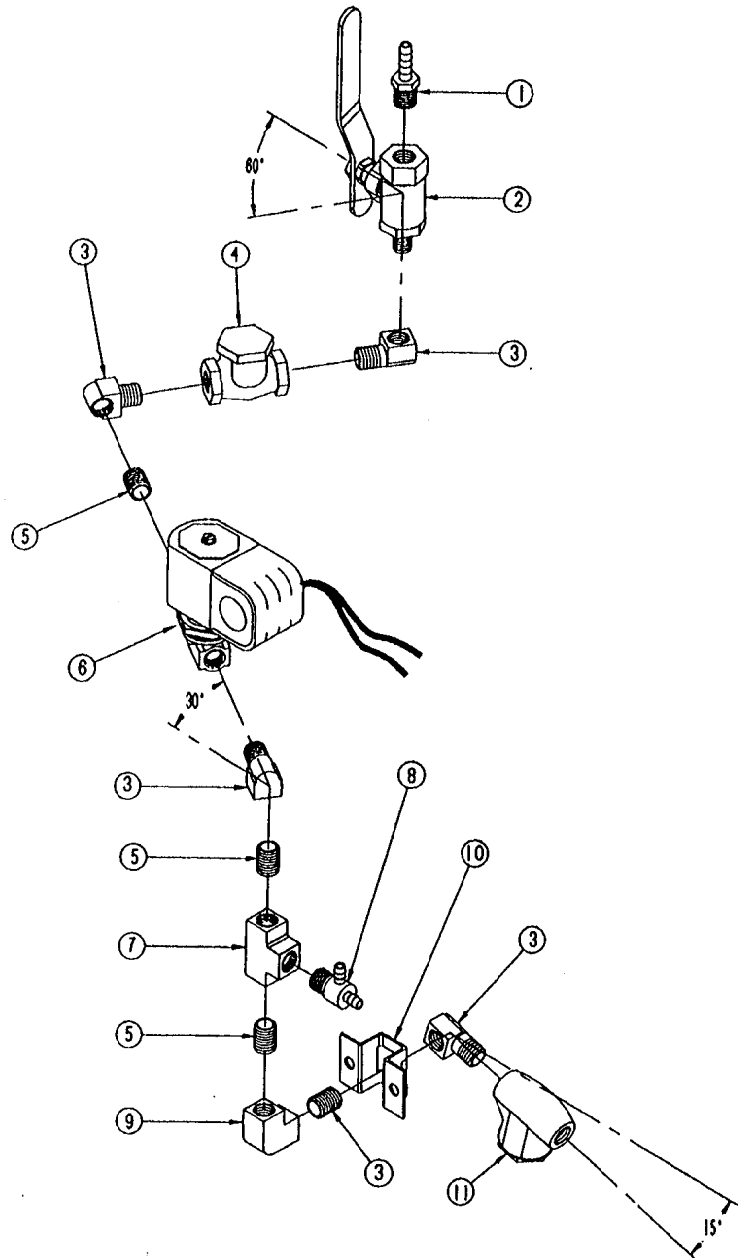
ITEM	QTY.	PART NO.	DESCRIPTION
23	1	104718	TIMER, RECYCLING, GENERATOR W/BLOWDOWN
22	1	12331	LUG, GROUND, SOLDERLESS, FOR 2-GA. WIRE
21	2	19285	SCREW, ROUND HEAD, 1/4-20 X 1-1/2, S/S
20	3	105243	CONNECTOR, GREENFIELD 3/8" STRAIGHT
19	1	105247	CONNECTOR, GREENFIELD 1/2 X 90° SNAPTITE
18	1	105245	CONNECTOR, GREENFIELD 3/8 X 90° SNAPTITE
17	1	20478	TIMER, SOLID STATE INTERVAL 3 MINUTE
16	2	23118	WASHER, FLAT, 1/4" ID X .065 THK
15	2	23137	WASHER, LOCK, INT. TOOTH, 1/4", S/S
14	2	14818	NUT, HEX, 1/4-20, S/S, FULL FINISHED
13	8	23114	WASHER, LOCK INT. TOOTH #10 TYPE A OR B
12	8	14854	NUT, HEX #10-24 STEEL
11	1	44188	TERMINAL BLOCK ASM. 2 POLE
10	4	23432	CLIP, MOUNTING, WIRE/CABLE, 1.25 X 1.50
9	1	20535	TRANSFORMER, 150VA
8	1	03508	CONTACTOR, 3 POLE, 75 AMP, 208/204V
7	5	19287	SCREW, PAN HEAD, 10-24 X .50", S/S
6	1	108581	RELAY, 120V, ELECTRIC GENERATOR
5	1	23198	CONTROL, WATER LEVEL
4	8	19183	SCREW, ROUND HEAD SLTD, 6-32 X .75
3	8	23111	WASHER, LOCK, INT. TOOTH #6 ZINC PLTD
2	8	14874	NUT, HEX, 6-32, ZINC PLTD
1	1	40937	BOX, WELDMENT, ELECTRIC

TOLERANCES (EXCEPT AS NOTED)		CLEVELAND RANGE INC. 1333 East 179th St. Cleveland, Ohio 44110-2574	
DECIMAL ± N/A	SCALE 3/8=1	DRAWN BY E. GRIVEAS	APPROVED BY NLT
ANGULAR ± N/A	TITLE ELECTRIC BOX ASSEMBLY W/INTERMITTENT BLOWDOWN, EL. GENERATOR		
CK	DATE 02-10-94	DRAWING NO. C - NFX0002	REV. -

THIS DESIGN / IS A PROPRIETARY ITEM AND IS THE P OF CLEVELAND RANGE. THIS DRAWING TO BE COPIED OR USED WITHOUT THE APPROVAL OF CLEVELAND RANGE.

OPTION FOR NEXT ASS'Y: DFD0001 DFE0002 DFF0003

NOTE: 1. MOUNT P/N 100064 TO LOWER RIGHT FRONT CUSSET (BASE FRAME).



LET	REVISIONS	DATE	BY
G	ADDED 440702 PER E.O. C-1789	08-21-90	GS
H	P/N 08218 REMOVED FROM 440702 PER E.O. #C-1994	08-13-91	PJD
J	P/N 08195 REMOVED FROM 440702 PER E.O. #C-2082	11-28-91	SM
K	MOVED 440701 TO SEPERATE DRAWING	01-21-92	SM
L	NEW VALVE HOUSING ON P/N 22223 (PICTORIAL ONLY) E.O. #C-2221 R1	02-04-93	PJD
M	REMOVED ASSY 440702, P/N 104381 WAS 08218, P/N 108588 WAS 08195, PER E.O. #C-2448	08-22-93	EAG

SEE NOTE 1

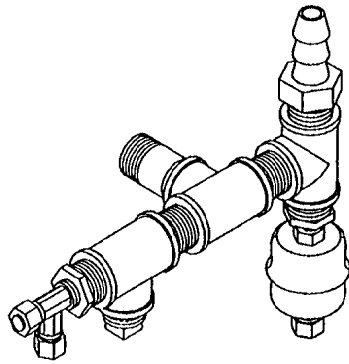


QTY.	ITEM	PART No.	DESCRIPTION
1	11	19870	STRAINER, "Y" 1/4"
1	10	100064	CLAMP, MOUNTING
1	9	05236	ELBOW, 1/4 90° BRASS
1	8	108588	TEE, 1/4" ROSE BARB
1	7	20199	TEE, 1/4 BRASS
1	6	22223	VALVE, SOLENOID 1/4 NPT (CP200)
4	4	14304	HIPPLE, CLOSE 1/4 BRASS
1	4	22102	VALVE, CHECK 1/4 NPT
4	3	05235	ELBOW, STREET 1/4-90° BRASS
1	2	09278	VALVE, BALL 1/4 NPT
1	1	104381	FITTING, ROSE 1/4 H X 1/4 NPT

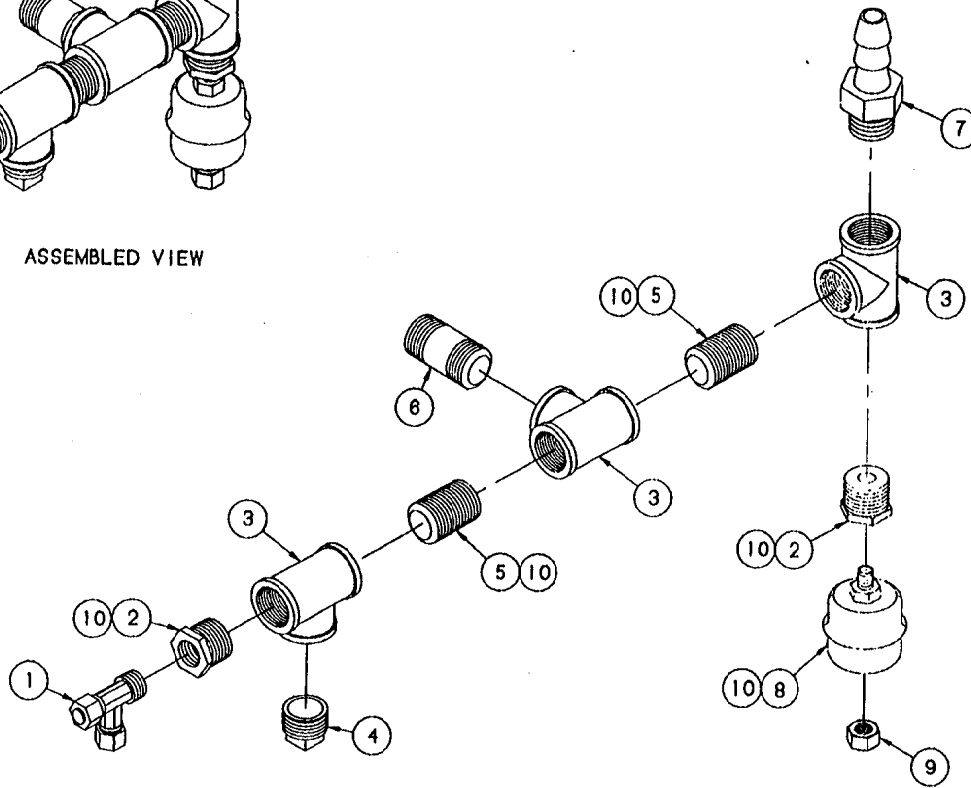
TOLERANCES (EXCEPT AS NOTED)			
DECIMAL	SCALE	DRAWN BY	APPROVED BY
± N/A	1/2	ANDJ	D.S.
ANGULAR	TITLE		
± 1°	PIPING ASSY., WATER FEED CONVECTION STEAMER ELECTRIC, AND GAS		
DATE	DRAWING NO.		REV.
OK	09-14-90	C- 44070	M

THIS DESIGN DESCRIBES A PROPRIETARY ITEM AND IS THE PROPERTY OF CLEVELAND RANGE. THIS DRAWING IS NOT TO BE COPIED OR USED WITHOUT THE APPROVAL OF CLEVELAND RANGE.

**CLEVELAND RANGE INC.**  
1339 East 179th St. Cleveland, Ohio 44110-2574



ASSEMBLED VIEW



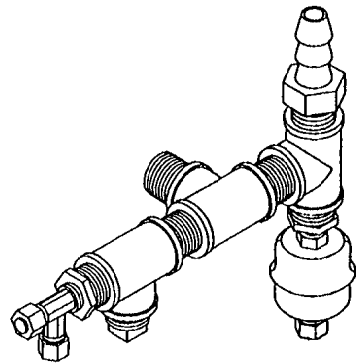
ITEM	QTY.	PART NO.	DESCRIPTION
10	A/R	00934	SEALANT, RECTORSEAL
9	1	14661	NUT, COMPRESSION, 1/4 TUBE, BRASS
8	1	101207	TRAP, THERMOSTATIC, 1/4" X 1/4"
7	1	08240	FITTING, HOSE BARB 3/4 HOSE X 3/4 NPT BRASS
6	1	14431	NIPPLE, 3/4 X 2, BRASS
5	2	14342	NIPPLE, 3/4 X CLOSE, BRASS
4	1	18607	PLUG, SQUARE HEAD, 3/4, BRASS
3	3	20208	TEE, 3/4 BRASS
2	2	02563	BUSHING, REDUCING, 3/4 X 1/4, BRASS
1	1	100883	FITTING, COMPR., TEE 3/8T X 3/8MPT X 3/8T

NEXT ASS'Y: DFE0002  
 DFF0003  
 DBE0005  
 DBF0008  
 DCE0007  
 DCF0008  
 DCE0009  
 DCF0010

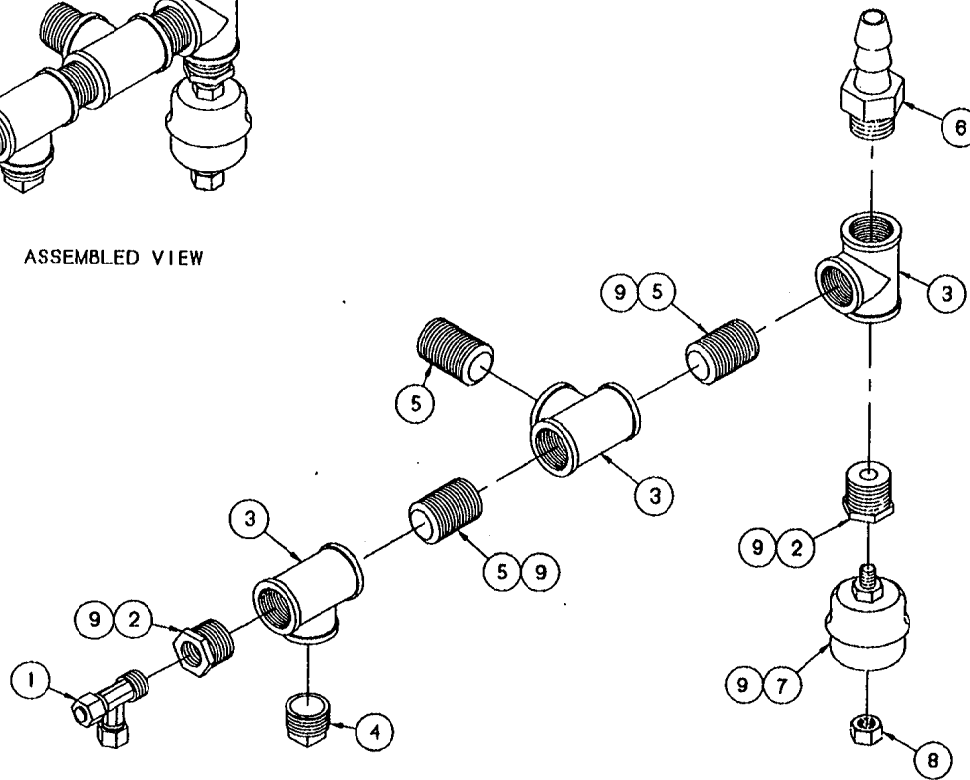
THIS DESIGN DESCRIPTION IS THE PROPERTY OF CLEVELAND RANGE. THIS DRAWING IS NOT TO BE COPIED OR USED WITHOUT THE APPROVAL OF CLEVELAND RANGE.

PROPRIETARY ITEM  
 CLEVELAND RANGE.  
 COPIED OR USED  
 CLEVELAND RANGE.

TOLERANCES (EXCEPT AS NOTED)			
<b>CLEVELAND RANGE INC.</b> 1333 East 179th St. Cleveland, Ohio 44110-2574			
DECIMAL ± N/A	SCALE 1/2±1	DRAWN BY E. GRIVEAS	APPROVED BY NLT
ANGULAR ± N/A	TITLE STEAM OUTLET ASSEMBLY ELECTRIC GENERATOR		
CK	DATE 10-07-93	DRAWING NO. C - 428124	REV -



ASSEMBLED VIEW

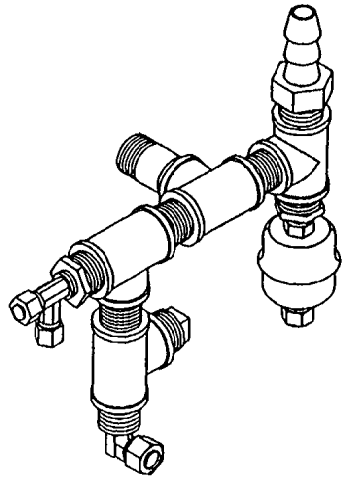


ITEM	QTY.	PART NO.	DESCRIPTION
9	A/R	00934	SEALANT, RECTORSAL
8	1	14661	NUT, COMPRESSION, 1/4 TUBE, BRASS
7	1	101207	TRAP, THERMOSTATIC, W/POL SEAT
6	1	08240	FITTING, HOSE BARB 3/4 HOSE X 3/4 MPT BRASS
5	3	14342	NIPPLE, 3/4 X CLOSE, BRASS
4	1	18807	PLUG, SQUARE HEAD, 3/4, BRASS
3	3	20206	TEE, 3/4 BRASS
2	2	02563	BUSHING, REDUCING, 3/4 X 1/4, BRASS
1	1	100883	FITTING, COMPR., TEE 3/8T X 3/8MPT X 3/8T

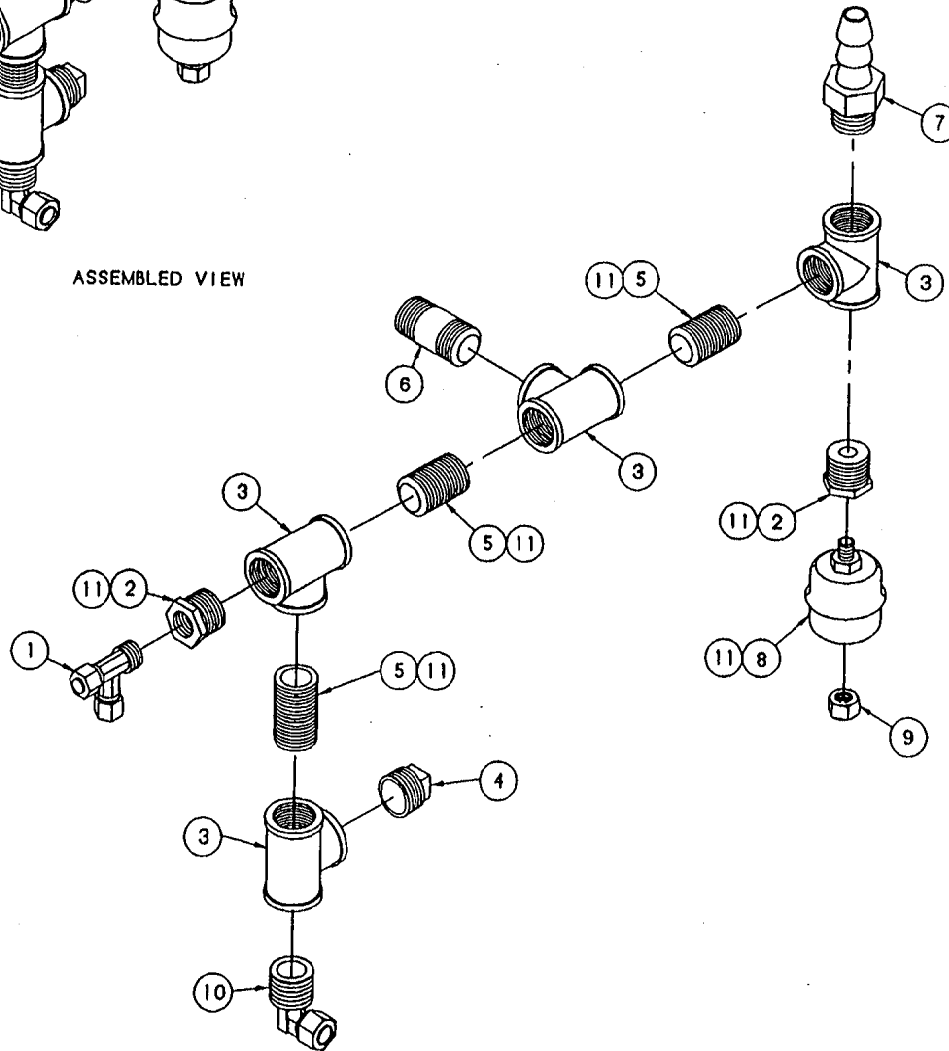
<b>TOLERANCES</b> <small>(UNLESS AS NOTED)</small>			
<b>CLEVELAND RANGE INC.</b> 1333 Ecol 179th St. Cleveland, Ohio 44110-2574			
DECIMAL ± N/A	SCALE 1/2=1	DRAWN BY E. GRIVEAS	APPROVED BY NLT
ANGULAR ± N/A	TITLE STEAM OUTLET ASSEMBLY REV. BEND GEN., ELECTRIC		
CK	DATE 10-08-93	DRAWING NO. C - 428124	REV. -

THIS DESIGN DESCRIBES A PROPRIETARY ITEM AND IS THE PROPERTY OF CLEVELAND RANGE. THIS DRAWING IS NOT TO BE COPIED OR USED WITHOUT THE APPROVAL OF CLEVELAND RANGE.

NEXT ASS'Y: Df'D0001



ASSEMBLED VIEW

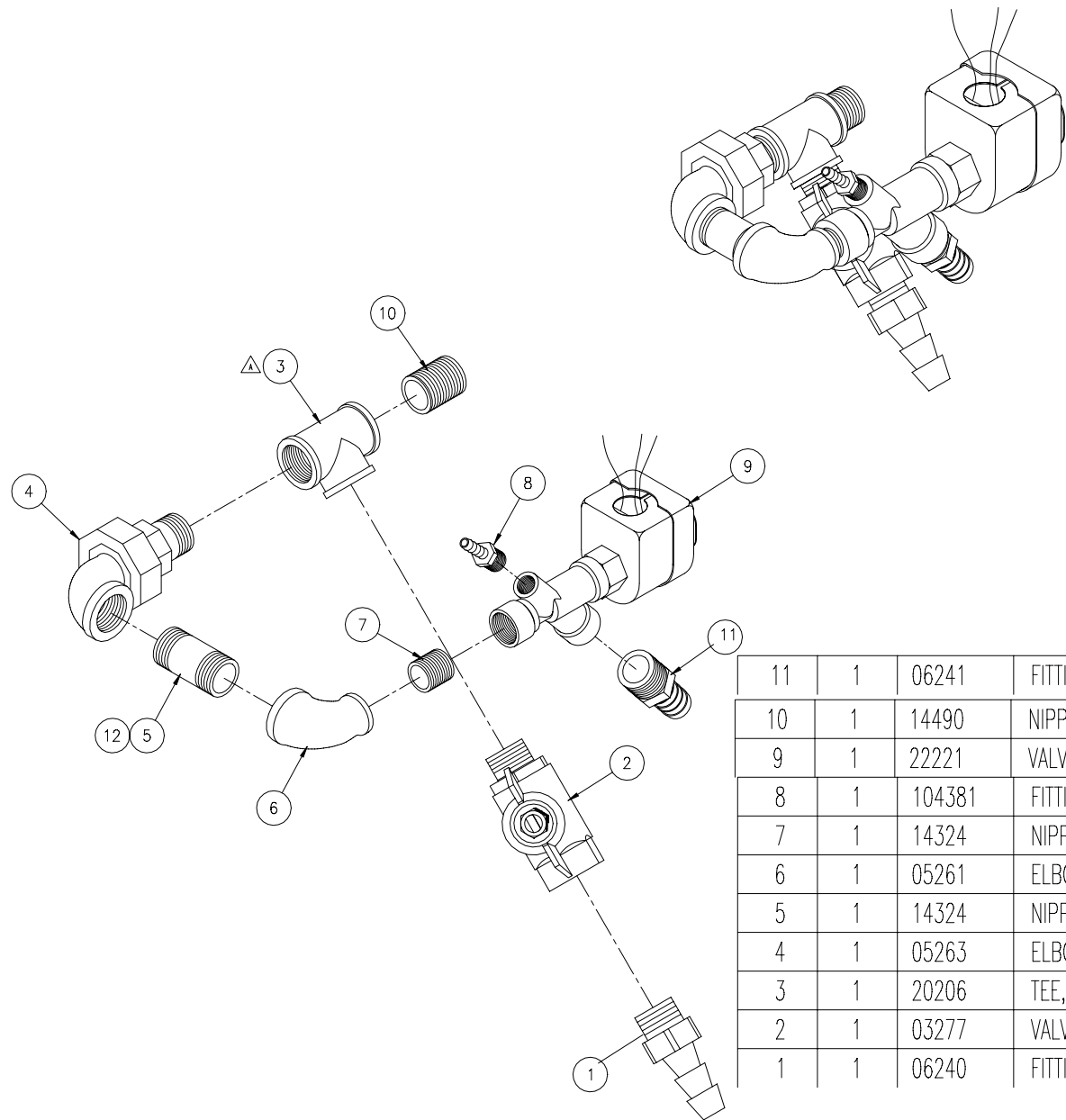


ITEM	QTY.	PART NO.	DESCRIPTION
11	A/R	00934	SEALANT, RECTORSEAL
10	1	06187	FITTING, COMPR., 90 DEG. 1/2T X 3/4MPT
9	1	14861	NUT, COMPRESSION, 1/4 TUBE, BRASS
8	1	101207	TRAP, THERMOSTATIC, 1/4" X 1/4"
7	1	06240	FITTING, HOSE BARB 3/4 HOSE X 3/4 MPT BRASS
6	1	14431	NIPLLE, 3/4 X 2, BRASS
5	3	14342	NIPLLE, 3/4 X CLOSE, BRASS
4	1	18807	PLUG, SQUARE HEAD, 3/4, BRASS
3	4	20206	TEE, 3/4 BRASS
2	2	02583	BUSHING, REDUCING, 3/4 X 1/4, BRASS
1	1	100893	FITTING, COMPR., TEE 3/8T X 3/8MPT X 3/8T

TOLERANCES (EXCEPT AS NOTED)			
<b>CLEVELAND RANGE INC.</b> 1333 East 179th St., Cleveland, Ohio 44110-2574			
DECIMAL ± N/A	SCALE 1/2=1	DRAWN BY D. DODSON	APPROVED BY NLT
ANGULAR ± N/A	TITLE STEAM OUTLET ASSY., 420KEM/420KGM REV. BEND GENERATOR		
CK	DATE 2-03-94	DRAWING NO. C - 42 - 26	REV. -

THIS DESIGN DESCRIBES A PROPRIETARY ITEM AND IS THE PROPERTY OF CLEVELAND RANGE. THIS DRAWING IS NOT TO BE COPIED OR USED WITHOUT THE WRITTEN APPROVAL OF CLEVELAND RANGE.

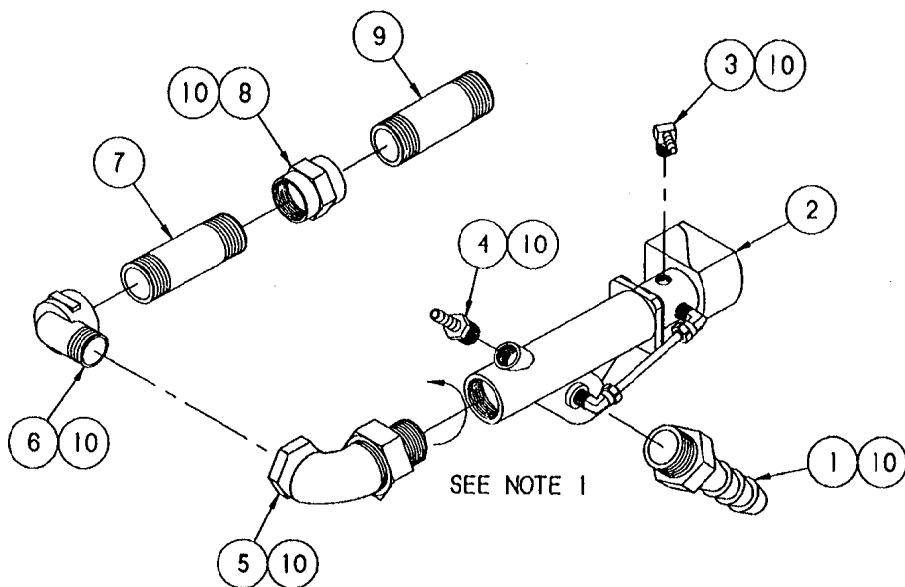
LET.	REVISIONS	DATE	BY
------	-----------	------	----



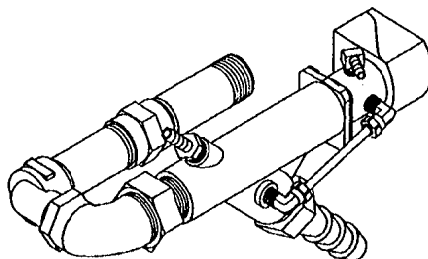
11	1	06241	FITTING, HOSE BARB, 3/4"H x 1/2"MPT
10	1	14490	NIPPLE, 3/4" x CLOSE, S/S
9	1	22221	VALVE, ASCO HV220649
8	1	104381	FITTING, HOSE BARB, 1/4"H x 1/4" NPT
7	1	14324	NIPPLE, 1/2" x CLOSE, BRASS
6	1	05261	ELBOW, 3/4" x 1/2" x 90°
5	1	14324	NIPPLE, 3/4" x 2", BRASS
4	1	05263	ELBOW, 90° RADIATOR, 3/4"
3	1	20206	TEE, 3/4", BRASS
2	1	03277	VALVE, BALL, 3/4" (W/OUT HANDLE)
1	1	06240	FITTING, HOSE BARB, 3/4"H x 3/4" MPT

ITEM	QTY	PART NO.	DESCRIPTION
<b>CLEVELAND RANGE, LLC</b>			
1333 East 179th St., Cleveland, Ohio 44110-2574			
<small>THIS DESIGN DESCRIBES A PROPRIETARY ITEM AND IS THE PROPERTY OF CLEVELAND RANGE. THIS DRAWING IS NOT TO BE COPIED OR USED WITHOUT THE APPROVAL OF CLEVELAND RANGE.</small>			
TOLERANCES (UNLESS OTHERWISE NOTED)	DO NOT SCALE PRINTED DRAWING	DRAWN BY S.MILEWSKI	DATE 7-18-91
DECIMAL ±.030	TITLE PIPING ASSEMBLY, BLOWDOWN 600 MM, GAS		
ANGULAR ± 1°	SIZE C	DRAWING NO. 40811	SHEET 1 OF 1 REV J

NOTE: ROTATE VALVE ABOUT 45° FOR J PRESUURE BASES.



SEE NOTE 1



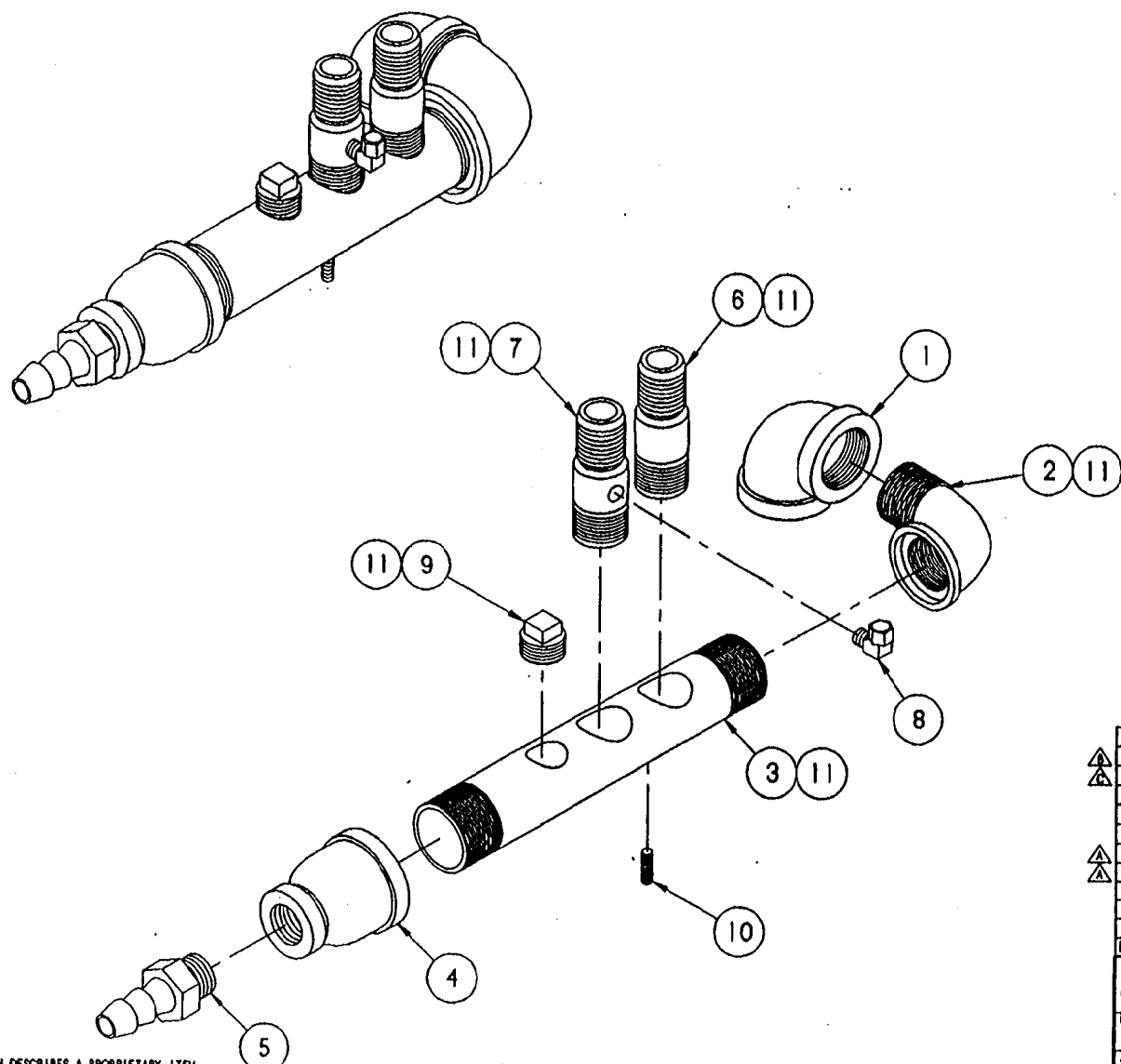
LET.	REVISIONS	DATE	BY
A	REMOVED P/N'S 03851, 14329 (2), 05284 ADDED 08241	3-27-92	SM
B	P/N 08240 WAS 08241, P/N 22244 WAS 22221, P/N 104381 WAS 08218, P/N'S 105787, 14348 & 03812 ADDED, P/N'S 14324, 02586, 20208, 14342, 03277 & 08323 OMITTED PER E.O. #C-2148	08-18-93	PJD

NO.	QTY.	PART NO.	DESCRIPTION
10	A/R	00934	SEALANT, RECTORSEAL
9	1	14495	NIPPLE, 3/4 NPT X 3", S/S
8	1	03812	COUPLING, FULL, 3/4, BRASS
7	1	14348	NIPPLE, 3/4 X 3, BRASS
6	1	05231	ELBOW, STREET, 3/4 X 90°, FORGED BRASS
5	1	05283	ELBOW, UNION RADIATOR, 3/4 X 90°
4	1	104381	FITTING, HOSE BARB, 1/4 H X 1/4 MPT
3	1	105787	FITTING, HOSE BARB, 1/4 H X 1/8 MPT 90°
2	1	22244	VALVE, SOLENOID, 1/2", 15 PSI
1	1	08240	FITTING, HOSE BARB, 3/4 H X 3/4 MPT

TOLERANCES (UNLESS OTHERWISE NOTED)		CLEVELAND RANGE INC.	
DECIMAL	SCALE	1333 East 179th St. Cleveland, Ohio 44110-2574	
± N/A	1/2±1	DRAWN BY	APPROVED BY
ANGULAR	TITLE	S. MILEWSKI	MLT
± N/A	PIPING ASSEMBLY, BLOWDOWN 24CEM, ELECTRIC "J's"		
CK	DATE	DRAWING NO.	REV.
	03-28-92	C - 40889	8

THIS DESIGN DESCRIBES A PROPRIETARY ITEM AND IS THE PROPERTY OF CLEVELAND RANGE. THIS DRAWING IS NOT TO BE COPIED OR USED WITHOUT THE APPROVAL OF CLEVELAND RANGE.

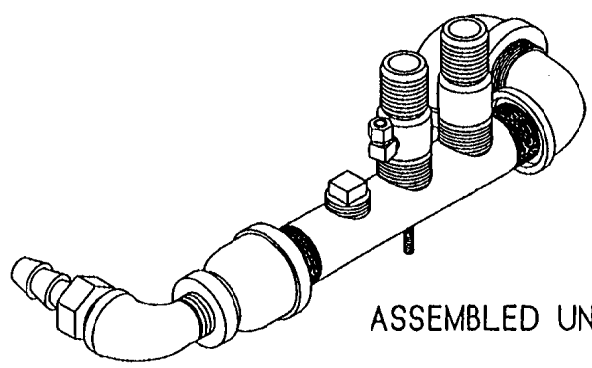
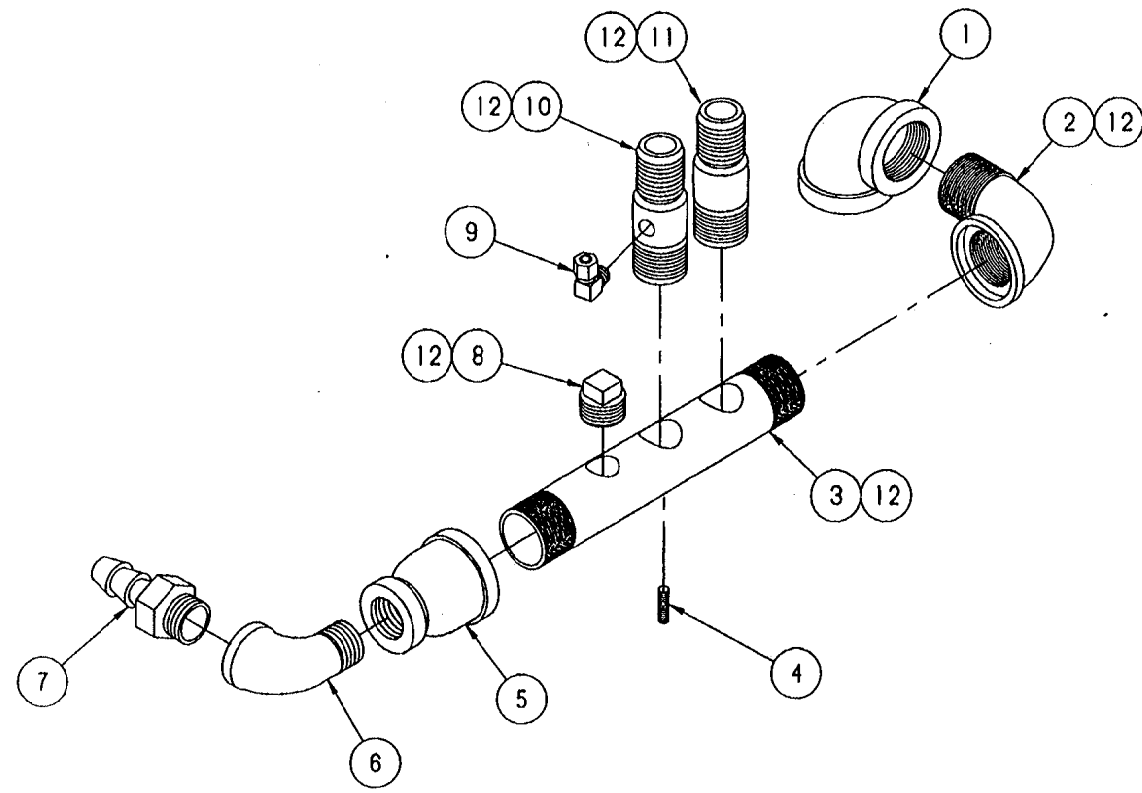
LET.	REVISIONS	DATE	BY
A	ADDED P/N'S 03818 & 08240	3-27-92	SM
B	ADDED P/N 19917 EO #C-2267	8-16-92	SM
C	P/N 18808 WAS 08208 PER E.O. #C-2448	8-22-93	PD



THIS DESIGN DESCRIBES A PROPRIETARY ITEM AND IS THE PROPERTY OF CLEVELAND RANGE. THIS DRAWING IS NOT TO BE COPIED OR USED WITHOUT THE APPROVAL OF CLEVELAND RANGE.

11	A/R	00934	SEALANT, RECTORSEAL
10	I	19917	STUD, ARC WELD, 1/4-20 x .875, S/S
9	I	18808	PLUG, SQUARE HEAD, 3/4" PIPE, BLACK
8	I	08192	FITTING, COMP, 1/4 T x 1/8 MPT, 90°
7	I	585191	FITTING, HOSE BARB, 1" H w/ 1/8" HOLE
6	I	14481	FITTING, HOSE BARB, 1" H x 1" NPT
5	I	08240	FITTING, HOSE BARB, 3/4 H x 3/4 MPT
4	I	03818	COUPLING, REDUC., 1-1/2 x 3/4, BLK
3	I	13252	MANIFOLD, DRAIN, 1-1/2, BLACK
2	I	05292	ELBOW, STREET, 1-1/2, 90°, BLACK
1	I	05238	ELBOW, 1-1/2 NPT, 90°, BLACK
ITEM	QTY.	PART NO.	DESCRIPTION
TOLERANCES <small>FRACTIONS AS SHOWN</small>			
<b>CLEVELAND RANGE INC.</b> 1333 East 179th St., Cleveland, Ohio 44110-2574			
DECIMAL ± N/A	SCALE 9/16=1	DRAWN BY S. MILEWSKI	APPROVED BY
ANGULAR ± N/A	TITLE DRAIN MANIFOLD ASSEMBLY 24CEM		
CK	DATE 03-28-92	DRAWING NO. C - 42749	REV. C

LET.	REVISIONS	DATE	BY
-	PRODUCTION RELEASE E.O. 1C-1994	08-23-91	P.J.D.
A	P/N 14347 & 20205 OMITTED AND P/N 08240 WAS QTY. OF 2 PER E.O. 1C-2448	08-22-93	P.J.D.



ITEM	QTY.	PART NO.	DESCRIPTION
12	A/R	00934	SEALANT, RECTORSEAL
11	1	14481	FITTING, BARB 1" H X 1" MPT S/S
10	1	585191	FITTING, HOSE, DRAIN MANIFOLD W/ 1/8 HOLE
9	1	08192	FITTING, COMP. 1/4 T X 1/8 MPT 90°
8	1	18808	PLUG, SQ. HEAD, 3/4" PIPE, BLACK
7	1	08240	FITTING, HOSE BARB 3/4 H X 3/4 MPT
6	1	05259	ELBOW, STREET 3/4 X 90°, BLACK
5	1	03818	COUPLING, RED. 1-1/2 X 3/4, BLACK
4	1	19917	STUD, WELD 1/4-20 X 7/8, S/S
3	1	13252	MANIFOLD, DRAIN 1-1/2 NPT, BLACK
2	1	05292	ELBOW, STREET 1-1/2 NPT X 90° BLACK
1	1	05238	ELBOW, 1-1/2 NPT X 90°, BLACK

TOLERANCES (EXCEPT AS NOTED)		CLEVELAND RANGE INC. 1333 East 179th St. Cleveland, Ohio 44110-2574	
DECIMAL ± N/A	SCALE 1/2"	DRAWN BY P.J.D.	APPROVED BY
ANGULAR ± N/A	TITLE PIPING ASSEMBLY, DRAIN 38CGM/SM, 38CGM/LG, 38CEM, 24CSM, 38CSM		
CK	DATE 08-13-91	DRAWING NO. C - 42751	REV. A

THIS DESIGN DESCRIBES A PROPRIETARY ITEM AND IS THE PROPERTY OF CLEVELAND RANGE. THIS DRAWING IS NOT TO BE COPIED OR USED WITHOUT THE APPROVAL OF CLEVELAND RANGE.



# STEAM CONTROL ASSEMBLY

ITEM NO.	PART NO.	DESCRIPTION	QTY.
1.	FA11056	Binding Head Screw, 6-32 x 1/2" Ig. ....	4
2.	KE50458	End Cap, condensate return ....	1
3.	KE50455-1	Trunnion, condensate return ....	1
4.	FA05002-35	"O" Ring ....	2
5.	FA05002-37	"O" Ring ....	4
6.	KE50460-1	Trunnion, steam inlet ....	1
7.	FA11089	Binding Head Screw, 8-32 x 1/4" Ig. ....	1
8.	KE51713	Washer, steam valve ....	1
9.	KE50459	Operating Stem ....	1
10.	KE50457	End Cap, steam inlet ....	1
11.	SE00028	Steam Control Knob Assembly (c/w Item No. 12, 13 & Knob) ....	1
12.	KE51888	Retaining Washer ....	1
13.	FA11092	Binding Head Screw, 8-32 x 1/2" Ig. ....	1
14.	KE50151-E	Knob, threaded (after 07/94) ....	1
	KE50151	Knob, non threaded (prior to 06/94) ....	1
15.	KE50886-1	Handle, KDT-1-T ....	1
	KE50886-2	Handle, KDT-3-T ....	1
	KE50886-3	Handle, KDT-6-T & KDT-12-T ....	1
	KE50886-4	Handle, KDT-20-T ....	1
16.	KE50475	Plug Button ....	1
17.	KE52697	Lock Nut, 1/2" NPS ....	2
18.	FA32500	Lockwasher ....	2
19.	FA30502	Washer, satin coat ....	2
20.	KE50467	Washer, Foot ....	2
21.	KE50465	Service Pipe, KDT-1-T & KDT-3-T ....	2
	KE52030	Service Pipe, KDT-6-T ....	2
	KE50463	Service Pipe, KDT-12-T ....	2
	KE50464	Service Pipe, KDT-20-T ....	2
22.	T40272	Leg Assembly, KDT-1-T (c/w Item No. 17-21) ....	2
	T40218	Leg Assembly, KDT-3-T (c/w Item No. 17-21) ....	2
	KE00896	Leg Assembly, KDT-6-T (c/w Item No. 17-21) ....	2
	KE00203	Leg Assembly, KDT-12-T (c/w Item No. 17-21) ....	2
	KE00204	Leg Assembly, KDT-20-T (c/w Item No. 17-21) ....	2
23.	FA05002-12	"O" Ring ....	1
24.	KE01115-1	Right Hand Marine Lock Latch, KDT-12-T & KDT20-T only ....	1
24.	KE01115	Left Hand Marine Lock Latch, KDT-12-T & KDT20-T only ....	1
25.	KE52632	Crown Nut, KDT-12-T & KDT20-T only ....	1
26.	SE00096	Steam Outlet Assembly ....	1
27.	SE00011	Trunnion Assembly, steam inlet ....	1
28.	SE00029	Operating Stem Assembly, steam inlet ....	1
29.	SE00030	Steam Inlet Control Assembly ....	1

Requires Knob -  
Item No.  
KE50151-E

# FAUCET ASSEMBLIES

