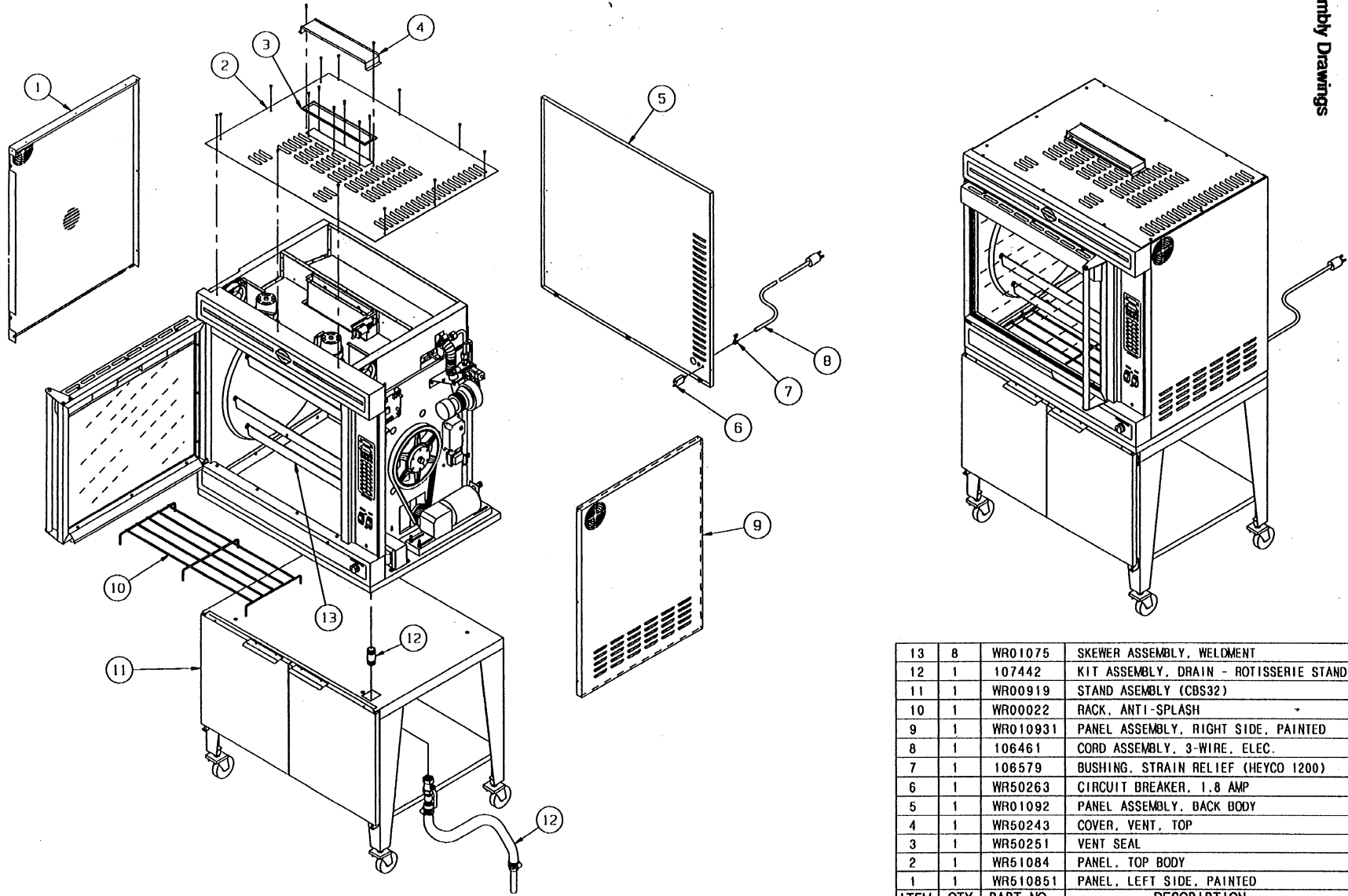


Cleveland Parts Manual

BMR-32 ROTISSERIE CONVECTION OVEN



BMR-32
REV. 1/3/01



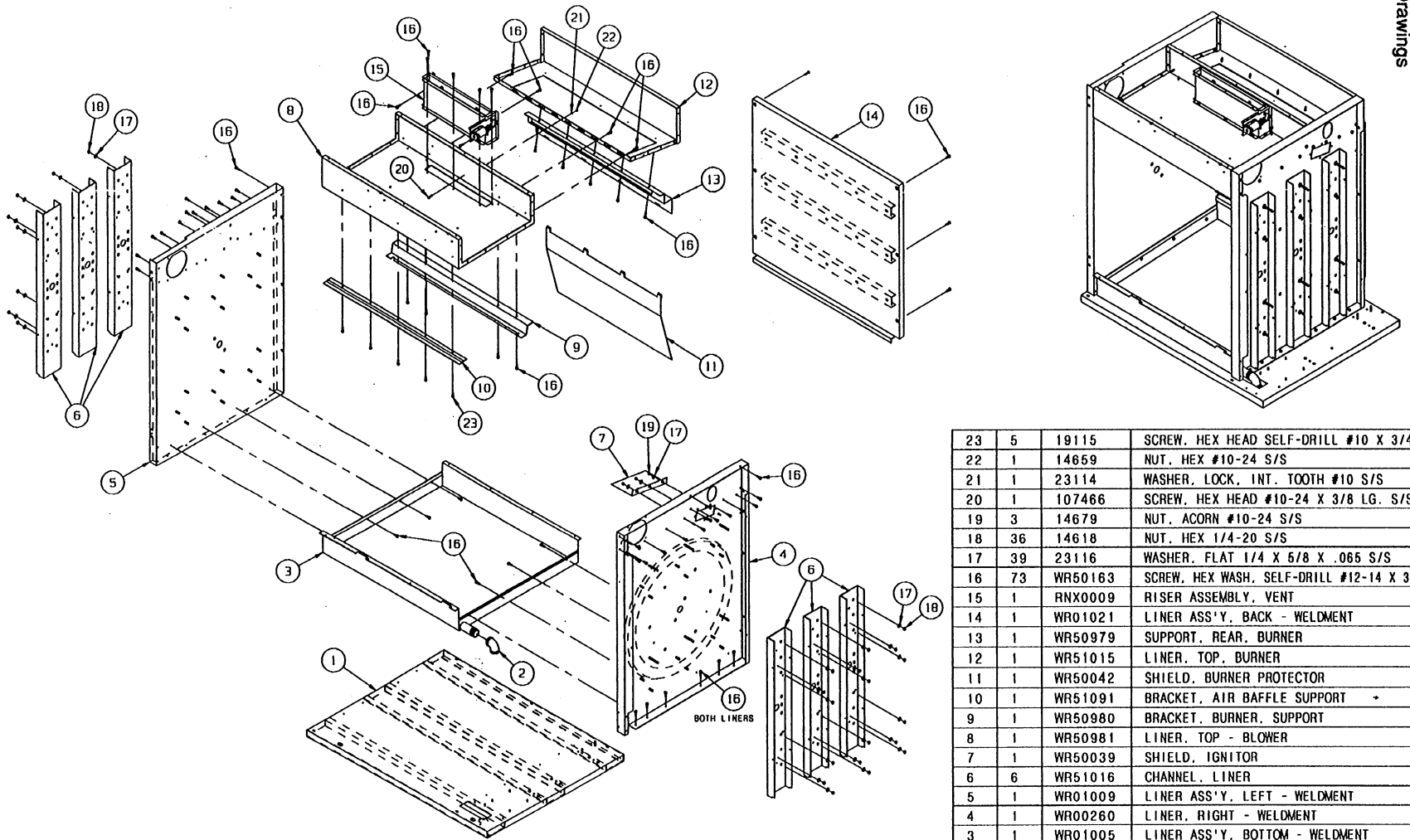
13	8	WR01075	SKEWER ASSEMBLY, WELDMENT
12	1	107442	KIT ASSEMBLY, DRAIN - ROTISSERIE STAND
11	1	WR00919	STAND ASSEMBLY (CBS32)
10	1	WR00022	RACK, ANTI-SPLASH
9	1	WR010931	PANEL ASSEMBLY, RIGHT SIDE, PAINTED
8	1	106461	CORD ASSEMBLY, 3-WIRE, ELEC.
7	1	106579	BUSHING, STRAIN RELIEF (HEYCO 1200)
6	1	WR50263	CIRCUIT BREAKER, 1.8 AMP
5	1	WR01092	PANEL ASSEMBLY, BACK BODY
4	1	WR50243	COVER, VENT, TOP
3	1	WR50251	VENT SEAL
2	1	WR51084	PANEL, TOP BODY
1	1	WR510851	PANEL, LEFT SIDE, PAINTED
ITEM	QTY.	PART NO.	DESCRIPTION

CLEVELAND RANGE INC.
1333 East 179th St. Cleveland, Ohio 44110-2574

BOSTON MARKET ROTISSERIE

STAND AND OUTER SHEETING

ASY001



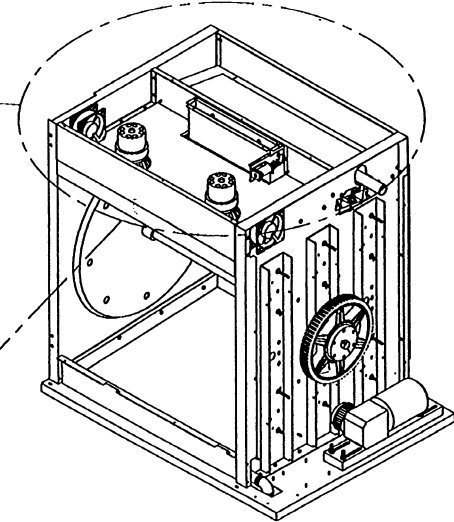
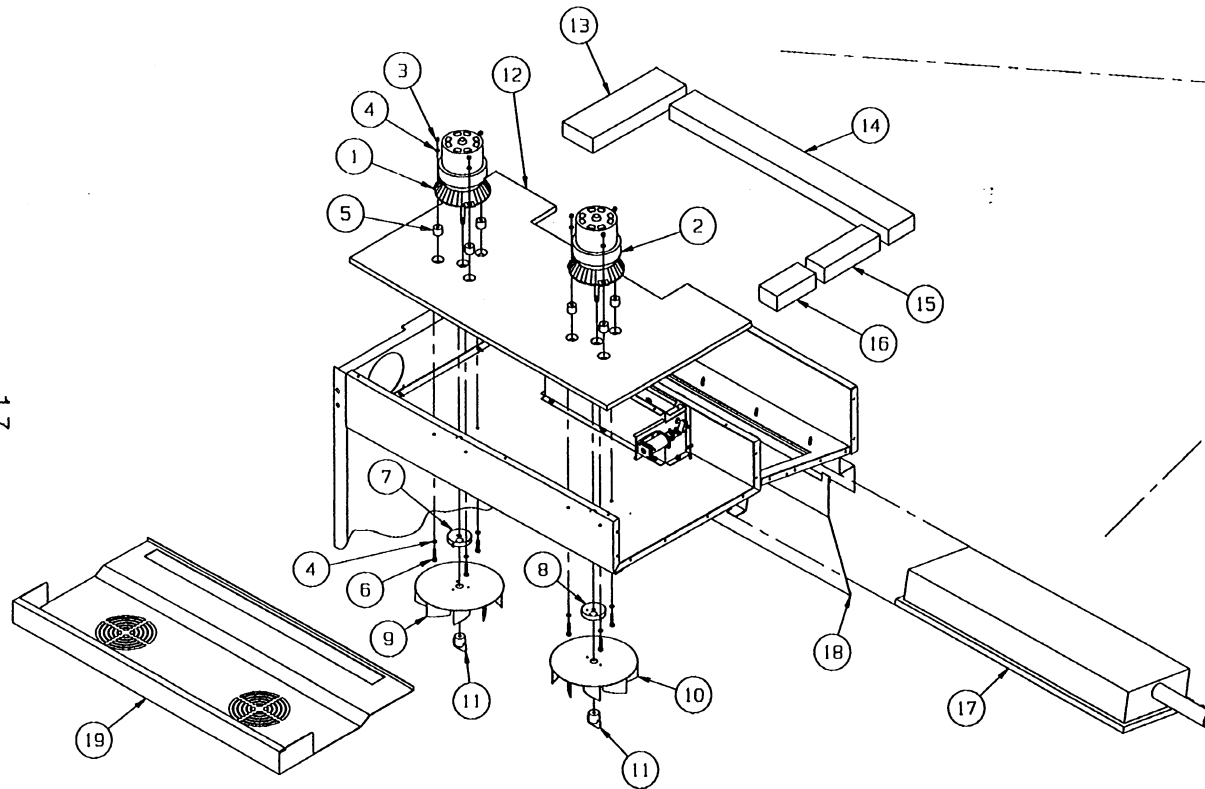
23	5	19115	SCREW, HEX HEAD SELF-DRILL #10 X 3/4 LG.
22	1	14659	NUT, HEX #10-24 S/S
21	1	23114	WASHER, LOCK, INT. TOOTH #10 S/S
20	1	107466	SCREW, HEX HEAD #10-24 X 3/8 LG. S/S
19	3	14679	NUT, ACORN #10-24 S/S
18	36	14618	NUT, HEX 1/4-20 S/S
17	39	23116	WASHER, FLAT 1/4 X 5/8 X .065 S/S
16	73	WR50163	SCREW, HEX WASH, SELF-DRILL #12-14 X 3/4 S/S
15	1	RNX0009	RISER ASSEMBLY, VENT
14	1	WR01021	LINER ASS'Y, BACK - WELDMENT
13	1	WR50979	SUPPORT, REAR, BURNER
12	1	WR51015	LINER, TOP, BURNER
11	1	WR50042	SHIELD, BURNER PROTECTOR
10	1	WR51091	BRACKET, AIR BAFFLE SUPPORT
9	1	WR50980	BRACKET, BURNER, SUPPORT
8	1	WR50981	LINER, TOP - BLOWER
7	1	WR50039	SHIELD, IGNITOR
6	6	WR51016	CHANNEL, LINER
5	1	WR01009	LINER ASS'Y, LEFT - WELDMENT
4	1	WR00260	LINER, RIGHT - WELDMENT
3	1	WR01005	LINER ASS'Y, BOTTOM - WELDMENT
2	1	05265	ELBOW, 1" NPT X 90°, BLACK
1	1	WR00054	BASE ASSEMBLY - WELDMENT
ITEM	QTY.	PART NO.	DESCRIPTION

CLEVELAND RANGE INC.
1333 East 179th St. Cleveland, Ohio 44110-2574

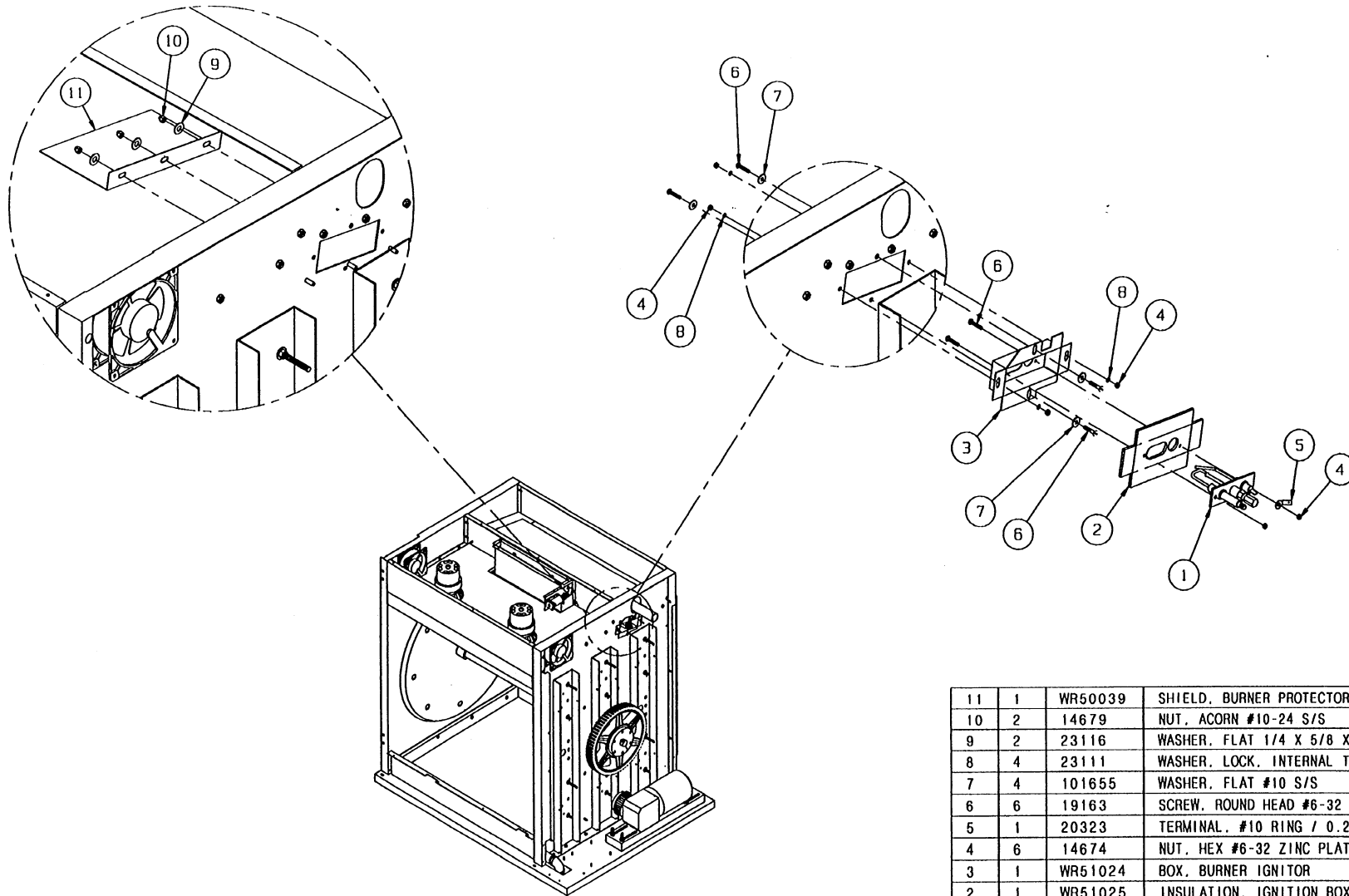
BOSTON MARKET ROTISSERIE

INTERIOR FRAME ASSEMBLY

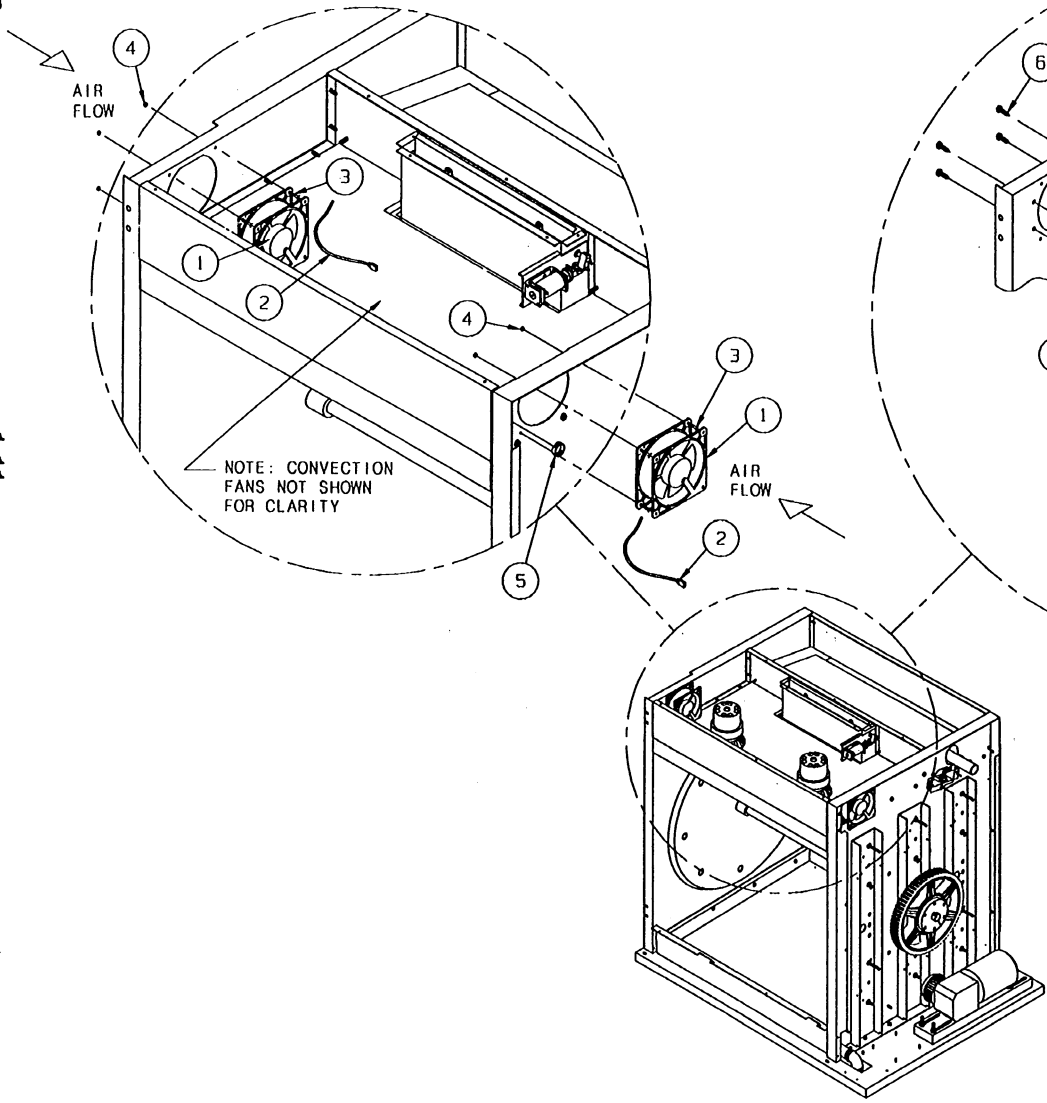
ASY002



19	1	WR50995	LINER, AIR BAFFLE (JET PLATE)
18	1	WR50042	SHIELD, BURNER PROTECTOR
17	1	WR50950	BURNER, INFRARED, TILED
16	1	1074048	INSULATION, FIBERGLASS, 4.500 X 2.125
15	1	1074047	INSULATION, FIBERGLASS, 6.500 X 2.125
14	1	1074046	INSULATION, FIBERGLASS, 25.500 X 3.000
13	1	1074045	INSULATION, FIBERGLASS, 11.000 X 3.500
12	1	1074051	INSULATION, TOP FRONT, CERAMIC BOARD
11	2	WR00040	NUT, FAN WHEEL, WING STYLE
10	1	WR50061	BLOWER BLADE DISK, R.H.
9	1	WR50062	BLOWER BLADE DISK, L.H.
8	1	WR00036	HUB ASSEMBLY, FAN - R.H.
7	1	WR00037	HUB ASSEMBLY, FAN - L.H.
6	6	106125	SCREW, TORX HEAD #10-32 X 1.750" LG.
5	6	195553	SPACER, 0.625" LG.
4	12	23114	WASHER, LOCK, INTERNAL TOOTH #10 S/S
3	6	14645	NUT, HEX #10-32 ZINC PLATED
2	1	WR50101	MOTOR, CONVECTION FAN, C.C.W. ROTATION R.H.
1	1	WR50102	MOTOR, CONVECTION FAN, C.W. ROTATION L.H.
ITEM	QTY.	PART NO.	DESCRIPTION



ITEM	QTY.	PART NO.	DESCRIPTION
11	1	WR50039	SHIELD, BURNER PROTECTOR
10	2	14679	NUT, ACORN #10-24 S/S
9	2	23116	WASHER, FLAT 1/4 X 5/8 X 0.065 S/S
8	4	23111	WASHER, LOCK, INTERNAL TOOTH #6 ZINC PLT.
7	4	101655	WASHER, FLAT #10 S/S
6	6	19163	SCREW, ROUND HEAD #6-32 X 3/4" LG.
5	1	20323	TERMINAL, #10 RING / 0.250 MALE TAB
4	6	14674	NUT, HEX #6-32 ZINC PLATED
3	1	WR51024	BOX, BURNER IGNITOR
2	1	WR51025	INSULATION, IGNITION BOX
1	1	WR51026	IGNITOR, 8100459 (NATURAL GAS ONLY)
		WR610261	IGNITOR, 8100609 (LP GAS ONLY)



11	A/R	107431	TAPE, INSULATION, SELF-ADHESIVE
10	1	WR50098	BAFFLE, COOLING, RIGHT FRONT
9	1	WR50097	BAFFLE, COOLING, LEFT FRONT
8	1	WR50096	BAFFLE, COOLING, RIGHT REAR
7	1	WR50095	BAFFLE, COOLING, LEFT REAR
6	8	WR50163	SCREW, HEX WASH SELF-DRILL #12-14 X 3/4 LG
5	1	02600	BUSHING, INSULATOR, HEYCO SB-875-11
4	8	14674	NUT, HEX #6-32 ZINC PLATED
3	8	19163	SCREW, ROUND HEAD #6-32 X 3/4 LG.
2	2	WR50159	FAN POWER CORDSET, 24" LG. PLUG STYLE
1	2	WR51053	FAN, VENTILATING, AIR PERFORMANCE
ITEM	QTY.	PART NO.	DESCRIPTION

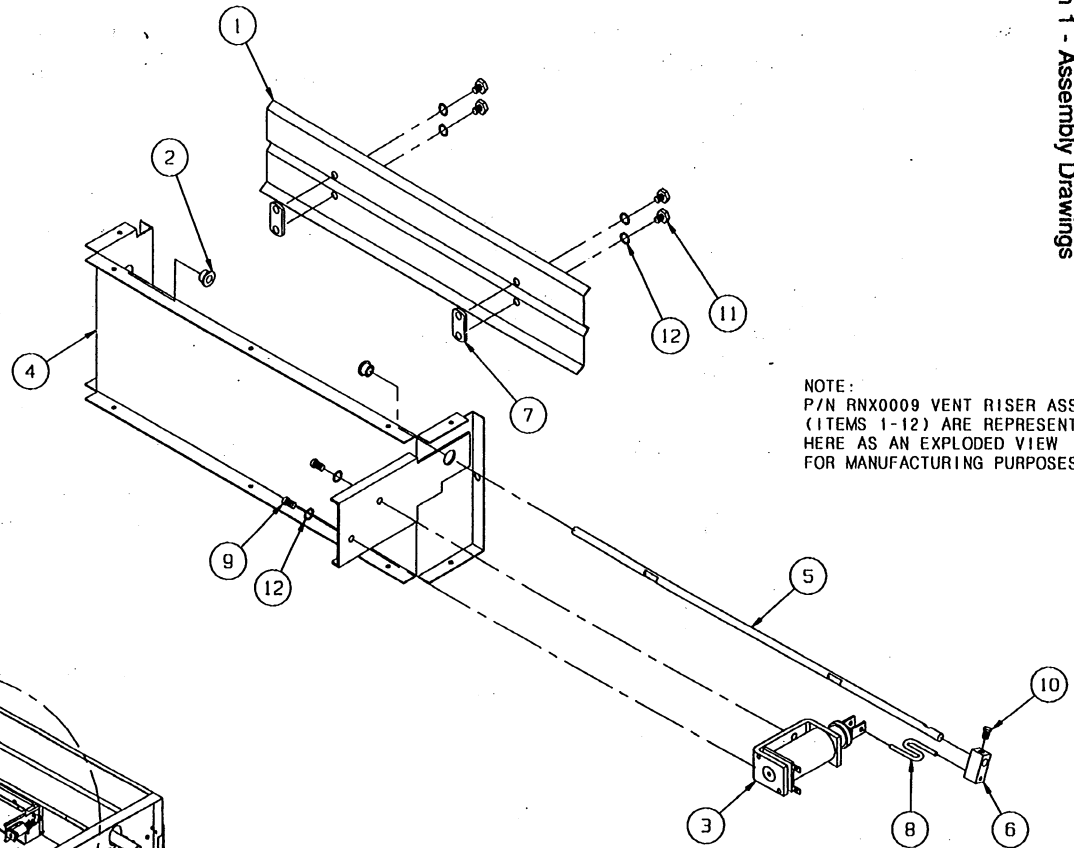
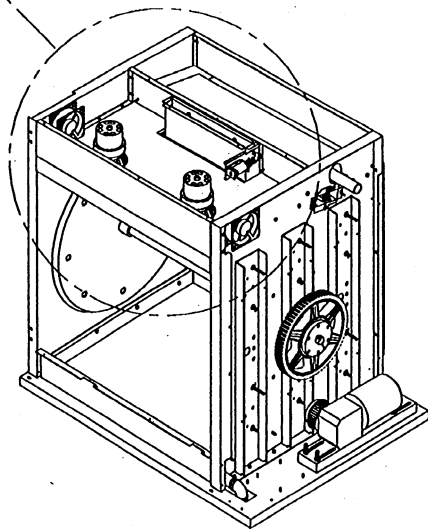
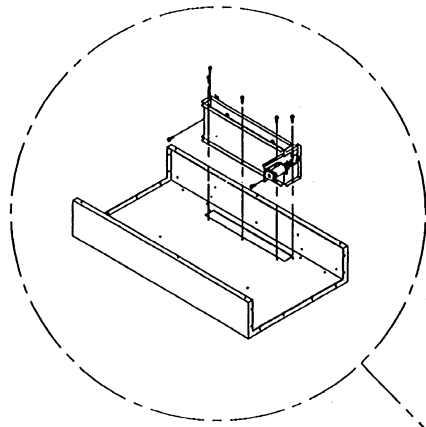
CLEVELAND RANGE INC.
1333 East 179th St., Cleveland, Ohio 44110-2574

BOSTON MARKET ROTISSERIE

AIR PERFORMANCE FAN ASSEMBLY

ASY005

Section 1 - Assembly Drawings



NOTE:
P/N RNX0009 VENT RISER ASSY.
(ITEMS 1-12) ARE REPRESENTED
HERE AS AN EXPLODED VIEW
FOR MANUFACTURING PURPOSES

12	6	23114	WASHER, INTERNAL TOOTH LOCK #10 S/S
11	4	107523	SCREW, HEX HEAD #10-24 X 1/4" LG S/S
10	1	107464	SCREW, PAN HD. PHILLIPS #10-24 X 1/4" LG S/S
9	2	107465	SCREW, PAN HD. PHILLIPS #10-32 X 5/16" LG S/S
8	1	WR50196	WIRE, "S" TYPE
7	2	14684	WELDNUT, #10-24, 2-HOLES
6	1	WR50197	CONNECTOR FOR "S" TYPE WIRE
5	1	WR50050	ROD, BAFFLE CONTROL, VENT RISER
4	1	WR00030	RISER ASSEMBLY, VENT - WELDMENT
3	1	WR50199	SOLENOID, 24 V
2	2	WR50048	BEARING, FLANGED 0.250 SHAFT, VENT RISER
1	1	WR50049	BAFFLE, VENT RISER
ITEM	QTY.	PART NO.	DESCRIPTION

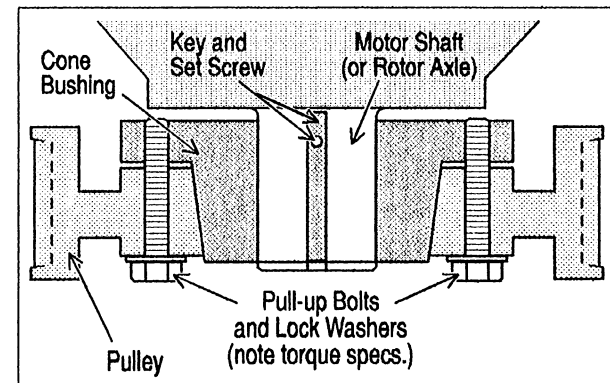
This drawing shows exploded views of the rotisserie drive system, along with various assembly details of the axle and drums, the sun and planetary gears, and the motor drive system.

The axle (#4) turns in two bearings (#31) mounted to each side wall; note the gaskets (#33) used to seal the bearings. The idler and drive end drums (#2 and #8) are axially aligned with the axle by means of hub slots that engage with spring pins (#3) pressed through the axle. The drums are then secured to the axle by cap screws (#1) that engage a flat machined into the axle (see also details A and B). These cap screws are specially machined and plated for this purpose -DO NOT SUBSTITUTE.

The drums occasionally may need to be moved inwards on the axle when cleaning the oven. When returning the drums to proper position, make sure the cap screws line up with the flats on the axle, and the slots in the hubs engage the spring pins before tightening the cap screws. Also, when returning the drive end drum assembly to position, rotationally jog the drum so the planetary gears (#10) mesh with the sun gear (#13; see detail C), then engage the hub with the right-hand spring pin. No lubrication is required for the sun and planetary gears.

Special tapered-cone bushings (#25, 0.750-inch shaft, and #27, 1.000-inch shaft) are used to secure the drive pulleys (#24 and #28) to the gearmotor shaft (#18) and the rotisserie axle (#4). The bushing is assembled to the shaft using a

keyed/slot and set screw (screw "hand tight" only). The pulleys are then slid over the tapered bushing cones (all cone surfaces must be clean and dry). When assembling, align the through-drilled bolt holes in the pulley with the drilled-and-tapped holes in the bushing. Pull-up bolts (with lock washers) are then inserted through the pulley's drilled holes, threaded into the bushing's tapped holes, and tightened alternately and evenly to the following torques: a) the smaller, 0.750 shaft: 108 in-lbs.; b) the larger, 1.000-inch shaft:



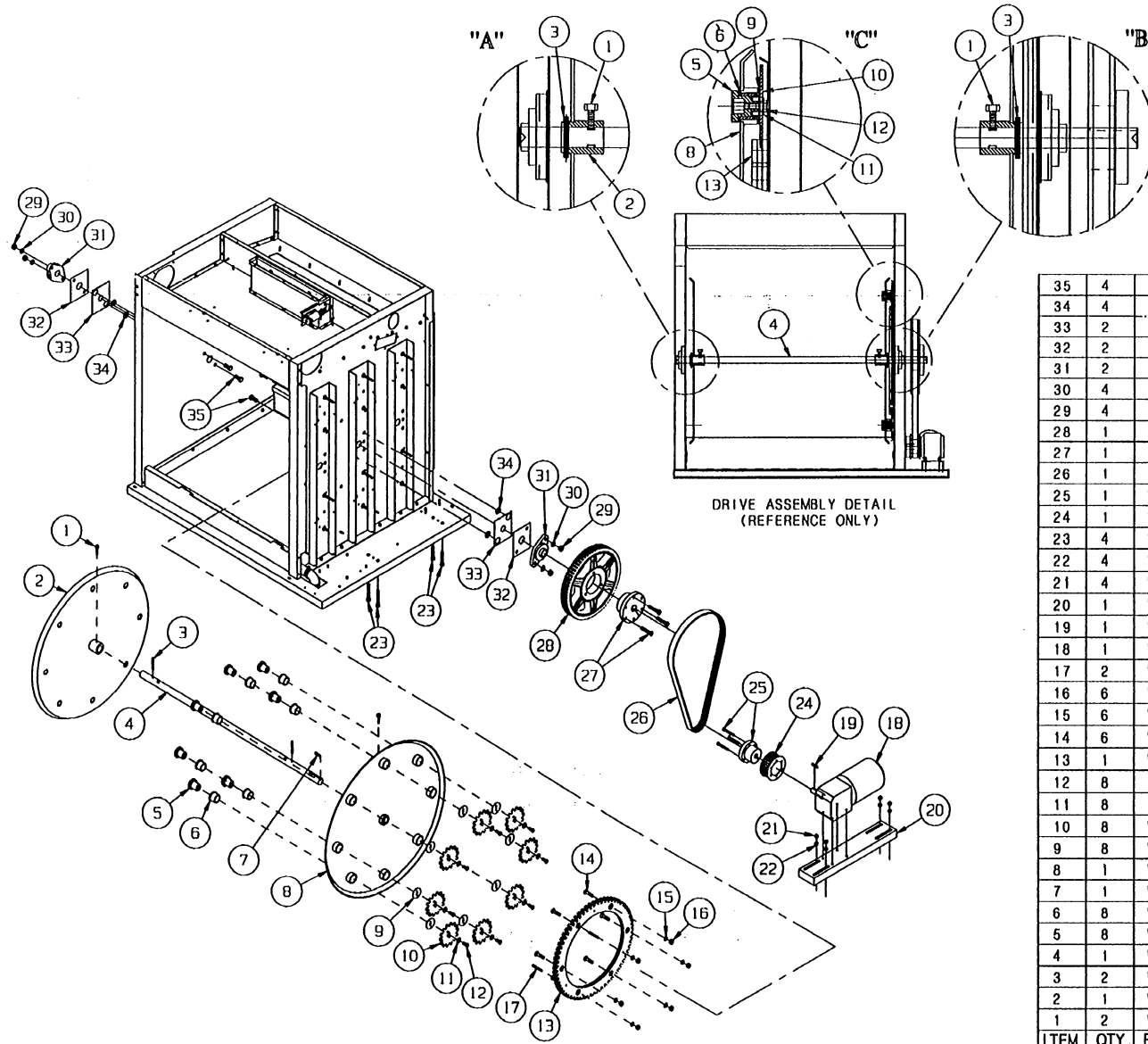
360 in-lbs. (To remove the pulleys, the pull-up bolts must be removed and threaded into the pulley's tapped holes and brought to bear on the bushing's flange. The cone grip is then broken by alternately tightening the bolts.)

Adjust the tension of the drive belt (#26) so that you can twist the belt, by hand, no more than half a twist. Tension is adjusted by sliding the motor support bracket in its slots and tightening the hex nuts (#21).

Gear Drive Assembly

ASY007

Section 1 - Assembly Drawings



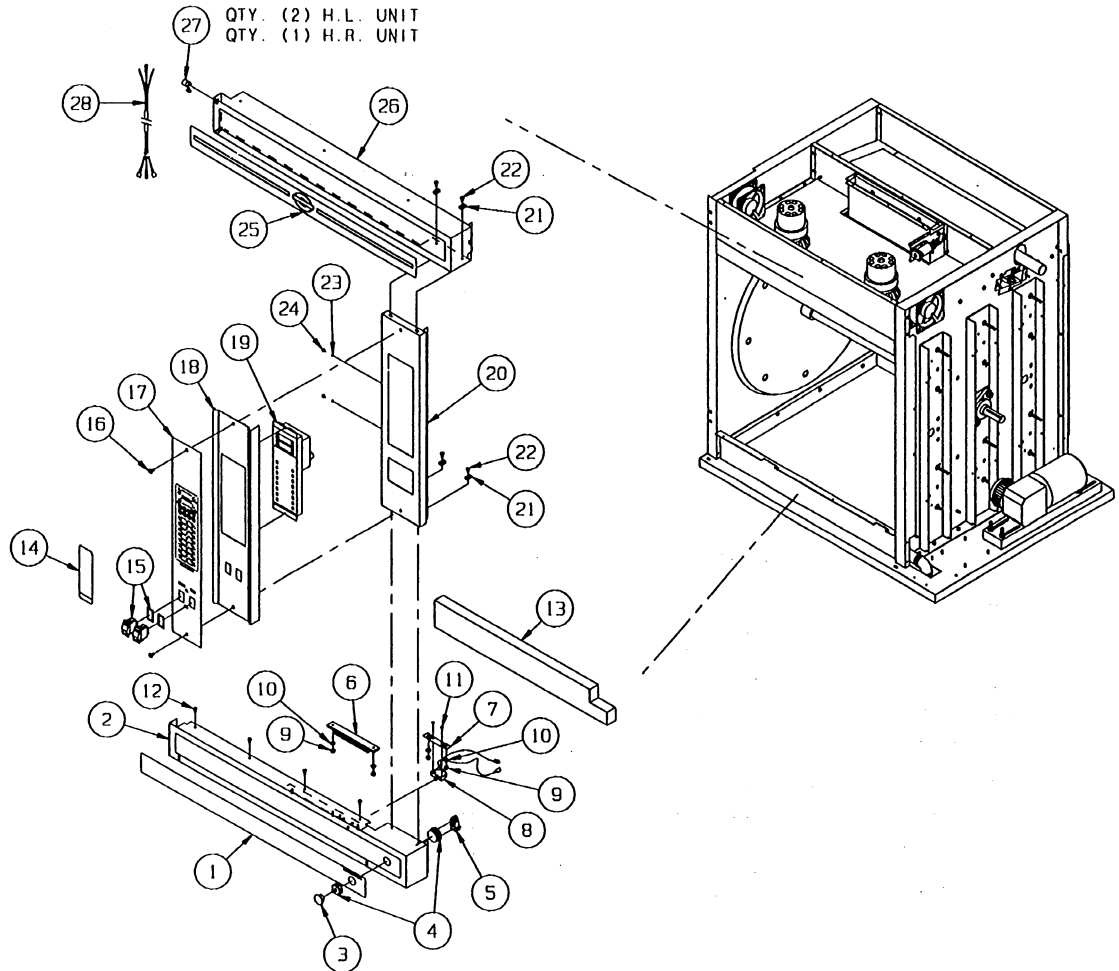
ITEM	QTY.	PART NO.	DESCRIPTION
35	4	WR50166	BOLT, HEX HEAD 7/16-14 X 1-1/2 18-8 S/S
34	4	101768	WASHER, FLAT 0.515 X 0.875 X 0.063
33	2	WR50072	GASKET, SHAFT, SILICONE RUBBER
32	2	WR50073	PLATE, GASKET RETAINER, SHAFT
31	2	WR50074	BEARING, FLANGE 1.00" DIA. MAIN SHAFT
30	4	WR50169	WASHER, LOCK 7/16 18-8 S/S
29	4	WR50168	NUT, FULL HEX 7/16-14 18-8 S/S
28	1	WR50081	PULLEY, DRIVE-TIMING BELT
27	1	WR50079	BUSHING, SPLIT 1.00" DIA. SHAFT
26	1	WR50078	BELT, TIMING 51.00" LG. X 1.00" W.
25	1	WR50080	BUSHING, SPLIT 0.750" DIA. SHAFT
24	1	WR50082	PULLEY, MOTOR-TIMING BELT
23	4	WR50160	BOLT, CARRIAGE 5/16-18 X 2-1/2 ZINC PLT.
22	4	WR50162	WASHER, LOCK 5/16 ZINC PLATED
21	4	WR50161	NUT, HEX 5/16-18 ZINC PLATED
20	1	WR00035	BRACKET ASS'Y, MOTOR SUPPORT - WELDMENT
19	1	WR50134	KEY, 1/4 SQUARE X 2.00 LG.
18	1	WR51071	DC MOTOR, DRIVE, 1/4 HP 130 VOLTS
17	2	WR50132	PIN, SPRING 1/4 DIA. X 2.00 LG. S/S
16	6	WR50165	NUT, FULL HEX 3/8-16 18-8 S/S
15	6	WR50167	WASHER, LOCK 3/8 18-8 S/S
14	6	WR50164	SCREW, FLAT SOCKET CAP 3/8-16 X 1-1/2 S/S
13	1	WR00925	GEAR ASSEMBLY, DRIVE
12	8	192281	SCREW, HEX HEAD THD.LOC. 5/16-18 X 3/4
11	8	23120	WASHER, FLAT 3/8 X 7/8 X 1/16 ZINC PLTD.
10	8	WR00910	GEAR ASSEMBLY, SKEWER DRUM
9	8	WR50908	WASHER, THRUST DRUM
8	1	WR00928	DRUM ASSEMBLY, DRIVE END
7	1	WR50133	KEY, 3/16 SQUARE X 1.625 LG.
6	8	WR50906	BEARING, DRUM
5	8	WR50907	SOCKET, SKEWER, DRUM
4	1	WR50947	AXLE, DRUM
3	2	WR50132	SPRING PIN, 1/4 DIA. X 2.00 LG. S/S
2	1	WR00931	DRUM ASSEMBLY, IDLER END
1	2	WR509331	SCREW, HEX HEAD CAP, 3/8-16 UNC X 5/8 LG

CLEVELAND RANGE INC.
1333 East 179th St. Cleveland, Ohio 44110-2574

BOSTON MARKET ROTISSERIE

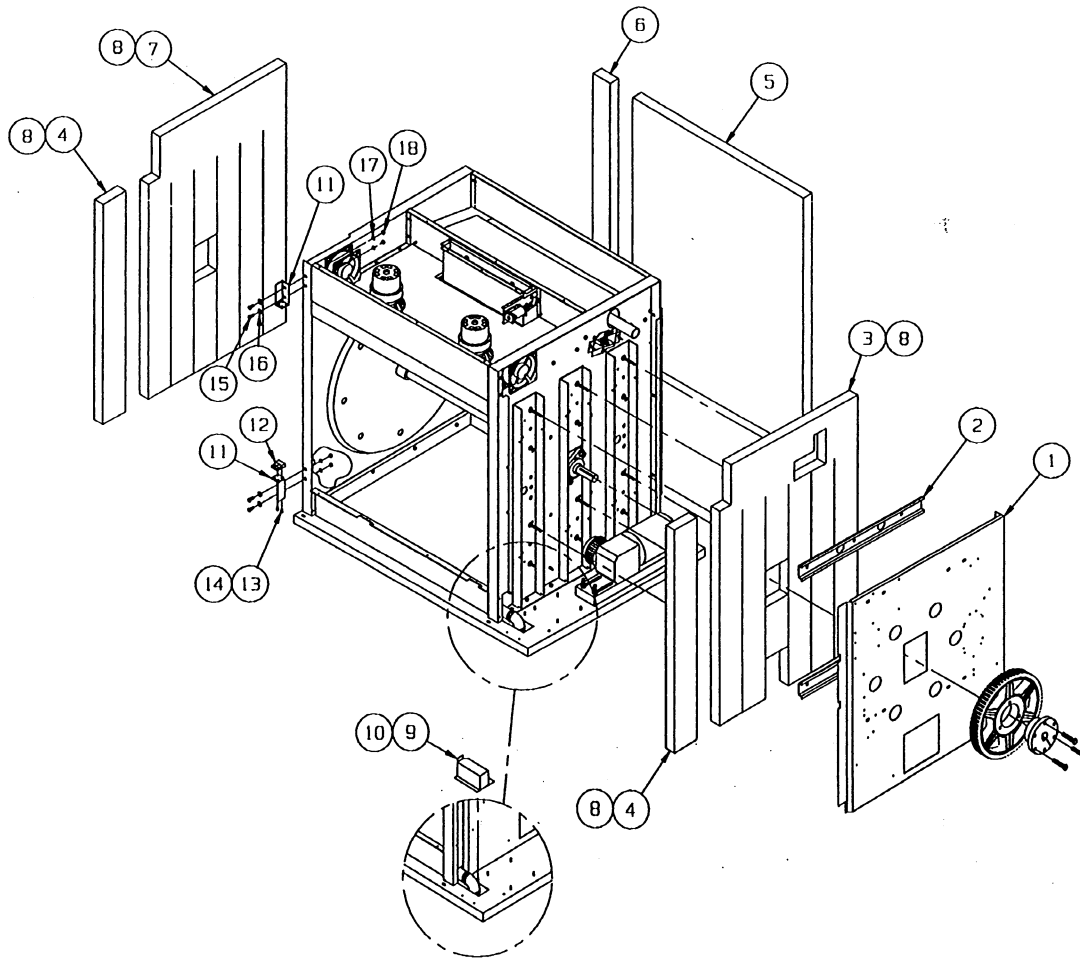
GEAR DRIVE ASSEMBLY

ASY007



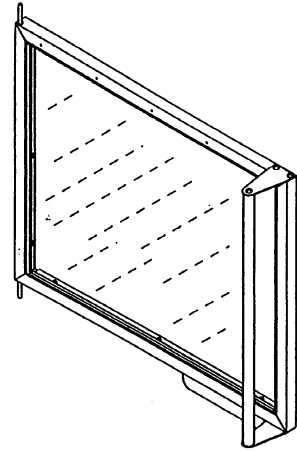
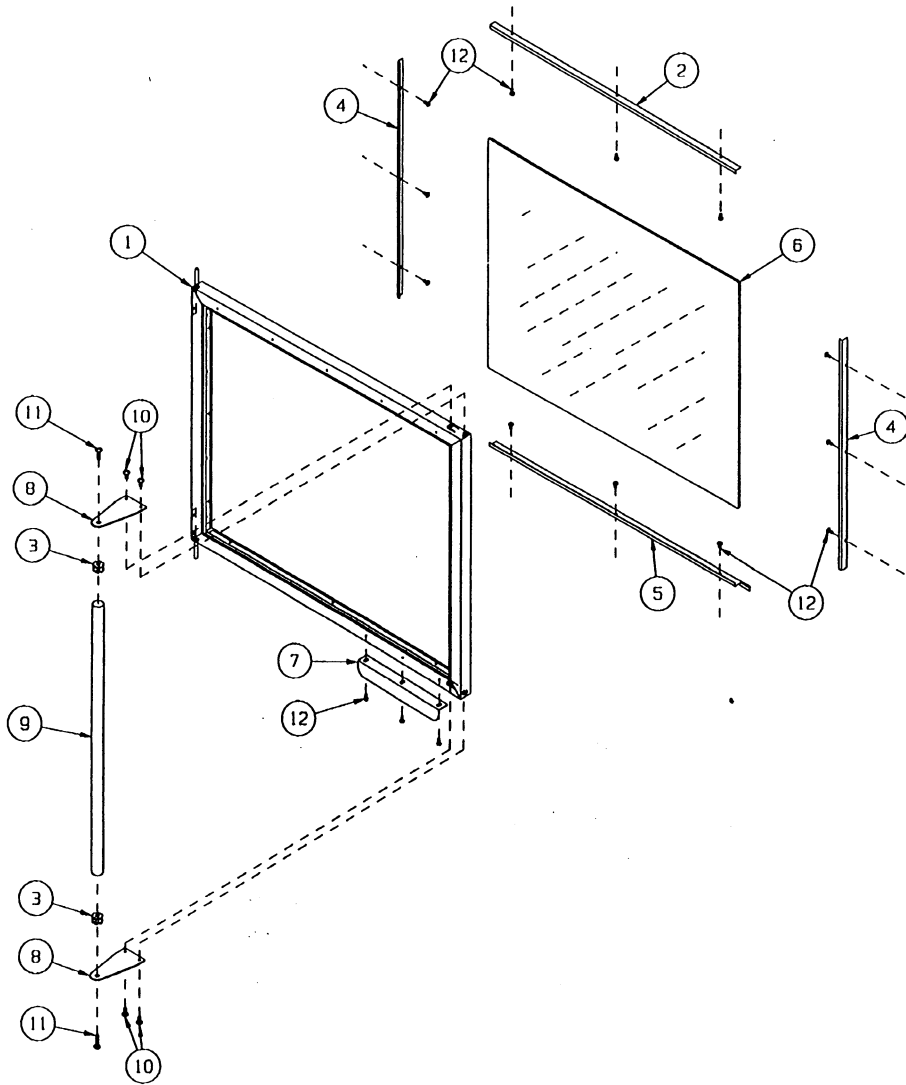
28	1	WR50267	CORD. LAMP. LIGHTING. H.R.
		WR50266	CORD. LAMP. LIGHTING. H.L.
27	-	WR50262	BUSHING, STRAIN RELIEF, RIGHT ANGLE
26	1	WR50261	BODY, TOP FRONT H.R.
		WR50260	BODY, TOP FRONT H.L.
25	1	WR50054	LABEL, TOP PANEL
24	2	14659	NUT, HEX #10-24 S/S
23	2	23114	WASHER, LOCK, INTERNAL TOOTH #10 S/S
22	4	101231	SCREW, TRUSS HEAD #10-24
21	4	106699	NUT, SLIP-ON #10-24
20	1	WR00237	SUPPORT ASSEMBLY, CONTROL PANEL
19	1	WR50092	COMPUTER, VERTICAL MODULAR
18	1	WR00255	PANEL ASSEMBLY, CONTROL - WELDMENT
17	1	WR50053	LABEL, CONTROL PANEL
16	2	191761	SCREW, TRUSS HEAD 1/4-20 X 1/2 S/S BLACK
15	2	106871	SWITCH, ROCKER, DPDT, ON/OFF, RED
14	1	WR50088	LABEL, MENU INSERT
13	1	1074802	INSULATION, BOTTOM FRONT 4 X 30 X 1.500
12	4	101231	SCREW, TRUSS HEAD #10-32 X 1/2 LG. S/S
11	2	105449	SCREW, TRUSS HEAD #6-32 X 0.312 LG. S/S
10	8	23116	WASHER, FLAT 1/4 X 5/8 X-.065 THK. S/S
9	4	14672	NUT, HEX LOCK ELASTIC #10-32
8	1	WR51051	SWITCH, MICRO, DOOR
7	1	WR50021	BRACKET, MICRO SWITCH MOUNTING
6	1	WR50976	MAGNET, DOOR
5	1	102533	BLOCK, CONTACT
4	1	WR51058	SWITCH, PUSHBUTTON OPERATOR
3	1	WR50179	BUTTON, PUSH 1-3/8" MUSHROOM HEAD
2	1	WR00259	BODY ASSY, FRONT LOWER, WELDMENT, H.R.
		WR00258	BODY ASSY, FRONT LOWER, WELDMENT, H.L.
1	1	WR50052	LABEL, BOTTOM PANEL, ROTISSERIE
ITEM	QTY.	PART NO.	DESCRIPTION

Section 1 - Assembly Drawings



18	4	14618	NUT, HEX 1/4-20 S/S
17	4	23105	WASHER, LOCK 1/4" KATLINK STYLE S/S
16	4	23116	WASHER, FLAT 1/4 X 5/8 X 0.065 THK S/S
15	4	19170	SCREW, HEX HEAD 1/4-20 X 0.625 LG S/S
14	A/R	104146	ADHESIVE, LOCKTITE THREAD LOCK #222
13	2	107524	SCREW, RD HD SLTD #10-32 X 0.375 LG S/S
12	1	WR50239	HINGE, BOTTOM PAD, DOOR H.R.
		WR51097	HINGE, BOTTOM PAD, DOOR H.L.
11	2	WR50240	BRACKET ASSY, HINGE TOP & BTM., DOOR H.R.
		WR50070	BRACKET ASSY, HINGE TOP & BTM., DOOR H.L.
10	A/R	00932	SEALANT, RTV, DOW CORNING 732, ALUMINUM
9	1	WR50250	COVER, DRAIN
8	A/R	107431	TAPE, INSULATION, SELF-ADHESIVE
7	1	1074042	INSULATION, LEFT, FIBERGLASS 1-1/2" DP.
6	1	1074804	INSULATION, BACK 3 X 39 X 1.500
5	1	1074803	INSULATION, BACK 30 X 39 X 1.500
4	2	1074043	INSULATION, FIBERGLASS 33.000 X 4.000
3	1	1074041	INSULATION, RIGHT, FIBERGLASS 1-1/2" DP.
2	2	WR50035	CHANNEL SUPPORT, INSULATION RETAINER
1	1	WR50264	PANEL, INSUL. RETAINER/COMPONENT MOUNT
ITEM	QTY.	PART NO.	DESCRIPTION

Section 1 - Assembly Drawings



NOTE:
 P/N WR00960 H.L. / WR00082 H.R.
 DOOR ASSEMBLY (ITEMS 1-12) ARE
 REPRESENTED HERE AS AN EXPLODED
 VIEW FOR MANUFACTURING ASSEMBLY
 PURPOSES.

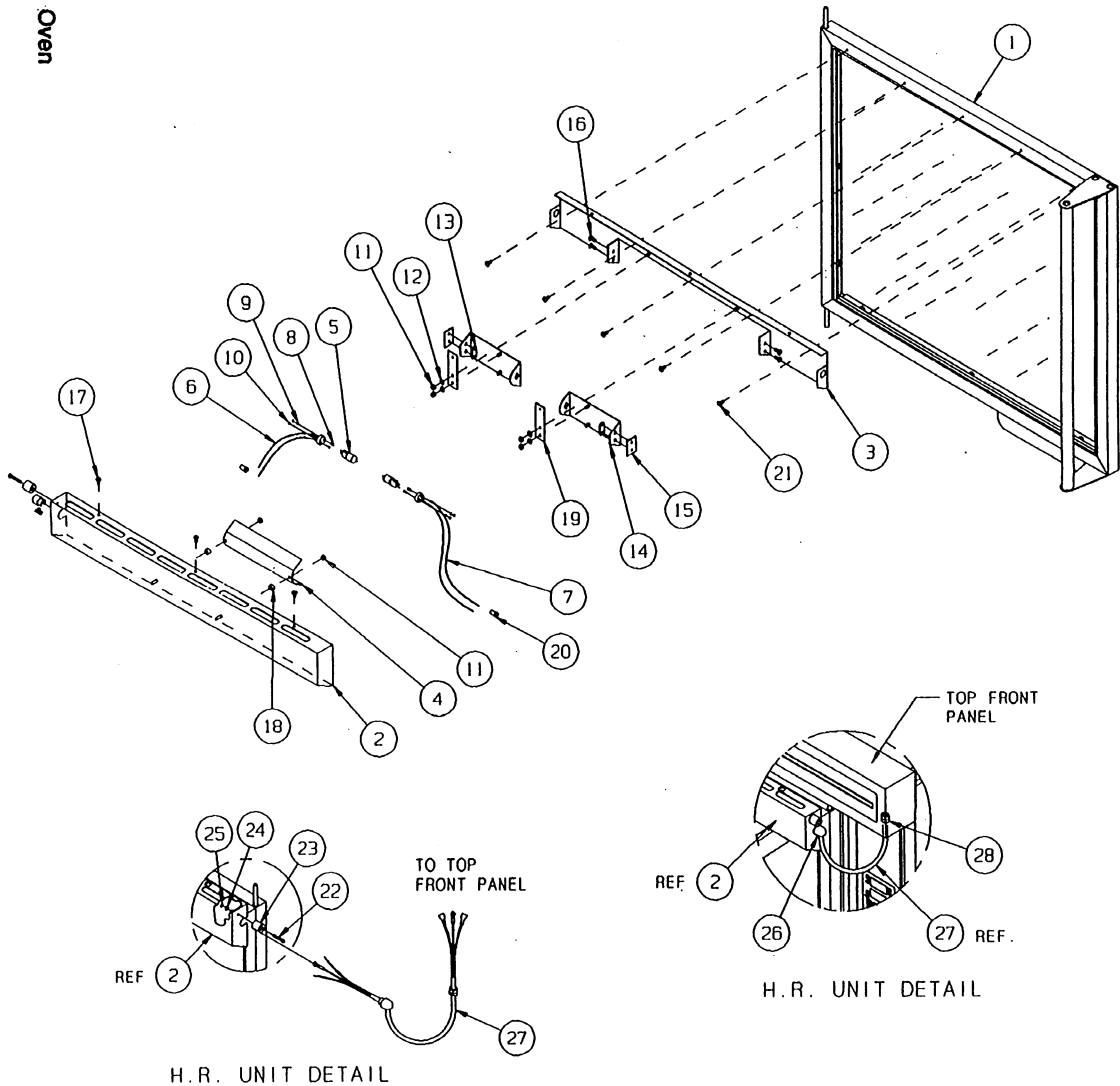
12	15	19098	SCREW, PHILLIPS HEAD #10-32 X 1/2, S/S
11	2	104719	BOLT, CARRIAGE, 1/4-20 X 1"
10	4	19176	SCREW, TRUSS HD SLTD, 1/4-20 X 1/2, S/S
9	1	WR50974	HANDLE, DOOR
8	2	WR50973	BRACKET, DOOR HANDLE
7	1	WR51088	STRIKER, DOOR MAGNET/SWITCH
6	1	WR50970	GLASS, DOOR
5	1	WR50232	PAN, DOOR DRIP
4	2	WR50965	RETAINER, GLASS, VERTICAL, INSIDE
3	2	WR50972	CONNECTOR, DOOR HANDLE
2	1	WR50966	RETAINER, GLASS, HORIZ, TOP, INSIDE
1	1	WR00060	FRAME, DOOR WELDMENT, H.R.
		WR00023	FRAME, DOOR WELDMENT, H.L.
ITEM	QTY.	PART NO.	DESCRIPTION

CLEVELAND RANGE INC.
 1333 East 179th St. Cleveland, Ohio 44110-2574

BOSTON MARKET ROTISSERIE

DOOR ASSEMBLY

ASY010

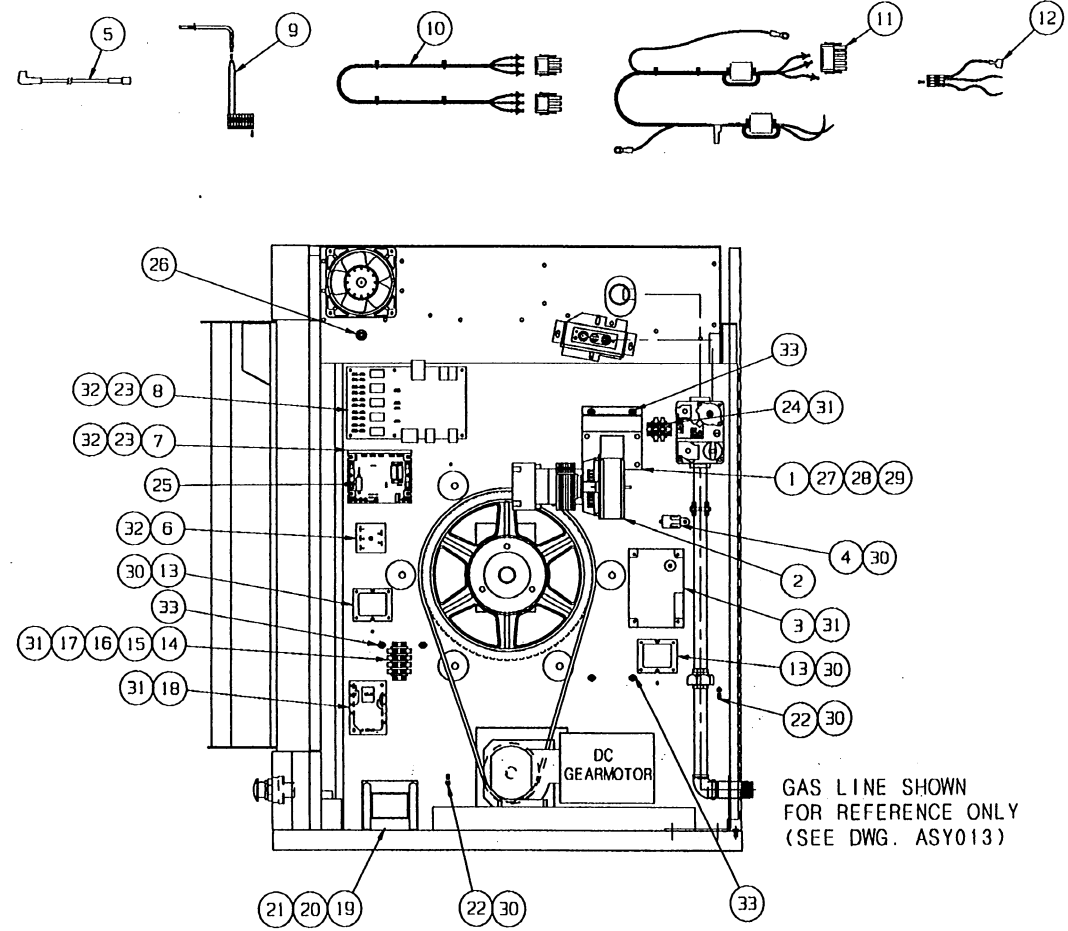


28	-	106579	BUSHING, STRAIN RELIEF, HEYCO
27	1	WR50267	CORD, LAMP, LIGHTING, H.R.
		WR50266	CORD, LAMP, LIGHTING, H.L.
26	-	WR50262	BUSHING, STRAIN RELIEF, RIGHT ANGLE
25	1	14598	NUT, HEX #8-32
24	1	102641	WASHER, SPLIT LOCK #8
23	1	107313	BUMPER, RUBBER
22	1	19150	SCREW, ROUND HEAD #8-32 X 1.250 LG.
21	5	19098	SCREW, TRUSS HEAD #10-32 X 1/2 LG.
20	2	107459	CONNECTOR, WIRE NUT (2) #22 OR (3) #16
19	2	WR502261	MOUNT, VIBRATION, LIGHTING 1 X 3
18	2	195554	SPACER, 1/4 X 1/2 X 0.243 LG. ALUMINUM
17	3	101231	SCREW, TRUSS HD. PHILLIPS #10-24 X 1/2"
16	4	19168	SCREW, PAN HEAD #10-24 X 1/2
15	2	WR50226	MOUNT, VIBRATION, LIGHTING 1 X 1-1/2
14	2	WR00227	MOUNT, ELASTIC, LAMP WELDMENT
13	2	14684	NUT, WELD #10-24 W/ 2 HOLES
12	4	101655	WASHER, FLAT #10 S/S
11	6	104616	NUT, ELASTIC LOCK #10-24
10	4	WR50153	NUT, HEX #4-40, ZINC PLATED
9	4	WR50154	WASHER, INTERNAL TOOTH #4
8	4	WR50152	SCREW, TRUSS HD. #4-40 X 3/4 LG.
7	1	WR501211	SOCKET, 2 PIN 250V 12A 28" LEADS
6	1	WR50121	SOCKET, 2 PIN 250V 12A 12" LEADS
5	2	WR50117	LAMP, HALOGEN BULB, BI-PIN, 100W, 24V
4	1	WR50120	REFLECTOR, LAMP
3	1	WR00254	BRACKET, WELDMENT, LAMP MOUNT
2	1	WR002571	SHIELD, HEAT, WELDMENT, PAINTED H.R.
		WR002561	SHIELD, HEAT, WELDMENT, PAINTED H.L.
1	1	WR00062	DOOR ASSEMBLY, H.R.
		WR00960	DOOR ASSEMBLY, H.L.
ITEM	QTY.	PART NO.	DESCRIPTION

Section 1 - Assembly Drawings

BMR-32 Rotisserie Oven

- 1-25 -



33	8	WR50163	SCREW, HEX WASH. SELF-DRILL #12-14 X 3/4
32	9	106125	SCREW, TORX SLOT PAN HEAD #10-32 X 3/4
31	10	106128	SCREW, TORX SLOT PAN HEAD, #6-32 X 1
30	7	106123	SCREW, TORX SLOT PAN HEAD, #10-32 X 1/2
29	4	19170	SCREW, HEX HEAD 1/4-20 X 5/8 S/S
28	4	14618	NUT, HEX 1/4-20 S/S
27	4	23105	WASHER, LOCK 1/4" KATLINK STYLE, S/S
26	1	WR50201	FITTING, 3/16T X 1/4NPT STR. (3/16 PROBE)
25	1	WR50189	FUSE, 12 AMP (ABC12)
24	1	44168	TERMINAL BLOCK ASSY, 2-POLE
23	8	107313	BUMPER, RUBBER 3/4 DIA. X 0.781 LG.
22	2	20333	TERMINAL, RING, #8, 16-14 AWG
21	4	14659	NUT, HEX #10-24 S/S
20	4	23114	WASHER, LOCK INTERNAL TOOTH #10 S/S
19	1	WR50099	TRANSFORMER, LIGHTS 120V TO 22V @ 200W
18	1	WR50191	TIMER, 1.5 SECOND DELAY, 120 VAC
17	5	20326	TERMINAL CONNECTOR .032 X .250, MALE 45°
16	6	20325	TERMINAL CONN, MALE STR. .032 X .250
15	1	20327	TERMINAL CONNECTOR .032 X .250, MALE 90°
14	1	02192	RELAY, TERMINAL BLOCK, 4 TERMINAL
13	2	20528	TRANSFORMER, SPARK IGNITION SUPPLY, HONEYWELL
12	1	WR50111	CABLE, MOTOR CONTROL, ADAPTER
11	1	WR50110	HARNESS, POWER SUPPLY
10	1	WR50109	HARNESS, COMMUNICATION
9	1	WR50091	PROBE, THERMISTOR (W/LEADS & CONNECTOR)
8	1	WR50090	BOARD ASSEMBLY, R.I.B.
7	1	WR50037	PC BOARD ASSEMBLY, DC DRIVE
6	1	WR50106	TIMER, 30 MIN. FIXED DELAY
5	1	WR50100	IGNITION CABLE ASSEMBLY
4	1	WR51047	BUZZER, MIMI - 24V CLASS B
3	1	107494	MODULE, CONTROL IGNITION, CHANNEL PRODUCTS
2	1	1074961	BLOWER ASSY, COMBUSTION FAN
1	1	WR01027	BRACKET ASSEMBLY, BLOWER AIR HOSE
ITEM	QTY.	PART NO.	DESCRIPTION

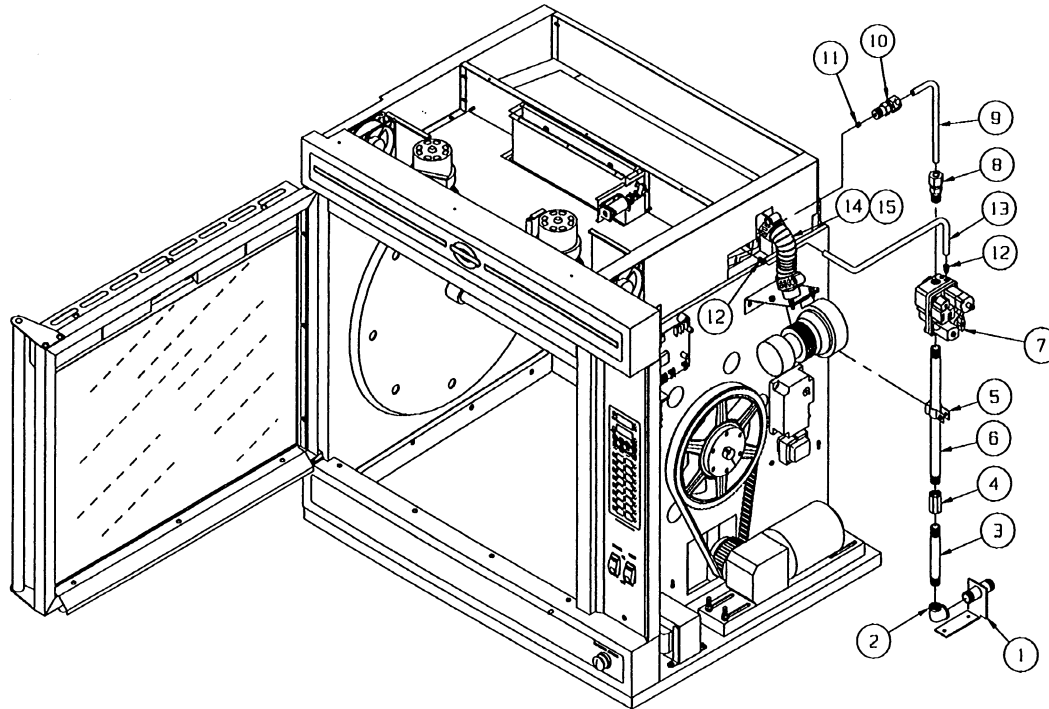
CLEVELAND RANGE INC.
1333 East 179th St. Cleveland, Ohio 44110-2574

BOSTON MARKET ROTISSERIE

DRIVE CONTROL ASSEMBLY

ASY012

Section 1 - Assembly Drawings



15	2	102018	CLAMP, HOSE, WORM DRIVE
14	1	WR51029	HOSE, HIGH TEMP. REINFORCED
13	1	WR50178	TUBE, 1/4" GAS LINE (VALVE TO IGNITOR)
12	2	06245	FITTING, COMP. 1/4T X 1/8 NPT. BREAK AWAY FERRULE
11	1	WR50176	ORIFICE, GAS #26 DRILL HOLE
10	1	WR50175	FITTING, COMP. 1/4 NPT X 1/2 T. TAP 11/32 NS
9	1	WR50177	TUBE, 1/2" DIA. X 90° - GAS LINE
8	1	06206	FITTING, COMPRESSION 3/4" NPT X 1/2 TUBE
7	-	1057821	VALVE, GAS, LP GAS
	-	105782	VALVE, GAS, NATURAL GAS
6	1	14292	NIPPLE, 1/2" NPT X 14" LG. BLACK
5	1	WR50188	CLAMP, 3/4" PIPE
4	1	21302	UNION COUPLING, 1/2" NPT BLACK
3	1	14339	NIPPLE, 1/2" NPT X 6" LG. BLACK
2	1	05271	ELBOW, 1/2" X 3/4" BLACK
1	1	WR00042	BRACKET ASSEMBLY, 3/4" GAS PIPE, WELDMENT
ITEM	QTY.	PART NO.	DESCRIPTION

CLEVELAND RANGE INC.
1333 East 179th St. Cleveland, Ohio 44110-2574

BOSTON MARKET ROTISSERIE

GAS PLUMBING ASSEMBLY

ASY013