



Operators Manual

Installation, Operation & Service

Electric Floor Model Kettles

For units built after August 1999

MODELS:

KEL-25, KEL-30, KEL-40, KEL-40-SH, KEL-60, KEL-80, KEL-100
KEL-25-T, KEL-40-T, KEL-60-T, KEL-80-T, KEL-100-T
KEL-40-SH, KEL-40-TSH, KEL-60-SH, KEL-60-TSH



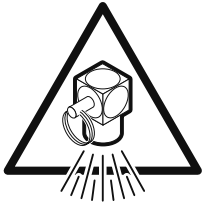
Enodis

1333 East 179th St., Cleveland, Ohio, U.S.A. 44110

Phone: (216) 481-4900 Fax: (216) 481-3782
Visit our web site at www.clevelandrange.com

For your safety

DANGER

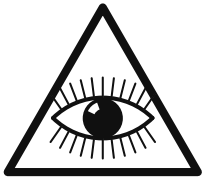


Keep clear of pressure relief discharge.

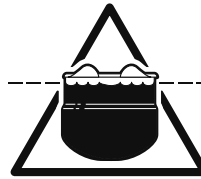


Keep hands away from moving parts and pinch points.

IMPORTANT



Inspect unit daily for proper operation.



Do not fill kettle above recommended level marked on outside of kettle.

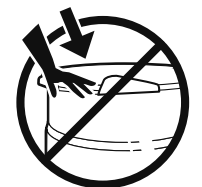
CAUTION



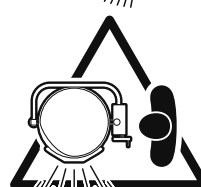
Surfaces may be extremely hot! Use protective equipment.



Wear protective equipment when discharging hot product.

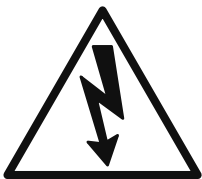


Do not lean on or place objects on kettle lip.

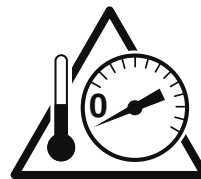


Stand clear of product discharge path when discharging hot product.

SERVICING

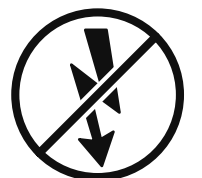


Shut off power at main fuse disconnect prior to servicing.



Ensure kettle is at room temperature and pressure gauge is showing zero or less prior to removing any fittings.

GAS APPLIANCES



Do not attempt to operate this appliance during a power failure.



Keep appliance and area free and clear of combustibles.

INSTALLATION

GENERAL

Installation of the kettle must be accomplished by qualified electrical installation personnel working to all applicable local and national codes. Improper installation of product could cause injury or damage.

This equipment is built to comply with applicable standards for manufacturers. Included among those approval agencies are: UL, NSF, ASME/Ntl. Bd., CSA, CGA, ETL, and others. Many local codes exist, and it is the responsibility of the owner/installer to comply with these codes.

Note: Maximum voltage for LVD (low volt directive for Europe) to be 440 volts for CE marked appliances.

INSPECTION

Before unpacking visually inspect the unit for evidence of damage during shipping.

If damage is noticed, do not unpack the unit, follow Shipping Damage Instructions shown below.

SHIPPING DAMAGE INSTRUCTIONS

If shipping damage to the unit is discovered or suspected, observe the following guidelines in preparing a shipping damage claim.

1. Write down a description of the damage or the reason for suspecting damage as soon as it is discovered. This will help in filling out the claim forms later.
2. As soon as damage is discovered or suspected, notify the carrier that delivered the shipment.
3. Arrange for the carrier's representative to examine the damage.
4. Fill out all carrier claims forms and have the examining carrier sign and date each form.

INSTALLATION

The first installation step is to refer to the Specification Sheets or Specification Drawings for detailed clearance and drain requirements in order to determine the location of the kettle. Next, carefully cut open the shipping carton for easy removal of the kettle.

CLEARANCE REQUIREMENTS & RECOMMENDED FLOOR DRAIN LOCATIONS

Clearance Requirements			
Back	Left Side	Right Side *	
0	0	12'	

* Minimum recommended clearance for service

Tilting Models

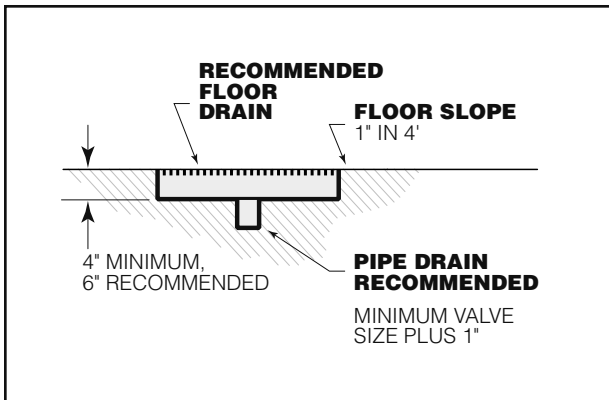
Stationary Models

Recommended Floor Drain Locations **

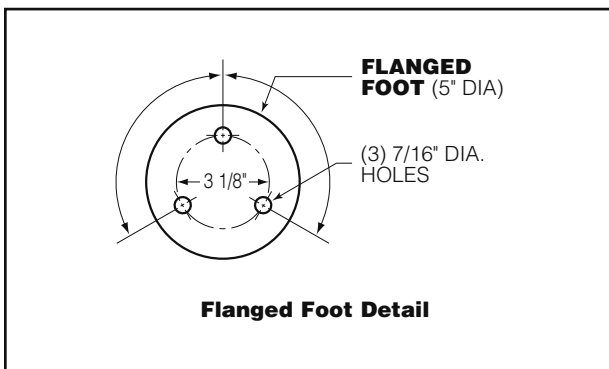
Model #	A	B	C	D
KEL-25	22 3/8"	34"	5 1/4"	11 1/4"
KEL-30	25 3/8"	37"	6 3/4"	12 3/4"
KEL-40	28 5/8"	40"	7 3/4"	13 3/4"
KEL-40-SH	32 1/2"	44"	9 1/2"	15 1/2"
KEL-60	32 1/2"	44"	9 1/2"	15 1/2"
KEL-80	35 7/8"	47"	11 1/4"	17 1/4"
KEL-100	38 3/8"	50"	12 1/2"	18 1/2"
KEL-25-T	22 1/4"	51 3/4"	4"	24"
KEL-40-T	26	56	5 1/2"	28 1/2"
KEL-60-T	29 3/4"	62 1/2"	5 1/2"	31"
KEL-80-T	30 1/2"	65 3/8"	5 1/2"	35 1/2"
KEL-100-T	34 1/8"	69 1/4"	4"	40 1/2"

** Above dimensions apply to standard 2" Tangent Draw-Off Valve only. For other valves consult factory.

RECOMMENDED FLOOR DRAIN DETAIL



ASSEMBLY



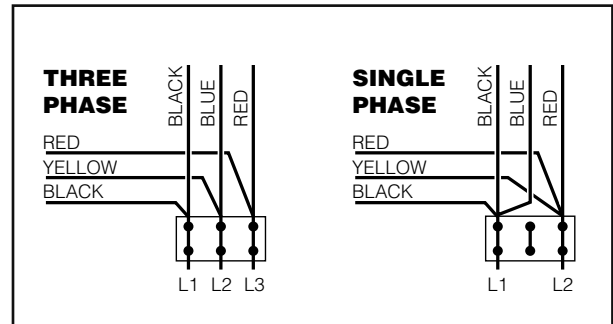
Position the kettle in its permanent location, and level the kettle by turning the adjustable flanged feet. Once positioned and leveled, permanently secure the kettle's flanged feet to the floor using 5/16" lag bolts and floor anchors (supplied by the installer). There are three bolts required to secure each of the flanged feet.

WIRE CONNECTION

Install in accordance with local codes and/or the National Electric Code ANSI/NFPA No. 70-1990 (USA) or the Canadian Electric Code CSA Standard C22.1 (Canada). A separate fused disconnect switch must be supplied and installed. The kettle must be electrically grounded by the installer.

The electrical supply must match the power requirements specified on the kettle's rating plate. The copper wiring must be adequate to carry the required current at the rated voltage.

Note: Maximum voltage for LVD (low voltage directive for Europe) to be 440 volts for CE marked appliances.



The kettle is wired for 3-phase operation at the factory. For single phase operation, rewire the terminal block to that shown in the above diagram.

Note: Ensure main power is turned off before connecting wires.

Stationary Models

Remove the screws securing the dome-shaped service cover underneath the kettle and remove the cover. A wiring diagram is affixed to the inside of cover. Fasten permanent copper wiring to the three-connection terminal block. Be sure to connect ground wire to the separate ground terminal connector (ground lug). Slide the cover's slot over the wiring and secure the cover to kettle with the screws.

Tilting Models

First remove the handwheel by loosening the allen screw. Then remove the two screws at the front and rear of the console cover and remove the cover. A wiring diagram is affixed to the underside of the console cover. Feed permanent copper wiring through the cut-out in the bottom of the console, and fasten to the three-connection terminal block. Be sure to connect the ground terminal connector (ground lug). Replace the console cover and handwheel.

WATER

The sealed jacket of the electric kettle is precharged with the correct amount of a water-based formula, and therefore, no water connection is required to the kettle jacket. The kettle can be equipped with optional hot and cold water taps, the taps require 1/2" copper tubing as supply lines.

INSTALLATION CHECKS

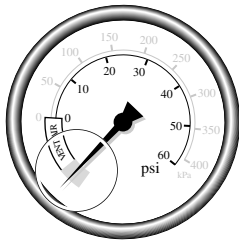
Although the kettle has been thoroughly tested before leaving the factory, the installer is responsible for ensuring the proper operation of kettle once installed.

Visual Checks

1. Check Tilting (tilting kettles):
 - A/ Gearbox tilts kettle smoothly and freely.
2. Insure there are:
 - A/ Three lag bolts securely holding each foot
 - B/ The bottom cover (stationary kettles) is in place and held with a nut.
 - C/ The console cover (tilting kettles) is in place and held with a screw.

Performance Checks

1. Supply power to the kettle by placing the



fused disconnect switch to the "ON" position.

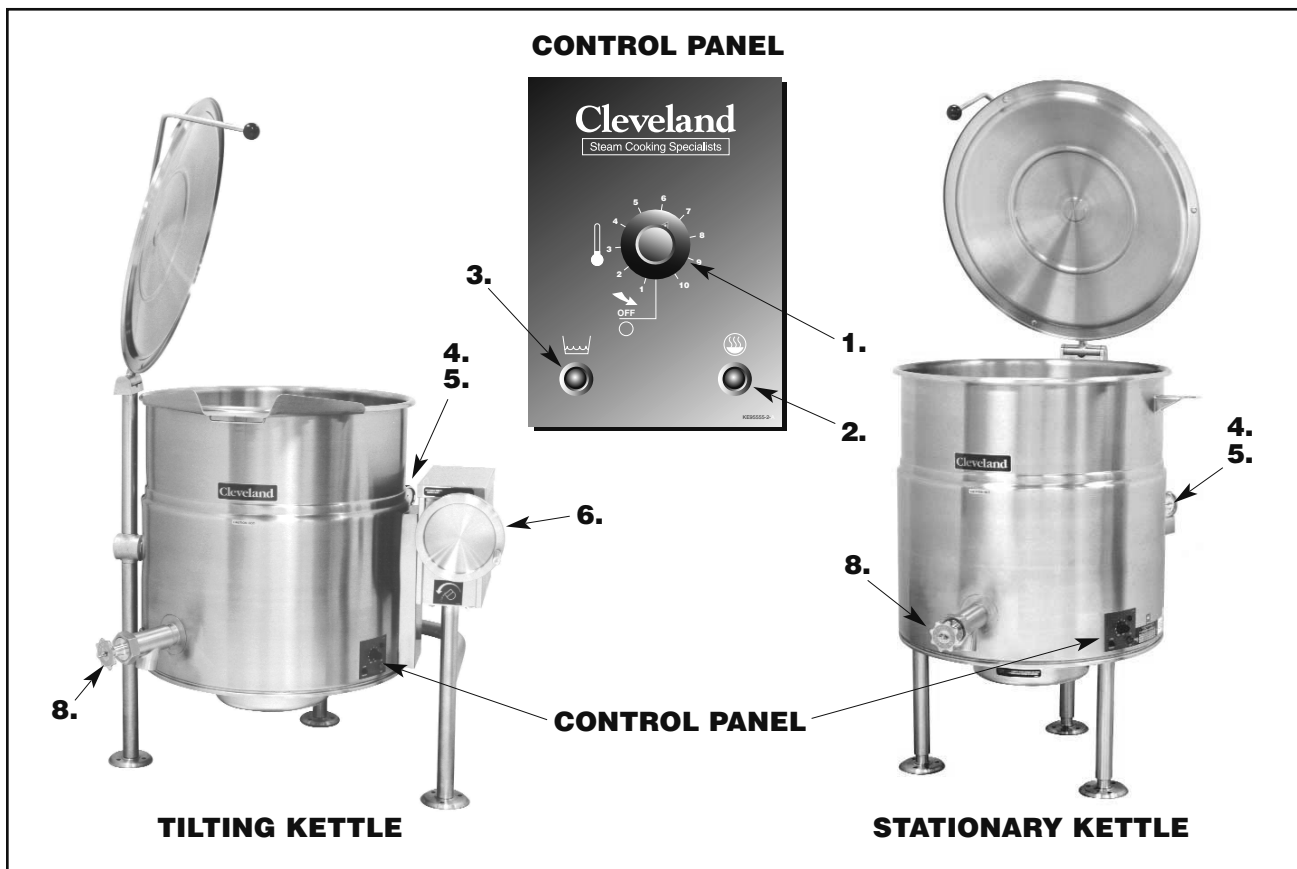
2. Before turning the kettle on, read the Vacuum/Pressure Gauge (4). The gauge's needle should be in the green zone. If the needle is in the "VENT AIR" zone, follow Kettle Venting Procedure in the Service Manual.
3. Turn the kettle's ON/OFF Switch/Solid State Temperature Control (1) to "1" (Min.). The Heat Indicator Light (Green) (2) should remain lit, indicating the element is on, until the set temperature is reached (130°F/54°C). Then the green light will cycle on and off, indicating the element is cycling on and off to maintain temperature.
4. Tilt the kettle forward (tilting models only). After a few moments the Low Water Indicator Light (Red) (3) should be lit when the kettle is in a tilted position. This light indicates that the element has automatically been shut off by the kettle's safety circuit. This is a normal condition when the kettle is in a tilted position.

5. Raise the kettle to the upright position. The Low Water Indicator Light (Red) (3) should go out when the kettle is upright.
6. Turn the ON/OFF Switch/Solid State Temperature Control (1) to "10" (Max.) and allow the kettle to preheat. The green light should remain on until the set temperature (260°F/127°C) is reached. Then the green light will cycle ON and OFF, indicating the element is cycling ON and OFF to maintain temperature. Fill the kettle with cold water to the steam jacket's welded seam. Refer to the Temperature Range Chart for the time required to bring the water to a boil.
7. When all testing is complete, empty the kettle and turn the ON/OFF Switch/Solid State Temperature Control (1) to the "OFF" position.

CLEANING

After installation the kettle must be thoroughly cleaned and sanitized prior to cooking.

OPERATING INSTRUCTIONS



General Parts Drawing

ITEM #	DESCRIPTION	FUNCTION
1.	On-Off Switch/Solid State Temperature Control	Turns kettle ON/OFF and allows the operator to adjust the kettle temperature in increments from 1 (Min.) to 10 (Max.). (see Temperature Range Chart in the Operating Instructions section).
2.	Heat Indicator Light (Green)	When lit, indicates that the kettle element is on. Cycles ON-OFF with element.
3.	Low Water Indicator Light (Red)	When lit, indicates that the kettle is low on water and will not operate in this condition. This will also light when the kettle is tilted.
4.	Vacuum/Pressure Gauge	Indicate steam pressure in PSI inside steam jacket as well as vacuum in inches of mercury.
5.	Pressure Relief Valve (not shown)	This valve is used to vent the kettle and in the unlikely event there is an excess steam build-up in the jacket, this valve opens automatically to relieve this pressure.
6.	Tilt Wheel	Used for tilting the kettle up or down. Some units have an optional Power Tilt Control Switch located in the same position.
7.	Power Tilt Control Switch (not shown)	Used for tilting the kettle up or down.
8.	Tangent Draw-Off Valve	Used for draining product or wash water from kettle. It is supplied as standard equipment on stationary kettles and is optional on tilting kettles.

OPERATING THE KETTLE

DO NOT LEAN ON OR PLACE OBJECTS ON KETTLE LIP. SERIOUS INJURY COULD RESULT IF KETTLE TIPPED OVER, SPILLING HOT CONTENTS.

1. Before turning kettle on, read the Vacuum/Pressure Gauge (4). The gauges needle should be in the green zone. Once heated, the kettle's normal maximum operating pressure is approximately 10-12 psi, while cooking a water base product.
2. Ensure that the electrical service to the kettle is turned on at the fused disconnect switch.

Temperature Control Setting	Approximate Product Temperature	
	°F	°C
1. (Min.)	130	54
2.	145	63
3.	160	71
4.	170	77
5.	185	85
6.	195	91
7.	210	99
8.	230	110
9.	245	118
10. (Max.)	260	127

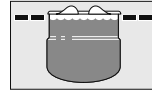
NOTE: Certain combinations of ingredients will result in temperature variations

Temperature Range Chart

3. Preheat the kettle by turning the ON/OFF Switch/Solid State Temperature Control (1) to the desired temperature setting (see above "Temperature Range Chart"). The Heat Indicator Light (Green) (2) will remain lit, indicating the burner is lit, until the temperature setting is reached. When the green light goes off, the heaters are off, and preheating is complete.

NOTE: When cooking egg and milk products, the kettle should not be preheated, as products of this nature adhere to hot cooking surfaces. These types of food should be placed in the kettle before heating is begun.

4. Place food product into the kettle. The Heat Indicator Light (Green) (2) will cycle on and off indicating the elements are cycling on and off to maintain the set temperature.



NOTE: Do not fill kettle above recommended level marked on outside of kettle.

NOTE: The Low Water Indicator Light (Red) (3) should not be lit when kettle is in upright position during operation. This light indicates that the elements have been automatically shut off by the kettle's safety circuit. It is, however, normal for the red light to come on when the kettle is in a tilted position.

5. When cooking is completed place ON/OFF Switch/Solid State Temperature Control (1) to the "OFF" position.
6. Pour the contents of the kettle into an appropriate container by tilting the kettle forward. Care should be taken to pour slowly enough to avoid splashing off the product.

NOTE: As with cleaning food soil from any cookware, an important part of kettle cleaning is to prevent food from drying on. For this reason, cleaning should be completed immediately after cooked foods are removed.

APPROXIMATE BOILING TIMES

Gals.	Ltrs.	Times in Minutes					
		Standard Wattage			High Wattage*		
		208V	240V	480V	208V	240V	480V
25	95	60	45	60	40	30	30
40	150	60	50	75	40	30	30
60	225	100	75	75	50	40	40
80	300	130	100	100	65	50	50
100	375	160	120	120	80	60	60

*High Wattage is only available with 3 phase units.

The accompanying chart shows approximate times required for electric kettles of various capacities to boil water. The ON/OFF Switch/Solid State Temperature Control (1) must be set at "10" (Max.) throughout the heatup period. Water will boil about 1/3 faster if the kettle is filled only to the outer steam jacket's welded seam, resulting in a kettle filled to 2/3 capacity.




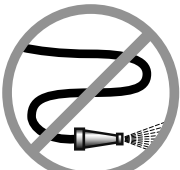

CLEANING INSTRUCTIONS



CARE AND CLEANING

Cooking equipment must be cleaned regularly to maintain its fast, efficient cooking performance and to ensure its continued safe, reliable operation. The best time to clean is shortly after each use (allow unit to cool to a safe temperature).

WARNINGS

- ⇒  Do not use detergents or cleansers that are chloride based or contain quaternary salt.
Chloride Cleaners
- ⇒  Do not use a metal bristle brush or scraper.
Wire Brush &
- ⇒  Steel wool should never be used for cleaning the stainless steel.
Steel Pads
- ⇒  Unit should never be cleaned with a high pressure spray hose.
High Pressure Spray Hose
- ⇒  Do not leave water sitting in unit when not in use.
Stagnant Water

CLEANING INSTRUCTIONS

1. Turn unit off.
2. Remove drain screen (if applicable). Thoroughly wash and rinse the screen either in a sink or a dishwasher.
3. Prepare a warm water and mild detergent solution in the unit.
4. Remove food soil using a nylon brush.
5. Loosen food which is stuck by allowing it to soak at a low temperature setting.
6. Drain unit.
7. Rinse interior thoroughly.
8. If the unit is equipped with a **Tangent Draw-Off Valve**, clean as follows:
 - a) Disassemble the draw-off valve first by turning the valve knob counter-clockwise, then turning the large hex nut counter-clockwise until the valve stem is free of the valve body.
 - b) In a sink, wash and rinse the inside of the valve body using a nylon brush.
 - c) Use a nylon brush to clean tangent draw-off tube.
 - d) Rinse with fresh water.
 - e) Reassemble the draw-off valve by reversing the procedure for disassembly. The valve's hex nut should be hand tight only.
9. If the unit is equipped with a **Butterfly Valve**, clean as follows:
 - a) Place valve in open position.
 - b) Wash using a warm water and mild detergent solution.
 - c) Remove food deposits using a nylon brush.
 - d) Rinse with fresh water.
 - e) Leave valve open when unit is not in use.
10. Using mild soapy water and a damp sponge, wash the exterior, rinse, and dry.

NOTES

- ⇒ For more difficult cleaning applications one of the following can be used: alcohol, baking soda, vinegar, or a solution of ammonia in water.
- ⇒ Leave the cover off when the kettle is not in use.
- ⇒ For more detailed instructions refer to the Nafem Stainless Steel Equipment Care and Cleaning manual (supplied with unit).

STAINLESS STEEL EQUIPMENT CARE AND CLEANING

(Supplied courtesy of Nafem. For more information visit their web site at www.nafem.org)

Contrary to popular belief, stainless steels ARE susceptible to rusting.

Corrosion on metals is everywhere. It is recognized quickly on iron and steel as unsightly yellow/orange rust. Such metals are called "active" because they actively corrode in a natural environment when their atoms combine with oxygen to form rust.

Stainless steels are passive metals because they contain other metals, like chromium, nickel and manganese that stabilize the atoms. 400 series stainless steels are called ferritic, contain chromium, and are magnetic; 300 series stainless steels are called austenitic, contain chromium and nickel; and 200 series stainless, also austenitic, contains manganese, nitrogen and carbon. Austenitic types of stainless are not magnetic, and generally provide greater resistance to corrosion than ferritic types.

With 12-30 percent chromium, an invisible passive film covers the steel's surface acting as a shield against corrosion. As long as the film is intact and not broken or contaminated, the metal is passive and stain-less. If the passive film of stainless steel has been broken, equipment starts to corrode. At its end, it rusts.

Enemies of Stainless Steel

There are three basic things which can break down stainless steel's passivity layer and allow corrosion to occur.

1. Mechanical abrasion
2. Deposits and water
3. Chlorides

Mechanical abrasion means those things that will scratch a steel surface. Steel pads, wire brushes and scrapers are prime examples.

Water comes out of the faucet in varying degrees of hardness. Depending on what part of the country you live in, you may have hard or soft water. Hard water may leave spots, and when heated leave deposits behind that if left to sit, will break down the passive layer and rust stainless steel. Other deposits from food preparation and service must be properly removed.

Chlorides are found nearly everywhere. They are in water, food and table salt. One of the worst chloride perpetrators can come from household and industrial cleaners.

So what does all this mean? Don't Despair!

Here are a few steps that can help prevent stainless steel rust.

1. Use the proper tools.

When cleaning stainless steel products, use non-abrasive tools. Soft cloths and plastic scouring pads will not harm steel's passive layer. Stainless steel pads also can be used but the scrubbing motion must be in the direction of the manufacturers' polishing marks.

2. Clean with the polish lines.

Some stainless steel comes with visible polishing lines or "grain." When visible lines are present, always scrub in a motion parallel to the lines. When the grain cannot be seen, play it safe and use a soft cloth or plastic scouring pad.

3. Use alkaline, alkaline chlorinated or non-chloride containing cleaners.

While many traditional cleaners are loaded with chlorides, the industry is providing an ever-increasing choice of non-chloride cleaners. If you are not sure of chloride content in the cleaner used, contact your cleaner supplier. If your present cleaner contains chlorides, ask your supplier if they have an alternative. Avoid cleaners containing quaternary salts; it also can attack stainless steel and cause pitting and rusting.

4. Treat your water.

Though this is not always practical, softening hard water can do much to reduce deposits. There are certain filters that can be installed to remove distasteful and corrosive elements. To insure proper water treatment, call a treatment specialist.

5. Keep your food equipment clean.

Use alkaline, alkaline chlorinated or non-chloride cleaners at recommended strength. Clean frequently to avoid build-up of hard, stubborn stains. If you boil water in stainless steel equipment, remember the single most likely cause of damage is chlorides in the water. Heating cleaners that contain chlorides have a similar effect.

6. Rinse, rinse, rinse.

If chlorinated cleaners are used, rinse and wipe equipment and supplies dry immediately. The sooner you wipe off standing water, especially when it contains cleaning agents, the better. After wiping equipment down, allow it to air dry; oxygen helps maintain the stainless steel's passivity film.

7. Never use hydrochloric acid (muriatic acid) on stainless steel.

8. Regularly restore/passivate stainless steel.

Recommended cleaners for specific situations

Job	Cleaning Agent	Comments
Routine cleaning	Soap, ammonia, detergent, Medallion	Apply with cloth or sponge
Fingerprints & smears	Arcal 20, Lac-O-Nu Ecoshine	Provides barrier film
Stubborn stains & discoloration	Cameo, Talc, Zud, First Impression	Rub in direction of polish lines
Grease & fatty acids, blood, burnt-on-foods	Easy-off, De-Grease It Oven Aid	Excellent removal on all finishes
Grease & oil	Any good commercial detergent	Apply with sponge or cloth
Restoration/Passivation	Benefit, Super Sheen	

Review

1. Stainless steels rust when passivity (film-shield) breaks down as a result of scrapes, scratches, deposits and chlorides.
2. Stainless steel rust starts with pits and cracks.
3. Use the proper tools. Do not use steel pads, wire brushes or scrapers to clean stainless steel.
4. Use non-chlorinated cleaners at recommended concentrations. Use only chloride-free cleaners.
5. Soften your water. Use filters and softeners whenever possible.
6. Wipe off cleaning agent(s) and standing water as soon as possible. Prolonged contact causes eventual problems.

To learn more about chloride-stress corrosion and how to prevent it, contact the equipment manufacturer or cleaning materials supplier.

Developed by Packer Engineering, Naperville, Ill., an independent testing laboratory.

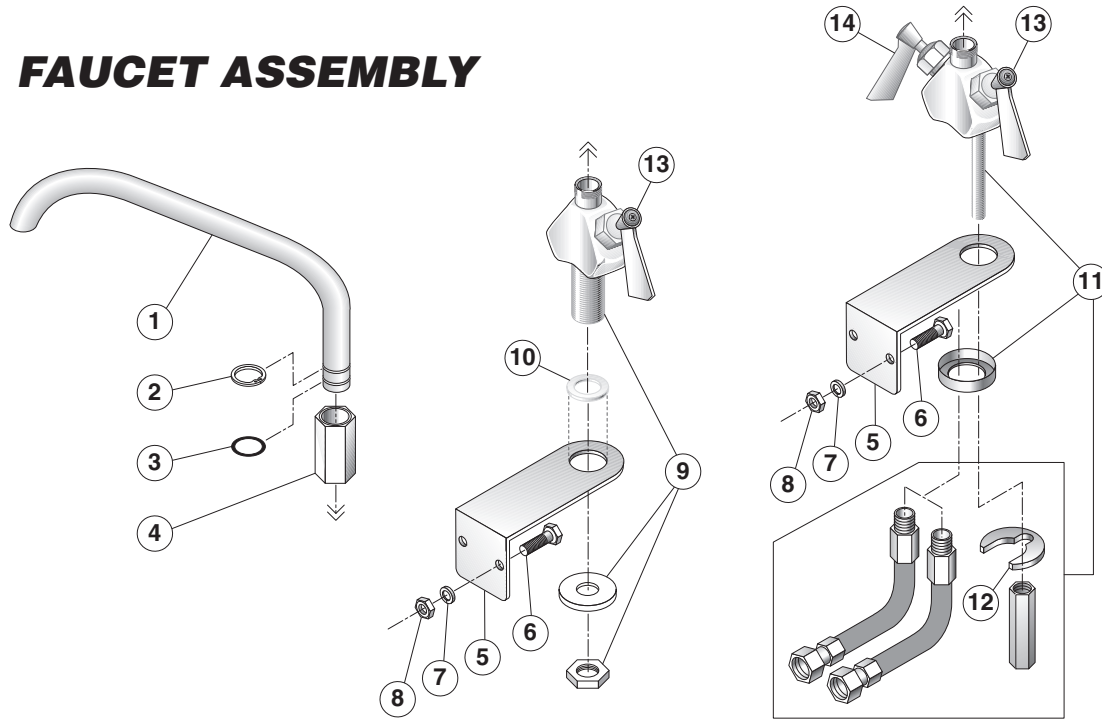
SERVICE PARTS

WARRANTY

Our Company supports a worldwide network of Maintenance and Repair Centers. Contact your nearest Maintenance and Repair Centre for replacement parts, service, or information regarding the proper maintenance and repair of your cooking equipment.

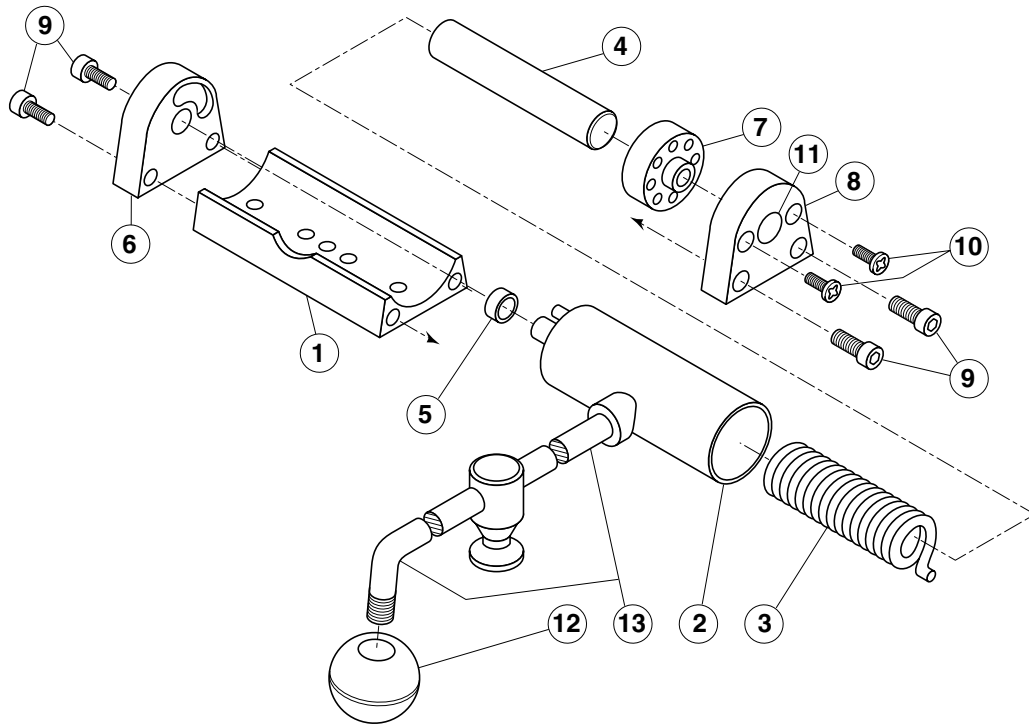
In order to preserve the various agency safety certification (UL, NSF, ASME/NTI, Bd., etc.), only factory-supplied replacement parts should be used. The use of other than factory supplied replacement parts will void warranty.

FAUCET ASSEMBLY



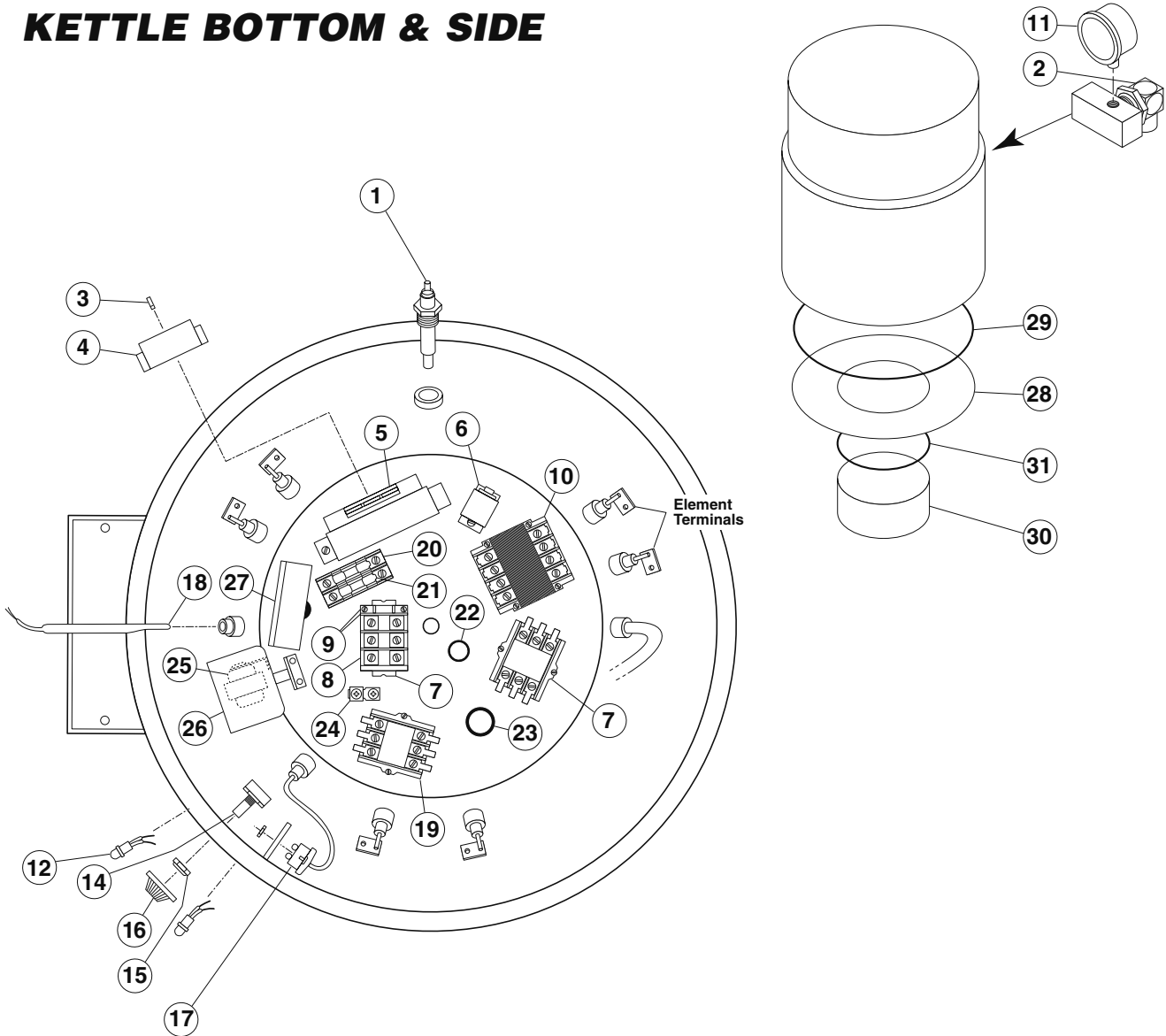
ITEM #	PART #	DESCRIPTION	QTY.
	SPK2	SINGLE PANTRY FAUCET for <u>KEL40/60/80/100T</u> (includes items 1-10)	
	DPK2	DOUBLE PANTRY FAUCET for <u>KEL40/60/80/100T</u> (includes items 1-8 & 11)	
	SPK3	SINGLE PANTRY FAUCET for <u>KEL25T</u> (includes items 1-10)	
	DPK3	DOUBLE PANTRY FAUCET for <u>KEL25T</u> (includes items 1-8 & 11)	
	SPK7	SINGLE PANTRY FAUCET for <u>KEL40/60TSH</u> (includes items 1-10)	
	DPK7	DOUBLE PANTRY FAUCET for <u>KEL40/60TSH</u> (includes items 1-8 & 11)	
	SPK5	SINGLE PANTRY FAUCET for <u>Stationary Kettles</u> (includes items 1-10)	
	DPK5	DOUBLE PANTRY FAUCET for <u>Stationary Kettles</u> (includes items 1-8 & 11)	
1.	KE50825-2	3/4" SPOUT for - SPK2 & DPK2	1
	KE50825-3	3/4" SPOUT for - SPK3 & DPK3	1
	KE50825-5	3/4" SPOUT for - SPK5 & DPK5	1
	KE50825-7	3/4" SPOUT for - SPK7 & DPK7	1
	FA95007-10	RETAINING RING	1
3.	FA05002-19	"O" RING	1
4.	KE51736	LONG FAUCET NUT	1
5.	KE54159	FAUCET MOUNTING BRACKET for <u>Tilting Kettles</u>	1
6.	FA11258	HEX CAP SCREW	2
7.	FA31029	LOCK WASHER	2
8.	FA210028	HEX NUT	2
9.	KE51401	SINGLE PANTRY BODY (c/w item 13)	1
10.	KE50335	ADAPTER WASHER	1
11.	KE51403	DOUBLE PANTRY BODY (c/w item 13 & 14)	1
12.	SE50447	REPLACEMENT HORSESHOE WASHER	1
13.	SE50021	REPLACEMENT STEM ASSEMBLY, COLD WATER	1
14.	SE50020	REPLACEMENT STEM ASSEMBLY, HOT WATER	1

HINGE ASSEMBLY



ITEM NO.	PART NO.	DESCRIPTION	QTY.
Hinge Assembly			
1. - 11	KE00597-1	25 - 40 Gallon, 20 Gallon Full Jacketed	1
	KE00597-2	60 - 80 Gallon, 30 - 40 Gallon Full Jacketed	1
	KE00597-3	100 - 150 Gallon, 60 - 100 Gallon Full Jacketed	1
	KE00597-4	KDM-60, KDM-60-T, Cook Tank	1
	KE00597-5	KDL-200, KDL-250, KDL-150-F, KDL-250-F	1
1.	KE50822	Hinge Base	1
2.	KE51217	Hinge Cylinder	1
3.	KE50121-2	Hinge Spring Light - for KE00597-2	1
	KE50121-1	Hinge Spring Heavy - for KE00597-1, KE00597-3, KE00597-4, KE00597-5, ..	1
4.	KE50823-1	Hinge Pin	1
5.	KE50824	Hinge Bearing	1
6.	KE50819-1	Hinge End Piece	1
7.	KE50820	Hinge Insert	1
8.	KE50819	Hinge End Piece	1
9.	FA11284	Screw, Socket Head	4
10.	FA11507	Cutting Screw,	2
11.	SK50418	Plug Button	1
12.	KE50151-2	Knob	1
13.		Cover Handle (specify model)	1

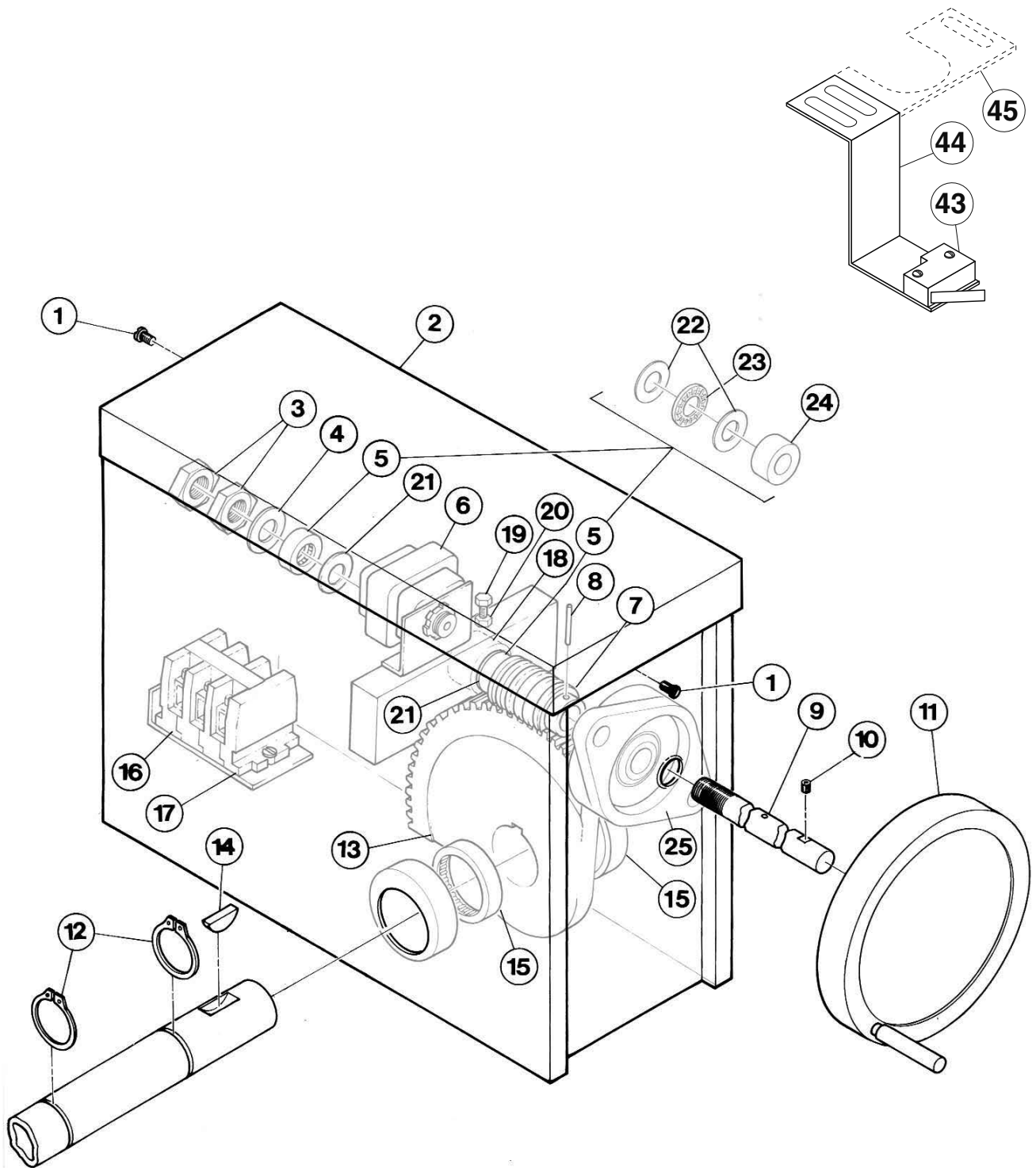
KETTLE BOTTOM & SIDE



ITEM NO.	PART NO.	DESCRIPTION	QTY.
1.	KE50556-1	Probe, Water Level	1
2.	KE54941-5	Safety Valve, 50 PSI, 1/2" (North America)	1
	KE54941-31	Safety Valve, 50 PSI, 1/2", (Europe)	1
3.	KE51226	Wire Connector Terminal	10
4.	KE51225	Edge Connector	1
5.	KE00458	Solid State Control Box	1
6.	KE50753-7	Relay, 12 VDC	1
7.	KE54761	Bracket, Terminal Block	1
8.	KE50377	Terminal Block Section (Large, White)	3
	SK50055-1	Terminal Block Section (Small)	3
9.	KE50376	Terminal Block End Section (Large, White)	1
	SK50054-1	Terminal Block End Section (Small)	1
	SK50054-2	Terminal Block End Barrier	1
10.	KE53838-11	Transformer, 380-415 to 120-220V	1
	KE53838-12	Transformer, 440-480 to 240V	1
	KE53838-13	Transformer, 600 to 240V	1

11.	KE000714-4	Pressure Gauge, for units built prior to February 2005	1
	KE50429-5	Pressure Gauge, for units built after January 2005	1
12.	SE003013-1	L.E.D., Red, Replacement Kit., (includes LED & "O" Ring)	1
	SE003013-2	L.E.D., Green, Replacement Kit., (includes LED & "O" Ring)	1
	SE003013-3	L.E.D., Amber, Replacement Kit., (includes LED & "O" Ring)	1
14.	SE00115	Potentiometer with ON/OFF Switch, c/w Item #15	1
15.	KE51005	Rubber Boot	1
16.	KE50569-1	Knob, Potentiometer	1
17.	KE55069-5	Safety Thermostat (140° C)	1
18.	KE50515	Thermistor	1
19.	KE50750-3	Contactora, 208/240V, 40 Amp. (standard kettles)	2
	KE50750-4	Contactora, 208/240V, 50 Amp. (special high wattage kettles - 6 elements)	2
	KE50750-5	Contactora, 208/240V, 60 Amp. (special high wattage kettles - 6 elements)	2
20.	KE51139-1	Fuse Holder	1
21.	KE52936-1	Fuse, 1/2 amp (used on 380 to 600V units)	1
22.	KE54833-3	Snap-In Bushing, .875"	1
23.	KE54833-4	Snap-In Bushing 1.093"	1
24.	KE50473	Ground	1
25.	KE53838-21	Transformer, 240 to 16V	1
26.	KE00688	Transformer Enclosure (stationary kettles only)	1
27.	KE50392	Bracket, Electrical Entry, 1 3/4" hole (stationary kettles only)	1
Bottom Cover - Stationary			
28.	KE601174-1	KEL-25	1
	KE601174-2	KEL-30	1
	KE601174-3	KEL-40	1
	KE601174-4	KEL-60 / 40-SH	1
	KE601174-5	KEL-80 / 60-SH	1
	KE601174-6	KEL-100	1
Bottom Cover - Tilting			
	KE50999-1	KEL-25-T	1
	KE65099-2	KEL-40-T	1
	KE50999-3	KEL-60-T / 40-TSH	1
	KE50999-4	KEL-80-T / 60-TSH	1
	KE50999-5	KEL-100-T	1
Bottom Cover Gasket - Stationary & Tilting			
29.	KE55425-5	25 Gallon	1
	KE55425-6	30 Gallon	1
	KE55425-7	40 Gallon	1
	KE55425-8	60 Gallon	1
	KE55425-9	80 Gallon	1
	KE55425-10	100 Gallon	1
Component Enclosure - Stationary			
30.	KE50389	all stationary models	1
Component Enclosure - Tilting			
	KE50471	all tilting models	1
Component Enclosure Gasket - Stationary			
31.	KE55425-16	all stationary models	1
Component Enclosure Gasket - Tilting			
	KE55425-11	all tilting models	1

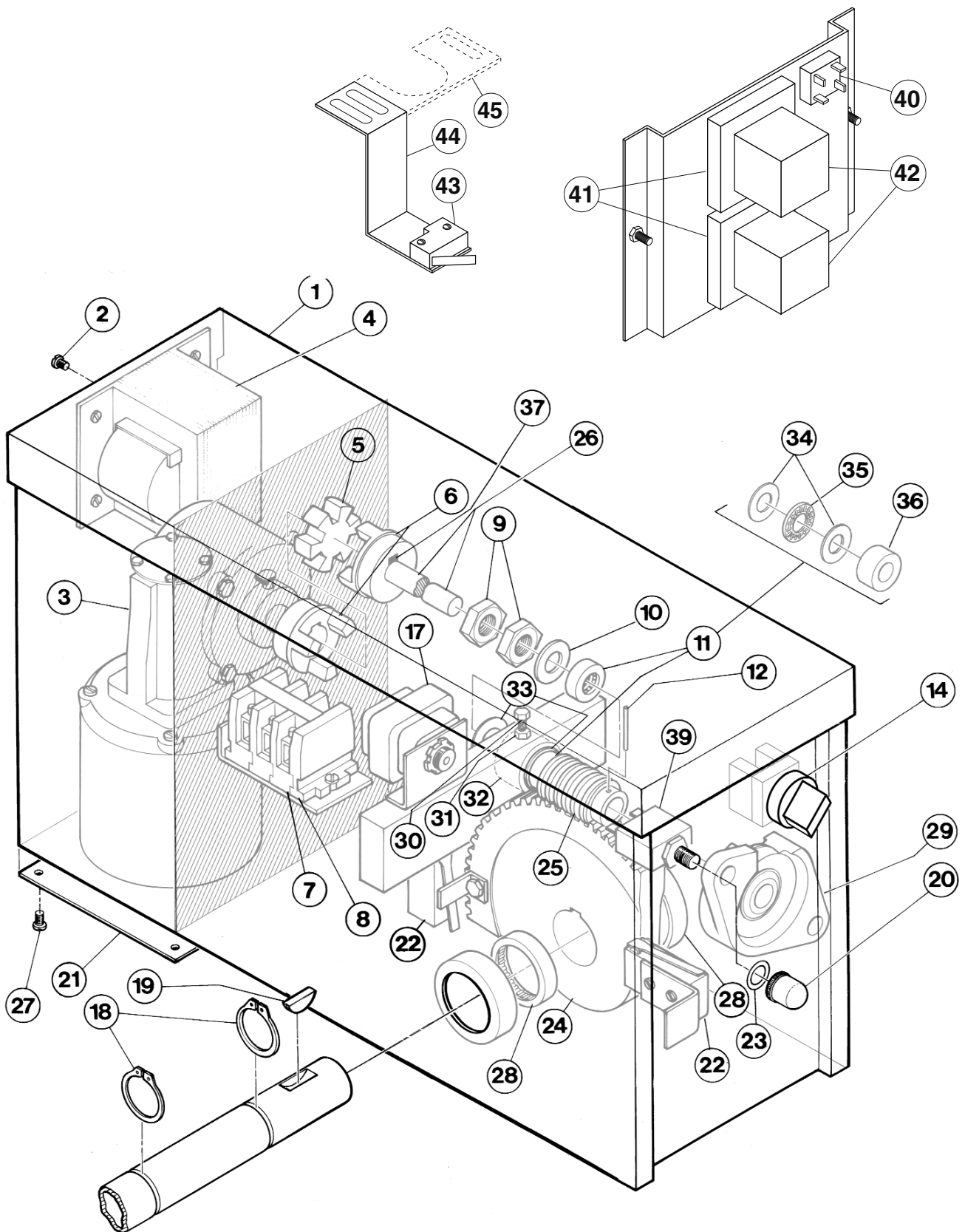
CONTROL CONSOLE COMPONENTS - HAND TILT



CONTROL CONSOLE COMPONENTS - HAND TILT

ITEM NO.	PART NO.	DESCRIPTION	QTY.
1.	FA11134	Screw, 10-24 x 3/8" SS	2
2.	KE50325	Gear Box Lid	1
3.	FA95008	Locknut, 3/4-16	2
4.	FA30088	Washer, 1 1/2" O.D. x 13/16" I.D. x .125 "W.	1
5.	SE00036	Thrust Bearing Assembly and Spacer	2
6.	KE53838-21	Transformer, 240/16V	1
7.	KE50315	Worm	1
8.	FA95005	Tension Pin	1
9.	KE50375	Tilt Shaft	1
10.	FA19505	Set Screw, hand wheel	1
11.	KE00508	Hand Wheel	1
12.	FA95007	Retaining Ring (25-40 gallon)	2
	FA95050	Retaining Ring (60 gallon & up)	2
13.	KE00151	Segment Gear (25-40 gallon)	1
	KE52833	Segment Gear (60 gallon & up)	1
14.	FA95048	Woodruff Key (25-40 gallon)	1
	FA95051	Woodruff Key (60 gallon & up)	1
15.	KE51711	Roller Bearing, trunnion (25-40 gallon)	2
	KE517111	Roller Bearing, trunnion (60 gallon & up)	2
16.	KE50377	Terminal Block Section (large, white)	3
	SK50055	Terminal Block Section (small, black)	3
17.	KE50376	Terminal Block End Section (large, white)	1
	SK50054	Terminal Block End Section (small, black)	1
18.	T40226	Bearing Assembly	1
19.	FA10623	Bolt, 5/16-24 x 1 1/2"	1
20.	FA20029	Hex Nut, 5/16-24	1
21.	KE51891	Washer, 1 1/2" O.D. x 13/16" I.D. x .037" W.	2
25.	KE51730	Bearing, tilt shaft	1
43.	SK24744500	Switch	1
44.	KE602748	Bracket, 380 & 415 Volt (60 gallon and up)	1
45.	KE602754	Bracket, 380 & 415 Volt (25-40 gallon and up)	1

CONTROL CONSOLE COMPONENTS - POWER TILT

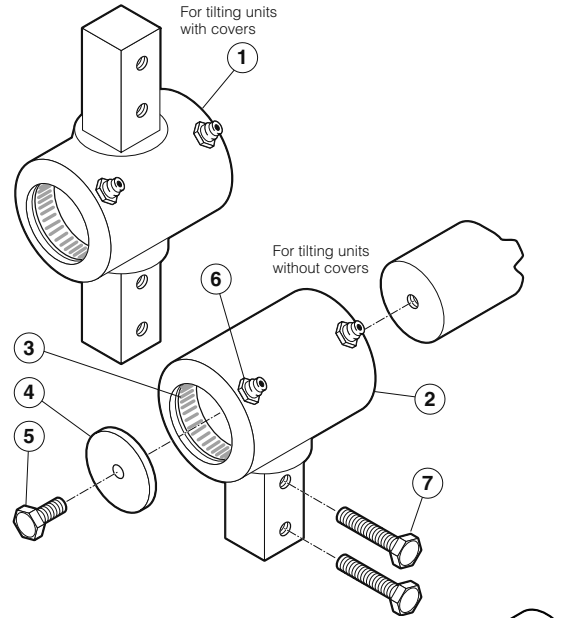


CONTROL CONSOLE COMPONENTS - POWER TILT

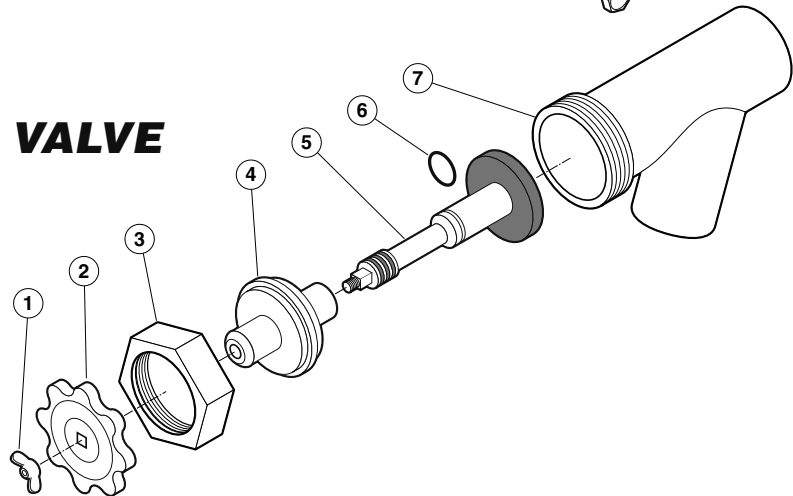
ITEM NO.	PART NO.	DESCRIPTION	QTY.
1.	KE503252	Gear Box Lid	1
2.	FA11134	Screw, 10-24 x 3/8" S.S.	1
3.	KE52832-1	Motor	1
4.	KE53838-8	Transformer, 208/120V (HG3J)	1
	KE53838-9	Transformer, 220, 240/120V (HG5J)	1
5.	KE50583	Buna-N Insert	1
6.	KE50582	Coupling	2
7.	KE50377	Terminal Block Section (large, white)	3
	SK50055	Terminal Block Section (small, black)	3
8.	KE50376	Terminal Block End Section (large, white)	1
	SK50054	Terminal Block End Section (small, black)	1
9.	FA95008	Locknut, 3/4-16	2
10.	FA30088	Washer, 1 1/2" O.D. x 13/16" I.D. x .125" W.	1
11.	SE00036	Thrust Bearing Assembly and Spacer	2
12.	FA95005	Tension Pin	1
14.	KE003209-11	Complete Switch	1
	KE603208-4	Momentary Switch Activator***	1
	KE603208-7	Contact Section Holder, Latch***	1
	KE603208-9	Contact Block***	4
***NOTE: for units built prior to Dec. 2006 order Complete Switch KE003209-11			
17.	KE50752	Transformer, 240/16V	1
18.	FA95007	Retaining Ring (25-40 gallon)	1
	FA95050	Retaining Ring (60 gallon & up)	1
19.	FA95048	Woodruff Key (25-40 gallon)	1
	FA95051	Woodruff Key (60 gallon & up)	1
20.	KE50580	Water Resistant Boot	1
22.	KE51007	Micro Switch	2
23.	FA00012	"O" Ring, circuit breaker	1
24.	KE00151	Segment Gear (25-40 gallon)	1
	KE52833	Segment Gear (60 gallon & up)	1
25.	KE50315	Worm	1
26.	KE50441	Tilt Shaft	1
27.	FA11092	Screw, 8-32 x 1/2", SS	4
28.	KE51711	Roller Bearing, trunnion (25-40 gallon)	2
	KE517111	Roller Bearing, trunnion (60 gallon & up)	2
29.	KE51731	Bearing, tilt shaft	1
30.	FA10623	Bolt, 5/16-24 x 1 1/2"	1
31.	FA20028	Hex Nut, 5/16-24	1
32.	T40226	Bearing assembly	1
33.	KE51891	Washer, 1 1/2" O.D. x 13/16" I.D. x .037" W.	2
37.	FA95037	Key, 3/16" x 3/16" x 3/4"	1
39.	KE50579-1	Circuit breaker, 1.5 amp	1
40.	KE50581	Bridge Rectifier	1
41.	KE54535	Edge Connector (11 pin)	2
42.	KE50753-10	Relay	2
43.	SK24744500	Switch (CE option)	1
44.	KE602748	Bracket, 380 & 415V (60 gallon and up) (CE option)	1
45.	KE602754	Bracket, 380 & 415V (25-40 gallon and up) (CE option)	1

TRUNNION ASSEMBLY

ITEM NO.	PART NO.	DESCRIPTION	QTY.
1.	KE00354	TRUNNION BEARING ASSEMBLY (INCLUDES PART # 3 & 6)	1
2.	KE00351	TRUNNION BEARING ASSEMBLY (INCLUDES PART # 3 & 6)	1
3.	KE51711	ROLLER BEARING	2
4.	KE51571-1	SPHERICAL WASHER	1
5.	FA95081-3	BOLT, 5/16-18 X 1/2"	1
6.	KE51886	GREASE NIPPLE	2
7.	FA95027	MODIFIED BOLT, 5/16-18 X 1 1/2"	4/2



TANGENT DRAW-OFF VALVE



ITEM NO.	PART NO.	DESCRIPTION	QTY.
1. - 7.	KE50973	2" DRAW-OFF ASSEMBLY	1
	KE50972-B	3" DRAW-OFF ASSEMBLY	1
1.	FA95049	WING NUT, TD-2	1
	FA21050	ACCORN NUT, TD-2	1
	FA21501-1	ACCORN NUT, TD-3	1
2.	KE52755	KNOB, TD-2	1
	SE50018	KNOB, TD-3	1
3.	FI05180-1	HEX NUT, TD-2	1
	FI05180-2	HEX NUT, TD-3	1
4.	KE52753	RETAINER, TD-2	1
	SE50013	RETAINER, TD-3	1
5.	KE52752	PISTON, TD-2	1
	SE50010	PISTON, TD-3	1
6.	FA05002-24	"O" RING, TD-2	1
	FA05002-38	"O" RING, TD-3	1
7.	KE50972-B	VALVE BODY, TD-2	1
	KE50973	VALVE BODY, TD-3	1

SPARE PARTS LIST

ITEM ON.	DESCRIPTION	QTY. DOMESTIC	QTY. OVERSEAS
-----------------	--------------------	--------------------------	--------------------------

Refer to Kettle Bottom & Side for parts drawing

KE00458	Solid State Control Box	1	1
KE50753-7	Relay, 12 VDC		1
KE50750-5	Contactora, 208/240V, 60 Amp. (special high wattage kettles - 6 elements)	1	2
KE53838-11	Transformer, 380-415 to 120-220V		1
SE00115	Potentiometer with ON/OFF Switch, c/w Rubber Boot	1	1
KE51005	Rubber Boot	1	1
KE50569-1	Knob, Potentiometer	1	1
KE50515	Thermistor		1
KE51005	Rotary Seal		1
KE52936-1	Fuse, 1/2 amp (used on 380 to 600V units)		1
KE53838-19	Transformer, 120 to 16V	1	1
KE53838-21	Transformer, 240 to 16V	1	1

Refer to Faucet Assembly for drawing

FA05002-19	"O" Ring for Faucet Spout	1	1
------------	---------------------------	---	---

MAINTENANCE

ALL SERVICE MUST BE PERFORMED BY A QUALIFIED SERVICE TECHNICIAN.

IMPORTANT!
ENSURE KETTLE IS AT ROOM TEMPERATURE AND PRESSURE GAUGE IS SHOWING ZERO OR LESS PRESSURE PRIOR TO REMOVING ANY FITTINGS.

Cleveland Range equipment requires little preventative maintenance. We do however provide the following chart as a guideline for inspection and maintenance to keep your unit functioning at 100%.

INSPECTION AND MAINTENANCE CHECK LIST

The following check should be completed every six months or more frequently if unit is in a high volume facility.

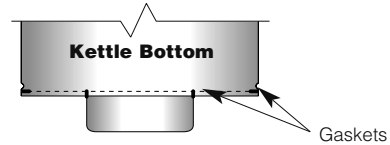
WARNING: It is imperative that damaged seals be repaired immediately to prevent equipment failure and/or damage.

ITEM

CHECK

BOTTOM COVER GASKETS

Check to see both gaskets are in place and are not cracked or split.



CONSOLE COVER

Insure there are two screws firmly holding down the cover. If not replace screws.

HAND WHEEL (hand tilt models only)

Check hand wheel for tightness. If loose tighten allen screw.

TILTING (tilting models only)

Check that kettle tilts smoothly. Grease as described in LUBRICATION PROCEDURE.

PRESSURE GAUGE

Check that the gauge does not have moisture on its inside face. Replace if moisture is present.
Check that the gauge shows a vacuum (needle is well into the Green zone) when cold and shows between 25-40 psi when unit is hot. If not follow VACUUM LEAK TEST PROCEDURE.

PRESSURE RELIEF VALVE

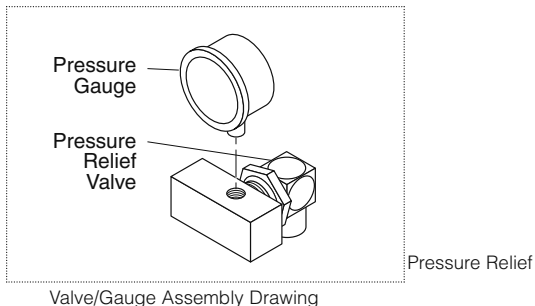
Check pressure relief valve as described in PRESSURE RELIEF VALVE TESTING PROCEDURE.

TEMPERATURE CHECK

Following CALIBRATING PROCEDURE check the inner kettle surface temperature with a digital surface thermometer and adjust if required.

CALIBRATING PROCEDURE

1. Insure the unit has a vacuum before you begin calibrating procedures. If unit requires venting refer to Kettle Venting Instructions.
2. Set On-Off Switch/Temperature Control to "10" (Max.).
3. Allow the unit to cycle twice.
4. Check temperature of the inner kettle surface with a digital surface thermometer.
5. Temperature should be between 260° F and 265° F.
6. Using a screw driver adjust temperature by turning the potentiometer on the black box. Turn very little. Turn clockwise to INCREASES and counter-clockwise to DECREASE temperature.
7. Allow the unit to cycle twice.
8. Check temperature of the inner kettle surface with a digital surface thermometer.
9. Repeat steps 4. through 8. until unit is calibrated.



PRESSURE RELIEF VALVE PERIODIC TESTING PROCEDURE

WARNING: IMPROPER REFILLING OF KETTLE JACKET WILL RESULT IN IRREVERSIBLE DAMAGE TO UNIT.

Most insurance agencies require periodic testing of pressure relief valves used on pressure vessels. This procedure will allow you to safely and quickly test your kettle's pressure relief valve. We recommend this test be performed twice a year.

NOTE: The following instruction is intended for use by qualified service personnel.

WARNING: Kettle surface will be hot and steam will be released during testing. Take necessary precautions including the use of gloves and eye protection to prevent personal injury.

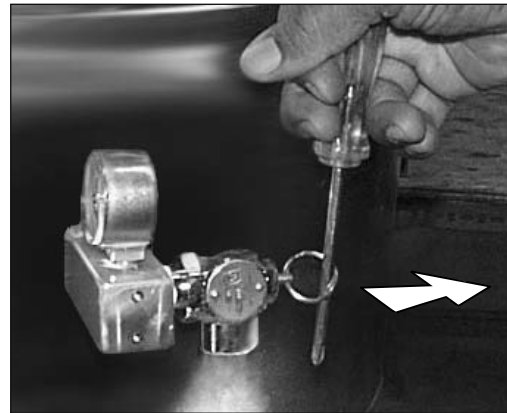


DANGER: PRESSURE RELIEF VALVE WILL EXHAUST HIGH TEMPERATURE STEAM. CONTACT WITH SKIN COULD RESULT IN SERIOUS BURNS. KEEP FACE, HANDS AND BODY CLEAR OF DISCHARGE.



DANGER: WORKING ON MACHINES WITH POWER COULD RESULT IN SEVERE ELECTRICAL SHOCK.

1. With the kettle empty, set On-Off Switch/Temperature Control to "10" (Max.). Allow the kettle to heat until the unit cycles off.
2. Switch On-Off Switch/Temperature Control to "0" (Off) and disconnect main power at fused disconnect switch.



3.

Stand to the side of the pressure relief valve discharge tube and pull valve open for a maximum of one second. Repeat test three to four times. Each time the mechanism should move freely and be accompanied by a rapid escape of steam.

If valve appears to be sticking replace pressure relief valve.

If foreign material is discharged then drain kettle and replace pressure relief valve.

See KETTLE JACKET CLEANOUT AND PASSIVATION PROCEDURES for full instructions on the correct method for refilling kettle jacket.

WARNING: Improper refilling of kettle jacket will result in irreversible damage to unit.

NOTE: Rust inhibitor is purchased locally. Read directions and do not exceed manufacturer's recommendation (excessive rust inhibitor can also cause solidification).

RESERVOIR FILL PROCEDURES

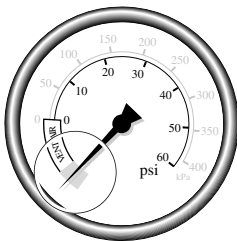
The kettle's water level must be maintained at the proper level to submerge the heater elements. Under normal operating conditions, the sealed water reservoir should never require the addition of water.

If the red "low water" light comes on during use (while the kettle is in an upright position), the water level has reached a critically low level. The low water protection control has automatically shut off the heater elements. The following procedure must be completed before further use:

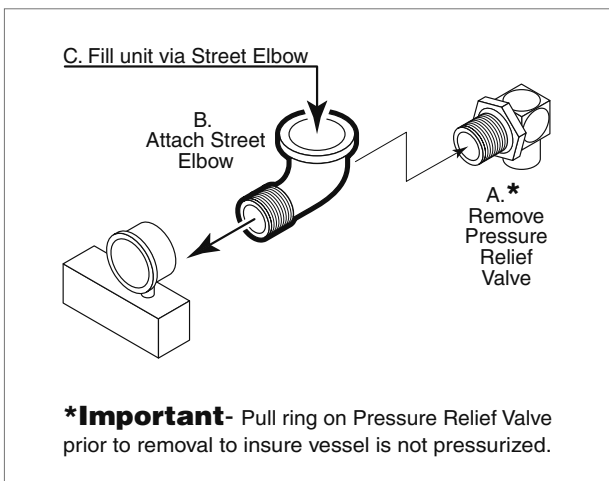
NOTE: Have a qualified service technician repair the leakage problem and add water to the unit. Ensure that the red "low water" light is on when the kettle is upright. On tilting kettles, it is normal for the red light to come on when the kettle is in a tilted position, as the elements are not submerged in water at this point.

DISTILLED WATER REQUIREMENTS

Kettle Capacity	When Red "Low Water Light" comes on, add Distilled Water
25 gallon	1.0 U.S Gallons
30 gallon	1.5 U.S Gallons
40 gallon	2.0 U.S Gallons
60 gallon	2.1 U.S Gallons
80 gallon	2.6 U.S Gallons
100 gallon	2.8 U.S Gallons



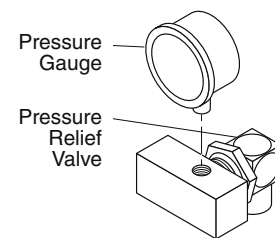
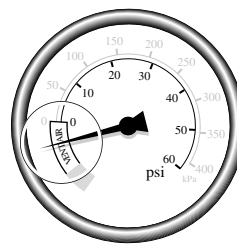
1. Ensure kettle is at room temperature and pressure gauge showing zero or less pressure.
2. Shut off power to the kettle at the fused disconnect switch.



Pressure Relief Valve/Gauge Assembly Drawing

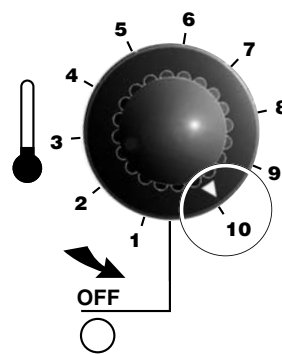
3. Pull Pressure Relief Valve (A) open to insure vessel is not pressurized.
4. Remove Pressure Relief Valve (A).
5. Replace Pressure Relief Valve (A) with Street Elbow (B).
6. Add distilled water (C) through the Street Elbow (B), using a funnel if necessary. Refer to **Distilled Water Requirements** chart for the proper amount required.
7. Apply a thread sealant (i.e. Teflon tape) to the Pressure Relief Valve's (A) thread and replace.
8. Restore power to unit at the fused disconnect switch.
9. The kettle must now be vented. (Refer to the KETTLE VENTING INSTRUCTIONS).

KETTLE VENTING INSTRUCTIONS



The following venting procedure should be followed when the Vacuum/Pressure Gauge needle is in the "VENT AIR" zone:

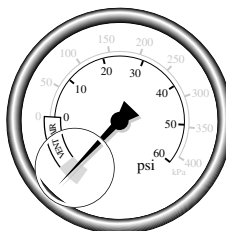
NOTE: Check for and eliminate leaks prior to venting (See Repairing Leaks in Steam Jacketed Kettle Fittings).



1. Turn kettle ON and set Temperature Control to **10** (Max.), heat the empty kettle until unit cycles off.
2. Vent kettle by pulling safety valve ring 8-10 times in short 2-3 second blasts with a 5 second interval between pulls.

NOTE: If unit cycles ON, stop venting and wait for kettle to cycle OFF before continuing.

3. Turn kettle OFF. Add cold water to kettle until its surface temperature is below 100°F. The pressure gauge needle should be in the green zone, indicating a vacuum in the kettle's jacket.



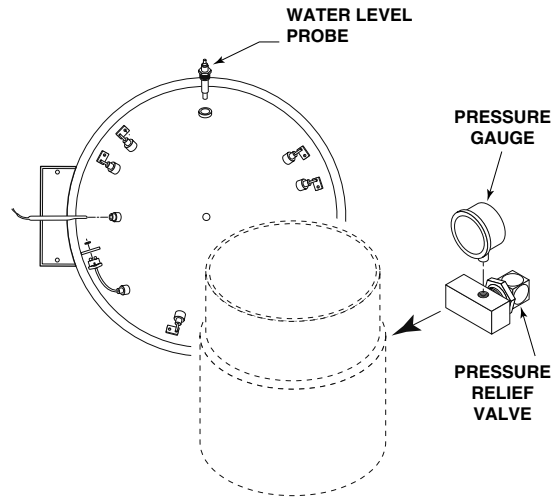
VACUUM LEAK TEST PROCEDURE

If the kettle will not hold vacuum, test for leaks at:

- A.** Water Level Probe (Remove bottom cover).
- B.** Pressure Relief Valve.
- C.** Pressure Gauge.

LEAK TEST PROCEDURE:

1. Heat kettle until unit cycles off.
2. Shut off power to the kettle at the fused disconnect switch.
3. Spread Bubble Type Leak Detector over suspected areas and watch closely for bubbles.
4. Repair areas as required.



REPAIRING LEAKS IN STEAM JACKETED KETTLE FITTINGS

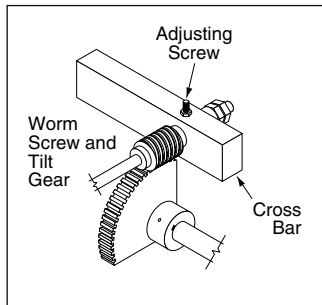
If unit will not hold a vacuum the most likely cause is a leak at one of the fittings.

Often, the easiest way to eliminate a leak is reseal the suspect areas.

1. Water Level Probe Remove, clean threads, apply teflon thread sealant and reinstall.
2. Pressure Relief Valve **A/** Inspect for signs of leaks. Replace if required.
 B/ Remove, clean threads, apply teflon thread sealant and reinstall.
3. Pressure Gauge **A/** Inspect face of gauge. If it contains moisture on the inside of face replace.
 B/ Remove, clean threads, apply teflon thread sealant and reinstall.

LUBRICATION PROCEDURE

Lubricate the following parts every three months to insure smooth operation and reduce wear.

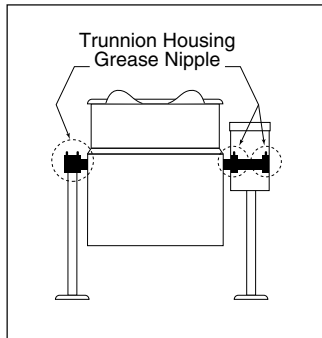


TRUNNION HOUSING, WORM SCREW AND TILT GEAR

These parts are accessed through the top cover of the console.

Apply grease to gear teeth. Check for

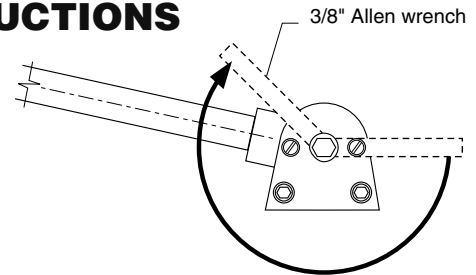
excessive play and adjust with adjusting screw located on top of cross bar.



KETTLE TRUNNIONS

On the left hand side of the kettle there are two grease nipples on the top back portion of the trunnion housing. On the right hand side of the kettle you must remove the console cover to access the two grease nipples.

HINGE ADJUSTMENT INSTRUCTIONS



1. Insert 3/8" Allen wrench.
2. Turn clockwise to relieve tension on spring.
3. While tension is released remove one of the two slotted screws.
4. To prevent Allen wrench from springing back abruptly while the second slotted screw is removed, insert a pin (approximately 1/8") in the hole where the first slotted screw was removed from.
5. Remove second slotted screw.
6. While holding Allen wrench remove pin.
7. Turn Allen wrench clockwise to tighten or counter-clockwise to loosen tension to produce desired effect.
8. Re-insert pin in one of the two holes.
9. Tighten one slotted screw in the other hole (it may be necessary to turn Allen wrench slightly to align holes).
10. Remove pin and repeat step number 9 for other slotted screw.

KETTLE JACKET CLEANOUT AND PASSIVATION PROCEDURES

The following procedure should be performed at least once every three years to prevent possible corrosion and ensure the optimum life of the kettle.

WARNING:
IMPROPER REFILLING OF KETTLE JACKET WILL RESULT IN IRREVERSIBLE DAMAGE TO UNIT.

DANGER:
WORKING ON MACHINES WITH POWER COULD RESULT IN SEVERE ELECTRICAL SHOCK.

DANGER:
MOLYFILM 315 IS CORROSIVE, AVOID CONTACT WITH SKIN AND EYES.

DANGER:
EXTREMELY HOT SURFACES. WORK ONLY ON COLD KETTLE.

DANGER:
AVOID INHALATION - VAPORS FROM MOLYFILM 315 MAY BE HARMFUL OR FATAL.

DESCRIPTION - Molyfilm 315 inhibits corrosion in stainless steel and copper. A pH buffer is present to assist in maintaining the appropriate pH to assist in corrosion inhibition.

DISPOSAL - Follow all Federal, State and local codes when disposing of product.

SHELF LIFE - Molyfilm 315's effectiveness will diminish after three years.

REFILL QUANTITIES (ORDERING INFO: 1 Liter Molyfilm 315 Rust Inhibitor - Part# KE600340-1)

IMPORTANT: To ensure satisfactory mixing follow the MIXING / FILLING PROCEDURE described below.

Kettle Size	Volume of Water		Volume of Molyfilm 315		
	U.S. Gal.	Liters	oz.	cc	(ml.)
25 U.S. Gal.	3.8	14.2	5.1	150	
30 U.S. Gal.	4.3	16.3	5.9	172	
40 U.S. Gal.	4.8	18	6.5	190	
60 U.S. Gal.	5.8	21.8	7.8	230	
80 U.S. Gal.	6.5	24.6	8.9	260	
100 U.S. Gal.	7.3	27.5	9.9	290	

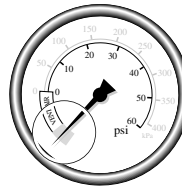
MIXING / FILLING PROCEDURE

1. Refer to chart to determine the required volumes of water and Molyfilm 315.
2. In a separate container mix 1/2 gallon of the required volume of water with the total required volume of Molyfilm 315.
3. Pour mixture into kettle.
4. Pour the remaining required volume of water into kettle.

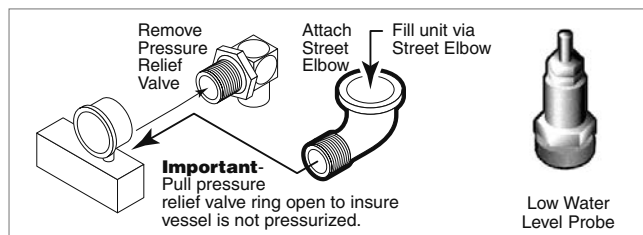
DANGER:
PRESSURE RELIEF VALVE WILL EXHAUST HIGH TEMPERATURE STEAM. CONTACT WITH SKIN COULD RESULT IN SERIOUS BURNS. KEEP FACE, HANDS AND BODY CLEAR OF DISCHARGE.

FLUSHING PROCEDURE

WARNING: The fused disconnect switch must be off before removing the kettles bottom cover.



1. Ensure kettle is at room temperature and pressure gauge showing zero or less pressure.
2. Shut off power to the kettle at the fused disconnect switch.
3. Pull pressure relief valve ring open to insure vessel is not pressurized.
4. Pull pressure relief valve ring open to insure vessel is not pressurized.
5. Remove pressure relief valve.
6. Replace pressure relief valve with street elbow.
7. Remove bottom cover from kettle.
8. Remove low water level probe and allow water to drain.
9. Add water through the street elbow and flush out as much debris as possible with water.
10. Apply a thread sealant (i.e. Teflon tape) to the low water level probe threads and replace.
11. Fill kettle jacket with a mixture of water and Molyfilm 315 (see REFILL QUANTITIES chart).
12. Remove street elbow.
13. Apply a thread sealant (i.e. Teflon tape) to the pressure relief valve's thread and replace.
14. Turn kettle on, vent and heat on high for 1/2 hour.
15. Cool and drain kettle as per above procedure.



REFILLING UNIT

1. Apply a thread sealant (i.e. Teflon tape) to the low water level probe threads and replace.
2. Fill kettle jacket with a mixture of water and Molyfilm 315 (see REFILL QUANTITIES chart).
3. Remove street elbow.
4. Apply a thread sealant (i.e. Teflon tape) to the pressure relief valve's thread and replace.
5. Restore power to unit at the fused disconnect switch.
6. Vent kettle. See Kettle Venting Instructions for proper procedure.

DIAGNOSTIC GUIDE

This section contains servicing information intended for use by Authorized Service Personnel.

NOTE 1: If Fault Isolation Procedure is required, be sure to start at step #1.

NOTE 2: On table type kettles the entire control mounting panel may be removed from kettle control housing for easier troubleshooting and parts replacement.

A/ Problem: Kettle is not heating at all. (Kettle must be on and temperature control set.)

Possible Causes

- | | | |
|------------------------------------|--|--|
| 1. No incoming power. | 6. Defective safety thermostat. | 10. Defective thermistor. |
| 2. Kettle is tilted. | 7. Defective contactor/s. | 11. Defective 240/16 VAC transformer. |
| 3. Low water condition. | 8. Defective potentiometer (temperature control). | 12. Defective control box. |
| 4. Defective ON/OFF switch. | 9. Defective low water level probe. | 13. Defective elements. |
| 5. Defective 12 VDC relay. | | |

Fault Isolation Procedure

Step	Test	Result	Remedy
1.	Is there proper incoming voltage at terminal block?	Yes	Go to step #2.
		No	Correct external power supply problem.
2.	Is the red LED illuminated?	Yes	Follow Reservoir Fill Procedure. If this does not correct the problem, go to Problem D .
		No	Go to step #3.
3.	Is the green LED illuminated?	Yes	Go to step #4.
		No	Go to step #7.
4.	Do both contactors energize?	Yes	Check contactor contacts for pitting. Voltage across contactor terminals while in a closed position indicates a poor contact. Replace contactor/s as necessary. Check elements for short at ground or an open circuit. If element/s are defective contact the factory. Elements are not field replaceable.
		No	Go to step #5.
5.	Measure continuity across safety thermostat. Is it an open circuit?	Yes	Replace defective safety thermostat.
		No	Go to step #6.
6.	Is there 120 VAC present across the coils of the contactors?	Yes	Replace defective contactor/s.
		No	Go to step #6.
7.	Remove wire from low water level probe and ground it to the body of the kettle. Do the contactors now energize?	Yes	Clean or replace defective low water level probe. Replace defective red LED.
		No	Go to step #8.
8.	Is there 16 VAC present at output of 16 VAC transformer?	Yes	Go to step #9.
		No	Replace defective 240/16 VAC transformer.

9.	Measure continuity of ON/OFF switch/temperature control. Is it operating properly?	Yes	Go to step #10 .
		No	Replace defective ON/OFF switch/temperature control.
10.	Unplug control box and measure the resistance across potentiometer. Is it approximately 0 ohms at maximum setting and 50,000 ohms at minimum?	Yes	Go to step #11 .
		No	Replace defective potentiometer (ON/OFF switch/temperature control)
11.	Remove edge connector from control box. While kettle is cold or thermistor is removed and allowed to cool, measure the resistance between edge connector's pins #2 and #7. Is it approximately 100,00 ohms?	Yes	Spray contact cleaner on control box terminals and edge connector. Try box again, if the problem still exists, replace defective control box.
		No	Replace defective thermistor.

B/ Problem: Kettle heats too slowly or not hot enough. (**Note:** normal max. operating pressure with an empty kettle is 30-35 psi.)

Possible Causes

- | | | |
|---|--|----------------------------------|
| 1. Air in jacket requires venting. | 3. Defective potentiometer (temperature control). | 5. Defective contactor/s. |
| 2. Defective safety thermostat. | 4. Defective thermistor. | 6. Defective control box. |
| | | 7. Defective elements/s. |

Fault Isolation Procedure

Step	Test	Result	Remedy
1.	In a cold state, does the pressure gauge read in the green zone?	Yes	Go to step #2 .
		No	There is air present in the jacket of the kettle. Follow Kettle Venting Procedure. If constant venting is required, there is a leak that should be corrected.
2.	Do the contactors shut off too early? (before reaching normal maximum operating pressure.)	Yes	Go to step #3 .
		No	Check contactor contacts for pitting. Voltage across terminal of contactor while energized signifies a poor contact. Replace contactor/s as necessary. Check elements for short to ground or open circuit. If elements are defective, contact the factory. Elements are not field replaceable.
3.	Does the green LED remain illuminated after the contactors shut off?	Yes	Replace defective safety thermostat.
		No	Go to step #4 .
4.	Unplug control box and measure the resistance across potentiometer (temperature control). Is it approximately 0 ohms at maximum and 50,000 ohms at minimum setting?	Yes	Go to step #5 .
		No	Replace defective thermistor.
		Yes	Go to step #6 .

5.	Remove kettle thermistor and allow to cool. Remove edge connector from control box. Test resistance across edge connector's pins #2 and #7. Is it approximately 100,000 ohms?	No	Replace defective thermistor
6.	Turn the potentiometer on the control box clockwise to increase the maximum operating temperature. Does the kettle now achieve maximum operating pressure of 30-35 psi in an empty kettle?	Yes No	Kettle is operating correctly. Spray contact cleaner on control terminals and edge connector. Try box again. If problem still exists, replace defective control box.

C/ Problem: Kettle is overheating.

Possible Causes

- | | | |
|--------------------------------|--|-----------------------------------|
| 1. Defective thermistor | 2. Defective potentiometer (temperature control). | 3. Defective 12 VDC relay. |
| | | 4. Defective control box. |

Fault Isolation Procedure

Step	Test	Result	Remedy
1.	Does the green LED turn off even though the contactors remain energized?	Yes No	Replace defective 12 VDC relay. Go to step #2 .
2.	Unplug the control box and measure the resistance across the potentiometer (temperature control), Is the resistance approximately 0 ohms at maximum and 50,000 ohms at minimum setting?	Yes No	Go to step #3 . Replace defective thermistor.
3.	Remove kettle thermistor and allow to cool. Remove edge connector from control box. Test resistance across edge connector's pins #2 and #7. Is it approximately 100,000 ohms?	Yes No	Go to step #4 . Replace defective thermistor.
4.	Turn the potentiometer (temperature control) on the control box counter-clockwise to decrease the maximum operating temperature. does the kettle continue to overheat?	Yes No	Spray contact cleaner on control box terminal and edge connector. Try box again. If problem still exists, replace defective control box. Kettle is operating correctly.

D/ Problem: Red LED remains illuminated even though water has been added.

Possible Causes

- | | |
|---|----------------------------------|
| 1. Defective low water level probe | 2. Defective control box. |
|---|----------------------------------|

Fault Isolation Procedure

Step	Test	Result	Remedy
1.	Remove wire from low water level probe and ground the wire to the body of the kettle. Does the red LED turn off?	Yes No	Replace or clean defective low water level probe. Spray contact cleaner on control box terminals and edge connector. Try box again. If problem still exist, replace defective control box.

WIRING DIAGRAM

380-600v

