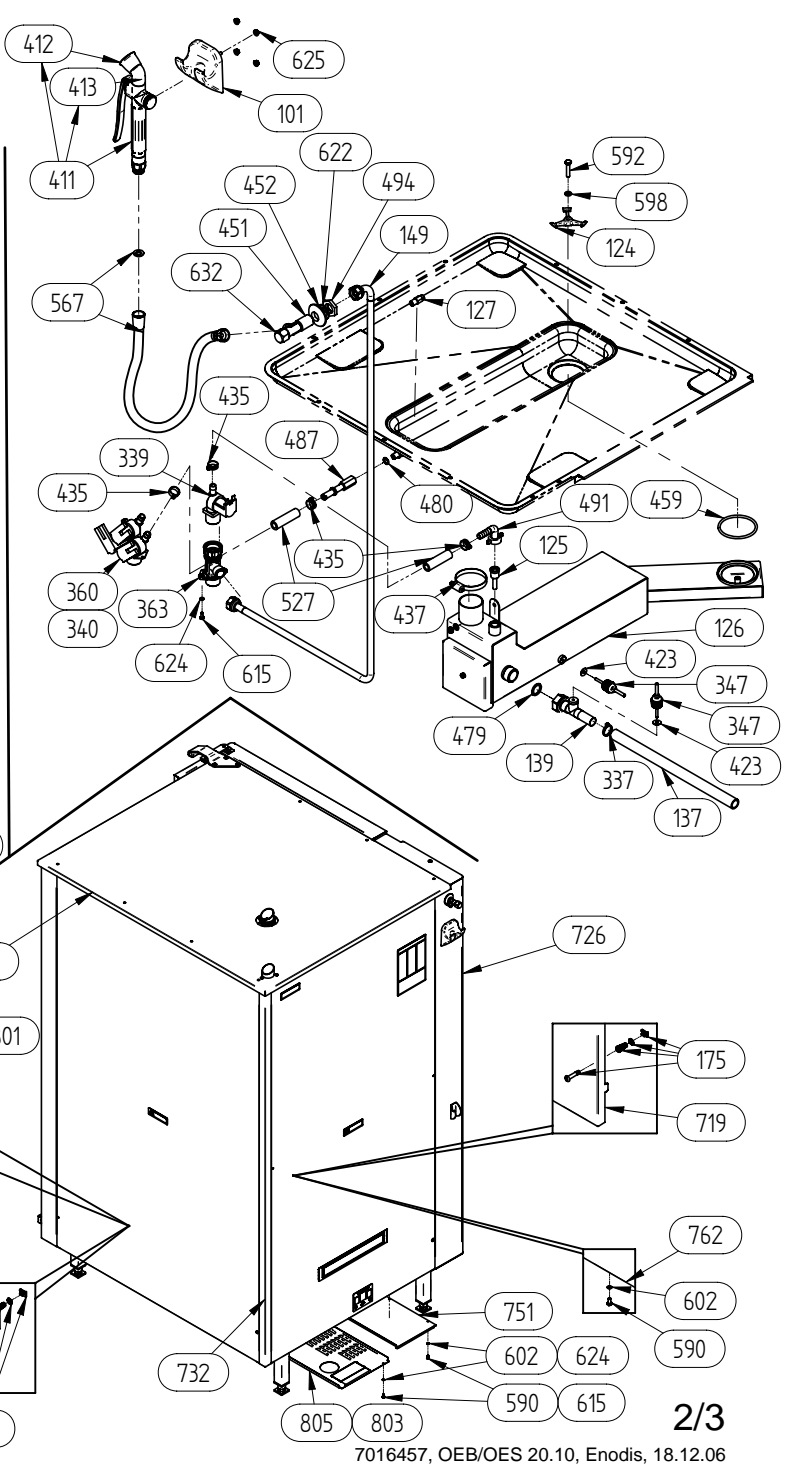
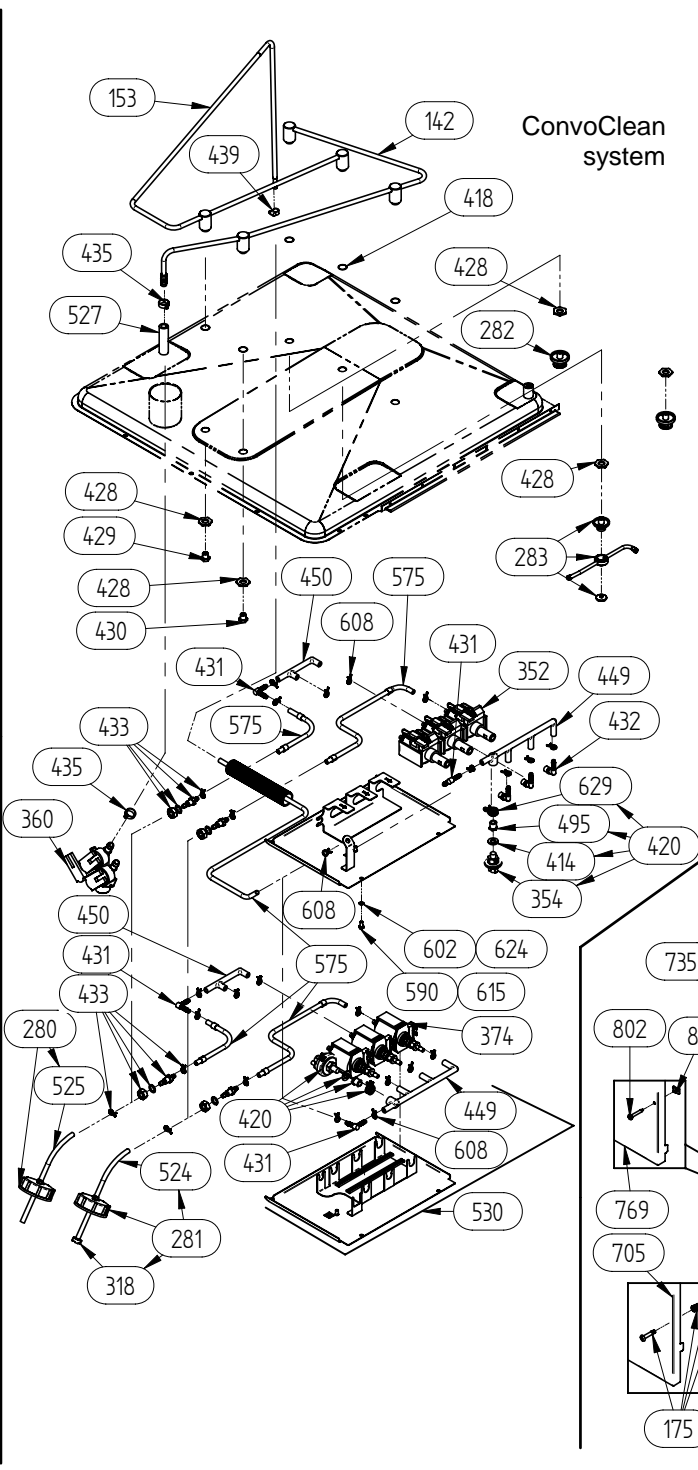
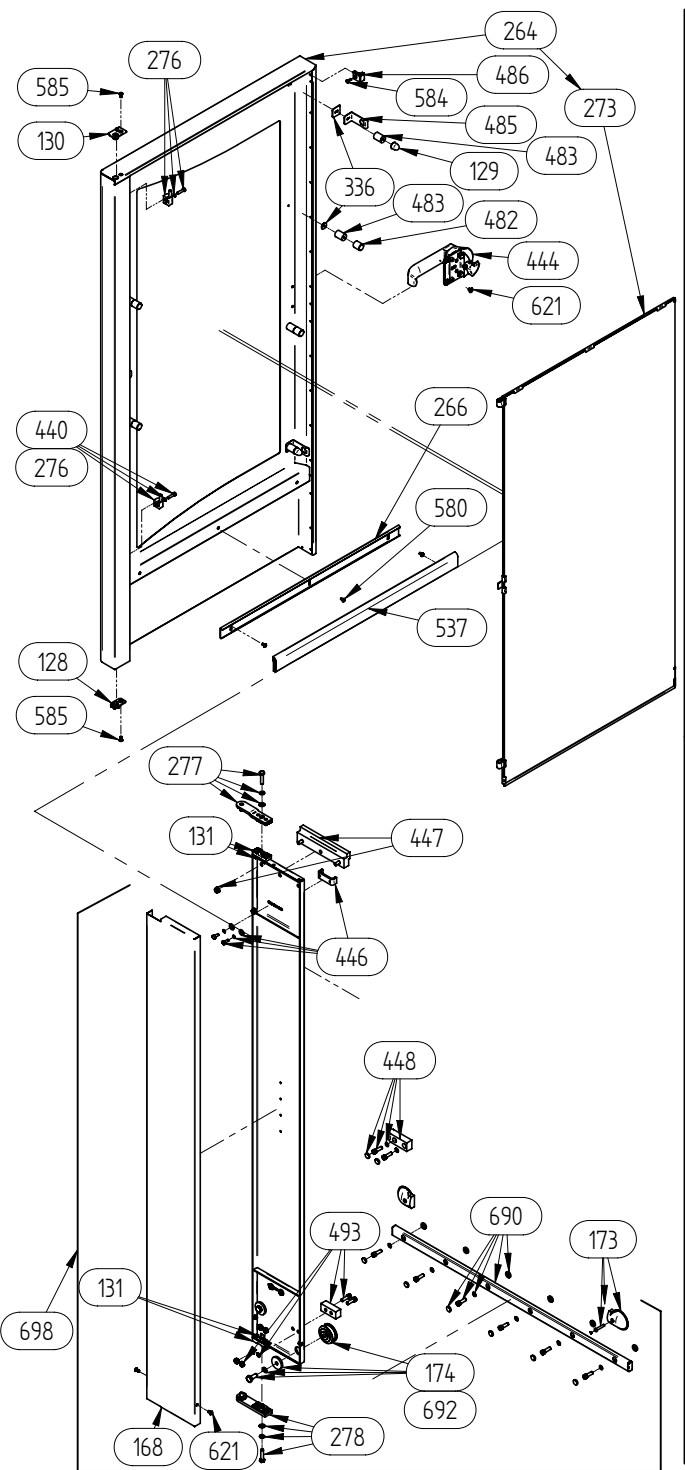
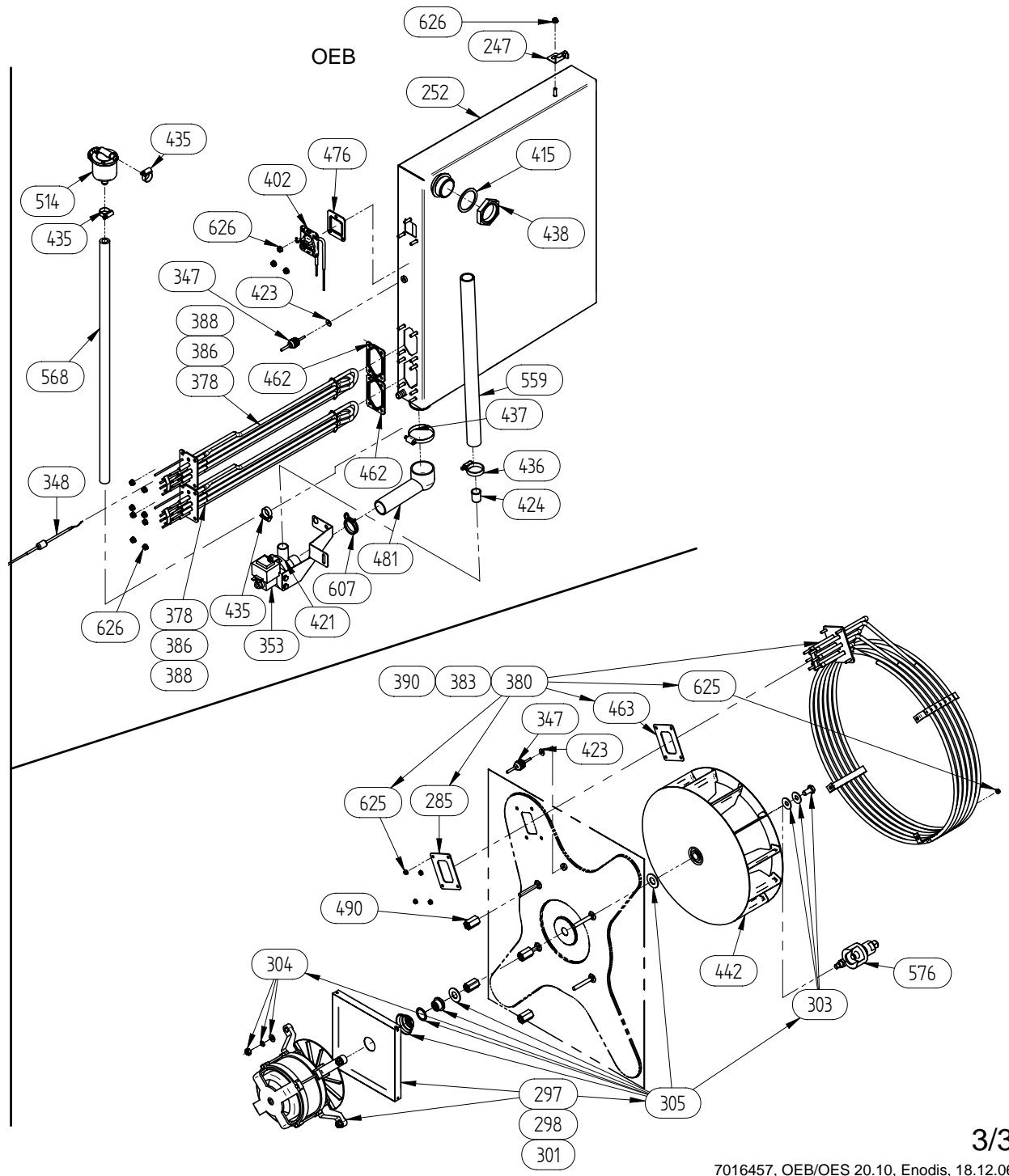
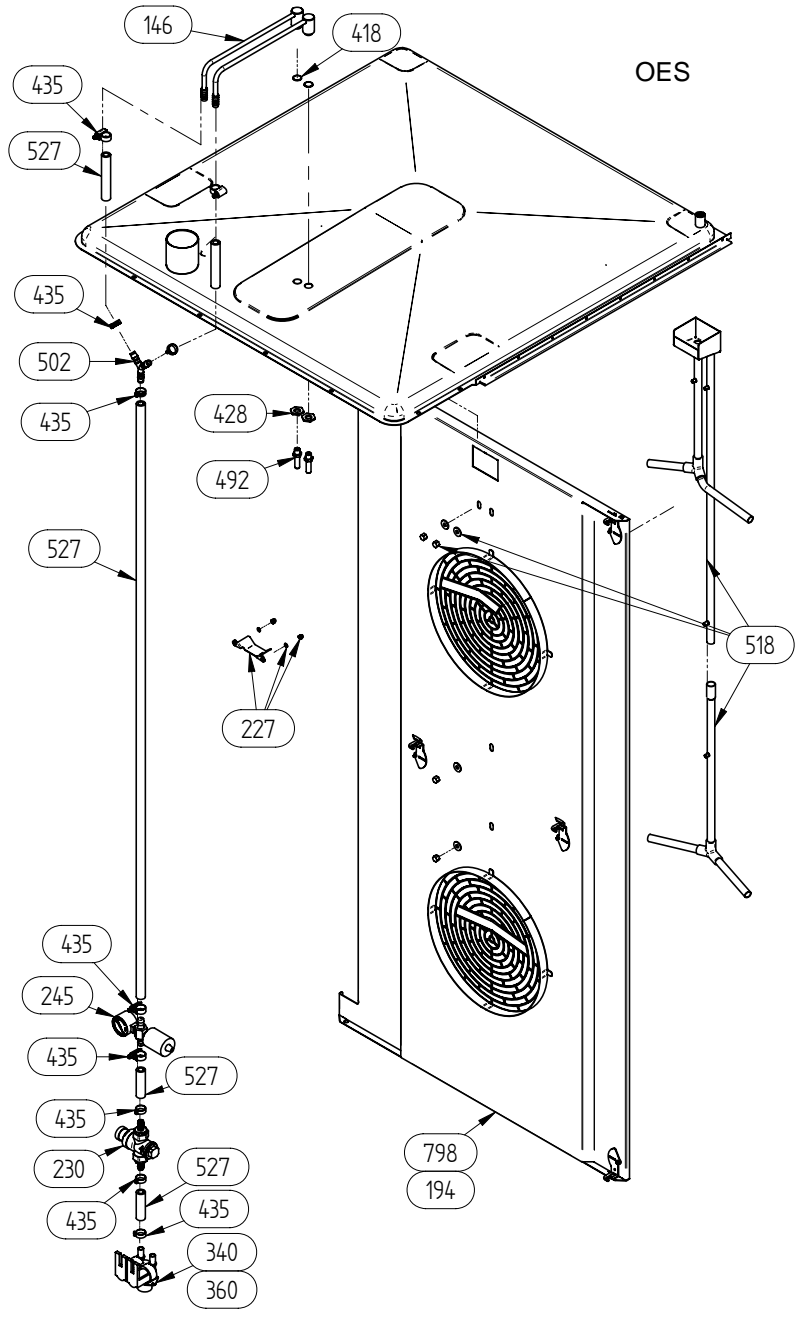


OEB/OES 20.10

Technische Neuentwicklungen, Änderungen und Irrtümer vorbehalten.
 New technical developments, changes and errors excepted.
 Sous réserve de modifications techniques, de nouveaux développements et d'erreurs.
 Nos reservamos el derecho de nuevos desarrollos técnicos, modificaciones y errores.





| Pos | Art.-Nr | --> | --> | deutsch | english |
|-----|---------|------------|-----|---------------------------------------------------------------|---------------------------------------------------------------------------------|
| 101 | 2002042 | | | Aufhängung f. Handbrause | Holder for hand shower P1 P2 P3 |
| 102 | 2004035 | | | Halterung f. Kabel KTM-Fühler P2 P3 | Mount for cable, core temperature sensor probe P2 P3 |
| 103 | 2004234 | | | Einfahrkeil für Beschickungswagen P3 | Slide-in retainer key for loading cart P3 |
| 124 | 2012102 | | | Halter Kondensator P3 | Bracket, condenser P3 |
| 125 | 2012103 | | | Einsatzdüse Kondensator P3 | Nozzle, condenser P3 |
| 126 | 2012110 | | | Kondensator Standgerät m Überlauf links kpl. P3 | Condenser, floor model with overflow on left complete P3 |
| 127 | 2013002 | | | Vollkegeldüse 45° 1/8" P3 | Full cone nozzle 45° 1/8" P3 |
| 128 | 2014003 | | | Rasplatte Oberteil Tür P3 | Retaining plate, upper part, door P3 |
| 129 | 2014005 | | | Silikonfeder Tür P3 | Silicon spring door P3 |
| 130 | 2014007 | | | Scharnierplatte Unterteil kpl. P3 | Lower hinge plate cpl. door P3 |
| 131 | 2619152 | | | KD-Set Rasterklotz Schlitzenplatte P3 | Customer service set retaining block, sliding plate P3 |
| 133 | 2614750 | | | Führungsbügel Standgeräte VST P2 | Guide clip VST floor models, P3 |
| 137 | 2016005 | | | Bypass P3 kpl. 20.10 | Bypass P3 cpl. 20.10 |
| 139 | 2016007 | | | Meßrohr P3 | Measurement pipe P3 |
| 142 | 2016020 | | | Rohrleitung Wasser X.10 geschw. P3 | Pipeline water X.10 welded P3 |
| 146 | 2016073 | | | Rohrleitung IN X.10 geschw P3 | Pipeline IN X.10 welded P3 |
| 149 | 2016113 | | | Rohrleitung Handbrause 20.10/20.20 P3 | Pipeline handshower 20.10/20.20 P3 |
| 153 | 2016122 | | | Rohrleitung Reiniger Decke 20.10 geschw. P3 | Piping for cover cleaner 20.10 welded P3 |
| 160 | 2019001 | | | Transportsicherung B-Wagen 20.10/20.20 P3 | Transport locking device for B-trolley 20.10/20.20 P3 |
| 161 | 2019005 | | | Schiebegriff f. TB-Wagen 20.10 P3 | Sliding handle for plate banquet trolley 20.10 P3 |
| 163 | 2114799 | | | Trägerblech KM geschw P3 | Support KM welded P3 |
| 168 | 2114819 | | | Verkleidungsblech VST 20.10/20.20 P3 | Cover panel VST 20.10/20.20 P3 |
| 171 | 2115478 | | | Einfahrschiene re 20.10 geschw P3 | Retracting rails on right 20.10 welded P3 |
| 172 | 2115479 | | | Einfahrschiene li 20.10 geschw P3 | Retracting rails on left 20.10 welded P3 |
| 173 | 2117280 | | | KD-Set Anschlagpuffer VST P3 | Customer service set for stop buffer VST P3 |
| 174 | 2117291 | | | KD-Set Führungsrolle VST V-Form P3 | Customer service set for guide roller VST P3 |
| 175 | 2117299 | | | KD-Set Verschluss Abdeckung P3 | Customer service set for cover seal P3 |
| 176 | 2117300 | | | KD-Set Frontplatte OEB/OGS P3 | Customer service set for front plate OEB/OGS P3 |
| 177 | 2117301 | | | KD-Set Frontplatte OES/OGS P3 | Customer service set for front plate OES/OGS P3 |
| 178 | 2117302 | | | KD-Set Frontplatte OES/OGS Press & Go P3 | Customer service set for front plate OES/OGS Press & Go P3 |
| 187 | 2214146 | EB6BL 1699 | | Ansaugblech DE 20.10 kpl P3 | Suction panel DE 20.10 cpl P3 |
| 194 | 2214156 | ES6BK2832 | | Ansaugblech IN 20.10 kpl P3 | Suction panel IN 20.10 cpl P3 |
| 214 | 2216796 | | | Abdeckung Entfeuchtungsrinne kpl P3 | Cover dehumidification channel cpl P3 |
| 227 | 2217278 | | | KD-Set Abschirmblech Garraumfühler 6.10 GAS/10.10/20.10 IN P | Service set screen plate oven chamber sensor 6.10GAS/x0.10 |
| 229 | 2217281 | | | KD-Set Bypass-Abdeckung P3 | Customer service set for bypass cover P3 |
| 230 | 2217288 | | | KD-Set Druckregulierungsventil IN P3 | Customer service set for pressure regulating valve IN P3 |
| 233 | 6002100 | | | Schnellverschluss-Ansaugblech | replacement quick fastener for suction panel |
| 245 | 2217335 | | | KD-Set Einspritzdüse 1,0 mm P3 | Customer service set for fuel injection nozzle 1.0 mm P3 |
| 247 | 2314244 | | | DE EL/GAS Aufhängung 20.10, 20.20 P3 | Steam generator EL/GAS suspension 20.10, 20.20 P3 |
| 252 | 2317308 | | | KD-Set DE EL 10.20/12.20/20.10 P3 | Customer service set DE EL 10.20/12.20/20.10 P3 |
| 264 | 2514355 | | | Tür 20.10 kpl P3 | Door 20.10 cpl P3 |
| 266 | 2514386 | | | U-Profil f Dichtung Tür 20.10 P3 | U-profile for seal, door 20.10 P3 |
| 273 | 2514393 | | | Innentür 20.10 kpl P3 | Interior door 20.10 cpl P3 |
| 276 | 2517292 | | | KD-Set Innentürscharnier P3 | Customer service set for interior door hinge P3 |
| 277 | 2517296 | | | KD-Set Scharnier ob P3 | Customer service set for upper hinge P3 |
| 278 | 2517297 | | | KD-Set Scharnier unt P3 | Customer service set for lower hinge P3 |
| 279 | 2608962 | | | Unterdrucksicherung kpl | Suction relief device complete P2 P3 |
| 280 | 2609347 | | | Kanister-Saugschlauch Reiniger kpl | Suction tube for detergent |
| 281 | 2609349 | | | Kanister-Saugschlauch Düsenspülung kpl | Suction tube for flushing agent |
| 282 | 2611010 | | | Sprinklerdüse geschweißt | Sprinkler head welded |
| 283 | 2611184 | | | Rotordüse kpl | Rotor nozzle complete |
| 284 | 2614253 | | | Gegenflansch für Rohrheizkörper Einzelring P3 | Counterflange for tubular heating element, single ring |
| 297 | 2617282 | | | KD-Set Drehstrommotor 4/8pol 0,6kW 200-240V 60Hz/200V 50Hz P | Customer service set for 3-phase motor 4/8-pin 0.6kW 200-240 |
| 298 | 2617283 | | | KD-Set Drehstrommotor 4/8pol 0,6kW 380-415V 50Hz / 380-480V | Customer service set for 3-phase motor 4/8-pin 0.6kW 380-415 |
| 301 | 2617286 | | | KD-Set Drehstrommotor 4pol 0,6kW alle Spannungen P3 | Customer service set for 3-phase motor 4-pin 0.6kW all volta |
| 303 | 2617293 | | | KD-Set Lüfterradbefestigung P3 | Customer service set for fan wheel mounting P3 |
| 304 | 2617294 | | | KD-Set Motorbefestigung P3 | Customer service set for motor mounting P3 |
| 305 | 2617295 | | | KD-Set Motorwellendichtung P3 | Customer service set for motor shaft seal P3 |
| 315 | 2216090 | | | Abdeckung Zuluftkasten mont P3 | Cover, air inlet box assembled P3 |
| 318 | 3007061 | | | Schmutzsieb für Convocare | Filter for Convocare |
| 326 | 3315244 | | | Griff für B-Wagen 20.10 elektropoliert P3 | Handle for B-trolley 20.10 electro-polished P3 |
| 327 | 3315258 | | | Sammelwanne Hordenwagen elektropoliert 20.10 P3 | Collector tray for tray trolley electro-polished 20.10 P3 |
| 335 | 3416730 | | | Wasserinstallationsset P3 | Water installation set P3 |
| 336 | 3417275 | | | Nachstellset Türdichtung P3 | Kit for adjusting door gasket P3 |
| 337 | 4007087 | | | Kabelbinder 140 x 3,6; hitzebeständig bis 220°C | Cable tie 140 x 3,6 heat resistant to 220°C |
| 338 | 5001041 | | | Sicherheits-Temperaturbegrenzer eigenbruchsicher 340°C | Safety temperature limiter, internal breakage-proof |
| 339 | 5001059 | | | Einfachmagnetventil 220/240V 50/60 Hz | Solenoid valve 220/240 V ODgas |
| 340 | 5001080 | | | Doppelmagnetventil 220-240V 50/60Hz | Double solenoid valve 220 - 240V 50Hz |
| 341 | 5002061 | | | KD-SET KTM-Dichtungssatz | Customer service seal set for CTS |
| 342 | 2219137 | | | KD-Set KTM-Fühler Sous-Vide P3 | Customer service set CTS probe "sous vide" P3 |
| 344 | 5002094 | | | Stecker X2 OSC, OSG, OSP P2 P3 | Plug X2 OSC, OSG, OSP P2 P3 |
| 346 | 5002096 | | | Stecker X11, X12 Picto "Press and Go" P2 P3 | Plug Picto "Press and Go" P2 P3 |
| 347 | 5002100 | | | Thermoelementfühler 3050 mm P2 P3 | Thermocouple probe 3050 mm P2 P3 |
| 348 | 5002104 | | | STB Thermoelementfühler 2.80 m P2 P3 | Safety temperature limiter (STB) thermocouple sensor 2.80m P |
| 349 | 5003075 | | | Türkontaktschalter beruhigungslos:28.57x19.05x6.35,2Langlöch. | Door magnet switch |
| 352 | 5008011 | | | Pumpe für Garraumreinigung 200-240V P2 P3 | Pump for auto cleaning 200-240V P2 P3 |
| 353 | 5008079 | | | Entleerungspumpe mit Synchronmotor 200-240V | Drain pump with synchronous motor 200-2 |
| 354 | 5013051 | | | Druckschalter für automatische Garraumreinigung P2 P3 | Pressure switch for auto. oven cleaning P2 P3 |
| 355 | 5009301 | | | Steuerung 5000 VM (Versorgungsmodul) P2 P3 | Controller, 5000 supply module P2 P3 |
| 356 | 5009304 | | | Verbindungskabel SM auf BM Steuerung 5000 P2 P3 | Connection cable SM to BM electronic board 5000 P2 P3 |
| 357 | 5009306 | | | Tasterkappe 8,7 mm weiß P2 P3 | Cap for key 8,7 mm white electronic P2 P3 |
| 358 | 5009315 | | | Anschlusskabel RS232 für P2 P3 | Connection cable RS232 for P2 P3 |
| 359 | 5009320 | | | Einstellwippe komplett P2 P3 | Adjusting rocker complete P2 P3 |
| 360 | 5011000 | | | Dreifachmagnetventil 220-240V 50/60 Hz 180° P3 | Solenoid valve triple 220-240V 50/60 Hz 180° P3 |
| 362 | 5011002 | | | Wasserverteiler DN 13 P3 | Water distributor DN 13 P3 |
| 363 | 5011003 | | | T-Verbindungsstück WA 2x3/4" 1x1/2" P3 | T-joining piece WA 2x3/4" 1x1/2" P3 |
| 365 | 5012001 | | | Stecker direkt 7pol. RM 5 mm P3 | Plug direct 7pol. RM 5 mm P3 |
| 366 | 5012002 | | | Stecker direkt 8pol. RM 5 mm P3 | Plug direct 8pol. RM 5 mm P3 |
| 367 | 5012003 | | | Stecker direkt 12pol. RM 3,5 mm P3 | Plug, direct, 12-pin RM 3.5 mm P3 ZEC 1 |
| 368 | 5012004 | | | Stecker direkt 10pol. RM 3,5 mm P3 | Plug, direct, 10-pin RM 3.5 mm P3 ZEC 1 |
| 370 | 5013001 | | | Kerntemperatur-Meßfühler Mehrpunkt kpl. P3 | CTS, multipoint complete P3 |
| 372 | 5015002 | | | Glas für Garraumleuchte P3 | Glass for cooking space lamp P3 |
| 373 | 5015003 | | | Rahmen für Garraumleuchte P3 | Rahmen für Garraumleuchte P3 |
| 374 | 5018028 | | | Schwingkolbenpumpe MOD CP6 230V P3 | Piston pump MOD CP6 230V P3 |
| 378 | 2619179 | | | KD-Set THK L420 Stern 9,9 kW 230V kpl P3 | Customer service set, immersion heater L420 star 9.9 kW complete P3 |
| 380 | 2619181 | | | KD-Set RHK Ø480 Stern 18,9 kW 230V kpl P3 | Customer service set, tubular heating element Ø480 star 18.9 kW complete |
| 383 | 2619183 | | | KD-Set RHK Ø480 Litze 18,9 kW 200V kpl P3 | Customer service set, tubular heating element Ø480 braid 18.9 kW 200 V complete |
| 386 | 2619186 | | | KD-Set THK L420 Litze 9,9 kW 200V kpl P3 | Customer service set, immersion heater L420 braid 9.9 kW 200 V complete |
| 388 | 2619188 | | | KD-Set THK L420 Litze 9,9 kW 230V kpl P3 | Customer service set, immersion heater L420 braid 9.9 kW 230 V complete |
| 390 | 2619190 | | | KD-Set RHK Ø480 Litze 18,9 kW 230V kpl P3 | Customer service set, tubular heating element Ø480 braid 18.9 kW 230 V complete |
| 401 | 5018023 | | | Zusatzlüfter Sunon KD1212 PMBX-6A IP 54/55 P3 | Additional fan Sunon KD1212 PMBX-6A IP 54/55 P3 |
| 402 | 5019000 | | | Doppelniveausonde P3 kpl | Double-level probe P3 complete |
| 403 | 5019100 | | | Steuerung 5010 Steuermodul SM P3 | Controller, 5010 control module P3 |
| 404 | 5019101 | | | Steuerung 5010 Bedienmodul BM P3 | Controller, 5010 operating module P3 |
| 406 | 5019104 | | | Steuerung 5010 Kommunikationsmodul KM P3 | Electronic board 5010 KM (Communication module) P3 |
| 407 | 5019105 | | | Steuerung 5010 Press and Go-Modul P3 | Controller, 5010 Press and Go-Modul P3 |
| 408 | 2617348 | | | KD-Set Fußbefestigung Standgeräte P3 | Customer service set, foot mounting floor models P3 |

| Pos | Art.-Nr | --> | --> | deutsch | english |
|-----|---------|-----|-----|-------------------------------------------------------------------|------------------------------------------------------------------|
| 411 | 6005005 | | | Handbrause 1/2" Außengewinde | Hand shower 1/2" outside thread |
| 412 | 6005006 | | | Brausekopf 3/8" | Shower head 3/8" |
| 413 | 6005007 | | | Winkel für Handbrause | Bracket for hand shower |
| 414 | 6005016 | | | Flachdichtung 10x19x2 mm Novapress 800F ODC | Flat seal 10x19x2mm ODC P2 P3 |
| 415 | 6005025 | | | Flachdichtung 42,5 x 54 x 2 f. Dichtung 1 1/4" | Flat seal d=42.5x54x2 mm |
| 416 | 6005048 | | | Membrantülle Ø 60 (DG 48), Polychloropren-Kautschuk, Stanz-o60 | Membrane grommet DG 48 Ø 60mm |
| 418 | 6005055 | | | Dichtring 14,5x20x2, best. geg. V, Wasser, Dampf, Gas; -55-+300°C | Sealing ring 14x20 copper nickel plated for heating element |
| 419 | 6005068 | | | O-Ring 42,5x5,33mm, Silikonummi | O-ring 42,5x5,33mm |
| 420 | 2619149 | | | KD-Set Druckschalter REI P3 | Customer service set, pressure switch REI P3 |
| 421 | 6005236 | | | O-Ring 53x3 f. Dampferzeuger Entleerungspumpe P2 | O-Ring 53x3 for steam generator emptying pump P2 |
| 422 | 6005254 | | | Rändelmutter M3 P2 | Knurled nut M3 P2 P3 |
| 423 | 6005260 | | | Thermolementfühler-Dichtung P2 P3 | Thermocouple sensor seal P2 P3 |
| 424 | 6005299 | | | Stützhülse DE-Pumpe P2 P3 | Support bushing steam generator pump P2 P3 |
| 428 | 6005409 | | | Mutter für Düsenhalterung P2 | Nut for nozzle holder P2 |
| 429 | 6005412 | | | Düse 0,7 P2 | Nozzle 0,7 P2 |
| 430 | 6005413 | | | Düse 1,5 P2 | Nozzle 1,5 P2 |
| 431 | 6005414 | | | Winkel-Schlauchverbindungsstutzen 6mm | Hose coupling (elbow) 6mm |
| 432 | 6005416 | | | Winkelanschlusstück 6x1/8" 90° | Angle connector 6x1/8" 90° P2 P3 |
| 433 | 2619150 | | | KD-Set Schottverschraubung P3 | Customer service set, bulkhead union P3 |
| 434 | 6005427 | | | Membrantülle Ø83 (DG60) | Membrane grommet Ø83 (DG60) |
| 435 | 6006086 | | | Schlauchbinder 1/2" 12-20mm | Hose clip 1/2" 12-20mm |
| 436 | 6006087 | | | Schlauchbinder 25-40mm | Hose clamp 25-40 mm P2/P3 |
| 437 | 6006089 | | | Schlauchbinder 40-60mm | Hose clamp 40-60 mm P2/P3 |
| 438 | 6006092 | | | Sechskantmutter V2A R 1 1/4" | Hexagon nut R 1 1/4" A2 P2 P3 |
| 439 | 6006122 | | | Schlauchbinder 7-11mm ODgas | Hose clamp 7-11 mm OD gas P2 P3 |
| 440 | 2519151 | | | KD-Set Innentürschamier AS P3 | Customer service set for interior door hinge P3 |
| 442 | 6010001 | | | Ventilatorrad Ø 350x110 P3 | Fan wheel Ø 350x110 P3 |
| 444 | 6012000 | | | Drehhebelverschluss kpl. P3 | Rotating lever lock, complete P3 |
| 445 | 6012001 | | | Kloben kpl. P3 | Block, complete P3 |
| 446 | 2619153 | | | KD-Set Türanschlag VST P3 | Customer service set, door stop VST P3 |
| 447 | 2619154 | | | KD-Set Stützleiste VST P3 | Customer service set, support strip VST P3 |
| 448 | 2619155 | | | KD-Set Führungsleiste unt VST P3 | Customer service set, guide strip, lower VST P3 |
| 449 | 6014000 | | | Schlauchanschluss Pumpen Druckseite P3 | Hose connection, pump pressure side P3 |
| 450 | 6014001 | | | Schlauchanschluss Pumpen Saugseite P3 | Hose connection, pump suction side P3 |
| 451 | 6014003 | | | Eckventil 1/2" x 1/2" P3 | Corner valve 1/2" x 1/2" P3 |
| 452 | 6014004 | | | Eckventil Zierblende P3 | Corner valve, ornamental cap P3 |
| 454 | 6014041 | | | Einschlagstellfuß 40x40 Flansch Ø 89 SCH P3 | Punch-type adjustment foot marine 40x40 flange 89 P3 |
| 455 | 6014042 | | | Einschlagstellfuß 40x40 vierkant Flansch P3 | Punch-type adjustment foot 40x40 square flange P3 |
| 456 | 6014050 | | | Lenkrolle 125x32mm P3 | Swivel castor 125x32mm P3 |
| 457 | 6014051 | | | Bockrolle 125x32mm P3 | Fixed castor 125x32mm P3 |
| 458 | 6014052 | | | Lenkrolle 125x32mm m. Kipphebel u. Totalstopp P3 | Guide roller 125x32 mm with rocker arm and total ... |
| 459 | 6015000 | | | O-Ring 67x4 P3 | O-ring 67x4 P3 |
| 460 | 6015020 | | | Dichtung Garraumleuchte P3 | Seal for oven lamp P3 |
| 462 | 6015023 | | | Flachdichtung für Tauchheizkörper P3 | Flat seal for immersion heating element P3 |
| 464 | 6015025 | | | Flachdichtung f. Rohrheizkörper Einfachring P3 | Flat seal for ring of heating element P3 |
| 465 | 6015026 | | | Dichtung KTM-Durchführung P3 G | Seal, core temperature sensor feed-through P3 G |
| 476 | 6015040 | | | Flachdichtung für Doppelnieaussonde P3 | Flat seal for water level probe P3 |
| 479 | 6015060 | | | Kupfer-Dichtring vernickelt 18x24x1,5 P3 | Copper seal ring nickel-plated 18x24x1.5 P3 |
| 480 | 6015062 | | | Kupfer-Dichtring 10x14 vernickelt P3 | Copper seal ring 10x14 nickel-plated P3 |
| 481 | 6015100 | | | Ablaufwinkel für Dampferzeuger P3 | Elbow for steam generator drainage P3 |
| 482 | 6015200 | | | Abstandshalter Tür P3 | Spacer for door P3 |
| 483 | 6015201 | | | Distanzbolzen Tür P3 | Distance bolt door P3 |
| 485 | 6015203 | | | Halteklammer Tür P3 Standgerät | Clip for door P3 floor unit |
| 486 | 6015204 | | | Gegenhalter Tür Standgeräte P3 | Counter bracket for door of floor models P3 |
| 487 | 6015205 | | | Schlauchanschluss Entfeuchtung P3 | Hose connection dehumidifier P3 |
| 489 | 6015212 | | | Auflagestift Ansaugblech P3 | Support pin, intake panel P3 |
| 490 | 6015213 | | | Abstandsbuchse Motor 33mm P3 | Spacer bushing, motor 33 mm P3 |
| 491 | 6015215 | | | Winkel-Schlauchanschluss 3/8" m. Dichtung P3 | Elbow hose connection 3/8" with seal |
| 492 | 6015216 | | | Düse IN P3 | Nozzle IN P3 |
| 493 | 2619156 | | | KD-Set Sicherungsklotz VST P3 | Customer service set, security block VST P3 |
| 494 | 6015227 | | | Röhrmutter G 1/2" DIN 431 A2 P3 | Hexagon inch nut G 1/2" DIN 431 A2 P3 |
| 495 | 6015229 | | | Gewindehülse Druckschalter P3 | Threaded bushing, pressure switch P3 |
| 502 | 6015400 | | | Schlauchtülle Y-Stück 3/8" P3 | Hose coupling Y-form 3/8" P3 |
| 514 | 6016500 | | | Rücksaugversicherung für DE kpl. P3 | Back absorption safety device for steam generator cpl. P3 |
| 515 | 6016517 | | | Tasterkappe grau Press and Go P3 | Push button cap grey Press and Go P3 |
| 517 | 6019020 | | | Press and Go Symbole P3 | Symbols for Press and Go P3 |
| 518 | 2218196 | | | KD-Set Einspritzverteiler Single 20.10 P3 | Customer service set, fuel injection distributor single 20.10 P3 |
| 524 | 7002006 | | | PVC-Wasserschlauch ohne Einlagen Polyform 6/2 | PVC hose without lining polyform 6/2 |
| 525 | 7002002 | | | PVC-Wasserschlauch ohne Einlagen rot Polyform 6/2 | PVC hose without lining, red polyform 6/2 |
| 527 | 7002033 | | | Heisswasserschlauch 3/8" P2 P3 | Water hose for hot water 3/8" P2 P3 |
| 528 | 3417550 | | | Überlaufset P3 | Overflow set P3 |
| 529 | 7012008 | | | Abluftschlauch 830 mm lg. 20.10 P3 | Air outlet hose 830 mm long 20.10 P3 |
| 530 | 2617250 | | | KD-Set Reinigerpumpeneinheit 230V P3 | Customer service set, cleaner pump unit 230V P3 |
| 537 | 7011000 | | | Querdichtung Tür 20.10 P3 | Cross sealing door 20.10 P3 |
| 540 | 7011003 | | | Türdichtung 20.10 P3 | Door gasket 20.10 P3 |
| 545 | 7011010 | | | Dichtung Frontplatte P3 | Gasket front cover P3 |
| 550 | 7012005 | | | Abluftschlauch 620 mm lg. 20.10/20.20 DE P3 | Air outlet hose 620 mm long 20.10/20.20 DE P3 |
| 551 | 7012006 | | | Abluftschlauch 1560 mm lg. 20.10/20.20 IN P3 | Air outlet hose 1560 mm long 20.10/20.20 IN P3 |
| 559 | 7012016 | | | Kühlerschlauch für Pumpe 650 mm lang P3 | Radiator hose for pump 650 mm long P3 |
| 567 | 7012073 | | | Brauseschlauch 20.10/20.20 P3 | Shower hose 20.10/20.20 P3 |
| 568 | 7012080 | | | Heisswasserschlauch 1/2" P3 | Hose 1/2" P3 |
| 575 | 7012302 | | | EPDM-Schlauch ohne Einlage 6x2mm schwarz Pr P3 | EPDM hose, unlined 6x2 mm black |
| 576 | 7015200 | | | Abzieher für Lüfterrad P3 | Drawer for fan wheel P3 |
| 577 | 8001012 | | | Linsenschraube M3x6 DIN7986 A2 | Oval head screw M3 x 6 DIN7986 A2 |
| 578 | 8001013 | | | Linsenschraube M3x8 DIN7985 A2 | Oval head screw M3x8 A2 P2 P3 |
| 579 | 8001024 | | | Linsenschraube M4x10 DIN7985 A2 | Oval head screw M4 x 10 |
| 580 | 8001031 | | | Linsenschraube M5x10 DIN7985 A2 | Oval head screw M5x10 A2 P2 P3 |
| 581 | 8001074 | | | Innensechskantschraube M8x20 A2 DIN 912 f. Verschw.-Türe | Inner hexagon screw M8x20 |
| 582 | 8002021 | | | Linsensenkschr. M3x45 A2 DIN 964 | Cross-recessed oval head machine screw H M3 |
| 583 | 8002025 | | | Linsensenkschraube m. Kreuzschlitz M4x16 DIN966 A2 | Rounded countersunk head screw M4x16 A2 P2 P3 |
| 584 | 8002033 | | | Linsensenkschraube M5x16 DIN966 A2 | Rounded countersunk head screw M5x16 A2 P2 P3 |
| 585 | 8002043 | | | Linsensenkschraube M6x12 DIN 966 A2 P2 P3 | Rounded countersunk head screw M6x12 A2 P2 P3 |
| 588 | 8003030 | | | MLF-Schraube M5x15 A2 | MLF-screw M5x15 A2 |
| 589 | 8003032 | | | MLF-Schraube M6x20 A2 | MLF Screw M6x20 A2 |
| 590 | 8003035 | | | Sechskantschraube M5x10 A2 P2 P3 | Hexagon bolt M5x10 A2 P2 P3 |
| 591 | 8003043 | | | Sechskantschraube M6x16 DIN933 A2 | Hexagon bolt M6x16 A2 P2/P3 |
| 592 | 8003046 | | | Sechskantschraube M6x30 DIN933 A2 | Hexagon bolt M6x30 A2 P3 |
| 594 | 8004012 | | | Sechskantmutter M3 DIN934 A2 | Hexagon nut M3 A2 P2 P3 |
| 595 | 8004057 | | | Sechskantmutter M8 DIN934 A2 | Hexagon nut M8 A4 P2/P3 |
| 596 | 8005015 | | | Scheibe 3,2 DIN9021 A2 | Washer 3.2 A2 DIN 9021 P2/P3 |
| 597 | 8005021 | | | Scheibe 4,3 DIN125 A2 | Washer 4.3 A2 DIN 125 P3 |
| 598 | 8005040 | | | Scheibe 6,4 DIN125 A2 | Washer 6.4 A2 DIN 125 P2/P3 |
| 599 | 8005041 | | | Scheibe 6,4 A2 DIN 9021 | Washer 6.4 A2 DIN 9021 P2 P3 |
| 600 | 8006011 | | | Federring B3 DIN127 A2 | Spring ring B3 A2 P2/P3 |
| 601 | 8006057 | | | Schnorr-Sicherungsscheibe S6 P2 | Schnorr lock washer S6 A2 P2/P3 |
| 602 | 8006058 | | | Schnorr-Sicherungsscheibe S5 P2/P3 | Schnorr lock washer S5 A2 P2/P3 |
| 603 | 8006059 | | | Schnorr-Sicherungsscheibe S12 A2 | Schnorr lock washer S12 A2 |

| Pos | Art.-Nr | --> | --> | deutsch | english |
|-----|---------|------------|-----|--------------------------------------------------------------|-----------------------------------------------------|
| 604 | 8006060 | | | Fächerscheibe 8,4 DIN 6798 A2 Form A außengezähnt f. V-Türe | Schnorr lock washer S8 A2 P2/P3 |
| 605 | 8009009 | | | Abdeckkappe M8 schwarz | Cap M8 black P2 P3 |
| 606 | 8009030 | | | Distanzhülse 11,3mm P2 | Spacer sleeve 11.3 mm P2/ P3 |
| 607 | 8009057 | | | Drahtschelle D.36 schwarz P2/P3 | Fixing clamp D.36 black P2/P3 |
| 608 | 8009058 | | | Drahtschelle D. 10 | Fixing clamp D. 10 P2/P3 |
| 611 | 8010001 | | | Innensechskantschraube DIN EN ISO 10642 M6x35 A2 P3 | Hexagon socket screw DIN EN ISO 10642 |
| 613 | 8013002 | | | Zylinderschraube DIN912 - M8 x 25 A2 P3 | Fillister head screw DIN 912 - M8x25 A2 |
| 614 | 8013003 | | | Zylinderschraube DIN 7984 - M6x70 A2 P3 | Fillister head screw like DIN 6912 - M6x70 A2 P3 |
| 615 | 8013004 | | | Sechskantschraube M4x10 A2 P3 | Hexagon screw M4x10 A2 P3 |
| 618 | 8013007 | | | Sechskantschraube DIN 933 M12x30-A2-70 P3 | Hexagon screw DIN 933 M12x30-A2-70 P3 |
| 619 | 8013050 | | | Schraube DIN603 - M8 x 35 A2 P3 | Screw DIN 603 - M8x35 A2 |
| 621 | 8015000 | | | MLF-Schraube M6x8 A2 P3 | Screw MLF M6x8 A2 P3 |
| 621 | 8016000 | | | Schnorr-Sicherungsscheibe Ø20mm P3 | Conical lock washer Ø20mm P3 |
| 624 | 8016002 | | | Schnorr-Sicherungsscheibe S4 A2 P3 | Conical lock washer S4 A2 P3 |
| 625 | 8017010 | | | Sperrzahnmutter M5 A4 P3 | Toothed lock washer M5 A4 P3 |
| 626 | 8017011 | | | Sperrzahnmutter M6 A4 P3 | Toothed lock washer M6 A4 P3 |
| 628 | 8019004 | | | Kappe Verschlussschraube P3 | Cap screw plug P3 |
| 629 | 8019010 | | | Drahtschelle D.16 P3 | Wire clamp D.16 P3 |
| 632 | 6014006 | | | Drehkappe für Eckventil 1/2" x 1/2" P3 | Turncap for Corner Valve 1/2" x 1/2" P3 |
| 635 | 2618779 | | | KD-Set Glühlampe 230V/25W P3 | Customer service set, light bulb 230V/25W P3 |
| 636 | 2618780 | | | KD-Set Garraumleuchte kpl P3 | Customer service set, oven light complete P3 |
| 641 | 2618785 | | | KD-Set Befestigung Steuerung P3 | CS Set Controller attachment cP3 |
| 690 | 2619139 | | | KD-Set Führungsschiene VST 30x16 20.10 P3 | Customer service set, guide rail VST 30x16 20.10 P3 |
| 692 | 2619141 | | | KD-Set Führungsrolle VST 30x16 P3 | Customer service set, guide roller VST 30x16 P3 |
| 698 | 2619147 | | | KD-Set VST 20.10 kpl P3 | Customer service set, VST 20.10 complete P3 |
| 705 | 2114746 | EB6BD0904 | | Abdeckung hi EL/GAS IN 20.10 kpl P3 | Cover, rear EL/GAS IN 20.10 complete P3 |
| 705 | 2114746 | ES6BD1371 | | Abdeckung hi EL/GAS IN 20.10 kpl P3 | Cover, rear EL/GAS IN 20.10 complete P3 |
| 719 | 2114786 | EB6BD0904 | | Abdeckung li 20.10 kpl P3 | Cover, left 20.10 complete P3 |
| 719 | 2114786 | ES6BD1371 | | Abdeckung li 20.10 kpl P3 | Cover, left 20.10 complete P3 |
| 726 | 2115446 | | | Frontteil 20.10 vormont P3 | Front piece 20.10 preassembled P3 |
| 732 | 2114636 | | | Eckteile hi li 20.10/20.20 P3 | Corner piece, rear left 20.10/20.20 P3 |
| 735 | 2114703 | | | Außendecke EL 20.10 P3 | Outer cover EL 20.10 P3 |
| 735 | 2114703 | | | Außendecke EL 20.10 P3 | Outer cover EL 20.10 P3 |
| 751 | 2114508 | | | Abdeckung Pumpenauschnitt P3 | Cover pump cutout P3 |
| 762 | 2117416 | EB6BD0905 | | Abdeckung li gesteckt 20.10 kpl P3 | Cover, left inserted 20.10 complete P3 |
| 762 | 2117416 | ES6BD1372 | | Abdeckung li gesteckt 20.10 kpl P3 | Cover, left inserted 20.10 complete P3 |
| 769 | 2117436 | EB6BD0905 | | Abdeckung hi gesteckt EL/GAS IN 20.10 kpl P3 | Cover, rear inserted EL/GAS IN 20.10 complete P3 |
| 769 | 2117436 | ES6BD1372 | | Abdeckung hi gesteckt EL/GAS IN 20.10 kpl P3 | Cover, rear inserted EL/GAS IN 20.10 complete P3 |
| 797 | 2218111 | EB6BL1700 | | Ansaugbl. RV DE 20.10 kpl P3 | Suction panel RV EL DE 12.20 kpl P7 |
| 798 | 2218114 | ES6BK2833 | | Ansaugbl. RV IN 20.10 kpl P3 | Suction panel RV EL DE 12.20 kpl P9 |
| 801 | 8009022 | | | Blechmutter 14x11 Gewinde 4,8 | Plate nut 14x11 screw 4.8 |
| 802 | 8012003 | | | Linien-Blechschräube 4,8x32 DIN7981 A2 P3 | Pan-headed tapping screw 4.8x32 DIN7981 A2 P3 |
| 803 | 2114627 | app. 01/07 | | Bodenklappe Kondensator P3 | Bottom flap, condenser P3 |
| 805 | 2119228 | app. 01/07 | | Bodenklappe Kondensator m Überlauf links P3 | Bottom flap, condenser with overflow left P3 |
| 902 | 3007029 | | | Convocare Leerkarister 10 L | Convocare empty canister 10 L |
| 903 | 6009016 | | | Kunststoffbuchstabe "C" rot, 90x62x2mm,ABS-orange"PH-AT 337" | Plastic letter "C", red (Red C) P2 |
| 904 | 6019104 | | | Aufkleber: Wasserqualität und Anschluss P3 | Sticker: Water quality and connection, P3 |
| 905 | 6019106 | | | Aufkleber: Gasdaten P3 | Sticker: Gas data, P3 |
| 906 | 6019107 | | | Aufkleber: manuelle Reinigung P3 | Sticker: Manual Cleaning, P3 |
| 907 | 7002024 | | | Fettablaufschlauch 1" für Hähnchen-Ausführung | Grease drain hose 1" for chicken version |
| 908 | 7003066 | | | Dichtungsband 9x3 EPDM | Sealing tape 9x3 EPDM P2 P3 |
| 909 | 7003087 | | | Fettkartusche 400gr. V-T)re OD | Grease cartridge 400 gr. front doors OD P2 P3 |
| 910 | 7004012 | | | Sicherungsmittel Loctite Typ 243e | Loctite 243 10ml P3 |
| 911 | 7004013 | | | Schraubensicherungslack | Screw lock varnish P2 P3 |
| 912 | 7004020 | | | Silikonkleber E 43 | Silicon adhesive E 43 90 ml P2 P3 |
| 914 | 7014003 | | | Loctite 8001 - Schmiermittel P3 | Loctite 8001 - lubricant P3 |
| 915 | 3019007 | | | KD-Set Wasseranalysegerät | Customer service set, water analysis device |
| 916 | 5019200 | | | USB Konverter auf seriell RS232 P3 | USB converter to serial RS232 P3 |

Technische Neuentwicklungen, Änderungen und Irrtümer vorbehalten.

New technical developments, changes and errors excepted.

| Pos | Art.-Nr | --> | --> | français | español |
|-----|---------|------------|-----|---------------------------------------------------------------------|---------------------------------------------------------------------------|
| 101 | 2002042 | | | Porte douchette | Soporte de ducha de mano |
| 102 | 2004035 | | | Support pour câble sonde à coeur P2P3 | Soporte para cable de sonda para temperatura central P2 P3 |
| 103 | 2004234 | | | Cale d'alimentation P3 | Guía de cuña para carro de equipamiento P3 |
| 124 | 2012102 | | | Accroche pour condensateur P3 | Soporte para condensador P3 |
| 125 | 2012103 | | | Tuyère pour condensateur P3 | Tobera para condensador P3 |
| 126 | 2012110 | | | Condensateur modèle sur pied avec trop-plein à gauche cpl.P3 | Condensador aparato estacionario desbord. izq. cpl. P3 |
| 127 | 2013002 | | | Tuyère de cône 45° 1/8" P3 | Tobera de cono 45° 1/8" P3 |
| 128 | 2014003 | | | Plaque butée supérieure pour porte P3 | Plancha reticulación arriba para puerta P3 |
| 129 | 2014005 | | | Ressort silicone pour porte P3 | Muelle silicon para puerta P3 |
| 130 | 2014007 | | | Centre de charnière bas cpl. porte P3 | Plancha de bisagra de puerta abajo P3 |
| 131 | 2619152 | | | Kit SAV bloc de grille pour plaque glissière P3 | Juego serv. técnico bloque de retícula para placa deslizante P3 |
| 133 | 2614750 | | | Barre guide pour porte escamotable modèle sur pied P2 | Estribo de guía para aparato estacionario VST P2 |
| 137 | 2016005 | | | Bypass P3 cpl. 20.10 | Bypass P3 cpl. 20.10 |
| 139 | 2016007 | | | Tube de mesure P3 | Tube de medición P3 |
| 142 | 2016020 | | | Conduit eau X.10 soudé P3 | Tubería agua X.10 soldado P3 |
| 146 | 2016073 | | | Conduit IN X.10 soudé P3 | Tubería IN X.10 soldado P3 |
| 149 | 2016113 | | | Conduit douchette 20.10/20.20 P3 | Tubería ducha de mano 20.10/20.20 P3 |
| 153 | 2016122 | | | Conduit nettoyage 20.10 soudé P3 | Tubería limpiador 20.10 soldado P3 |
| 160 | 2019001 | | | Scurit de transport chariot 20.10/20.20 P3 | Seguro de transporte carro de equipamiento 20.10/20.20 P3 |
| 161 | 2019005 | | | Poignée glissante pour chariot système banquet 20.10 P3 | Mango deslizable para carro platos 20.10 P3 |
| 163 | 2114799 | | | Soutien KM soudé P3 | Soporte KM soldado P3 |
| 168 | 2114819 | | | Tôle de coffrage porte escamotable 20.10/20.20 P3 | Chapa de revestimiento VST 20.10/20.20 P3 |
| 171 | 2115478 | | | Rail de guidage re 20.10 soudé P3 | Carril de entrada dcha. 20.10 sold. P3 |
| 172 | 2115479 | | | Rail de guidage li 20.10 soudé P3 | Carril de entrada izda. 20.10 sold. P3 |
| 173 | 2117280 | | | Kit SAV tampon de butée porte escamotable P3 | Juego serv. técnico tampón VST P3 |
| 174 | 2117291 | | | Kit SAV galet de guidage porte escamotable P3 | Juego serv. técnico rodillo guía VST P3 |
| 175 | 2117299 | | | Kit SAV fermeture couvercle P3 | Juego serv. técnico cierre cubierta P3 |
| 176 | 2117300 | | | Kit SAV plaque frontale OEB/OGB P3 | Juego serv. técnico panel frontal OEB/OGB P3 |
| 177 | 2117301 | | | Kit SAV plaque frontale OES/OGS P3 | Juego serv. técnico panel frontal OES/OGS P3 |
| 178 | 2117302 | | | Kit SAV plaque frontale OES/OGS Press & Go P3 | Juego serv. técnico panel frontal OES/OGS Press & Go P3 |
| 187 | 2214146 | EB6BL 1699 | | Grille de protection du ventilateur DE 20.10 cpl P3 | Chapa de aspiración DE 20.10 cpl P3 |
| 194 | 2214156 | ES6BK2832 | | Grille de protection du ventilateur IN 20.10 cpl P3 | Chapa de aspiración IN 20.10 cpl P3 |
| 214 | 2216796 | | | Bride déshumidification cpl P3 | Cubierta deshumectación cpl P3 |
| 227 | 2217278 | | | Kit SAV tôle de protection pour sonde cuisson 6.10GAZ/x0.10 | Juego serv. técnico chapa protect. sonda horno 6.10GAZ/x0.10 |
| 229 | 2217281 | | | Kit SAV cache de bypass P3 | Juego serv. técnico cubierta bypass P3 |
| 230 | 2217288 | | | Kit SAV régulateur de pression IN P3 | Juego serv. técnico válvula reguladora de presión IN P |
| 233 | 6002100 | | | set de fermeture rapide pur grille de protection | Cierre rápido para chapa de aspiración |
| 245 | 2217335 | | | Kit SAV tuyère d'aspersion 1,0mm P3 | Juego serv. técnico boquilla de inyección 1,0 mm P3 |
| 247 | 2314244 | | | Générateur de vapeur EL/GAZ suspension 20.10, 20.20 P3 | Generador de vapor EL/GAS suspensión 20.10, 20.20 P3 |
| 252 | 2317308 | | | Kit SAV GV EL 10.20/12.20/20.10 P3 | Juego serv. técnico gv EL 10.20/12.20/20.10 P3 |
| 264 | 2514355 | | | Porte 20.10 cpl P3 | Puerta 20.10 cpl P3 |
| 266 | 2514386 | | | Profil en U pour joint de porte 20.10 P3 | Perfil en U para junta de puerta 20.10 P3 |
| 273 | 2514393 | | | Porte intérieure 20.10 cpl. P3 | Puerta interior 20.10 cpl. P3 |
| 276 | 2517292 | | | Kit SAV charnière de porte intérieure P3 | Juego serv. técnico bisagra de puerta interior P3 |
| 277 | 2517296 | | | Kit SAV charnière sup. P3 | Juego serv. técnico bisagra sup. P3 |
| 278 | 2517297 | | | Kit SAV charnière inf. P3 | Juego serv. técnico bisagra inf. P3 |
| 279 | 2608962 | | | Reniflard cpl | Válvula de depresión cpl |
| 280 | 2609347 | | | Tuyau flexible d'aspiration pour nettoyeur | Manguera de aspiración para compartimento limpiador |
| 281 | 2609349 | | | Tuyau flexible d'aspiration pour agent de rinçage | Manguera de aspiración para compartimento abillantador |
| 282 | 2611010 | | | Tête automatique d'extinction soud. | Cabeza automática de extinción sold. |
| 283 | 2611184 | | | Tuyère rotorique cpl. | Boquilla del rotor cpl |
| 284 | 2614253 | | | Contre-bride pour élément chauffant tubulaire-anneau simple | Contrabrida para calentador tubular anillo individual P3 |
| 297 | 2617282 | | | Kit SAV moteur triphasé 4/8p0l 0,6kW 200-240V 60Hz/200V 50Hz | Juego serv. técnico motor trifásico 4/8 polos 0,6kW 20 |
| 298 | 2617283 | | | Kit SAV moteur triphasé 4/8p0l 0,6kW 380-415V 50Hz/380-480V 6 | Juego serv. técnico motor trifásico 4/8 polos 0,6kW 38 |
| 301 | 2617286 | | | Kit SAV moteur triphasé 4p0l 0,6kW toutes tensions P3 | Juego serv. técnico motor trifásico 4 polos 0,6kW toda |
| 303 | 2617293 | | | Kit SAV fixation d'hélice de ventilateur P3 | Juego serv. técnico fijación del rodete de ventilador |
| 304 | 2617294 | | | Kit SAV fixation moteur P3 | Juego serv. técnico fijación del motor P3 |
| 305 | 2617295 | | | Kit SAV joint arbres moteur P3 | Juego serv. técnico junta árbol motor P3 |
| 315 | 2216090 | | | Couvercle boiler air d'alimentation | Cubierta caja de entrada de aire mont P3 |
| 318 | 3007061 | | | Filter pour Convocare | Filtro para Convocare |
| 326 | 3315244 | | | Poignée de chariot 20.10 polie électriquement P3 | Asa para carro de equipamiento 20.10 electropulida P3 |
| 327 | 3315258 | | | Clapet collecteur chariot glissires polie lectriquement 20. | Cubeta colectoras carro de transporte, electropulida 20.10 P3 |
| 335 | 3416730 | | | Kit d'installation d'eau P3 | Juego de instalación de agua P3 |
| 336 | 3417275 | | | Kit pour régler joint de porte P3 | Kit para ajustar junta de puerta P3 |
| 337 | 4007087 | | | Attache cables 140x3.6 | Cinta de sujeción para cables 140 x 3.6 resistente a la ca |
| 338 | 5001041 | | | Thermostat sécurité résistant à l'écrasement 340°C | Termostato seguridad resistente a la fractura 340°C |
| 339 | 5001059 | | | Electrovanne simple 220-240V | Válvula magnética |
| 340 | 5001080 | | | Electrovanne double 200-240V 50Hz | Válvula magnética doble 200-240V 50Hz |
| 341 | 5002061 | | | Kit SAV jeu de joints sonde à coeur | Juego serv. técnico de juego de juntas para sonda t. central |
| 342 | 2219137 | | | Kit SAV sonde à coeur sous-vide P3 | Juego serv. técnico sonda de temperatura central "sous-vide" P3 |
| 344 | 5002094 | | | Connecteur X2 OSC, OSG, OSP P2 P3 | Connector X2 OSC, OSG, OSP P2 P3 |
| 346 | 5002096 | | | Connecteur Picto "Press and Go" P2 P3 | Conector Picto "Press and Go" P2 P3 |
| 347 | 5002100 | | | Thermocouple sonde 3050 mm P2 P3 | Termoelemento sonda 3050 mm P2 P3 |
| 348 | 5002104 | | | Securite thermique thermocouple sonde 2.80 m P2 P3 | Limitador de seguridad la termoelemento sonda 2.80 m P2 P3 |
| 349 | 5003075 | | | Interrupteur magnétique de porte | Interruptor magnético de puerta |
| 352 | 5008011 | | | Pompe pour nettoyage de l'enceinte de cuisson P2 P3 | Bomba para limpieza de la zona de coccion P2 P3 |
| 353 | 5008079 | | | Pompe d'évacuation avec moteur synchrone 200-240V | Bomba evacuación con motor synchrone 200-240V |
| 354 | 5013051 | | | Interrupteur manométrique pour nettoyage enceinte de cuisson P2 P3 | Interruptor pulsante para limpieza autom. del interior del horno P2 P3 |
| 355 | 5009301 | | | Commande électronique 5000 VM (Module d'alimentation) P2 P3 | Mando 5000 VM (Módulo de alimentación) P2 P3 |
| 356 | 5009304 | | | Cable d'alimentation SM-BM commande 5000 P2 P3 | Cable de conexión SM a BM mando 5000 P2 P3 |
| 357 | 5009306 | | | Capuchon touche 8,7 mm blanc commande électronique P2 P3 | Tapa de pulsador 8,7 mm blanco P2 P3 |
| 358 | 5009315 | | | Cable de connexion RS232 pour P2 P3 | Cable de conexión RS232 para P2 P3 |
| 359 | 5009320 | | | Bouton à bascule de réglage complete P2 P3 | Balaceador de ajuste completo P2 P3 |
| 360 | 5011000 | | | Valve à solénoïde triple 220-240V 50/60 Hz 180° P3 | Válvula magnética triple 220-240V 50/60 Hz 180° P3 |
| 362 | 5011002 | | | Distributeur d'eau DN 13 P3 | Distribuidor de agua DN 13 P3 |
| 363 | 5011003 | | | Pièce de raccord en T WA 2x3/4" 1x1/2" P3 | Pieza de conexión en T WA 2x3/4" 1x1/2" P3 |
| 365 | 5012001 | | | Connecteur direct 7pol. RM 5 mm P3 | Conector directo 7pol. RM 5 mm P3 |
| 366 | 5012002 | | | Connecteur direct 8pol. RM 5 mm P3 | Conector directo 8pol. RM 5 mm P3 |
| 367 | 5012003 | | | Connecteur direct 12pol. RM 3,5 mm P3 | Conector directo 12pol. RM 3,5 mm P3 |
| 368 | 5012004 | | | Connecteur direct 10pol. RM 3,5 mm P3 | Conector directo 10pol. RM 3,5 mm P3 |
| 370 | 5013001 | | | Sonde à coeur multipoint cpl. P3 | Sonda de temp. central multipunto cpl. P3 |
| 372 | 5015002 | | | Verré pour lampe de l'enceinte de cuisson P3 | Cristal para luz del horno P3 |
| 373 | 5015003 | | | Cadre pour lampe de l'enceinte de cuisson P3 | Bastidor para luz del horno P3 |
| 374 | 5018028 | | | Pompe à piston balancé MOD CP6 230V P3 | Bomba a pistón oscilante MOD CP6 230V P3 |
| 378 | 2619179 | | | Kit SAV thermoplongeur 420 étoile 9,9 kW cpl. P3 | Juego serv. técnico radiador inmers. L420 estrella 9,9 kW cpl. P3 |
| 380 | 2619181 | | | Kit SAV élément chauffant tubulaire Ø480 étoile P3 18,9 kW cpl. | Juego serv. técnico radiador tubular Ø480 estrella 18,9 kW cpl. P3 |
| 383 | 2619183 | | | Kit SAV élément chauffant tubulaire Ø480 toron 18,9 kW 200V cpl. P3 | Juego serv. técnico radiador tubular Ø480 versión cordones 18,9 kW 200 V |
| 386 | 2619186 | | | Kit SAV thermoplongeur L420 toron 9,9 kW 200V cpl. P3 | Juego serv. técnico radiador de inmersión L420 versión cordones 9,9 kW 20 |
| 388 | 2619188 | | | Kit SAV thermoplongeur L420 toron 9,9 kW 230V cpl. P3 | Juego serv. técnico radiador de inmersión L420 versión cordones 9,9 kW 23 |
| 390 | 2619190 | | | Kit SAV élément chauffant tubulaire Ø480 toron 18,9 kW 230V cpl. P3 | Juego serv. técnico radiador tubular Ø480 versión cordones 18,9 kW 230 V |
| 401 | 5018023 | | | Ventilateur additional Sunon KD1212 PMBX-6A IP 54/55 P3 | Ventilador adicional Sunon KD1212 PMBX-6A IP 54/55 P3 |
| 402 | 5019000 | | | Sonde double niveau cpl. P3 | Doble sonda de nivel cpl. P3 |
| 403 | 5019100 | | | Commande électronique 5010 SM (Module de contrôle) P3 | Mando 5010 SM (Módulo de mando) P3 |
| 404 | 5019101 | | | Commande électronique 5010 BM (Module d'utilisation) P3 | Mando 5010 BM (Módulo de mando) P3 |
| 406 | 5019104 | | | Commande électronique 5010 KM (Module de communication) P3 | Mando 5010 KM (Módulo de comunicación) P3 |
| 407 | 5019105 | | | Commande électronique 5010 Press and Go-Modul P3 | Mando 5010 Press and Go-Modul P3 |
| 408 | 2617348 | | | Kit SAV de fixation au sol modèles sur pied | Juego serv. técnico fijación pie de aparatos estacionarios P3 |

| Pos | Art.-Nr | --> | --> | français | español |
|-----|---------|-----|-----|--------------------------------------------------------------|--------------------------------------------------------------------|
| 411 | 6005005 | | | Douchette 1/2" | Ducha de mano 1/2" |
| 412 | 6005006 | | | Tête de douchette 3/8" | Cabezal rociador 3/8" |
| 413 | 6005007 | | | Angle pour douchette | Angulo para ducha de mano |
| 414 | 6005016 | | | Joint plat 10x19x2mm ODC | Junta plana 10x19x2mm ODC |
| 415 | 6005025 | | | Joint plat 42,5x54x2mm P3 | Junta plana 42,5x54x2mm P3 |
| 416 | 6005048 | | | Joint de cheminée Ø 60mm | Manguito de membrana Ø 60mm |
| 418 | 6005055 | | | Joint en cuivre nickelé pour resistance circulaire 14x20 | Junta tórica para calefacción de aire caliente niquelada 14x |
| 419 | 6005068 | | | Joint torique 42.5x5.33mm | Anillo tórico 43,82x5,33 P2 P3 |
| 420 | 2619149 | | | Kit SAV interrupteur manométrique | Juego serv. técnico interruptor pulsante REI P3 |
| 421 | 6005236 | | | Joint torique 53x3 pour pompe d'évacuation P2 | Junta tórica 53x3 para bomba evacuación P2 |
| 422 | 6005254 | | | Ecrou moleté M3 P2 | Tuerca moleteada M3 P2 |
| 423 | 6005260 | | | Joint pour thermocouple sonde P2 P3 | Obturación para termoelemento sonda P2 P3 |
| 424 | 6005299 | | | Gaine de protection pompe GV P2 P3 | Casquillo de apoyo bomba GV P2 P3 |
| 428 | 6005409 | | | Ecrou pour fixation tuyère P2 | Tuerca para fijación para hilera P2 |
| 429 | 6005412 | | | Tuyère 0,7 P2 | Tobera 0,7 P2 |
| 430 | 6005413 | | | Tuyère 1,5 P2 | Tobera 1,5 P2 |
| 431 | 6005414 | | | Raccord pour tuyaux (angle) 6mm | Unión de mangueras (ángulo) 6mm |
| 432 | 6005416 | | | Embout coude 6x1/8" 90° | Codo de expalme 6x1/8" 90° |
| 433 | 2619150 | | | Kit SAV raccord passe-cloison P3 | Juego serv. técnico racor de paso del mamparo P3 |
| 434 | 6005427 | | | Joint de cheminée Ø83 (DG60) | Manguito de membrana Ø83 (DG60) |
| 435 | 6006086 | | | Collier de serrage 1/2" 12-20mm P2/P3 | Cinta de sujeción para mangueras 1/2" 12-20mm P2/P3 |
| 436 | 6006087 | | | Collier de serrage 25-40mm P2/P3 | Cinta de sujeción para mangueras 25-40mm P2/P3 |
| 437 | 6006089 | | | Collier de serrage 40-60mm P2/P3 | Cinta de sujeción para mangueras 40-60mm P2/P3 |
| 438 | 6006092 | | | Ecrou hexagonal R 1 1/4" A2 P2 P3 | Tuerca hexagonal R 1 1/4" A2 P2 P3 |
| 439 | 6006122 | | | Collier de serrage 7-11mm ODgaz P2 P3 | Cinta de sujeción para mangueras 7-11mm ODgaz P2 P3 |
| 440 | 2519151 | | | Kit SAV charnière de porte intérieure AS P3 | Juego serv. técnico bisagra de puerta interior P3 |
| 442 | 6010001 | | | Hélice de ventilateur Ø 350x110 P3 | Rueda de ventilador Ø 350x110 P3 |
| 444 | 6012000 | | | Poignée de porte P3 cpl. | Empuñadura P3 cpl. |
| 445 | 6012001 | | | Valet de porte P3 cpl. | Gozne de puerta P3 cpl. |
| 446 | 2619153 | | | Kit SAV cale-porte escamotable P3 | Juego serv. técnico tope de puerta VST P3 |
| 447 | 2619154 | | | Kit SAV listel de support porte escamotable P3 | Juego serv. técnico regleta de apoyo VST P3 |
| 448 | 2619155 | | | Kit SAV listel de guidage inf. porte escamotable P3 | Juego serv. técnico regleta de guía VST P3 |
| 449 | 6014000 | | | Raccord de tuyau pompe côté refoulement P3 | Empalme de manguera lado de impulsión P3 |
| 450 | 6014001 | | | Raccord de tuyau pompe côté admission P3 | Empalme de manguera lado de succión P3 |
| 451 | 6014003 | | | Soupape d'équerre 1/2" x 1/2" P3 | Válvula angular 1/2" x 1/2" P3 |
| 452 | 6014004 | | | Soupape d'équerren enjoliveur P3 | Válvula angular, embellecedor P3 |
| 454 | 6014041 | | | Pied de réglage 40x40 bride 89 marine P3 | Pie de apoyo regulable 40x40 brida 89 marino P3 |
| 455 | 6014042 | | | Pied de réglage 40x40 bride carre P3 | Pie de apoyo regulable 40x40 cuadrado brida P3 |
| 456 | 6014050 | | | Roulette pivotante 125x32mm P3 | Rodillo guía 125x32mm P3 |
| 457 | 6014051 | | | Roulette fixe 125x32mm P3 | Rueda fija 125x32mm P3 |
| 458 | 6014052 | | | Roulette pivotante avec frein 125x32mm P3 | Rodillo guía con freno 125x32mm P3 |
| 459 | 6015000 | | | Joint torique 67x4 P3 | Junta tórica 67x4 P3 |
| 460 | 6015020 | | | Joint pour enceinte de cuisson P3 | Junta para luz del horno P3 |
| 462 | 6015023 | | | Joint plat pour thermoplongeur P3 | Junta plana para calentador de inmersión P3 |
| 464 | 6015025 | | | Joint plat pour chaînon d'élément de chauffe P3 | Junta plana para anillo de radiador tubular P3 |
| 465 | 6015026 | | | Joint version STC P3 G | Junta paso sonda de temperatura central P3 G |
| 476 | 6015040 | | | Joint plat pour sonde de niveau P3 | Junta plana para sonda de nivel P3 |
| 479 | 6015060 | | | Joint en cuivre nickelé 18x24x1.5 P3 | Junta en cobre niquelado 18x24x1.5 P3 |
| 480 | 6015062 | | | Joint en cuivre 10x14 P3 | Junta en cobre 10x14 P3 |
| 481 | 6015100 | | | Coude d'écoulement pour chaudière à vapeur P3 | Codo de purga para generador de vapor P3 |
| 482 | 6015200 | | | Ecarteur pour porte P3 | Distanciador para puerta P3 |
| 483 | 6015201 | | | Boulon d'écartement porte P3 | Perno distanciador puerta P3 |
| 485 | 6015203 | | | Etrier de retenue pour porte P3 modèle sur pied | Grapa retén puerta P3 aparato estacionario |
| 486 | 6015204 | | | Butoir porte appareil sur pieds P3 | Contrasoporte puerta modelos con carro P3 |
| 487 | 6015205 | | | Raccord de tuyau de déshumidification P3 | Empalme de manguera deshumidificación P3 |
| 489 | 6015212 | | | Appui tôle d'aspiration P3 | Soporte lámina de aspiración P3 |
| 490 | 6015213 | | | Douille d'écartement 33mm P3 | Casquillo distanciador motor 33mm P3 |
| 491 | 6015215 | | | Angle raccord de tuyau 3/8" | Ángulo empalme de manguera 3/8" |
| 492 | 6015216 | | | Injecteur IN P3 | Boquilla IN P3 |
| 493 | 2619156 | | | Kit SAV bloc de sécurité porte escamotable P3 | Juego serv. técnico taco de seguridad VST P3 |
| 494 | 6015227 | | | Ecrou hexagonal inch G 1/2" DIN 431 A2 P3 | Tuerca hexagonal inch G 1/2" DIN 431 A2 P3 |
| 495 | 6015229 | | | Douille Interrupteur manométrique P3 | Casquillo roscado interruptor de presión P3 |
| 502 | 6015400 | | | Raccord pour tuyaux Y-form 3/8" P3 | Unión de mangueras en Y 3/8" P3 |
| 514 | 6016500 | | | Absorption retour dispositif pour générateur de vapeur cpl.P | Reabsorción dispositivo de seguridad para vaporizador P3 |
| 515 | 6016517 | | | Capuchon pour insert, gris Press and Go P3 | Capuchón de tecla, gris Press and Go P3 |
| 517 | 6019020 | | | Symboles pour Press and Go P3 | Symbolos para Press and Go P3 |
| 518 | 2218196 | | | Kit SAV répartiteur d'injection Single 20.10 P3 | Juego serv. técnico distribuidor de inyección simple 20.10 P3 |
| 524 | 7002006 | | | Tuyau d'eau PVC sans insert polyform 6/2 | Manguera de agua en PVC sin pieza intercalada, poliform. 6/2 |
| 525 | 7002002 | | | Tuyau d'eau PVC sans insert rouge polyform 6/2 | Manguera de agua en PVC sin pieza intercalada, rojo, poliform. 6/2 |
| 527 | 7002033 | | | Tuyau d'eau chaude 3/8" P2 P3 | Manguera de agua caliente 3/8" P2 P3 |
| 528 | 3417550 | | | Kit trop-plein P3 | Juego de desbordamiento P3 |
| 529 | 7012008 | | | Tuyau d'évacuation d'air 830 mm de long 20.10 P3 | Manguera de salida de aire, largo 830 mm 20.10 P3 |
| 530 | 2617250 | | | Kit SAV pompe détergent 230V P3 | Juego serv. técnico unidad limpiadora de la bomba 230 V P3 |
| 537 | 7011000 | | | Joint transversal porte 20.10 P3 | Junta transversal puerta 20.10 P3 |
| 540 | 7011003 | | | Joint de porte 20.10 P3 | Junta de puerta 20.10 P3 |
| 545 | 7011010 | | | Joint platine avant P3 | Junta panel frontal P3 |
| 550 | 7012005 | | | Tuyau d'évacuation d'air 620 mm de long 20.10/20.20 GV P3 | Manguera de salida de aire, largo 620 mm 20.10/20.20 GV P3 |
| 551 | 7012006 | | | Tuyau d'évacuation d'air 1560 mm de long 20.10/20.20 IN P3 | Manguera de salida de aire, largo 1560 mm 20.10/20.20 IN P3 |
| 559 | 7012016 | | | Tuyau de refroidissement de pompe 650 mm de long P3 | Manguera de refrigerador para bomba, largo 650 mm P3 |
| 567 | 7012073 | | | Gaine douchette 20.10/20.20 P3 | Manguera de ducha 20.10/20.20 P3 |
| 568 | 7012080 | | | Tuyau 1/2" P3 | Manguera 1/2" P3 |
| 575 | 7012302 | | | Tube EPDM 6x2 mm | Manguera EPDM 6x2 mm |
| 576 | 7015200 | | | Démonteur poww ventilateur P3 | Extractor para ventilador P3 |
| 577 | 8001012 | | | Vis à tête bombée M3x6 A2 P3 | Tornillo alomado M3x6 A2 P3 |
| 578 | 8001013 | | | Vis à tête bombée M3x8 A2 P2 P3 | Tornillo alomado M3x8 A2 P2 P3 |
| 579 | 8001024 | | | Vis à tête bombée M4x10 | Tornillo alomado M4x10 |
| 580 | 8001031 | | | Vis à tête bombée M5x10 A2 P2 P3 | Tornillo alomado M5x10 A2 P2 P3 |
| 581 | 8001074 | | | Vis à six pans creux M8x20 | Tornillo de hexágono interior M8x20 |
| 582 | 8002021 | | | Vis conique bombée empreinte cruciforme H M3x45 A2 DIN966 P2 | Tornillo avellan. gota sebo ranura cruz H M3x45 A2 DIN966 P2 |
| 583 | 8002025 | | | Vis à tête conique bombée M4x16 A2 P2 P3 | Tornillo con cabeza avellanada gota de sebo M4x16 A2 P2 P3 |
| 584 | 8002033 | | | Vis à tête conique M5x16A2 | Tornillo avellanado M5x16A2 |
| 585 | 8002043 | | | Vis à tête conique bombée M6x12 A2 P2 P3 | Tornillo con cabeza avellanada gota de sebo M6x12 A2 P2 P3 |
| 588 | 8003030 | | | Vis MLF M5x15 A2 | Tornillo MLF M5x15 A2 |
| 589 | 8003032 | | | Vis MLF M6x20 A2 | Tornillo MLF M6x20 A2 |
| 590 | 8003035 | | | Vis à six pans creux M5x10 A2 P2 P3 | Tornillo hexagonal M5x10 A2 P2 P3 |
| 591 | 8003043 | | | Vis à six pans creux M6x16 A2 P2/P3 | Tornillo hexagonal M6x16 A2 P2/P3 |
| 592 | 8003046 | | | Vis hexagonale M6 x 30 | Tornillo de cabeza hexagonal M6 x 30 |
| 594 | 8004012 | | | Ecrou hexagonal M3 A2 P2 P3 | Tuerca hexagonal M3 A2 P2 P3 |
| 595 | 8004057 | | | Ecrou hexagonal M8 A4 P2/P3 | Tuerca hexagonal M8 A4 P2/P3 |
| 596 | 8005015 | | | Rondelle 3,2 A2 DIN9021 P2/P3 | Arandela 3,2 A2 DIN9021 P2/P3 |
| 597 | 8005021 | | | Rondelle 4,3 A2 DIN125 P2/P3 | Arandela 4,3 A2 DIN125 P2/P3 |
| 598 | 8005040 | | | Rondelle 6,4 A2 DIN 125 P2/P3 | Arandela 6,4 A2 DIN125 P2/P3 |
| 599 | 8005041 | | | Rondelle 6,4 A2 DIN 9021 | Arandela 6,4 A2 DIN 9021 |
| 600 | 8006011 | | | Rondelle élastique B3 A2 P2/P3 | Arandela elástica B3 A2 P2/P3 |
| 601 | 8006057 | | | Rondelle à éventail S6 A2 P2 | Arandela de frenado S6 A2 P2 |
| 602 | 8006058 | | | Rondelle de sécurité Schnorr S5 P2/P3 | Disco Schnorr S5 P2/P3 |
| 603 | 8006059 | | | Rondelle de sécurité Schnorr S12 A2 | Disco Schnorr S12 A2 |

| Pos | Art.-Nr | --> | --> | français | español |
|-----|---------|------------|------------|---------------------------------------------------------------|------------------------------------------------------------|
| 604 | 8006060 | | | Rondelle à éventail 8,4 A2 | Arandela de frenado 8,4 A2 |
| 605 | 8009009 | | | Chape en plastique our M8 | Tornillo de hexágono interior |
| 606 | 8009030 | | | Entretoise 11,3mm P2 | Casquillo distanciador 11,3mm P2 |
| 607 | 8009057 | | | Bride de serrage pour fil D.36 noir P2/P3 | Abrazadera de alambre D.36 negro P2/P3 |
| 608 | 8009058 | | | Bride de serrage D. 10 | Abrazadera D. 10 |
| 611 | 8010001 | | | Vis à six pans creux DIN EN ISO 10642 M6x35 A2 P3 | Tornillo de hexágono int. DIN EN ISO 10642 M6x35 A2 P3 |
| 613 | 8013002 | | | Vis à tête cylindrique DIN912 - M8 x 25 A2 P3 | Tornillo cilíndrico DIN912 - M8 x 25 A2 P3 |
| 614 | 8013003 | | | Vis à tête cylindrique DIN 7984 - M6x70 A2 P3 | Tornillo cilíndrico DIN 7984 - M6x70 A2 P3 |
| 615 | 8013004 | | | Vis à six pans creux M4x10 A2 P3 | Tornillo hexagonal M4x10 A2 P3 |
| 618 | 8013007 | | | Vis hexagonale DIN 933 M12x30-A2-70 P3 | Tornillo de cabeza hexagonal DIN 933 M12x30-A2-70 P3 |
| 619 | 8013050 | | | Vis DIN603 - M8 x 35 A2 P3 | Tornillo DIN603 - M8 x 35 A2 P3 |
| 621 | 8015000 | | | Vis MLF M6x8 A2 P3 | Tornillo MLF M6x8 A2 P3 |
| 622 | 8016000 | | | Rondelle à éventail Ø20mm P3 | Arandela de frenado Ø20mm P3 |
| 624 | 8016002 | | | Rondelle à éventail S4 A2 P3 | Arandela de frenado S4 A2 P3 |
| 625 | 8017010 | | | Cliquet écrou M5 A4 P3 | Tuerca con apoyo de dientes de bloqueo M5 A4 P3 |
| 626 | 8017011 | | | Cliquet écrou M6 A4 P3 | Tuerca con apoyo de dientes de bloqueo M6 A4 P3 |
| 628 | 8019004 | | | Capuchon vis d'obturation P3 | Caperuza tornillo de cierre P3 |
| 629 | 8019010 | | | Bride métallique D.16 P3 | Abrazadera metálica D.16 P3 |
| 632 | 2614006 | | | Chape Soupape d'équerre 1/2" x 1/2" P3 | Caperuza válvula angular 1/2" x 1/2" P3 |
| 635 | 2618779 | | | Kit SAV ampoule électrique 230V/25W P3 | Juego serv. técnico lámpara incandescente 230V/25W P3 |
| 636 | 2618780 | | | Kit SAV éclairage enceinte de cuisson complet P3 | Juego serv. técnico luz del área de cocción compl. P3 |
| 641 | 2618785 | | | Kit SAV fixation commande P3 | Juego serv. técnico sujeción del mando P3 |
| 690 | 2619139 | | | Kit SAV guide rail porte escamotable 30x16 20.10 P3 | Juego serv. técnico carril guía VST 30x16 20.10 P3 |
| 692 | 2619141 | | | Kit SAV galet de guidage porte escamotable 30x16 P3 | Juego serv. técnico rodillo guía VST 30x16 P3 |
| 698 | 2619147 | | | Kit SAV porte escamotable 20.10 cpl. P3 | Juego serv. técnico 20.10 cpl P3 |
| 705 | 2114746 | EB6BD0904 | | Couvercle AR EL/GAZ IN 20.10 cpl. P3 | Cubierta tras EL/GAS IN 20.10 cpl P3 |
| 705 | 2114746 | ES6BD1371 | | Couvercle AR EL/GAZ IN 20.10 cpl. P3 | Cubierta tras EL/GAS IN 20.10 cpl P3 |
| 719 | 2114786 | EB6BD0904 | | Couvercle gauche 20.10 cpl. P3 | Cubierta izq 20.10 cpl P3 |
| 719 | 2114786 | ES6BD1371 | | Couvercle gauche 20.10 cpl. P3 | Cubierta izq 20.10 cpl P3 |
| 726 | 2115446 | | | Plaque frontale 20.10 préassemblée P3 | Parte frontal 20.10 vormont P3 |
| 732 | 2114636 | | | Pièce d'angle AR gauche 20.10/20.20 P3 | Esquina tras izq 20.10/20.20 P3 |
| 735 | 2114703 | | | Couvercle extérieur EL 20.10 P3 | Cubierta externa EL 20.10 P3 |
| 735 | 2114703 | | | Couvercle extérieur EL 20.10 P3 | Cubierta externa EL 20.10 P3 |
| 751 | 2114508 | | | Couvercle section de pompe P3 | Cubierta sección de bomba P3 |
| 762 | 2117416 | EB6BD0905 | | Couvercle gauche enfoncé 20.10 cpl. P3 | Cubierta izq insertada 20.10 cpl P3 |
| 762 | 2117416 | ES6BD1372 | | Couvercle gauche enfoncé 20.10 cpl. P3 | Cubierta izq insertada 20.10 cpl P3 |
| 769 | 2117436 | EB6BD0905 | | Couvercle AR enfoncé EL/GAZ IN 20.10 cpl. P3 | Cubierta tras insertada EL/GAS IN 20.10 cpl P3 |
| 769 | 2117436 | ES6BD1372 | | Couvercle AR enfoncé EL/GAZ IN 20.10 cpl. P3 | Cubierta tras insertada EL/GAS IN 20.10 cpl P3 |
| 797 | 2218111 | EB6BL1700 | | Grille de protection du ventilateur RV DE 20.10 cpl. P3 | Chapa aspir. RV DE 20.10 cpl P3 |
| 798 | 2218114 | ES6BK2833 | | Grille de protection du ventilateur RV IN 20.10 cpl. P3 | Chapa aspir. RV IN 20.10 cpl P3 |
| 801 | 8009022 | | | Ecrou de tôle 14x11 filetage 4,8 | Tuerca de chapa 14x11 rosca 4,8 |
| 802 | 8012003 | | | Vis autotaraudeuse à tête bombée 4,8x32 DIN7981 A2 P3 | Tornillo de chapa avellanado 4,8x32 DIN7981 A2 P3 |
| 803 | 2114627 | | app. 01/07 | Trappe au sol condensateur P3 | Cubierta del fondo del condensador P3 |
| 805 | 2119228 | app. 01/07 | | Trappe au sol condensateur avec trop-plein gauche P3 | Cubierta del fondo condensador con reboso izq P3 |
| 902 | 3007029 | | | Convocare bidon vide 10 L | Convocare bidón vacío 10 L |
| 903 | 6009016 | | | Logo "C" rouge 90x62x2mm | Letra "C" de plástico roja 90x62x2mm |
| 904 | 6019104 | | | Autocollant: Qualité de l'eau et raccord, P3 | Etiqueta: Calidad de agua y conexión, P3 |
| 905 | 6019106 | | | Autocollant: Données de gaz, P3 | Etiqueta: Datos de gas, P3 |
| 906 | 6019107 | | | Autocollant: Nettoyage manuel, P3 | Etiqueta: Limpieza manual, P3 |
| 907 | 7002024 | | | Tuyau d'évacuation des graisses 1" pour version petit robinet | Manguera de salida de grasa 1" para la versión para pollos |
| 908 | 7003066 | | | joint pour carte électronique 9x3 | Cinta de obturación 9x3 |
| 909 | 7003087 | | | Cartouche à graisse 400 g portes frontales OD P2 P3 | Cartucho de grasa 400g. Puerta V OD P2 P3 |
| 910 | 7004012 | | | Loctite Typ 243 | Loctite 243 10ml P2/P3 |
| 911 | 7004013 | | | Vernis de sécurité pour vis | Laca de bloqueo P2 P3 |
| 912 | 7004020 | | | Tube de colle Silicone E 43 | Cola de silicona E 43 |
| 914 | 7014003 | | | Loctite 8001 - graisse P3 | Loctite 8001 - Lubrificante P3 |
| 915 | 3019007 | | | Kit SAV pour appareil d'analyse de l'eau | Juego serv. técnico para aparato de análisis de agua |
| 916 | 5019200 | | | Convertisseur USB à RS232 P3 | Convertidor USB para RS232 P3 |

Sous réserve de modifications techniques, de nouveaux développements et d'erreurs.

Nos reservamos el derecho de nuevos desarrollos técnicos, modificaciones y errores.