

Cleveland

Installation, Operation & Maintenance Manual

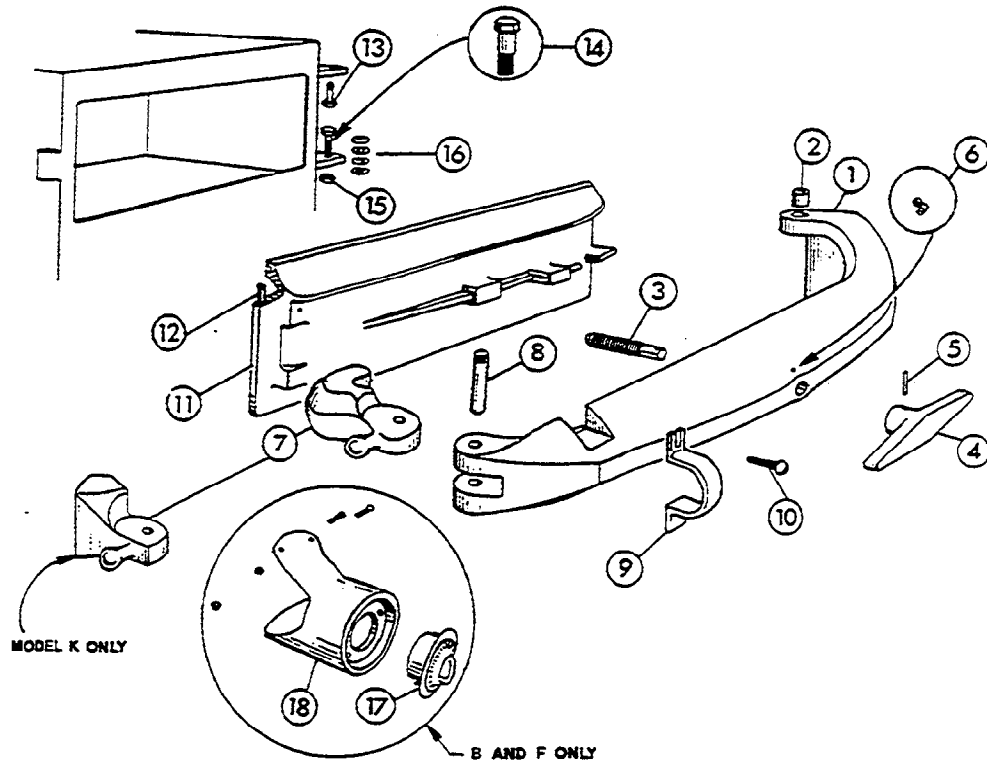
PRESSURE STEAMERS



SERIES: PGM, PEM, PSM, PDM, PDL-2/3

260APC-A

MODELS B, C, F, K PRESSURE STEAMERS DOOR AND DOOR ARM ASSEMBLY

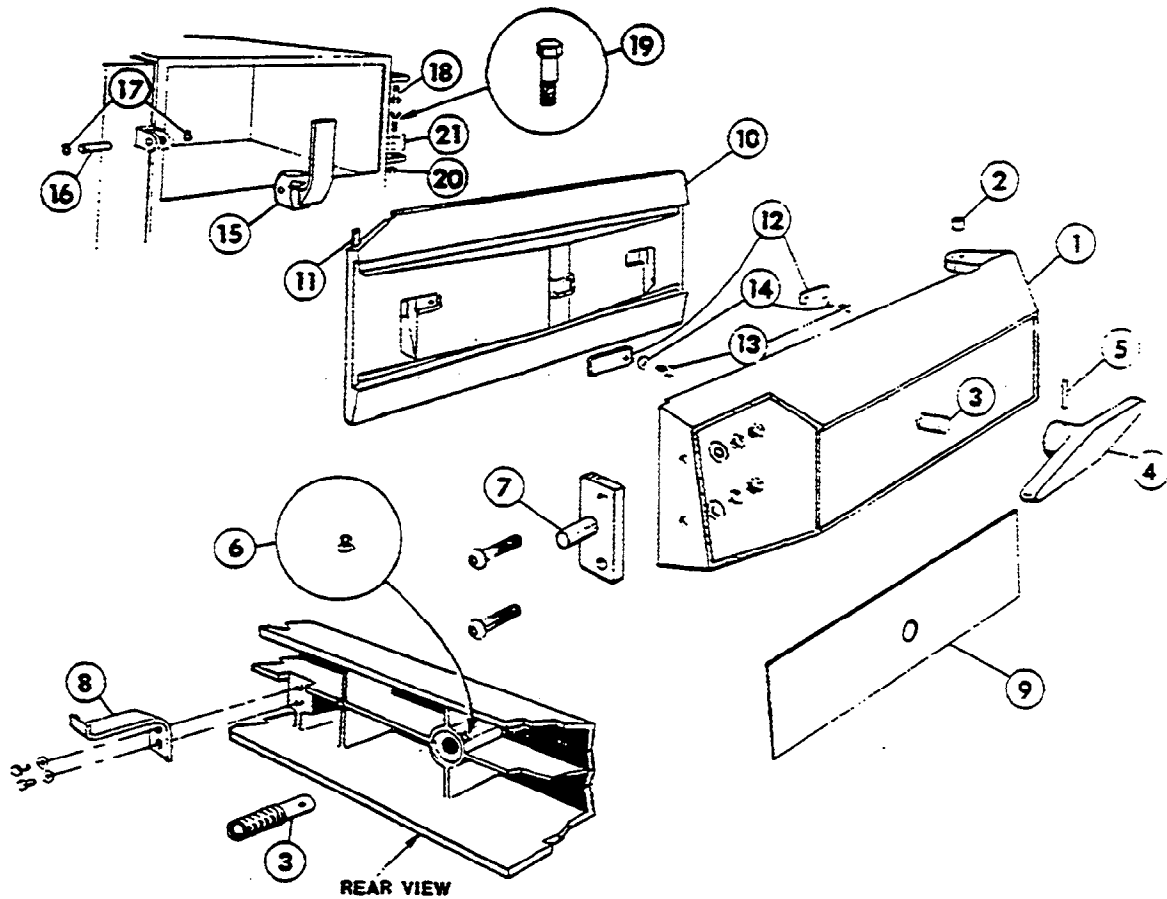


REFERENCE NUMBER	PART NUMBER	DESCRIPTION
1	25303	Door Arm With Bushings — Model B & C, Polished
	25304	Door Arm With Bushings — Model F & K, Polished
2	02568	Door Arm Hinge Bushing (2 Required)
3	41370	Standard Door Arm Screw With Ball (1" x 8 thread)
	41371	Oversize Door Arm Screw With Ball 1½" x 8 thread)
4	081001	Screw Handle Bar, Polished
5	16305	Pin
6	15250	Oil Cup
7	122011	Door Arm Latch — Model B, C, & F Chrome Plated
	122021	Door Arm Latch — Model K Chrome Plated
8	101018	Door Arm Latch Pin — Model B, C, F, & K Brass
	163101	Door Arm Latch Pin — Model B, C, F, & K Chrome Plated
9	081031	Door Retainer — Model B, C, F, & K Chrome Plated
10	19291	Screw
11	041631	Door, Model B Polished
	04164	Door, Model C Polished
	04165	Door, Model F & K Polished
12	07132	Door Gasket — Rubber, Model B
	07134	Door Gasket — Rubber, Model C, F, K
13	023001	Door Arm Hinge Post Bolt (Upper) — Concentric Type —
14	023061	Door Arm Hinge Post Bolt (Lower) — Eccentric Type —
15	14643	Nut, For Lower Hinge Post Bolt
16	23181	Shim Washer
17	40547	60 Minute Bell Timer Assembly
18	08601	Timer Housing — Model B & C Polished (Not Available)
	08606	Timer Housing — Model F Polished (Not Available)

CLEVELAND RANGE CO., 1333 EAST 179th ST., CLEVELAND, OHIO 44110

Manufacturer reserves right of design improvement or modification, as warranted.

MODEL J DOOR AND DOOR ARM ASSEMBLY



REFERENCE NUMBER	PART NUMBER	DESCRIPTION
1	253021	Door Arm W/Bushings, Polished
2	02568	Door Arm Hinge Bushing (2 Required)
3	41370	Standard Door Arm Screw With Ball (1" x 8 thread)
4	41371	Oversize Door Arm Screw With Ball (1 $\frac{1}{32}$ " x 8 thread)
5	081001	Screw Handle Bar, Polished
6	16305	Pin
7	15250	Oil Cup
8	41360	Striker Plate and Pin.
9	43723	Door Hanger w/Screws and Washers (2 Required)
10	53035	Door Arm Insert, Stainless
11	04162	Polished Aluminum Door, Less Gasket
12	07136	Door Gasket — Rubber
13	68140	Retainer, Yoke Hanger (2 Required)
14	19228	Screw
15	23182	Washer
16	122001	Door Arm Latch, Chrome Plated
17	163141	Door Arm Latch Pin, Chrome Plated
18	18306	Retainer Clip, (2 Required)
19	023001	Door Arm Hinge Post Bolt (Upper) — Concentric Type —
20	023061	Door Arm Hinge Post Bolt (Lower) — Eccentric Type —
21	14643	Nut, For Lower Hinge Post Bolt
	23181	Shim Washers

CLEVELAND RANGE CO., 1333 EAST 179th ST., CLEVELAND, OHIO 44110

Manufacturer reserves right of design improvement or modification, as warranted.

CLEVELAND RANGE CO., 1333 EAST 179th ST., CLEVELAND, OHIO 44110

Manufacturer reserves right of design improvement or modification, as warranted.

MECHANICAL COMPARTMENT CONTROLS MODEL J PRESSURE STEAMERS—JAN. 1982 THRU PRESENT

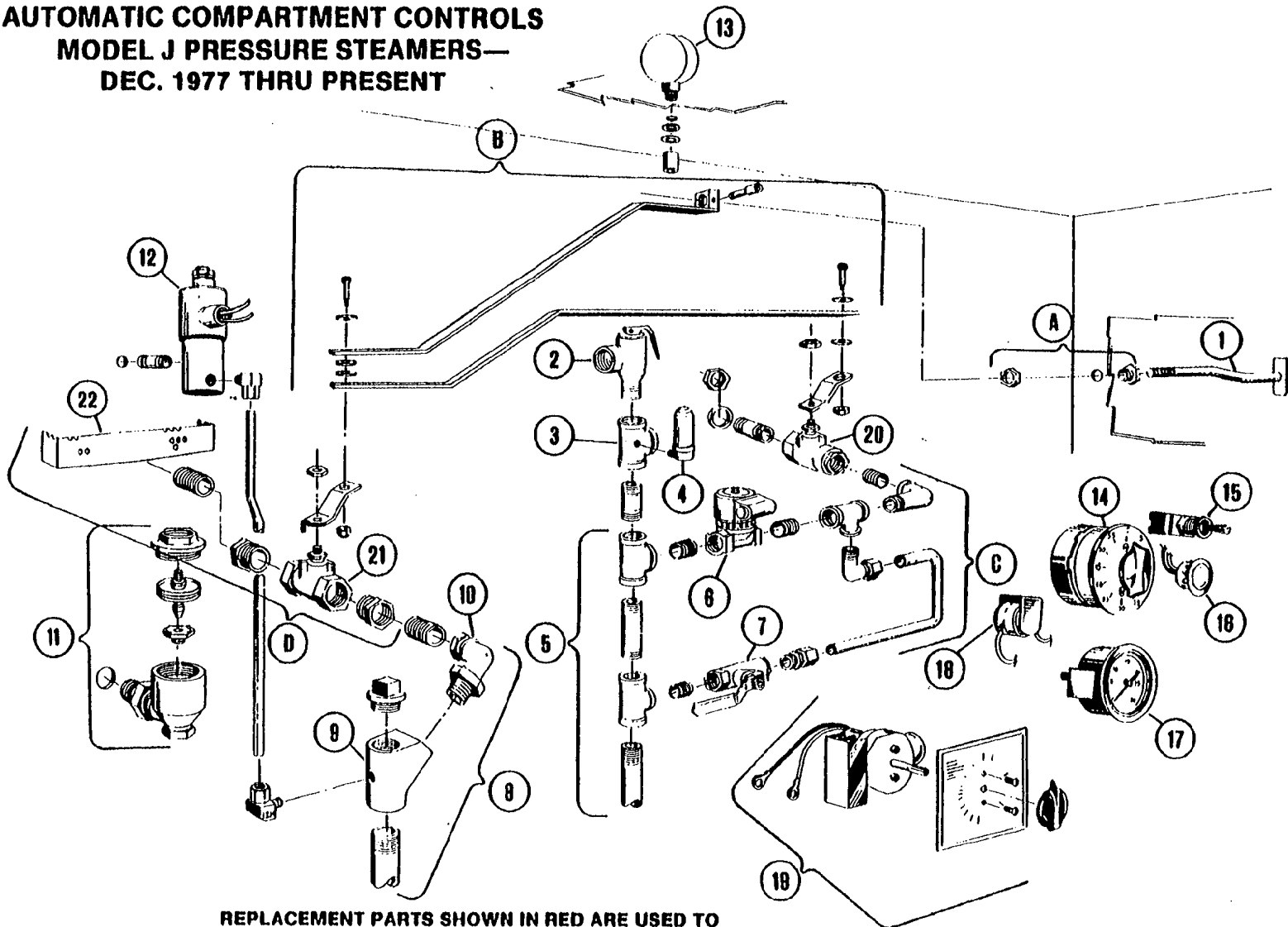
REFERENCE NUMBER	PART NUMBER	DESCRIPTION
1	40850	Pull Rod Handle
2	22130	Valve, Safety, 8 PSI
3	70411	Tea, Special 3/4"
4	22140	Air Vent
5	42278	Inlet Manifold Ass'y.—2-Compt.—Mech. "J", Less Valves
	42277	Inlet Manifold Ass'y.—3-Compt.—Mech. "J", Less Valves
6	07173	Gauge, Pressure, Rear Mount, 0-30 PSI
7	42288	Exhaust Manifold Ass'y.—2-Compt., Model "J", Less Valves
	42289	Exhaust Manifold Ass'y.—3-Compt., Model "J", Less Valves
	02146	"Y" Bend
9	05263	Ell, 3/4" Radiator Union
10	20551	Thermostatic Trap—Plain End
11	05252	Ell, 1/2" Street
12	22212	Valve, 1/2" Ball, Inlet Steam
13	22213	Valve, 1" Butterfly, Exhaust Steam
14	41100	Drain Cover Screen
A	43765	Bushing Ass'y.
B	40879	Linkage Ass'y., Model "J"
C	42697	Conversion Kit, Inlet Valve—"J" Mech., Includes: 1/2" Inlet Steam Valve, 1/2" Street Elbow, 1/2" x 6" Nipple, 1/2" x 2 1/4" Special Nipple, (2) Locknuts, (2) Sealing Washers
D	40710	Conversion Kit, Exhaust Valve, Includes: 1" Exhaust Steam Valve, (2) 1" x 3/4" Bushings, 3/4" Close Nipple, Drain Cover Screen.

NOTE: FOR SAFETY PURPOSES, DRAIN SCREEN COVER MUST BE IN PLACE WHEN OPERATING EQUIPMENT.

**AUTOMATIC COMPARTMENT CONTROLS
MODEL J PRESSURE STEAMERS—
DEC. 1977 THRU PRESENT**

LTHO IN USA 1082

CLEVELAND RANGE CO., 1333 EAST 179th ST., CLEVELAND, OHIO 44110
Manufacturer reserves right of design improvement or modification, as warranted.



**REPLACEMENT PARTS SHOWN IN RED ARE USED TO
CONVERT OLDER STEAMERS, BUILT BEFORE DEC. 1977,
WHICH CONTAINED GATE VALVES. (GROUPS A, B, C, D.)**

**AUTOMATIC COMPARTMENT CONTROLS
MODEL J PRESSURE STEAMERS—DEC. 1977 THRU PRESENT**

REFERENCE NUMBER	PART NUMBER	DESCRIPTION
1	40850	Pull Rod Handle
2	22130	Valve, Safety, 8 PSI
3	70411	Tee, Special ¾"
4	22140	Air Vent
5	42286	Inlet Manifold Ass'y.—2-Compt.—Auto "J", Less Valves
	42297	Inlet Manifold Ass'y.—3-Compt.—Auto "J", Less Valves
6	22115	Valve, ½" Steam Inlet Solenoid
7	03278	Valve, Steam By-Pass
8	42288	Exhaust Manifold Ass'y.—2-Compt., Model "J", Less Valves
	42289	Exhaust Manifold Ass'y.—3-Compt., Model "J", Less Valves
9	43764	"Y" Bend—with ¼" Tapped Hole
10	05263	Elb, ¾" Radiator Union
11	20551	Thermostatic Trap—Plain End
12	22199	¼" Solenoid Valve, Auto Exhaust, 115 Volt, For Use With 40518 Timer
	22185	¼" Solenoid Valve, Auto Exhaust, 115 Volt, For Use With 40540 Timer
13	07172	Gauge, Pressure, Bottom Mount, 0-30 PSI
14	40518	Timer, 60 Min. Mechanical (Mfg. #70000)
15	19977	Switch—SPST
16	12161	Light, Signal
17	07173	Gauge, Pressure, Rear Mount, 0-30 PSI
18	41350	Buzzer
19	40540	Timer, 105 Min. (Mfg. 601)
20	22212	Valve, ½" Ball, Inlet Steam
21	22213	Valve, 1" Butterfly, Exhaust Steam
22	41100	Drain Cover Screen
A	43765	Bushing Ass'y.,
B	40879	Linkage Ass'y., Model "J"
C	40712	Conversion Kit, Inlet Valve—"J" Auto, Includes: ½" Inlet Steam Valve, ½" Street Elbow, ¾" Tube Fing., ¾" — 90° Tube Fing., (2) ½" Close Nipples, ½" x 2¼" Special Nipple, ½" x ½" x ¾" Tee, ¾" x 12" Tube, (2) Locknuts, (2) Sealing Washers
D	40710	Conversion Kit, Exhaust Valve, Includes: 1" Exhaust Steam Valve, (2) 1" x ¾" Bushings, ¾" Close Nipple, Drain Cover Screen.

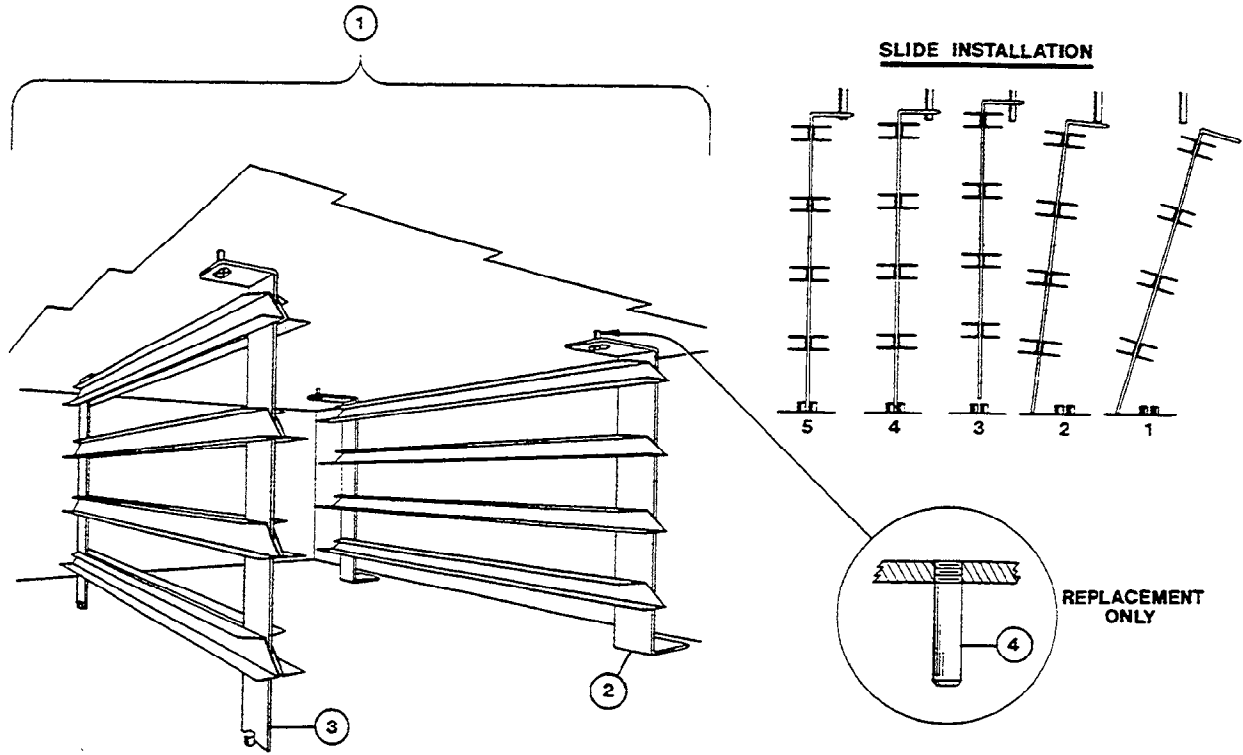
NOTE: FOR SAFETY PURPOSES, DRAIN SCREEN COVER MUST BE IN PLACE WHEN OPERATING EQUIPMENT

LTHO IN U.S.A. 1082

CLEVELAND RANGE CO., 1333 EAST 179th ST., CLEVELAND, OHIO 44110
Manufacturer reserves right of design improvement or modification, as warranted.

Data Sheet 251-5A (R2)

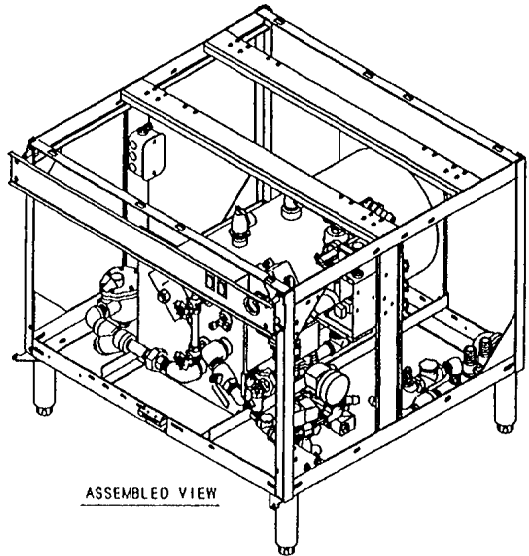
MODELS J AND K PRESSURE STEAMER SLIDE SETS



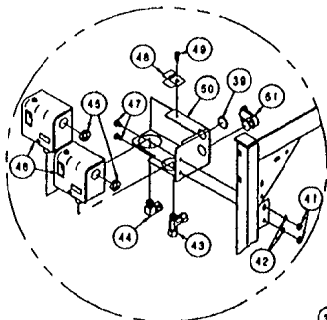
REFERENCE NUMBER	PART NUMBER	DESCRIPTION
1	41440	Pan Support Slide Set, Model J Complete
	41442	Pan Support Slide Set, Model K Complete
2	41430	Right or Left Side Slide Rack, 2 Per Compt Req'd, Model J
	41432	Right or Left Side Slide Rack, 2 Per Compt Req'd, Model K
3	41435	Center Slide Rack Model J, 1 Req'd Per Compt
	41437	Center Slide Rack Model K, 1 Req'd Per Compt
4	19909	Replacement Top Studs (Screw-In) J or K (Set of 6)

CLEVELAND RANGE, INC., 1333 EAST 179th ST., CLEVELAND, OHIO 44110

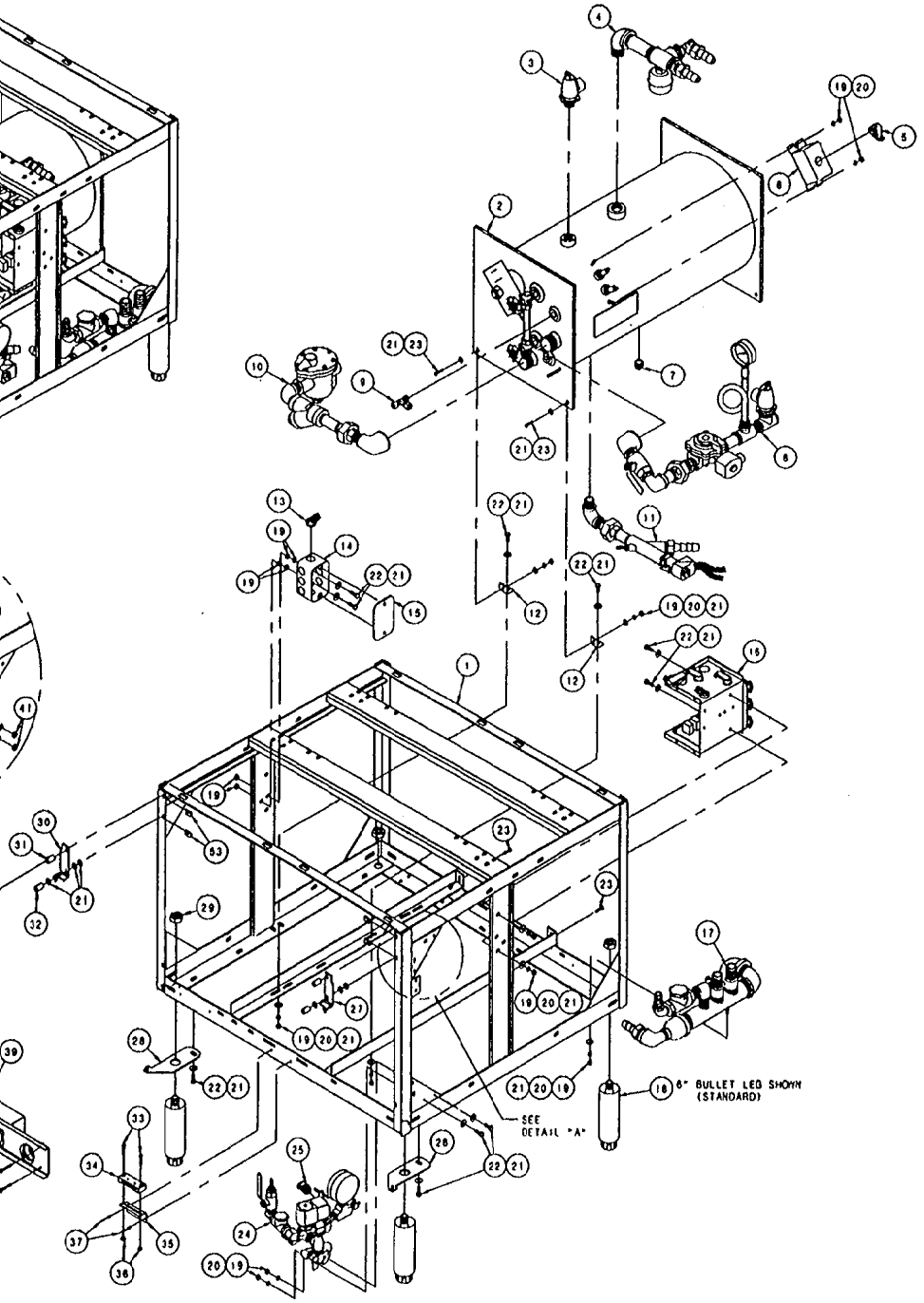
Manufacturer reserves right of design improvement or modification, as warranted.



ASSEMBLED VIEW



DETAIL A



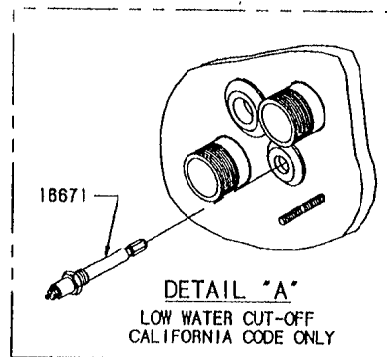
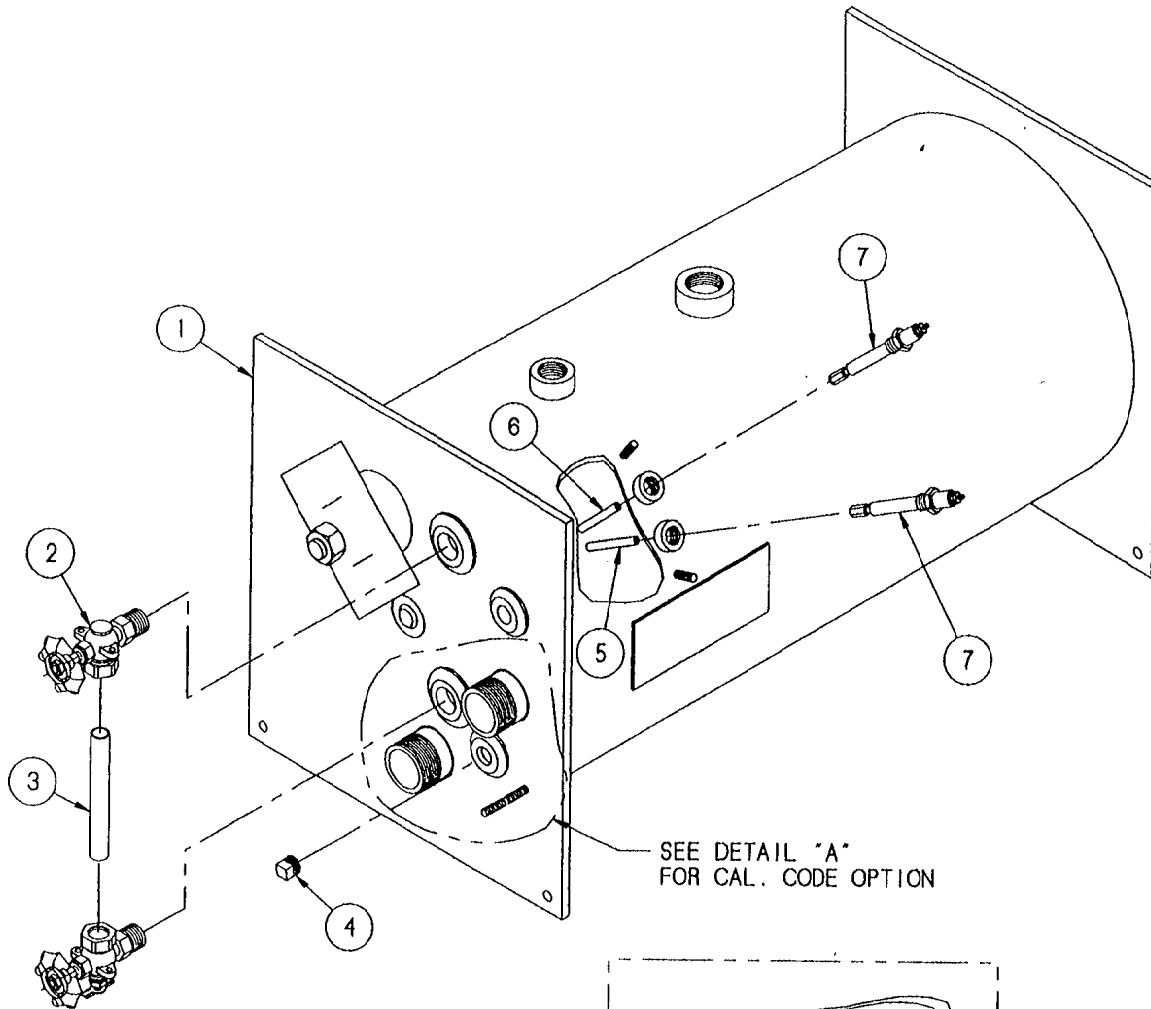
SEE DETAIL "A"

THIS DESIGN DESCRIBES A PROPRIETARY ITEM AND IS THE PROPERTY OF CLEVELAND RANGE. THIS DRAWING IS NOT TO BE COPIED OR USED WITHOUT THE APPROVAL OF CLEVELAND RANGE.

LET.	REVISIONS	DATE	BY
A	ADDED P/N 106090, 106099; P/N 23116 WAS	05-23-94	EAG
-	DTY(20), P/N 14616 WAS DIV(23), #C-2643		

64	4	106090	SCREW, TRUSS HD PHILPS, 10-24 X 1-1/2
63	4	106099	NUT, SLIP ON, 13-24, TINNERMAN
52	A/R	00994	SEALANT, RECTORSEAL
51	1	105247	CONNECTOR, 1/2 X 90° SHAPITE
50	1	526241	BRACKET, PRESSURE SWITCH, GAS/ELEC
49	1	10148	SCREW, HEX WASHER HEAD, SLTD
48	1	52490	BRACKET, PRESSURE SWITCH RETAINER
47	2	18218	SCREW, HEX HEAD, 1/4-20 X 3/5 S/S
46	2	18947	SWITCH, PRESSURE CONTROL
45	2	02599	BUSHING, INSULATING, 3/8 X 1/2 HEYCO
44	1	09198	FITTING, COMP, 3/8 X 1/4 MPT, 90°
43	1	100803	FITTING, COMP TEE 3/8 X 1/4 NPT X 3/8
42	2	23137	WASHER, LOCK INT TOOTH, 1/4 S/S
41	2	14688	NUT, HEX JAM, 1/4-20, S/S
40	1	105246	CONNECTOR, GREENFIELD 1/2 STRAIGHT
39	1	19329	PLUG, SNAP-IN, 1/2" FOR 7/8" HOLE
38	1	1048074	CONSOLE ASSY, 900 MM 2 SWITCH
37	A/R	18359	RIVET, 1/8 DIA, FLUSH BREAK S/S
36	4	14674	NUT, HEX 6-32 ZINC PLATED
35	1	53274	CLIP, MAGNET CATCH, S/S
34	2	03100	CATCH, MAGNETIC
33	4	19208	SCREW, HD, HEAD 6-32 X 1 ZINC PLTD
32	2	19552	SPACER
31	2	19555	SPACER
30	1	528811	HINGE, UPPER LEFT HINGE
29	4	14688	NUT, HEX JAM 3/4-10 ZINC PLTD
28	1	1020882	HINGE, LOWER LEFT HINGE
27	1	528821	HINGE, UPPER RIGHT HINGE
26	1	1020883	HINGE, LOWER RIGHT HINGE
25	1	105243	CONNECTOR, GREENFIELD 3/8 STRAIGHT
24	1	100304	WATER FEED ASSY, REV BEND GEN, 3/8"
23	4	19292	SCREW, ROUND HEAD, SLTD, 1/4-20 X 1" LG
22	10	19286	SCREW, HEX HEAD, 1/4-20 X 3/4
21	25	23116	WASHER, FLAT 1/4 X 5/8 X .085
20	11	23105	WASHER, LOCK 1/4 KATLINK STYLE
19	19	14618	NUT, HEX 1/4-20 S/S
18	4	08159	LEG, BULLET 6"
17	1	427601	DRAIN ASS'Y, MANIFOLD
16	1	44186	BOX, ELECTRIC, STEAM COIL W/COMPONENTS
15	1	02388	COVER, HANDI-BOX
14	1	02381	BOX, HANDI-BOX, ELECTRICAL
13	1	105244	CONNECTOR, GREENFIELD, 3/8" X 45°
12	2	101893	BRACKET, GENERATOR, MNTD LG STM COIL
11	1	101880	BLOWDOWN ASSM, AUTO, PCL STEAM COIL
10	1	101703	PIPING, STEAM OUTLET...PCL & STEAM COIL
9	1	030073	FITTING, COMP, TEE, 3/8" BRASS
8	1	101723	INLET, STEAM ASSM, PCL STEAM COIL
7	1	18802	PLUG, SO. HD, CORED, 1/2" PIPE, BLK
6	1	101112	BOX, PROBE COVER, LARGE STEAM COIL
5	1	105245	CONNECTOR, GREENFIELD, 3/8" X 90°
4	1	101724	PIPING ASSM, STEAM OUTLET, PCL
3	1	22131	VALVE, SAFETY, 3/4" 16 PSI, BRONZE
2	1	101927MP	GENERATOR ASSM, LG STM COIL, W/REF PARTS
1	-	1018921	BASE, WELDMENT, 900MM, A C S
1	-	101892	BASE WELDMENT, 900MM, S/S

ITEM	QTY	PART NO.	DESCRIPTION
TOLERANCES (EXCEPT AS NOTED)			
CLEVELAND RANGE INC. 1333 East 178th St., Cleveland, Ohio 44110-2074			
DECIMAL & N/A	SCALE 1/8"=1	DRAWN BY E. GRIVEAS	APPROVED BY
ANGULAR & N/A	TITLE	BASE ASSEMBLY, LARGE STEAM COIL GENERATOR 900 MM, PCL	
CK	DATE 12-06-93	DRAWING NO. C - FJE0001	REV. A

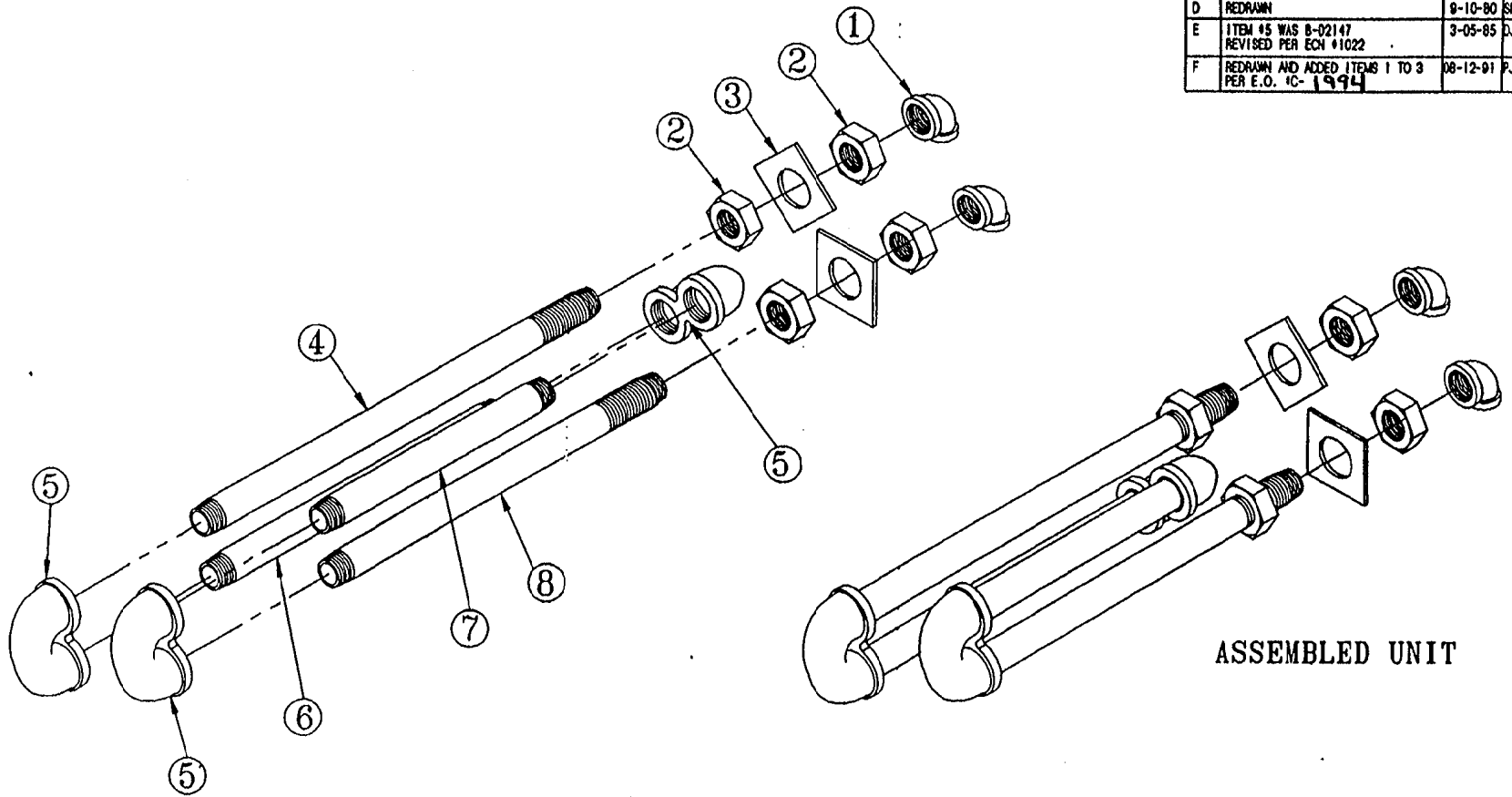


THIS DESIGN DESCRIBES A PROPRIETARY ITEM AND IS THE PROPERTY OF CLEVELAND RANGE. THIS DRAWING IS TO BE COPIED OR USED WITHOUT THE APPROVAL OF CLEVELAND RANGE.

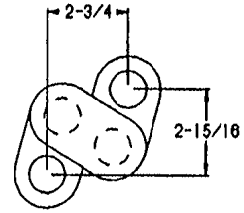
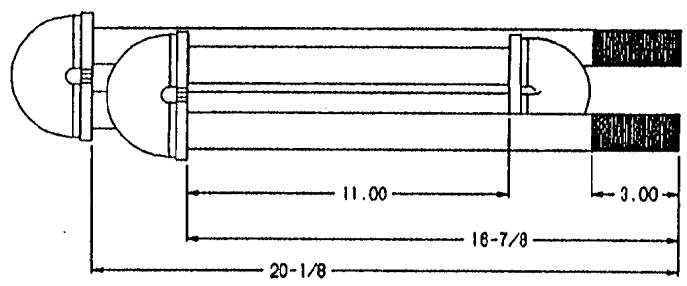
8	A/R	00934	SEALANT, RECTORSEAL
7	2	16671	PROBE, WARRICK, 4-5/16" LG.
6	1	101913	EXTENSION, PROBE, HIGH WATER, PCL
5	1	101912	EXTENSION, PROBE, LOW WATER, PCL
4	1	18601	PLUG, SQUARE HEAD, 3/8" PIPE BLACK
3	1	101900	GAUGE, WATER, 5/8" X 4.625", GLASS
2	1	07176	GAUGE FITTINGS, WATER, 1/2"
1	1	101927	GENERATOR ASN, 2 PROBE, LG ST COIL
ITEM	QTY.	PART NO.	DESCRIPTION

TOLERANCES (UNLESS AS NOTED)			
CLEVELAND RANGE INC. 1333 East 179th St. Cleveland, Ohio 44110-2574			
DECIMAL ± N/A	SCALE 3/8=1	DRAWN BY E. GRIVEAS	APPROVED BY
ANGULAR ± N/A	TITLE GENERATOR ASSEMBLY, LARGE STEAM COIL W/ REFERENCE PARTS		
CK	DATE 11-23-93	DRAWING NO. C - 101	REV. WP

LET.	REVISIONS	DATE	BY
D	REDRAWN	9-10-80	SPS
E	ITEM #5 WAS 8-02147 REVISED PER E.O. #1022	3-05-85	DJP
F	REDRAWN AND ADDED ITEMS 1 TO 3 PER E.O. 1C-1994	08-12-91	PJD



ASSEMBLED UNIT

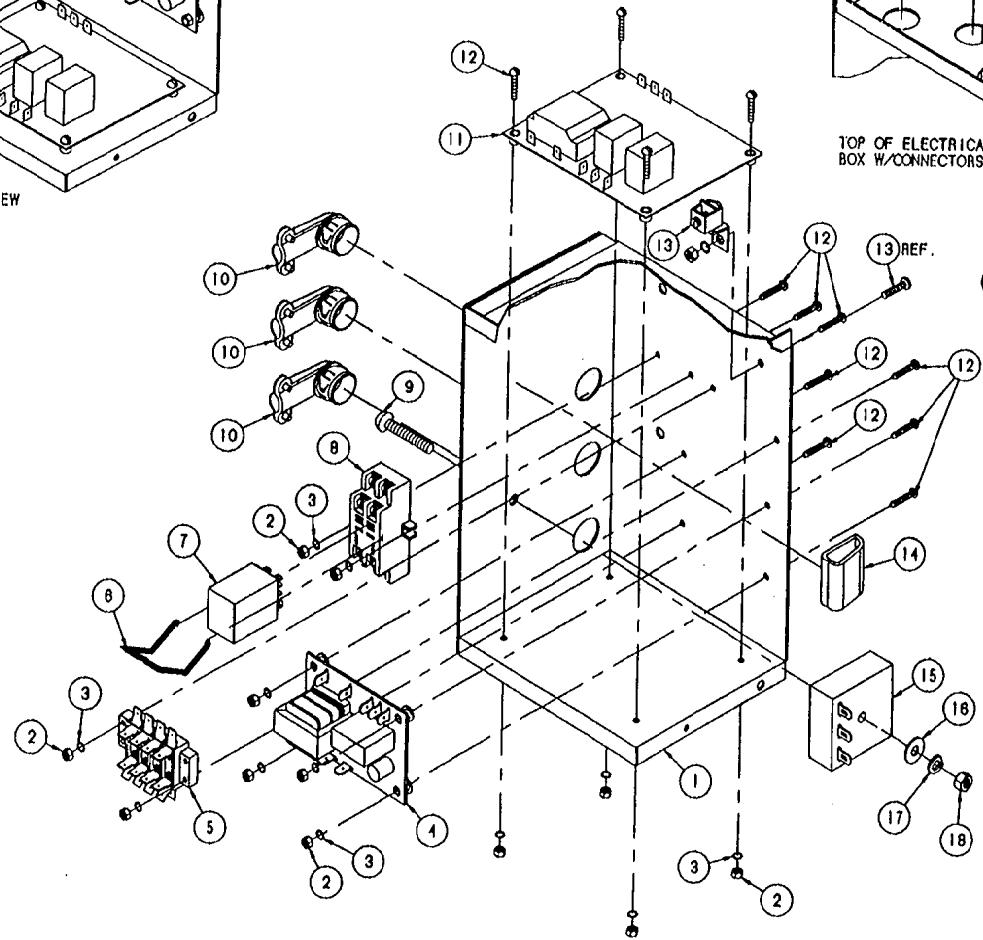
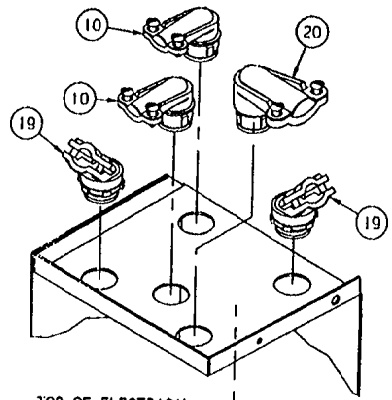
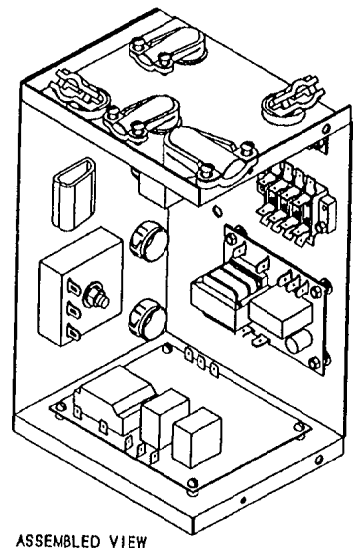


ITEM	QTY.	PART NO.	DESCRIPTION
8	1	18475	PIPE, 1-1/4 X 17.375", BRASS
7	1	18478	PIPE, 1-1/4 X 12.00", BRASS
6	1	18474	PIPE, 1-1/4 X 15.250", BRASS
5	3	02150	FITTING, RETURN BEND 1-1/4 NPT. UED. PTH. 180°
4	1	18473	PIPE, 1-1/4 X 20.825", BRASS
3	2	23135	WASHER, FLAT, 8 GA, 3" X 3" 8/8
2	4	14812	NUT, LOCK; LGT. PTH., 1-1/4 PIPE, BRASS
1	2	05270	ELBOW, 90° 1-1/4 X 3/4, BLACK

THIS DESIGN DESCRIBES A PROPRIETARY ITEM AND IS THE PROPERTY OF CLEVELAND RANGE. THIS DRAWING IS NOT TO BE COPIED OR USED WITHOUT THE APPROVAL OF CLEVELAND RANGE.

TOLERANCES EXCEPT AS SHOWN		CLEVELAND RANGE INC.	
DECIMAL	± N/A	SCALE	N/A
MILLIM	± N/A	DRAWN BY	A. B. K.
OK	DATE 06-04-81	APPROVED BY	-
	DRAWING NO.	TITLE	
	C-40401	HEAT EXCHANGER ASSEMBLY, STEAM COIL, SMALL GENERATOR	
	REV.		F

NOTES:
 1) REFER TO DWG. FJE0003 FOR CAL CODE
 W/INTERMITTENT BLOWDOWN FOR LARGE
 STEAM COIL GENERATOR.



ITEM	QTY.	PART NO.	DESCRIPTION
20	1	105247	CONNECTOR, GREENFIELD, 1/2" X 90°
19	2	105244	CONNECTOR, GREENFIELD, 3/8" X 45°
18	1	14518	NUT, HEX, 1/4-20, S/S, FULL FINISHED
17	1	23105	WASHER, LOCK, MED PAT, 1/4" KATLINK STYLE, S/S
16	1	23116	WASHER, FLAT, 1/4: 10 X 5/16 OD X .065 THK
15	1	20478	TIMER, SOLID STATE INTERVAL 3 MINUTE
14	2	23432	CLIP, MOUNTING, WIRE/CALE, 1.25 X 1.50
13	1	12330	LUG, SOLDERLESS GROUND FOR 10-14 GA. WIRE
12	12	19183	SCREW, ROUND HEAD SLOTTED, 6-32 X .75 ZINC PLTD
11	1	23198	CONTROL, WATER LEVEL
10	5	105245	CONNECTOR, GREENFIELD, 3/8" X 90°
9	1	19265	SCREW, ROUND HEAD, 1/4-20 X 1-1/2, S/S
8	1	03525	SOCKET, RELAY
7	1	03524	RELAY, 120V, 50/60 HZ, AC, DPDT
6	1	105044	CLIP, WIRE, RELAY, (03524 - 03525)
5	1	44104	TERMINAL BLOCK ASM. - 4 POLE GAS UNITS
4	1	03528	BOARD CONTROL, CUT-OFF LOW WATER
3	12	23111	WASHER, LOCK, INTERNAL TOOTH, #8, ZINC PLTD
2	12	14674	NUT, HEX, 6-32, ZINC PLTD
1	1	409391	BOX, WELDMENT, ELECT, CAL CODE LG STM COIL GEN

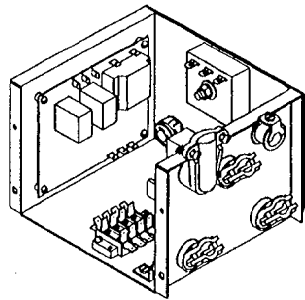
TOLERANCES (EXCEPT AS NOTED)			
CLEVELAND RANGE INC. 1333 East 170th St. Cleveland, Ohio 44110-2574			
DECIMAL ± N/A	SCALE 1/2"=1"	DRAWN BY E. GRIVEAS	APPROVED BY
ANGULAR ± N/A	TITLE BOX, ELECTRIC, STEAM COIL CAL. CODE, LARGE STEAM COIL		
CK	DATE 02-28-94	DRAWING NO. C - FJE0002	REV. -

THIS DESIGN DESCRIBES A PROPRIETARY ITEM
 AND IS THE PROPERTY OF CLEVELAND RANGE.
 THIS DRAWING IS NOT TO BE COPIED OR USED
 WITHOUT THE APPROVAL OF CLEVELAND RANGE.

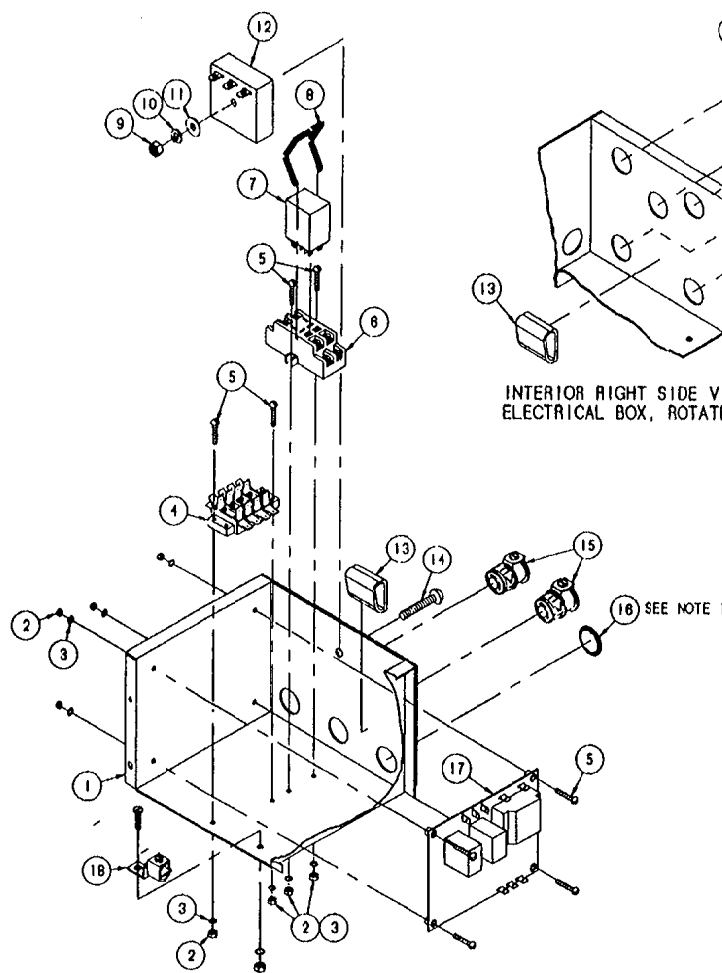
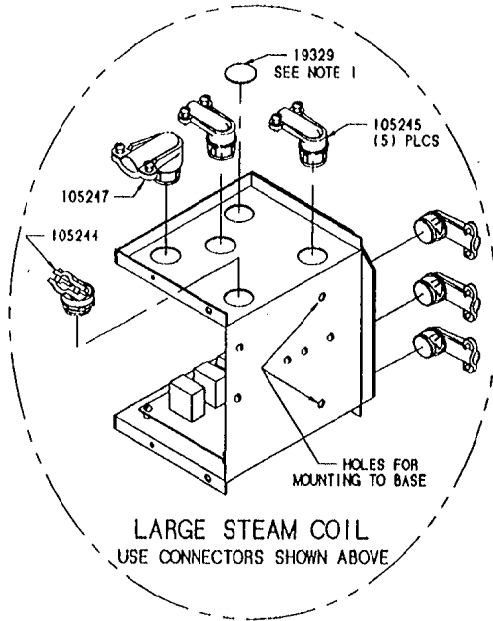
OPTION FOR NEXT ASS'Y: FJE0001

NOTES:

1. REMOVE P/N 19329 WHEN CAL. CODE / LWCO IS USED (SEE B.O.M. FOR APPROPRIATE CONNECTOR). FOR CAL. CODE ELECTRIC BOX ASS'Y ON LARGE STEAM COIL GENERATOR REFER TO DWG. FJEO002.
2. REFER TO DWG. 441681 FOR ELECTRIC BOX W/INTERMITTENT BLOWDOWN.



ASSEMBLED VIEW

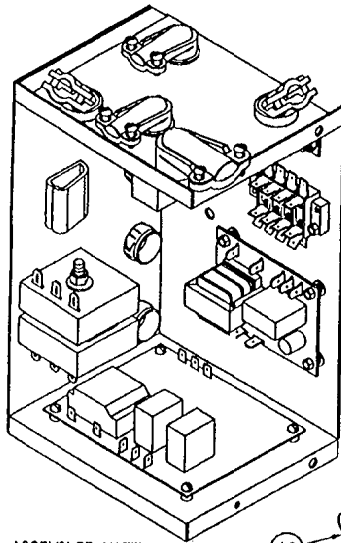


ITEM	QTY.	PART NO.	DESCRIPTION
20	1	105247	CONNECTOR, GREENFIELD, 1/2" X 90°
19	3	105244	CONNECTOR, GREENFIELD, 3/8" X 45°
18	1	12930	PLUG, SOLDERLESS GROUND FOR 10-14 GA. WIRE
17	1	23198	CONTROL, WATER LEVEL
16	1	19329	PLUG, SWAP-IN, 1/2" FOR 7/8" HOLE
15	3	105243	CONNECTOR, GREENFIELD, 3/8" STRAIGHT
14	1	19285	SCREW, ROUND HEAD, 1/4-20 X 1-1/2, S/S
13	2	23492	CLIP, MOUNTING, WIRE/CABLE, 1.25 X 1.50
12	1	20478	TIMER, SOLID STATE INTERVAL 3 MINUTE
11	1	23110	WASHER, FLAT, 1/4" ID X 5/8" OD X .065 THK
10	1	23105	WASHER, LOCK, MED PAT, 1/4" KATLINK STYLE, S/S
9	1	14818	NUT, HEX, 1/4-20, S/S, FULL FINISHED
8	1	105044	CLIP, WIRE, RELAY, 103524 - 035251
7	1	03524	RELAY, 120V, 50/60 HZ, AC, DPDT
6	1	03525	SOCKET, RELAY
5	8	19183	SCREW, ROUND HEAD SLOTTED, 8-32 X .75 ZINC PLTD
4	1	44184	TERMINAL BLOCK ASM. - 4 POLE GAS UNITS
3	8	23111	WASHER, LOCK, INTERNAL TOOTH, #8, ZINC PLTD
2	8	14874	NUT, HEX, 8-32, ZINC PLTD
1	1	40939	BOX, WELDMENT, ELECTRIC, STEAM COIL GENERATOR

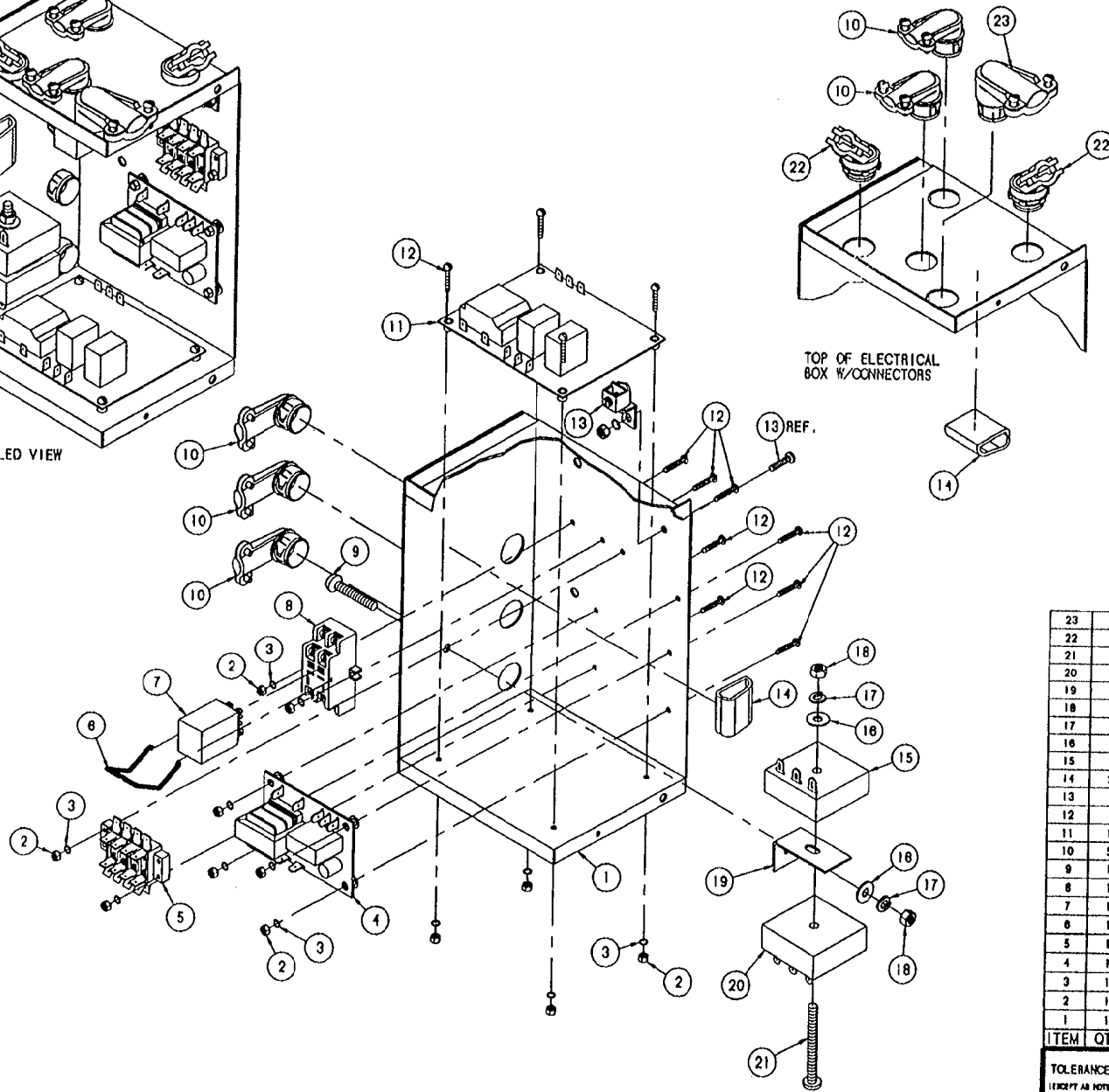
TOLERANCES (UNLESS AS NOTED)			
DECIMAL	SCALE	DRAWN BY	APPROVED BY
± N/A	3/8=1	E. GRIVEAS	
ANGULAR	TITLE	BOX, ELECTRIC, ASSEMBLY STEAM COIL	
± N/A			
CK	DATE	DRAWING NO.	REV.
	10-20-93	C - 44166	-

NEXT ASSY: DHD0011
DHE0012
DHF0013
FJEO031

THIS DESIGN DESCRIBES A PROPRIETARY ITEM AND IS THE PROPERTY OF CLEVELAND RANGE. THIS DRAWING IS NOT TO BE COPIED OR USED WITHOUT THE APPROVAL OF CLEVELAND RANGE.



ASSEMBLED VIEW



TOP OF ELECTRICAL BOX W/CONNECTORS

ITEM	QTY.	PART NO.	DESCRIPTION
23	1	105217	CONNECTOR, GREENFIELD, 1/2" X 90°
22	2	105214	CONNECTOR, GREENFIELD, 3/8" X 45°
21	1	106118	SOLT, 1/4-20 X 2-1/2" ZINC PLTD, INTRMT. TIMER
20	1	104716	TIMER, REC/CLNS, GENERATOR W/BLOWDOWN
19	1	105955	BRACKET, CTRL MOUNT
18	1	14618	NUT, HEX, 1/4-20, S/S, FULL FINISHED
17	1	23105	WASHER, LOCK, MED PAT, 1/4" KATLINK STYLE, S/S
16	1	23116	WASHER, FLAT, 1/4: 10 X 3/8" OD X .065 THK
15	1	20476	TIMER, SOLID STATE INTERVAL 3 MINUTE
14	2	23432	CLIP, MOUNTING, WIRE/CABLE, 1.25 X 1.50
13	1	12330	LUG, SOLDERLESS GROUND FOR 10-14 GA. WIRE
12	12	19163	SCREW, ROUND HEAD SLOTTED, 8-32 X .75 ZINC PLTD
11	1	23198	CONTROL, WATER LEVEL
10	3	105245	CONNECTOR, GREENFIELD, 3/8" X 90°
9	1	19265	SCREW, ROUND HEAD, 1/4-20 X 1-1/2, S/S
8	1	03525	SOCKET, RELAY
7	1	03524	RELAY, 120V, 50/60 HZ, AC, DPDT
6	1	105044	CLIP, WIRE, RELAY, (03524 - 03525)
5	1	44184	TERMINAL BLOCK ASM, - 4 POLE GAS UNITS
4	1	03526	BOARD CONTROL, CUT-OFF LOW WATER
3	12	23111	WASHER, LOCK, INTERNAL TOOTH, #8, ZINC PLTD
2	12	14674	NUT, HEX, 8-32, ZINC PLTD
1	1	409391	BOX, WELDMENT, ELECT, CAL CODE LG STM COIL GEN

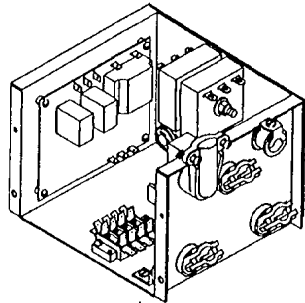
THIS DESIGN DESCRIBES THE PROPER AND IS THE PROPERTY OF CLEVELAND RANGE. THIS DRAWING IS NOT TO BE COPIED OR USED WITHOUT THE APPROVAL OF CLEVELAND RANGE.

PROPRIETARY ITEM
LEVELAND RANGE.
BE COPIED OR USED
WITHOUT THE APPROVAL OF CLEVELAND RANGE.

OPTION FOR NEXT ASSY: FJL0001

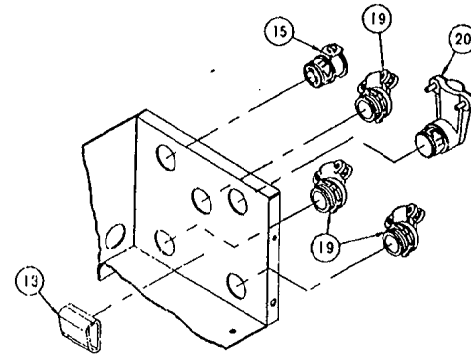
TOLERANCES (EXCEPT AS NOTED)			
DECIMAL	SCALE	DRAWN BY	
± N/A	1/2=1	E. GRIVEAS	
ANGULAR	APPROVED BY		
± N/A	TITLE		
BOX, ELECTRIC, ASSEMBLY			
CAL. CODE W/INTER. BLOWDOWN, LAR. .AM COIL			
DATE	DRAWING NO.	REV.	

CLEVELAND RANGE INC.
1333 East 179th St. Cleveland, Ohio 44110-2574

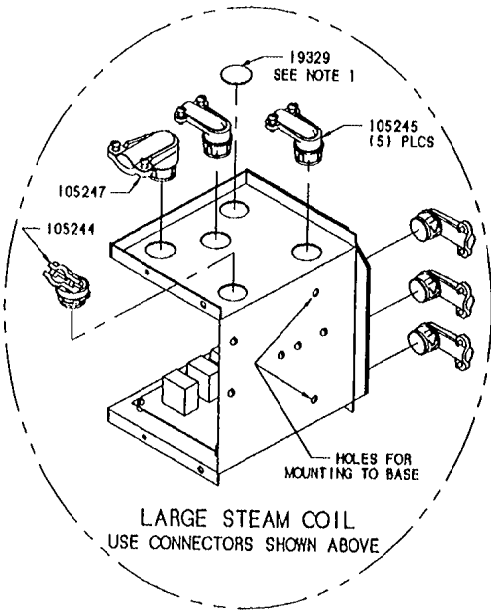


ASSEMBLED VIEW

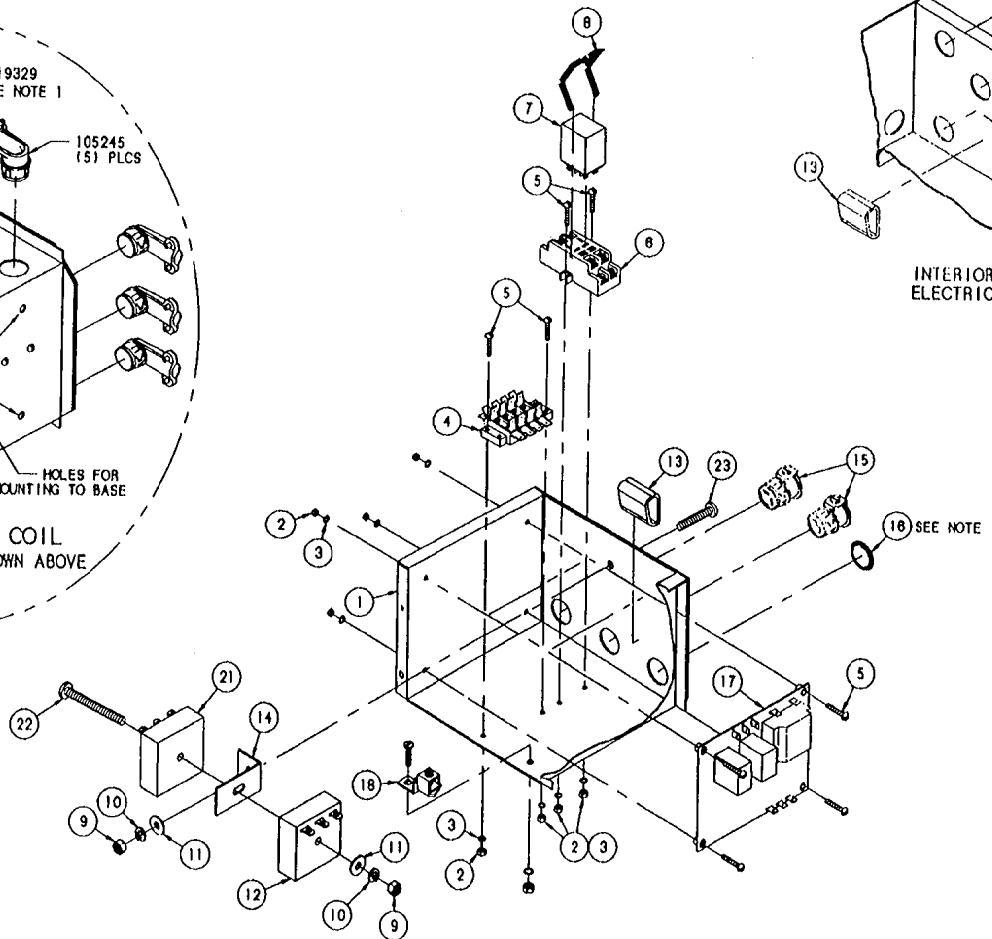
NOTES:
 1. REMOVE P/N 19329 WHEN CAL. CODE / LWCO IS USED (SEE B.O.M. FOR APPROPRIATE CONNECTOR). FOR CAL. CODE ELECTRIC BOX ASS'Y ON LARGE STEAM COIL GENERATOR REFER TO DWG. FJE0002.



INTERIOR RIGHT SIDE VIEW OF ELECTRICAL BOX, ROTATED 90°



LARGE STEAM COIL
 USE CONNECTORS SHOWN ABOVE



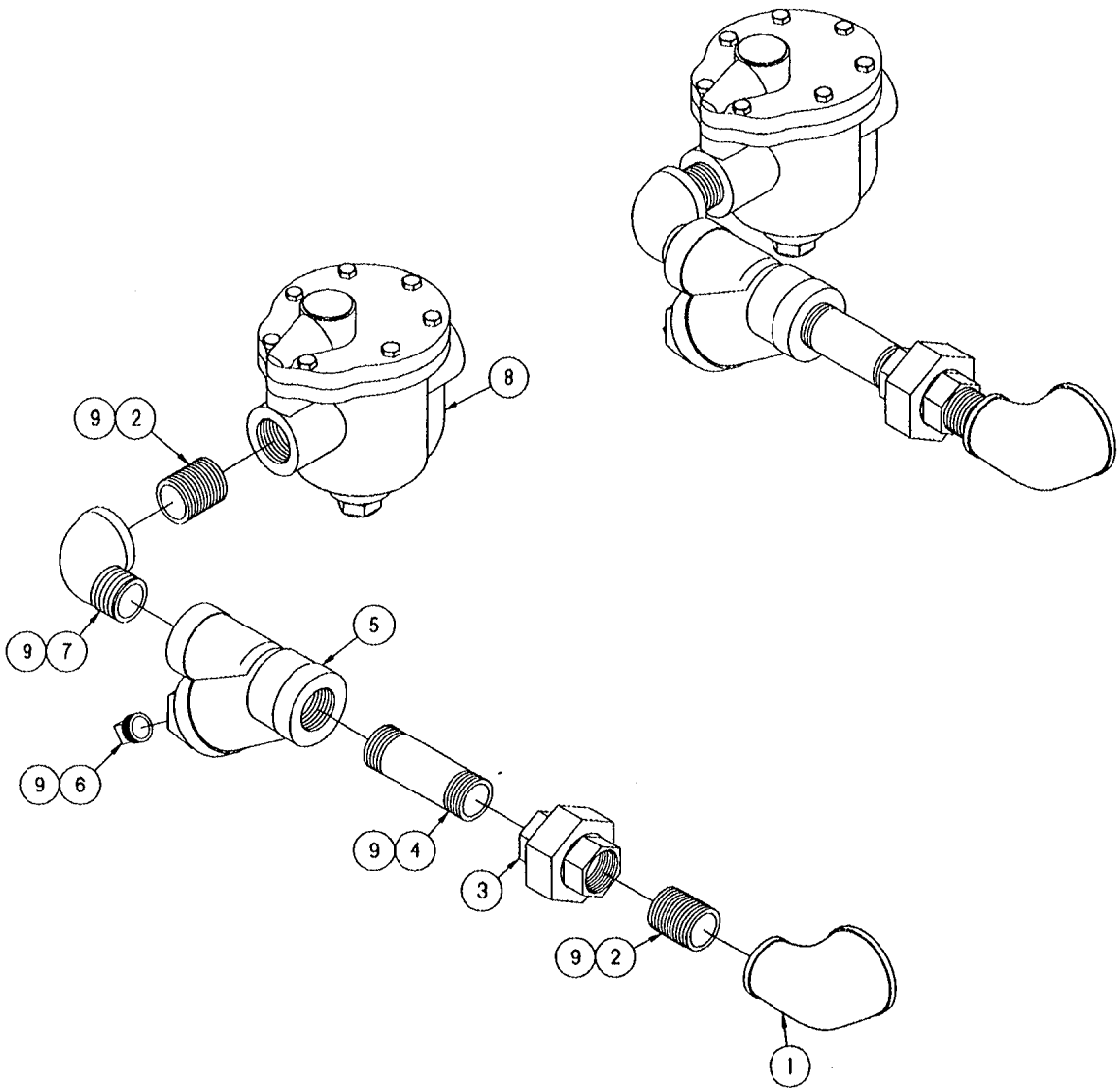
ITEM	QTY.	PART NO.	DESCRIPTION
23	1	19285	SCREW, ROUND HEAD, 1/4-20 X 1-1/2, S/S
22	1	100118	BOLT, 1/4-20 X 2-1/2" ZINC PLTD, INTFRM. TIMER
21	1	104718	TIMER, RECYCLING, GENERATOR W/BLOWDOWN
20	1	105247	CONNECTOR, GREENFIELD, 1/2" X 90°
19	3	105244	CONNECTOR, GREENFIELD, 3/8" X 45°
18	1	12330	LUG, SOLDERLESS GROUND FOR 10-14 GA. WIRE
17	1	23198	CONTROL, WATER LEVEL
16	1	19329	PLUG, SNAP-IN, 1/2" FOR 7/8" HOLE
15	3	105243	CONNECTOR, GREENFIELD, 3/8" STRAIGHT
14	1	105935	BRACKET, CTRL MOUNT
13	2	23432	CLIP, MOUNTING, WIRE/CABLE, 1.25 X 1.50
12	1	20478	TIMER, SOLID STATE INTERVAL 3 MINUTE
11	2	23118	WASHER, FLAT, 1/4: 10 X 5/8" OD X .095 THK
10	2	23105	WASHER, LOCK, MED PAT, 1/4" KATLINK STYLE, S/S
9	2	14818	NUT, HEX, 1/4-20, S/S, FULL FINISHED
8	1	105044	CLIP, WIRE, RELAY, 103524 - 03525
7	1	03524	RELAY, 120V, 50/60 HZ, AC, DPDT
6	1	03525	SOCKET, RELAY
5	8	19183	SCREW, ROUND HEAD SLOTTED, 8-32 X .75 ZINC PLTD
4	1	44184	TERMINAL BLOCK ASM. - 4 POLE GAS UNITS
3	8	23111	WASHER, LOCK, INTERNAL TOOTH, 1/8, ZINC PLTD
2	8	14874	NUT, HEX, 8-32, ZINC PLTD
1	1	40939	BOX, WELDMENT, ELECTRIC, STEAM COIL GENERATOR

THIS DESIGN DESCRIBES A PROPRIETARY ITEM AND IS THE PROPERTY OF CLEVELAND RANGE. THIS DRAWING IS NOT TO BE COPIED OR USED WITHOUT THE APPROVAL OF CLEVELAND RANGE.

NEXT ASSY: DHD0011
 DHE0012
 D.P. 0013
 FJE0001

TOLERANCES (UNLESS AS NOTED)			CLEVELAND RANGE INC. 1333 East 179th St. Cleveland, Ohio 44110-2574	
DECIMAL ± N/A	SCALE 3/8=1	DRAWN BY E. GRIVEAS	APPROVED BY	
ANGULAR ± N/A	TITLE BOX, ELECTRIC, STEAM COIL W/INTERMITTENT BLOWDOWN			
CK	DATE 11-18-93	DRAWING NO. C - 441661	REV.	

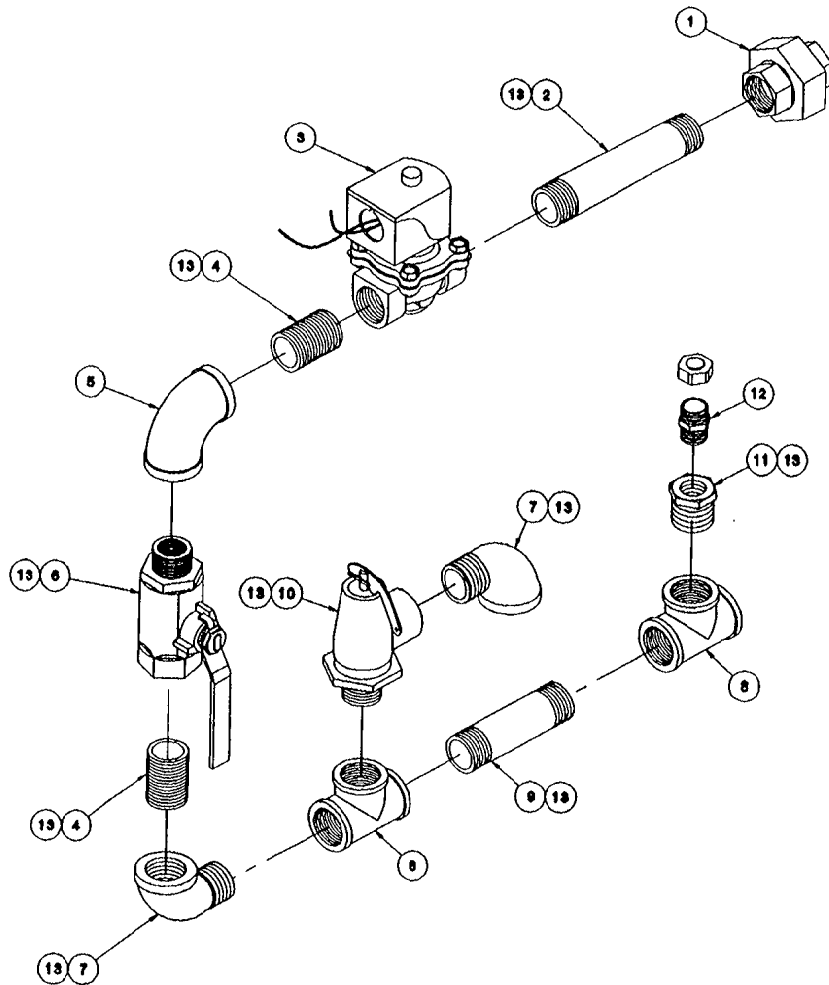
LET.	REVISIONS	DATE	BY
A	REMOVED 14359 ADDED 14343 REARRANGED ASSEMBLY	5-19-92	SM



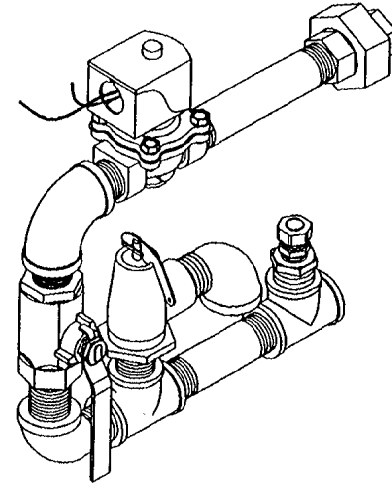
ITEM	QTY.	PART NO.	DESCRIPTION
9	A/R	00934	SEALANT, RECTORSEAL
8	1	20555	TRAP, BUCKET, 60#, 3/4, 80#
7	1	05259	ELBOW, STREET, 90°, 3/4, BLACK
6	1	16602	PLUG, SQ HD, 1/2", CORED
5	1	19872	STRAINER, "Y", 3/4
4	1	14347	NIPPLE, 3/4 x 3", BLACK
3	1	21305	UNION, 3/4, BLACK
2	2	14343	NIPPLE, 3/4 x CLOSE, BLACK
1	1	05270	ELBOW, 90°, 1-1/4 x 3/4, BLACK

TOLERANCES (EXCEPT AS NOTED)		CLEVELAND RANGE INC. 1333 East 179th St. Cleveland, Ohio 44110-2574	
DECIMAL ± N/A	SCALE 3/8=1	DRAWN BY S. MILEWSKI	APPROVED BY
ANGULAR ± N/A	TITLE PIPING ASSEMBLY RETURN STEAM MANIFOLD LARGE STEAM COIL GENERATOR		
CK	DATE 05-13-92	DRAWING NO. B - 01703	REV. A

THIS DESIGN DESCRIBES A PROPRIETARY ITEM AND IS THE PROPERTY OF CLEVELAND RANGE. THIS DRAWING IS NOT TO BE COPIED OR USED WITHOUT THE APPROVAL OF CLEVELAND RANGE.



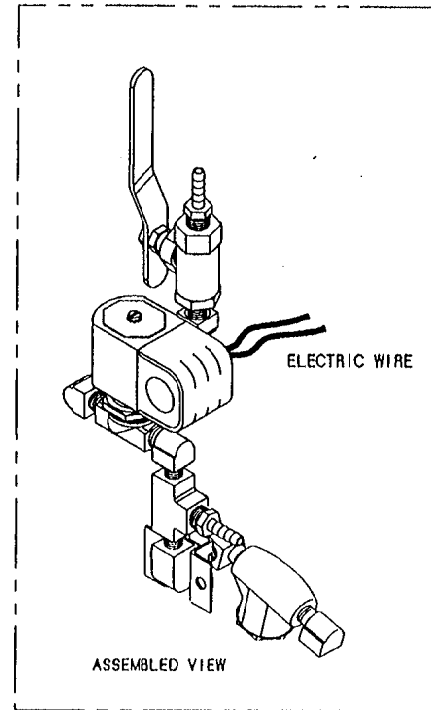
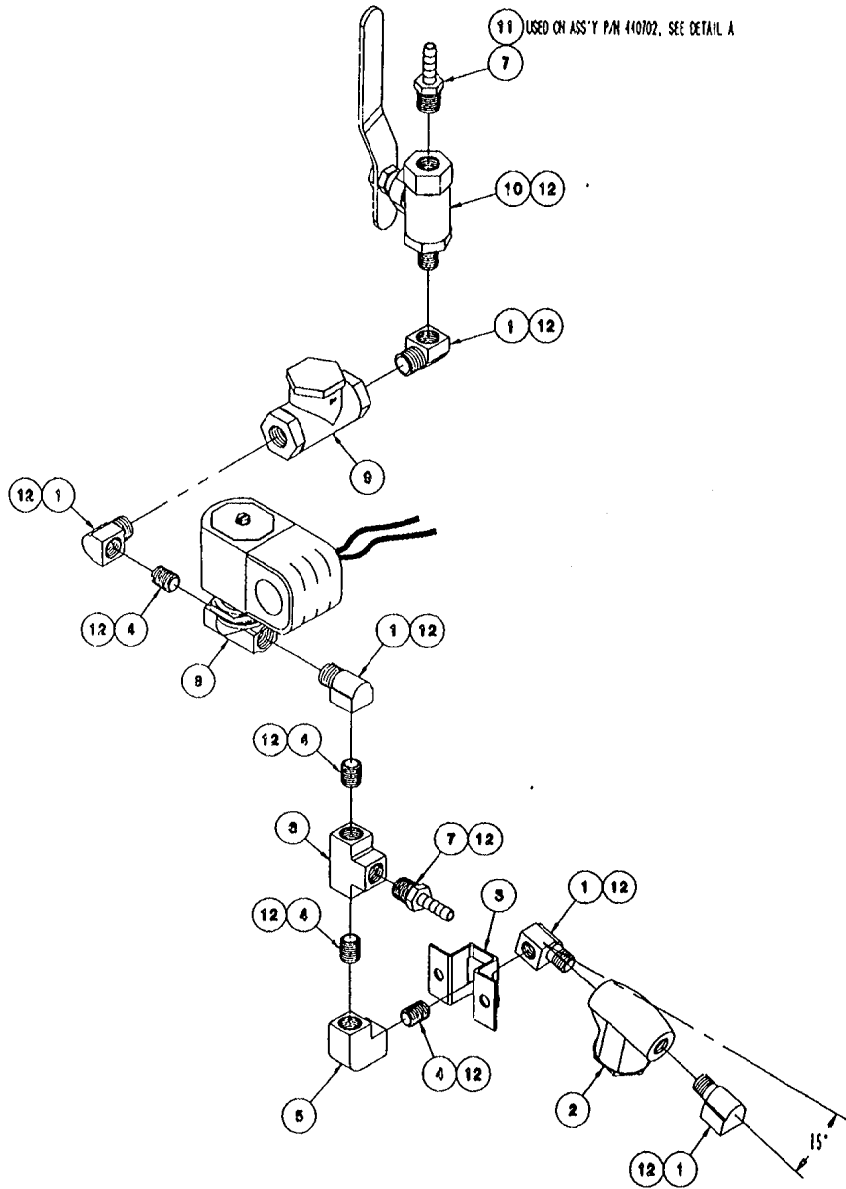
LET	REVISIONS	DATE	BY
C	P/N 14354 WAS 14356, P/N 14349 WAS 14351. P/N 02584 WAS 02583. P/N 08199 WAS 08218. P/N 03382 WAS ADDED - REDRAWN ON COMPUTER SEE E.O. #C-1789	09-20-90	GS
D	P/N 05259 WAS QTY. OF 1 P/N 00934 WAS ADDED P/N 03382 WAS OMITTED DWG. REDRAWN IN 3D CADKEY SEE E.O. #C-2106	01-29-92	PJD
E	P/N 03277 VALVE ROTATED 90°	11-16-93	PJD



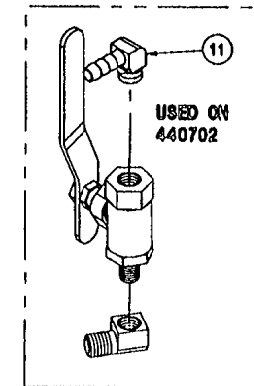
13	A/R	00934	SEALANT, RECTORSEAL
12	1	06199	FITTING, COMP, 3/8 x 3/8, STR
11	1	02584	BUSHING, HEX, 3/4 x 3/8, BLK
10	1	100075	VALVE, SAFETY RELIEF, 50 PSI
9	1	14349	NIPPLE, 3/4 X 3.500, BLACK
8	2	20205	TEE, 3/4, BLACK
7	2	05259	ELBOW, STREET, 90° X 3/4, BLK.
6	1	03277	VALVE, BALL, 3/4, BRASS
5	1	05258	ELBOW, 90°, 3/4, BLACK
4	2	14343	NIPPLE, 3/4 X CLOSE, BLACK
3	1	22193	VALVE, SOLINOID, 3/4, 50 PSI
2	1	14354	NIPPLE, BLACK 3/4" X 5.00"
1	1	21305	UNION, BLACK, 3/4"
NO.	QTY.	PART NO.	DESCRIPTION
TOLERANCES (UNLESS OTHERWISE SPECIFIED)			
CLEVELAND RANGE INC. 1333 East 179th St., Cleveland, Ohio 44110-2574			
DECIMAL ± N/A	SCALE 1/2"=1	DRAWN BY DUTCHMAN	APPROVED BY
ANGULAR ± N/A	TITLE STEAM SUPPLY VALVE STEAM COIL PIPING ASSY.		
CK	DATE 01-29-92	DRAWING NO. C - 42809	REV. E

THIS DESIGN DESCRIBES A PROPRIETARY ITEM AND IS THE PROPERTY OF CLEVELAND RANGE. THIS DRAWING IS NOT TO BE COPIED OR USED WITHOUT THE APPROVAL OF CLEVELAND RANGE.

NOTE: 1. MOUNT P/N 100084 TO LOWER RIGHT FRONT CUSSET (BASE FRAME).



LET.	REVISIONS	DATE	BY
A	REDRAWN - WAS COMBINED w/ 44070 & 440702. CHANGED ASSY ANGLE ORIENTATIONS.	1-21-92	SM
B	NEW VALVE HOUSING ON P/N 22223 (PICTORIAL ONLY) PER E.O. IC-2221 R1.	02-04-93	PJD
C	P/N 22223 REVISED PICTORIALLY P/N'S 18819 & 08218 OMITTED ADDED P/N 104381, AND ADDED ASSY 440702 PER E.O. IC-2448	08-18-93	EAG

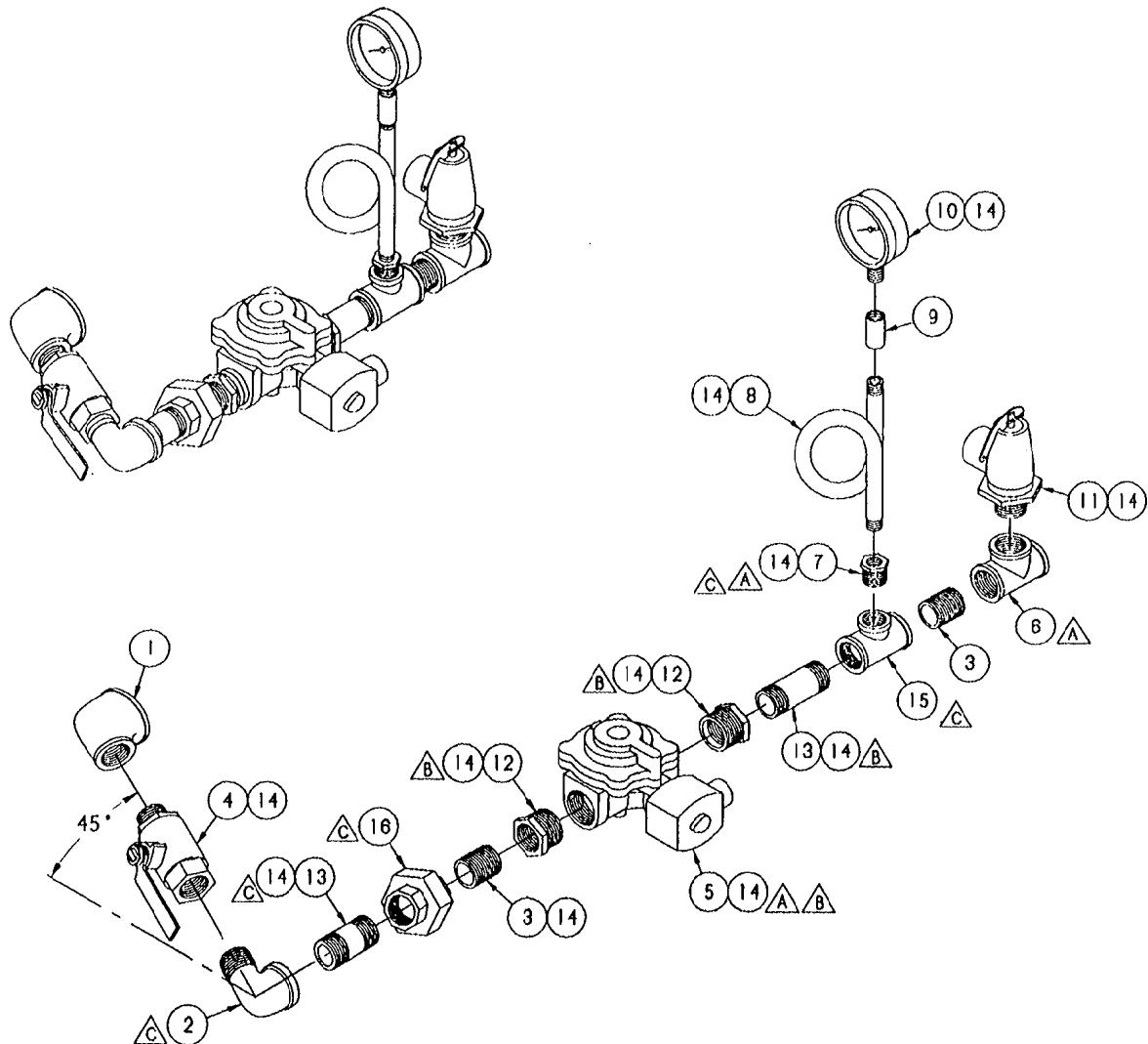


A/R	A/R	12	PART NO.	DESCRIPTION
			00934	SEALANT, RECTORSEAL
			105788	FITTING, HOSEBARB, 1/4H X 1/4MPT, 90°
			03278	VALVE, BALL, 1/4
			22102	VALVE, SWING CHECK, 1/4
			22223	VALVE, SOLENOID, 1/4 (GP200)
			104381	FITTING, HOSE, 1/4 H X 1/4 NPT
			20199	TEE, 1/4, BRASS
			05236	ELBOW, 1/4, 90°, BRASS
			14304	NIPPLE, 1/4 X CLOSE, BRASS
			100084	CLAMP, MOUNTING
			19870	STRAINER, "V", 1/4, BRASS
			05235	ELBOW, STREET, 1/4, 90°, BRASS
QTY.	QTY.	NO.	PART NO.	DESCRIPTION

SEE NOTE 1

THIS DESIGN DESCRIBE... RIETARY ITEM AND IS THE PROPERTY C... ELAND RANGE. THIS DRAWING IS NOT TO BE COPIED OR USED WITHOUT THE APPROVAL OF CLEVELAND RANGE

TOLERANCES (EXCEPT AS NOTED) DECIMAL ± 1/4 ANGULAR ± 1°				CLEVELAND RANGE INC. 1333 East 179th St. Cleveland, Ohio 44110-2574	
SCALE 1/2=1	DRAWN BY S. MILEWSKI	APPROVED BY			
TITLE PIPING ASSY., "V" STEAM COIL AND		FEED JRES			
DATE 01-21-92	DRAWING NO. C - 440701	440702	440702	REV	C



LET.	REVISIONS	DATE	BY
A	REMOVED 05259, 21305, 02557, 20209, 02570 REPLACED 101899 WITH 22193 ADDED 05263, 20205, 02582	5-19-92	SM
B	CHANGED 101899 FROM 22193 ADDED 02598, 14345	7-20-92	SM
C	ADDED 21305 & 20209; 02557 WAS 02562; 14344 WAS 14345; 05259 WAS 05263; 20205 WAS QTY 12)	12-2-93	EAG

△C	16	1	21305	UNION, PIPE, 3/4" BLK. NO WARWICKS
△C	15	1	20209	TEE, 3/4" X 3/4" x 1/2, BLACK
	14	A/R	00934	SEALANT, RECTORSEAL
△C	13	2	14344	NIPPLE, 3/4 x 2", BLACK
△B	12	2	02598	BUSHING, HEX, 1" x 3/4, BLACK
	11	1	100075	VALVE, BOILER SAFTEY, 50 PSI
	10	1	07169	GUJAGE, 0-100 PSI, 1/4 NPT
	9	1	03665	COUPLING, FULL, 1/4, S/S
	8	1	16820	PIPE, PIGTAIL, 1/4
△C	7	1	02557	BUSHING, 1/2 x 1/4, BLACK
△C	6	1	20205	TEE, 3/4, BLACK
△B	5	1	101899	VALVE, STEAM SOLENOID, 1" NPT
	4	1	03277	VALVE, BALL, 3/4, BRASS
	3	2	14343	NIPPLE, 3/4 x CLOSE, BLACK
△C	2	1	05259	ELBOW, STREET, 90°, 3/4, BLACK
	1	1	05270	ELBOW, 90°, 1-1/4 x 3/4, BLACK
	ITEM	QTY.	PART NO.	DESCRIPTION

TOLERANCES
(EXCEPT AS NOTED)

CLEVELAND RANGE INC.
1333 East 179th St. Cleveland, Ohio 44110-2574

DECIMAL
± N/A
ANGULAR
± N/A

SCALE
1/4=1

DRAWN BY
S. MILEWSKI

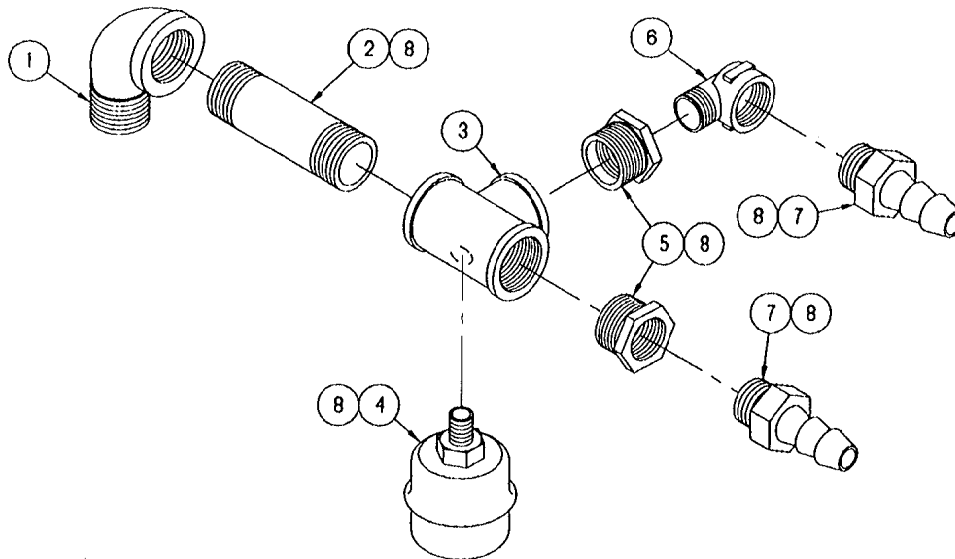
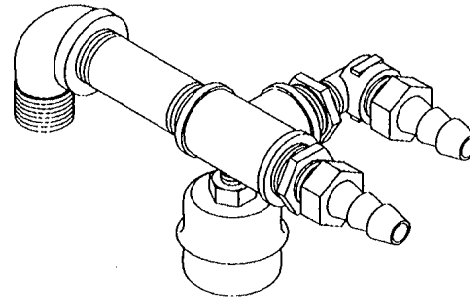
APPROVED BY

TITLE
PIPING ASSEMBLY - STEAM SUPPLY
LARGE STEAM COIL GENERATOR

CK DATE 05-13-92 DRAWING NO. B - 101723 REV. C

THIS DESIGN DESCRIBES A PROPRIETARY ITEM AND IS THE PROPERTY OF CLEVELAND RANGE. THIS DRAWING IS NOT TO BE COPIED OR USED WITHOUT THE APPROVAL OF CLEVELAND RANGE.

LET.	REVISIONS	DATE	BY
A	REPLACED 14494 WITH 14355 70413 WITH 03732 REMOVED 101708, 05231, 02570 QTY 2	5-19-92	SM
B	REMOVED P/N 03732 ADDED P/N 20208, 14342	7-17-92	SM
C	REMOVED 02563, 20208 & 14342; ADDED 70413, 101708; 14494 WAS 14355; 02570 WAS QTY (1)	12-03-93	EAG

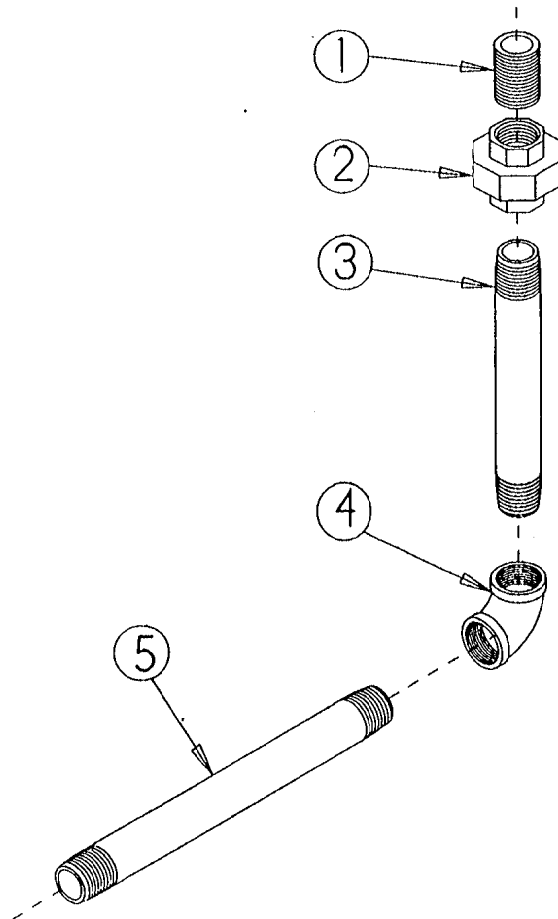


8	A/R	00934	SEALANT, RECTORSEAL
7	2	08240	FITTING, HOSE BARB, 3/4 H x 3/4
6	1	05231	ELBOW, STREET, 90°, 3/4, BRASS
5	2	02570	BUSHING, HEX, 1" X 3/4", BRASS
4	1	101207	TRAP, THERMOSTATIC, 1/4 NPT
3	1	70413	TEE, 1", BRASS - MODIFIED (PCL ST COIL)
2	1	14494	NIPPLE, 1 X 4, BRASS
1	1	101708	ELBOW, STREET, 90°, 1", BRASS
ITEM	QTY.	PART NO.	DESCRIPTION

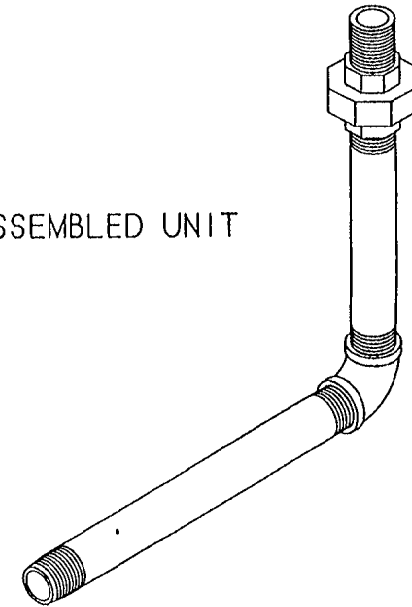
TOLERANCES (EXCEPT AS NOTED)		CLEVELAND RANGE INC. 1333 East 179th St. Cleveland, Ohio 44110-2574		
DECIMAL ± N/A	SCALE 3/8=1	DRAWN BY S. MILEWSKI	APPROVED BY	
ANGULAR ± N/A	TITLE PIPING ASSM, STEAM OUTLET PCL, STEAM COIL GENERATOR			
CK	DATE 05-13-92	DRAWING NO. B - 101724	REV. C	

THIS DESIGN DESCRIBES A PROPRIETARY ITEM AND IS THE PROPERTY OF CLEVELAND RANGE. THIS DRAWING IS NOT TO BE COPIED OR USED WITHOUT THE APPROVAL OF CLEVELAND RANGE.

LET	REVISIONS	DATE	BY
A	ITEM 3 WAS 14382 & 7.500 ITEM 5 WAS 14388 & 10.500 REDRAWN - E.O. #C-1994	08-08-91	PJD



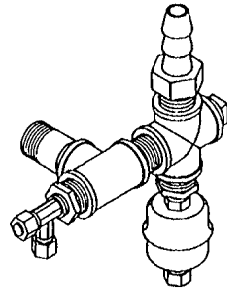
ASSEMBLED UNIT



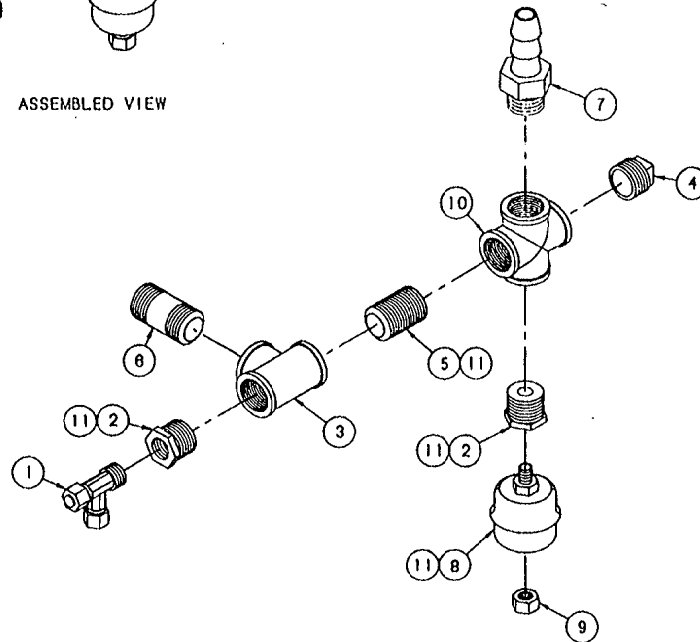
NO.	QTY.	PART NO.	DESCRIPTION
5	1	14388	NIPPLE, 3/4 NPT X 10.00 BLACK
4	1	05258	ELBOW, 3/4 X 90° BLACK
3	1	14380	NIPPLE, 3/4 NPT X 7.00 BLACK
2	1	21305	UNION, 3/4 NPT BLACK
1	1	14343	NIPPLE, CLOSE, 3/4 NPT BLACK

TOLERANCES <small>(EXCEPT AS NOTED)</small>			
CLEVELAND RANGE INC. 1333 East 179th St. Cleveland, Ohio 44110-2574			
DECIMAL ± N/A	SCALE 1/2"	DRAWN BY J.J.	APPROVED BY
ANGULAR ± N/A	TITLE PIPING ASS'Y. STEAM SUPPLY - STEAM COIL REVERSE BEND		
CK	DATE 10-31-84	DRAWING NO. C-42808	REV. A

THIS DESIGN DESCRIBES A PROPRIETARY ITEM AND IS THE PROPERTY OF CLEVELAND RANGE. THIS DRAWING IS NOT TO BE COPIED OR USED WITHOUT THE APPROVAL OF CLEVELAND RANGE.



ASSEMBLED VIEW



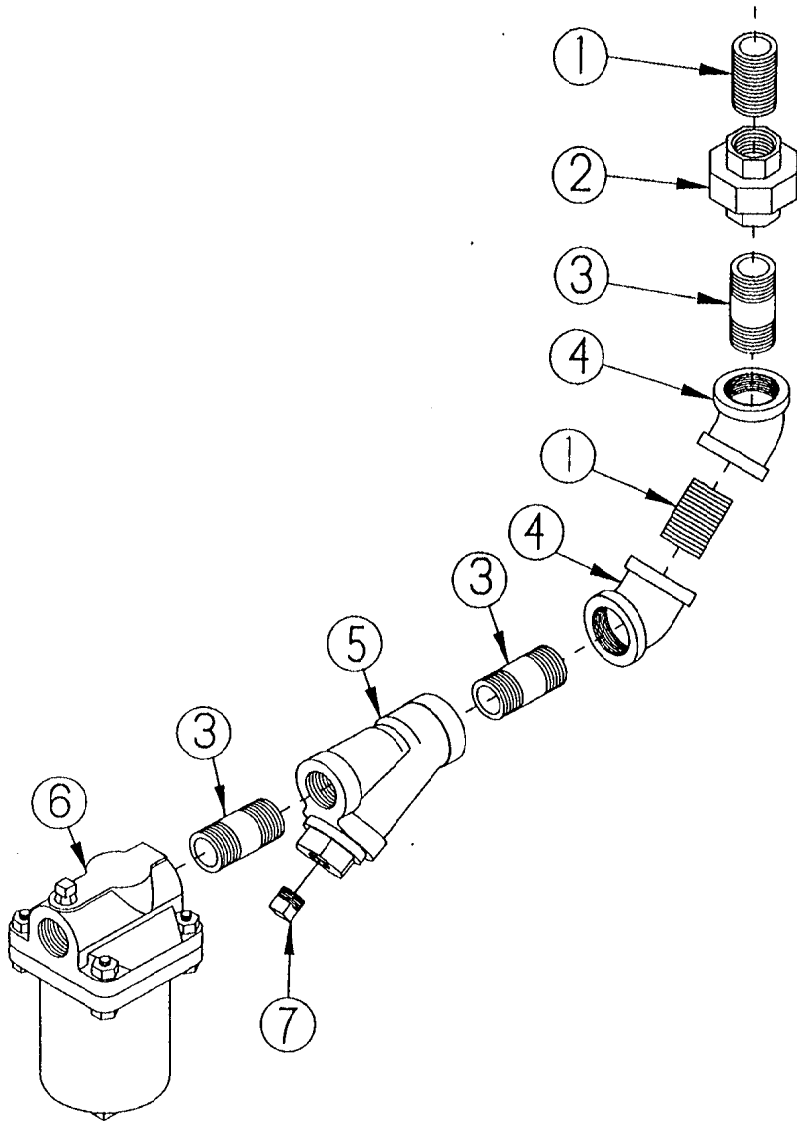
REF.	REVISIONS	DATE	BY
A	ITEM 4 WAS P/N 06206		
B	ITEM 1 & 2 CHANGED POSITION W/ ITEM 6		
C	ITEMS 1, 2 & 6 RETURNED TO ORIGINAL POSITION. E.O. - 1851	12-10-90	GS
D	REDRAWN ON CADKEY ONLY CHANGE	10-13-93	EG

ITEM	QTY.	PART NO.	DESCRIPTION
11	A/R	00934	SEALANT, RECTORSEAL
10	1	03732	CROSS, 4-WAY 3/4" BRASS
9	1	14661	NUT, COMPRESSION, 1/4" TUBE, BRASS
8	1	101207	TRAP, THERMOSTATIC, 1/4" X 1/4"
7	1	08240	FITTING, HOSE BARB, 3/4" HOSE X 3/4" MPT BRASS
6	1	14431	NIPPLE, 3/4 X 2, BRASS
5	1	14342	NIPPLE, 3/4 X CLOSE, BRASS
4	1	16607	PLUG, SQUARE HEAD, 3/4, BRASS
3	1	20206	TEE, 3/4 BRASS
2	2	02583	BUSHING, REDUCING, 3/4 X 1/4, BRASS
1	1	100883	FITTING, COMP., TEE 3/8T X 3/8MPT X 3/8T

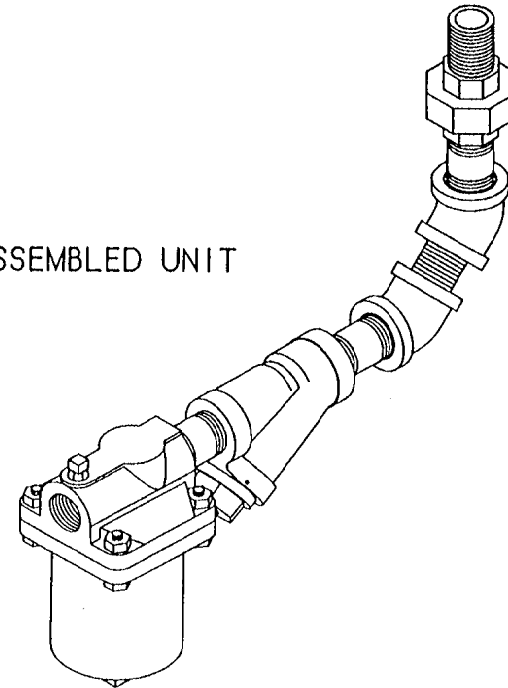
TOLERANCES <small>(UNLESS AS NOTED)</small>		CLEVELAND RANGE INC. 1333 East 179th St. Cleveland, Ohio 44110-2974	
DECIMAL ± N/A	SCALE 1/2"=1"	DRAWN BY GS	APPROVED BY
FRACTIONAL ± N/A	TITLE STEAM OUTLET ASSEMBLY 21CSM		
CK	DATE 12-3-90	DRAWING NO. C - 428123	

THIS DESIGN DESCRIBES A PROPRIETARY ITEM AND IS THE PROPERTY OF CLEVELAND RANGE. THIS DRAWING IS NOT TO BE COPIED OR USED WITHOUT THE APPROVAL OF CLEVELAND RANGE.

LET	REVISIONS	DATE	BY
A	ITEM 1 WAS QTY. OF 4 ITEM 3 WAS QTY. OF 1 ADDED ITEM 7 - PLUG REDRAWN - E.O. #C-1994	08-08-91	PJD



ASSEMBLED UNIT

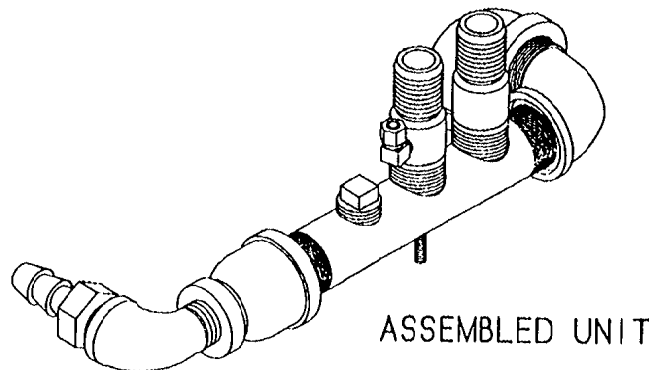
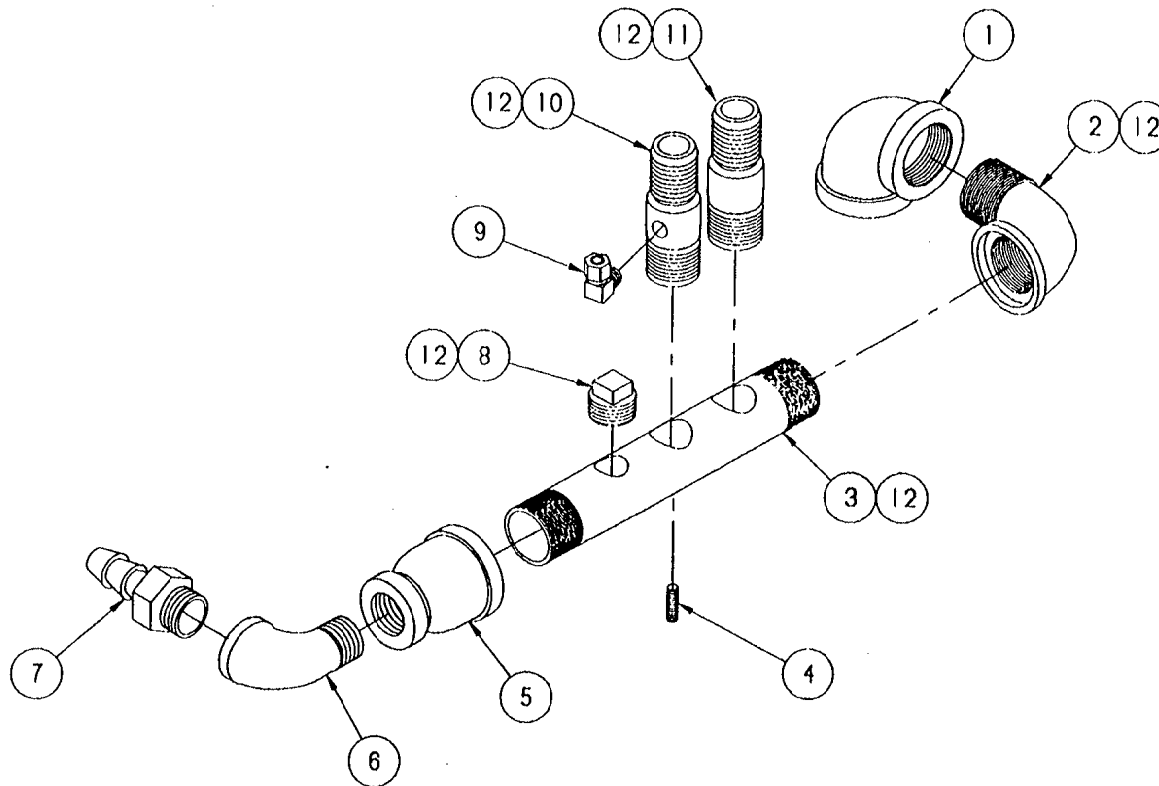


NO.	QTY.	PART NO.	DESCRIPTION
7	1	18801	PLUG, SQUARE HEAD 3/8" PIPE BLACK
6	1	20555	TRAP, BUCKET #80 3/4-80#
5	1	19872	STRAINER, 3/4 NPT BLACK
4	2	05282	ELBOW, 3/4 X 45° BLACK
3	3	14344	NIPPLE, 3/4 NPT X 2.00 BLACK
2	1	21305	UNION, 3/4 NPT BLACK
1	2	14343	NIPPLE, CLOSE, 3/4 NPT BLACK

NO.	QTY.	PART NO.	DESCRIPTION
TOLERANCES <small>(EXCEPT AS NOTED)</small>			
CLEVELAND RANGE INC. 1333 East 179th St. Cleveland, Ohio 44110-2571			
DECIMAL ± N/A	SCALE 1/2"	DRAWN BY J.J.	APPROVED BY -
ANGULAR ± N/A	TITLE PIPING ASS'Y, CONDENSATE DRAIN - STEAM COIL REVERSE BEND		
DATE	DRAWING NO.	REV.	

THIS DESIGN DESCRIBES A PROPRIETARY ITEM
AND IS THE PROPERTY OF CLEVELAND RANGE.
THIS DRAWING IS NOT TO BE COPIED OR USED

LET.	REVISIONS	DATE	BY
-	PRODUCTION RELEASE E.O. 4C-1994	08-23-91	PJD
A	P/N 14317 & 20205 OMITTED AND P/N 08210 WAS QTY. OF 2 PER E.O. 4C-2448	08-22-93	PJD

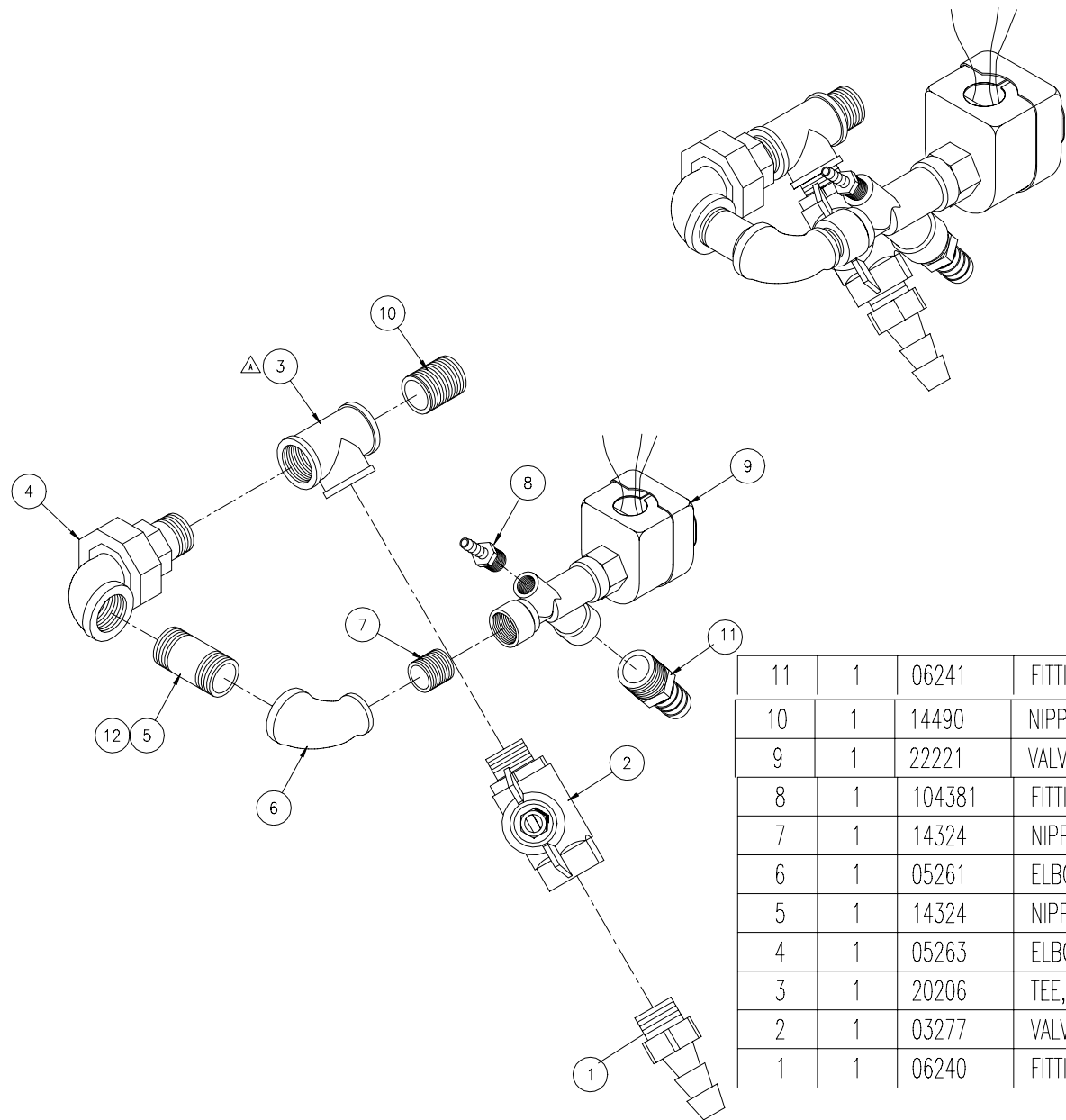


12	M/R	00934	SEALANT, RECTORSEAL
11	I	14481	FITTING, BARB 1" H X 1" MPT S/S
10	I	585191	FITTING, HOSE, DRAIN MANIFOLD W/ 1/8 HOLE
9	I	08192	FITTING, COMP. 1/4 T X 1/8 MPT 90°
8	I	16808	PLUG, SQ. HEAD, 3/4" PIPE, BLACK
7	I	08240	FITTING, HOSE BARB 3/4 H X 3/4 MPT
6	I	05259	ELBOW, STREET 3/4 X 90°, BLACK
5	I	03818	COUPLING, RED. 1-1/2 X 3/4, BLACK
4	I	19917	STUD, WELD 1/4-20 X 7/8, S/S
3	I	13252	MANIFOLD, DRAIN 1-1/2 NPT, BLACK
2	I	05292	ELBOW, STREET 1-1/2 NPT X 90° BLACK
1	I	05238	ELBOW, 1-1/2 NPT X 90°, BLACK
ITEM	QTY.	PART NO.	DESCRIPTION

TOLERANCES (EXCEPT AS NOTED)		CLEVELAND RANGE INC. 1333 East 179th St. Cleveland, Ohio 44110-2574	
DECIMAL ± N/A	SCALE 1/2"	DRAWN BY P. J. D.	APPROVED BY
ANGULAR ± N/A	TITLE PIPING ASSEMBLY DRAIN 38CGM/SM, 38CGM/LG, 3. 24CSM, 36CSM		
CK	DATE 08-13-91	DRAWING NO. C - 42751	REV. A

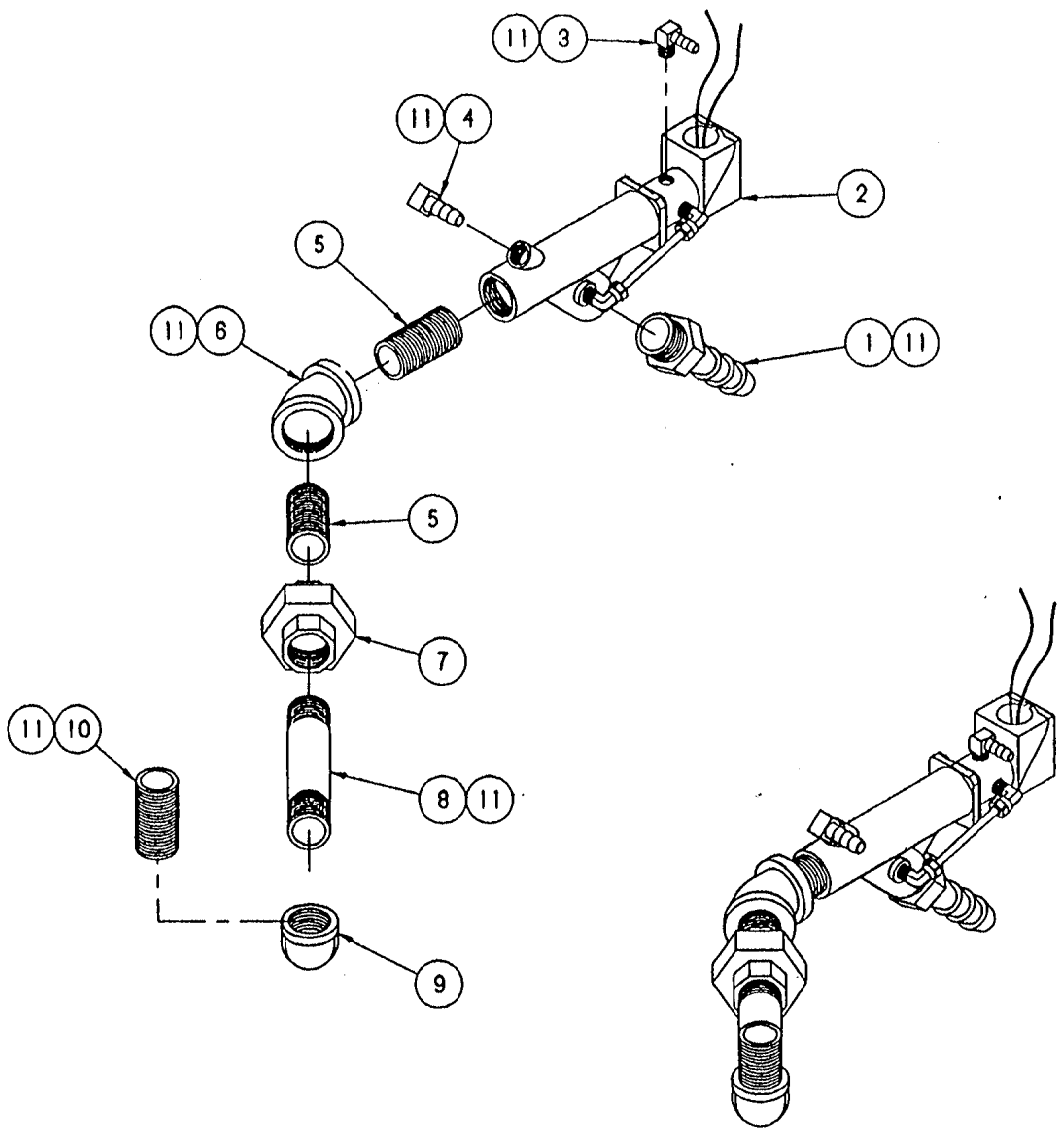
THIS DESIGN DESCRIBES A PROPRIETARY ITEM AND IS THE PROPERTY OF CLEVELAND RANGE. THIS DRAWING IS NOT TO BE COPIED OR USED WITHOUT THE APPROVAL OF CLEVELAND RANGE.

LET.	REVISIONS	DATE	BY
------	-----------	------	----



11	1	06241	FITTING, HOSE BARB, 3/4" H x 1/2" MPT
10	1	14490	NIPPLE, 3/4" x CLOSE, S/S
9	1	22221	VALVE, ASCO HV220649
8	1	104381	FITTING, HOSE BARB, 1/4" H x 1/4" NPT
7	1	14324	NIPPLE, 1/2" x CLOSE, BRASS
6	1	05261	ELBOW, 3/4" x 1/2" x 90°
5	1	14324	NIPPLE, 3/4" x 2", BRASS
4	1	05263	ELBOW, 90° RADIATOR, 3/4"
3	1	20206	TEE, 3/4", BRASS
2	1	03277	VALVE, BALL, 3/4" (W/OUT HANDLE)
1	1	06240	FITTING, HOSE BARB, 3/4" H x 3/4" MPT

ITEM	QTY	PART NO.	DESCRIPTION
CLEVELAND RANGE, LLC			
1333 East 179th St., Cleveland, Ohio 44110-2574			
<small>THIS DESIGN DESCRIBES A PROPRIETARY ITEM AND IS THE PROPERTY OF CLEVELAND RANGE. THIS DRAWING IS NOT TO BE COPIED OR USED WITHOUT THE APPROVAL OF CLEVELAND RANGE.</small>			
TOLERANCES (UNLESS OTHERWISE NOTED)	DO NOT SCALE PRINTED DRAWING	DRAWN BY S.MILEWSKI	DATE 7-18-91
DECIMAL ±.030	TITLE PIPING ASSEMBLY, BLOWDOWN 600 MM, GAS		
ANGULAR ± 1°	SIZE C	DRAWING NO. 40811	SHEET 1 OF 1 REV J



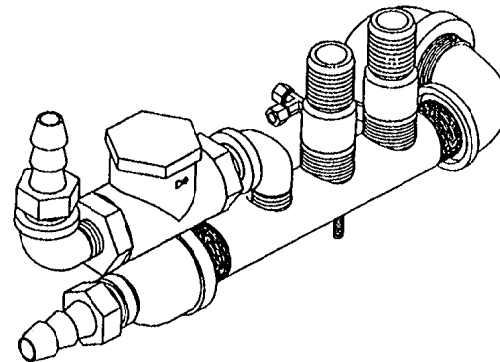
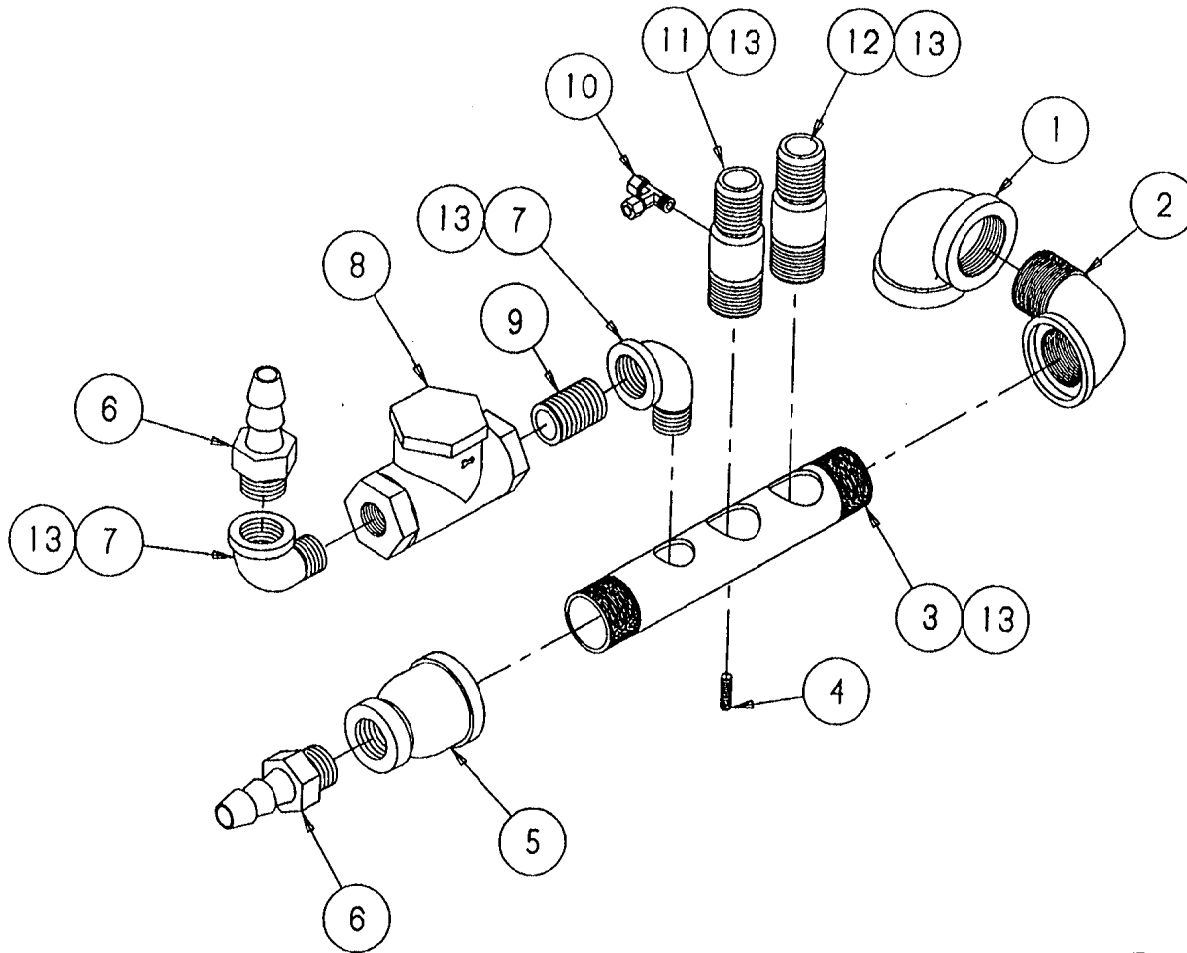
LET.	REVISIONS	DATE	BY
A	REDRAWN - P/N 06210 WAS 06208, P/N 06211 WAS 06207, E.O. C-1994	08-15-91	PJD
B	P/N 20208 WAS 20249 ADDED P/N 14490 & P/N 00934 E.O. 4C-2075	11-12-91	PJD
C	ROTATED THREAD POSITION ON P/N'S 05283 & 03277, MOVED P/N 14342. E.O. 4C-2350	1-12-93	NLT
D	P/N 06240 WAS 06241, P/N 22244 WAS 22221, P/N 105786 WAS 06214, P/N 14342 WAS 14324, P/N 05280 WAS 20206, P/N 105787 ADDED AND P/N'S 02586, 05283 & 03277 OMITTED PER E.O. 4C-2448	08-21-93	PJD

NO.	QTY.	PART NO.	DESCRIPTION
11	1	00934	SEALANT, RECTORSAL
10	1	14490	NIPPLE, 3/4 X CLOSE, 8/8
9	1	05280	ELBOW, 1/2 NPT X 90°, BRASS
8	1	14355	NIPPLE, 3/4 NPT X 5' LG., BRASS
7	1	21304	UNION, 3/4 NPT, BRASS
6	1	05282	ELBOW, 3/4 X 45°, BRASS
5	2	14342	NIPPLE, 3/4 X CLOSE, BRASS
4	1	105788	FITTING, HOSE BARB, 1/4 H X 1/4 NPT, 90°
3	1	105787	FITTING, HOSE BARB, 1/4 H X 1/8 NPT, 90°
2	1	22244	VALVE, SOLENOID, 1/2", 15 PSI
1	1	06240	FITTING, HOSE BARB, 3/4 H X 3/4 NPT

THIS DESIGN DESCRIBES A PROPRIETARY ITEM AND IS THE PROPERTY OF CLEVELAND RANGE. THIS DRAWING IS NOT TO BE COPIED OR USED WITHOUT THE APPROVAL OF CLEVELAND RANGE.

TOLERANCES UNLESS NOTED		CLEVELAND RANGE INC. 1330 East 179th St., Cleveland, Ohio 44110-2574	
DECIMAL ± N/A	SCALE 1/2	DRAWN BY J.J.	APPROVED BY
ANGULAR ± N/A	TITLE PIPING ASSEMBLY, DRAIN 21CSM, 36CSM, 42CKSM, PSM		
OK	DATE 11-21-84	DRAWING NO. C-42813	REV. D

LET	REVISIONS	DATE	BY
-	PRODUCTION RELEASE E.O. #C-2008	09-10-91	PJD
A	P/N 05259 WAS QTY. OF 2 E.O. #C-2048	10-11-91	PJD
B	P/N 105541 WAS P/N 20249 E.O. #C-2134 RI	03-11-92	PJD
C	P/N 05259 WAS QTY. OF 3, P/N 105541 OMITTED, P/N 08240 WAS QTY. OF 3 PER E.O. #C-2448	07-21-93	PJD



ASSEMBLED UNIT

13	A/A	00934	SEALANT, RECTORSEAL
12	1	14481	FITTING, BARB 1" HOSE X 1" MPT S/S
11	1	585191	FITTING, HOSE - DRAIN MANIFOLD WITH 1/8" HOLE
10	1	101394	TEE, MALE RUN 1/4" T X 1/4" T X 1/8"
9	1	14343	HIPPLE, CLOSE, 3/4", BLACK
8	1	22119	VALVE, SWING CHECK, 3/4"
7	2	05259	ELBOW, STREET, 90°, 3/4", BLACK
6	2	08240	FITTING, HOSE BARB 3/4" HOSE X 3/4" MPT
5	1	03818	COUPLING, RED, 1-1/2 - 3/4" BLACK
4	1	19917	STUD, WELD, 1/4-20 X .875 S/S
3	1	13252	MANIFOLD, DRAIN 1-1/2 NPT BLACK
2	1	05292	ELBOW, STREET 1-1/2 NPT X 90° BLACK
1	1	05238	ELBOW, 1-1/2 NPT X 90° BLACK
NO.	QTY.	PART NO.	DESCRIPTION
TOLERANCES (UNLESS AS NOTED)			CLEVELAND RANGE INC. 1333 East 179th St. Cleveland, Ohio 44110-2574
DECIMAL	SCALE	DRAWN BY	
± N/A	1/2"	P.J.D.	D.S.
ANGULAR	TITLE	DATE	
± N/A	DRAIN, MANIFOLD ASSEMBLY 42CKGM/SM 42CKGM/LG. M, 42CKSM	DRAWING NO.	
CK	09-10-91	C-104873	REV. C

THIS DESIGN DESCRIBES A PROPRIETARY ITEM AND IS THE PROPERTY OF CLEVELAND RANGE. THIS DRAWING IS NOT TO BE COPIED OR USED WITHOUT THE APPROVAL OF CLEVELAND RANGE.