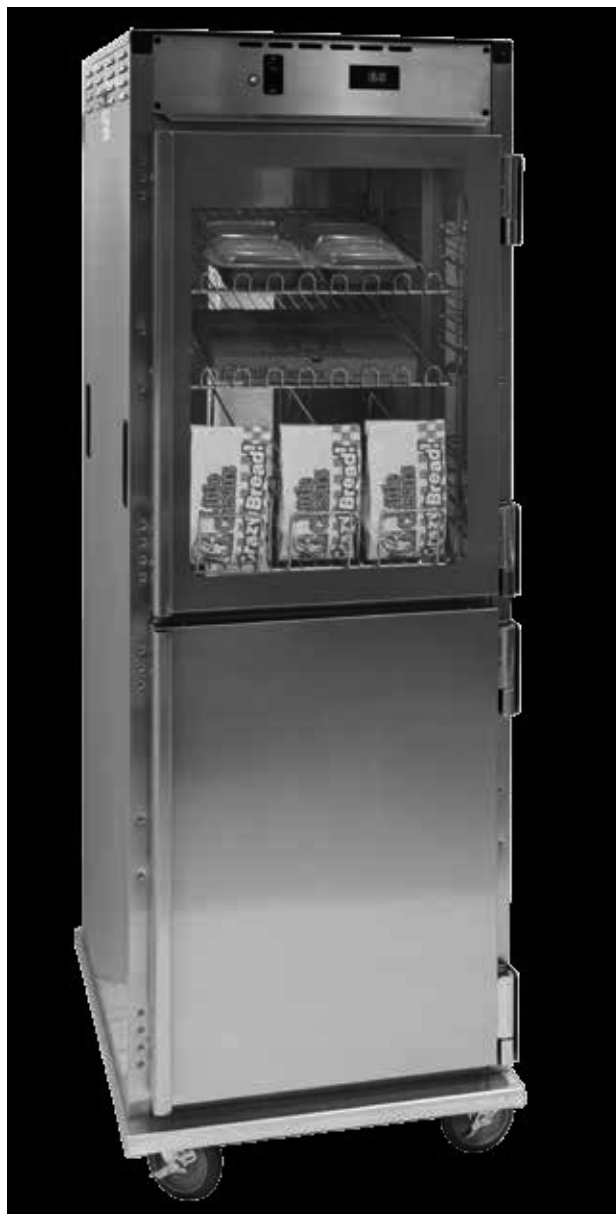


|                 |                   |
|-----------------|-------------------|
| Holding Cabinet | <b>FL-2371-LC</b> |
| Rev. 3 (5/14)   | Page 1 of 9       |

**OPERATING and MAINTENANCE INSTRUCTIONS**  
**Models: H138NPSCLCMC5QRL Merchandising Hot Cabinets**



Cabinet model number: \_\_\_\_\_

Cabinet serial number: \_\_\_\_\_

Authorized Service Agency: \_\_\_\_\_

Ph: \_\_\_\_\_ Fax: \_\_\_\_\_

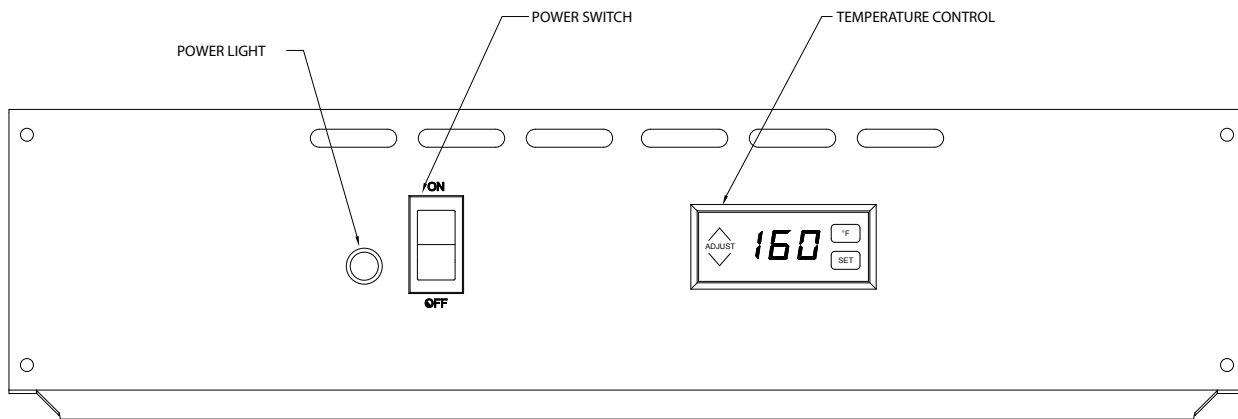
Keep this manual for future reference.

|                 |                   |
|-----------------|-------------------|
| Holding Cabinet | <b>FL-2371-LC</b> |
| Rev. 3 (5/14)   | Page 2 of 9       |

## INSTALLATION & OPERATION INSTRUCTIONS

### ELECTRICAL SPECIFICATIONS:

| Model No.        | Volts | Watts | Amps | Hertz | Phase | NEMA   |
|------------------|-------|-------|------|-------|-------|--------|
| H138NPSCLCMC5QRL | 120   | 2000  | 16.6 | 60    | 1     | L5-20P |



### INSTALLATION:

1. Remove all paper and packing material from inside of cabinet.
2. Remove protective paper and vinyl material from outside surfaces of cabinet.
3. For shelf installation, see page 8.
4. Place the cabinet in a well-ventilated area.
5. Place cabinet on level floor.
6. Plug cord end into proper wall outlet.
7. See page 4 to reverse the door openings.

### FIRST TIME START-UP:

1. Push the POWER switch to “ON”, and run the unit for one hour.

**NOTE: DO NOT PUT FOOD INTO CABINET!**

This step is to burn off manufacturing oils and excess adhesive.

2. Let the cabinet cool and wipe inside clean with detergent and hot water before first use.

### HOW TO HOLD:

1. Push POWER switch to “ON.” POWER LIGHT will come on.
2. The control is preset to maintain an average temperature of 160°F. Displayed temperatures will change during loading and unloading of product.
3. Preheat cabinet for 45 minutes.
4. Put product into cabinet.

**NOTE:** Proper food holding temperature is 140°F/60°C or higher.

**WARNING** Air is VERY HOT when door is opened.

**WARNING**  
Blower inlet guard must be in place before operating cabinet.

## MAINTENANCE INSTRUCTIONS

### **WARNING**

**BEFORE** cleaning the cabinet:

1. Unplug the cabinet from the wall.
2. Allow cabinet to cool.

### **CAUTION**

1. Do **NOT** use abrasives (steel wool) or harsh chemicals (chlorine, bromine, iodine or ammonia).
2. Do **NOT** use a water sprayer (pressure sprayer) to clean the cabinet.

### CLEANING HINTS:

1. Wipe up spills as soon as possible.
2. Clean cabinet daily to avoid heavy dirt build-up.
3. Make a test spot with cleaner:
  - a) Follow manufacturer's directions on cleaner.
  - b) Do not mix cleaners.
  - c) Avoid drips and splashes.

### HOW TO CLEAN WIRE RACKS:


1. Remove all items from shelves.
2. Place towels under the area you will be cleaning.
3. Spray shelves with a degreasing cleaner and wait two minutes.
4. Scrub the shelves with a brush. Use a toothbrush to get between the wires.
5. Wipe off with a damp sponge and warm water. Dry with towels.

### HOW TO CLEAN THE UNIT:

|  | Soil                       | Cleaner                                    | Method  |
|--|----------------------------|--|---|
| <b>CABINET</b><br>Inside and<br>Outside<br>(Stainless Steel) | DAILY CLEANING             | Mild detergent and hot water.              | 1. Sponge on with cloth.<br>2. Rinse with water.<br>3. Wipe dry.                            |
|  | STUBBORN SPOTS AND STAINS  | Mild abrasive made for stainless steel.    | 1. Apply with damp sponge or cloth.<br>2. Rub lightly.<br>3. Rinse with water and wipe dry. |
|  | BURNT-ON FOODS OR GREASE   | Chemical oven cleaner for stainless steel. | Follow oven cleaner manufacturer's directions.  |
|  | HARD WATER SPOTS and SCALE | Vinegar                                    | 1. Swab or wipe with cloth.<br>2. Rinse and dry.  |

*\*Mild detergents include soaps and non-abrasive cleaners.*

**Note:** Gaskets are removable for cleaning.



## WARNING

RISK OF FIRE OR ELECTRIC SHOCK  
DO NOT OPEN



WARNING: TO REDUCE THE RISK OF FIRE OR ELECTRIC SHOCK,

DO NOT REMOVE COVER (OR BACK)

NO USER-SERVICEABLE PARTS INSIDE

REPAIR SHOULD BE DONE BY AUTHORIZED SERVICE PERSONNEL ONLY

|                 |                   |
|-----------------|-------------------|
| Holding Cabinet | <b>FL-2371-LC</b> |
| Rev. 3 (5/14)   | Page 4 of 9       |

## MAINTENANCE INSTRUCTIONS

### HOW TO REVERSE THE DOOR OPENING:

1. Open the door 180°, lift it up and off. Lay it down with the outside up.
2. Pop off the hinge covers with a regular screwdriver.
3. Unscrew the hinges and pull handle and remount them to the opposite sides of the door (make sure the hinge pin is down).
4. Remove the cabinet hinges with door stop brackets. Remove the screws plugging the mating hinge holes on the opposite side of the cabinet.
5. Lift out and turn the plastic cam in each cabinet hinge 180°. Use a screwdriver to pop them out, if necessary (see Figure 1). Mount the hinges and door stop brackets onto the opposite side of cabinet (see Figure 2).
6. Put the door back onto the cabinet and adjust/tighten the hinges as shown on page 5.



Figure 1  
Right Hand Hinge (as shipped)



Note the position of curved dwell on the cam after turning it 180°

Figure 2  
Left Hand Hinge

|                 |                   |
|-----------------|-------------------|
| Holding Cabinet | <b>FL-2371-LC</b> |
| Rev. 3 (5/14)   | Page 5 of 9       |

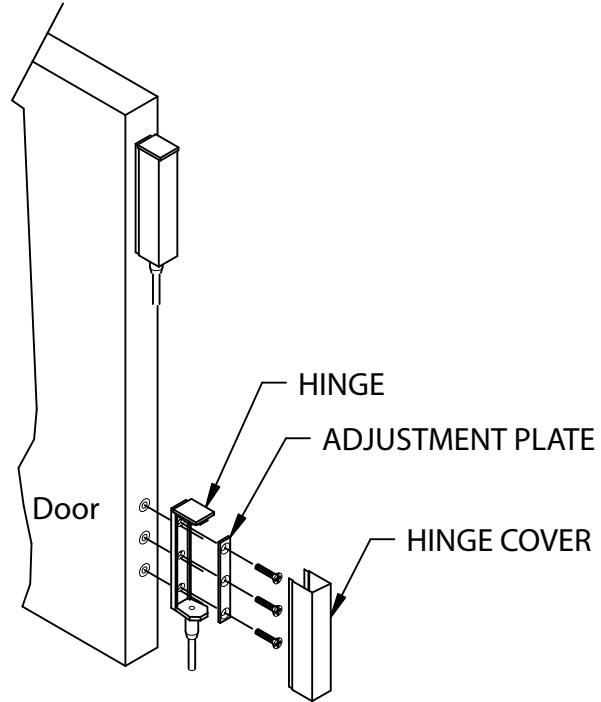
## MAINTENANCE INSTRUCTIONS TROUBLE-SHOOTING GUIDE

### How to adjust/tighten the double door hinges:

1. Open the door 180°, lift it up and off. Lay it down with the outside up.
2. Pop off hinge covers with a screwdriver.
3. Loosen the screws that hold hinges to the door. Those holes are slotted for adjustment.
  - a) Push the hinge back for the door to close easier; or
  - b) Pull the hinge forward to close the gap between the door and the cabinet.
4. Tighten the screws and then test the door.

### How to adjust /tighten the full door hinges:

1. Loosen the screws holding the hinge to the door.
2. Push or pull the hinge per instructions above.



### FAILURE

1. POWER LIGHT (*Yellow*) does NOT light.
2. Unit does not heat.
3. Unit gets too hot or won't shut off.
4. Blower does not work or makes noise.
5. GFCI device trips.

### POSSIBLE CAUSE

- 1a. Switch is "OFF".
- 1b. Cord unplugged from wall outlet.
- 1c. Circuit breaker/fuse to wall outlet tripped/blown.
- 2a. Temperature control is set too low.
- 2b. Switch is "OFF".
- 3a. Defective electrical parts.

### UNPLUG UNIT FROM WALL OUTLET.

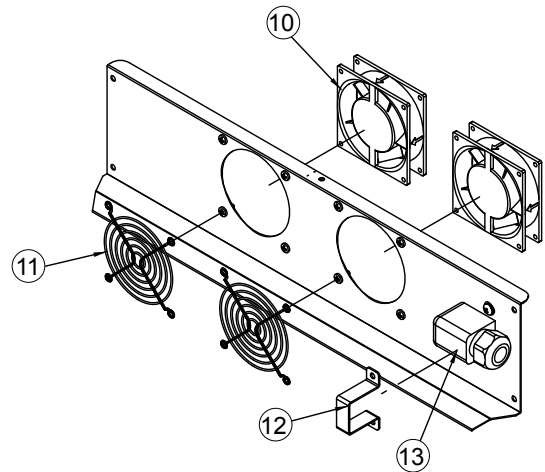
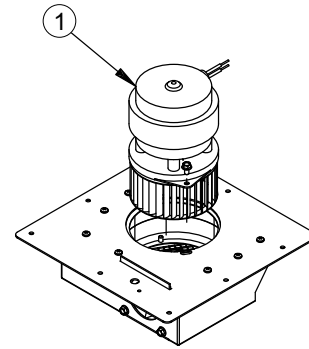
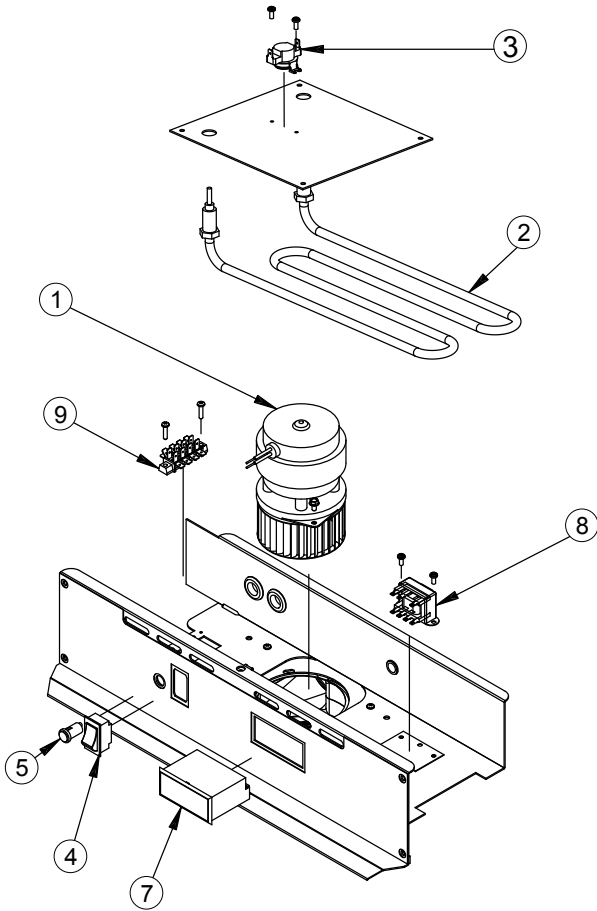
- 4a. Defective blower.
- 5a. The insulation inside the heating element may have absorbed some moisture. This may have occurred if the cabinet has not been used for a long period of time or during shipping and storage of the cabinet. Plug the cabinet into a non-GFCI outlet and set the temperature control to its maximum. Let the cabinet run for about 1 hour to dry out the heating element from any moisture may have been absorbed. If the circuit breaker trips, call the factory Authorized service agent. After drying the heating element, plug cabinet into the GFCI receptacle; the cabinet should run properly. If the GFCI device continues to trip, call the factory Authorized service agent.

GFCI (ground-fault circuit interrupter): A GFCI receptacle is a device that de-energizes a circuit when it detects an unsafe flow of current to ground. The intention of a GFCI device is to minimize the potential for an electrical shock.

*If cause is none of the above, refer to our list of Authorized Service Centers, FL-1400*

## REPLACEMENT PARTS

*Include all information on nameplate when ordering parts*



**ITEM DESCRIPTION**

- 1 Blower Kit
- 2 Heater Kit, Air
- 3 High Limit
- 4 Power Switch
- 5 Power Light
- Relay - Solid State (*not shown*)
- 7 Temperature controller
- 8 Transformer (*used with Temp controller*)
- 9 Terminal Block (4 pole)
- Terminal Block (2 pole)
- 10 Vent Fan
- Power Cord (*not shown*)
- 11 Fan Guard
- 12 Cord Bracket
- 13 Strain Relief 90°

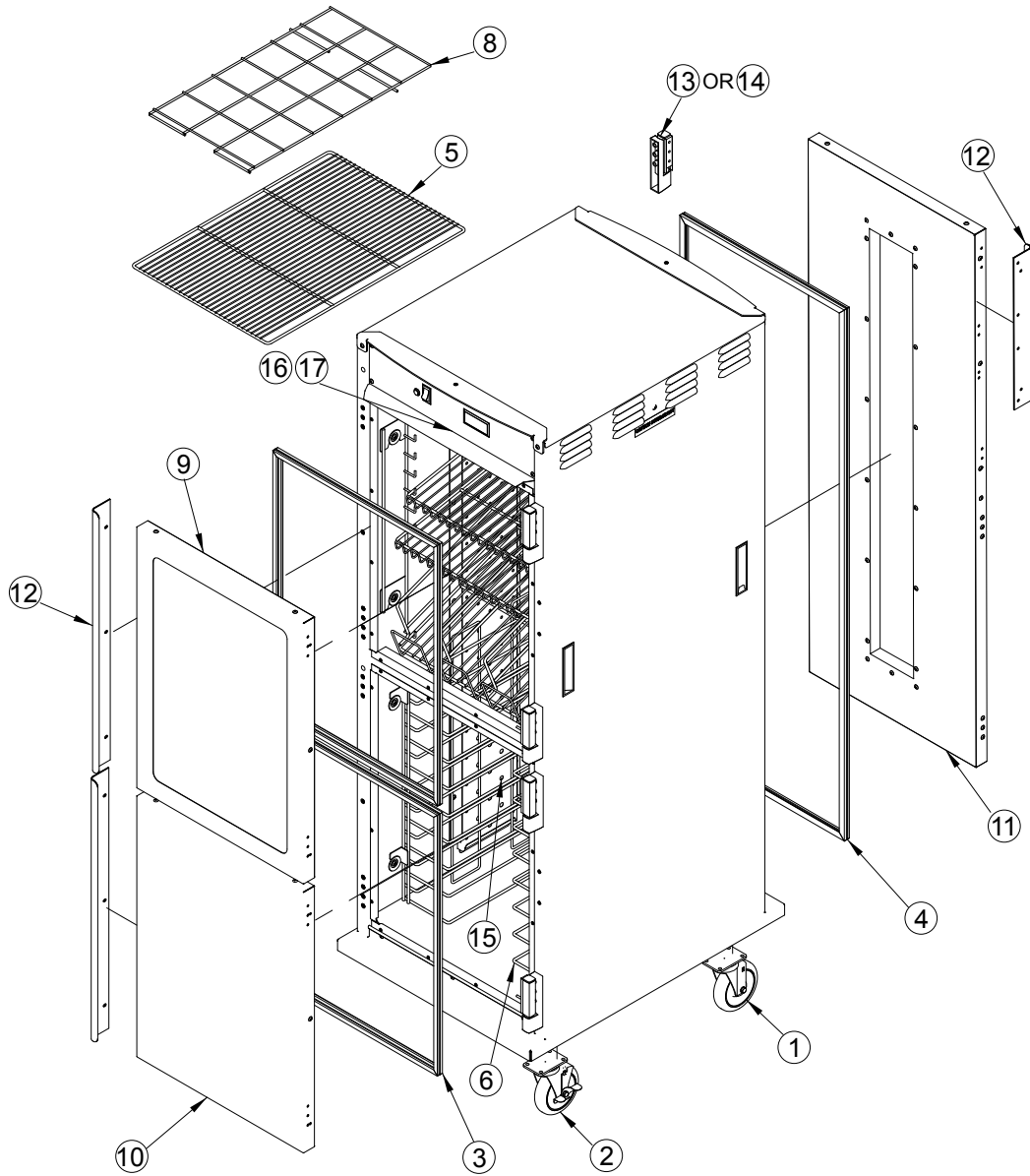
**120V**

- 0769-180-K-LC
- 1850 Watt 0811-022-K
- 0848-060
- 0808-116-K
- 0766-094
- 0857-134
- 0848-075-LCK
- 0769-159
- 0852-093
- 0852-091
- 0769-165
- 20 Amp 0810-065-14-LK
- 0769-167
- 0553-757
- 0818-095

|                 |                   |
|-----------------|-------------------|
| Holding Cabinet | <b>FL-2371-LC</b> |
| Rev. 3 (5/14)   | Page 7 of 9       |

## REPLACEMENT PARTS

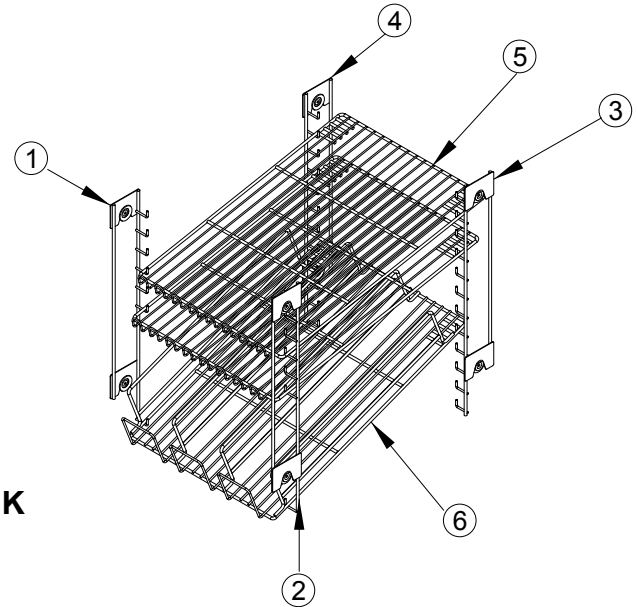
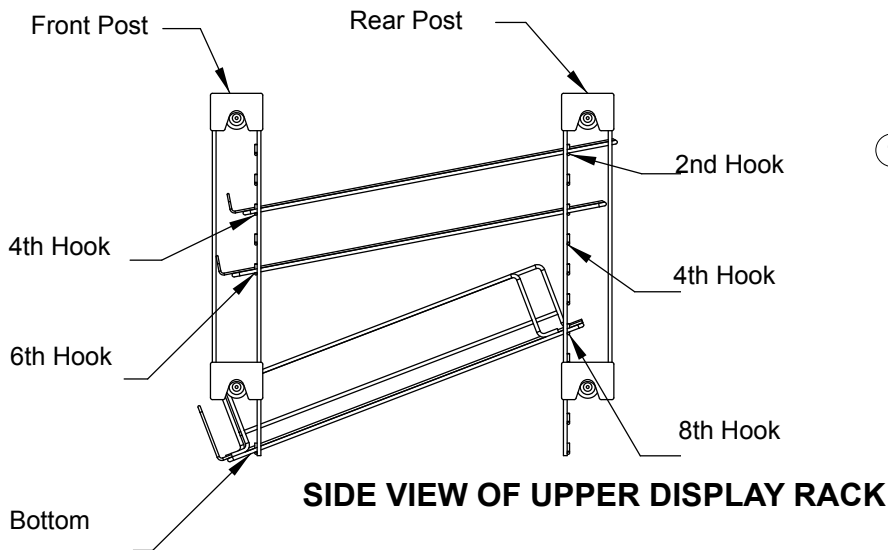
*Include all information on nameplate when ordering parts*



### CABINET REPLACEMENT PARTS:

| Item | Description             | Part No.     | Item | Description                   | Part No.     |
|------|-------------------------|--------------|------|-------------------------------|--------------|
| 1    | Caster                  | 0569-306-K   | 10   | Door, front, solid            | 1221-534-LCK |
| 2    | Caster with brake       | 0569-306-BK  | 11   | Door, back, window            | 1221-629-LCK |
| 3    | Gasket, front doors     | 0861-245-K   | 12   | Handle, door                  | 0911-115-LCK |
| 4    | Gasket, back door       | 0861-246-K   | 13   | Hinge Kit, lift off, set of 2 | 0519-114-LCK |
| 5    | Wire shelf              | 1170-005     | 14   | Hinge, butt type              | 0519-089-K   |
|      | Display Rack (upper)    | See Page 8   | 15   | Air tunnel                    | 0546-120     |
| 6    | Rack insert (lower)     | 1170-213-LCK | 16   | Light Display, Complete       | 0820-058     |
| 8    | Wire blower inlet guard | 1170-211     | 17   | Light Bulb Kit, set of 5      | 0820-059-01  |
| 9    | Door, front, window     | 1221-616-LCK |      |                               |              |

## DISPLAY RACK INSTALLATION (Recommended)



### HALOGEN BULB REPLACEMENT INSTRUCTIONS:

1. Turn PWR switch OFF, UNPLUG unit from wall outlet and allow unit to COOL to prevent SHOCK or BURN.
2. Insert small screwdriver between lens and mounting screw at a 45 degree angle and apply pressure while pulling down the lens. DO NOT DROP GLASS LENS!
3. Pull bulb STRAIGHT out. If necessary, gently pry at the base of bulb using a wiggling motion.

**NOTE:** For longest bulb life, do NOT handle a new bulb with bare hands. Use clean glove or cloth to install.

### DISPLAY RACK REPLACEMENT PARTS

| Item | Description      | Part No. |
|------|------------------|----------|
| 1    | Post, Left       | 1170-239 |
| 2    | Post, Right      | 1170-240 |
| 3    | Post, Right Rear | 1170-237 |
| 4    | Post, Left Rear  | 1170-238 |
| 5    | Wire Shelf       | 1170-223 |
| 6    | Wire Shelf       | 1170-236 |



## WIRING DIAGRAM

