

OPERATING and MAINTENANCE INSTRUCTIONS FOR HAND-LIFT HOLDING CABINET, H-339-135C-BK SERIES

ELECTRICAL SPECIFICATIONS:

MODEL	Volts	Watts	Amps	Hertz	Phase	NEMA
H-339135C-BK Series	120	900	7.5	60	1	5-15
	240	900	3.8	60	1	6-15

All models are designed for AC service.

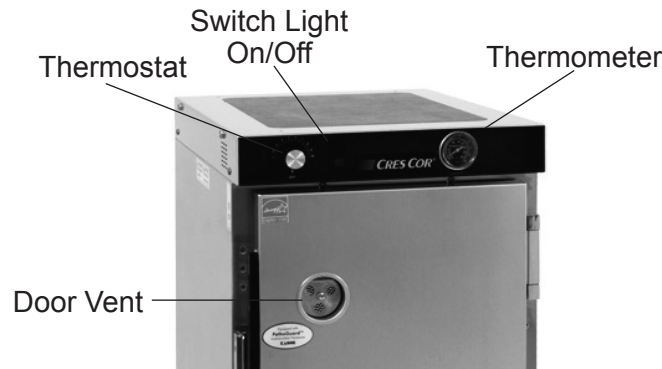


FIGURE 1

HOW TO INSTALL UNIT:

1. Lay cabinet down on its back; look at the bottom plate and note that every corner has a (4) hole pattern that matches up with the holes on the caster plate.
2. Remove the (16) screws that are in those caster mounting holes.
3. Unpack casters and attach them into the (16) holes with the screws provided (add brake casters to front of cabinet).
4. Plug cord into 15 amp. wall outlet.
5. Place cabinet in a well-ventilated area.
6. Push the switch on, turn the thermostat to No. 10 and run the unit for one hour.

NOTE: *DO NOT PUT IN FOOD!* This step is to burn off manufacturing oils and excess adhesive.

7. Let the cabinet cool and wipe inside clean with detergent and hot water before use.

HOW TO OPERATE UNIT: (Figure 1)

1. Push switch "ON". Yellow light will come on.
 2. Turn thermostat to the temperature you need.
- NOTE:** No. 6½ setting will give you about 180° F (82°C). Proper food holding temperature is 140° F (60°C) or higher.
3. Preheat cabinet for 45 minutes.
 4. Put food into cabinet.
 5. Turn the wing nut on the door vent to open the vent when less humidity is needed.

To Turn Off Unit:

Push switch "OFF". The yellow light will go off.

NOTE: Thermometer will give the inside cabinet temperature.

Insulated Hand-Lift Holding Cabinet	FL-0520-4
Rev. 10 (4/13)	Page 2 of 5

OPERATING and MAINTENANCE INSTRUCTIONS FOR HAND-LIFT HOLDING CABINET, H-339-135-BK SERIES

WARNING

BEFORE CLEANING CABINET:

1. **Unplug power cord from wall.**
2. **Do NOT hose cabinet with water.**
3. **Do NOT get water on controls.**
4. **Do NOT use abrasives or harsh chemicals.**

Hints:

1. Wipe up spills as soon as possible.
2. Clean cabinet regularly to avoid heavy dirt build-up.
3. Make a test spot with cleaner.
4. Follow manufacturer's directions on cleaner.
5. Do not mix cleaners
6. Avoid drips and splashes.

HOW TO CLEAN UNIT:

	SOIL	CLEANER	METHOD
CABINET Inside and Outside (Aluminum)	DIRT	Mild detergent* and hot water, or mild abrasive cleaner.	1. Use soft, damp cloth. 2. Rinse with hot water. 3. Wipe dry.
		Steam (no strong alkaline additive).	1. Rinse after steam cleaning. 2. Wipe dry.
	FINGERPRINTS, GREASE, OIL	Detergent* and hot water.	1. Wipe with soft, damp cloth. 2. Rinse with hot water. 3. Wipe dry.
		Chemical cleaner for aluminum.	Follow cleaner manufacturer's directions.
		Mild abrasive cleaner. Oily or waxy cleaner.	Apply with soft, clean cloth.
	WATER SPOTS	Mild abrasive cleaner.	Wipe with damp cloth.
RACK INSERT Removable (Stainless Steel)	ROUTINE CLEANING	Soap, ammonia, or detergent* and water.	1. Sponge on with cloth. 2. Rinse.
	STUBBORN SPOTS AND STAINS	Mild abrasive made for stainless steel.	3. Apply with damp sponge or cloth. 4. Rub lightly.
	BURNT-ON FOODS OR GREASE	Chemical oven cleaner.	1. Apply generous coating. 2. Allow to stand for 10-15 minutes. 3. Rinse. 4. Repeat application if necessary.
	HARD WATER SPOTS AND SCALE	Vinegar.	1. Swab or wipe with cloth. 2. Rinse and dry.
<i>* Mild detergents include soaps and non-abrasive cleaners.</i>			

OPERATING and MAINTENANCE INSTRUCTIONS FOR HAND-LIFT HOLDING CABINET, H-339-135-BK SERIES

HOW TO REVERSE DOOR HARDWARE FOR OPPOSITE HAND (Refer to Figure 2 [hinge]):

1. Pop off hinge covers with a screwdriver.
2. Remove screws from hinges to door (Item 1) and hinge brackets to cabinet (Item 2).
3. Remove screws from latch to door and latch bracket to cabinet.
NOTE: Keep hinges and latch strike mounted to the brackets.
4. Remove all remaining screws from both sides of door and cabinet in that area. Keep all screws.
5. Turn latch strike bracket 180° and mount it to the opposite side of the cabinet with the same screws you removed. Do the same with the hinge brackets.
6. Line up (4) latch holes to door holes on the opposite side of the door. Mount latch with same screws that were removed.
7. Mount hinges to the opposite side of the door and snap on the hinge covers.
8. Plug remaining holes with screws.

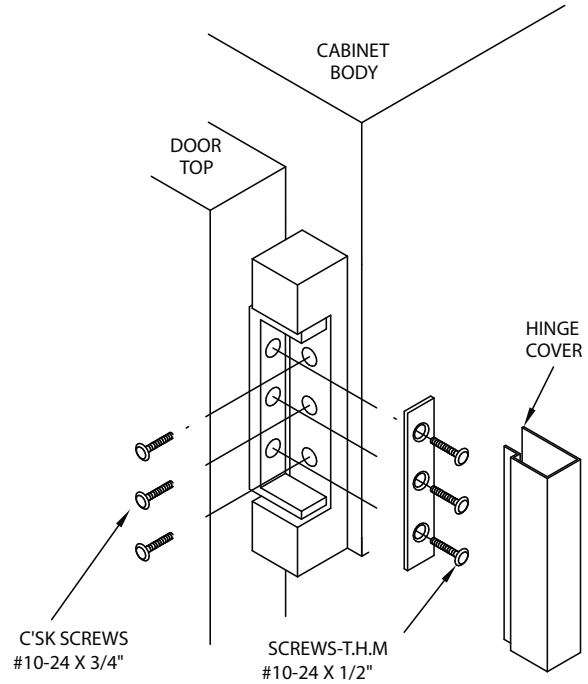


FIGURE 2

TROUBLE-SHOOTING CHART

FAILURE	POSSIBLE CAUSE/CHECK
1. Unit does not heat:	1a. Thermostat turned up. 1b. Switch is "ON". 1c. Cord is plugged into outlet. 1d. Circuit breaker/fuse for wall outlet.
2. Unit will not turn off:	2a. Thermostat turned down. 2b. Switch is "OFF".

If cause is none of the above, refer to our list of authorized service agencies, FL-1400.

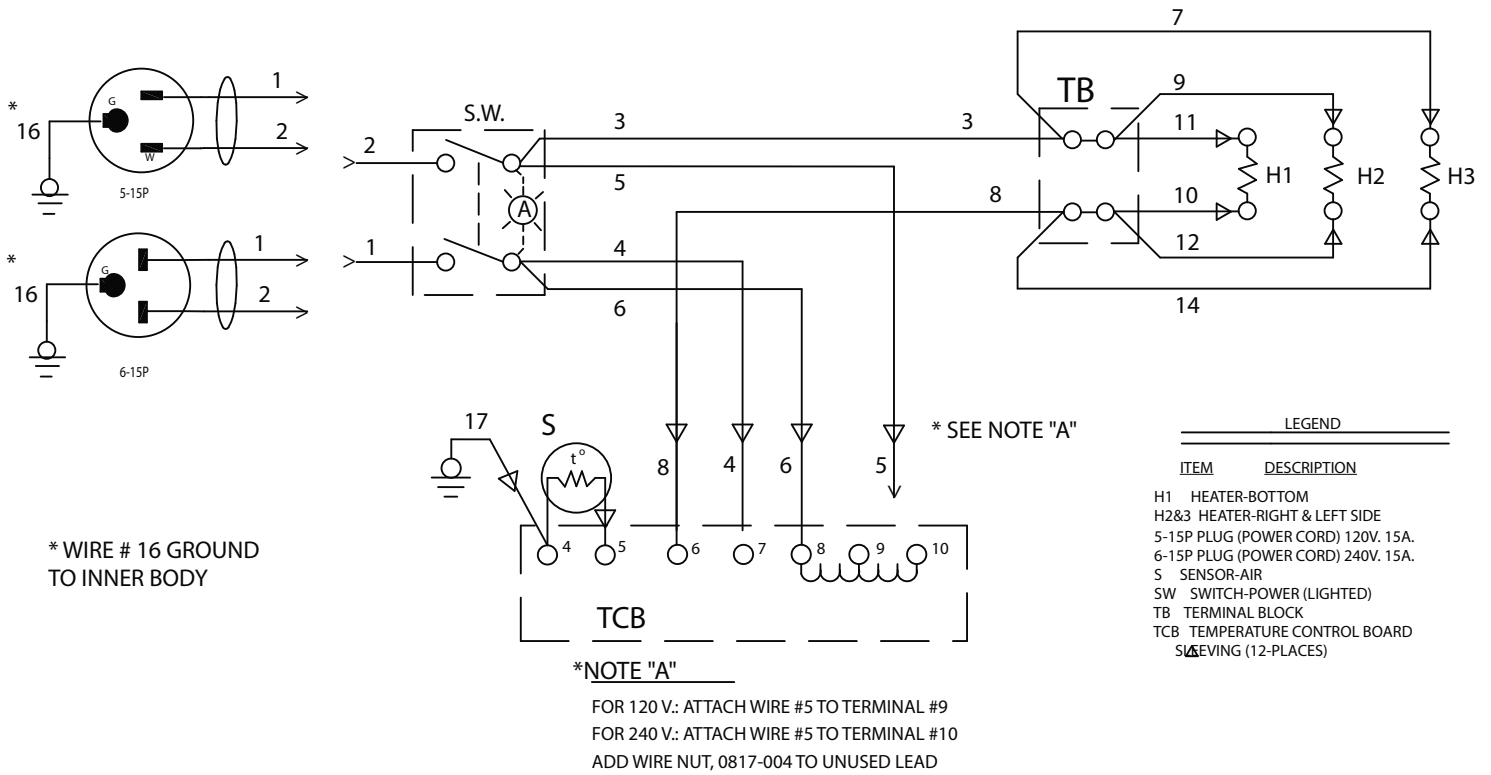
Instructions for replacing parts are included in replacement parts kits.

REPLACEMENT PARTS:

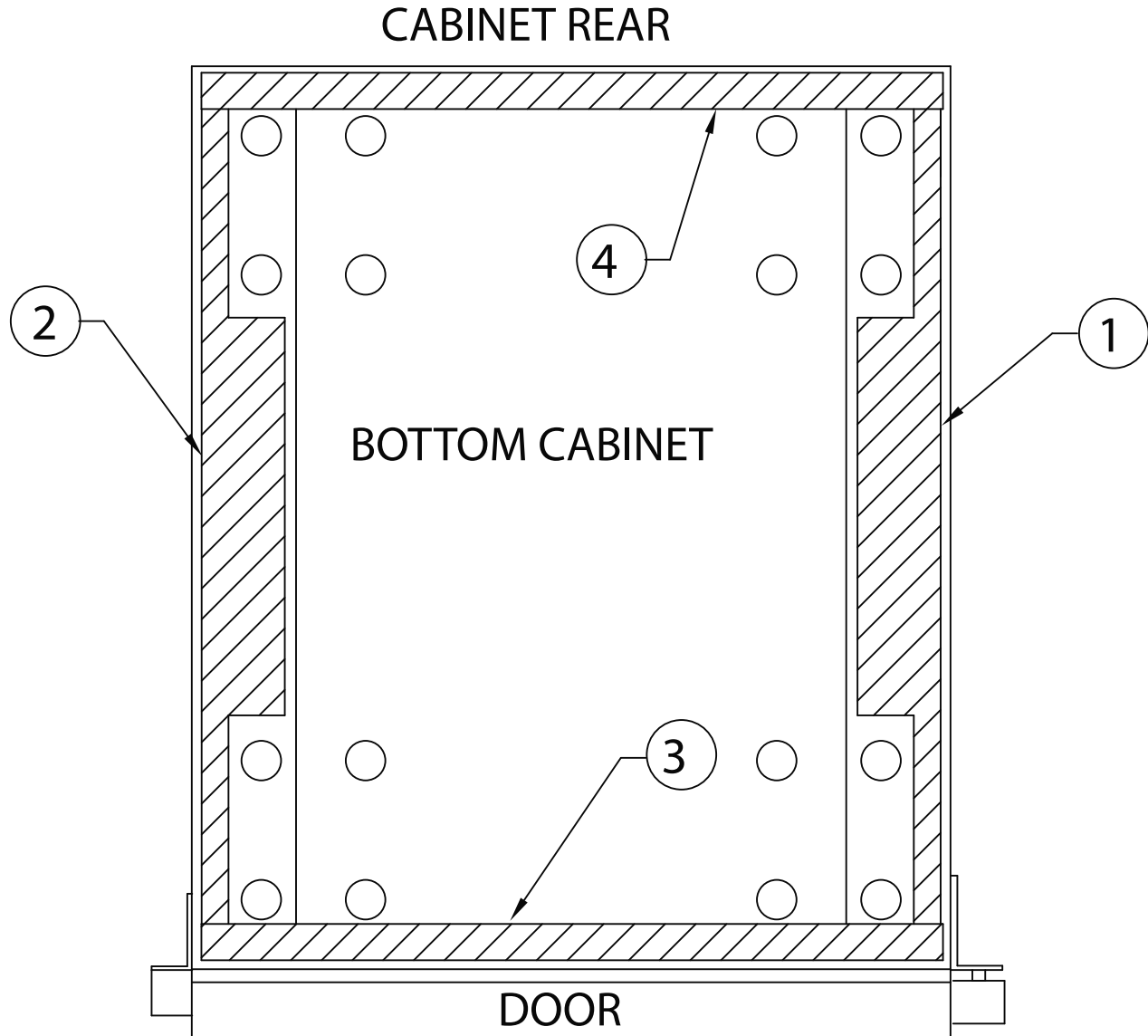
	120 V.	240 V.
Cord Set	0810-029	0810-139
Switch Kit	0808-113-K	0808-113-01-K
Heater Kit	0811-066-K	0811-066-1K
Thermostat Kit	0848-008-ACK	0848-008-ACK
Terminal Block	0852-091	0852-091
Door Latch Kit		1006-142-K1
Hinge Kit		0519-074-K
Thermometer Kit		5238-030-K
Gasket Kit		0861-077
Rack Insert		1104-083-K
Door Assembly (Reversible)		5508-087-K
Leg Kit		1206-064
Caster Kit, 3" diameter		5544
Caster Kit, 5" diameter		5518-BK

Insulated Hand-Lift Holding Cabinet	FL-0520-4
Rev. 10 (4/13)	Page 4 of 5

OPERATING and MAINTENANCE INSTRUCTIONS FOR HAND-LIFT HOLDING CABINET, H-339-135-BK SERIES



INSTALLATION INSTRUCTIONS for NON-SKID MAT FOR COUNTER TOP USAGE



1. Lay cabinet down and clean the bottom of the cabinet.
2. Pull paper backing off the adhesive side of the (4) pieces of spongy material found inside the cabinet.
3. Install the front & rear pieces, 17³/₄" long, (items 3 & 4) across the edge of the bottom plate as shown.
4. Install side pieces, 21¹/₄" long (items 1 & 2) along the edge in between the front and rear pieces.
5. All gaps around the bottom need to be sealed with N.S.F. 51 approved sealant, e.g. Sil-Bond #4500.