

OPERATING and MAINTENANCE INSTRUCTIONS Models: HCDH-20.20 Companion Holding Cabinet



Models: HCDH SERIES for use with Convotherm C2020 Roll-In Rack (not included).

Cabinet model number: _____

Cabinet serial number: _____

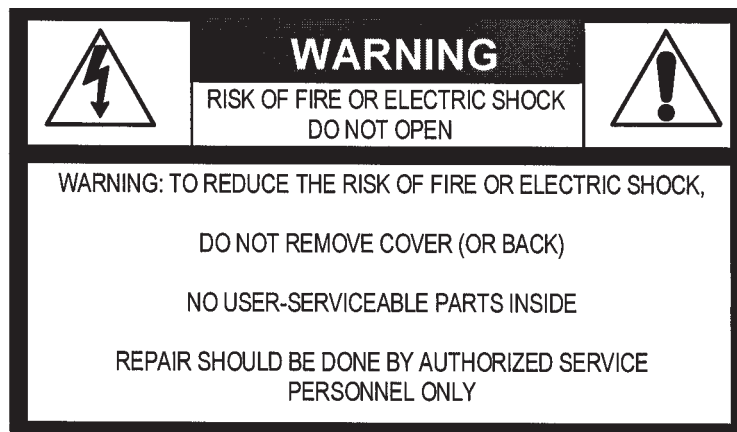
Authorized Service Agency: _____

Ph: _____ Fax: _____

Keep this manual for future reference.

TABLE OF CONTENTS

SUBJECT	PAGE
INSTALLATION INSTRUCTIONS	2
Illustration (Leg Adjustment), Figure 1	2
OPERATING INSTRUCTIONS	3
Illustration (Control Panel), Figure 2	3
MAINTENANCE INSTRUCTIONS	
How to Clean the Unit	4
Trouble Shooting Guide	5
Replacement Parts (Cabinet)	6
Illustration (Cabinet Parts).....	7
Replacement Parts (Power Unit)	8
Wiring Diagram.....	9
How to Reverse the Door Opening.....	10
WARRANTY	11
AUTHORIZED SERVICE AGENCIES	12

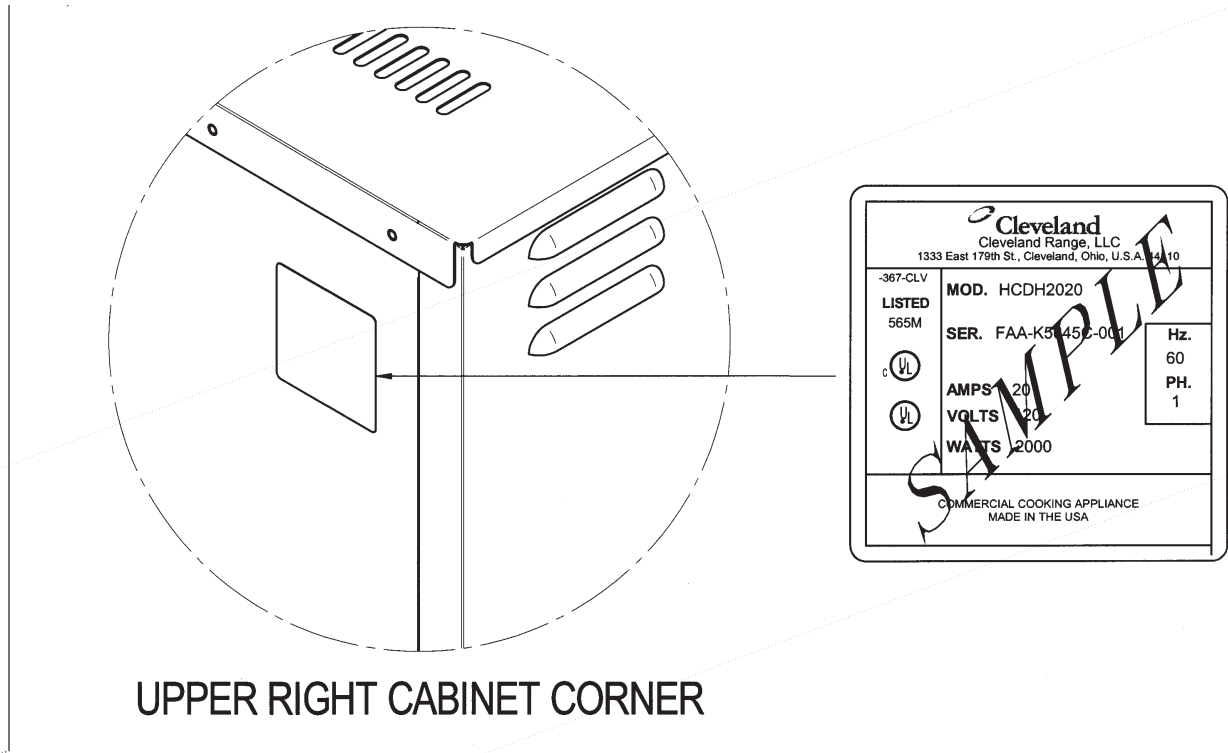


OPERATING and MAINTENANCE INSTRUCTIONS

Models: HCDH-20.20 Companion Holding Cabinet

IDENTIFYING YOUR CABINET:

Look for this label on the back of your cabinet. This information is needed when calling for questions or service.



ELECTRICAL SPECIFICATIONS:

Model No.	Volts	Watts	Amps	Hertz	Phase	NEMA
HCDH2020	120	1920	16.0	60	1	5-20P
HCDH2020208	208	2000	10.0	60	1	6-15P
HCDH2020240	240	2000	8.6	60	1	6-15P

Note: The above model numbers are basic models. They may be followed by letters: R, DD, W, CA, P, or ending with S.

Companion Holding Cabinet	FL-2335-CLV
Rev. 0 (2/07)	Page 2 of 14



Cleveland Range, LLC
1333 East 179th Street
Cleveland, Ohio, 44110 U.S.A

OPERATING and MAINTENANCE INSTRUCTIONS

Models: HCDH-20.20 Companion Holding Cabinet

HOW TO INSTALL UNIT:

1. Remove all paper and packing material from inside of cabinet.
2. Remove protective paper and vinyl material from outside surfaces of cabinet.
3. Place the cabinet in a well-ventilated area.
4. Place cabinet on level floor. (For cabinets with legs, adjust the legs of the cabinet to ensure proper fit of rack into cabinet. See Fig. 1)
5. Plug cord end into proper wall outlet.
6. Push POWER switch to “ON.” Yellow POWER LIGHT will come on.
7. Push the “SET” button on the TEMPERATURE CONTROL. The TEMPERATURE DISPLAY will show “SP1” (set point 1).
8. Press “SET” again and the current set point temperature will be displayed.
9. Press the ▲ ▼ ADJUST buttons to adjust to 200°F (93°C).
10. Run the unit for one hour.
11. Let the cabinet cool and wipe inside clean with detergent and hot water before first use.

NOTE: DO NOT PUT FOOD IN CABINET!

This step is to burn off manufacturing oils and excess adhesive.



Air is VERY HOT when door is opened.

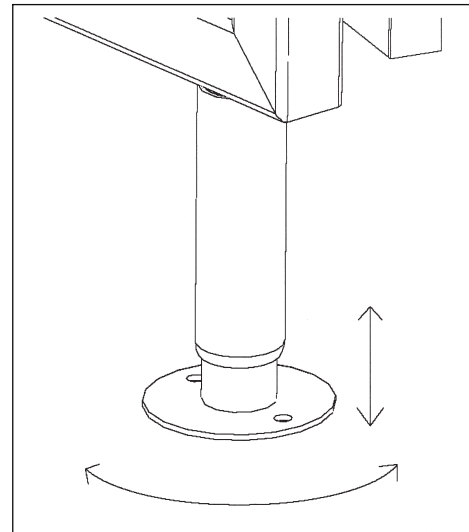


Figure 1 Leg Adjustment

OPERATING and MAINTENANCE INSTRUCTIONS

Models: HCDH-20.20 Companion Holding Cabinet

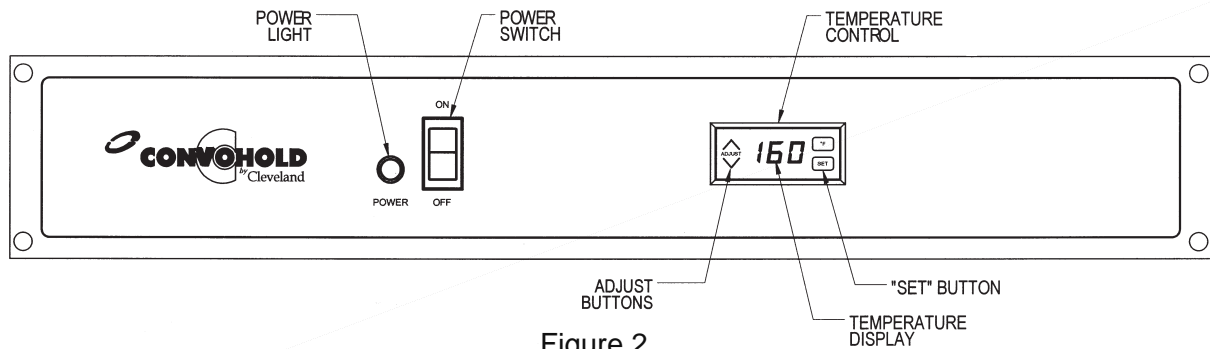


Figure 2

HOW TO HOLD:

1. Push POWER switch to “ON.” Yellow POWER LIGHT will come on.
2. Push the “SET” button on the TEMPERATURE CONTROL. The TEMPERATURE DISPLAY will show “SP1” (set point 1).
3. Press “SET” again and the current set point temperature will be displayed.
4. Press the ▲▼ ADJUST buttons to adjust to the desired temperature.
5. Press “SET” to save the temperature setting.
6. Preheat cabinet for 45 minutes.
7. Put product into cabinet.

NOTES: Proper food holding temperature is 140°F/60°C or higher.



Air is VERY HOT when door is opened.

Companion Holding Cabinet	FL-2335-CLV
Rev. 0 (2/07)	Page 4 of 14



Cleveland Range, LLC
1333 East 179th Street
Cleveland, Ohio, 44110 U.S.A

OPERATING and MAINTENANCE INSTRUCTIONS

Models: HCDH-20.20 Companion Holding Cabinet



BEFORE cleaning the cabinet: **Unplug cord from wall.**

Do NOT hose cabinet with water.

Do NOT get water on controls.

Do NOT use abrasives or harsh chemicals.

Cleaning hints:

1. Wipe up spills as soon as possible.
2. Clean cabinet regularly to avoid heavy dirt build-up.
3. Make a test spot with cleaner.
4. Follow manufacturer's directions on cleaner.
5. Do not mix cleaners.
6. Avoid drips and splashes

HOW TO CLEAN THE UNIT:

	Soil	Cleaner	Method
CABINET Inside and Outside (Stainless Steel)	ROUTINE CLEANING	Soap, Ammonia, or mild *detergent and water.	1. Sponge on with cloth. 2. Rinse with water. 3. Wipe dry.
	STUBBORN SPOTS AND STAINS	Mild abrasive made for stainless steel.	1. Apply with damp sponge or cloth. 2. Rub lightly.
	BURNT-ON FOODS OR GREASE	Chemical oven cleaner for stainless steel.	Follow oven cleaner manufacturer's directions.
	HARD WATER SPOTS and SCALE	Vinegar	1. Swab or wipe with cloth. 2. Rinse and dry.

**Mild detergents include soaps and non-abrasive cleaners.*



Cleveland Range, LLC
 1333 East 179th Street
 Cleveland, Ohio, 44110 U.S.A

Companion Holding Cabinet	FL-2335-CLV
Rev. 0 (2/07)	Page 5 of 14

OPERATING and MAINTENANCE INSTRUCTIONS

Models: HCDH-20.20 Companion Holding Cabinet

TROUBLE-SHOOTING CHART:

FAILURE

POSSIBLE CAUSE

- | | |
|---------------------------------------------------------|----------------------------------------------------------------------------------------------------------------------------------------------------------------------------------------------------------------------------------------------------------------------------------------------------------------------------------------------------------------------------------------------------------------------------------------------------------------------------------------------------------------------------------------------------------------------------------------------------------------------------------------------------------------------------------------------------------------------------------------------------------------------|
| <p>1. <i>Yellow</i> light at switch does NOT light.</p> | <p>1a. Switch is “OFF”.
 1b. Cord unplugged from wall outlet.
 1c. Circuit breaker/fuse to wall outlet blown.</p> |
| <p>2. Unit does not heat.</p> | <p>2a. Temperature Control set too low.
 2b. Switch is “OFF”.</p> |
| <p>3. Unit gets too hot or won’t shut off.</p> | <p>4a. Defective electrical parts. UNPLUG UNIT FROM WALL OUTLET.</p> |
| <p>4. Blower does not work or makes noise.</p> | <p>5a. Defective blower.</p> |
| <p>5. GFCI device trips.</p> | <p>6a. The insulation inside the heating elements may have absorbed some moisture. This may have occurred if the cabinet has not been used for a long period of time or during shipping and storage of the cabinet. Drain the water pan if needed. Plug the cabinet into a non-GFCI outlet and set the Temperature Control to 200° (93°C). Let the cabinet run for about 1 hour to dry out the heating elements from any moisture may have been absorbed. If the circuit breaker trips, turn off cabinet, remove cord from power source, and call the Factory Authorized Service Agent. After drying the heating elements, plug cabinet into the GFCI receptacle; the cabinet should run properly. If the GFCI trips, call the factory Authorized service agent.</p> |

GFCI (ground-fault circuit interrupter): A GFCI receptacle is a device that de-energizes a circuit when it detects an unsafe flow of current to ground. The intention of a GFCI device is to minimize the potential for an electrical shock

If cause is none of the above, refer to our list of Authorized Service Agencies.

Companion Holding Cabinet	FL-2335-CLV
Rev. 0 (2/07)	Page 6 of 14



Cleveland Range, LLC
1333 East 179th Street
Cleveland, Ohio, 44110 U.S.A

OPERATING and MAINTENANCE INSTRUCTIONS

Models: HCDH-20.20 Companion Holding Cabinet

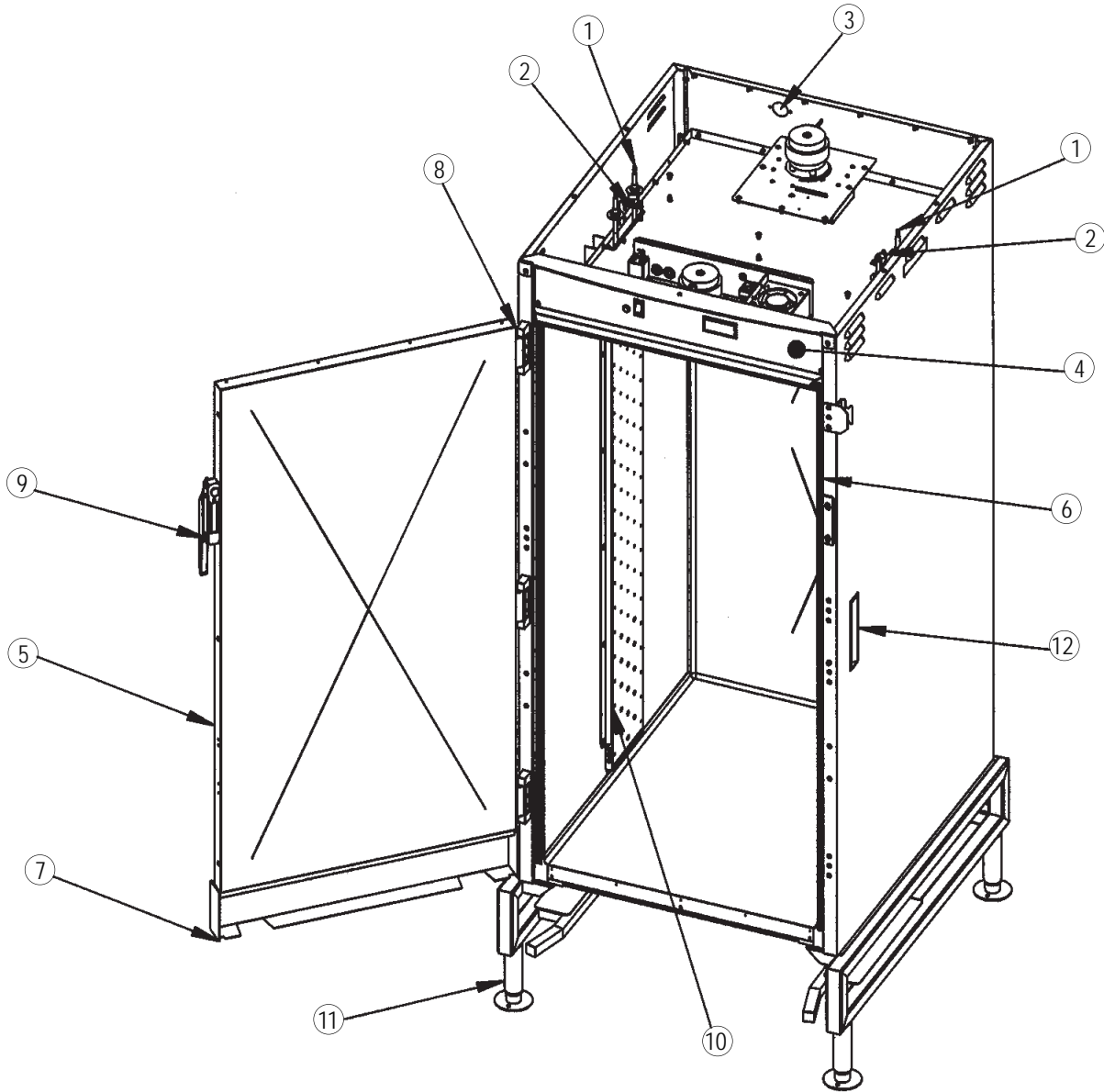
CABINET REPLACEMENT PARTS:

ITEM DESCRIPTION	<u>120V</u>	<u>208V</u>	<u>240V</u>
1 Heater Kit, Air, 1000 Watts each	0811-074	0811-074-02	0811-074-01
2 High Limit	0848-060	0848-060	0848-060
3 Power Cord	0810-065-10	0810-039-02	0810-039-02
4 Power Unit (See Page 8)	0675-071-CLV	0675-072-CLV	0675-072-CLV
5 Door - full, solid	1221-557-K		
-full, w/window	1221-558-K		
-half, solid, top LH, bottom, RH	1221-560-K		
-half, solid, bottom LH, top, RH	1221-559-K		
-half, window, top LH, bottom, RH	1221-561-K		
-half, window, bottom LH, top, RH	1221-562-K		
6 Gasket Kit, Body	0861-175-CLV		
7 Gasket Kit, Door	0861-265-CLV		
8 Hinge Kit	0519-074-K-CLV		
9 Latch Kit	1006-122-01-K		
10 Tunnel	0546-141		
11 Leg, Adjustable	1206-070		
12 Handle, Pull	0911-102		

OPERATING and MAINTENANCE INSTRUCTIONS

Models: HCDH-20.20 Companion Holding Cabinet

CABINET REPLACEMENT PARTS:

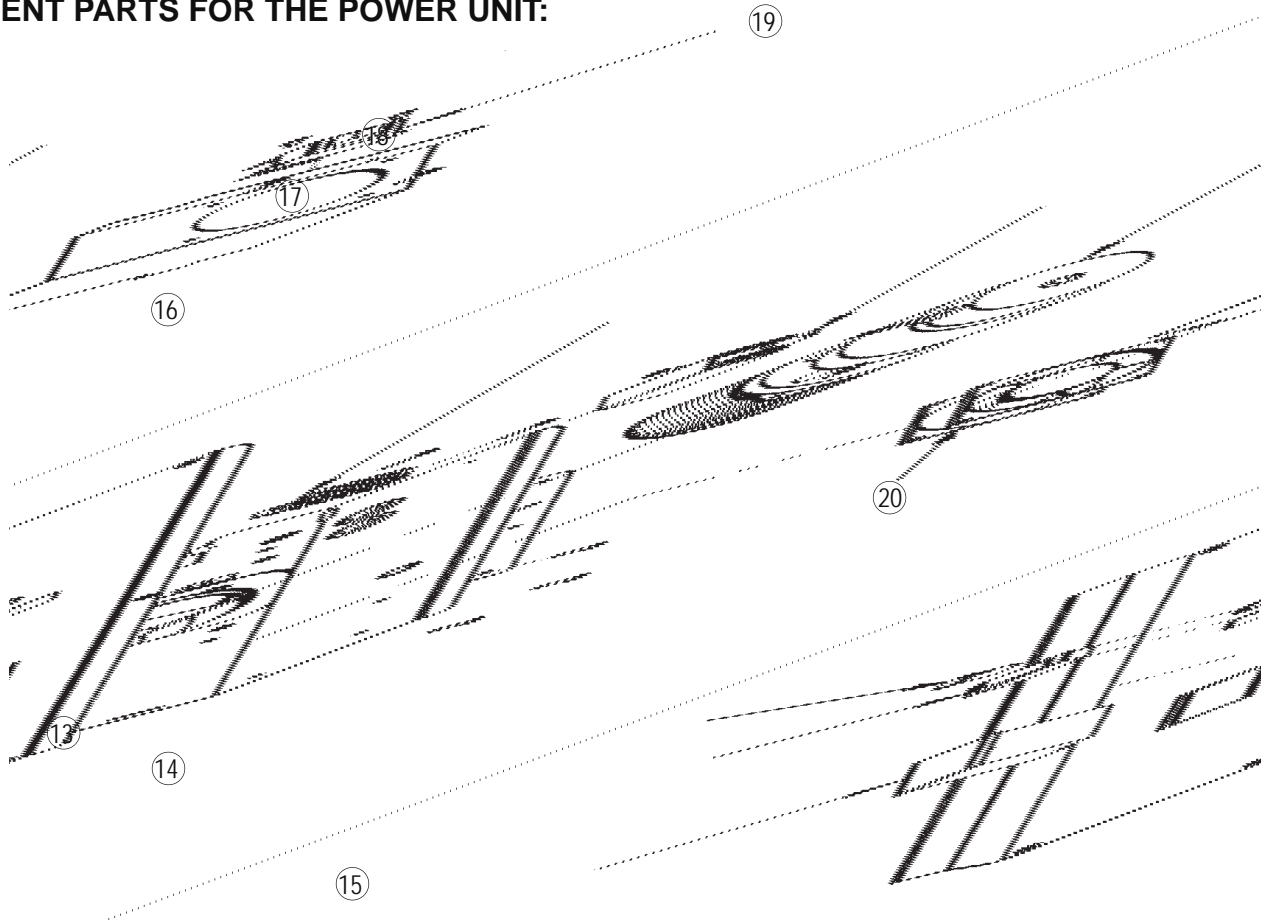


Companion Holding Cabinet	FL-2335-CLV
Rev. 0 (2/07)	Page 8 of 14

OPERATING and MAINTENANCE INSTRUCTIONS

Models: HCDH-20.20 Companion Holding Cabinet

REPLACEMENT PARTS FOR THE POWER UNIT:



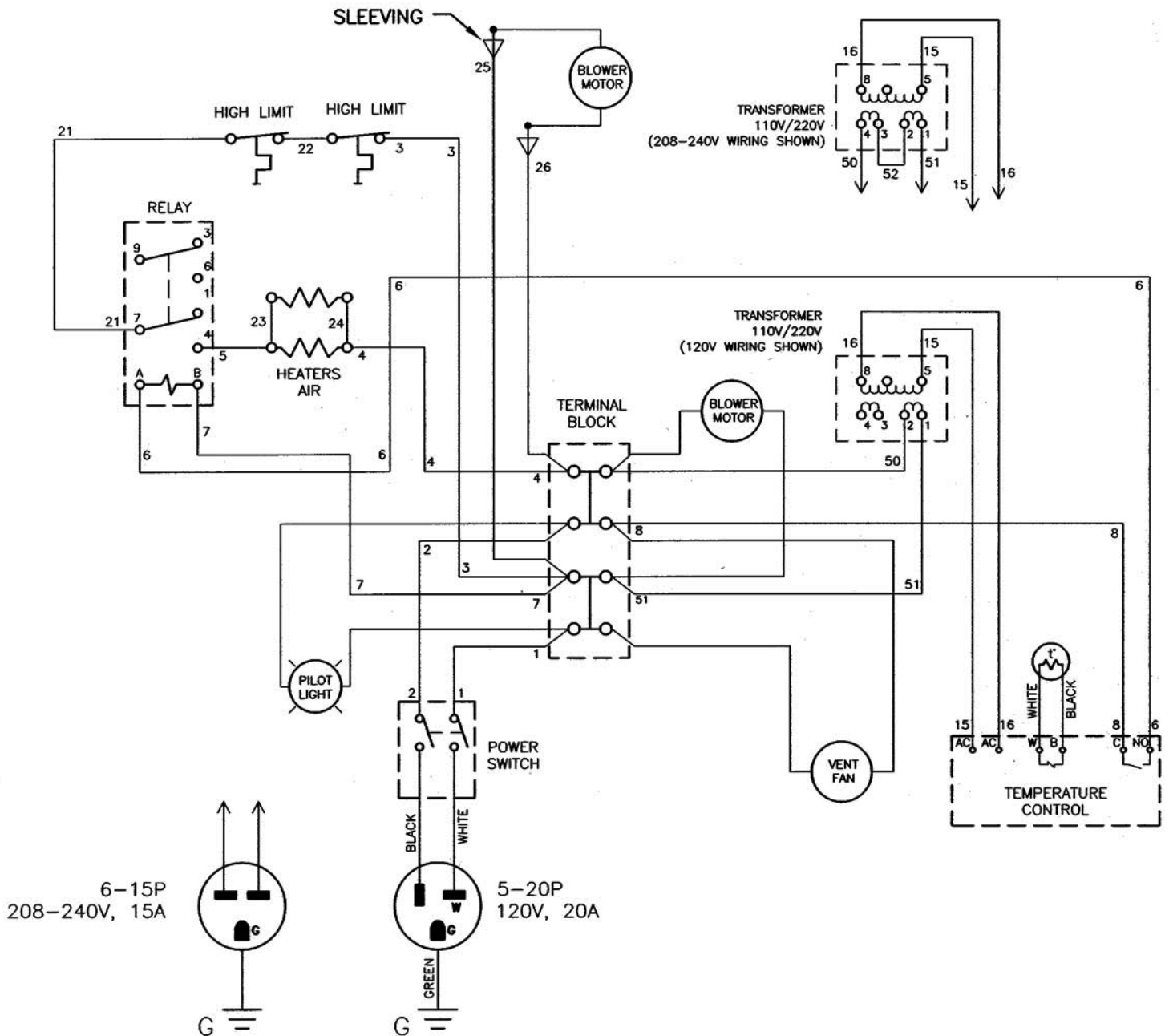
REPLACEMENT PARTS:

ITEM	DESCRIPTION	<u>120V</u>	<u>208V</u>	<u>240V</u>
	Power Unit	0675-071-CLV	0675-072-CLV	0675-072-CLV
13	Power Light	0766-094	0766-095	0766-095
14	Power Switch	0808-116	0808-116	0808-116
15	Temperature Control	0848-075-K-CLV	0848-075-K-CLV	0848-075-K-CLV
16	Terminal Block	0852-093	0852-093	0852-093
17	Relay	0857-130	0857-102	0857-102
18	Blower Kit	0769-180-01-SSK-CLV	0769-182-01-SSK-CLV	0769-182-01-SSK-CLV
19	Transformer <i>(used with control)</i>	0769-159	0769-159	0769-159
20	Vent Fan	0769-165	0769-174	0769-174

OPERATING and MAINTENANCE INSTRUCTIONS

Models: HCDH-20.20 Companion Holding Cabinet

WIRING DIAGRAM



Companion Holding Cabinet	FL-2335-CLV
Rev. 0 (2/07)	Page 10 of 14

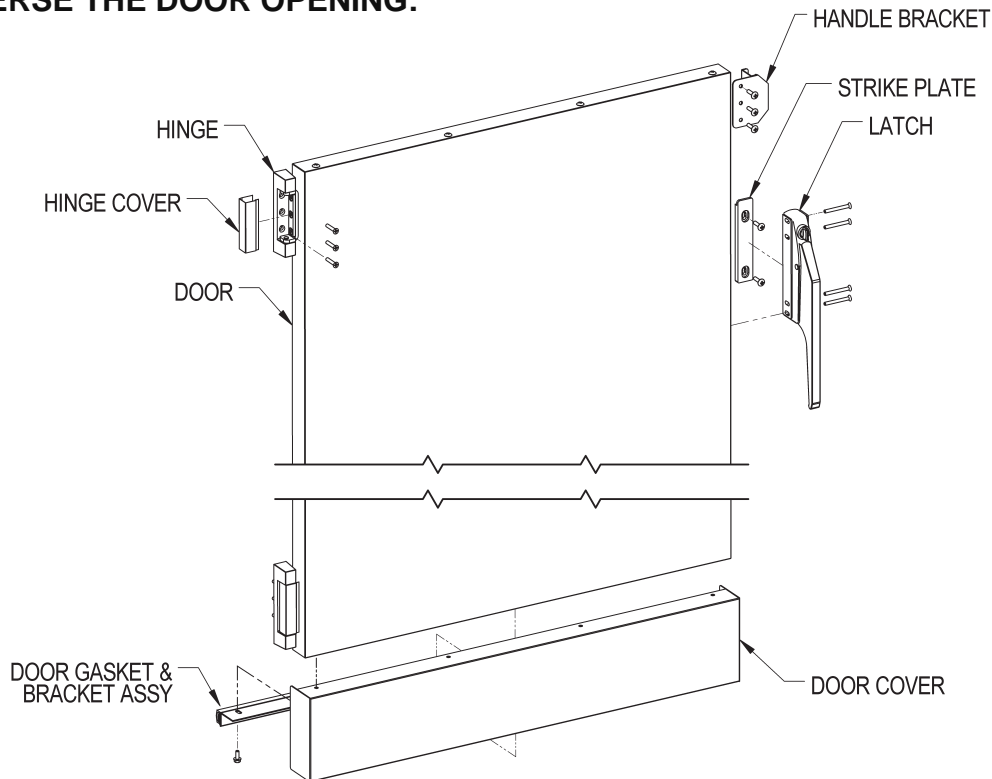


Cleveland Range, LLC
1333 East 179th Street
Cleveland, Ohio, 44110 U.S.A

OPERATING and MAINTENANCE INSTRUCTIONS

Models: HCDH-20.20 Companion Holding Cabinet

HOW TO REVERSE THE DOOR OPENING:



The doors on the HCDH2020 & HCWH2020 are shipped with the hinges on the left side of the cabinet as standard. The doors on the cabinet are large and may require additional help when changing the hinge direction. Allow the cabinet to cool if the cabinet has been in use.

1. Remove handle bracket and strike plates from cabinet and set aside.
2. Remove hinge covers and set aside.
3. Remove hex screws from door gasket bracket assembly and door cover and set aside.
4. Remove door(s) from cabinet, rotate door(s) 180° and install onto other side of cabinet. For dutch doors, install the bottom door onto the top position and install the top door onto the bottom position on the other side of the cabinet.
5. Remove screws on bottom of (lower) door and install onto top of (upper) door.
6. Install door gasket assembly and door cover onto bottom of (lower) door.
7. For single door, remove latch and rotate 180° and install onto holes on upper half of door. For dutch doors, it is not necessary to change latches.
8. Install handle bracket and strike plates onto other side of cabinet.
9. Adjust hinges, latch(es) and door gasket bracket assembly for proper door seal.
10. Install hinge covers.



Cleveland Range, LLC
 1333 East 179th Street
 Cleveland, Ohio, 44110 U.S.A



Companion Holding Cabinet	FL-2335-CLV
Rev. 0 (2/07)	Page 11 of 14

Cleveland STATEMENT OF POLICIES

LIMITED WARRANTY

CLEVELAND RANGE products are warranted to the original purchaser to be free from defects in material and work-manship under normal use and service for the standard warranty period of one year from date of installation or 18 months from date of shipment, which ever comes first.

CLEVELAND RANGE agrees to repair or replace, at its option, f.o.b. factory, any part which proves to be defective due to defects in material or workmanship during the warranty period, providing the equipment has been unaltered, and has been PROPERLY INSTALLED, MAINTAINED, AND OPERATED IN ACCORDANCE WITH THE CLEVELAND RANGE OWNER'S MANUAL.

CLEVELAND RANGE agrees to pay any FACTORY AUTHORIZED EQUIPMENT SERVICE AGENCY (within the continental United States, and Hawaii) for reasonable labor required to repair or replace, at our option, f.o.b. factory, any part which proves to be defective due to defects in material or workmanship, during the labor warranty period. This warranty includes travel time not to exceed two hours and mileage not to exceed 50 miles (100 miles round-trip), BUT DOES NOT INCLUDE POST START-UP, TIGHTENING LOOSE FITTINGS, MINOR ADJUSTMENTS, MAINTENANCE, CLEANING OR DESCALING.

The standard labor warranty allows factory payment of reasonable labor required to repair or replace such defective parts. Cleveland Range will not reimburse the expense of labor required for the repair or replacement of parts after the standard warranty period, unless an Extended Labor Warranty Contract has been purchased to cover the equipment for the balance of the warranty period from the date of equipment installation, start-up, or demonstration.

PROPER INSTALLATION IS THE RESPONSIBILITY OF THE DEALER, THE OWNER-USER, OR INSTALLING CONTRACTOR, AND IS NOT COVERED BY THIS WARRANTY. Many local codes exist, and it is the responsibility of the owner and installer to comply with these codes. Cleveland Range equipment is built to comply with applicable standards for manufacturers, including UL, A.G.A., NSF, ASME/Ntl. Bd., CSA, CGA, ETL, and others.

BOILER (Steam Generator) MAINTENANCE IS THE RESPONSIBILITY OF THE OWNER-USER AND IS NOT COVERED BY THIS WARRANTY. The use of good quality feed water is the responsibility of the Owner-User (see Water Quality Recommendations below). THE USE OF POOR QUALITY FEED WATER WILL VOID EQUIPMENT WARRANTIES. Boiler maintenance supplies, including boiler hand gaskets, are not warranted beyond the first 90 days after the date the equipment is placed into service. Preventive maintenance records must be available showing descaling per applicable Cleveland Operator Manual for Boiler Proration Program considerations.

WATER QUALITY RECOMMENDATIONS

TOTAL DISSOLVED SOLIDS	less than	60 parts per million
TOTAL ALKALINITY	less than	20 parts per million
SILICA	less than	13 parts per million
CHLORIDE	less than	30 parts per million
pH FACTOR	greater than	7.5

The foregoing shall constitute the sole and exclusive remedy of original purchaser and the full liability of Cleveland Range for any breach of warranty. THE FOREGOING IS EXCLUSIVE AND IN LIEU OF ALL OTHER WARRANTIES, WHETHER WRITTEN, ORAL, OR IMPLIED, INCLUDING ANY WARRANTY OF PERFORMANCE, MERCHANTABILITY, OR FITNESS FOR PURPOSE, AND SUPERSEDES AND EXCLUDES ANY ORAL WARRANTIES OR REPRESENTATIONS, OR WRIT-TEN WARRANTIES OR REPRESENTATIONS, NOT EXPRESSLY DESIGNATED IN WRITING AS A "WARRANTY" OR "GUARANTEE" OF CLEVELAND RANGE MADE OR IMPLIED IN ANY MANUAL, LITERATURE, ADVERTISING BROCHURE OR OTHER MATERIALS.

CLEVELAND RANGE'S liability on any claim of any kind, including negligence, with respect to the goods or services covered hereunder, shall in no case exceed the price of the goods or services, or part thereof, which gives rise to the claim. IN NO EVENT SHALL CLEVELAND RANGE BE LIABLE FOR SPECIAL, INCIDENTAL, OR CONSEQUENTIAL DAMAGES, OR ANY DAMAGES IN THE NATURE OF PENALTIES.

LIMITED EXTENDED WARRANTY COVERAGE

The purchase of a Limited Extended Warranty Contract extends the standard warranty coverage to the purchased period of time (one to two years) from the date of installation, start-up, or demonstration, whichever is sooner.

*An additional two years Parts and Labor Warranty can be purchased with each piece of Cleveland equipment for an additional 2% of the List Price per year. The 2% of list price charge will be the net invoice amount for each year of extended warranty purchased.

- Extended warranty must be purchased at the same time the equipment is purchased.
- Extended Warranty has the same exclusions as stated in our standard warranty.

Second year limited extended warranty coverage on Cleveland Steamers when purchased with a water filter applies to water related components only.

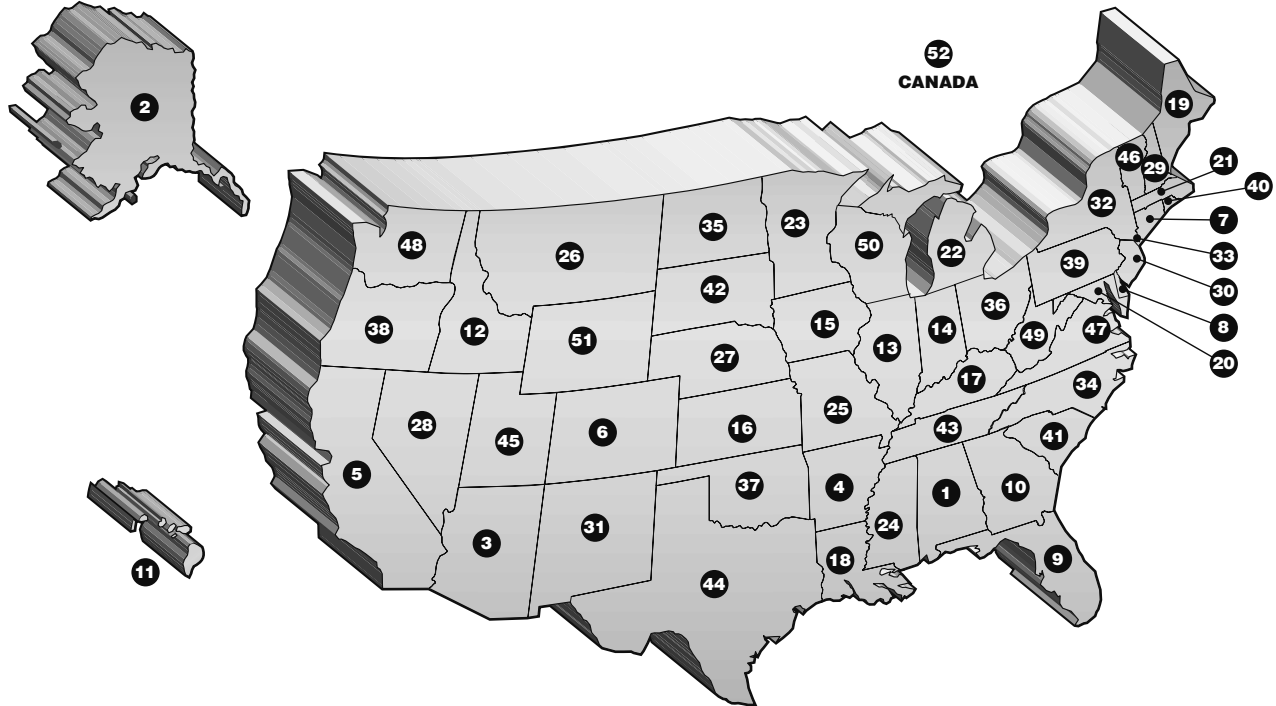
Companion Holding Cabinet	FL-2335-CLV
Rev. 0 (2/07)	Page 12 of 14



Cleveland Range, LLC
1333 East 179th Street
Cleveland, Ohio, 44110 U.S.A

AUTHORIZED SERVICE AGENCIES

The following is a listing of regional distributors of parts and service throughout the United States. Contact your nearest distributor for the name of an Authorized Service Agency in your area.



1 Alabama

Jones-McLeod Appliance Svc
1616 7th Avenue North, Birmingham, AL 35203
(205) 251-0159, (800) 821-1150
Fax: (205) 322-1440

2 Alaska

Restaurant Appliance Service
7219 Roosevelt Way NE, Seattle, WA 98115
(206) 524-8200, (800) 433-9390
Fax: (206) 525-2890

3 Arizona

Authorized Commercial Service
4832 South 35th Street, Phoenix, AZ 85040
(602) 234-2443, (800) 824-8875
Fax: (602) 232-5862

GCS Service Inc.
5052 South 40th Street, Phoenix, AZ 85040
(602) 470-4510, (800) 510-3497
Fax: (602) 470-4511

4 Arkansas

Bromley Parts & Service
10th and Ringo Street, Little Rock, AR 72202
(501) 374-0281, (800) 482-9269
Fax: (501) 374-8352

5 California

Commercial Appliance Parts
165 Commerce Circle, Suite B, Sacramento, CA 95815
(916) 567-0203, (800) 464-2222
Fax: (916) 567-0324

GCS Service, Inc.
1100 E. Pico Blvd, Los Angeles, CA 90021
(213) 683-2090, (800) 327-1433
Fax: (213) 683-2099

GCS Service, Inc.
9030 Kenamar Drive, Suite 313, San Diego, CA 92121
(858) 549-8411, (800) 422-7278
Fax: (858) 549-2323

GCS Service, Inc.

360 Littlefield Avenue, So. San Francisco, CA 94080
(650) 871-6693, (800) 969-4427
Fax: (650) 871-4019

Industrial Electric
5662 Engineer Drive, Huntington Beach, CA 92649
(714) 379-7100, (800) 457-3783
Fax: (714) 379-7109

P & D Appliance Service
100 South Linden Avenue
So. San Francisco, CA 94080
(650) 635-1900, (800) 424-1414
Fax: (650) 635-1919

6 Colorado

Hawkins Comm. Appl. Svc.
3000 South Wyandot, Englewood, CO 80110
(303) 781-5548, (800) 624-2117
Fax: (303) 761-8861

General Parts
4910 Fox Street, Denver, CO 80216,
(303) 308-1557

Metro Appliance Service
1640 South Broadway, Denver, CO 80210
(303) 778-1126, (800) 525-3532
Fax: (303) 778-0268

7 Connecticut

GCS Service, Inc.
302 Murphy Road, Hartford, CT 06114
(860) 549-5575, (800) 423-1562
Fax: (860) 527-6355

Superior Kitchen Service
300 Murphy Rd, Hartford, CT 06114
(617) 389-1899
(888) 590-1899
Fax: (617) 389-1996

8 Delaware

Electric Motor Repair
104 E Scotland Drive, Bear, DE 19701
(302) 834-5292, (888) 687-8080
Fax: (302) 834-5596

Elmer Schultz Services

36 Belmont Ave, Wilmington, DE 19804
(302) 655-8900, (800) 225-0599
Fax: (302) 656-3673

9 Florida

BGSI
3121 N.W. 16th Terrace, Pompano Beach, FL 33064
(954) 971-0456, (800) 225-0200
Fax: (954) 977-7317

Commercial Appliance Service
8416 Laurel Fair Circle, Building 6, Suite 114
Tampa, FL 33610
(813) 663-0313, (800) 282-4718
Fax: (813) 663-0212

GCS Service, Inc.
3373 N.W. 168th Street, Miami, FL 33056
(305) 621-6666, (800) 766-8966
Fax: (305) 621-6656

Nass Parts & Service Inc.
1108 South Woods Ave
Orlando, FL 32805-3893
(407) 425-2681, (800) 432-2795
Fax (407) 425-3463

Whaley Food Service
8421 Atlantic Blvd.
Jacksonville FL 32211-8737
(904) 725-7800
Fax (904) 725-5025

10 Georgia

GCS Service Inc.
3127 Presidential Drive, Atlanta, GA 30340
(770) 452-7322, (800) 234-3599
Fax: (770) 452-7473

Whaley Food Service
2909 Langford Road B-800
Norcross, GA 30071-4763
(678) 243-7973, (800) 877-2662
Fax: (678) 243-7974

Heritage Service Group of Atlanta
2100 Norcross, GA 30071
(770) -368-1465
Fax: (770) 368-2044



Cleveland Range, LLC
1333 East 179th Street
Cleveland, Ohio, 44110 U.S.A

Companion Holding Cabinet	FL-2335-CLV
Rev. 0 (2/07)	Page 13 of 14

11 Hawaii

Food Equipment Parts & Svc.
300 Puuhale Road, Honolulu, HI 96819
(808) 847-4871
Fax: (808) 842-1560

12 Idaho

Ron's Service
703 E. 44th Suite 10, Boise, ID 83714
(208) 375-4073, (800) 851-4118
Fax: (208) 375-4402

13 Illinois

Cones Repair Service
2408 40th Avenue, Moline, IL 61265
(309) 797-5323, (800) 716-7070
Fax: (309) 797-3631

Eichenauer Services
130 South Oakland Ave., Decatur, IL 62522
(217) 429-4229, (800) 252-5892
Fax: (217) 429-0226

GCS Service, Inc.
696 N. Larch Avenue, Elmhurst, IL 60126
(630) 941-7800, (800) 942-9686
Fax: (630) 941-6048

General Parts
248 James St. Bensenville, IL 60106
(630) 595-3300, (800) 880-3604
Fax: (630) 595-0006

14 Indiana

GCS Service Inc.
5310 East 25th Street, Indianapolis, IN 46218
(317) 545-9655, (800) 727-8710
Fax: (317) 549-6286

General Parts
6238 Lapas Trail, Indianapolis, IN 46268
(317) 290-8060, (800) 410-9794
Fax: (317) 290-8085

15 Iowa

Goodwin Tucker Group
935 33rd Avenue SW, Cedar Rapids, IA 50204
(316) 365-1311, (866) 365-1552
Fax: 866-365-1551

16 Kansas

General Parts
8200 E 34th Street North, Bldg. 1800 Suite 1803
Wichita, KS 67226
(316) 315-0044, (800) 279-9980
Fax: (316) 315-0660

GCS Service, Inc.
6107 Connecticut, Kansas City, MO 64120
(816) 920-5999, (800) 229-6477
Fax: (816) 920-7387

17 Kentucky

Certified Service Center
890 Redna Terrace, Cincinnati, OH 45215-1111
(513) 772-6600, (800) 543-2060
Fax: (513) 612-6600

18 Louisiana

Chandlers Parts and Service
11656 Darryl Drive, Baton Rouge, LA 70815
(225) 272-6620, (800) 349-8888
Fax: (225) 272-7168

19 Maine

Pine Tree Food Equipment
175 Lewiston Rd. P.O. Box 618
Gray, ME 04039
(207) 657-6400, (800) 540-5427
Fax (207) 657-5464

20 Maryland

Electric Motor Repair
700 East 25th Street, Baltimore, MD 21218
(410) 467-8080, (800) 879-4994
Fax: (410) 467-4191

GCS Service, Inc.
2660 Pittman Drive, Silver Springs, MD 20910
(301) 585-7550, (800) 638-7278
Fax: (301) 495-4410

21 Massachusetts

GCS Service, Inc.
180 Second Street, Chelsea, MA 02150-0007
(617) 889-9393, (800) 225-1155
Fax: (617) 889-1222

Superior Kitchen Service
399 Ferry Street, Everett, MA 02149
(617) 389-1899, (888) 590-1899
Fax: (617) 389-1996

22 Michigan

Bildon Appliance Parts & Service
32731 W. Eight Mile Rd.
Livonia, MI 48152-1302
(248) 478-3320, (800) 292-9898
Fax (248) 478-3801

GCS Service, Inc.
31829 W. Eight Mile Road, Livonia, MI 48152
(248) 426-9500, (800) 772-2936
Fax: (248) 426-7550

23 Minnesota

GCS Service Inc.
2857 Louisiana Ave. North, Minneapolis, MN 55427
(763) 546-4221, (800) 345-4221
Fax: (763) 546-4286

General Parts
11311 Hampshire Avenue South,
Bloomington, MN 55438-2456
(952) 944-5800, 800-279-9980
Fax: 612-996-9301

24 Mississippi

GCS
108 Distribution Drive Suite A, Richland, MS 39218
(601) 956-7800, (800) 274-5954
Fax: (601) 956-1200

25 Missouri

GCS Service, Inc.
6107 Connecticut, Kansas City, MO 64120
(816) 920-5999, (800) 229-6477
Fax: (816) 920-7387

GCS Service, Inc.
9722 Reavis Park Drive, St. Louis, MO 63123
(314) 638-7444, (800) 284-4427
Fax: (314) 638-0135

General Parts
1101 E. 13th Street, Kansas City, MO 64106
(816) 421-5400, (800) 279-9967
Fax: (816) 421-1270

Kaemmerlin Parts & Service
1539 S. Kingshighway
St. Louis, MO 63110
(314) 535-2222, (800) 325-8381
Fax (314) 535-6205

26 Montana

Restaurant Appliance Service
7219 Roosevelt Way NE, Seattle, WA 98115
(206) 524-8200, (800) 433-9390
Fax: (206) 525-2890

27 Nebraska

Goodwin/Tucker Group, Inc.
815 North 19th Street, Omaha, NE 68102
(402) 345-7400, (800) 228-0342
Fax: (402) 346-6145

28 Nevada

Burney's Commercial Service
4480 Aldebaran Avenue, Las Vegas, NV 89103
(702) 736-0006, (800) 736-1989
Fax: (702) 798-7531

GCS
3585 E. Patrick Lane, Las Vegas, NV 89120
(800) 500-9060

Hi-Tech Commercial Service
1840 Stella Lake Street
N. Las Vegas, NV 89106
(702) 649-4616, (877) 924-4832
Fax: (702) 649-4607

29 New Hampshire

Casco Food Equipment Service
32 Liberty Street, Allentown, NH 03275
(603) 268-0606, (800) 660-2058
Fax: (603) 268-0496

30 New Jersey

American Kitchen Machines
204 Quarry Street, Philadelphia, PA 19106
(215) 627-7760, (800) 848-7760
Fax: (215) 627-2554

Elmer Schultz Service
540 North Third Street, Philadelphia, PA 19123
(215) 627-5400, (800) 762-7906
Fax: (215) 627-1638

Jay-Hill Repairs
90 Clinton Road
Fairfield, NJ 07004
(973) 575-9145
(908) 780-1411, (800) 836-0643
Fax: (973) 575-5890

31 New Mexico

Hawkins Comm. Appl. Svc.
3000 South Wyandot, Englewood, CO 80110
(303) 781-5548, (800) 624-2117
Fax: (303) 761-8861

32 New York

Action Commercial Service, Inc.
45 S. Fagan Ave.
Schenectady, NY 12304
(518) 377-0911, (800) 659-8657
Fax (518) 377-1704

Appliance Installation & Service
1336 Main Street, Buffalo, NY 14209
(716) 884-7425, (800) 722-1252
Fax: (716) 884-0410

Buffalo's Expert Service Technicians, Inc.
3003 Genessee Street.
Buffalo, NY 14225
(716) 893-6464, (800) 338-5011
Fax (716) 893-6466

Duffy's Equipment Services
3138 Oneida Street, Sauquoit, NY 13456
(315) 737-9401, (800) 836-1014
Fax: (315) 737-7132

Northern Parts Distributors
21 Northern Ave, Plattsburgh, NY 12903
(518) 563-3200, (800) 634-5005
Fax: (518) 563-3219

33 New York City

Acme American Repairs
99 Scott Avenue, Brooklyn, NY 11237
(718) 456-6544, (800) 221-3026
Fax: (718) 366-5359

All Island Repair Company, Inc.
40-09 Burt Drive
Deer Park, NY 11729
(631) 242-5588, (800) 232-9411
Fax (631) 242-6102

All Service Kitchen Equipment Repair -
Div. of Day & Night Refrigeration
10 Charles Street
New Hyde Park, NY 11040
(516) 378-1176, (718) 528-7777
Fax: (516) 378-1735

Alpro Service Co., Inc.
1127 Willoughby Ave.
Brooklyn, NY 11237
(718) 386-2515, (800) 942-5776
Fax (718) 417-6380

GCS Service, Inc.
932 Grand Street, Brooklyn, NY 11211
(718) 486-5220, (800) 969-4271
Fax: (718) 486-6772

34 North Carolina

Whaley Food Service
8334-K Arrowridge Blvd, Charlotte, NC 28273
(704) 529-6242, (800) 877-2662
Fax: (704) 529-1558

35 North Dakota

General Parts
10 S 18th Street, Fargo, ND 58103
(701) 235-4161, (800) 279-9987
Fax: (701) 235-0539

Companion Holding Cabinet	FL-2335-CLV
Rev. 0 (2/07)	Page 14 of 14



Cleveland Range, LLC
1333 East 179th Street
Cleveland, Ohio, 44110 U.S.A

36 Ohio

Certified Service Center

890 Redna Terrace , Cincinnati, OH 45215-1111
(513) 772-6600, (800) 543-2060
Fax: (513) 612-6600

Commercial Parts & Service

1150 West Mound Street, Columbus, OH 43223-2295
(614) 221-0057, (800) 837-8327
Fax: (614) 221-3622

Electrical Appliance Repair

5805 Valley Belt Road, Cleveland, OH 44131
(216) 459-8700, (800) 621-8259 (OH)
Fax: (216) 459-8707

GCS Service Inc.

2830 Johnstown Road, Columbus, OH 43219
(614) 476-3225, (800) 282-5406
Fax: (614) 476-1196

37 Oklahoma

Hagar Restaurant Eqpt. Service

1229 West Main, Oklahoma City, OK 73106
(405) 235-2184, (800) 445-1791
Fax: (405) 236-5592

38 Oregon

Ron's Service

16364 S. W. 72nd Street, Portland, OR 97224
(503) 624-0890, (800) 851-4118
Fax: (503) 684-6107

39 Pennsylvania

A.I.S. Commercial Parts & Service of Pittsburgh

740 Vista Park Drive
Pittsburgh, PA 15205
(412) 809-0244
(800) 726-6020
Fax: (412) 809-0246

American Kitchen Machines

204 Quarry Street, Philadelphia, PA 19106
(215) 627-7760, (800) 848-7760
Fax: (215) 627-2554

Elmer Schultz Service

540 North Third Street, Philadelphia, PA 19123
(215) 627-5400, (800) 762-7906
Fax: (215) 627-1638

GCS Service

210 Vista Parke , Pittsburgh, PA 15205
(412) 787-1970, (800) 738-1221
Fax: (412) 787-5005

GCS Service Inc.

PO Box 3564, 817 North 3rd Street
Philadelphia, PA 19123
(215) 925-6217, (800) 441-9115
Fax: (215) 925-6208

K & D Service

1833-41 North Cameron Street
Harrisburgh, PA 17103
(717) 236-9039, (800) 932-0503
Fax: (717) 238-4367

40 Rhode Island

Superior Kitchen Service

669 Elmwood Avenue, Providence, RI 02903
(888) 590-1899, Fax: (617) 389-1996

41 South Carolina

Whaley Food Service

137 Cedar Rd., Lexington, SC 29073
(803) 996-9900, (800) 877-2662
Fax: (803) 996-9910

42 South Dakota

General Parts

10 S 18th Street, Fargo, ND 58103
(701) 235-4161, (800) 279-9987
Fax: (701) 235-0539

43 Tennessee

ATECH, Inc.

424 6th Ave., S.
Nashville, TN 37210
(615) 255-2002, (800) 700-9192
Fax: (615) 255-2698

Fesco (Food Equipment Services Company)

1209 S. Watkins Street
PO Box 15082
Chattanooga, TN 37415
(423) 870-4552, (800) 727-8447
Fax: (423) 624-3381

GCS Service Inc.

3717 Cherry Road, Memphis, TN 38118
(901) 366-4587, (800) 262-9155
Fax: (901) 366-4588

GCS Service Inc.

748 Fesslers Lane, Nashville, TN 37210
(615) 244-8050, (800) 831-7174
Fax: (615) 244-8885

Henry T. Smith Co., Inc.

588 South. Cooper St.
Memphis, TN 38104
(901) 274-7589, (800) 228-8496
Fax (901)272-3909

44 Texas

Armstrong Repair Center

5110 Glenmont, Houston, TX 77081
(713) 666-7100, (800) 392-5325
Fax: (713) 666-2429

Commercial Kitchen Repair Co.

1377 North Brazos, San Antonio, TX 78207
(210) 735-2811, (800) 292-2120
Fax: (210) 735-7421

GCS Service Inc.

10850 Sanden Drive, Dallas, TX 75238
(972) 484-2954, (800) 442-5026
Fax: (214) 340-6658

GCS Service Inc.

8150 Westpark Drive, Houston, TX 77063
(713) 785-9187, (800) 868-6957
Fax: (713) 785-3979

Stove Parts Supply Co.

2120 Solona Street, Ft. Worth, TX 76117
(817) 831-0381, (800) 433-1804
Fax: (817) 834-7754

45 Utah

GCS Service Inc.

3683 West 2270 South, Suite D,
Polk Building, Salt Lake City, UT 84120
(801) 487-3653, (800) 955-9201
Fax: (801) 463-6148

La Monica Restaurant Eqpt Svc

6182 South Stratler, Murray, UT 84107
(801) 263-3221, (800) 527-2561
Fax: (801) 263-3229

46 Vermont

Northern Parts Distributors

21 Northern Ave, Plattsburgh, NY 12903
(518) 563-3200, (800) 634-5005
Fax: (518) 563-3219

47 Virginia

Daubers Inc.

5255 Henneeman Drive, Norfolk, VA 23513
(757) 855-4097, (800) 880-7775
Fax: (757) 855-1795

Daubers Inc.

7645 Dynatech Court, Springfield, VA 22153
(703) 866-3600, (800) 554-7788
Fax: (703) 866-4071

GCS Service, Inc.

2421 Grenoble Road, Richmond, VA 23294
(804) 672-1700, (800) 899-5949
Fax: (804) 672-2888

Restaurant Equipment Parts and Service

233 1st Colonial Rd. St. 123
Virginia Beach, VA 23454
(757) 425-5038, (800) 262-0802
Fax (757) 425-5955

48 Washington

Restaurant Appliance Service

7219 Roosevelt Way NE, Seattle, WA 98115
(206) 524-8200, (800) 433-9390
Fax: (206) 525-2890

49 West Virginia

State Wide Service

603 Main Avenue, Nitro, WV 25143
(304) 755-1811, (800) 441-9739
Fax: (304) 755-4001

50 Wisconsin

General Parts of Wisconsin

West 223 North 735 Saratoga Dr.
Waukesha, WI 53186
(262) 650-6666, (800) 279-9976
Fax: (262) 650-6660

51 Wyoming

Hawkins Comm. Appl. Svc.

3000 South Wyandot, Englewood, CO 80110
(303) 781-5548, (800) 624-2117
Fax: (303) 761-8861

Metro Appliance Service

1640 South Broadway, Denver, CO 80210
(303) 778-1126, (800) 525-3532
Fax: (303) 778-0268

52 Canada

Garland Commercial Ranges,

1177 Kamato Road
Mississauga, Ontario L4W 1X4, Canada
(905) 624-0260, (800) 427-6668
Fax: (905) 624-5669
www.garland-group.com