

**OPERATING and MAINTENANCE INSTRUCTIONS**  
**Models: H137WSRR-C Series Companion Holding Cabinet**



**Models: H137WSRRC2020 SERIES for use with Convotherm C2020 Roll-In Rack (not included).**

Cabinet model number: \_\_\_\_\_

Cabinet serial number: \_\_\_\_\_

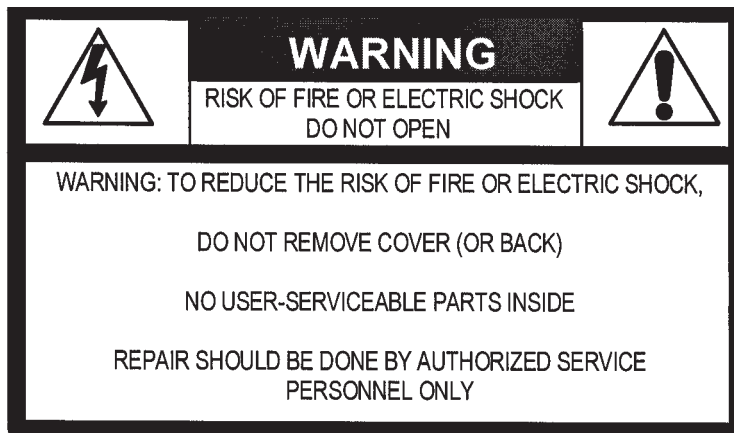
Authorized Service Agency: \_\_\_\_\_

Ph: \_\_\_\_\_ Fax: \_\_\_\_\_

Keep this manual for future reference.

## TABLE OF CONTENTS

SUBJECT	PAGE
INSTALLATION INSTRUCTIONS.....	2
Illustration (Leg Adjustment), Figure 1.....	2
Illustration (Drain Valve), Figure 2.....	2
OPERATING INSTRUCTIONS.....	3
Illustration (Control Panel), Figure 3.....	3
MAINTENANCE INSTRUCTIONS	
How to Clean the Unit.....	4
Trouble Shooting Guide.....	5
Replacement Parts (Cabinet).....	6
Illustration (Cabinet Parts).....	7
Replacement Parts (Power Unit).....	8
Wiring Diagram.....	9
How to Reverse the Door Opening.....	10

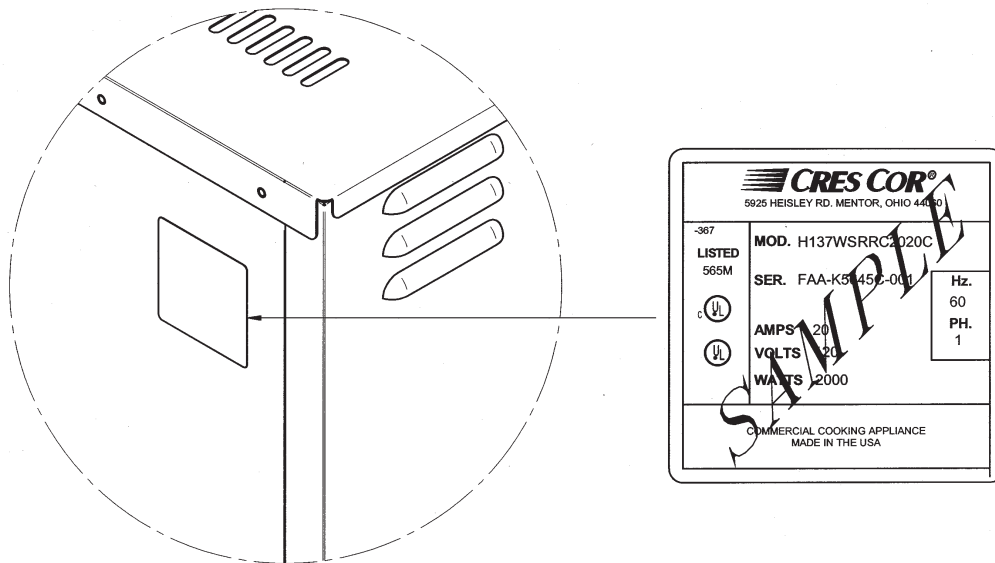


## OPERATING and MAINTENANCE INSTRUCTIONS

### Models: H137WSRR-C Series Companion Holding Cabinet

#### IDENTIFYING YOUR CABINET:

Look for this label on the back of your cabinet. This information is needed when calling for questions or service.



UPPER RIGHT CABINET CORNER

#### ELECTRICAL SPECIFICATIONS:

Model No.	Volts	Watts	Amps	Hertz	Phase	NEMA
HCWH2020	120	1920	16.0	60	1	5-20P
HCWH2020208	208	2000	10.0	60	1	6-15P
HCWH2020240	240	2000	8.6	60	1	6-15P

**Note:** The above model numbers are basic models. They may be followed by letters: L, M, 2M, D, or ending with S.

Companion Holding Cabinet	<b>FL-2330</b>
Rev. 0 (2/07)	Page 2 of 10

## OPERATING and MAINTENANCE INSTRUCTIONS

### Models: H137WSRR-C Series Companion Holding Cabinet

#### HOW TO INSTALL UNIT:

1. Remove all paper and packing material from inside of cabinet.
2. Remove protective paper and vinyl material from outside surfaces of cabinet.
3. Place the cabinet in a well-ventilated area.
4. Place cabinet on level floor. (For cabinets with legs, adjust the legs of the cabinet to ensure proper fit of rack into cabinet. See Fig. 1)
5. Plug cord end into proper wall outlet.
6. Fill water pan with 4 gallons (15 liters) of water. Make sure green drain valve is closed. See Figure 2.

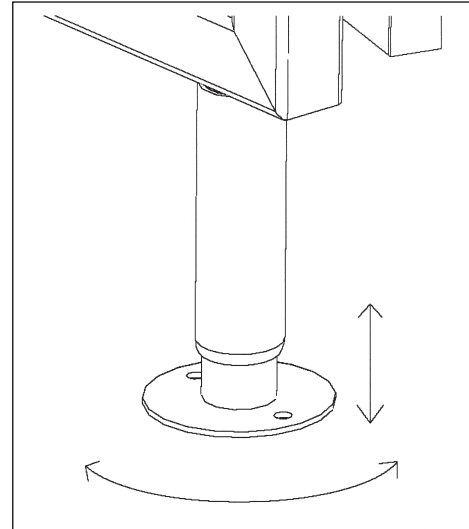


Figure 1 Leg Adjustment



**Use of treated or soft water may be required for proper operation and to maintain warranty.**

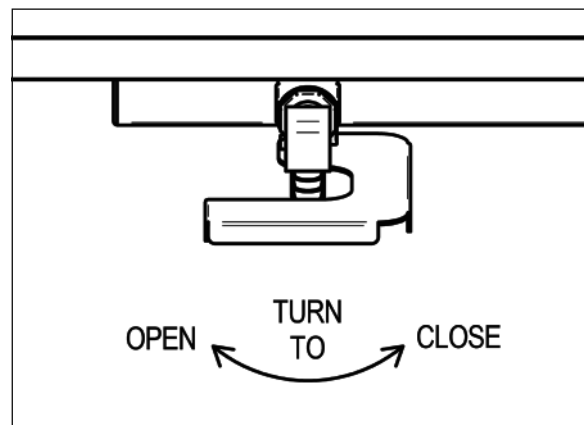
7. Push POWER switch to “ON.” Yellow POWER LIGHT will come on.
8. Push the “SET” button on the TEMPERATURE CONTROL. The TEMPERATURE DISPLAY will show “SP1” (set point 1).
9. Press “SET” again and the current set point temperature will be displayed.
10. Press the ▲▼ ADJUST buttons to adjust to 200°F (93°C).
11. Run the unit for one hour.

**NOTE: DO NOT PUT FOOD IN CABINET!**

This step is to burn off manufacturing oils and excess adhesive.



**Air is VERY HOT when door is opened.**



**DRAIN VALVE SHOWN OPEN;  
TURN COUNTER-CLOCKWISE TO CLOSE**

Figure 2 Drain Valve

12. Let the cabinet cool and wipe inside clean with detergent and hot water before first use.

## OPERATING and MAINTENANCE INSTRUCTIONS

### Models: H137WSRR-C Series Companion Holding Cabinet

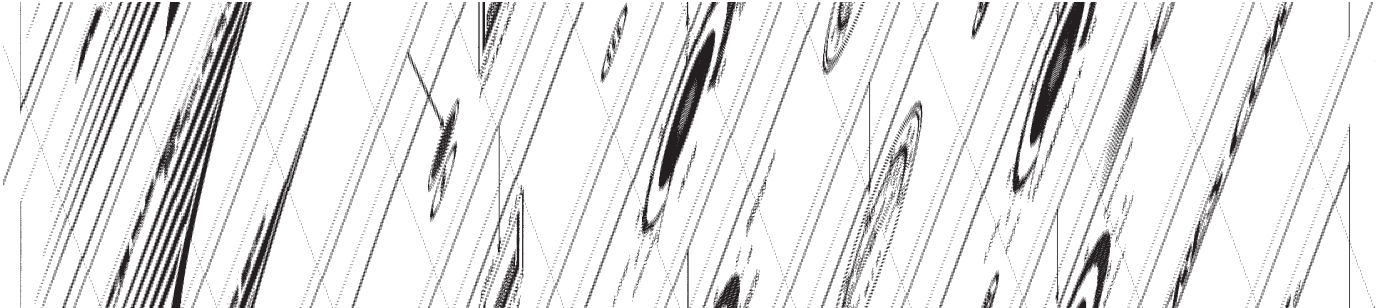


Figure 3

#### HOW TO HOLD:

1. No water is needed in pan.
2. Push POWER switch to “ON.” Yellow POWER LIGHT will come on.
3. Push the “SET” button on the TEMPERATURE CONTROL. The TEMPERATURE DISPLAY will show “SP1” (set point 1).
4. Press “SET” again and the current set point temperature will be displayed.
5. Press the ▲▼ ADJUST buttons to adjust to the desired temperature.
6. Press “SET” to save the temperature setting.
7. Preheat cabinet for 45 minutes.
8. Put product into cabinet.

#### HOLD WITH HUMIDITY:

1. Fill water pan with HOT water.
2. Push POWER switch to “ON.” Yellow POWER Light will come on.
3. Push the “SET” button on the TEMPERATURE CONTROL. The TEMPERATURE DISPLAY will show “SP1” (set point 1).
4. Press “SET” again and the current set point temperature will be displayed.
5. Press the ▲▼ ADJUST buttons to adjust to the desired temperature.
6. Press “SET” to save the temperature setting.
7. Turn the “HUMIDITY” thermostat to No. 9.
8. Preheat for 45 minutes.
9. Turn “AIR” thermostat to desired temperature. (See thermostat settings below.)
10. Put product into cabinet

**NOTES:** Proper food holding temperature is 140°F/60°C or higher.



**WARNING** Air is VERY HOT when door is opened.

#### SOME TYPICAL THERMOSTAT SETTINGS:

Thermostat Setting		Result		Thermostat Setting		Result	
Air	Humidity	Cab. Temp.	Humidity	Air	Humidity	Cab. Temp	Humidity
150° F	Off	150° F	N/A	160°F	Med	160°F	50%
175°F	Off	175° F	N/A	160°F	High	160°F	95%
200°F	Off	200° F	N/A	170°F	Low	170°F	15%
				170°F	Med	170°F	35%
100°F	3½	100°F	98%	170°F	High	170°F	85%
				170°F	Max	170°F	90%
150°F	Low	115° F	98%	200°F	Low	200°F	7%
150°F	Med	150° F	95%	200°F	Med	200°F	15%
150°F	High	150° F	95%	200°F	High	200°F	40%
160°F	Low	160° F	30%				

**Note:** These settings are based on laboratory conditions and may differ from conditions at point of use. Experiment with the settings to determine what is best for your application.

Companion Holding Cabinet	<b>FL-2330</b>
Rev. 0 (2/07)	Page 4 of 10

## OPERATING and MAINTENANCE INSTRUCTIONS

### Models: H137WSRR-C Series Companion Holding Cabinet

#### MAINTENANCE: WATER PAN

Drain, wipe and fill water pan daily. (Clear vinyl drain hose is provided.)

1. Push hose onto drain nozzle under the base.
2. Turn knob to open the drain.

#### MAINTENANCE: CABINET

1. Wipe the inside of cabinet after daily use.
2. Leave doors slightly open to fully dry interior.



**Delime or descale water pan parts as required, to prevent damaging build-up.**

**WARRANTY COVERAGE MAY BE AFFECTED WITHOUT PROPER CLEANING.**



**BEFORE cleaning the cabinet: Unplug cord from wall.**

**Do NOT hose cabinet with water.**

**Do NOT get water on controls.**

**Do NOT use abrasives or harsh chemicals.**

#### Cleaning hints:

1. Wipe up spills as soon as possible.
2. Clean cabinet regularly to avoid heavy dirt build-up.
3. Make a test spot with cleaner.
4. Follow manufacturer's directions on cleaner.
5. Do not mix cleaners.
6. Avoid drips and splashes

#### HOW TO CLEAN THE UNIT:

	Soil	Cleaner	Method
CABINET Inside and Outside (Stainless Steel)	ROUTINE CLEANING	Soap, Ammonia, or mild *detergent and water.	1. Sponge on with cloth. 2. Rinse with water. 3. Wipe dry.
	STUBBORN SPOTS AND STAINS	Mild abrasive made for stainless steel.	1. Apply with damp sponge or cloth. 2. Rub lightly.
	BURNT-ON FOODS OR GREASE	Chemical oven cleaner for stainless steel.	Follow oven cleaner manufacturer's directions.
	HARD WATER SPOTS and SCALE	Vinegar	1. Swab or wipe with cloth. 2. Rinse and dry.

*\*Mild detergents include soaps and non-abrasive cleaners.*



5925 Heisley Road • Mentor, OH 44060-1833

Companion Holding Cabinet	<b>FL-2330</b>
Rev. 0 (2/07)	Page 5 of 10

## OPERATING and MAINTENANCE INSTRUCTIONS

### Models: H137WSRR-C Series Companion Holding Cabinet

#### TROUBLE-SHOOTING CHART:

FAILURE	POSSIBLE CAUSE
1. <i>Yellow</i> light at switch does NOT light.	1a. Switch is “OFF”. 1b. Cord unplugged from wall outlet. 1c. Circuit breaker/fuse to wall outlet blown.
2. Unit does not heat.	2a. Temperature Control set too low. 2b. Switch is “OFF”.
3. No humidity in cabinet.	3a. Humidity Thermostat set too low. 3b. No water in water pan.
4. Unit gets too hot or won’t shut off.	4a. Defective electrical parts. <b>UNPLUG UNIT FROM WALL OUTLET.</b>
5. Blower does not work or makes noise.	5a. Defective blower.
6. GFCI device trips.	6a. The insulation inside the heating elements may have absorbed some moisture. This may have occurred if the cabinet has not been used for a long period of time or during shipping and storage of the cabinet. Drain the water pan if needed. Plug the cabinet into a non-GFCI outlet and set the Temperature Control to 200° (93°C). Let the cabinet run for about 1 hour to dry out the heating elements from any moisture may have been absorbed. If the circuit breaker trips, turn off cabinet, remove cord from power source, and call the Factory Authorized Service Agent. After drying the heating elements, plug cabinet into the GFCI receptacle; the cabinet should run properly. If the GFCI trips, call the factory Authorized service agent.

GFCI (ground-fault circuit interrupter): A GFCI receptacle is a device that de-energizes a circuit when it detects an unsafe flow of current to ground. The intention of a GFCI device is to minimize the potential for an electrical shock

*If cause is none of the above, refer to our list of Authorized Service Agencies.*

Companion Holding Cabinet	<b>FL-2330</b>
Rev. 0 (2/07)	Page 6 of 10



## OPERATING and MAINTENANCE INSTRUCTIONS

### Models: H137WSRR-C Series Companion Holding Cabinet

#### CABINET REPLACEMENT PARTS:

ITEM DESCRIPTION	<u>120V</u>	<u>208V</u>	<u>240V</u>
1 Heater Kit, Air, 1000 Watts each	0811-074	0811-074-02	0811-074-01
2 High Limit	0848-060	0848-060	0848-060
3 Power Cord	0810-065-10	0810-039-02	0810-039-02
4 Heater Kit, Water, 2000 Watts	0811-271	0811-271	0811-271
5 Drain Valve	0898-015	0898-015	0898-015
6 Thermostat Probe Kit (probe only)	0848-008-3-ACK	0848-008-3-ACK	0848-008-3-ACK
7 Power Unit (See Page 8)	0675-069	0675-070	0675-070
8 Door - full, solid	1221-557-K		
-full, w/window	1221-558-K		
-half, solid, top LH, bottom, RH	1221-560-K		
-half, solid, bottom LH, top, RH	1221-559-K		
-half, window, top LH, bottom, RH	1221-561-K		
-half, window, bottom LH, top, RH	1221-562-K		
9 Gasket Kit, Body	0861-175		
10 Gasket Kit, Door	0861-265		
11 Hinge Kit	0519-074-K		
12 Latch Kit	1006-122-01-K		
13 Tunnel	0546-141		
14 Cover, Water Pan	0761-020		
15 Handle, Drain Valve	0911-095		
16 Leg, Adjustable	1206-070		
17 Handle, Pull	0911-102		



Companion Holding Cabinet	<b>FL-2330</b>
Rev. 0 (2/07)	Page 7 of 10

**OPERATING and MAINTENANCE INSTRUCTIONS**  
**Models: H137WSRR-C Series Companion Holding Cabinet**

**CABINET REPLACEMENT PARTS:**

Companion Holding Cabinet	<b>FL-2330</b>
Rev. 0 (2/07)	Page 8 of 10



## OPERATING and MAINTENANCE INSTRUCTIONS

### Models: H137WSRR-C Series Companion Holding Cabinet

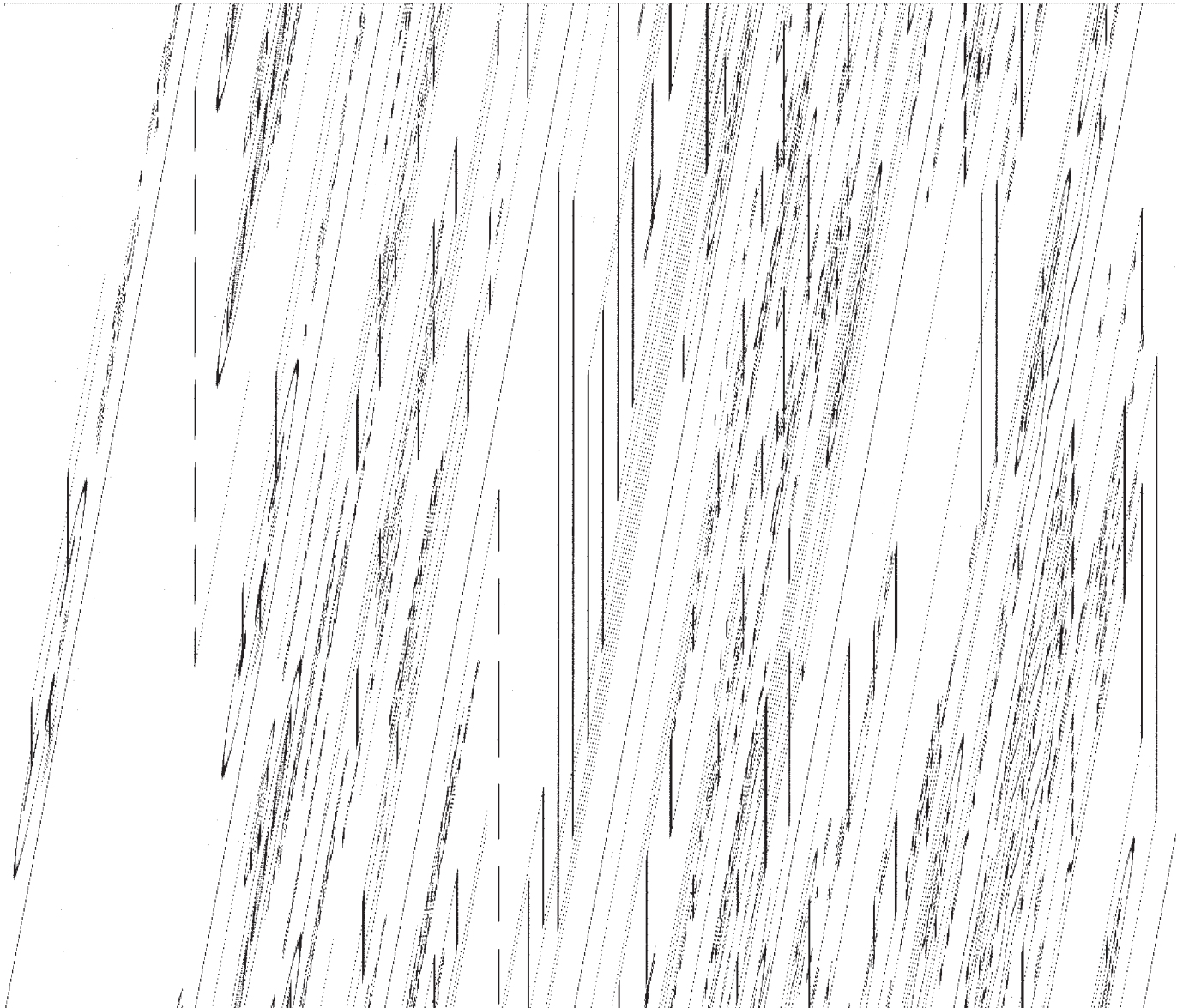
#### REPLACEMENT PARTS FOR THE POWER UNIT:

#### REPLACEMENT PARTS:

ITEM	DESCRIPTION	<u>120V</u>	<u>208V</u>	<u>240V</u>
	Power Unit	0675-069	0675-070	0675-070
18	Power Light	0766-094	0766-095	0766-095
19	Power Switch	0808-116	0808-116	0808-116
20	Thermostats, (with probe)	0848-008-ACK	0848-008-ACK	0848-008-ACK
21	Knob	0595-061	0595-061	0595-061
22	Terminal Block	0852-093	0852-093	0852-093
23	Relay	0857-130	0857-102	0857-102
24	Blower Kit	0769-180-01-SSK	0769-182-01-SSK	0769-182-01-SSK
25	Vent Fan	0769-165	0769-174	0769-174
26	Thermometer (Analog)	5238-030-K	5238-030-K	5238-030-K
	Thermometer (Digital)	5238-034-K	5238-034-K	5238-034-K
27	Transformer (used with digital thermometer)	0769-159	0769-159	0769-159

**OPERATING and MAINTENANCE INSTRUCTIONS**  
**Models: H137WSRR-C Series Companion Holding Cabinet**

**WIRING DIAGRAM**



\* For 208V and 240V connect wires 13 and 15 to thermostat wire 10.

**NOTE:**

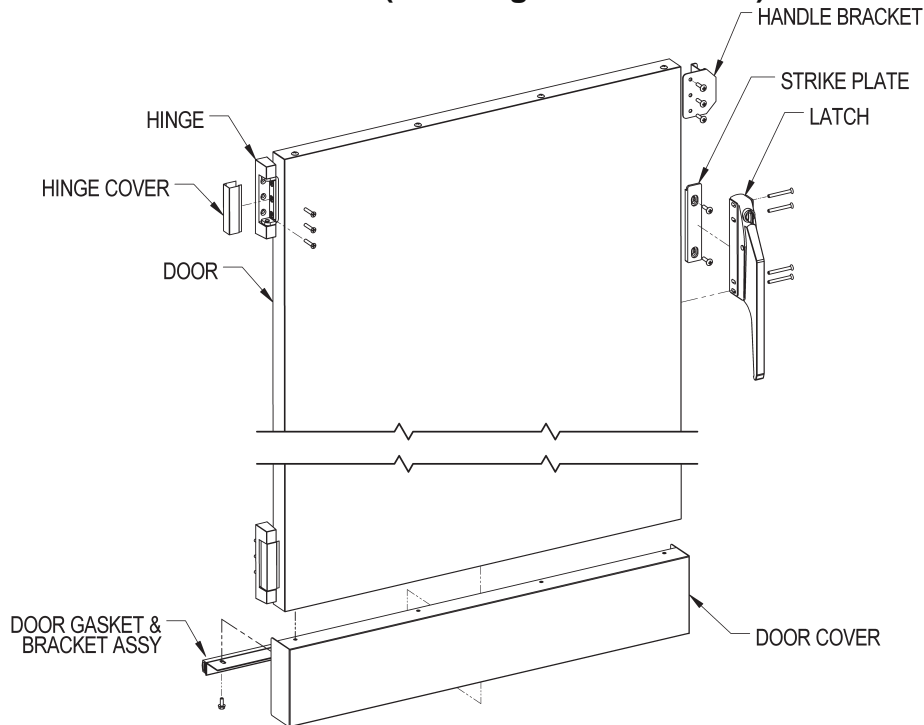
To remove power unit for thermostat, blower, or thermometer maintenance, remove the outer top 7 screws and 4 front panel screws.

Companion Holding Cabinet	<b>FL-2330</b>
Rev. 0 (2/07)	Page 10 of 10

## OPERATING and MAINTENANCE INSTRUCTIONS

### Models: H137WSRR-C Series Companion Holding Cabinet

#### HOW TO REVERSE THE DOOR OPENING (Left hinged door shown):



The doors are shipped with the hinges on the right side of the cabinet as standard. The doors on the cabinet are large and may require additional help when changing the hinge direction. Allow the cabinet to cool if the cabinet has been in use.

1. Remove handle bracket and strike plates from cabinet and set aside.
2. Remove hinge covers and set aside.
3. Remove hex screws from door gasket bracket assembly and door cover and set aside.
4. Remove door(s) from cabinet, rotate door(s) 180° and install onto other side of cabinet. For dutch doors, install the bottom door onto the top position and install the top door onto the bottom position on the other side of the cabinet.
5. Remove screws on bottom of (lower) door and install onto top of (upper) door.
6. Install door gasket assembly and door cover onto bottom of (lower) door.
7. For single door, remove latch and rotate 180° and install onto holes on upper half of door. For dutch doors, it is not necessary to change latches.
8. Install handle bracket and strike plates onto other side of cabinet.
9. Adjust hinges, latch(es) and door gasket bracket assembly for proper door seal.
10. Install hinge covers.