

18600 Series and CTP-NB

Parts List

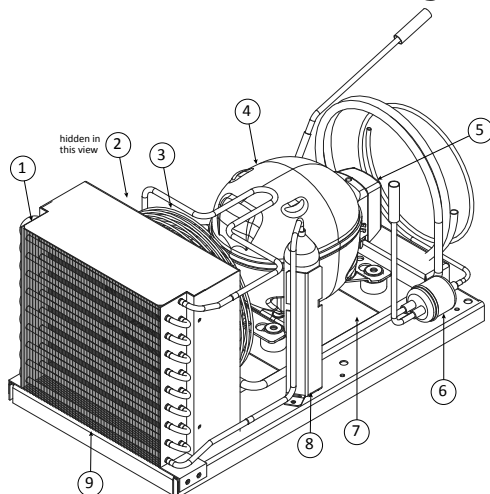
18648BSTMP Components.....	2	18672PDLV Components.....	82
18660BSTMP Components.....	4	Obsolete 18648PDL Components.....	84
18672BSTMP Components.....	6	Obsolete 18672PDL Components.....	86
18691BSTMP Components.....	8	18648PTBMP Components.....	88
18699BSTMP Components.....	11	18660PTBMP Components.....	90
186114BSTMP Components.....	14	18672PTBMP Components.....	92
Obsolete 18648BSTM Components.....	17	18691PTBMP Components.....	94
Obsolete 18660BSTM Components.....	19	18699PTBMP Components.....	97
Obsolete 18672BSTM Components.....	21	186114PTBMP Components.....	100
Obsolete 18691BSTM Components.....	23	Obsolete 18648PTBM Components.....	103
Obsolete 18699BSTM Components.....	25	Obsolete 18660PTBM Components.....	105
Obsolete 186114BSTM Components.....	27	Obsolete 18672PTBM Components.....	107
18648BST-E Components.....	29	Obsolete 18691PTBM Components.....	109
18660BST-E Components.....	31	Obsolete 18699PTBM Components.....	111
18672BST-E Components.....	33	Obsolete 186114PTBM Components.....	113
18691BST-E Components.....	35	18648PTB-E Common Components.....	115
18699BST-E Components.....	37	18660PTB-E Components.....	117
186114BST-E Components.....	39	18672PTB-E Components.....	119
18648BUCMP Components.....	41	18691PTB-E Components.....	121
18660BUCMP Components.....	43	18699PTB-E Components.....	123
18672BUCMP Components.....	45	186114PTB-E Components.....	125
18691BUCMP Components.....	47	18648PTLV Components.....	127
18699BUCMP Components.....	50	18672PTLV Components.....	129
186114BUCMP Components.....	53	18699PTLV Components.....	131
Obsolete 18648BUCLM Components.....	56	Obsolete 18648PTL Components.....	134
Obsolete 18660BUCLM Components.....	58	Obsolete 18672PTL Components.....	136
Obsolete 18672BUCLM Components.....	60	Obsolete 18699PTL Components.....	138
Obsolete 18691BUCLM Components.....	62	18648PTL-E Components.....	140
Obsolete 18699BUCLM Components.....	64	18672PTL-E Components.....	142
Obsolete 186114BUCLM Components.....	66	18699PTL-E Components.....	144
18648BUC-E Components.....	68	CTP8146-NB Components.....	146
18660BUC-E Components.....	70	CTP8160-NB Components.....	147
18672BUC-E Components.....	72	CTP8175-NB Components.....	148
18691BUC-E Components.....	74	CTP8146-NB-E Components.....	149
18699BUC-E Components.....	76	CTP8160-NB-E Components.....	150
186114BUC-E Components.....	78		
18648PDLV Components.....	80		

18648BSTMP Components

18648BSTMP R290 Common Components

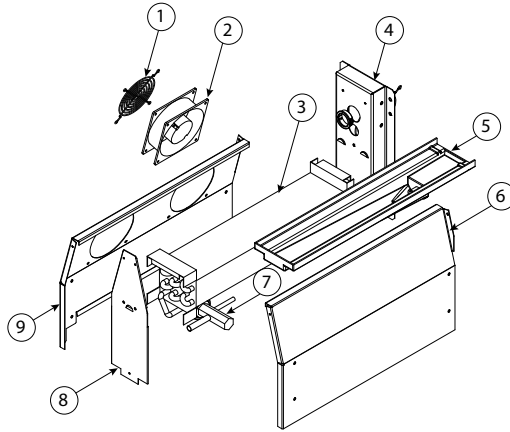
Key	Description	Part Number	Note
	Appliance Switch	2198717	
	Caster, 5, Plate, Swivel	3234198	
	Caster, 5, Plate, Swivel, Brake	3234199	
	Control Assembly, Refg, MK7	000-CZ0-0061KT-S	
	Panel, Louver, 15, Hanging	359-478-0042-S	
	Screw, Shelf Support, 1.5"	9321132	
	Shelf, Wire, 27"	3978014	
	Shelf Support, 1"	3234290	

18648BSTMP 1/5HP R290 Condensing Unit Assembly



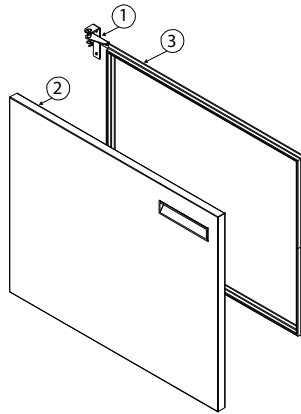
Key	Description	Part Number	Note
-	1/5 Condensing Unit Assembly, R290	000-BN5-007U-S	
1	Shroud, Condenser Coil	026-C58-003B-S	
2	Motor, Fan, 9W, 115V, Unit Bearing	2162717	
2	Blade, Fan, 7.25" Dia, 37Deg, CW	3516480	
3	Guard, Fan, 7.25"	2160020	
4	Compressor, R290, Danfoss, DLE4.0CN	3527162	
5	Start Capacitor	3520010	
5	Compressor, Relay	3520009	
6	Filter Dryer, (2) Inlet	3516478	
7	Condensate Pan	039-231-0030-S	
8	Receiver Tank, R290	3510004	
9	Condenser Coil, 1/5HP, R290	3510002	

18648BSTMP Fans Left Refrigerator Evaporator Coil Assembly



Key	Description	Part Number	Note
-	Coil Assembly, Ref, Fan Lt	000-248-003Z-S	
1	Guard, fan, 4.7"	2160024	
2	Fan, axial	2160023	
3	Coil, evaporator	3510005	
4	Back, evaporator, enclosure	030-232-0003-S	
5	Drip pan, evaporator	000-BNH-0030-S	
6	Side, coil, angled, Rt, Blank	030-233-0038-S	
7	Expansion valve, 1/4	3517414	
8	Front, coil	030-234-0003-S	
9	Side, Coil, Angled, Lt, 2Fan	030-233-0039-S	
-	Harness, coil	2184317	
-	Probe, Defrost, Thermostat	2194808	
-	Probe, Temp, Sensor	2194809	

18648BSTMP Door Assembly Parts



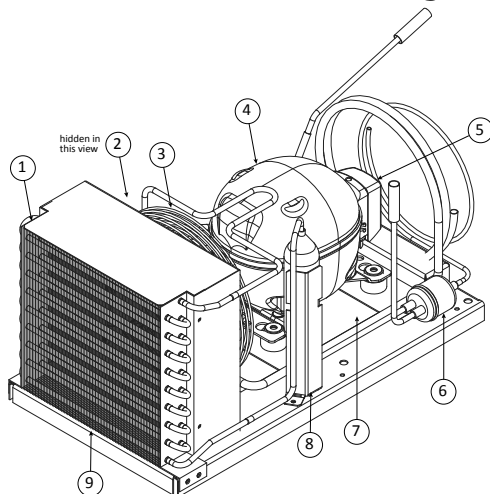
Key	Description	Part Number	Note
1	Hinge Kit	0160179	
2	Door Assembly, Ref, 27X26, LT, 430	000-187-0082-S	
2	Door Assembly, Ref, 27X26, RT,430	000-187-0081-S	
3	Gasket, Door, 27, Mark7	1701185	

18660BSTMP Components

18660BSTMP R290 Common Components

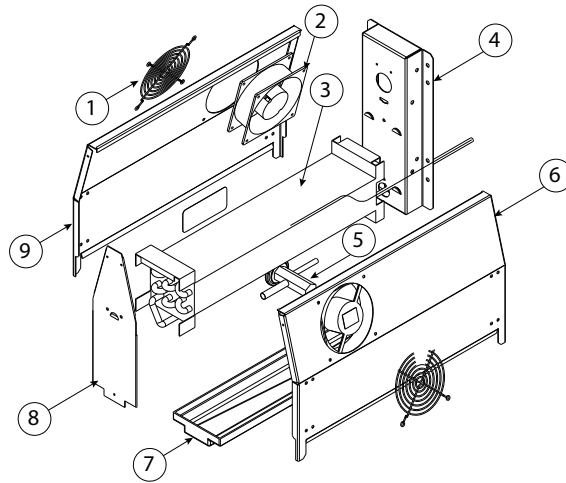
Key	Description	Part Number	Note
	Appliance Switch	2198717	
	Caster, 5, Plate, Swivel	3234198	
	Caster, 5, Plate, Swivel, Brake	3234199	
	Control Assembly, Refg, MK7	000-CZO-0061KT-S	
	Panel, Louver, 14, Hanging	359-478-0040-S	
	Screw, Shelf Support, 1.5"	9321132	
	Shelf, Wire, 19X32DP	3977984	
	Shelf, Wire, 27"	3978014	
	Shelf Support, 1"	3234290	

18660BSTMP 1/5HP R290 Condensing Unit Assembly



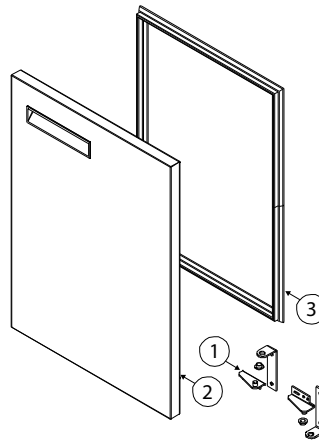
Key	Description	Part Number	Note
-	1/5 Condensing Unit Assembly, R290	000-BN5-007U-S	
1	Shroud, Condenser Coil	026-C58-003B-S	
2	Motor, Fan, 9W, 115V, Unit Bearing	2162717	
2	Blade, Fan, 7.25" Dia, 37Deg, CW	3516480	
3	Guard, Fan, 7.25"	2160020	
4	Compressor, R290, Danfoss, DLE4.0CN	3527162	
5	Start Capacitor	3520010	
5	Compressor, Relay	3520009	
6	Filter Dryer, (2) Inlet	3516478	
7	Condensate Pan	039-231-0030-S	
8	Receiver Tank, R290	3510004	
9	Condenser Coil, 1/5HP, R290	3510002	

18660BSTMP Refrigerator Evaporator Coil Assembly



Key	Description	Part Number	Note
-	Coil Assembly, Ref	000-248-003T-S	
1	Guard, fan, 4.7"	2160024	
2	Fan, axial	2160023	
3	Coil, evaporator	3510005	
4	Back, evaporator, enclosure	030-232-0003-S	
5	Expansion valve, 1/4	3517414	
6	Side, coil, angled, Right	030-233-0001-S	
7	Drip pan, evaporator	000-BNH-0030-S	
8	Front, coil	030-234-0003-S	
9	Side, coil, angled, Left	030-233-0002-S	
-	Harness, coil	2184317	
-	Probe, Defrost, Thermostat	2194808	
-	Probe, Temp, Sensor	2194809	

18660BSTMP Door Assembly Parts



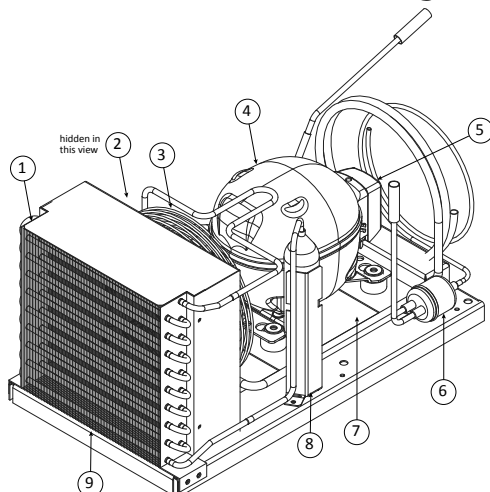
Key	Description	Part Number	Note
1	Hinge Kit	0160179	
2	Door Assembly, Ref, 19X26, LT, 430	000-187-007Y-S	
2	Door Assembly, Ref, 19X26, RT, 430	000-187-007X-S	
2	Door Assembly, Ref, 27X26, LT, 430	000-187-0082-S	
2	Door Assembly, Ref, 27X26, RT, 430	000-187-0081-S	
3	Gasket, Door, 19, Mark7	1701183	
3	Gasket, Door, 27, Mark7	1701185	

18672BSTMP Components

18672BSTMP R290 Common Components

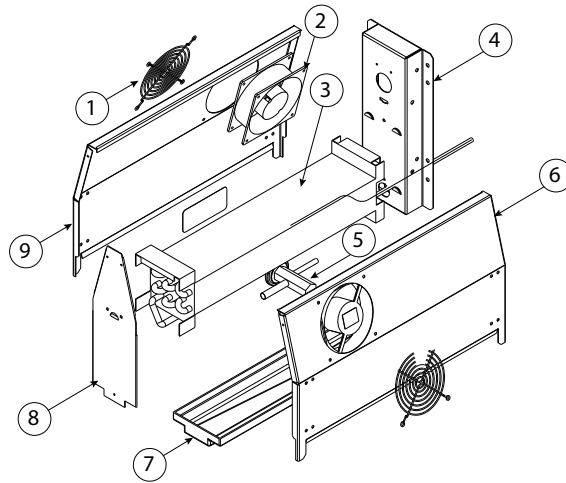
Key	Description	Part Number	Note
	Appliance Switch	2198717	
	Caster, 5, Plate, Swivel	3234198	
	Caster, 5, Plate, Swivel, Brake	3234199	
	Control Assembly, Refg, MK7	000-CZ0-0061KT-S	
	Panel, Louver, 18, Hanging	359-478-0041-S	
	Screw, Shelf Support, 1.5"	9321132	
	Shelf, Wire, 27"	3978014	
	Shelf Support, 1"	3234290	

18672BSTMP1/5HP R290 Condensing Unit Assembly



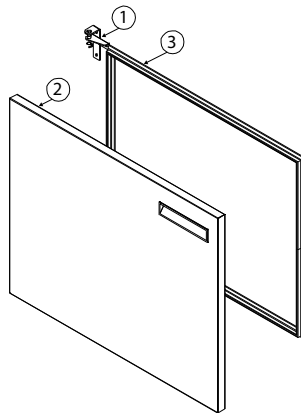
Key	Description	Part Number	Note
-	1/5 Condensing Unit Assembly, R290	000-BN5-007U-S	
1	Shroud, Condenser Coil	026-C58-003B-S	
2	Motor, Fan, 9W, 115V, Unit Bearing	2162717	
2	Blade, Fan, 7.25" Dia, 37Deg, CW	3516480	
3	Guard, Fan, 7.25"	2160020	
4	Compressor, R290, Danfoss, DLE4.0CN	3527162	
5	Start Capacitor	3520010	
5	Compressor, Relay	3520009	
6	Filter Dryer, (2) Inlet	3516478	
7	Condensate Pan	039-231-0030-S	
8	Receiver Tank, R290	3510004	
9	Condenser Coil, 1/5HP, R290	3510002	

18672BSTMP Refrigerator Evaporator Coil Assembly



Key	Description	Part Number	Note
-	Coil Assembly, Ref	000-248-003T-S	
1	Guard, fan, 4.7"	2160024	
2	Fan, axial	2160023	
3	Coil, evaporator	3510005	
4	Back, evaporator, enclosure	030-232-0003-S	
5	Expansion valve, 1/4	3517414	
6	Side, coil, angled, Right	030-233-0001-S	
7	Drip pan, evaporator	000-BNH-0030-S	
8	Front, coil	030-234-0003-S	
9	Side, coil, angled, Left	030-233-0002-S	
-	Harness, coil	2184317	
-	Probe, Defrost, Thermostat	2194808	
-	Probe, Temp, Sensor	2194809	

18672BSTMP Door Assembly Parts



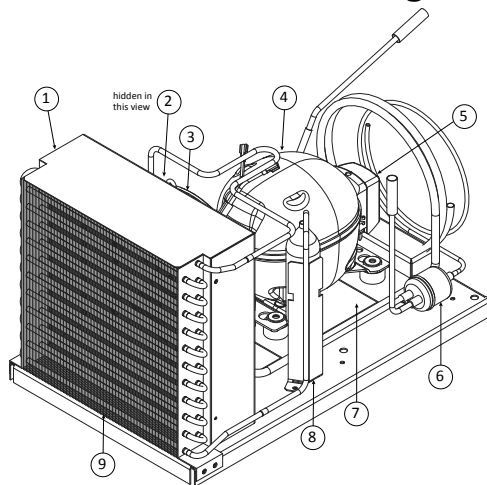
Key	Description	Part Number	Note
1	Hinge Kit	0160179	
2	Door Assembly, Ref, 27X26, LT, 430	000-187-0082-S	
2	Door Assembly, Ref, 27X26, RT,430	000-187-0081-S	
3	Gasket, Door, 27, Mark7	1701185	

18691BSTMP Components

18691BSTMP R290 Common Components

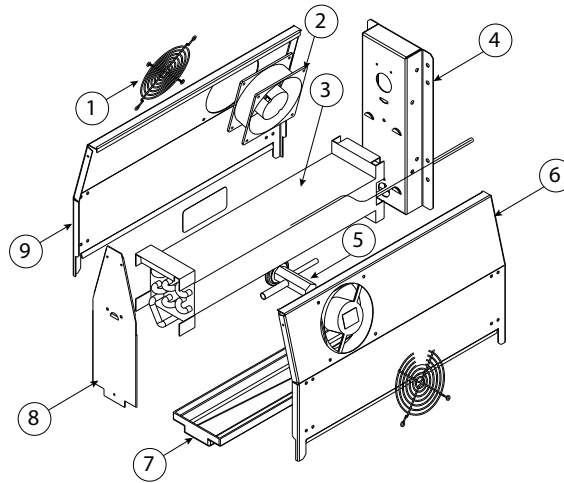
Key	Description	Part Number	Note
	Appliance Switch	2198717	
	Caster, 5, Plate, Swivel	3234198	
	Caster, 5, Plate, Swivel, Brake	3234199	
	Control Assembly, Refg, MK7	000-CZ0-0061KT-S	Built before 12-1-17
	Control Assembly, Refg, MK7, Dual Def	000-CZ0-0086KT-S	Built after 12-1-17
	Panel, Louver, 18, Hanging	359-478-0041-S	
	Screw, Shelf Support, 1.5"	9321132	
	Shelf, Wire, 19X32DP	3977984	
	Shelf, Wire, 27"	3978014	
	Shelf Support, 1"	3234290	

18691BSTMP 1/4HP R290 Condensing Unit Assemblies



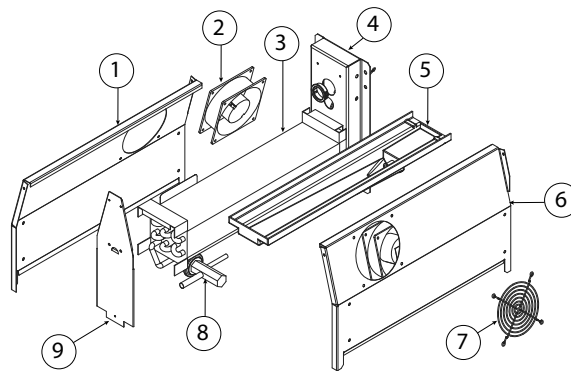
Key	Description	Part Number	Note
-	Condensing Unit Assembly, 1/4HP, R290	000-BN5-007V-S	
1	Shroud	026-C58-003C-S	
2	Blade, CW, (7.25")	3516480	
	Motor, Fan, 115V, Unit Bearing, (9W)	2162717	
3	Guard, Fan, (7.25")	2160020	
4	Compressor, R290, Danfoss, DLE5.7CN	3527163	
5	Capacitor, Start, 320MFD	3520010	
5	Compressor, Relay, Overload, NF7CLX	3520011	
6	Drier, Filter, (2)Inlet	3516478	
7	Pan, Condensate, SM	039-231-0030-S	
8	Receiver Tank, R290	3510004	
9	Coil, Condenser, R290	3510003	

18691BSTMP Refrigerator Evaporator Coil Assembly



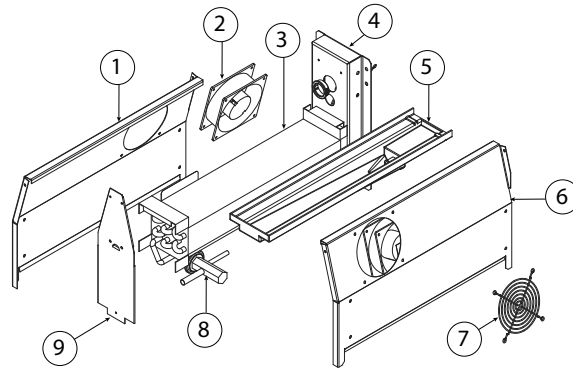
Key	Description	Part Number	Note
-	Coil Assembly, Ref	000-248-003T-S	
1	Guard, fan, 4.7"	2160024	
2	Fan, axial	2160023	
3	Coil, evaporator	3510005	
4	Back, evaporator, enclosure	030-232-0003-S	
5	Expansion valve, 1/4	3517414	
6	Side, coil, angled, Right	030-233-0001-S	
7	Drip pan, evaporator	000-BNH-0030-S	
8	Front, coil	030-234-0003-S	
9	Side, coil, angled, Left	030-233-0002-S	
-	Harness, coil	2184317	
-	Probe, Defrost, Thermostat	2194808	
-	Probe, Temp, Sensor	2194809	

18691BSTMP Defrost Probe Refrigerator Evaporator Coil Assembly



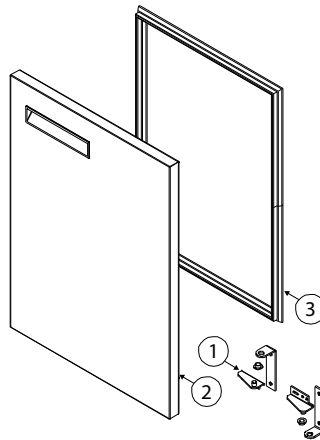
Key	Description	Part Number	Note
-	Coil Assembly, Ref, No Probes	000-248-004D-S	Built after 12-1-17
1	Side, Coil, Angled, Lt	030-233-0002-S	
2	Fan, Axial	2160023	
3	Coil, evaporator	3510005	
4	Back, evaporator, enclosure	030-232-0003-S	
5	Drip pan, evaporator	000-BNH-0030-S	
6	Side, coil, angled, Rt	030-233-0001-S	
7	Guard, fan, 4.7"	2160024	
8	Expansion valve	3517414	
9	Front, coil	030-234-0003-S	
-	Harness, coil	2184317	
-	Probe, Sensor, Defrost, Danfoss	2194833	

18691BSTMP No Probes Refrigerator Evaporator Coil Assembly



Key	Description	Part Number	Note
-	Coil Assembly, Ref, No Probes	000-248-003X-S	Built before 12-1-17
1	Side, Coil, Angled, Lt	030-233-0002-S	
2	Fan, Axial	2160023	
3	Coil, evaporator	3510005	
4	Back, evaporator, enclosure	030-232-0003-S	
5	Drip pan, evaporator	000-BNH-0030-S	
6	Side, coil, angled, Rt	030-233-0001-S	
7	Guard, fan, 4.7"	2160024	
8	Expansion valve	3517414	
9	Front, coil	030-234-0003-S	
-	Harness, coil	2184317	

18691BSTMP Door Assembly Parts



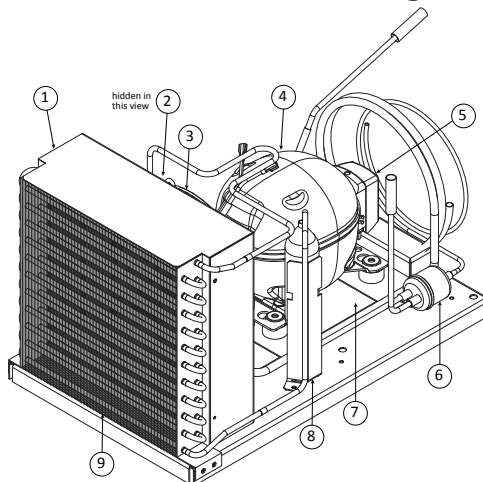
Key	Description	Part Number	Note
1	Hinge Kit	0160179	
2	Door Assembly, Ref, 19X26, LT, 430	000-187-007Y-S	
2	Door Assembly, Ref, 19X26, RT, 430	000-187-007X-S	
2	Door Assembly, Ref, 27X26, LT, 430	000-187-0082-S	
2	Door Assembly, Ref, 27X26, RT,430	000-187-0081-S	
3	Gasket, Door, 19, Mark7	1701183	
3	Gasket, Door, 27, Mark7	1701185	

18699BSTMP Components

18699BSTMP R290 Common Components

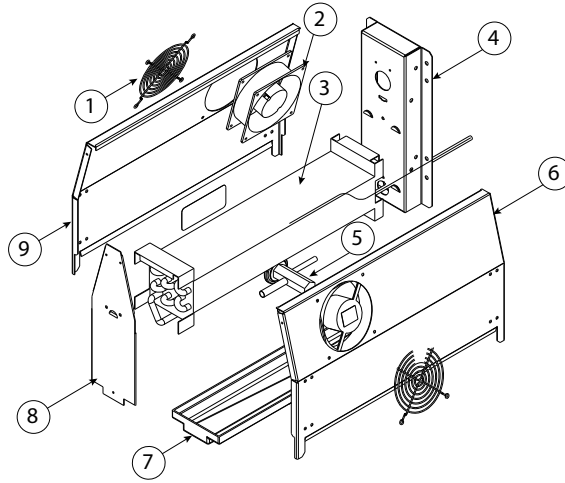
Key	Description	Part Number	Note
	Appliance Switch	2198717	
	Caster, 5, Plate, Swivel	3234198	
	Caster, 5, Plate, Swivel, Brake	3234199	
	Control Assembly, Refg, MK7	000-CZ0-0061KT-S	Built before 12-1-17
	Control Assembly, Refg, MK7, Dual Def	000-CZ0-0086KT-S	Built after 12-1-17
	Panel, Louver, 18, Hanging	359-478-0041-S	
	Screw, Shelf Support, 1.5"	9321132	
	Shelf, Wire, 27"	3978014	
	Shelf Support, 1"	3234290	

18699BSTMP 1/4HP R290 Condensing Unit Assemblies



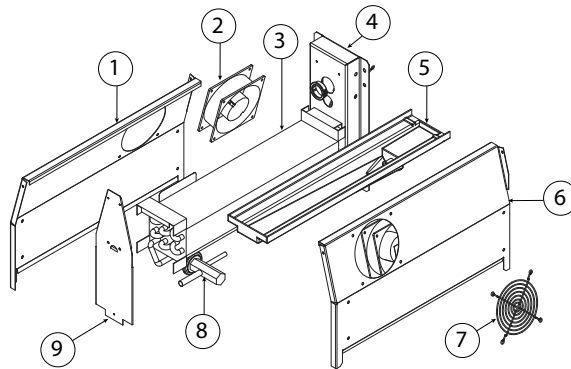
Key	Description	Part Number	Note
-	Condensing Unit Assembly, 1/4HP, R290	000-BN5-007V-S	
1	Shroud	026-C58-003C-S	
2	Blade, CW, (7.25")	3516480	
2	Motor, Fan, 115V, Unit Bearing, (9W)	2162717	
3	Guard, Fan, (7.25")	2160020	
4	Compressor, R290, Danfoss, DLE5.7CN	3527163-S	
5	Capacitor, Start, 320MFD	3520010	
5	Compressor, Relay, Overload, NF7CLX	3520011	
6	Drier, Filter, (2)Inlet	3516478	
7	Pan, Condensate, SM	039-231-0030-S	
8	Receiver Tank, R290	3510004	
9	Coil, Condenser, R290	3510003	

18699BSTMP Refrigerator Evaporator Coil Assembly



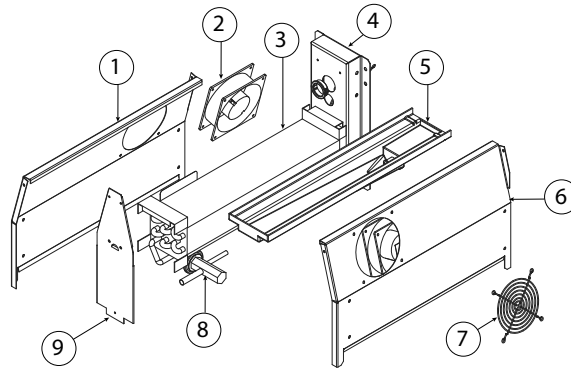
Key	Description	Part Number	Note
-	Coil Assembly, Ref	000-248-003T-S	
1	Guard, fan, 4.7"	2160024	
2	Fan, axial	2160023	
3	Coil, evaporator	3510005	
4	Back, evaporator, enclosure	030-232-0003-S	
5	Expansion valve, 1/4	3517414	
6	Side, coil, angled, Right	030-233-0001-S	
7	Drip pan, evaporator	000-BNH-0030-S	
8	Front, coil	030-234-0003-S	
9	Side, coil, angled, Left	030-233-0002-S	
-	Harness, coil	2184317	
-	Probe, Defrost, Thermostat	2194808	
-	Probe, Temp, Sensor	2194809	

18699BSTMP Defrost Probe Refrigerator Evaporator Coil Assembly



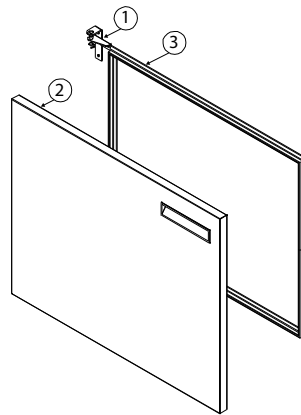
Key	Description	Part Number	Note
-	Coil Assembly, Ref, No Probes	000-248-004D-S	Built after 12-1-17
1	Side, Coil, Angled, Lt	030-233-0002-S	
2	Fan, Axial	2160023	
3	Coil, evaporator	3510005	
4	Back, evaporator, enclosure	030-232-0003-S	
5	Drip pan, evaporator	000-BNH-0030-S	
6	Side, coil, angled, Rt	030-233-0001-S	
7	Guard, fan, 4.7"	2160024	
8	Expansion valve	3517414	
9	Front, coil	030-234-0003-S	
-	Harness, coil	2184317	
-	Probe, Sensor, Defrost, Danfoss	2194833	

18699BSTMP No Probes Refrigerator Evaporator Coil Assembly



Key	Description	Part Number	Note
-	Coil Assembly, Ref, No Probes	000-248-003X-S	Built before 12-1-17
1	Side, Coil, Angled, Lt	030-233-0002-S	
2	Fan, Axial	2160023	
3	Coil, evaporator	3510005	
4	Back, evaporator, enclosure	030-232-0003-S	
5	Drip pan, evaporator	000-BNH-0030-S	
6	Side, coil, angled, Rt	030-233-0001-S	
7	Guard, fan, 4.7"	2160024	
8	Expansion valve	3517414	
9	Front, coil	030-234-0003-S	
-	Harness, coil	2184317	

18699BSTMP Door Assembly Parts



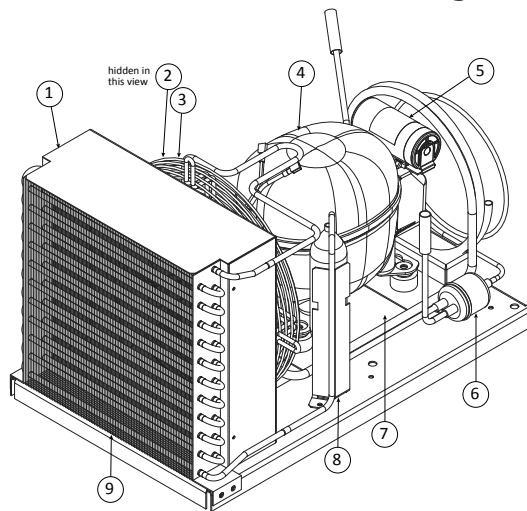
Key	Description	Part Number	Note
1	Hinge Kit	0160179	
2	Door Assembly, Ref, 27X26, LT, 430	000-187-0082-S	
2	Door Assembly, Ref, 27X26, RT,430	000-187-0081-S	
3	Gasket, Door, 27, Mark7	1701185	

186114BSTMP Components

186114BSTMP R290 Common Components

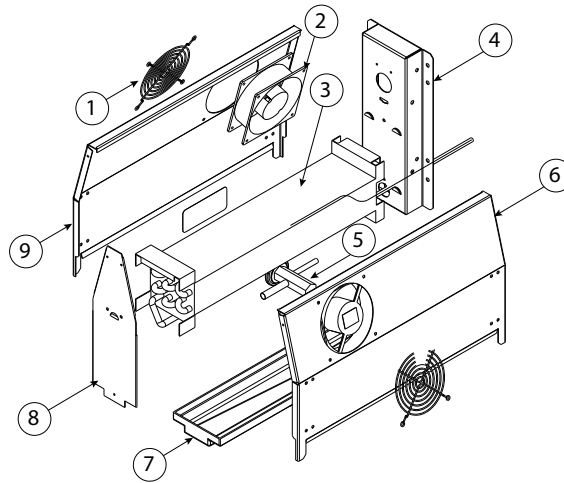
Key	Description	Part Number	Note
	Appliance Switch	2198717	
	Caster, 5, Plate, Swivel	3234198	
	Caster, 5, Plate, Swivel, Brake	3234199	
	Control Assembly, Refg, MK7	000-CZ0-0061KT-S	Built before 12-1-17
	Control Assembly, Refg, MK7, Dual Def	000-CZ0-0086KT-S	Built after 12-1-17
	Panel, Louver, 18, Hanging	359-478-0041-S	
	Screw, Shelf Support, 1.5"	9321132	
	Shelf, Wire, 32X32DP	3977983	
	Shelf Support, 1"	3234290	

186114BSTMP 1/3HP R290 Condensing Unit Assembly



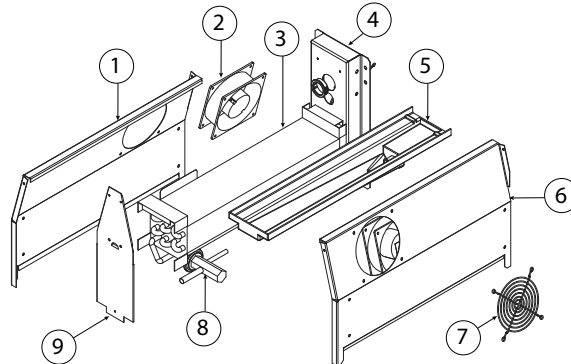
Key	Description	Part Number	Note
-	Condensing Unit Assembly, 1/3HP, R290	000-BN5-007X-S	
1	Shroud	026-C58-003D-S	
2	Blade, Fan, 25 Deg, 10", CW, Upright	3516433	
2	Motor, Fan, 16W, 115V, Unit Bearing	2162716	
3	Guard, Fan, Condenser, Upright	2160019	
4	Compressor, 1/3HP, NEU618U, R290	3527164	
5	Capacitor, Start	3520005	
5	Overload	3520004	
6	Compressor, Relay	3520003	
6	Drier, Filter, (2)Inlet	3516478	
7	Pan, Condensate, SM	039-231-0030-S	
8	Receiver Tank, R290	3510004	
9	Coil, Condenser, R290	3510003	

186114BSTMP Refrigerator Evaporator Coil Assembly



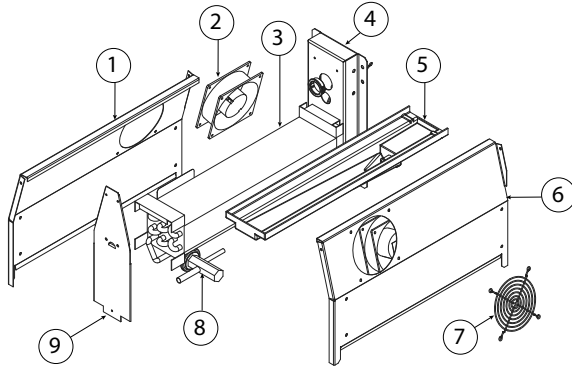
Key	Description	Part Number	Note
-	Coil Assembly, Ref	000-248-003T-S	
1	Guard, fan, 4.7"	2160024	
2	Fan, axial	2160023	
3	Coil, evaporator	3510005	
4	Back, evaporator, enclosure	030-232-0003-S	
5	Expansion valve, 1/4	3517414	
6	Side, coil, angled, Right	030-233-0001-S	
7	Drip pan, evaporator	000-BNH-0030-S	
8	Front, coil	030-234-0003-S	
9	Side, coil, angled, Left	030-233-0002-S	
-	Harness, coil	2184317	
-	Probe, Defrost, Thermostat	2194808	
-	Probe, Temp, Sensor	2194809	

186114BSTMP Defrost Probe Refrigerator Evaporator Coil Assembly



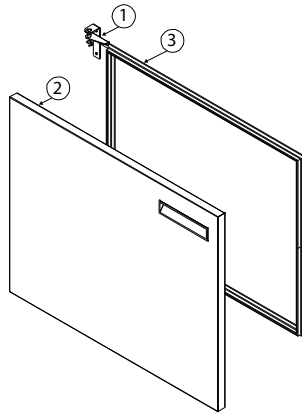
Key	Description	Part Number	Note
-	Coil Assembly, Ref, No Probes	000-248-004D-S	Built after 12-1-17
1	Side, Coil, Angled, Lt	030-233-0002-S	
2	Fan, Axial	2160023	
3	Coil, evaporator	3510005	
4	Back, evaporator, enclosure	030-232-0003-S	
5	Drip pan, evaporator	000-BNH-0030-S	
6	Side, coil, angled, Rt	030-233-0001-S	
7	Guard, fan, 4.7"	2160024	
8	Expansion valve	3517414	
9	Front, coil	030-234-0003-S	
-	Harness, coil	2184317	
-	Probe, Sensor, Defrost, Danfoss	2194833	

186114BSTMP No Probes Refrigerator Evaporator Coil Assembly



Key	Description	Part Number	Note
-	Coil Assembly, Ref, No Probes	000-248-003X-S	Built before 12-1-17
1	Side, Coil, Angled, Lt	030-233-0002-S	
2	Fan, Axial	2160023	
3	Coil, evaporator	3510005	
4	Back, evaporator, enclosure	030-232-0003-S	
5	Drip pan, evaporator	000-BNH-0030-S	
6	Side, coil, angled, Rt	030-233-0001-S	
7	Guard, fan, 4.7"	2160024	
8	Expansion valve	3517414	
9	Front, coil	030-234-0003-S	
-	Harness, coil	2184317	

186114BSTMP Door Assembly Parts



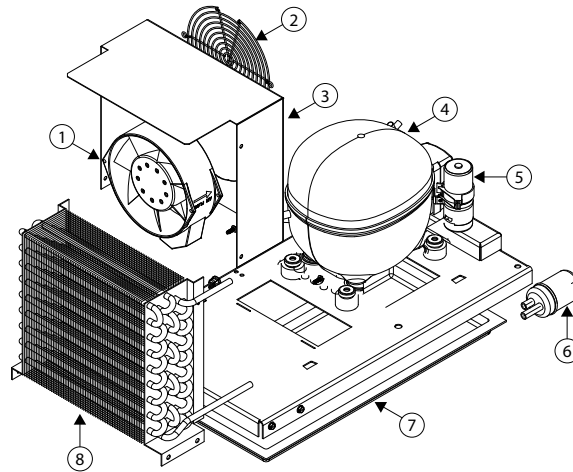
Key	Description	Part Number	Note
1	Hinge Kit	0160179	
2	Door Assembly, Ref, 32X26, LT, 430	000-187-0084-S	
2	Door Assembly, Ref, 32X26, RT, 430	000-187-0083-S	
3	32" Door Gasket	1701186	

Obsolete 18648BSTM Components

Obsolete 18648BSTM R404A Common Components

R404A replacement parts only. Unit is no longer in production as of 3-30-17.

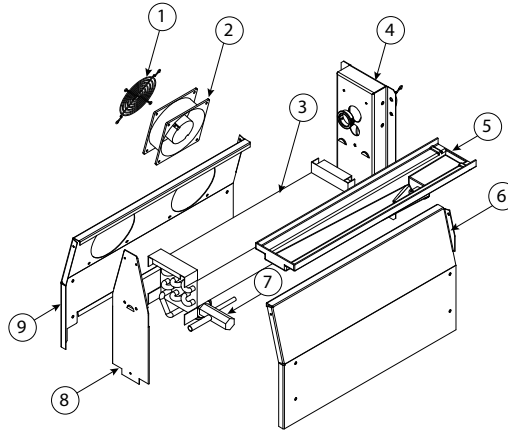
Key	Description	Part Number	Note
	Caster, 5, Plate, Swivel	3234198	
	Caster, 5, Plate, Swivel, Brake	3234199	
	Control, Danfoss, GDM, 115V	RF000084	
	Panel, Louver, 15, Hanging	359-478-0042-S	
	Screw, Shelf Support, 1.5"	9321132	
	Shelf, Wire, 27"	3978014	
	Shelf Support, 1"	3234290	
	Switch, Rocker, 20A/125V	2190154	



Obsolete 18648BSTM 1/5HP R404A Condensing Unit Assembly

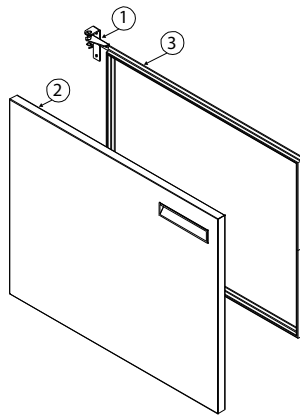
Key	Description	Part Number	Note
	Condensing Unit Assembly, 1/5HP	000-BN5-0031-S	
1	Fan, Axial, 5.5", 120V	2160028	
2	Guard, Fan, 6.0"	2160030	
3	Shroud, Condenser Coil	026-C58-0037-S	
4	Compressor, TF4CLS	3526997	
5	Start Capacitor	2194787	
6	Filter Dryer	3516322	
7	Condensate Pan	075-231-0030-S	
8	Condenser Coil	3516454	

Obsolete 18648BSTM Fans Left Refrigerator Evaporator Coil Assembly



Key	Description	Part Number	Note
-	Coil Assembly, Ref, Fan Lt	000-248-0037-S	
1	Guard, fan, 4.7"	2160024	
2	Fan, axial	2160023	
3	Coil, evaporator	3516095	
4	Back, evaporator, enclosure	030-232-0003-S	
5	Drip pan, evaporator	000-BNH-0030-S	
6	Side, coil, angled, Rt, Blank	030-233-0038-S	
7	Expansion valve, 1/4	3516273	
8	Front, coil	030-234-0003-S	
9	Side, Coil, Angled, Lt, 2Fan	030-233-0039-S	
-	Harness, coil	2184317	
-	Probe, Defrost, Thermostat	2194808	
-	Probe, Temp, Sensor	2194809	

Obsolete 18648BSTM Door Assembly Parts



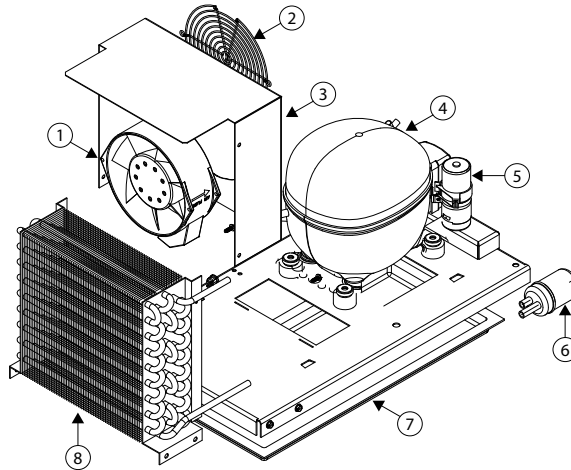
Key	Description	Part Number	Note
1	Hinge Kit	0160179	
2	Door Assembly, Ref, 27X26, LT, 430	000-187-0082-S	
2	Door Assembly, Ref, 27X26, RT,430	000-187-0081-S	
3	Gasket, Door, 27, Mark7	1701185	

Obsolete 18660BSTM Components

Obsolete 18660BSTM R404A Common Components

R404A replacement parts only. Unit is no longer in production as of 3-30-17.

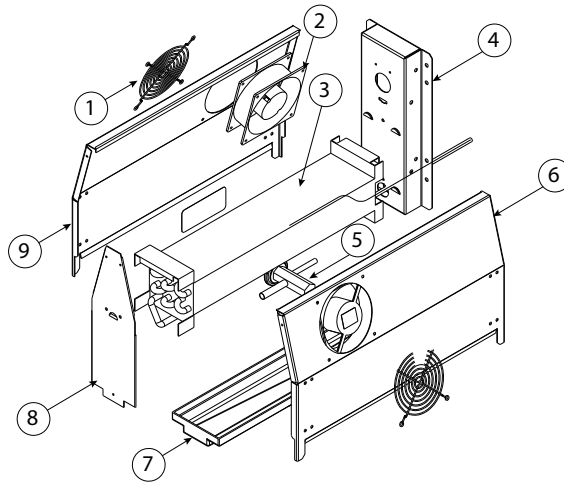
Key	Description	Part Number	Note
	Caster, 5, Plate, Swivel	3234198	
	Caster, 5, Plate, Swivel, Brake	3234199	
	Control, Danfoss, GDM, 115V	RF000084	
	Panel, Louver, 14, Hanging	359-478-0040-S	
	Screw, Shelf Support, 1.5"	9321132	
	Shelf, Wire, 19X32DP	3977984	
	Shelf, Wire, 27"	3978014	
	Shelf Support, 1"	3234290	
	Switch, Rocker, 20A/125V	2190154	



Obsolete 18660BSTM 1/5HP R404A Condensing Unit Assembly

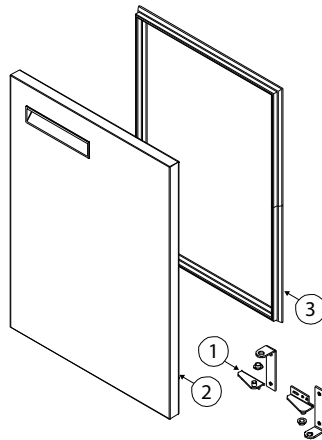
Key	Description	Part Number	Note
	Condensing Unit Assembly, 1/5HP	000-BN5-0031-S	
1	Fan, Axial, 5.5", 120V	2160028	
2	Guard, Fan, 6.0"	2160030	
3	Shroud, Condenser Coil	026-C58-0037-S	
4	Compressor, TF4CLS	3526997	
5	Start Capacitor	2194787	
6	Filter Dryer	3516322	
7	Condensate Pan	075-231-0030-S	
8	Condenser Coil	3516454	

Obsolete 18660BSTM Refrigerator Evaporator Coil Assembly



Key	Description	Part Number	Note
-	Coil Assembly, Ref	000-248-0030-S	
1	Guard, fan, 4.7"	2160024	
2	Fan, axial	2160023	
3	Coil, evaporator	3516095	
4	Back, evaporator, enclosure	030-232-0003-S	
5	Expansion valve, 1/4	3516273	
6	Side, coil, angled, Right	030-233-0001-S	
7	Drip pan, evaporator	075-231-0033-S	
8	Front, coil	030-234-0003-S	
9	Side, coil, angled, Left	030-233-0002-S	
-	Harness, coil	2184317	
-	Probe, Defrost, Thermostat	2194808	
-	Probe, Temp, Sensor	2194809	

Obsolete 18660BSTM Door Assembly Parts



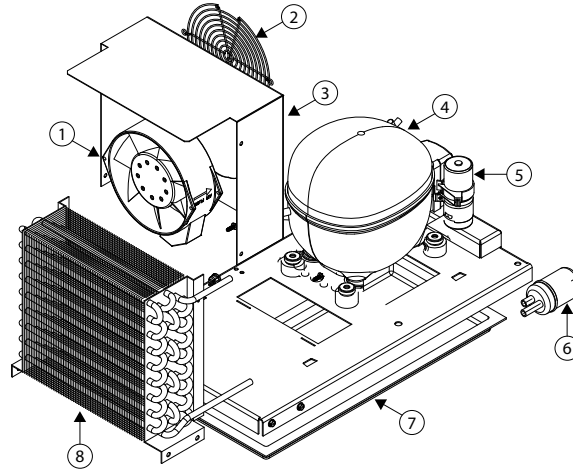
Key	Description	Part Number	Note
1	Hinge Kit	0160179	
2	Door Assembly, Ref, 19X26, LT, 430	000-187-007Y-S	
2	Door Assembly, Ref, 19X26, RT, 430	000-187-007X-S	
2	Door Assembly, Ref, 27X26, LT, 430	000-187-0082-S	
2	Door Assembly, Ref, 27X26, RT, 430	000-187-0081-S	
3	Gasket, Door, 19, Mark7	1701183	
3	Gasket, Door, 27, Mark7	1701185	

Obsolete 18672BSTM Components

Obsolete 18672BSTM R404A Common Components

R404A replacement parts only. Unit is no longer in production as of 3-30-17.

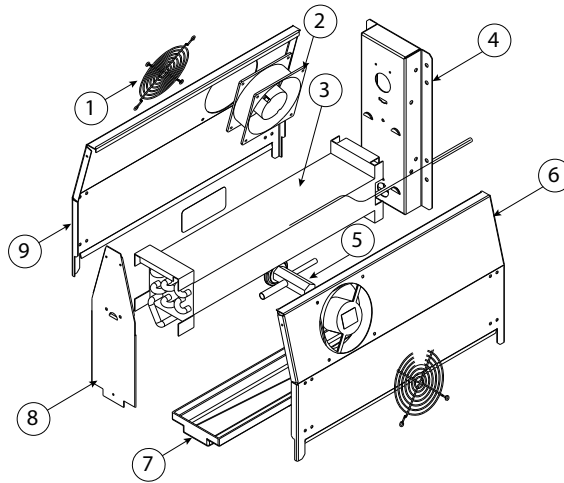
Key	Description	Part Number	Note
	Caster, 5, Plate, Swivel	3234198	
	Caster, 5, Plate, Swivel, Brake	3234199	
	Control, Danfoss, GDM, 115V	RF000084	
	Panel, Louver, 18, Hanging	359-478-0041-S	
	Screw, Shelf Support, 1.5"	9321132	
	Shelf, Wire, 27"	3978014	
	Shelf Support, 1"	3234290	
	Switch, Rocker, 20A/125V	2190154	



Obsolete 18672BSTM 1/5HP R404A Condensing Unit Assembly

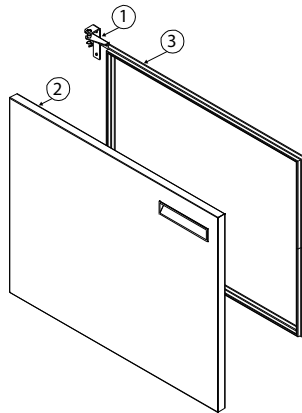
Key	Description	Part Number	Note
	Condensing Unit Assembly, 1/5HP	000-BN5-0031-S	
1	Fan, Axial, 5.5", 120V	2160028	
2	Guard, Fan, 6.0"	2160030	
3	Shroud, Condenser Coil	026-C58-0037-S	
4	Compressor, TF4CLS	3526997	
5	Start Capacitor	2194787	
6	Filter Dryer	3516322	
7	Condensate Pan	075-231-0030-S	
8	Condenser Coil	3516454	

Obsolete 18672BSTM Refrigerator Evaporator Coil Assembly



Key	Description	Part Number	Note
-	Coil Assembly, Ref	000-248-0030-S	
1	Guard, fan, 4.7"	2160024	
2	Fan, axial	2160023	
3	Coil, evaporator	3516095	
4	Back, evaporator, enclosure	030-232-0003-S	
5	Expansion valve, 1/4	3516273	
6	Side, coil, angled, Right	030-233-0001-S	
7	Drip pan, evaporator	075-231-0033-S	
8	Front, coil	030-234-0003-S	
9	Side, coil, angled, Left	030-233-0002-S	
-	Harness, coil	2184317	
-	Probe, Defrost, Thermostat	2194808	
-	Probe, Temp, Sensor	2194809	

Obsolete 18672BSTM Door Assembly Parts



Key	Description	Part Number	Note
1	Hinge Kit	0160179	
2	Door Assembly, Ref, 27X26, LT, 430	000-187-0082-S	
2	Door Assembly, Ref, 27X26, RT,430	000-187-0081-S	
3	Gasket, Door, 27, Mark7	1701185	

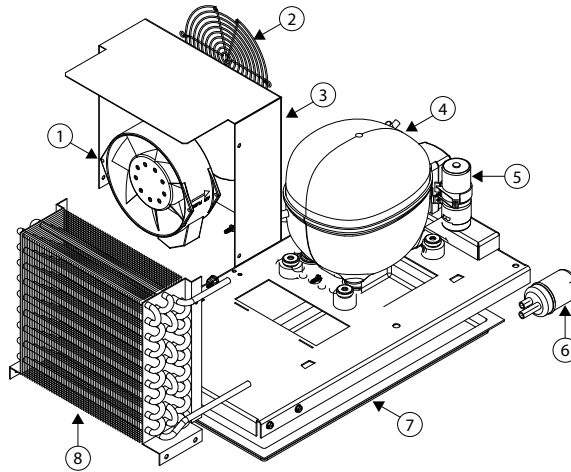
Obsolete 18691BSTM Components

Obsolete 18691BSTM R404A Common Components

R404A replacement parts only. Unit is no longer in production as of 3-30-17.

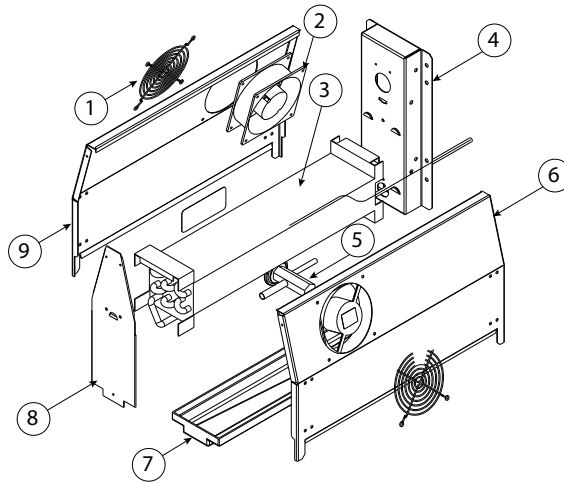
Key	Description	Part Number	Note
	Caster, 5, Plate, Swivel	3234198	
	Caster, 5, Plate, Swivel, Brake	3234199	
	Control, Danfoss, GDM, 115V	RF000084	
	Panel, Louver, 18, Hanging	359-478-0041-S	
	Screw, Shelf Support, 1.5"	9321132	
	Shelf, Wire, 19X32DP	3977984	
	Shelf, Wire, 27"	3978014	
	Shelf Support, 1"	3234290	
	Switch, Rocker, 20A/125V	2190154	

Obsolete 18691BSTM 1/4HP R404A Condensing Unit Assembly



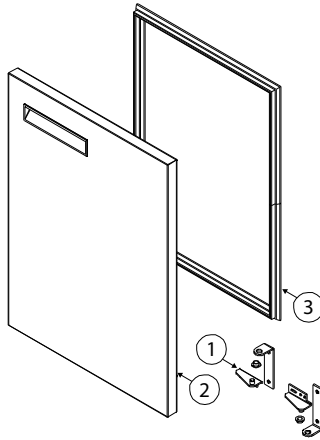
Key	Description	Part Number	Note
-	Assembly, 1/4 HP Condensing Unit	000-BN5-0030-S	
1	Fan	2160028	
2	Guard, Fan	2160030	
3	Shroud, Condenser Coil	026-C58-0037-S	
4	Compressor, Danfoss, NF5.5CLX	3526999	
5	Start Capacitor	2194787	
5	Comp, Relay, Overload, NF5.5CLX	3516444	
6	Filter Dryer	3516322	
7	Condensate Pan	039-231-0030-S	
8	Condenser Coil	3516454	

Obsolete 18691BSTM Refrigerator Evaporator Coil Assembly



Key	Description	Part Number	Note
-	Coil Assembly, Ref	000-248-0030-S	
1	Guard, fan, 4.7"	2160024	
2	Fan, axial	2160023	
3	Coil, evaporator	3516095	
4	Back, evaporator, enclosure	030-232-0003-S	
5	Expansion valve, 1/4	3516273	
6	Side, coil, angled, Right	030-233-0001-S	
7	Drip pan, evaporator	075-231-0033-S	
8	Front, coil	030-234-0003-S	
9	Side, coil, angled, Left	030-233-0002-S	
-	Harness, coil	2184317	
-	Probe, Defrost, Thermostat	2194808	
-	Probe, Temp, Sensor	2194809	

Obsolete 18691BSTM Door Assembly Parts



Key	Description	Part Number	Note
1	Hinge Kit	0160179	
2	Door Assembly, Ref, 19X26, LT, 430	000-187-007Y-S	
2	Door Assembly, Ref, 19X26, RT, 430	000-187-007X-S	
2	Door Assembly, Ref, 27X26, LT, 430	000-187-0082-S	
2	Door Assembly, Ref, 27X26, RT, 430	000-187-0081-S	
3	Gasket, Door, 19, Mark7	1701183	
3	Gasket, Door, 27, Mark7	1701185	

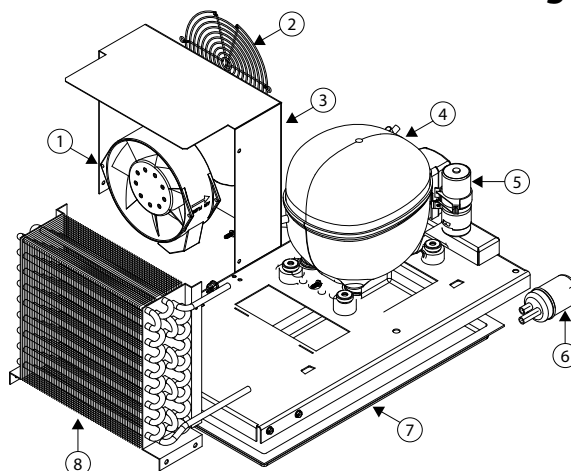
Obsolete 18699BSTM Components

Obsolete 18699BSTM R404A Common Components

R404A replacement parts only. Unit is no longer in production as of 3-30-17.

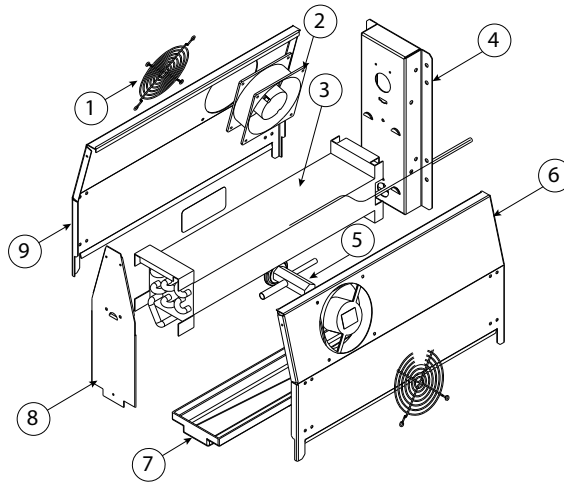
Key	Description	Part Number	Note
	Caster, 5, Plate, Swivel	3234198	
	Caster, 5, Plate, Swivel, Brake	3234199	
	Control, Danfoss, GDM, 115V	RF000084	
	Panel, Louver, 18, Hanging	359-478-0041-S	
	Screw, Shelf Support, 1.5"	9321132	
	Shelf, Wire, 27"	3978014	
	Shelf Support, 1"	3234290	
	Switch, Rocker, 20A/125V	2190154	

Obsolete 18699BSTM 1/4HP R404A Condensing Unit Assembly



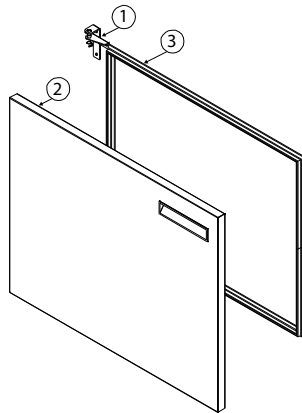
Key	Description	Part Number	Note
-	Assembly, 1/4 HP Condensing Unit	000-BN5-0030-S	
1	Fan	2160028	
2	Guard, Fan	2160030	
3	Shroud, Condenser Coil	026-C58-0037-S	
4	Compressor, Danfoss, NF5.5CLX	3526999	
5	Start Capacitor	2194787	
5	Comp, Relay, Overload, NF5.5CLX	3516444	
6	Filter Dryer	3516322	
7	Condensate Pan	039-231-0030-S	
8	Condenser Coil	3516454	

Obsolete 18699BSTM Refrigerator Evaporator Coil Assembly



Key	Description	Part Number	Note
-	Coil Assembly, Ref	000-248-0030-S	
1	Guard, fan, 4.7"	2160024	
2	Fan, axial	2160023	
3	Coil, evaporator	3516095	
4	Back, evaporator, enclosure	030-232-0003-S	
5	Expansion valve, 1/4	3516273	
6	Side, coil, angled, Right	030-233-0001-S	
7	Drip pan, evaporator	075-231-0033-S	
8	Front, coil	030-234-0003-S	
9	Side, coil, angled, Left	030-233-0002-S	
-	Harness, coil	2184317	
-	Probe, Defrost, Thermostat	2194808	
-	Probe, Temp, Sensor	2194809	

Obsolete 18699BSTM Door Assembly Parts



Key	Description	Part Number	Note
1	Hinge Kit	0160179	
2	Door Assembly, Ref, 27X26, LT, 430	000-187-0082-S	
2	Door Assembly, Ref, 27X26, RT,430	000-187-0081-S	
3	Gasket, Door, 27, Mark7	1701185	

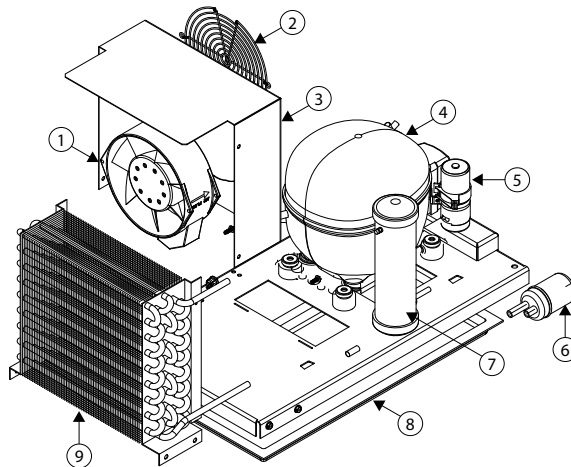
Obsolete 186114BSTM Components

Obsolete 186114BSTM R404A Common Components

R404A replacement parts only. Unit is no longer in production as of 3-30-17.

Key	Description	Part Number	Note
	Caster, 5, Plate, Swivel	3234198	
	Caster, 5, Plate, Swivel, Brake	3234199	
	Control, Danfoss, GDM, 115V	RF000084	
	Panel, Louver, 18, Hanging	359-478-0041-S	
	Screw, Shelf Support, 1.5"	9321132	
	Shelf, Wire, 32X32DP	3977983	
	Shelf Support, 1"	3234290	
	Switch, Rocker, 20A/125V	2190154	

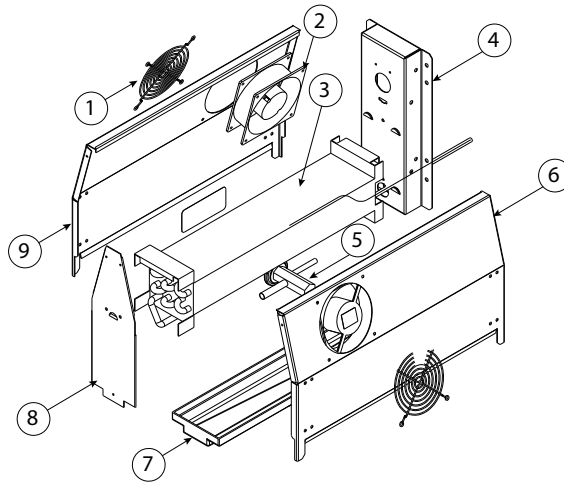
Obsolete 186114BSTM 1/3HP R404A Condensing Unit Assembly



Key	Description	Part Number	Note
	Condensing Unit Assembly, 1/3HP	000-BN5-0037-S	
1	Fan, Axial, 5.5", 120V	2160028	
2	Guard, Fan, 6.0"	2160030	
3	Shroud, Condenser Coil	026-C58-0037-S	
4	Compressor, NF7CLS	3527000	
5	Start Capacitor	2194788	
6	Filter Drier	3516322	
7	Receiver tank	3516658	[L]
8	Pan, Condensate	075-231-0030-S	
9	Condenser Coil	3516454	

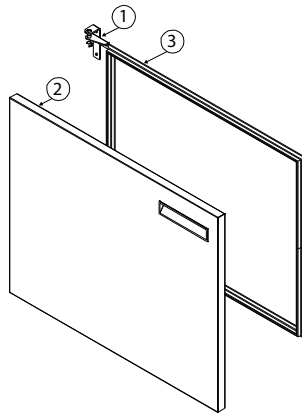
NOTE: [L] Re-piping may be required for installation.

Obsolete 186114BSTM Refrigerator Evaporator Coil Assembly



Key	Description	Part Number	Note
-	Coil Assembly, Ref	000-248-0030-S	
1	Guard, fan, 4.7"	2160024	
2	Fan, axial	2160023	
3	Coil, evaporator	3516095	
4	Back, evaporator, enclosure	030-232-0003-S	
5	Expansion valve, 1/4	3516273	
6	Side, coil, angled, Right	030-233-0001-S	
7	Drip pan, evaporator	075-231-0033-S	
8	Front, coil	030-234-0003-S	
9	Side, coil, angled, Left	030-233-0002-S	
-	Harness, coil	2184317	
-	Probe, Defrost, Thermostat	2194808	
-	Probe, Temp, Sensor	2194809	

Obsolete 186114BSTM Door Assembly Parts



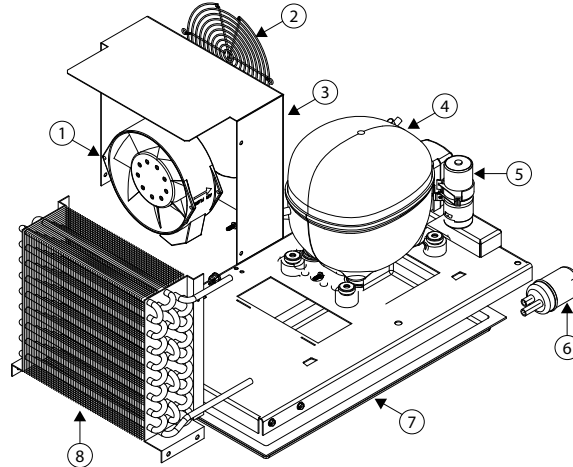
Key	Description	Part Number	Note
1	Hinge Kit	0160179	
2	Door Assembly, Ref, 32X26, LT, 430	000-187-0084-S	
2	Door Assembly, Ref, 32X26, RT, 430	000-187-0083-S	
3	32" Door Gasket	1701186	

18648BST-E Components

18648BST-E Common Components

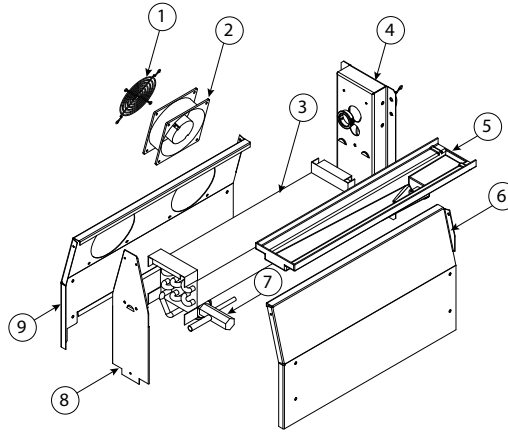
Key	Description	Part Number	Note
	Caster, 5, Plate, Swivel	3234198	
	Caster, 5, Plate, Swivel, Brake	3234199	
	Control Assembly, Defrost, 220V, Ref	RF000090	
	Panel, Louver, 15, Hanging	359-478-0042-S	
	Screw, Shelf Support, 1.5"	9321132	
	Shelf, Wire, 27"	3978014	
	Shelf Support, 1"	3234290	
	Switch, Rocker, 20A/125V,	2194400	

18648BST-E 220V/50Hz 1/5HP R404A Condensing Unit Assembly



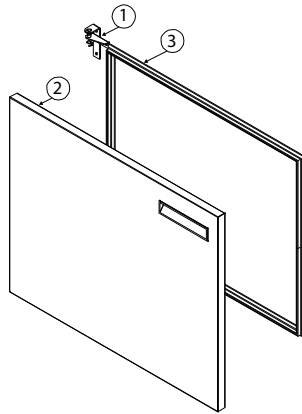
Key	Description	Part Number	Note
-	Condensing Unit Assembly, 1/5HP	000-BN5-003i-S	
1	Fan, Axial, 5.5", 230V	2160029	
2	Guard, Fan, 6.0"	2160030	
3	Shroud, Condenser Coil	026-C58-0037-S	
4	Compressor, 1/5HP, 220/50, TL4CL	3526994	
5	Start Capacitor	3516451	
5	Compressor, Relay	3516452	
6	Filter Dryer	3516322	
7	Condensate Pan	039-231-0030-S	
8	Condenser Coil	3516454	

18648BST-E 220V R404A Fans Left Evaporator Coil Assembly



Key	Description	Part Number	Note
-	Coil Assembly, R404A, 220V, Ref, Fan Lt	000-248-003D-S	
1	Guard, fan, 4.7"	2160024	
2	Fan, axial, 230V	2160025	
3	Coil, evaporator	3516095	
4	Back, evaporator, enclosure	030-232-0003-S	
5	Drip pan, evaporator	000-BNH-0030-S	
6	Side, coil, angled, Rt, Blank	030-233-0038-S	
7	Expansion valve, 1/4, R-404a	MCP00140	
8	Front, coil	030-234-0003-S	
9	Side, Coil, Angled, Lt, 2Fan	030-233-0039-S	
-	Harness, coil	2184317	
-	Probe, Defrost, Danfoss, Control	2194808	
-	Probe, Temp, Sensor, Danfoss	2194809	

18648BST-E Door Assembly Parts

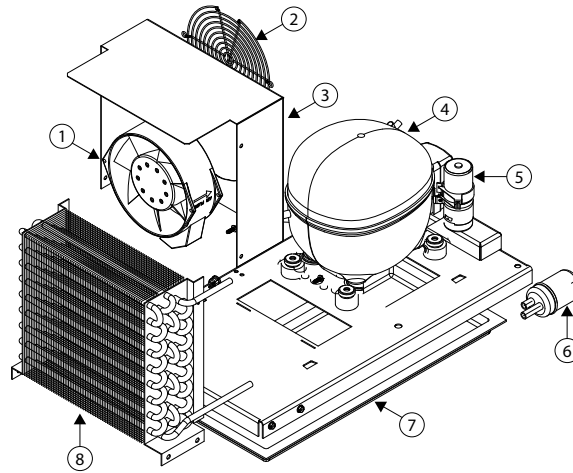


Key	Description	Part Number	Note
1	Hinge Kit	0160179	
2	Door Assembly, Ref, 27X26, LT, 430	000-187-0082-S	
2	Door Assembly, Ref, 27X26, RT,430	000-187-0081-S	
3	Gasket, Door, 27, Mark7	1701185	

18660BST-E Components

18660BST-E Common Components

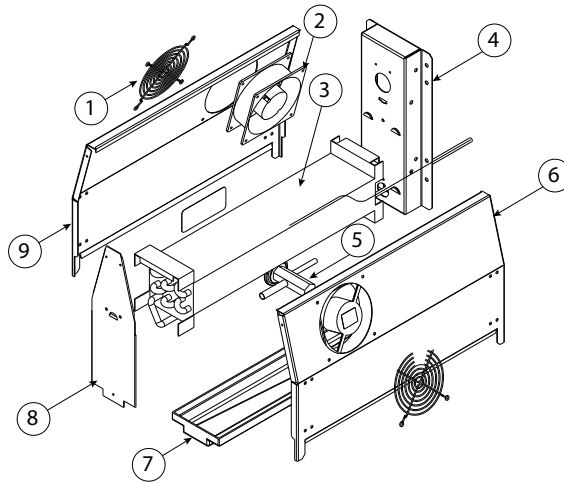
Key	Description	Part Number	Note
	Caster, 5, Plate, Swivel	3234198	
	Caster, 5, Plate, Swivel, Brake	3234199	
	Control Assembly, Defrost, 220V, Ref	RF000090	
	Panel, Louver, 14, Hanging	359-478-0040-S	
	Screw, Shelf Support, 1.5"	9321132	
	Shelf, Wire, 19X32DP	3977984	
	Shelf, Wire, 27"	3978014	
	Shelf Support, 1"	3234290	
	Switch, Rocker, 20A/125V,	2194400	



18660BST-E 220V/50Hz 1/5HP R404A Condensing Unit Assembly

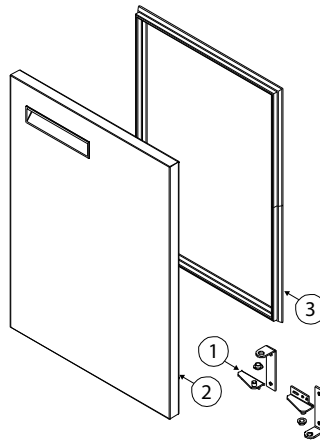
Key	Description	Part Number	Note
-	Condensing Unit Assembly, 1/5HP	000-BN5-003i-S	
1	Fan, Axial, 5.5"; 230V	2160029	
2	Guard, Fan, 6.0"	2160030	
3	Shroud, Condenser Coil	026-C58-0037-S	
4	Compressor, 1/5HP, 220/50, TL4CL	3526994	
5	Start Capacitor	3516451	
5	Compressor, Relay	3516452	
6	Filter Dryer	3516322	
7	Condensate Pan	039-231-0030-S	
8	Condenser Coil	3516454	

18660BST-E 220V R404A Refrigerator Evaporator Coil Assembly



Key	Description	Part Number	Note
-	Coil Assembly, R404A, Ref	000-248-0033-S	
1	Guard, fan, 4.7"	2160024	
2	Fan, axial, 230V	2160025	
3	Coil, evaporator	3516095	
4	Back, evaporator, enclosure	030-232-0003-S	
5	Expansion valve, 1/4, R-404a	MCP00140	
6	Side, coil, angled, Rt	030-233-0001-S	
7	Drip pan, evaporator	000-BNH-0030-S	
8	Front, coil	030-234-0003-S	
9	Side, coil, angled, Lt	030-233-0002-S	
-	Harness, coil	2184317	
-	Probe, Defrost, Danfoss, Control	2194808	
-	Probe, Temp, Sensor, Danfoss	2194809	

18660BST-E Door Assembly Parts



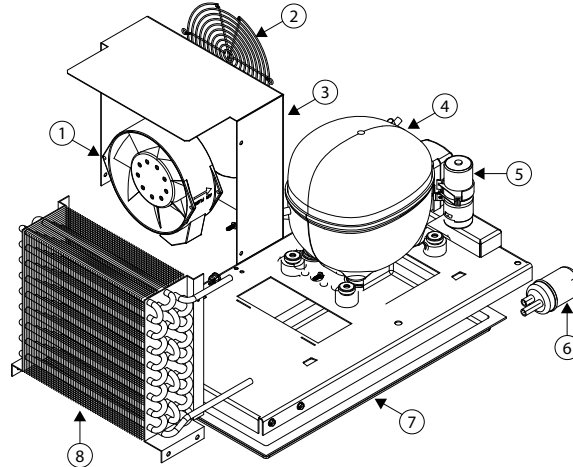
Key	Description	Part Number	Note
1	Hinge Kit	0160179	
2	Door Assembly, Ref, 19X26, LT, 430	000-187-007Y-S	
2	Door Assembly, Ref, 19X26, RT, 430	000-187-007X-S	
2	Door Assembly, Ref, 27X26, LT, 430	000-187-0082-S	
2	Door Assembly, Ref, 27X26, RT, 430	000-187-0081-S	
3	Gasket, Door, 19, Mark7	1701183	
3	Gasket, Door, 27, Mark7	1701185	

18672BST-E Components

18672BST-E Common Components

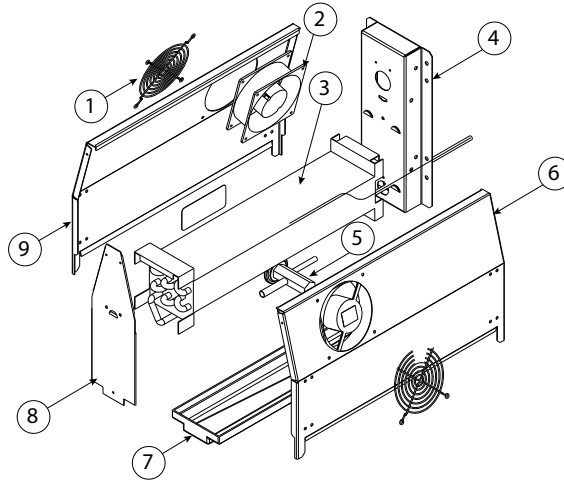
Key	Description	Part Number	Note
	Caster, 5, Plate, Swivel	3234198	
	Caster, 5, Plate, Swivel, Brake	3234199	
	Control Assembly, Defrost, 220V, Ref	RF000090	
	Panel, Louver, 18, Hanging	359-478-0041-S	
	Screw, Shelf Support, 1.5"	9321132	
	Shelf, Wire, 27"	3978014	
	Shelf Support, 1"	3234290	
	Switch, Rocker, 20A/125V,	2194400	

18672BST-E 220V/50Hz 1/4HP R404A Condensing Unit Assembly



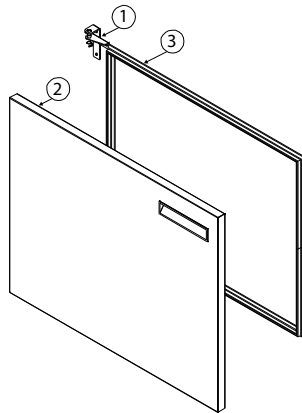
Key	Description	Part Number	Note
-	Condensing Unit Assembly, 1/4HP	000-BN5-003J-S	
1	Fan, Axial, 5.5", 230V	2160029	
2	Guard, Fan, 6.0"	2160030	
3	Shroud, Condenser Coil	026-C58-0037-S	
4	Compressor, NL7CLX, 220V/50Hz	3527013	
5	Start Capacitor	2194821	
5	Comp, Relay, Overload, NF5.5CLX	2194820	
6	Filter Dryer	3516322	
7	Condensate Pan	039-231-0030-S	
8	Condenser Coil	3516454	

18672BST-E 220V R404A Refrigerator Evaporator Coil Assembly



Key	Description	Part Number	Note
-	Coil Assembly, R404A, Ref	000-248-0033-S	
1	Guard, fan, 4.7"	2160024	
2	Fan, axial, 230V	2160025	
3	Coil, evaporator	3516095	
4	Back, evaporator, enclosure	030-232-0003-S	
5	Expansion valve, 1/4, R-404a	MCP00140	
6	Side, coil, angled, Rt	030-233-0001-S	
7	Drip pan, evaporator	000-BNH-0030-S	
8	Front, coil	030-234-0003-S	
9	Side, coil, angled, Lt	030-233-0002-S	
-	Harness, coil	2184317	
-	Probe, Defrost, Danfoss, Control	2194808	
-	Probe, Temp, Sensor, Danfoss	2194809	

18672BST-E Door Assembly Parts



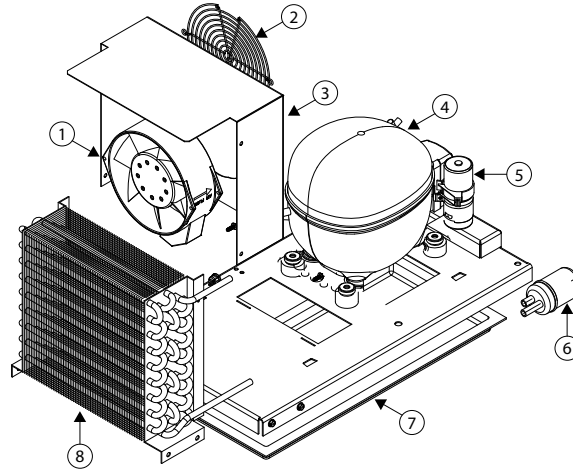
Key	Description	Part Number	Note
1	Hinge Kit	0160179	
2	Door Assembly, Ref, 27X26, LT, 430	000-187-0082-S	
2	Door Assembly, Ref, 27X26, RT, 430	000-187-0081-S	
3	Gasket, Door, 27, Mark7	1701185	

18691BST-E Components

18691BST-E Common Components

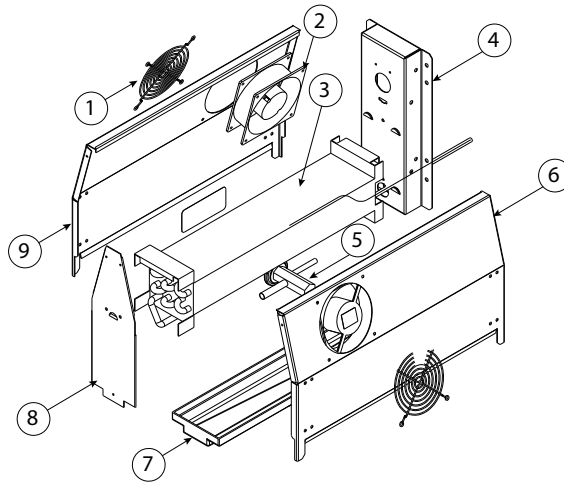
Key	Description	Part Number	Note
	Caster, 5, Plate, Swivel	3234198	
	Caster, 5, Plate, Swivel, Brake	3234199	
	Control Assembly, Defrost, 220V, Ref	RF000090	
	Panel, Louver, 18, Hanging	359-478-0041-S	
	Screw, Shelf Support, 1.5"	9321132	
	Shelf, Wire, 19X32DP	3977984	
	Shelf, Wire, 27"	3978014	
	Shelf Support, 1"	3234290	
	Switch, Rocker, 20A/125V,	2194400	

18691BST-E 220V/50Hz 1/4HP R404A Condensing Unit Assembly



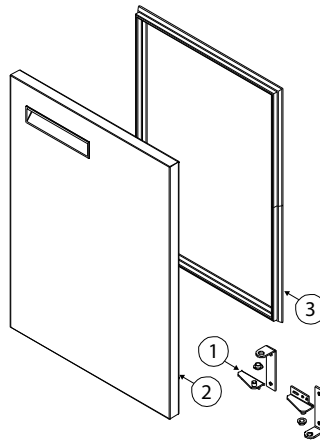
Key	Description	Part Number	Note
-	Condensing Unit Assembly, 1/4HP	000-BN5-003J-S	
1	Fan, Axial, 5.5", 230V	2160029	
2	Guard, Fan, 6.0"	2160030	
3	Shroud, Condenser Coil	026-C58-0037-S	
4	Compressor, NL7CLX, 220V/50Hz	3527013	
5	Start Capacitor	2194821	
5	Comp, Relay, Overload, NF5.5CLX	2194820	
6	Filter Dryer	3516322	
7	Condensate Pan	039-231-0030-S	
8	Condenser Coil	3516454	

18691BST-E 220V R404A Refrigerator Evaporator Coil Assembly



Key	Description	Part Number	Note
-	Coil Assembly, R404A, Ref	000-248-0033-S	
1	Guard, fan, 4.7"	2160024	
2	Fan, axial, 230V	2160025	
3	Coil, evaporator	3516095	
4	Back, evaporator, enclosure	030-232-0003-S	
5	Expansion valve, 1/4, R-404a	MCP00140	
6	Side, coil, angled, Rt	030-233-0001-S	
7	Drip pan, evaporator	000-BNH-0030-S	
8	Front, coil	030-234-0003-S	
9	Side, coil, angled, Lt	030-233-0002-S	
-	Harness, coil	2184317	
-	Probe, Defrost, Danfoss, Control	2194808	
-	Probe, Temp, Sensor, Danfoss	2194809	

18691BST-E Door Assembly Parts



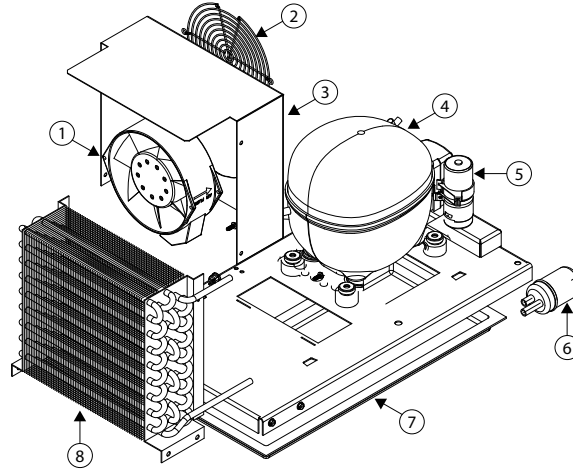
Key	Description	Part Number	Note
1	Hinge Kit	0160179	
2	Door Assembly, Ref, 19X26, LT, 430	000-187-007Y-S	
2	Door Assembly, Ref, 19X26, RT, 430	000-187-007X-S	
2	Door Assembly, Ref, 27X26, LT, 430	000-187-0082-S	
2	Door Assembly, Ref, 27X26, RT, 430	000-187-0081-S	
3	Gasket, Door, 19, Mark7	1701183	
3	Gasket, Door, 27, Mark7	1701185	

18699BST-E Components

18699BST-E Common Components

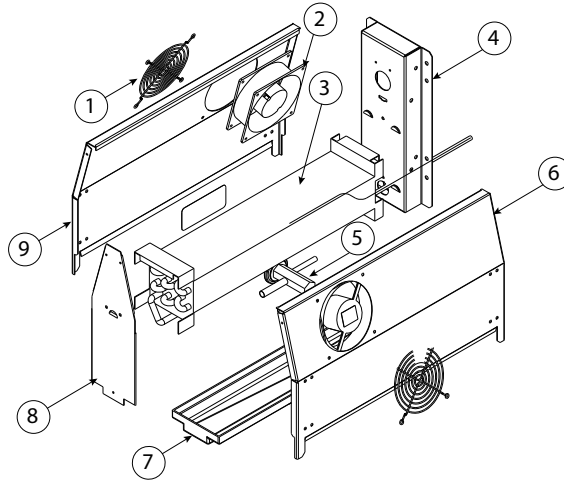
Key	Description	Part Number	Note
	Caster, 5, Plate, Swivel	3234198	
	Caster, 5, Plate, Swivel, Brake	3234199	
	Control Assembly, Defrost, 220V, Ref	RF000090	
	Panel, Louver, 18, Hanging	359-478-0041-S	
	Screw, Shelf Support, 1.5"	9321132	
	Shelf, Wire, 27"	3978014	
	Shelf Support, 1"	3234290	
	Switch, Rocker, 20A/125V,	2194400	

18699BST-E 220V/50Hz 1/4HP R404A Condensing Unit Assembly



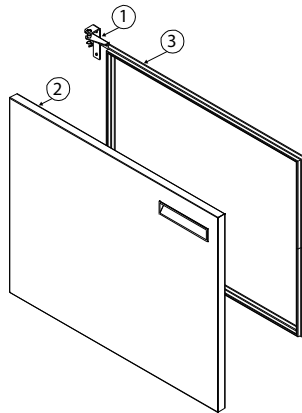
Key	Description	Part Number	Note
-	Condensing Unit Assembly, 1/4HP	000-BN5-003J-S	
1	Fan, Axial, 5.5", 230V	2160029	
2	Guard, Fan, 6.0"	2160030	
3	Shroud, Condenser Coil	026-C58-0037-S	
4	Compressor, NL7CLX, 220V/50Hz	3527013	
5	Start Capacitor	2194821	
5	Comp, Relay, Overload, NF5.5CLX	2194820	
6	Filter Dryer	3516322	
7	Condensate Pan	039-231-0030-S	
8	Condenser Coil	3516454	

18699BST-E 220V R404A Refrigerator Evaporator Coil Assembly



Key	Description	Part Number	Note
-	Coil Assembly, R404A, Ref	000-248-0033-S	
1	Guard, fan, 4.7"	2160024	
2	Fan, axial, 230V	2160025	
3	Coil, evaporator	3516095	
4	Back, evaporator, enclosure	030-232-0003-S	
5	Expansion valve, 1/4, R-404a	MCP00140	
6	Side, coil, angled, Rt	030-233-0001-S	
7	Drip pan, evaporator	000-BNH-0030-S	
8	Front, coil	030-234-0003-S	
9	Side, coil, angled, Lt	030-233-0002-S	
-	Harness, coil	2184317	
-	Probe, Defrost, Danfoss, Control	2194808	
-	Probe, Temp, Sensor, Danfoss	2194809	

18699BST-E Door Assembly Parts



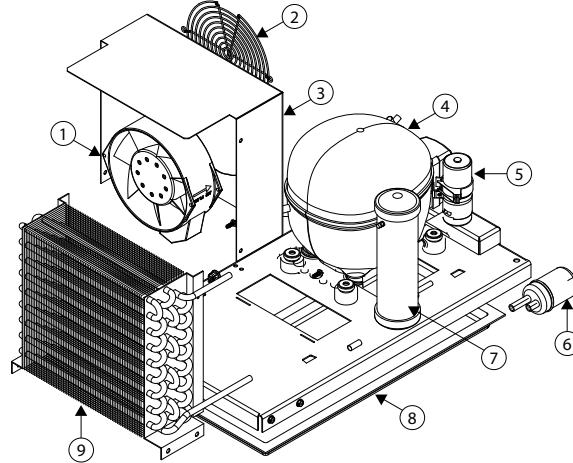
Key	Description	Part Number	Note
1	Hinge Kit	0160179	
2	Door Assembly, Ref, 27X26, LT, 430	000-187-0082-S	
2	Door Assembly, Ref, 27X26, RT, 430	000-187-0081-S	
3	Gasket, Door, 27, Mark7	1701185	

186114BST-E Components

186114BST-E Common Components

Key	Description	Part Number	Note
	Caster, 5, Plate, Swivel	3234198	
	Caster, 5, Plate, Swivel, Brake	3234199	
	Control Assembly, Defrost, 220V, Ref	RF000090	
	Panel, Louver, 18, Hanging	359-478-0041-S	
	Screw, Shelf Support, 1.5"	9321132	
	Shelf, Wire, 32X32DP	3977983	
	Shelf Support, 1"	3234290	
	Switch, Rocker, 20A/125V,	2194400	

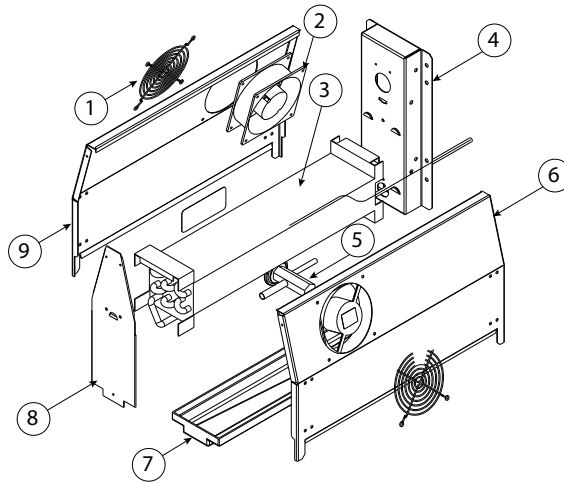
186114BST-E 220V/50Hz 1/3HP, R404A Condensing Unit Assembly



Key	Description	Part Number	Note
-	Condensing Unit Assembly, 1/3HP	000-BN5-003M-S	
1	Fan, Axial, 5.5", 230V	2160029	
2	Guard, Fan, 6.0"	2160030	
3	Shroud, Condenser Coil	026-C58-0037-S	
4	Compress, NL8.4CLX, 220V, 50Hz	3527012	
6	Filter Drier	3516322	
7	Receiver tank	3516658	[L]
8	Pan, Condensate	039-231-0030-S	
9	Condenser Coil	3516454	
-	Hi Pressure Cutout	3516324	

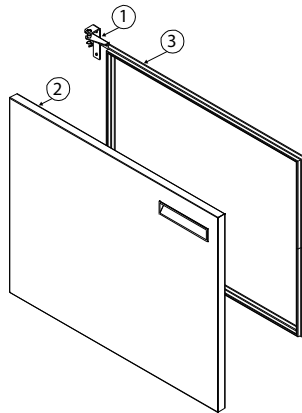
NOTE: [L] Re-piping may be required for installation.

186114BST-E 220V R404A Refrigerator Evaporator Coil Assembly



Key	Description	Part Number	Note
-	Coil Assembly, R404A, Ref	000-248-0033-S	
1	Guard, fan, 4.7"	2160024	
2	Fan, axial, 230V	2160025	
3	Coil, evaporator	3516095	
4	Back, evaporator, enclosure	030-232-0003-S	
5	Expansion valve, 1/4, R-404a	MCP00140	
6	Side, coil, angled, Rt	030-233-0001-S	
7	Drip pan, evaporator	000-BNH-0030-S	
8	Front, coil	030-234-0003-S	
9	Side, coil, angled, Lt	030-233-0002-S	
-	Harness, coil	2184317	
-	Probe, Defrost, Danfoss, Control	2194808	
-	Probe, Temp, Sensor, Danfoss	2194809	

186114BST-E Door Assembly Parts



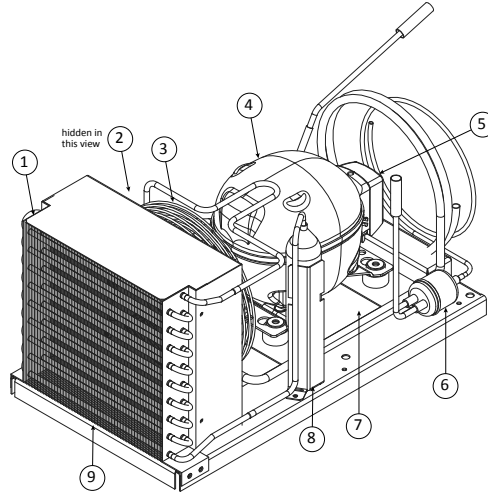
Key	Description	Part Number	Note
1	Hinge Kit	0160179	
2	Door Assembly, Ref, 32X26, LT, 430	000-187-0084-S	
2	Door Assembly, Ref, 32X26, RT, 430	000-187-0083-S	
3	32" Door Gasket	1701186	

18648BUCMP Components

18648BUCMP R290 Common Components

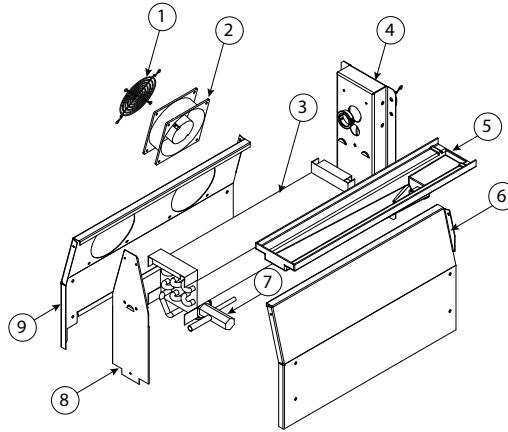
Key	Description	Part Number	Note
	Appliance Switch	2198717	
	Caster, 5, Plate, Swivel	3234198	
	Caster, 5, Plate, Swivel, Brake	3234199	
	Control Assembly, Refg, MK7	000-CZ0-0061KT-S	
	Panel, Louver, 15, Hanging	359-478-0042-S	
	Screw, Shelf Support, 1.5"	9321132	
	Shelf, Wire, 27"	3978014	
	Shelf Support, 1"	3234290	

18648BUCMP 1/5HP R290 Condensing Unit Assembly



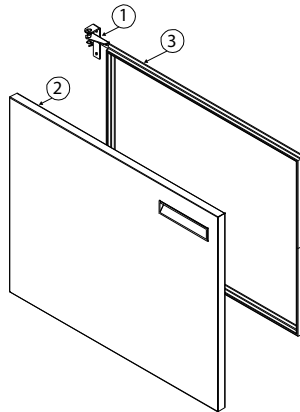
Key	Description	Part Number	Note
-	1/5 Condensing Unit Assembly, R290	000-BN5-007U-S	
1	Shroud, Condenser Coil	026-C58-003B-S	
2	Motor, Fan, 9W, 115V, Unit Bearing	2162717	
2	Blade, Fan, 7.25" Dia, 37Deg, CW	3516480	
3	Guard, Fan, 7.25"	2160020	
4	Compressor, R290, Danfoss, DLE4.0CN	3527162	
5	Start Capacitor	3520010	
5	Compressor, Relay	3520009	
6	Filter Dryer, (2) Inlet	3516478	
7	Condensate Pan	039-231-0030-S	
8	Receiver Tank, R290	3510004	
9	Condenser Coil, 1/5HP, R290	3510002	

18648BUCMP Fans Left Refrigerator Evaporator Coil Assembly



Key	Description	Part Number	Note
-	Coil Assembly, Ref, Fan Lt	000-248-003Z-S	
1	Guard, fan, 4.7"	2160024	
2	Fan, axial	2160023	
3	Coil, evaporator	3510005	
4	Back, evaporator, enclosure	030-232-0003-S	
5	Drip pan, evaporator	000-BNH-0030-S	
6	Side, coil, angled, Rt, Blank	030-233-0038-S	
7	Expansion valve, 1/4	3517414	
8	Front, coil	030-234-0003-S	
9	Side, Coil, Angled, Lt, 2Fan	030-233-0039-S	
-	Harness, coil	2184317	
-	Probe, Defrost, Thermostat	2194808	
-	Probe, Temp, Sensor	2194809	

18648BUCMP Door Assembly Parts



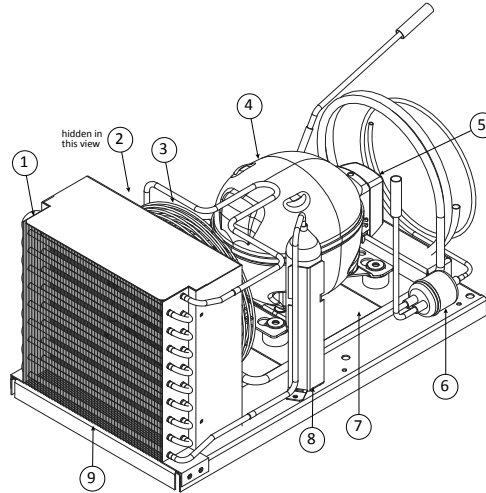
Key	Description	Part Number	Note
1	Hinge Kit	0160179	
2	Door Assembly, Ref, 27X26, LT, 430	000-187-0082-S	
2	Door Assembly, Ref, 27X26, RT,430	000-187-0081-S	
3	Gasket, Door, 27, Mark7	1701185	

18660BUCMP Components

18660BUCMP R290 Common Components

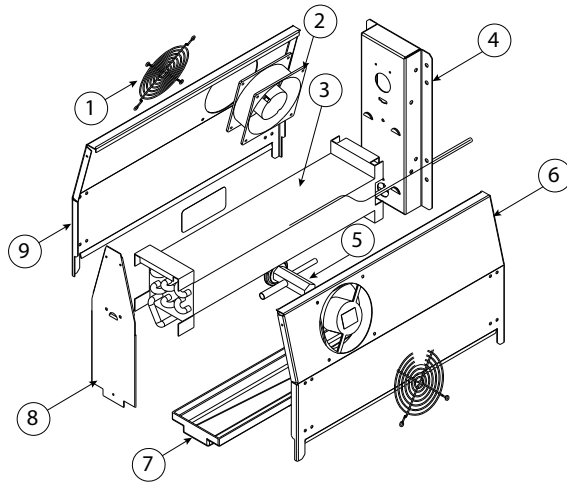
Key	Description	Part Number	Note
	Appliance Switch	2198717	
	Caster, 5, Plate, Swivel	3234198	
	Caster, 5, Plate, Swivel, Brake	3234199	
	Control Assembly, Refg, MK7	000-CZ0-0061KT-S	
	Panel, Louver, 14, Hanging	359-478-0040-S	
	Screw, Shelf Support, 1.5"	9321132	
	Shelf, Wire, 19X32DP	3977984	
	Shelf, Wire, 27"	3978014	
	Shelf Support, 1"	3234290	

18660BUCMP 1/5HP R290 Condensing Unit Assembly



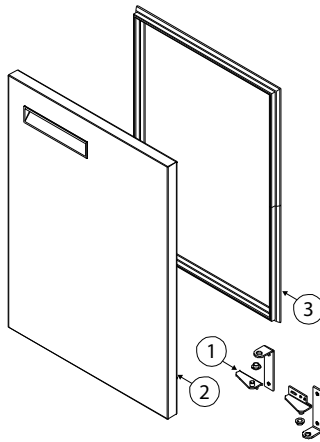
Key	Description	Part Number	Note
-	1/5 Condensing Unit Assembly, R290	000-BN5-007U-S	
1	Shroud, Condenser Coil	026-C58-003B-S	
2	Motor, Fan, 9W, 115V, Unit Bearing	2162717	
2	Blade, Fan, 7.25" Dia, 37Deg, CW	3516480	
3	Guard, Fan, 7.25"	2160020	
4	Compressor, R290, Danfoss, DLE4.0CN	3527162	
5	Start Capacitor	3520010	
5	Compressor, Relay	3520009	
6	Filter Dryer, (2) Inlet	3516478	
7	Condensate Pan	039-231-0030-S	
8	Receiver Tank, R290	3510004	
9	Condenser Coil, 1/5HP, R290	3510002	

18660BUCMP Refrigerator Evaporator Coil Assembly



Key	Description	Part Number	Note
-	Coil Assembly, Ref	000-248-003T-S	
1	Guard, fan, 4.7"	2160024	
2	Fan, axial	2160023	
3	Coil, evaporator	3510005	
4	Back, evaporator, enclosure	030-232-0003-S	
5	Expansion valve, 1/4	3517414	
6	Side, coil, angled, Right	030-233-0001-S	
7	Drip pan, evaporator	000-BNH-0030-S	
8	Front, coil	030-234-0003-S	
9	Side, coil, angled, Left	030-233-0002-S	
-	Harness, coil	2184317	
-	Probe, Defrost, Thermostat	2194808	
-	Probe, Temp, Sensor	2194809	

18660BUCMP Door Assembly Parts



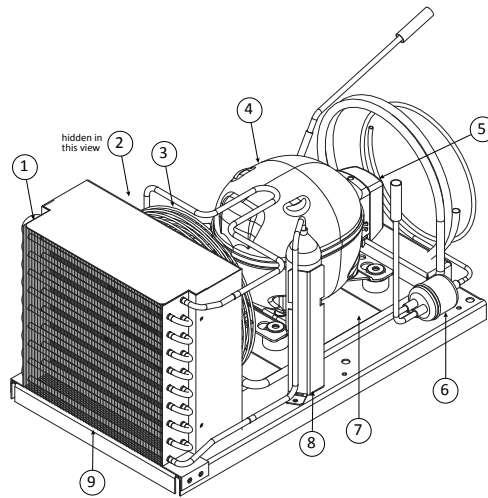
Key	Description	Part Number	Note
1	Hinge Kit	0160179	
2	Door Assembly, Ref, 19X26, LT, 430	000-187-007Y-S	
2	Door Assembly, Ref, 19X26, RT, 430	000-187-007X-S	
2	Door Assembly, Ref, 27X26, LT, 430	000-187-0082-S	
2	Door Assembly, Ref, 27X26, RT, 430	000-187-0081-S	
3	Gasket, Door, 19, Mark7	1701183	
3	Gasket, Door, 27, Mark7	1701185	

18672BUCMP Components

18672BUCMP R290 Common Components

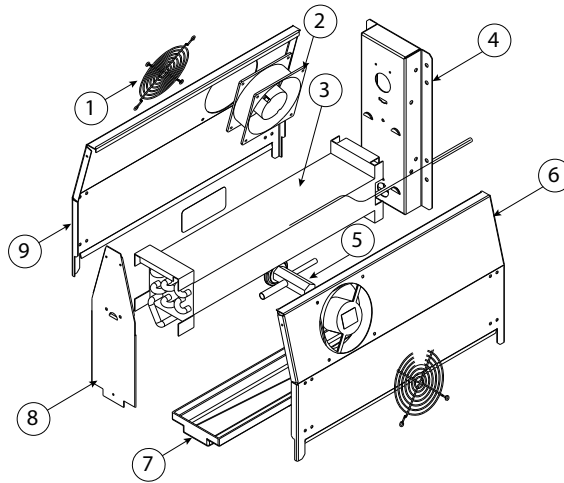
Key	Description	Part Number	Note
	Appliance Switch	2198717	
	Caster, 5, Plate, Swivel	3234198	
	Caster, 5, Plate, Swivel, Brake	3234199	
	Control Assembly, Refg, MK7	000-CZ0-0061KT-S	
	Panel, Louver, 18, Hanging	359-478-0041-S	
	Screw, Shelf Support, 1.5"	9321132	
	Shelf, Wire, 27"	3978014	
	Shelf Support, 1"	3234290	

18672BUCMP 1/5HP R290 Condensing Unit Assembly



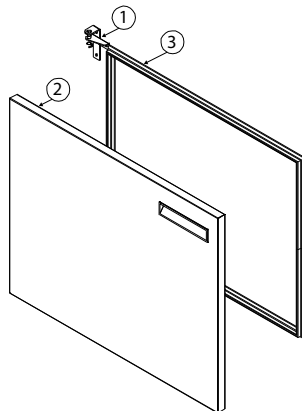
Key	Description	Part Number	Note
-	1/5 Condensing Unit Assembly, R290	000-BN5-007U-S	
1	Shroud, Condenser Coil	026-C58-003B-S	
2	Motor, Fan, 9W, 115V, Unit Bearing	2162717	
2	Blade, Fan, 7.25" Dia, 37Deg, CW	3516480	
3	Guard, Fan, 7.25"	2160020	
4	Compressor, R290, Danfoss, DLE4.0CN	3527162	
5	Start Capacitor	3520010	
5	Compressor, Relay	3520009	
6	Filter Dryer, (2) Inlet	3516478	
7	Condensate Pan	039-231-0030-S	
8	Receiver Tank, R290	3510004	
9	Condenser Coil, 1/5HP, R290	3510002	

18672BUCMP Refrigerator Evaporator Coil Assembly



Key	Description	Part Number	Note
-	Coil Assembly, Ref	000-248-003T-S	
1	Guard, fan, 4.7"	2160024	
2	Fan, axial	2160023	
3	Coil, evaporator	3510005	
4	Back, evaporator, enclosure	030-232-0003-S	
5	Expansion valve, 1/4	3517414	
6	Side, coil, angled, Right	030-233-0001-S	
7	Drip pan, evaporator	000-BNH-0030-S	
8	Front, coil	030-234-0003-S	
9	Side, coil, angled, Left	030-233-0002-S	
-	Harness, coil	2184317	
-	Probe, Defrost, Thermostat	2194808	
-	Probe, Temp, Sensor	2194809	

18672BUCMP Door Assembly Parts



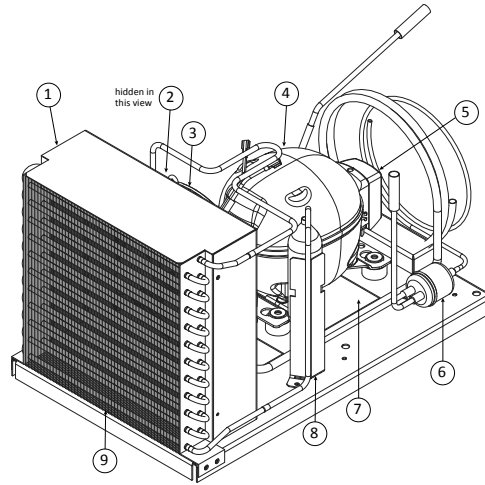
Key	Description	Part Number	Note
1	Hinge Kit	0160179	
2	Door Assembly, Ref, 27X26, LT, 430	000-187-0082-S	
2	Door Assembly, Ref, 27X26, RT,430	000-187-0081-S	
3	Gasket, Door, 27, Mark7	1701185	

18691BUCMP Components

18691BUCMP R290 Common Components

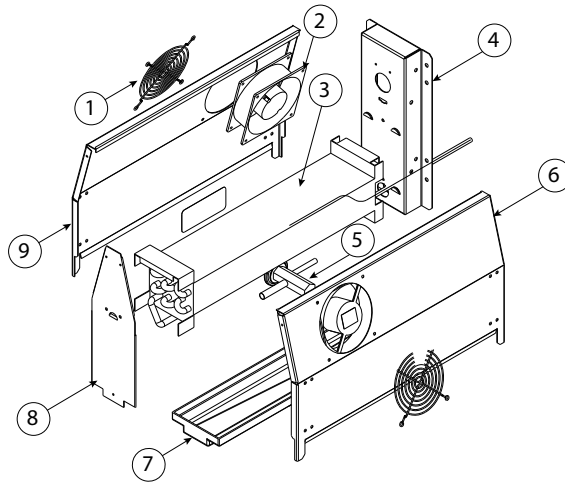
Key	Description	Part Number	Note
	Appliance Switch	2198717	
	Caster, 5, Plate, Swivel	3234198	
	Caster, 5, Plate, Swivel, Brake	3234199	
	Control Assembly, Refg, MK7	000-CZ0-0061KT-S	Built before 12-1-17
	Control Assembly, Refg, MK7, Dual Def	000-CZ0-0086KT-S	Built after 12-1-17
	Panel, Louver, 18, Hanging	359-478-0041-S	
	Screw, Shelf Support, 1.5"	9321132	
	Shelf, Wire, 19X32DP	3977984	
	Shelf, Wire, 27"	3978014	
	Shelf Support, 1"	3234290	

18691BUCMP 1/4HP R290 Condensing Unit Assemblies



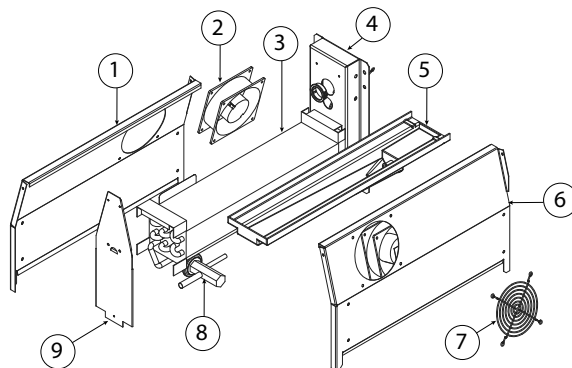
Key	Description	Part Number	Note
-	Condensing Unit Assembly, 1/4HP, R290	000-BN5-007V-S	
1	Shroud	026-C58-003C-S	
2	Blade, CW, (7.25")	3516480	
2	Motor, Fan, 115V, Unit Bearing, (9W)	2162717	
3	Guard, Fan, (7.25")	2160020	
4	Compressor, R290, Danfoss, DLE5.7CN	3527163	
5	Capacitor, Start, 320MFD	3520010	
5	Compressor, Relay, Overload, NF7CLX	3520011	
6	Drier, Filter, (2)Inlet	3516478	
7	Pan, Condensate, SM	039-231-0030-S	
8	Receiver Tank, R290	3510004	
9	Coil, Condenser, R290	3510003	

18691BUCMP Refrigerator Evaporator Coil Assembly



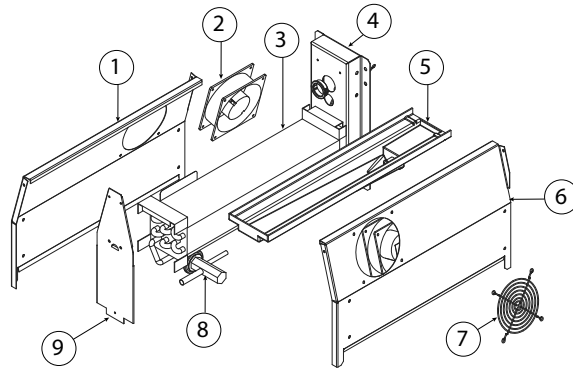
Key	Description	Part Number	Note
-	Coil Assembly, Ref	000-248-003T-S	
1	Guard, fan, 4.7"	2160024	
2	Fan, axial	2160023	
3	Coil, evaporator	3510005	
4	Back, evaporator, enclosure	030-232-0003-S	
5	Expansion valve, 1/4	3517414	
6	Side, coil, angled, Right	030-233-0001-S	
7	Drip pan, evaporator	000-BNH-0030-S	
8	Front, coil	030-234-0003-S	
9	Side, coil, angled, Left	030-233-0002-S	
-	Harness, coil	2184317	
-	Probe, Defrost, Thermostat	2194808	
-	Probe, Temp, Sensor	2194809	

18691BUCMP Defrost Probe Refrigerator Evaporator Coil Assembly



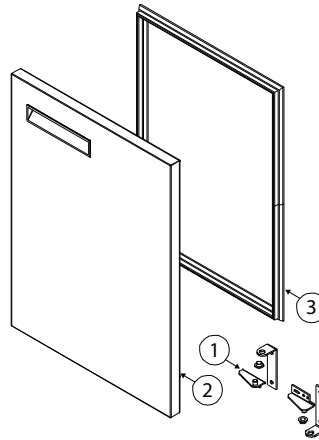
Key	Description	Part Number	Note
-	Coil Assembly, Ref, No Probes	000-248-004D-S	Built after 12-1-17
1	Side, Coil, Angled, Lt	030-233-0002-S	
2	Fan, Axial	2160023	
3	Coil, evaporator	3510005	
4	Back, evaporator, enclosure	030-232-0003-S	
5	Drip pan, evaporator	000-BNH-0030-S	
6	Side, coil, angled, Rt	030-233-0001-S	
7	Guard, fan, 4.7"	2160024	
8	Expansion valve	3517414	
9	Front, coil	030-234-0003-S	
-	Harness, coil	2184317	
-	Probe, Sensor, Defrost, Danfoss	2194833	

18691BUCMP No Probes Refrigerator Evaporator Coil Assembly



Key	Description	Part Number	Note
-	Coil Assembly, Ref, No Probes	000-248-003X-S	Built before 12-1-17
1	Side, Coil, Angled, Lt	030-233-0002-S	
2	Fan, Axial	2160023	
3	Coil, evaporator	3510005	
4	Back, evaporator, enclosure	030-232-0003-S	
5	Drip pan, evaporator	000-BNH-0030-S	
6	Side, coil, angled, Rt	030-233-0001-S	
7	Guard, fan, 4.7"	2160024	
8	Expansion valve	3517414	
9	Front, coil	030-234-0003-S	
-	Harness, coil	2184317	

18691BUCMP Door Assembly Parts



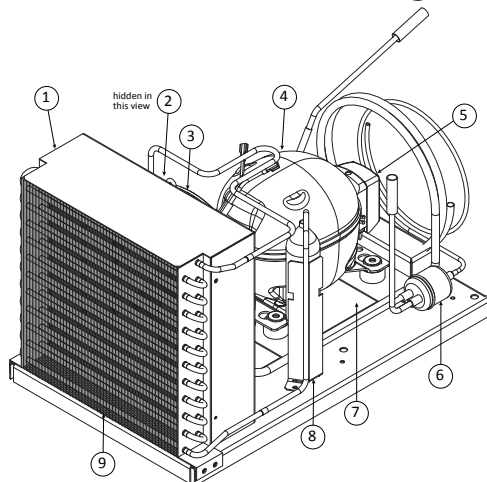
Key	Description	Part Number	Note
1	Hinge Kit	0160179	
2	Door Assembly, Ref, 19X26, LT, 430	000-187-007Y-S	
2	Door Assembly, Ref, 19X26, RT, 430	000-187-007X-S	
2	Door Assembly, Ref, 27X26, LT, 430	000-187-0082-S	
2	Door Assembly, Ref, 27X26, RT,430	000-187-0081-S	
3	Gasket, Door, 19, Mark7	1701183	
3	Gasket, Door, 27, Mark7	1701185	

18699BUCMP Components

18699BUCMP R290 Common Components

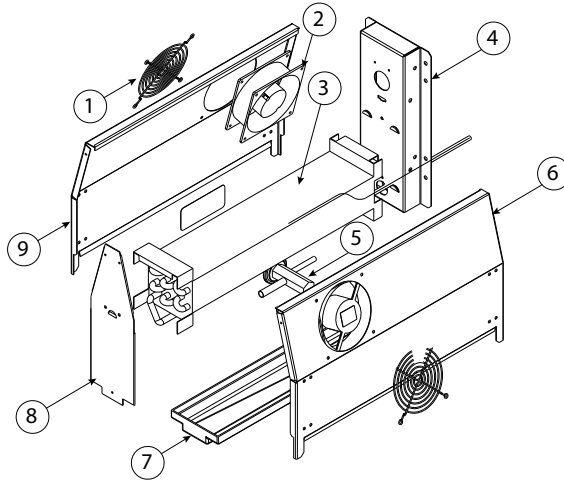
Key	Description	Part Number	Note
	Appliance Switch	2198717	
	Caster, 5, Plate, Swivel	3234198	
	Caster, 5, Plate, Swivel, Brake	3234199	
	Control Assembly, Refg, MK7	000-CZ0-0061KT-S	Built before 12-1-17
	Control Assembly, Refg, MK7, Dual Def	000-CZ0-0086KT-S	Built after 12-1-17
	Panel, Louver, 18, Hanging	359-478-0041-S	
	Screw, Shelf Support, 1.5"	9321132	
	Shelf, Wire, 27"	3978014	
	Shelf Support, 1"	3234290	

18699BUCMP 1/4HP R290 Condensing Unit Assemblies



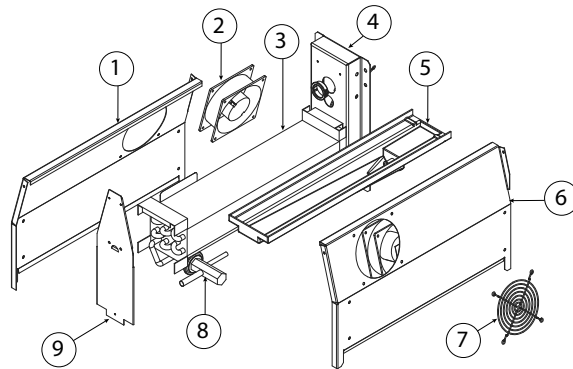
Key	Description	Part Number	Note
-	Condensing Unit Assembly, 1/4HP, R290	000-BN5-007V-S	
1	Shroud	026-C58-003C-S	
2	Blade, CW, (7.25")	3516480	
	Motor, Fan, 115V, Unit Bearing, (9W)	2162717	
3	Guard, Fan, (7.25")	2160020	
4	Compressor, R290, Danfoss, DLE5.7CN	3527163	
5	Capacitor, Start, 320MFD	3520010	
5	Compressor, Relay, Overload, NF7CLX	3520011	
6	Drier, Filter, (2)Inlet	3516478	
7	Pan, Condensate, SM	039-231-0030-S	
8	Receiver Tank, R290	3510004	
9	Coil, Condenser, R290	3510003	

18699BUCMP Refrigerator Evaporator Coil Assembly



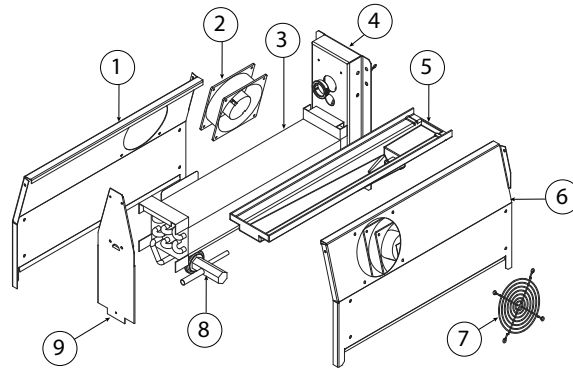
Key	Description	Part Number	Note
-	Coil Assembly, Ref	000-248-003T-S	
1	Guard, fan, 4.7"	2160024	
2	Fan, axial	2160023	
3	Coil, evaporator	3510005	
4	Back, evaporator, enclosure	030-232-0003-S	
5	Expansion valve, 1/4	3517414	
6	Side, coil, angled, Right	030-233-0001-S	
7	Drip pan, evaporator	000-BNH-0030-S	
8	Front, coil	030-234-0003-S	
9	Side, coil, angled, Left	030-233-0002-S	
-	Harness, coil	2184317	
-	Probe, Defrost, Thermostat	2194808	
-	Probe, Temp, Sensor	2194809	

18699BUCMP Defrost Probe Refrigerator Evaporator Coil Assembly



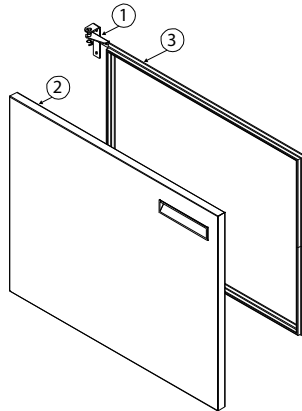
Key	Description	Part Number	Note
-	Coil Assembly, Ref, No Probes	000-248-004D-S	Built after 12-1-17
1	Side, Coil, Angled, Lt	030-233-0002-S	
2	Fan, Axial	2160023	
3	Coil, evaporator	3510005	
4	Back, evaporator, enclosure	030-232-0003-S	
5	Drip pan, evaporator	000-BNH-0030-S	
6	Side, coil, angled, Rt	030-233-0001-S	
7	Guard, fan, 4.7"	2160024	
8	Expansion valve	3517414	
9	Front, coil	030-234-0003-S	
-	Harness, coil	2184317	
-	Probe, Sensor, Defrost, Danfoss	2194833	

18699BUCMP No Probes Refrigerator Evaporator Coil Assembly



Key	Description	Part Number	Note
-	Coil Assembly, Ref, No Probes	000-248-003X-S	Built before 12-1-17
1	Side, Coil, Angled, Lt	030-233-0002-S	
2	Fan, Axial	2160023	
3	Coil, evaporator	3510005	
4	Back, evaporator, enclosure	030-232-0003-S	
5	Drip pan, evaporator	000-BNH-0030-S	
6	Side, coil, angled, Rt	030-233-0001-S	
7	Guard, fan, 4.7"	2160024	
8	Expansion valve	3517414	
9	Front, coil	030-234-0003-S	
-	Harness, coil	2184317	

18699BUCMP Door Assembly Parts



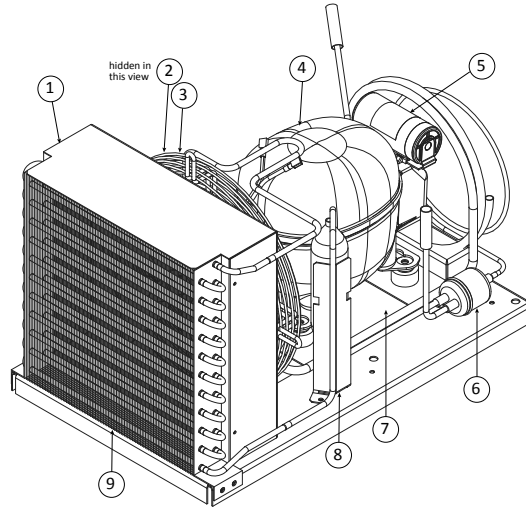
Key	Description	Part Number	Note
1	Hinge Kit	0160179	
2	Door Assembly, Ref, 27X26, LT, 430	000-187-0082-S	
2	Door Assembly, Ref, 27X26, RT,430	000-187-0081-S	
3	Gasket, Door, 27, Mark7	1701185	

186114BUCMP Components

186114BUCMP R290 Common Components

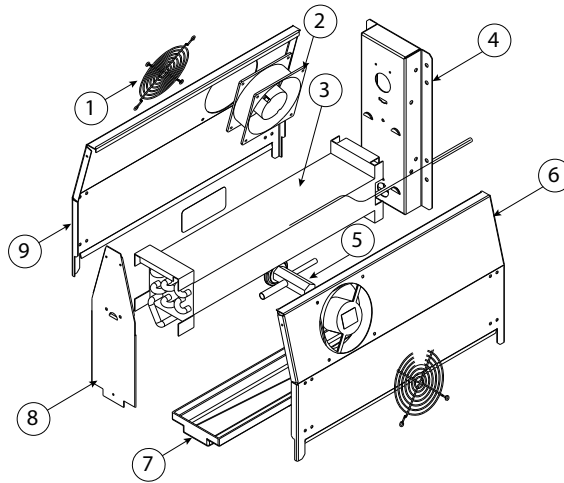
Key	Description	Part Number	Note
	Appliance Switch	2198717	
	Caster, 5, Plate, Swivel	3234198	
	Caster, 5, Plate, Swivel, Brake	3234199	
	Control Assembly, Refg, MK7	000-CZ0-0061KT-S	Built before 12-1-17
	Control Assembly, Refg, MK7, Dual Def	000-CZ0-0086KT-S	Built after 12-1-17
	Panel, Louver, 18, Hanging	359-478-0041-S	
	Screw, Shelf Support, 1.5"	9321132	
	Shelf, Wire, 32X32DP	3977983	
	Shelf Support, 1"	3234290	

186114BUCMP 1/3HP R290 Condensing Unit Assembly



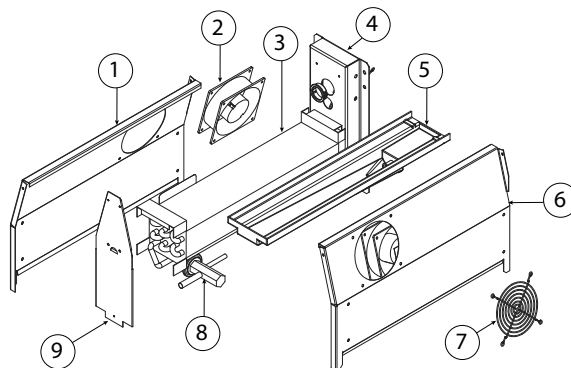
Key	Description	Part Number	Note
-	Condensing Unit Assembly, 1/3HP, R290	000-BN5-007X-S	
1	Shroud	026-C58-003D-S	
2	Blade, Fan, 25 Deg, 10", CW, Upright	3516433	
2	Motor, Fan, 16W, 115V, Unit Bearing	2162716	
3	Guard, Fan, Condenser, Upright	2160019	
4	Compressor, 1/3HP, NEU618U, R290	3527164	
5	Capacitor, Start	3520005	
5	Overload	3520004	
6	Compressor, Relay	3520003	
6	Drier, Filter, (2)Inlet	3516478	
7	Pan, Condensate, SM	039-231-0030-S	
8	Receiver Tank, R290	3510004	
9	Coil, Condenser, R290	3510003	

186114BUCMP Refrigerator Evaporator Coil Assembly



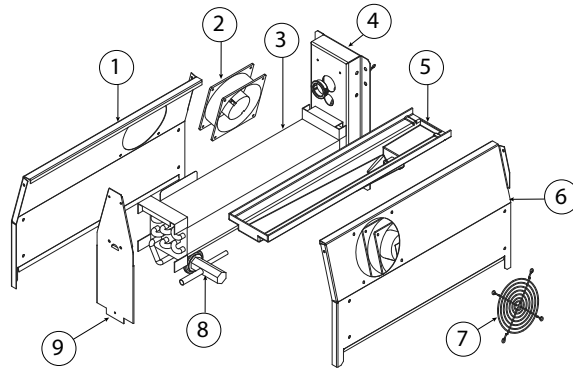
Key	Description	Part Number	Note
-	Coil Assembly, Ref	000-248-003T-S	
1	Guard, fan, 4.7"	2160024	
2	Fan, axial	2160023	
3	Coil, evaporator	3510005	
4	Back, evaporator, enclosure	030-232-0003-S	
5	Expansion valve, 1/4	3517414	
6	Side, coil, angled, Right	030-233-0001-S	
7	Drip pan, evaporator	000-BNH-0030-S	
8	Front, coil	030-234-0003-S	
9	Side, coil, angled, Left	030-233-0002-S	
-	Harness, coil	2184317	
-	Probe, Defrost, Thermostat	2194808	
-	Probe, Temp, Sensor	2194809	

186114BUCMP Defrost Probe Refrigerator Evaporator Coil Assembly



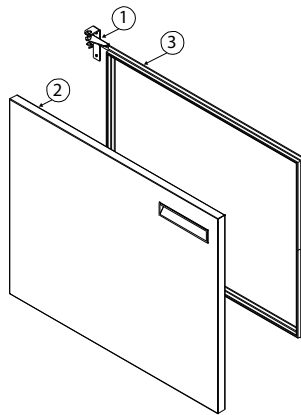
Key	Description	Part Number	Note
-	Coil Assembly, Ref, No Probes	000-248-004D-S	Built after 12-1-17
1	Side, Coil, Angled, Lt	030-233-0002-S	
2	Fan, Axial	2160023	
3	Coil, evaporator	3510005	
4	Back, evaporator, enclosure	030-232-0003-S	
5	Drip pan, evaporator	000-BNH-0030-S	
6	Side, coil, angled, Rt	030-233-0001-S	
7	Guard, fan, 4.7"	2160024	
8	Expansion valve	3517414	
9	Front, coil	030-234-0003-S	
-	Harness, coil	2184317	
-	Probe, Sensor, Defrost, Danfoss	2194833	

186114BUCMP No Probes Refrigerator Evaporator Coil Assembly



Key	Description	Part Number	Note
-	Coil Assembly, Ref, No Probes	000-248-003X-S	Built before 12-1-17
1	Side, Coil, Angled, Lt	030-233-0002-S	
2	Fan, Axial	2160023	
3	Coil, evaporator	3510005	
4	Back, evaporator, enclosure	030-232-0003-S	
5	Drip pan, evaporator	000-BNH-0030-S	
6	Side, coil, angled, Rt	030-233-0001-S	
7	Guard, fan, 4.7"	2160024	
8	Expansion valve	3517414	
9	Front, coil	030-234-0003-S	
-	Harness, coil	2184317	

186114BUCMP Door Assembly Parts



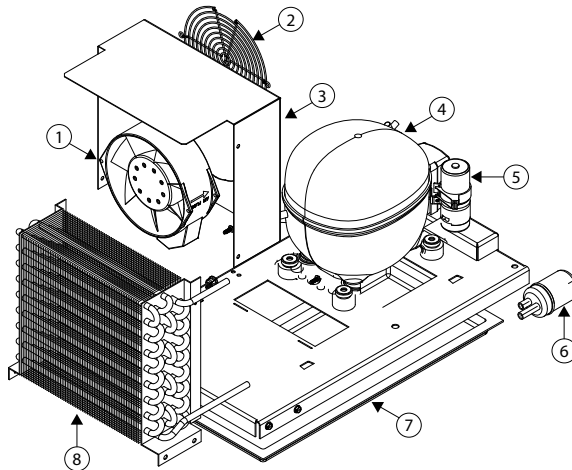
Key	Description	Part Number	Note
1	Hinge Kit	0160179	
2	Door Assembly, Ref, 32X26, LT, 430	000-187-0084-S	
2	Door Assembly, Ref, 32X26, RT, 430	000-187-0083-S	
3	32" Door Gasket	1701186	

Obsolete 18648BUCM Components

Obsolete 18648BUCM R404A Common Components

R404A replacement parts only. Unit is no longer in production as of 3-30-17.

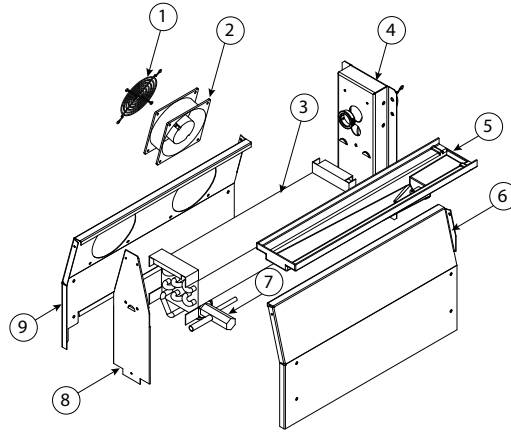
Key	Description	Part Number	Note
	Caster, 5, Plate, Swivel	3234198	
	Caster, 5, Plate, Swivel, Brake	3234199	
	Control, Danfoss, GDM, 115V	RF000084	
	Panel, Louver, 15, Hanging	359-478-0042-S	
	Screw, Shelf Support, 1.5"	9321132	
	Shelf, Wire, 27"	3978014	
	Shelf Support, 1"	3234290	
	Switch, Rocker, 20A/125V	2190154	



Obsolete 18648BUCM 1/5HP R404A Condensing Unit Assembly

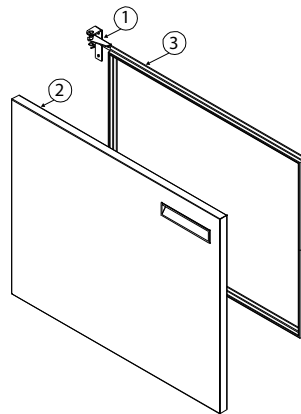
Key	Description	Part Number	Note
	Condensing Unit Assembly, 1/5HP	000-BN5-0031-S	
1	Fan, Axial, 5.5", 120V	2160028	
2	Guard, Fan, 6.0"	2160030	
3	Shroud, Condenser Coil	026-C58-0037-S	
4	Compressor, TF4CLS	3526997	
5	Start Capacitor	2194787	
6	Filter Dryer	3516322	
7	Condensate Pan	075-231-0030-S	
8	Condenser Coil	3516454	

Obsolete 18648BUCM Fans Left Refrigerator Evaporator Coil Assembly



Key	Description	Part Number	Note
-	Coil Assembly, Ref, Fan Lt	000-248-0037-S	
1	Guard, fan, 4.7"	2160024	
2	Fan, axial	2160023	
3	Coil, evaporator	3516095	
4	Back, evaporator, enclosure	030-232-0003-S	
5	Drip pan, evaporator	000-BNH-0030-S	
6	Side, coil, angled, Rt, Blank	030-233-0038-S	
7	Expansion valve, 1/4	3516273	
8	Front, coil	030-234-0003-S	
9	Side, Coil, Angled, Lt, 2Fan	030-233-0039-S	
-	Harness, coil	2184317	
-	Probe, Defrost, Thermostat	2194808	
-	Probe, Temp, Sensor	2194809	

Obsolete 18648BUCM Door Assembly Parts



Key	Description	Part Number	Note
1	Hinge Kit	0160179	
2	Door Assembly, Ref, 27X26, LT, 430	000-187-0082-S	
2	Door Assembly, Ref, 27X26, RT, 430	000-187-0081-S	
3	Gasket, Door, 27, Mark7	1701185	

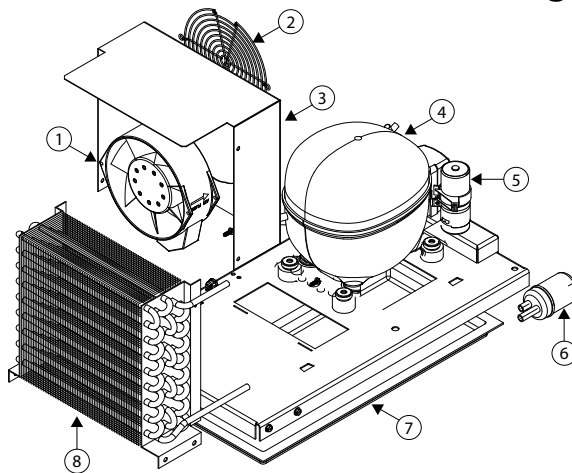
Obsolete 18660BUCM Components

Obsolete 18660BUCM R404A Common Components

R404A replacement parts only. Unit is no longer in production as of 3-30-17.

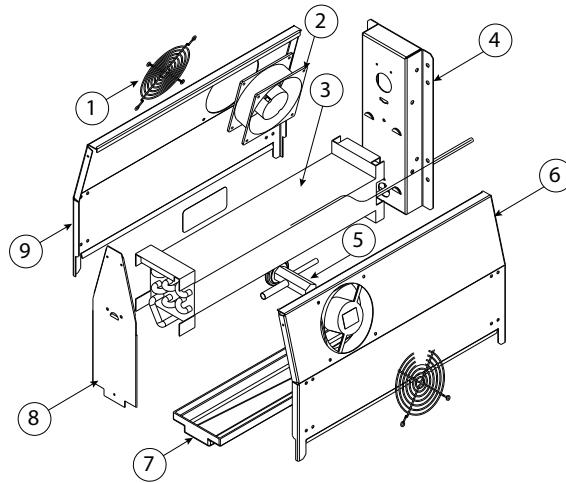
Key	Description	Part Number	Note
	Caster, 5, Plate, Swivel	3234198	
	Caster, 5, Plate, Swivel, Brake	3234199	
	Control, Danfoss, GDM, 115V	RF000084	
	Panel, Louver, 14, Hanging	359-478-0040-S	
	Screw, Shelf Support, 1.5"	9321132	
	Shelf, Wire, 19X32DP	3977984	
	Shelf, Wire, 27"	3978014	
	Shelf Support, 1"	3234290	
	Switch, Rocker, 20A/125V	2190154	

Obsolete 18660BUCM 1/5HP R404A Condensing Unit Assembly



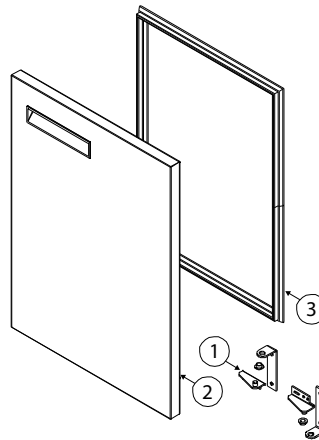
Key	Description	Part Number	Note
	Condensing Unit Assembly, 1/5HP	000-BN5-0031-S	
1	Fan, Axial, 5.5", 120V	2160028	
2	Guard, Fan, 6.0"	2160030	
3	Shroud, Condenser Coil	026-C58-0037-S	
4	Compressor, TF4CLS	3526997	
5	Start Capacitor	2194787	
6	Filter Dryer	3516322	
7	Condensate Pan	075-231-0030-S	
8	Condenser Coil	3516454	

Obsolete 18660BUCM Refrigerator Evaporator Coil Assembly



Key	Description	Part Number	Note
-	Coil Assembly, Ref	000-248-0030-S	
1	Guard, fan, 4.7"	2160024	
2	Fan, axial	2160023	
3	Coil, evaporator	3516095	
4	Back, evaporator, enclosure	030-232-0003-S	
5	Expansion valve, 1/4	3516273	
6	Side, coil, angled, Right	030-233-0001-S	
7	Drip pan, evaporator	075-231-0033-S	
8	Front, coil	030-234-0003-S	
9	Side, coil, angled, Left	030-233-0002-S	
-	Harness, coil	2184317	
-	Probe, Defrost, Thermostat	2194808	
-	Probe, Temp, Sensor	2194809	

Obsolete 18660BUCM Door Assembly Parts



Key	Description	Part Number	Note
1	Hinge Kit	0160179	
2	Door Assembly, Ref, 19X26, LT, 430	000-187-007Y-S	
2	Door Assembly, Ref, 19X26, RT, 430	000-187-007X-S	
2	Door Assembly, Ref, 27X26, LT, 430	000-187-0082-S	
2	Door Assembly, Ref, 27X26, RT, 430	000-187-0081-S	
3	Gasket, Door, 19, Mark7	1701183	
3	Gasket, Door, 27, Mark7	1701185	

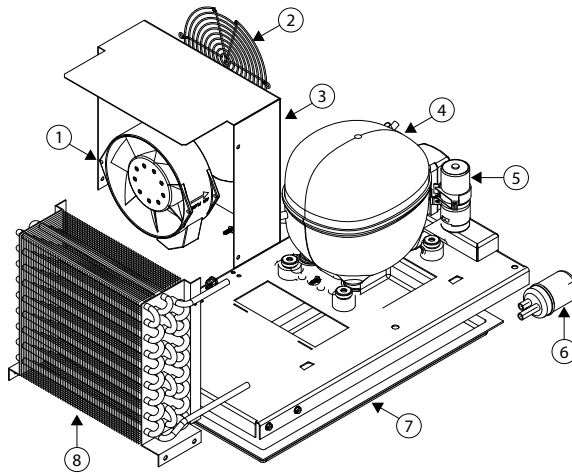
Obsolete 18672BUCM Components

Obsolete 18672BUCM R404A Common Components

R404A replacement parts only. Unit is no longer in production as of 3-30-17.

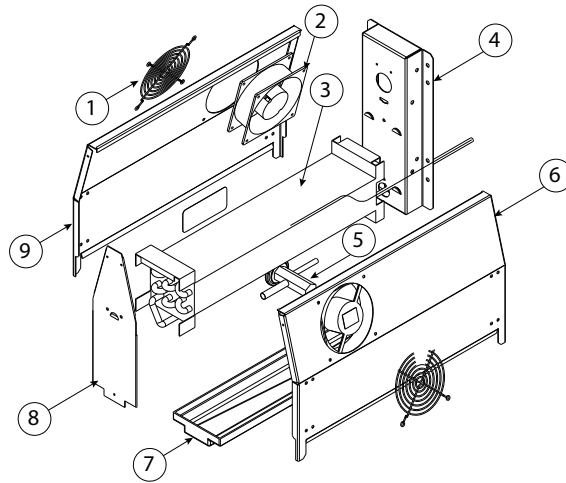
Key	Description	Part Number	Note
	Caster, 5, Plate, Swivel	3234198	
	Caster, 5, Plate, Swivel, Brake	3234199	
	Control, Danfoss, GDM, 115V	RF000084	
	Panel, Louver, 18, Hanging	359-478-0041-S	
	Screw, Shelf Support, 1.5"	9321132	
	Shelf, Wire, 27"	3978014	
	Shelf Support, 1"	3234290	
	Switch, Rocker, 20A/125V	2190154	

Obsolete 18672BUCM 1/5HP R404A Condensing Unit Assembly



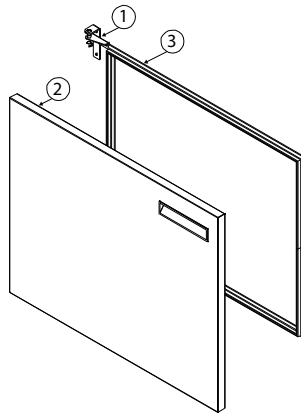
Key	Description	Part Number	Note
	Condensing Unit Assembly, 1/5HP	000-BN5-0031-S	
1	Fan, Axial, 5.5", 120V	2160028	
2	Guard, Fan, 6.0"	2160030	
3	Shroud, Condenser Coil	026-C58-0037-S	
4	Compressor, TF4CLS	3526997	
5	Start Capacitor	2194787	
6	Filter Dryer	3516322	
7	Condensate Pan	075-231-0030-S	
8	Condenser Coil	3516454	

Obsolete 18672BUCM Refrigerator Evaporator Coil Assembly



Key	Description	Part Number	Note
-	Coil Assembly, Ref	000-248-0030-S	
1	Guard, fan, 4.7"	2160024	
2	Fan, axial	2160023	
3	Coil, evaporator	3516095	
4	Back, evaporator, enclosure	030-232-0003-S	
5	Expansion valve, 1/4	3516273	
6	Side, coil, angled, Right	030-233-0001-S	
7	Drip pan, evaporator	075-231-0033-S	
8	Front, coil	030-234-0003-S	
9	Side, coil, angled, Left	030-233-0002-S	
-	Harness, coil	2184317	
-	Probe, Defrost, Thermostat	2194808	
-	Probe, Temp, Sensor	2194809	

Obsolete 18672BUCDoor Assembly Parts



Key	Description	Part Number	Note
1	Hinge Kit	0160179	
2	Door Assembly, Ref, 27X26, LT, 430	000-187-0082-S	
2	Door Assembly, Ref, 27X26, RT,430	000-187-0081-S	
3	Gasket, Door, 27, Mark7	1701185	

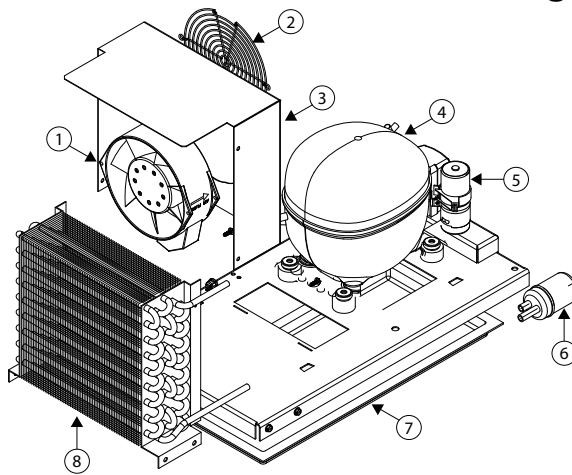
Obsolete 18691BUCM Components

Obsolete 18691BUCM R404A Common Components

R404A replacement parts only. Unit is no longer in production as of 3-30-17.

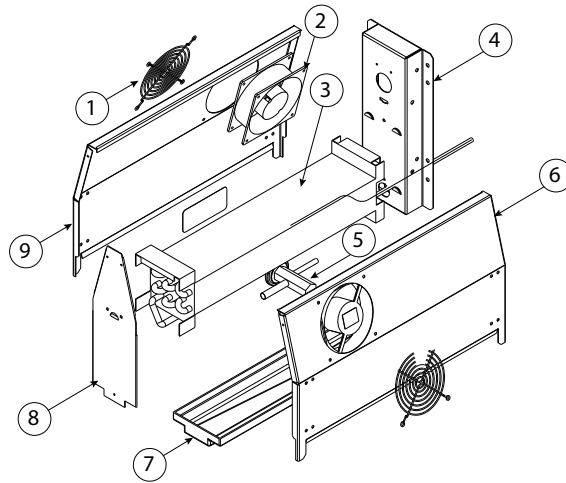
Key	Description	Part Number	Note
	Caster, 5, Plate, Swivel	3234198	
	Caster, 5, Plate, Swivel, Brake	3234199	
	Control, Danfoss, GDM, 115V	RF000084	
	Panel, Louver, 18, Hanging	359-478-0041-S	
	Screw, Shelf Support, 1.5"	9321132	
	Shelf, Wire, 19X32DP	3977984	
	Shelf, Wire, 27"	3978014	
	Shelf Support, 1"	3234290	
	Switch, Rocker, 20A/125V	2190154	

Obsolete 18691BUCM 1/4HP R404A Condensing Unit Assembly



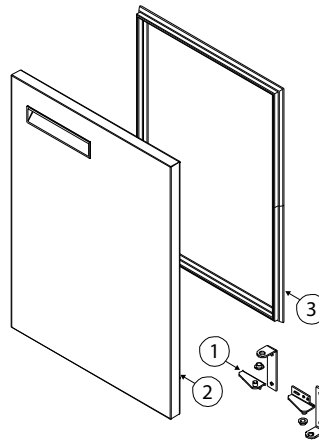
Key	Description	Part Number	Note
-	Assembly, 1/4 HP Condensing Unit	000-BN5-0030-S	
1	Fan	2160028	
2	Guard, Fan	2160030	
3	Shroud, Condenser Coil	026-C58-0037-S	
4	Compressor, Danfoss, NF5.5CLX	3526999	
5	Start Capacitor	2194787	
5	Comp, Relay, Overload, NF5.5CLX	3516444	
6	Filter Dryer	3516322	
7	Condensate Pan	039-231-0030-S	
8	Condenser Coil	3516454	

Obsolete 18691BUCM Refrigerator Evaporator Coil Assembly



Key	Description	Part Number	Note
-	Coil Assembly, Ref	000-248-0030-S	
1	Guard, fan, 4.7"	2160024	
2	Fan, axial	2160023	
3	Coil, evaporator	3516095	
4	Back, evaporator, enclosure	030-232-0003-S	
5	Expansion valve, 1/4	3516273	
6	Side, coil, angled, Right	030-233-0001-S	
7	Drip pan, evaporator	075-231-0033-S	
8	Front, coil	030-234-0003-S	
9	Side, coil, angled, Left	030-233-0002-S	
-	Harness, coil	2184317	
-	Probe, Defrost, Thermostat	2194808	
-	Probe, Temp, Sensor	2194809	

Obsolete 18691BUCM Door Assembly Parts



Key	Description	Part Number	Note
1	Hinge Kit	0160179	
2	Door Assembly, Ref, 19X26, LT, 430	000-187-007Y-S	
2	Door Assembly, Ref, 19X26, RT, 430	000-187-007X-S	
2	Door Assembly, Ref, 27X26, LT, 430	000-187-0082-S	
2	Door Assembly, Ref, 27X26, RT, 430	000-187-0081-S	
3	Gasket, Door, 19, Mark7	1701183	
3	Gasket, Door, 27, Mark7	1701185	

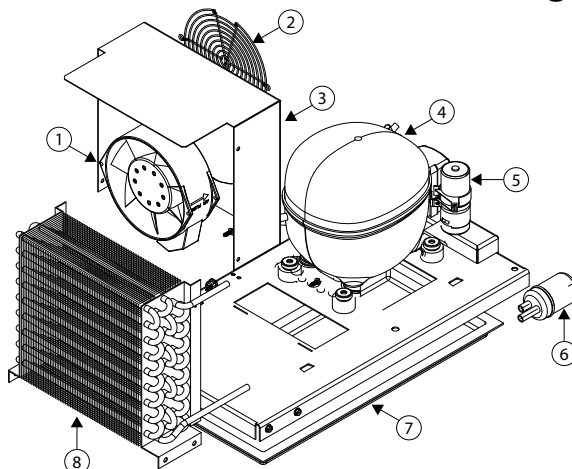
Obsolete 18699BUCM Components

Obsolete 18699BUCM R404A Common Components

R404A replacement parts only. Unit is no longer in production as of 3-30-17.

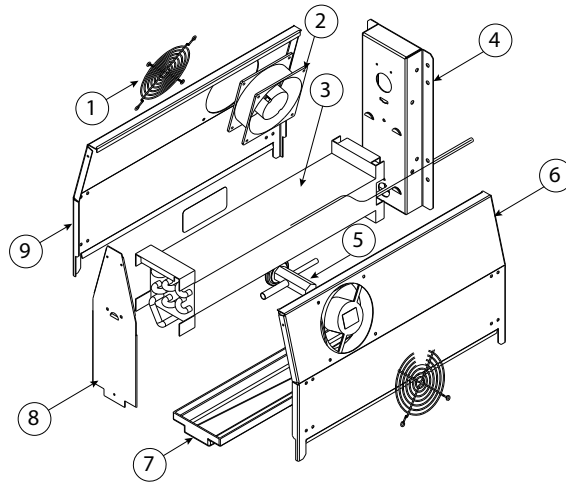
Key	Description	Part Number	Note
	Caster, 5, Plate, Swivel	3234198	
	Caster, 5, Plate, Swivel, Brake	3234199	
	Control, Danfoss, GDM, 115V	RF000084	
	Panel, Louver, 18, Hanging	359-478-0041-S	
	Screw, Shelf Support, 1.5"	9321132	
	Shelf, Wire, 27"	3978014	
	Shelf Support, 1"	3234290	
	Switch, Rocker, 20A/125V	2190154	

Obsolete 18699BUCM 1/4HP R404A Condensing Unit Assembly



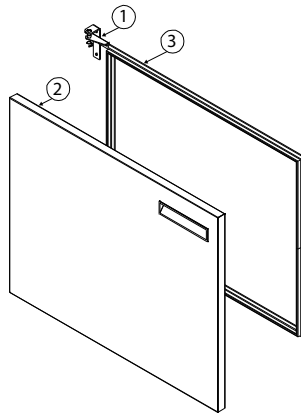
Key	Description	Part Number	Note
-	Assembly, 1/4 HP Condensing Unit	000-BN5-0030-S	
1	Fan	2160028	
2	Guard, Fan	2160030	
3	Shroud, Condenser Coil	026-C58-0037-S	
4	Compressor, Danfoss, NF5.5CLX	3526999	
5	Start Capacitor	2194787	
5	Comp, Relay, Overload, NF5.5CLX	3516444	
6	Filter Dryer	3516322	
7	Condensate Pan	039-231-0030-S	
8	Condenser Coil	3516454	

Obsolete 18699BUCM Refrigerator Evaporator Coil Assembly



Key	Description	Part Number	Note
-	Coil Assembly, Ref	000-248-0030-S	
1	Guard, fan, 4.7"	2160024	
2	Fan, axial	2160023	
3	Coil, evaporator	3516095	
4	Back, evaporator, enclosure	030-232-0003-S	
5	Expansion valve, 1/4	3516273	
6	Side, coil, angled, Right	030-233-0001-S	
7	Drip pan, evaporator	075-231-0033-S	
8	Front, coil	030-234-0003-S	
9	Side, coil, angled, Left	030-233-0002-S	
-	Harness, coil	2184317	
-	Probe, Defrost, Thermostat	2194808	
-	Probe, Temp, Sensor	2194809	

Obsolete 18699BUCM Door Assembly Parts



Key	Description	Part Number	Note
1	Hinge Kit	0160179	
2	Door Assembly, Ref, 27X26, LT, 430	000-187-0082-S	
2	Door Assembly, Ref, 27X26, RT,430	000-187-0081-S	
3	Gasket, Door, 27, Mark7	1701185	

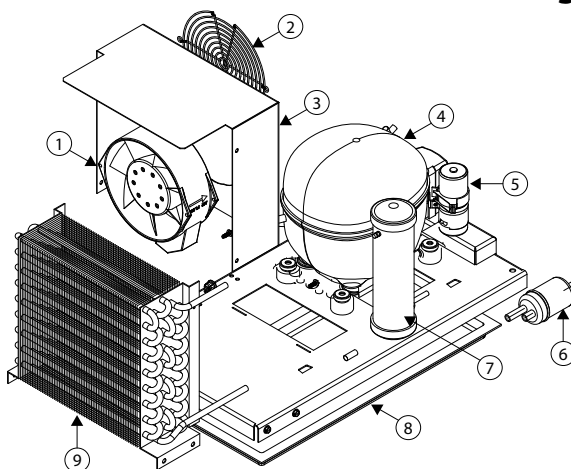
Obsolete 186114BUCM Components

Obsolete 186114BUCM R404A Common Components

R404A replacement parts only. Unit is no longer in production as of 3-30-17.

Key	Description	Part Number	Note
	Caster, 5, Plate, Swivel	3234198	
	Caster, 5, Plate, Swivel, Brake	3234199	
	Control, Danfoss, GDM, 115V	RF000084	
	Panel, Louver, 18, Hanging	359-478-0041-S	
	Screw, Shelf Support, 1.5"	9321132	
	Shelf, Wire, 32X32DP	3977983	
	Shelf Support, 1"	3234290	
	Switch, Rocker, 20A/125V	2190154	

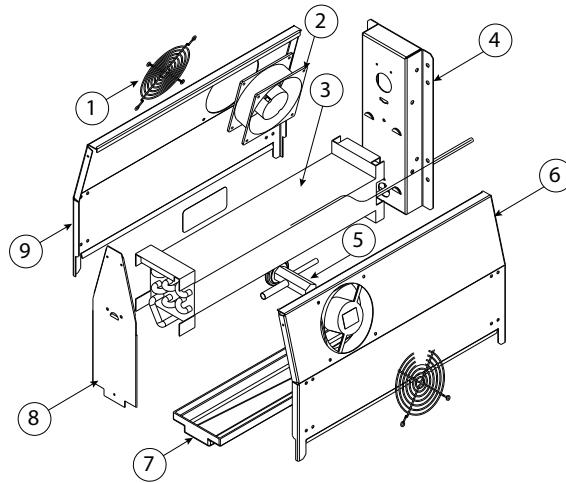
Obsolete 186114BUCM 1/3HP R404A Condensing Unit Assembly



Key	Description	Part Number	Note
	Condensing Unit Assembly, 1/3HP	000-BN5-0037-S	
1	Fan, Axial, 5.5", 120V	2160028	
2	Guard, Fan, 6.0"	2160030	
3	Shroud, Condenser Coil	026-C58-0037-S	
4	Compressor, NF7CLS	3527000	
5	Start Capacitor	2194788	
6	Filter Drier	3516322	
7	Receiver tank	3516658	[L]
8	Pan, Condensate	075-231-0030-S	
9	Condenser Coil	3516454	

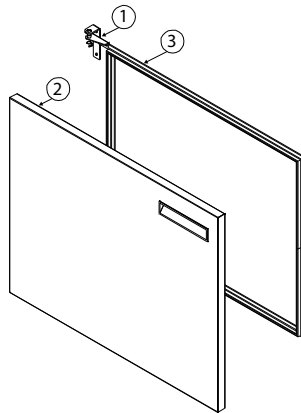
NOTE: [L] Re-piping may be required for installation.

Obsolete 186114BUCM Refrigerator Evaporator Coil Assembly



Key	Description	Part Number	Note
-	Coil Assembly, Ref	000-248-0030-S	
1	Guard, fan, 4.7"	2160024	
2	Fan, axial	2160023	
3	Coil, evaporator	3516095\	
4	Back, evaporator, enclosure	030-232-0003-S	
5	Expansion valve, 1/4	3516273	
6	Side, coil, angled, Right	030-233-0001-S	
7	Drip pan, evaporator	075-231-0033-S	
8	Front, coil	030-234-0003-S	
9	Side, coil, angled, Left	030-233-0002-S	
-	Harness, coil	2184317	
-	Probe, Defrost, Thermostat	2194808	
-	Probe, Temp, Sensor	2194809	

Obsolete 186114BUCM Door Assembly Parts



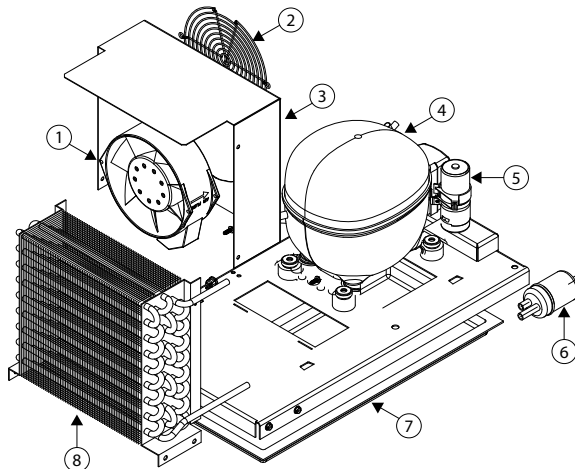
Key	Description	Part Number	Note
1	Hinge Kit	0160179	
2	Door Assembly, Ref, 32X26, LT, 430	000-187-0084-S	
2	Door Assembly, Ref, 32X26, RT, 430	000-187-0083-S	
3	32" Door Gasket	1701186	

18648BUC-E Components

18648BUC-E Common Components

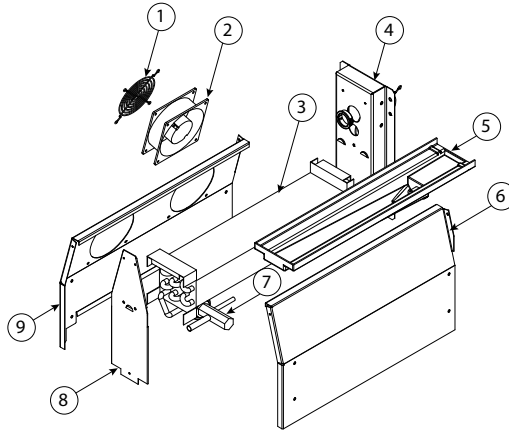
Key	Description	Part Number	Note
	Caster, 5, Plate, Swivel	3234198	
	Caster, 5, Plate, Swivel, Brake	3234199	
	Control Assembly, Defrost, 220V, Ref	RF000090	
	Panel, Louver, 15, Hanging	359-478-0042-S	
	Screw, Shelf Support, 1.5"	9321132	
	Shelf, Wire, 27"	3978014	
	Shelf Support, 1"	3234290	
	Switch, Rocker, 20A/125V,	2194400	

18648BUC-E 220V/50Hz 1/5HP R404A Condensing Unit Assembly



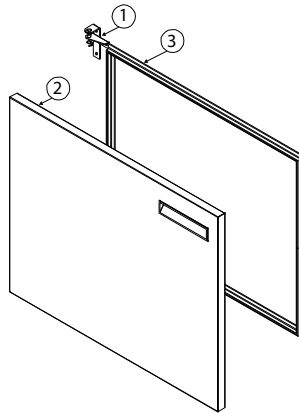
Key	Description	Part Number	Note
-	Condensing Unit Assembly, 1/5HP	000-BN5-003i-S	
1	Fan, Axial, 5.5"; 230V	2160029	
2	Guard, Fan, 6.0"	2160030	
3	Shroud, Condenser Coil	026-C58-0037-S	
4	Compressor, 1/5HP, 220/50, TL4CL	3526994	
5	Start Capacitor	3516451	
5	Compressor, Relay	3516452	
6	Filter Dryer	3516322	
7	Condensate Pan	039-231-0030-S	
8	Condenser Coil	3516454	

18648BUC-E 220V R404A Fans Left Evaporator Coil Assembly



Key	Description	Part Number	Note
-	Coil Assembly, R404A, 220V, Ref, Fan Lt	000-248-003D-S	
1	Guard, fan, 4.7"	2160024	
2	Fan, axial, 230V	2160025	
3	Coil, evaporator	3516095	
4	Back, evaporator, enclosure	030-232-0003-S	
5	Drip pan, evaporator	000-BNH-0030-S	
6	Side, coil, angled, Rt, Blank	030-233-0038-S	
7	Expansion valve, 1/4, R-404a	MCP00140	
8	Front, coil	030-234-0003-S	
9	Side, Coil, Angled, Lt, 2Fan	030-233-0039-S	
-	Harness, coil	2184317	
-	Probe, Defrost, Danfoss, Control	2194808	
-	Probe, Temp, Sensor, Danfoss	2194809	

18648BUC-E Door Assembly Parts

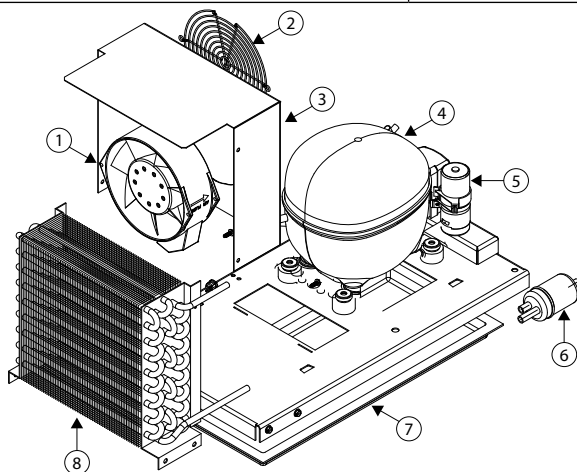


Key	Description	Part Number	Note
1	Hinge Kit	0160179	
2	Door Assembly, Ref, 27X26, LT, 430	000-187-0082-S	
2	Door Assembly, Ref, 27X26, RT,430	000-187-0081-S	
3	Gasket, Door, 27, Mark7	1701185	

18660BUC-E Components

18660BUC-E Common Components

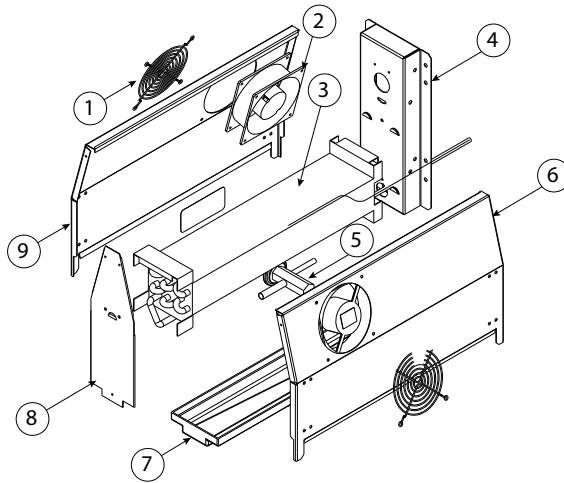
Key	Description	Part Number	Note
	Caster, 5, Plate, Swivel	3234198	
	Caster, 5, Plate, Swivel, Brake	3234199	
	Control Assembly, Defrost, 220V, Ref	RF000090	
	Panel, Louver, 14, Hanging	359-478-0040-S	
	Screw, Shelf Support, 1.5"	9321132	
	Shelf, Wire, 19X32DP	3977984	
	Shelf, Wire, 27"	3978014	
	Shelf Support, 1"	3234290	
	Switch, Rocker, 20A/125V,	2194400	



18660BUC-E 220V/50Hz 1/5HP R404A Condensing Unit Assembly

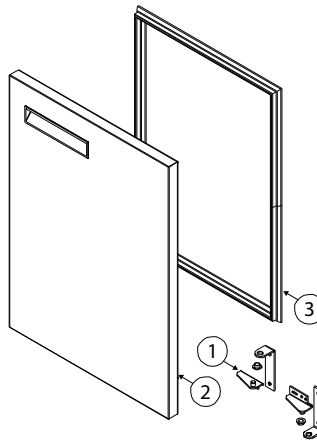
Key	Description	Part Number	Note
-	Condensing Unit Assembly, 1/5HP	000-BN5-003i-S	
1	Fan, Axial, 5.5"; 230V	2160029	
2	Guard, Fan, 6.0"	2160030	
3	Shroud, Condenser Coil	026-C58-0037-S	
4	Compressor, 1/5HP, 220/50, TL4CL	3526994	
5	Start Capacitor	3516451	
5	Compressor, Relay	3516452	
6	Filter Dryer	3516322	
7	Condensate Pan	039-231-0030-S	
8	Condenser Coil	3516454	

18660BUC-E 220V R404A Refrigerator Evaporator Coil Assembly



Key	Description	Part Number	Note
-	Coil Assembly, R404A, Ref	000-248-0033-S	
1	Guard, fan, 4.7"	2160024	
2	Fan, axial, 230V	2160025	
3	Coil, evaporator	3516095	
4	Back, evaporator, enclosure	030-232-0003-S	
5	Expansion valve, 1/4, R-404a	MCP00140	
6	Side, coil, angled, Rt	030-233-0001-S	
7	Drip pan, evaporator	000-BNH-0030-S	
8	Front, coil	030-234-0003-S	
9	Side, coil, angled, Lt	030-233-0002-S	
-	Harness, coil	2184317	
-	Probe, Defrost, Danfoss, Control	2194808	
-	Probe, Temp, Sensor, Danfoss	2194809	

18660BUC-E Door Assembly Parts



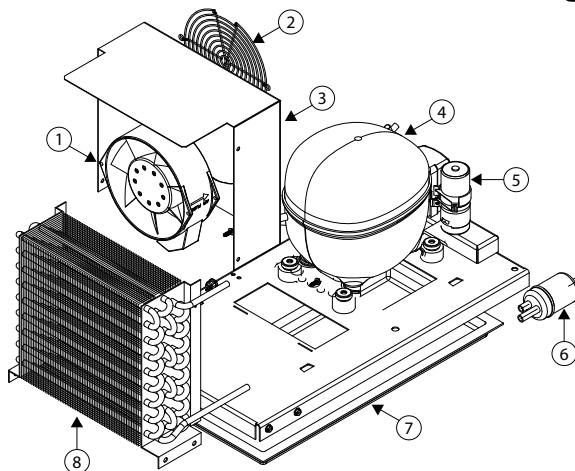
Key	Description	Part Number	Note
1	Hinge Kit	0160179	
2	Door Assembly, Ref, 19X26, LT, 430	000-187-007Y-S	
2	Door Assembly, Ref, 19X26, RT, 430	000-187-007X-S	
2	Door Assembly, Ref, 27X26, LT, 430	000-187-0082-S	
2	Door Assembly, Ref, 27X26, RT, 430	000-187-0081-S	
3	Gasket, Door, 19, Mark7	1701183	
3	Gasket, Door, 27, Mark7	1701185	

18672BUC-E Components

18672BUC-E Common Components

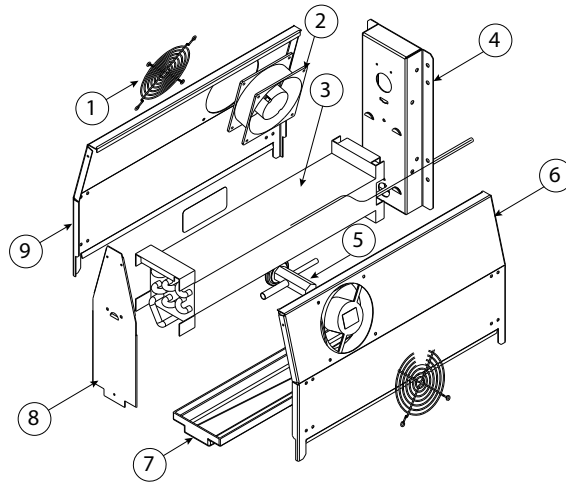
Key	Description	Part Number	Note
	Caster, 5, Plate, Swivel	3234198	
	Caster, 5, Plate, Swivel, Brake	3234199	
	Control Assembly, Defrost, 220V, Ref	RF000090	
	Panel, Louver, 18, Hanging	359-478-0041-S	
	Screw, Shelf Support, 1.5"	9321132	
	Shelf, Wire, 27"	3978014	
	Shelf Support, 1"	3234290	
	Switch, Rocker, 20A/125V,	2194400	

18672BUC-E 220V/50Hz 1/4HP R404A Condensing Unit Assembly



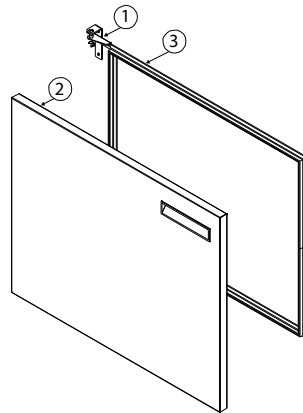
Key	Description	Part Number	Note
-	Condensing Unit Assembly, 1/4HP	000-BN5-003J-S	
1	Fan, Axial, 5.5", 230V	2160029	
2	Guard, Fan, 6.0"	2160030	
3	Shroud, Condenser Coil	026-C58-0037-S	
4	Compressor, NL7CLX, 220V/50Hz	3527013	
5	Start Capacitor	2194821	
5	Comp, Relay, Overload, NF5.5CLX	2194820	
6	Filter Dryer	3516322	
7	Condensate Pan	039-231-0030-S	
8	Condenser Coil	3516454	

18672BUC-E 220V R404A Refrigerator Evaporator Coil Assembly



Key	Description	Part Number	Note
-	Coil Assembly, R404A, Ref	000-248-0033-S	
1	Guard, fan, 4.7"	2160024	
2	Fan, axial, 230V	2160025	
3	Coil, evaporator	3516095	
4	Back, evaporator, enclosure	030-232-0003-S	
5	Expansion valve, 1/4, R-404a	MCP00140	
6	Side, coil, angled, Rt	030-233-0001-S	
7	Drip pan, evaporator	000-BNH-0030-S	
8	Front, coil	030-234-0003-S	
9	Side, coil, angled, Lt	030-233-0002-S	
-	Harness, coil	2184317	
-	Probe, Defrost, Danfoss, Control	2194808	
-	Probe, Temp, Sensor, Danfoss	2194809	

18672BUC-E Door Assembly Parts



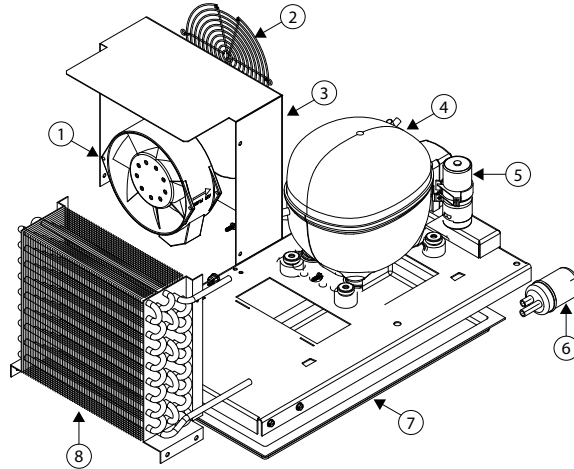
Key	Description	Part Number	Note
1	Hinge Kit	0160179	
2	Door Assembly, Ref, 27X26, LT, 430	000-187-0082-S	
2	Door Assembly, Ref, 27X26, RT,430	000-187-0081-S	
3	Gasket, Door, 27, Mark7	1701185	

18691BUC-E Components

18691BUC-E Common Components

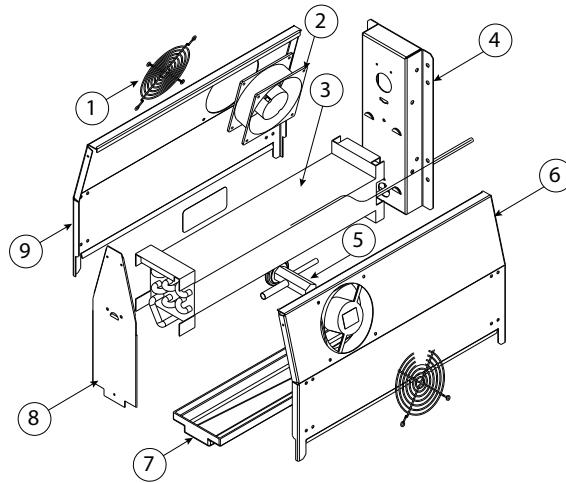
Key	Description	Part Number	Note
	Caster, 5, Plate, Swivel	3234198	
	Caster, 5, Plate, Swivel, Brake	3234199	
	Control Assembly, Defrost, 220V, Ref	RF000090	
	Panel, Louver, 18, Hanging	359-478-0041-S	
	Screw, Shelf Support, 1.5"	9321132	
	Shelf, Wire, 19X32DP	3977984	
	Shelf, Wire, 27"	3978014	
	Shelf Support, 1"	3234290	
	Switch, Rocker, 20A/125V,	2194400	

18691BUC-E 220V/50Hz 1/4HP R404A Condensing Unit Assembly



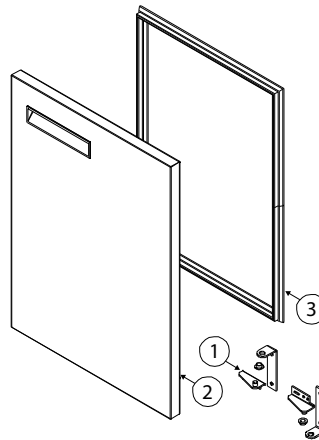
Key	Description	Part Number	Note
-	Condensing Unit Assembly, 1/4HP	000-BN5-003J-S	
1	Fan, Axial, 5.5", 230V	2160029	
2	Guard, Fan, 6.0"	2160030	
3	Shroud, Condenser Coil	026-C58-0037-S	
4	Compressor, NL7CLX, 220V/50Hz	3527013	
5	Start Capacitor	2194821	
5	Comp, Relay, Overload, NF5.5CLX	2194820	
6	Filter Dryer	3516322	
7	Condensate Pan	039-231-0030-S	
8	Condenser Coil	3516454	

18691BUC-E 220V R404A Refrigerator Evaporator Coil Assembly



Key	Description	Part Number	Note
-	Coil Assembly, R404A, Ref	000-248-0033-S	
1	Guard, fan, 4.7"	2160024	
2	Fan, axial, 230V	2160025	
3	Coil, evaporator	3516095	
4	Back, evaporator, enclosure	030-232-0003-S	
5	Expansion valve, 1/4, R-404a	MCP00140	
6	Side, coil, angled, Rt	030-233-0001-S	
7	Drip pan, evaporator	000-BNH-0030-S	
8	Front, coil	030-234-0003-S	
9	Side, coil, angled, Lt	030-233-0002-S	
-	Harness, coil	2184317	
-	Probe, Defrost, Danfoss, Control	2194808	
-	Probe, Temp, Sensor, Danfoss	2194809	

18691BUC-E Door Assembly Parts



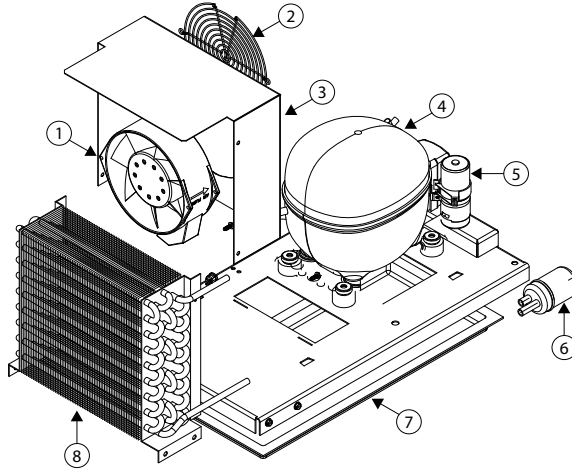
Key	Description	Part Number	Note
1	Hinge Kit	0160179	
2	Door Assembly, Ref, 19X26, LT, 430	000-187-007Y-S	
2	Door Assembly, Ref, 19X26, RT, 430	000-187-007X-S	
2	Door Assembly, Ref, 27X26, LT, 430	000-187-0082-S	
2	Door Assembly, Ref, 27X26, RT, 430	000-187-0081-S	
3	Gasket, Door, 19, Mark7	1701183	
3	Gasket, Door, 27, Mark7	1701185	

18699BUC-E Components

18699BUC-E Common Components

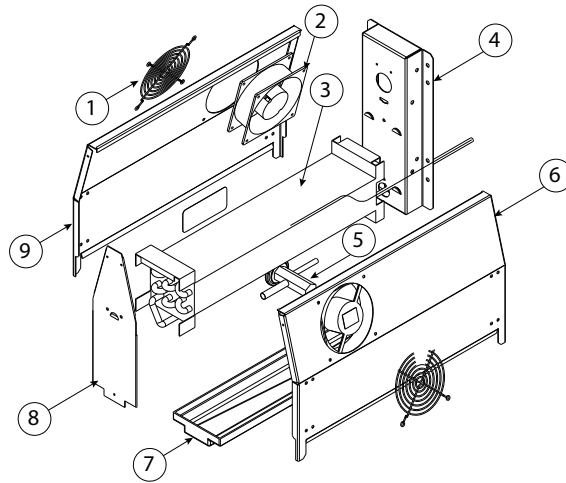
Key	Description	Part Number	Note
	Caster, 5, Plate, Swivel	3234198	
	Caster, 5, Plate, Swivel, Brake	3234199	
	Control Assembly, Defrost, 220V, Ref	RF000090	
	Panel, Louver, 18, Hanging	359-478-0041-S	
	Screw, Shelf Support, 1.5"	9321132	
	Shelf, Wire, 27"	3978014	
	Shelf Support, 1"	3234290	
	Switch, Rocker, 20A/125V,	2194400	

18699BUC-E 220V/50Hz 1/4HP R404A Condensing Unit Assembly



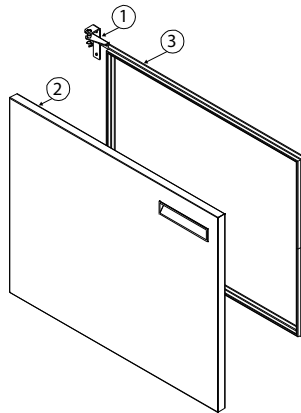
Key	Description	Part Number	Note
-	Condensing Unit Assembly, 1/4HP	000-BN5-003J-S	
1	Fan, Axial, 5.5", 230V	2160029	
2	Guard, Fan, 6.0"	2160030	
3	Shroud, Condenser Coil	026-C58-0037-S	
4	Compressor, NL7CLX, 220V/50Hz	3527013	
5	Start Capacitor	2194821	
5	Comp, Relay, Overload, NF5.5CLX	2194820	
6	Filter Dryer	3516322	
7	Condensate Pan	039-231-0030-S	
8	Condenser Coil	3516454	

18699BUC-E 220V R404A Refrigerator Evaporator Coil Assembly



Key	Description	Part Number	Note
-	Coil Assembly, R404A, Ref	000-248-0033-S	
1	Guard, fan, 4.7"	2160024	
2	Fan, axial, 230V	2160025	
3	Coil, evaporator	3516095	
4	Back, evaporator, enclosure	030-232-0003-S	
5	Expansion valve, 1/4, R-404a	MCP00140	
6	Side, coil, angled, Rt	030-233-0001-S	
7	Drip pan, evaporator	000-BNH-0030-S	
8	Front, coil	030-234-0003-S	
9	Side, coil, angled, Lt	030-233-0002-S	
-	Harness, coil	2184317	
-	Probe, Defrost, Danfoss, Control	2194808	
-	Probe, Temp, Sensor, Danfoss	2194809	

18699BUC-E Door Assembly Parts



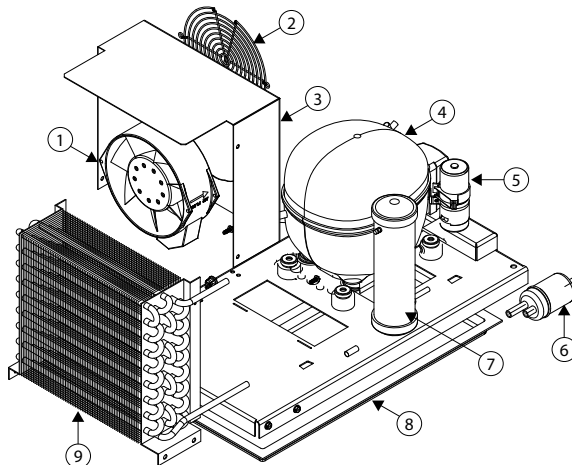
Key	Description	Part Number	Note
1	Hinge Kit	0160179	
2	Door Assembly, Ref, 27X26, LT, 430	000-187-0082-S	
2	Door Assembly, Ref, 27X26, RT,430	000-187-0081-S	
3	Gasket, Door, 27, Mark7	1701185	

186114BUC-E Components

186114BUC-E Common Components

Key	Description	Part Number	Note
	Caster, 5, Plate, Swivel	3234198	
	Caster, 5, Plate, Swivel, Brake	3234199	
	Control Assembly, Defrost, 220V, Ref	RF000090	
	Panel, Louver, 18, Hanging	359-478-0041-S	
	Screw, Shelf Support, 1.5"	9321132	
	Shelf, Wire, 32X32DP	3977983	
	Shelf Support, 1"	3234290	
	Switch, Rocker, 20A/125V,	2194400	

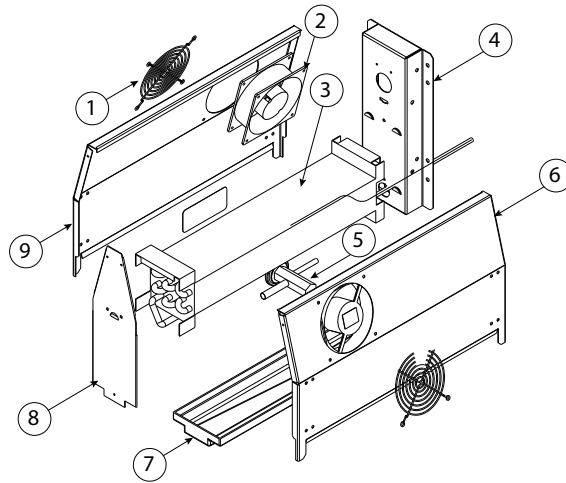
186114BUC-E 220V/50Hz 1/3HP, R404A Condensing Unit Assembly



Key	Description	Part Number	Note
-	Condensing Unit Assembly, 1/3HP	000-BN5-003M-S	
1	Fan, Axial, 5.5", 230V	2160029	
2	Guard, Fan, 6.0"	2160030	
3	Shroud, Condenser Coil	026-C58-0037-S	
4	Compress, NL8.4CLX, 220V, 50Hz	3527012	
6	Filter Drier	3516322	
7	Receiver tank	3516658	[L]
8	Pan, Condensate	039-231-0030-S	
9	Condenser Coil	3516454	
-	Hi Pressure Cutout	3516324	

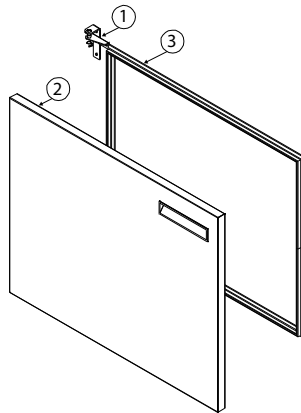
NOTE: [L] Re-piping may be required for installation.

186114BUC-E 220V R404A Refrigerator Evaporator Coil Assembly



Key	Description	Part Number	Note
-	Coil Assembly, R404A, Ref	000-248-0033-S	
1	Guard, fan, 4.7"	2160024	
2	Fan, axial, 230V	2160025	
3	Coil, evaporator	3516095	
4	Back, evaporator, enclosure	030-232-0003-S	
5	Expansion valve, 1/4, R-404a	MCP00140	
6	Side, coil, angled, Rt	030-233-0001-S	
7	Drip pan, evaporator	000-BNH-0030-S	
8	Front, coil	030-234-0003-S	
9	Side, coil, angled, Lt	030-233-0002-S	
-	Harness, coil	2184317	
-	Probe, Defrost, Danfoss, Control	2194808	
-	Probe, Temp, Sensor, Danfoss	2194809	

186114BUC-E Door Assembly Parts



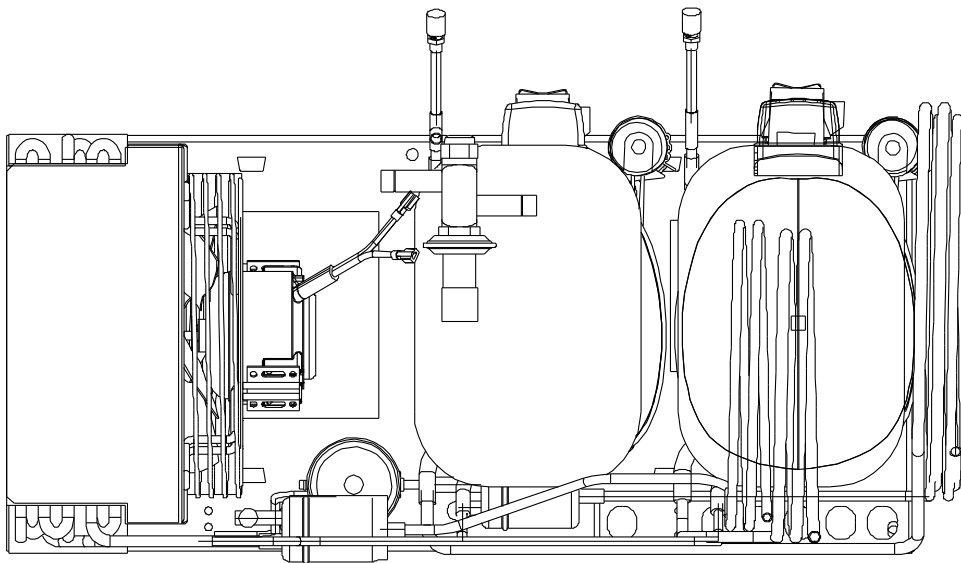
Key	Description	Part Number	Note
1	Hinge Kit	0160179	
2	Door Assembly, Ref, 32X26, LT, 430	000-187-0084-S	
2	Door Assembly, Ref, 32X26, RT, 430	000-187-0083-S	
3	32" Door Gasket	1701186	

18648PDLV Components

18648PDLV Common Components

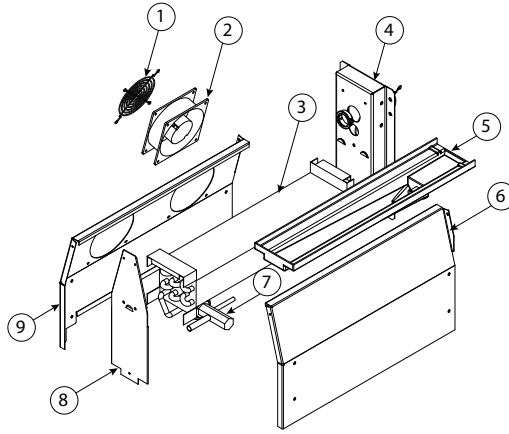
Key	Description	Part Number	Note
	Appliance Switch	2198717	
	Bracket, Cutting Board	269-110-0034-S	
	Bracket, Cutting Board	269-110-0036-S	
	Caster, 3DIA, Swivel, Plate	3234186	
	Control Assembly, Refg, MK7	000-CZ0-0061KT-S	
	Control Assembly, Lt, MK7	000-CZ0-0058KT-S	
	Control Assembly, Ref, PDL48	000-282-009U-S	
	Cover Assembly, Hinged, 6 Pan, PTL	000-402-0054-S	
	Hinge, Pan Cover	3234392	
	Hinge, Pan Cover, End, LH	3234282	
	Hinge, Pan Cover, End, RH	3234266	
	Panel, Louver, 15.0, PDL	359-478-0050-S	
	Pin, Hinge, Salad Pan	9321374	
	Shelf, Wire, 27"	3978014	
	Support, Shelf, Plastic	3234290	
	Thermometer, Hanging, 4	3516135	

18648PDLV 1/3-1/5 Stacked R404A Condensing Unit Assembly



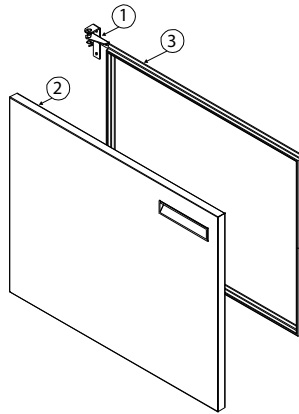
Key	Description	Part Number	Note
	Assembly, 1/3-1/5 Stacked,	000-BN5-007K-S	
	Blade, Fan, 7.25 Diameter	3516480	
	Capacitor, start, 280mfd	2194787	
	Capacitor, start, 320mfd	2194788	
	Coil, Condenser, 1/5, 1/4	3516454	
	Compressor, 1/5hp, 115/60, r404a	3526997	
	Compressor, nf7cls, 115v/60hz	3527000	
	Drier, filter, (2)inlet	3516322	
	Guard, Fan, 7.25	2160020	
	Motor, fan, 9w,115v,cw	2162757	
	Regulator, pressure, 1/2	3516193	
	Relay, Comp, Danfoss	3516446	
	Relay, comp, overload, nf7clx	3516438	
	Valve, exp, freezer, 1/4ton	3516225	

18648PDLV Fans Left Refrigerator Evaporator Coil Assembly



Key	Description	Part Number	Note
-	Coil Assembly, Ref, Fan Lt	000-248-003L-S	
1	Guard, fan, 4.7"	2160024	
2	Fan, axial	2160045	
3	Coil, evaporator	3516095	
4	Back, evaporator, enclosure	030-232-0003-S	
5	Drip pan, evaporator	000-BNH-0030-S	
6	Side, coil, angled, Rt, Blank	030-233-0038-S	
7	Expansion valve, 1/4	3516273	
8	Front, coil	030-234-0003-S	
9	Side, Coil, Angled, Lt, 2Fan	030-233-0039-S	
-	Harness, coil	2184317	
-	Probe, Defrost, Thermostat	2194808	
-	Probe, Temp, Sensor	2194809	

18648PDLV Door Assembly Parts



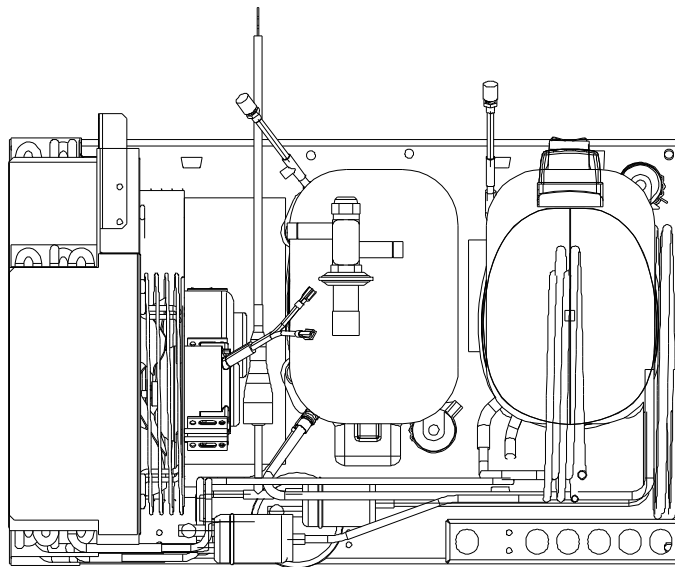
Key	Description	Part Number	Note
1	Hinge Kit	0160179	
2	Door Assembly, Ref, 27X26, LT, 430	000-187-0082-S	
2	Door Assembly, Ref, 27X26, RT,430	000-187-0081-S	
3	Gasket, Door, 27, Mark7	1701185	

18672PDLV Components

18672PDLV Common Components

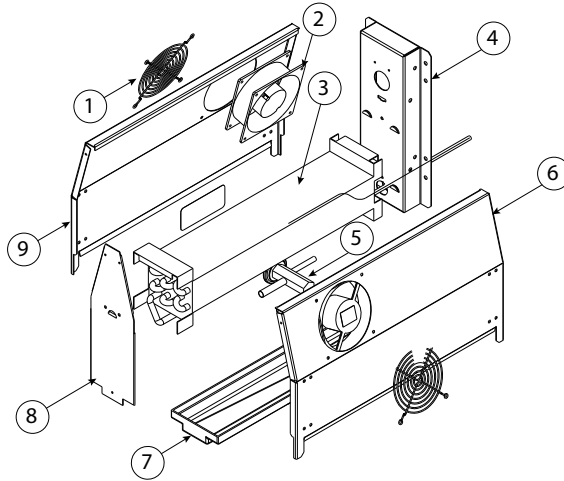
Key	Description	Part Number	Note
	Appliance Switch	2198717	
	Bracket, Cutting Board	269-110-0034-S	
	Bracket, Cutting Board	269-110-0036-S	
	Caster, 3DIA, Swivel, Plate	3234186	
	Control Assembly, Refg, MK7	000-CZ0-0061KT-S	
	Control Assembly, Lt, MK7	000-CZ0-0058KT-S	
	Control Assembly, Ref, PDL72	000-282-009V-S	
	Cover Assembly, Hinged, 6 Pan, PTL	000-402-0054-S	
	Hinge, Pan Cover	3234392	
	Hinge, Pan Cover, End, LH	3234282	
	Hinge, Pan Cover, End, RH	3234266	
	Panel, Louver, 18.0, PDL	359-478-0051-S	
	Pin, Hinge, Salad Pan	9321374	
	Shelf, Wire, 27"	3978014	
	Support, Shelf, Plastic	3234290	
	Thermometer, Hanging, 4	3516135	

18672PDLV 1/2-1/5 Stacked R404A Condensing Unit Assembly



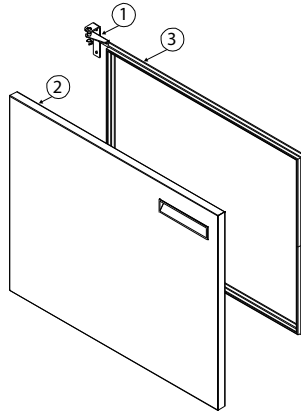
Key	Description	Part Number	Note
	Assembly, 1/2-1/5 Stacked,	000-BN5-007i-S	
	Blade, Fan, 7.25 Diameter	3516480	
	Blade, fan, 25deg, 10", cw	3516433	
	Capacitor, start, 240mfd	2194789	
	Capacitor, start, 280mfd	2194787	
	Coil, Condenser, 1/5, 1/4,	3516454	
	Coil, Condenser, 1/2 Hp	3516455	
	Compressor, 1/5hp, 115/60, r404a	3526997	
	Compressor, sc12clx.2, 115/60hz,	3527001	
	Drier, filter, (2)inlet	3516322	
	Guard, Fan, 7.25	2160020	
	Guard, fan, wire	2160019	
	Motor, fan, 9w, 115v, cw	2162757	
	Motor, fan	2162750	
	Regulator, pressure, 1/2	3516193	
	Relay, Compressor, Danfoss	3516446	
	Relay, compressor, sc12clx.2	3516441	
	Thermal Expansion Valve, freezer, 1/4ton	3516225	

18672PDLV Refrigerator Evaporator Coil Assembly



Key	Description	Part Number	Note
-	Coil Assembly, Ref	000-248-003i-S	
1	Guard, fan, 4.7"	2160024	
2	Fan, axial	2160045	
3	Coil, evaporator	3516095	
4	Back, evaporator, enclosure	030-232-0003-S	
5	Expansion valve, 1/4	3516273	
6	Side, coil, angled, Right	030-233-0001-S	
7	Drip pan, evaporator	000-BNH-0030-S	
8	Front, coil	030-234-0003-S	
9	Side, coil, angled, Left	030-233-0002-S	
-	Harness, coil	2184317	
-	Probe, Defrost, Thermostat	2194808	
-	Probe, Temp, Sensor	2194809	

18672PDLV Door Assembly Parts



Key	Description	Part Number	Note
1	Hinge Kit	0160179	
2	Door Assembly, Ref, 27X26, LT, 430	000-187-0082-S	
2	Door Assembly, Ref, 27X26, RT,430	000-187-0081-S	
3	Gasket, Door, 27, Mark7	1701185	

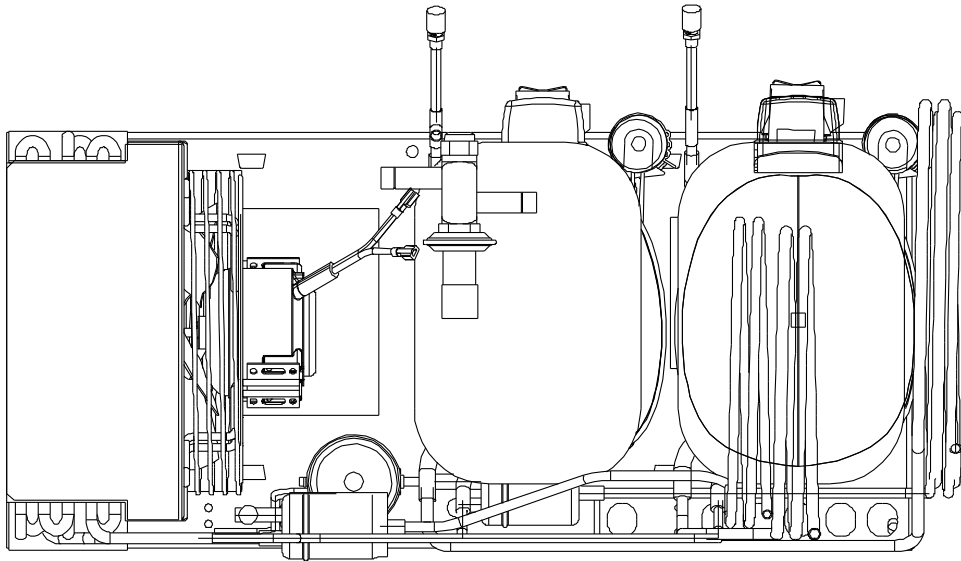
Obsolete 18648PDL Components

Obsolete 18648PDL Common Components

Replacement parts only. Unit is no longer in production as of 3-30-17.

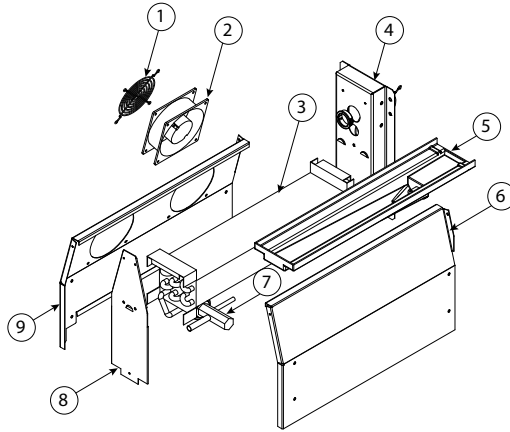
Key	Description	Part Number	Note
	Bracket, Cutting Board	263-110-0034-S	
	Bracket, Cutting Board	263-110-0036-S	
	Caster, 3DIA, Swivel, Plate	3234186	
	Control, Danfoss, GDM, 115V	RF000083	
	Cover Assembly, Hinged, 6 Pan, PTL	000-402-0054-S	
	Hinge, Pan Cover	3234392	
	Hinge, Pan Cover, End, LH	3234282	
	Hinge, Pan Cover, End, RH	3234266	
	Panel, Louver, 15.0, PTB	359-478-003E-S	
	Pin, Hinge, Salad Pan	9321374	
	Shelf, Wire, 27"	3978014	
	Support, Shelf, Plastic	3234290	
	Switch, Rocker, 20A/125V	2190154	
	Thermometer, Hanging, 4	3516135	
	Thermostat Assembly, Danfoss, MK7	000-282-0053-S	

Obsolete 18648PDL 1/3-1/5 Stacked R404A Condensing Unit Assembly



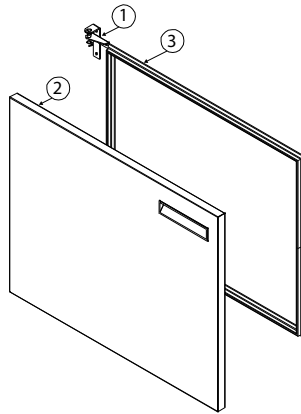
Key	Description	Part Number	Note
	Assembly, 1/3-1/5 Stacked,	000-BN5-0040-S	
	Blade, Fan, 7.25 Diameter	3516457	
	Capacitor, start, 280mfd	2194787	
	Capacitor, start, 320mfd	2194788	
	Coil, Condenser, 1/5, 1/4	3516454	
	Compressor, 1/5hp, 115/60, r404a	3526997	
	Compressor, nf7cls, 115v/60hz	3527000	
	Drier, filter, (2)inlet	3516322	
	Guard, Fan, 7.25	2160020	
	Motor, fan, 9w,115v,cw	2162717	
	Regulator, pressure, 1/2	3516193	
	Relay, Comp, Danfoss	3516446	
	Relay, comp, overload, nf7clx	3516438	
	Valve, exp, freezer, 1/4ton	3516225	

Obsolete 18648PDL Fans Left Refrigerator Evaporator Coil Assembly



Key	Description	Part Number	Note
-	Coil Assembly, Ref, Fan Lt	000-248-0037-S	
1	Guard, fan, 4.7"	2160024	
2	Fan, axial	2160023	
3	Coil, evaporator	3516095	
4	Back, evaporator, enclosure	030-232-0003-S	
5	Drip pan, evaporator	000-BNH-0030-S	
6	Side, coil, angled, Rt, Blank	030-233-0038-S	
7	Expansion valve, 1/4	3516273	
8	Front, coil	030-234-0003-S	
9	Side, Coil, Angled, Lt, 2Fan	030-233-0039-S	
-	Harness, coil	2184317	
-	Probe, Defrost, Thermostat	2194808	
-	Probe, Temp, Sensor	2194809	

Obsolete 18648PDL Door Assembly Parts



Key	Description	Part Number	Note
1	Hinge Kit	0160179	
2	Door Assembly, Ref, 27X26, LT, 430	000-187-0082-S	
2	Door Assembly, Ref, 27X26, RT,430	000-187-0081-S	
3	Gasket, Door, 27, Mark7	1701185	

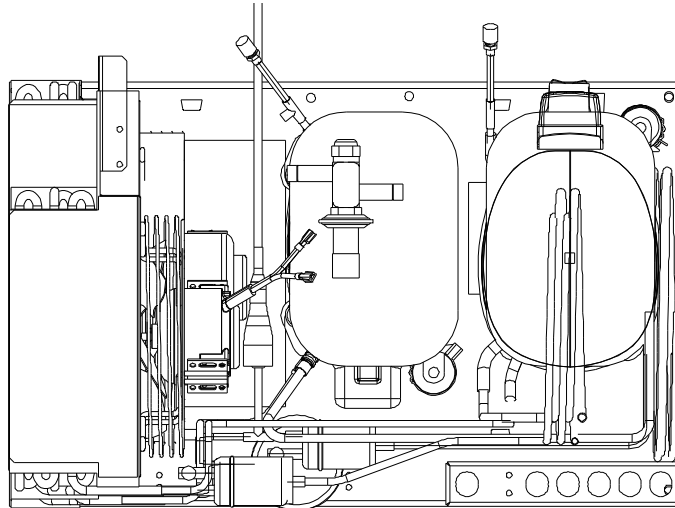
Obsolete 18672PDL Components

Obsolete 18672PDL Common Components

Replacement parts only. Unit is no longer in production as of 3-30-17.

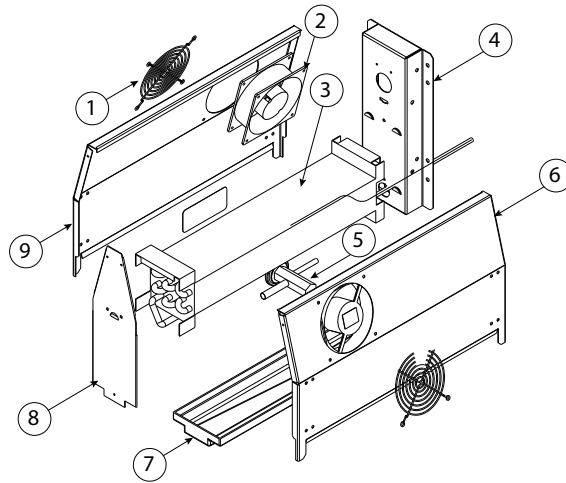
Key	Description	Part Number	Note
	Bracket, Cutting Board	263-110-0034-S	
	Bracket, Cutting Board	263-110-0036-S	
	Caster, 3DIA, Swivel, Plate	3234186	
	Control, Danfoss, GDM, 115V	RF000083	
	Cover Assembly, Hinged, 6 Pan, PTL	000-402-0054-S	
	Hinge, Pan Cover	3234392	
	Hinge, Pan Cover, End, LH	3234282	
	Hinge, Pan Cover, End, RH	3234266	
	Panel, Louver, 18.0, PTB	359-478-003D-S	
	Pin, Hinge, Salad Pan	9321374	
	Shelf, Wire, 27"	3978014	
	Support, Shelf, Plastic	3234290	
	Switch, Rocker, 20A/125V	2190154	
	Thermometer, Hanging, 4	3516135	
	Thermostat Assembly, Danfoss, MK7	000-282-0053-S	

Obsolete 18672PDL 1/2-1/5 Stacked R404A Condensing Unit Assembly



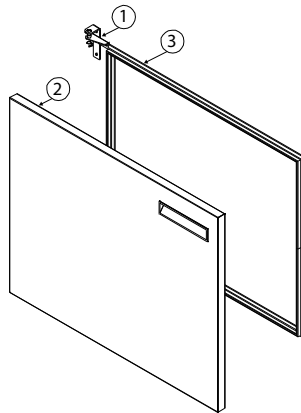
Key	Description	Part Number	Note
	Assembly, 1/2-1/5 Stacked,	000-BN5-003Y-S	
	Blade, Fan, 7.25 Diameter	3516457	
	Blade, fan, 25deg, 10", cw	3516433	
	Capacitor, start, 240mfd	2194789	
	Capacitor, start, 280mfd	2194787	
	Coil, Condenser, 1/5, 1/4,	3516454	
	Coil, Condenser, 1/2 Hp	3516455	
	Compressor, 1/5hp, 115/60, r404a	3526997	
	Compressor, sc12clx.2, 115/60hz,	3527001	
	Drier, filter, (2)inlet	3516322	
	Guard, Fan, 7.25	2160020	
	Guard, fan, wire	2160019	
	Motor, fan, 9w, 115v, cw	2162717	
	Motor, fan	2162513	
	Regulator, pressure, 1/2	3516193	
	Relay, Compressor, Danfoss	3516446	
	Relay, compressor, sc12clx.2	3516441	
	Thermal Expansion Valve, freezer, 1/4ton	3516225	

Obsolete 18672PDL Refrigerator Evaporator Coil Assembly



Key	Description	Part Number	Note
-	Coil Assembly, Ref	000-248-0030-S	
1	Guard, fan, 4.7"	2160024	
2	Fan, axial	2160023	
3	Coil, evaporator	3516095	
4	Back, evaporator, enclosure	030-232-0003-S	
5	Expansion valve, 1/4	3516273	
6	Side, coil, angled, Right	030-233-0001-S	
7	Drip pan, evaporator	075-231-0033-S	
8	Front, coil	030-234-0003-S	
9	Side, coil, angled, Left	030-233-0002-S	
-	Harness, coil	2184317	
-	Probe, Defrost, Thermostat	2194808	
-	Probe, Temp, Sensor	2194809	

Obsolete 18672PDL Door Assembly Parts



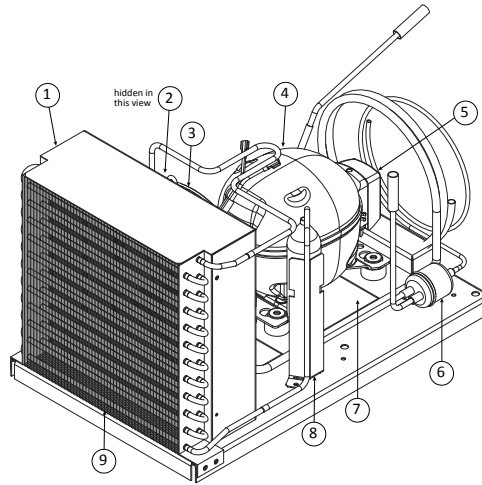
Key	Description	Part Number	Note
1	Hinge Kit	0160179	
2	Door Assembly, Ref, 27X26, LT, 430	000-187-0082-S	
2	Door Assembly, Ref, 27X26, RT,430	000-187-0081-S	
3	Gasket, Door, 27, Mark7	1701185	

18648PTBMP Components

18648PTBMP R290 Common Components

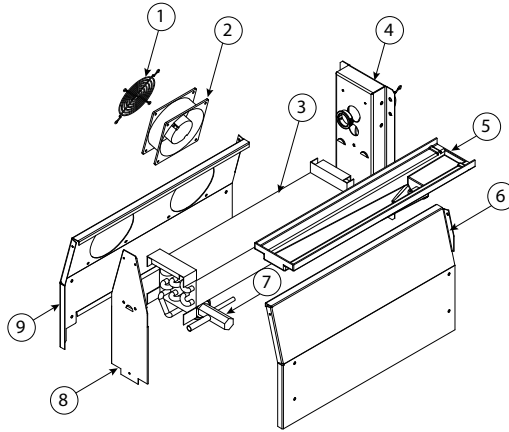
Key	Description	Part Number	Note
	Appliance Switch	2198717	
	Caster, 5, Plate, Swivel	3234198	
	Caster, 5, Plate, Swivel, Break	3234199	
	Control Assembly, Rail/CP, MK7	000-CZ0-0057KT-S	
	Control Assembly, Refg, Double HookUp	000-CZ0-0059KT-S	
	Cover Assembly, Hinged, 12 Pan	000-402-0050-S	
	Hinge, Pan Cover, End, LH	3234282	
	Hinge, Pan Cover, End, RH	3234266	
	Panel, Louver, 15.0, PTB	359-478-004U-S	
	Screw, Shelf Support, 1.5"	9321132	
	Shelf, Wire, 27"	3978014	
	Shelf Support, 1"	3234290	

18648PTBMP 1/4HP R290 Condensing Unit Assemblies



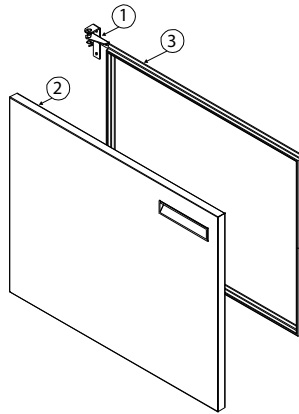
Key	Description	Part Number	Note
-	Condensing Unit Assembly, 1/4HP, R290	000-BN5-007W-S	
1	Shroud	026-C58-003D-S	
2	Blade, CW	3516433 (10")	
2	Motor, Fan, 115V, Unit Bearing	2162716 (16W)	
3	Guard, Fan	2160019	
4	Compressor, R290, Danfoss, DLE5.7CN	3527163	
5	Capacitor, Start, 320MFD	3520010	
5	Compressor, Relay, Overload, NF7CLX	3520011	
6	Drier, Filter, (2)Inlet	3516478	
7	Pan, Condensate, SM	039-231-0030-S	
8	Receiver Tank, R290	3510004	
9	Coil, Condenser, R290	3510003	

18648PTBMP Fans Left Refrigerator Evaporator Coil Assembly



Key	Description	Part Number	Note
-	Coil Assembly, Ref, Fan Lt	000-248-003Z-S	
1	Guard, fan, 4.7"	2160024	
2	Fan, axial	2160023	
3	Coil, evaporator	3510005	
4	Back, evaporator, enclosure	030-232-0003-S	
5	Drip pan, evaporator	000-BNH-0030-S	
6	Side, coil, angled, Rt, Blank	030-233-0038-S	
7	Expansion valve, 1/4	3517414	
8	Front, coil	030-234-0003-S	
9	Side, Coil, Angled, Lt, 2Fan	030-233-0039-S	
-	Harness, coil	2184317	
-	Probe, Defrost, Thermostat	2194808	
-	Probe, Temp, Sensor	2194809	

18648PTBMP Door Assembly Parts



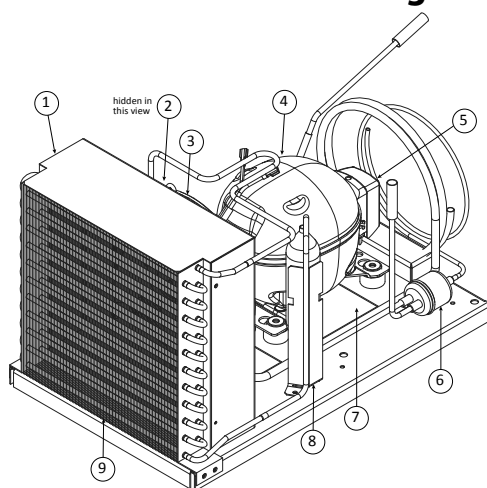
Key	Description	Part Number	Note
1	Hinge Kit	0160179	
2	Door Assembly, Ref, 27X26, LT, 430	000-187-0082-S	
2	Door Assembly, Ref, 27X26, RT,430	000-187-0081-S	
3	Gasket, Door, 27, Mark7	1701185	

18660PTBMP Components

18660PTBMP R290 Common Components

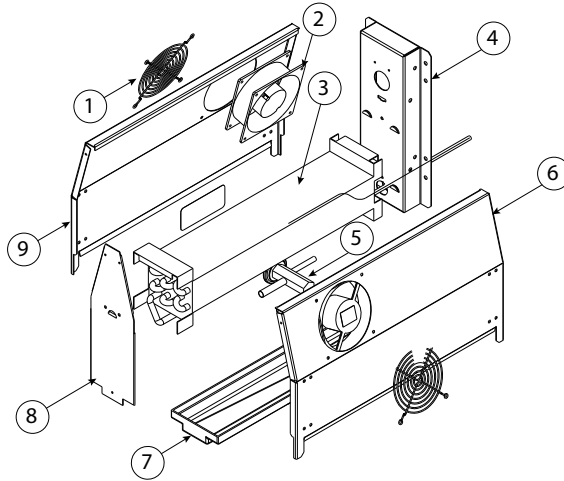
Key	Description	Part Number	Note
	Appliance Switch	2198717	
	Caster, 5, Plate, Swivel	3234198	
	Caster, 5, Plate, Swivel, Break	3234199	
	Control Assembly, Rail/CP, MK7	000-CZ0-0057KT-S	
	Control Assembly, Refg, Double HookUp	000-CZ0-0059KT-S	
	Cover Assembly, Hinged, 6 Pan, RT	000-402-004Q-S	
	Cover Assembly, Hinged, 8 Pan, LT, PTB	000-402-004T-S	
	Hinge, Pan Cover, Center	3234392	
	Hinge, Pan Cover, End, LH	3234282	
	Hinge, Pan Cover, End, RH	3234266	
	Panel, Louver, 14.0, PTB	359-478-004S-S	
	Screw, Shelf Support, 1.5"	9321132	
	Shelf, Wire, 19X32DP	3977984	
	Shelf, Wire, 27"	3978014	
	Shelf Support, 1"	3234290	

18660PTBMP 1/4HP R290 Condensing Unit Assemblies



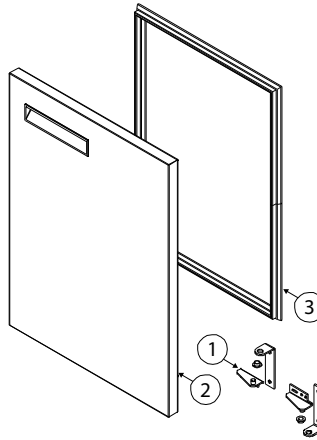
Key	Description	Part Number	Note
-	Condensing Unit Assembly, 1/4HP, R290	000-BN5-007W-S	
1	Shroud	026-C58-003D-S	
2	Blade, CW	3516433 (10")	
2	Motor, Fan, 115V, Unit Bearing	2162716 (16W)	
3	Guard, Fan	2160019	
4	Compressor, R290, Danfoss, DLE5.7CN	3527163	
5	Capacitor, Start, 320MFD	3520010	
5	Compressor, Relay, Overload, NF7CLX	3520011	
6	Drier, Filter, (2)Inlet	3516478	
7	Pan, Condensate, SM	039-231-0030-S	
8	Receiver Tank, R290	3510004	
9	Coil, Condenser, R290	3510003	

18660PTBMP Refrigerator Evaporator Coil Assembly



Key	Description	Part Number	Note
-	Coil Assembly, Ref	000-248-003T-S	
1	Guard, fan, 4.7"	2160024	
2	Fan, axial	2160023	
3	Coil, evaporator	3510005	
4	Back, evaporator, enclosure	030-232-0003-S	
5	Expansion valve, 1/4	3517414	
6	Side, coil, angled, Right	030-233-0001-S	
7	Drip pan, evaporator	000-BNH-0030-S	
8	Front, coil	030-234-0003-S	
9	Side, coil, angled, Left	030-233-0002-S	
-	Harness, coil	2184317	
-	Probe, Defrost, Thermostat	2194808	
-	Probe, Temp, Sensor	2194809	

18660PTBMP Door Assembly Parts



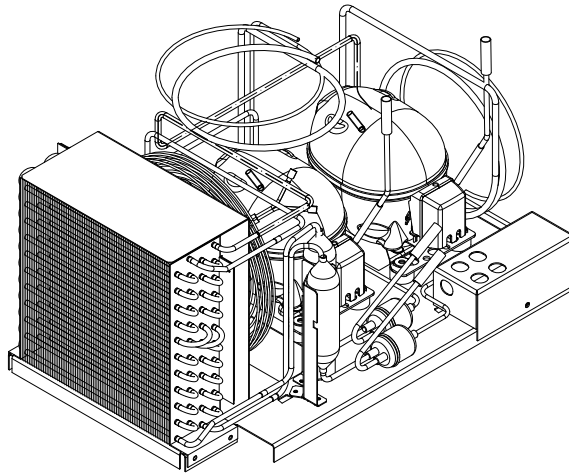
Key	Description	Part Number	Note
1	Hinge Kit	0160179	
2	Door Assembly, Ref, 19X26, LT, 430	000-187-007Y-S	
2	Door Assembly, Ref, 19X26, RT, 430	000-187-007X-S	
2	Door Assembly, Ref, 27X26, LT, 430	000-187-0082-S	
2	Door Assembly, Ref, 27X26, RT, 430	000-187-0081-S	
3	Gasket, Door, 19, Mark7	1701183	
3	Gasket, Door, 27, Mark7	1701185	

18672PTBMP Components

18672PTBMP R290 Common Components

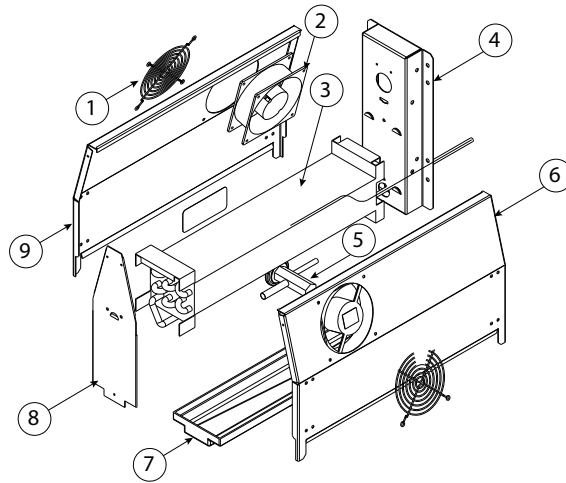
Key	Description	Part Number	Note
	Appliance Switch	2198717	
	Caster, 5, Plate, Swivel	3234198	
	Caster, 5, Plate, Swivel, Break	3234199	
	Control Assembly, Rail/CP, MK7	000-CZ0-0057KT-S	
	Control Assembly, Refg, MK7	000-CZ0-0061KT-S	
	Cover Assembly, Hinged, 8 Pan, RT	000-402-004U-S	
	Cover Assembly, Hinged, 10 Pan, LT	000-402-004X-S	
	Hinge, Pan Cover, Center	3234392	
	Hinge, Pan Cover, End, LH	3234282	
	Hinge, Pan Cover, End, RH	3234266	
	Panel, Louver, 18.0, PTB	359-478-004T-S	
	Screw, Shelf Support, 1.5"	9321132	
	Shelf, Wire, 27"	3978014	
	Shelf Support, 1"	3234290	

18672PTBMP 1/5-1/5 Stacked R290 Condensing Unit Assembly



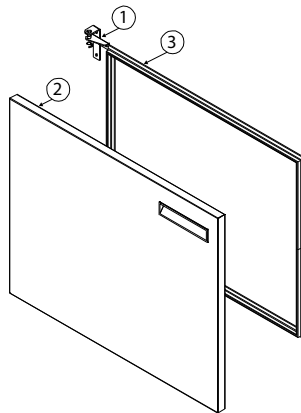
Key	Description	Part Number	Note
	Assembly, Dual, 1/5, R290, Split System	000-BN5-007Y-S	
	Blade, Fan, 25Deg. 10", CW, Upright	3516433	
	Coil, Condenser, R290, Dual Circuit	3510007	
	Compressor, R290, Danfoss, DLE4.0CN	3527162	
	Drier, filter, (2)inlet	3516478	
	Guard, Fan	2160019	
	Harness, Main & Compressor	2195118	
	Motor, fan, 16w, 115v, Unit Bearing	2162716	
	Pan, Condensate	039-231-0031-S	
	Receiver Tank	3510004	
	Relay, Compressor	3520009	
	Shroud, Dual Circuit	026-C58-003A-S	
	Start Capacitor	3520010	

18672PTBMP Refrigerator Evaporator Coil Assembly



Key	Description	Part Number	Note
-	Coil Assembly, Ref	000-248-003T-S	
1	Guard, fan, 4.7"	2160024	
2	Fan, axial	2160023	
3	Coil, evaporator	3510005	
4	Back, evaporator, enclosure	030-232-0003-S	
5	Expansion valve, 1/4	3517414	
6	Side, coil, angled, Right	030-233-0001-S	
7	Drip pan, evaporator	000-BNH-0030-S	
8	Front, coil	030-234-0003-S	
9	Side, coil, angled, Left	030-233-0002-S	
-	Harness, coil	2184317	
-	Probe, Defrost, Thermostat	2194808	
-	Probe, Temp, Sensor	2194809	

18672PTBMP Door Assembly Parts



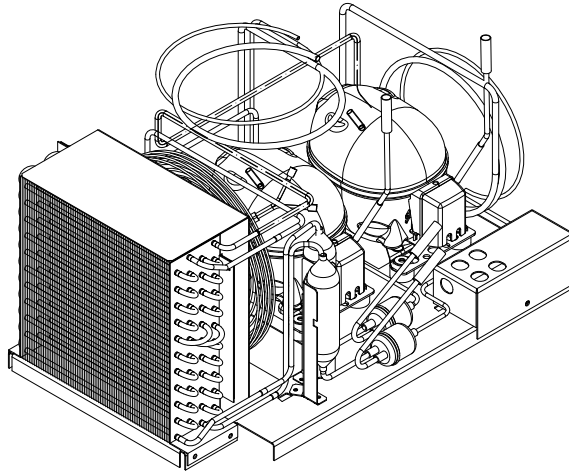
Key	Description	Part Number	Note
1	Hinge Kit	0160179	
2	Door Assembly, Ref, 27X26, LT, 430	000-187-0082-S	
2	Door Assembly, Ref, 27X26, RT,430	000-187-0081-S	
3	Gasket, Door, 27, Mark7	1701185	

18691PTBMP Components

18691PTBMP R290 Common Components

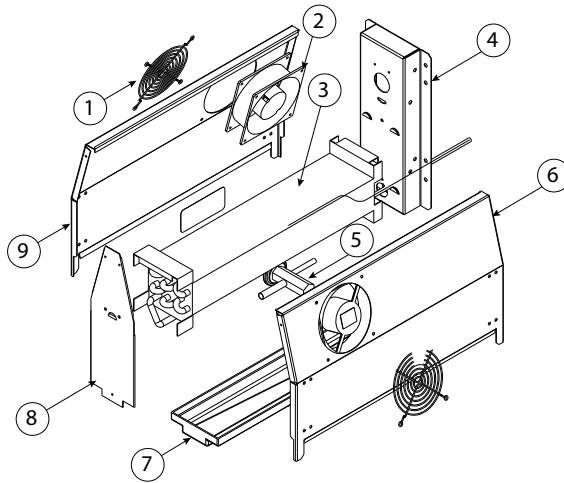
Key	Description	Part Number	Note
	Appliance Switch	2198717	
	Caster, 5, Plate, Swivel	3234198	
	Caster, 5, Plate, Swivel, Break	3234199	
	Control Assembly, Rail/CP, MK7	000-CZ0-0057KT-S	
	Control Assembly, Refg, MK7	000-CZ0-0061KT-S	Built before 12-1-17
	Control Assembly, Refg, Single HookUp	000-CZ0-0086KT-S	Built after 12-1-17
	Cover Assembly, Hinged, 10 Pan, RT	000-402-004Y-S	
	Cover Assembly, Hinged, 12 Pan, LT	000-402-0051-S	
	Hinge, Pan Cover, Center	3234392	
	Hinge, Pan Cover, End, LH	3234282	
	Hinge, Pan Cover, End, RH	3234266	
	Panel, Louver, 18.0, PTB	359-478-004T-S	
	Screw, Shelf Support, 1.5"	9321132	
	Shelf, Wire, 19X32DP	3977984	
	Shelf, Wire, 27"	3978014	
	Shelf Support, 1"	3234290	

18691PTBMP 1/5-1/5 Stacked R290 Condensing Unit Assembly



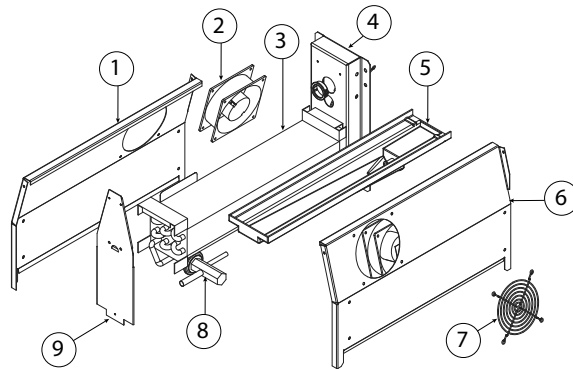
Key	Description	Part Number	Note
	Assembly, Dual, 1/5, R290, Split System	000-BN5-007Y-S	
	Blade, Fan, 25Deg. 10", CW, Upright	3516433	
	Coil, Condenser, R290, Dual Circuit	3510007	
	Compressor, R290, Danfoss, DLE4.0CN	3527162	
	Drier, filter, (2)inlet	3516478	
	Guard, Fan	2160019	
	Harness, Main & Compressor	2195118	
	Motor, fan, 16w,115v, Unit Bearing	2162716	
	Pan, Condensate	039-231-0031-S	
	Receiver Tank	3510004	
	Relay, Compressor	3520009	
	Shroud, Dual Circuit	026-C58-003A-S	
	Start Capacitor	3520010	

18691PTBMP Refrigerator Evaporator Coil Assembly



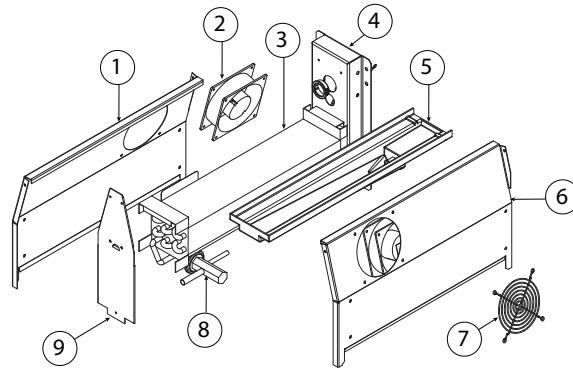
Key	Description	Part Number	Note
-	Coil Assembly, Ref	000-248-003T-S	
1	Guard, fan, 4.7"	2160024	
2	Fan, axial	2160023	
3	Coil, evaporator	3510005	
4	Back, evaporator, enclosure	030-232-0003-S	
5	Expansion valve, 1/4	3517414	
6	Side, coil, angled, Right	030-233-0001-S	
7	Drip pan, evaporator	000-BNH-0030-S	
8	Front, coil	030-234-0003-S	
9	Side, coil, angled, Left	030-233-0002-S	
-	Harness, coil	2184317	
-	Probe, Defrost, Thermostat	2194808	
-	Probe, Temp, Sensor	2194809	

18691PTBMP Defrost Probe Refrigerator Evaporator Coil Assembly



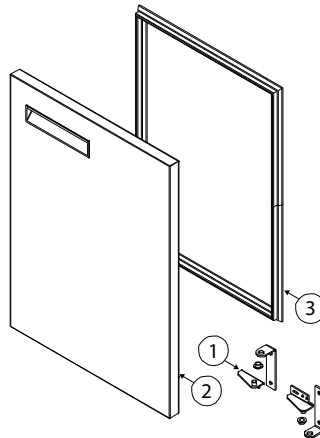
Key	Description	Part Number	Note
-	Coil Assembly, Ref, No Probes	000-248-004D-S	Built after 12-1-17
1	Side, Coil, Angled, Lt	030-233-0002-S	
2	Fan, Axial	2160023	
3	Coil, evaporator	3510005	
4	Back, evaporator, enclosure	030-232-0003-S	
5	Drip pan, evaporator	000-BNH-0030-S	
6	Side, coil, angled, Rt	030-233-0001-S	
7	Guard, fan, 4.7"	2160024	
8	Expansion valve	3517414	
9	Front, coil	030-234-0003-S	
-	Harness, coil	2184317	
-	Probe, Sensor, Defrost, Danfoss	2194833	

18691PTBMP No Probes Refrigerator Evaporator Coil Assembly



Key	Description	Part Number	Note
-	Coil Assembly, Ref, No Probes	000-248-003X-S	Built before 12-1-17
1	Side, Coil, Angled, Lt	030-233-0002-S	
2	Fan, Axial	2160023	
3	Coil, evaporator	3510005	
4	Back, evaporator, enclosure	030-232-0003-S	
5	Drip pan, evaporator	000-BNH-0030-S	
6	Side, coil, angled, Rt	030-233-0001-S	
7	Guard, fan, 4.7"	2160024	
8	Expansion valve	3517414	
9	Front, coil	030-234-0003-S	
-	Harness, coil	2184317	

18691PTBMP Door Assembly Parts



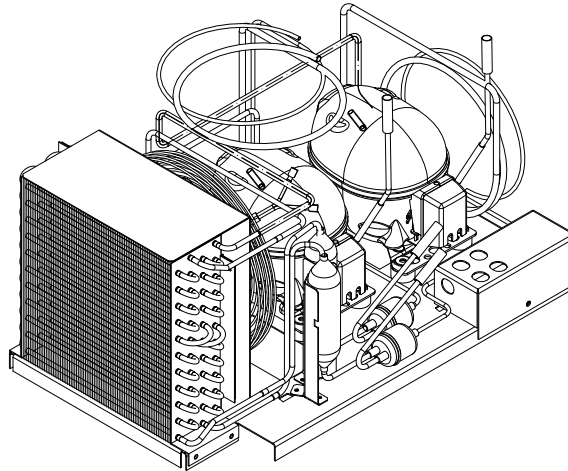
Key	Description	Part Number	Note
1	Hinge Kit	0160179	
2	Door Assembly, Ref, 19X26, LT, 430	000-187-007Y-S	
2	Door Assembly, Ref, 19X26, RT, 430	000-187-007X-S	
2	Door Assembly, Ref, 27X26, LT, 430	000-187-0082-S	
2	Door Assembly, Ref, 27X26, RT,430	000-187-0081-S	
3	Gasket, Door, 19, Mark7	1701183	
3	Gasket, Door, 27, Mark7	1701185	

18699PTBMP Components

18699PTBMP R290 Common Components

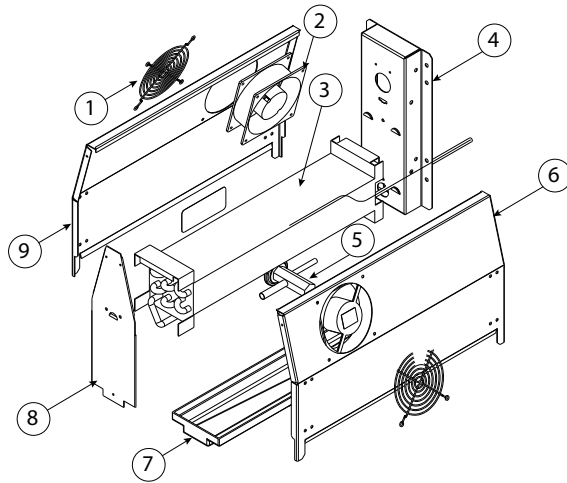
Key	Description	Part Number	Note
	Appliance Switch	2198717	
	Caster, 5, Plate, Swivel	3234198	
	Caster, 5, Plate, Swivel, Break	3234199	
	Control Assembly, Rail/CP, MK7	000-CZ0-0057KT-S	
	Control Assembly, Refg, MK7	000-CZ0-0061KT-S	Built before 12-1-17
	Control Assembly, Refg, Single HookUp	000-CZ0-0086KT-S	Built after 12-1-17
	Cover Assembly, Hinged, 12 Pan, LT	000-402-0051-S	
	Cover Assembly, Hinged, 12 Pan, RT	000-402-0052-S	
	Hinge, Pan Cover, Center	3234392	
	Hinge, Pan Cover, End, LH	3234282	
	Hinge, Pan Cover, End, RH	3234266	
	Panel, Louver, 18.0, PTB	359-478-004T-S	
	Screw, Shelf Support, 1.5"	9321132	
	Shelf, Wire, 27"	3978014	
	Shelf Support, 1"	3234290	

18699PTBMP 1/5-1/5 Stacked R290 Condensing Unit Assembly



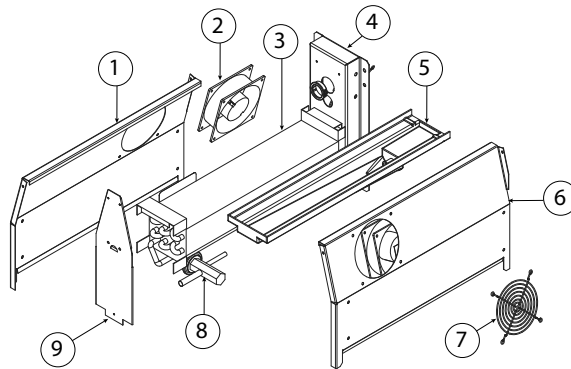
Key	Description	Part Number	Note
	Assembly, Dual, 1/5, R290, Split System	000-BN5-007Y-S	
	Blade, Fan, 25Deg. 10", CW, Upright	3516433	
	Coil, Condenser, R290, Dual Circuit	3510007	
	Compressor, R290, Danfoss, DLE4.0CN	3527162	
	Drier, filter, (2)inlet	3516478	
	Guard, Fan	2160019	
	Harness, Main & Compressor	2195118	
	Motor, fan, 16w,115v, Unit Bearing	2162716	
	Pan, Condensate	039-231-0031-S	
	Receiver Tank	3510004	
	Relay, Compressor	3520009	
	Shroud, Dual Circuit	026-C58-003A-S	
	Start Capacitor	3520010	

18699PTBMP Refrigerator Evaporator Coil Assembly



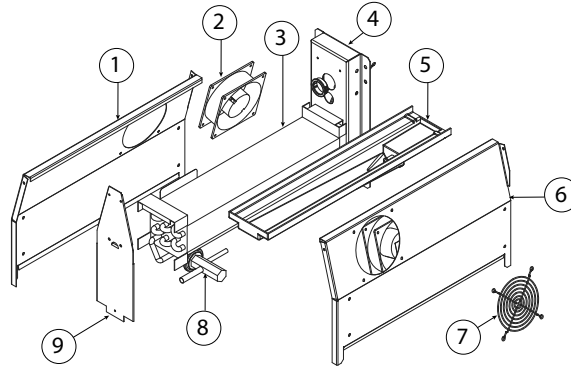
Key	Description	Part Number	Note
-	Coil Assembly, Ref	000-248-003T-S	
1	Guard, fan, 4.7"	2160024	
2	Fan, axial	2160023	
3	Coil, evaporator	3510005	
4	Back, evaporator, enclosure	030-232-0003-S	
5	Expansion valve, 1/4	3517414	
6	Side, coil, angled, Right	030-233-0001-S	
7	Drip pan, evaporator	000-BNH-0030-S	
8	Front, coil	030-234-0003-S	
9	Side, coil, angled, Left	030-233-0002-S	
-	Harness, coil	2184317	
-	Probe, Defrost, Thermostat	2194808	
-	Probe, Temp, Sensor	2194809	

18699PTBMP Defrost Probe Refrigerator Evaporator Coil Assembly



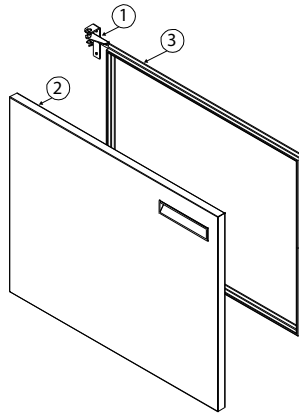
Key	Description	Part Number	Note
-	Coil Assembly, Ref, No Probes	000-248-004D-S	Built after 12-1-17
1	Side, Coil, Angled, Lt	030-233-0002-S	
2	Fan, Axial	2160023	
3	Coil, evaporator	3510005	
4	Back, evaporator, enclosure	030-232-0003-S	
5	Drip pan, evaporator	000-BNH-0030-S	
6	Side, coil, angled, Rt	030-233-0001-S	
7	Guard, fan, 4.7"	2160024	
8	Expansion valve	3517414	
9	Front, coil	030-234-0003-S	
-	Harness, coil	2184317	
-	Probe, Sensor, Defrost, Danfoss	2194833	

18699PTBMP No Probes Refrigerator Evaporator Coil Assembly



Key	Description	Part Number	Note
-	Coil Assembly, Ref, No Probes	000-248-003X-S	Built before 12-1-17
1	Side, Coil, Angled, Lt	030-233-0002-S	
2	Fan, Axial	2160023	
3	Coil, evaporator	3510005	
4	Back, evaporator, enclosure	030-232-0003-S	
5	Drip pan, evaporator	000-BNH-0030-S	
6	Side, coil, angled, Rt	030-233-0001-S	
7	Guard, fan, 4.7"	2160024	
8	Expansion valve	3517414	
9	Front, coil	030-234-0003-S	
-	Harness, coil	2184317	

18699PTBMP Door Assembly Parts



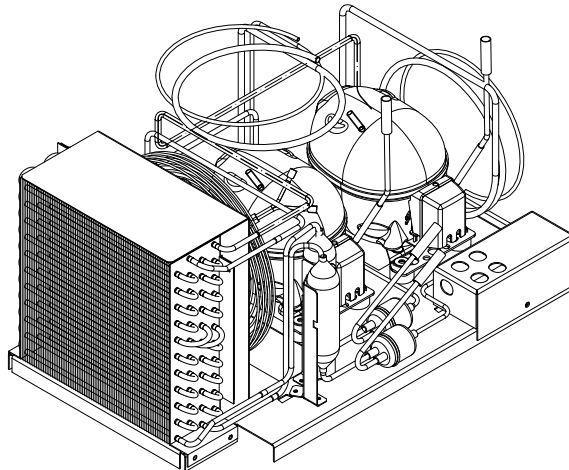
Key	Description	Part Number	Note
1	Hinge Kit	0160179	
2	Door Assembly, Ref, 27X26, LT, 430	000-187-0082-S	
2	Door Assembly, Ref, 27X26, RT,430	000-187-0081-S	
3	Gasket, Door, 27, Mark7	1701185	

186114PTBMP Components

186114PTBMP R290 Common Components

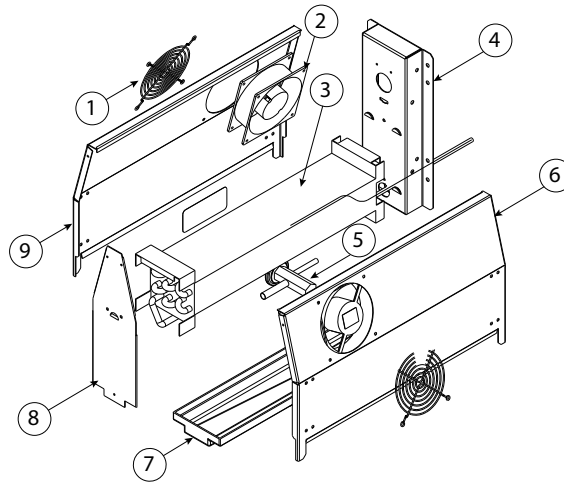
Key	Description	Part Number	Note
	Appliance Switch	2198717	
	Caster, 5, Plate ,Swivel	3234198	
	Caster, 5, Plate, Swivel, Break	3234199	
	Control Assembly, Rail/CP, MK7	000-CZ0-0057KT-S	
	Control Assembly, Refg, MK7	000-CZ0-0061KT-S	Built before 12-1-7
	Control Assembly, Refg, Single HookUp,	000-CZ0-0086KT-S	Built after 12-1-7
	Cover Assembly, Hinged, 8 Pan	000-402-004V	
	Cover Assembly, Hinged, 10 Pan, LT	000-402-004X	
	Cover Assembly, Hinged, 10 Pan, RT	000-402-004Y	
	Hinge, Pan Cover, Center	3234392	
	Hinge, Pan Cover, End, LH	3234282	
	Hinge, Pan Cover, End, RH	3234266	
	Panel, Louver, 18.0, PTB	359-478-004T	
	Screw, Shelf Support, 1.5"	9321132	
	Shelf, Wire, 32X32 DP	3977983	
	Shelf Support, 1"	3234290	

186114PTBMP 1/5-1/5 Stacked R290 Condensing Unit Assembly



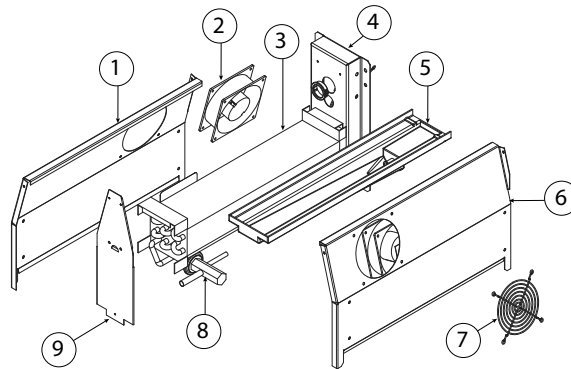
Key	Description	Part Number	Note
	Assembly, Dual, 1/5, R290, Split System	000-BN5-007Y-S	
	Blade, Fan, 25Deg. 10", CW, Upright	3516433	
	Coil, Condenser, R290, Dual Circuit	3510007	
	Compressor, R290, Danfoss, DLE4.0CN	3527162	
	Drier, filter, (2)inlet	3516478	
	Guard, Fan	2160019	
	Harness, Main & Compressor	2195118	
	Motor, fan, 16w,115v, Unit Bearing	2162716	
	Pan, Condensate	039-231-0031-S	
	Receiver Tank	3510004	
	Relay, Compressor	3520009	
	Shroud, Dual Circuit	026-C58-003A-S	
	Start Capacitor	3520010	

186114PTBMP Refrigerator Evaporator Coil Assembly



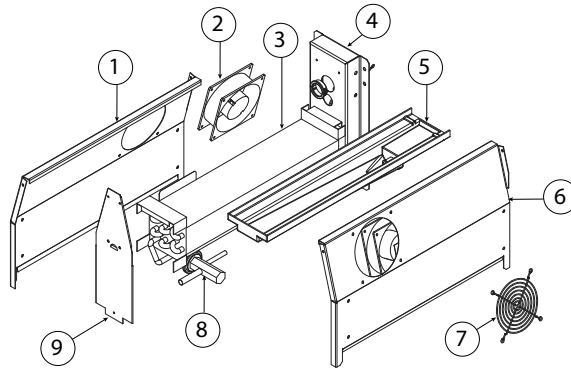
Key	Description	Part Number	Note
-	Coil Assembly, Ref	000-248-003T-S	
1	Guard, fan, 4.7"	2160024	
2	Fan, axial	2160023	
3	Coil, evaporator	3510005	
4	Back, evaporator, enclosure	030-232-0003-S	
5	Expansion valve, 1/4	3517414	
6	Side, coil, angled, Right	030-233-0001-S	
7	Drip pan, evaporator	000-BNH-0030-S	
8	Front, coil	030-234-0003-S	
9	Side, coil, angled, Left	030-233-0002-S	
-	Harness, coil	2184317	
-	Probe, Defrost, Thermostat	2194808	
-	Probe, Temp, Sensor	2194809	

186114PTBMP Defrost Probe Refrigerator Evaporator Coil Assembly



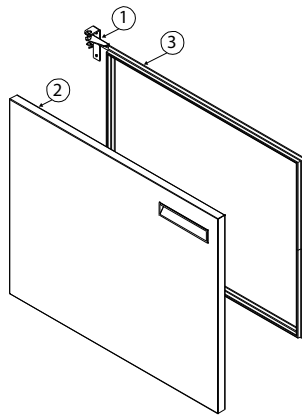
Key	Description	Part Number	Note
-	Coil Assembly, Ref, No Probes	000-248-004D-S	Built after 12-1-17
1	Side, Coil, Angled, Lt	030-233-0002-S	
2	Fan, Axial	2160023	
3	Coil, evaporator	3510005	
4	Back, evaporator, enclosure	030-232-0003-S	
5	Drip pan, evaporator	000-BNH-0030-S	
6	Side, coil, angled, Rt	030-233-0001-S	
7	Guard, fan, 4.7"	2160024	
8	Expansion valve	3517414	
9	Front, coil	030-234-0003-S	
-	Harness, coil	2184317	
-	Probe, Sensor, Defrost, Danfoss	2194833	

186114PTBMP No Probes Refrigerator Evaporator Coil Assembly



Key	Description	Part Number	Note
-	Coil Assembly, Ref, No Probes	000-248-003X-S	Built before 12-1-17
1	Side, Coil, Angled, Lt	030-233-0002-S	
2	Fan, Axial	2160023	
3	Coil, evaporator	3510005	
4	Back, evaporator, enclosure	030-232-0003-S	
5	Drip pan, evaporator	000-BNH-0030-S	
6	Side, coil, angled, Rt	030-233-0001-S	
7	Guard, fan, 4.7"	2160024	
8	Expansion valve	3517414	
9	Front, coil	030-234-0003-S	
-	Harness, coil	2184317	

186114PTBMP Door Assembly Parts



1	Hinge Kit	0160179	
2	Door Assembly, Ref, 32X26, LT, 430	000-187-0084-S	
2	Door Assembly, Ref, 32X26, RT, 430	000-187-0083-S	
3	32" Door Gasket	1701186	

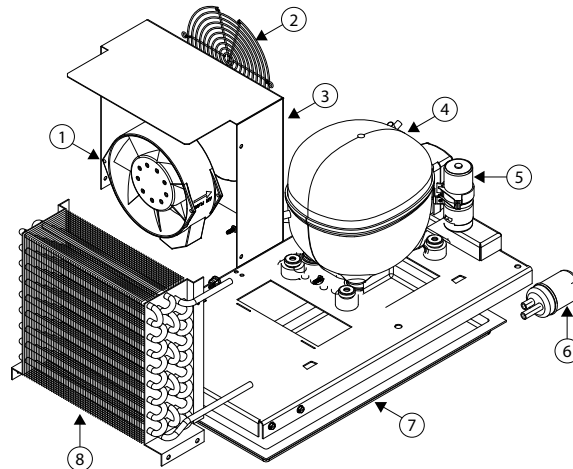
Obsolete 18648PTBM Components

Obsolete 18648PTBM R404A Common Components

R404A replacement parts only. Unit is no longer in production as of 3-30-17.

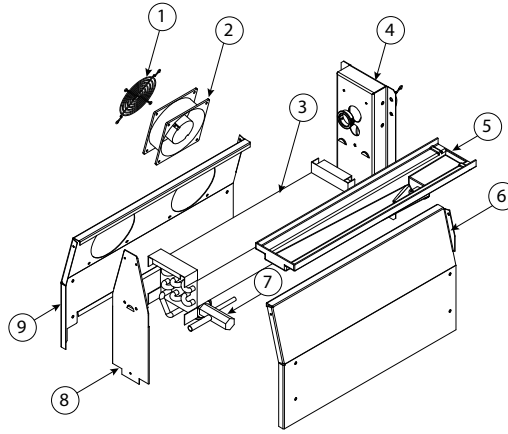
Key	Description	Part Number	Note
	Caster, 5, Plate, Swivel	3234198	
	Caster, 5, Plate, Swivel, Break	3234199	
	Control, Danfoss, GDM, 115V	RF000083	
	Control, Low Pressure	2193927	
	Cover Assembly, Hinged, 12 Pan	000-402-0050-S	
	Hinge, Pan Cover, Center	3234392	
	Hinge, Pan Cover, End, LH	3234282	
	Hinge, Pan Cover, End, RH	3234266	
	Panel, Louver, 15.0, PTB	359-478-003E-S	
	Screw, Shelf Support, 1.5"	9321132	
	Shelf, Wire, 27"	3978014	
	Shelf Support, 1"	3234290	
	Switch, Rocker, 20A/125V	2190154	

Obsolete 18648PTBM 1/4HP R404A Condensing Unit Assembly



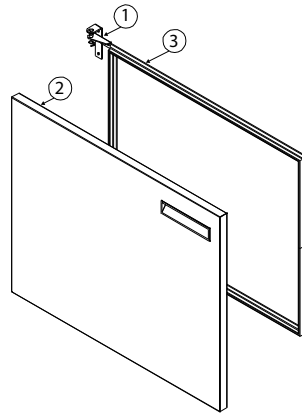
Key	Description	Part Number	Note
-	Assembly, 1/4 HP Condensing Unit	000-BN5-0030-S	
1	Fan	2160028	
2	Guard, Fan	2160030	
3	Shroud, Condenser Coil	026-C58-0037-S	
4	Compressor, Danfoss, NF5.5CLX	3526999	
5	Start Capacitor	2194787	
5	Comp, Relay, Overload, NF5.5CLX	3516444	
6	Filter Dryer	3516322	
7	Condensate Pan	039-231-0030-S	
8	Condenser Coil	3516454	

Obsolete 18648PTBM Fans Left Refrigerator Evaporator Coil Assembly



Key	Description	Part Number	Note
-	Coil Assembly, Ref, Fan Lt	000-248-0037-S	
1	Guard, fan, 4.7"	2160024	
2	Fan, axial	2160023	
3	Coil, evaporator	3516095	
4	Back, evaporator, enclosure	030-232-0003-S	
5	Drip pan, evaporator	000-BNH-0030-S	
6	Side, coil, angled, Rt, Blank	030-233-0038-S	
7	Expansion valve, 1/4	3516273	
8	Front, coil	030-234-0003-S	
9	Side, Coil, Angled, Lt, 2Fan	030-233-0039-S	
-	Harness, coil	2184317	
-	Probe, Defrost, Thermostat	2194808	
-	Probe, Temp, Sensor	2194809	

Obsolete 18648PTBM Door Assembly Parts



Key	Description	Part Number	Note
1	Hinge Kit	0160179	
2	Door Assembly, Ref, 27X26, LT, 430	000-187-0082-S	
2	Door Assembly, Ref, 27X26, RT,430	000-187-0081-S	
3	Gasket, Door, 27, Mark7	1701185	

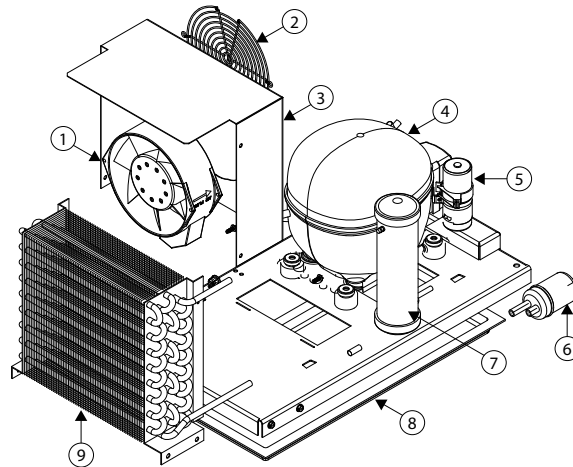
Obsolete 18660PTBM Components

Obsolete 18660PTBM R404A Common Components

R404A replacement parts only. Unit is no longer in production as of 3-30-17.

Key	Description	Part Number	Note
	Caster, 5, Plate, Swivel	3234198	
	Caster, 5, Plate, Swivel, Break	3234199	
	Control, Danfoss, GDM, 115V	RF000083	
	Control, Low Pressure	2193927	
	Cover Assembly, Hinged, 6 Pan, RT	000-402-004Q-S	
	Hinge, Pan Cover, Center	3234392	
	Hinge, Pan Cover, End, LH	3234282	
	Hinge, Pan Cover, End, RH	3234266	
	Panel, Louver, 14.0, PTB	359-478-003C-S	
	Screw, Shelf Support, 1.5"	9321132	
	Shelf, Wire, 19X32DP	3977984	
	Shelf, Wire, 27"	3978014	
	Shelf Support, 1"	3234290	
	Switch, Rocker, 20A/125V	2190154	

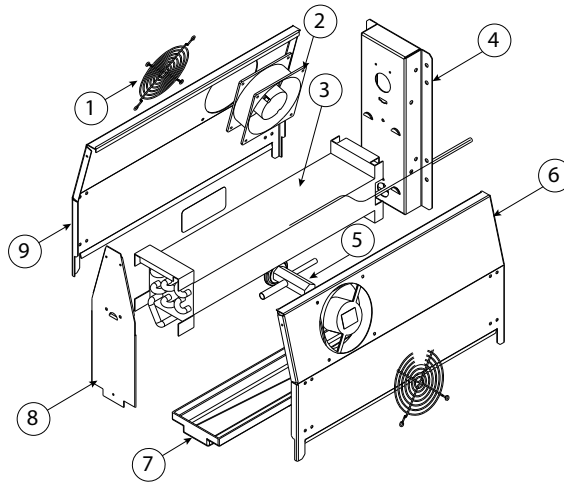
Obsolete 18660PTBM 1/3HP R404A Condensing Unit Assembly



Key	Description	Part Number	Note
	Condensing Unit Assembly, 1/3HP	000-BN5-0037-S	
1	Fan, Axial, 5.5", 120V	2160028	
2	Guard, Fan, 6.0"	2160030	
3	Shroud, Condenser Coil	026-C58-0037-S	
4	Compressor, NF7CLS	3527000	
5	Start Capacitor	2194788	
6	Filter Drier	3516322	
7	Receiver tank	3516658	[L]
8	Pan, Condensate	075-231-0030-S	
9	Condenser Coil	3516454	

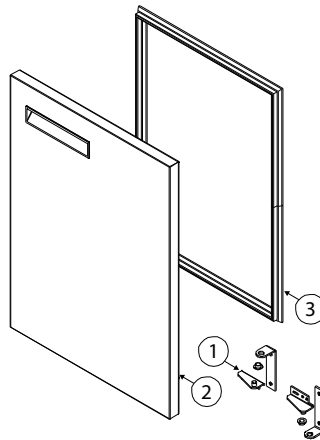
NOTE: [L] Re-piping may be required for installation.

Obsolete 18660PTBM Refrigerator Evaporator Coil Assembly



Key	Description	Part Number	Note
-	Coil Assembly, Ref	000-248-0030-S	
1	Guard, fan, 4.7"	2160024	
2	Fan, axial	2160023	
3	Coil, evaporator	3516095	
4	Back, evaporator, enclosure	030-232-0003-S	
5	Expansion valve, 1/4	3516273	
6	Side, coil, angled, Right	030-233-0001-S	
7	Drip pan, evaporator	075-231-0033-S	
8	Front, coil	030-234-0003-S	
9	Side, coil, angled, Left	030-233-0002-S	
-	Harness, coil	2184317	
-	Probe, Defrost, Thermostat	2194808	
-	Probe, Temp, Sensor	2194809	

Obsolete 18660PTBM Door Assembly Parts



Key	Description	Part Number	Note
1	Hinge Kit	0160179	
2	Door Assembly, Ref, 19X26, LT, 430	000-187-007Y-S	
2	Door Assembly, Ref, 19X26, RT, 430	000-187-007X-S	
2	Door Assembly, Ref, 27X26, LT, 430	000-187-0082-S	
2	Door Assembly, Ref, 27X26, RT, 430	000-187-0081-S	
3	Gasket, Door, 19, Mark7	1701183	
3	Gasket, Door, 27, Mark7	1701185	

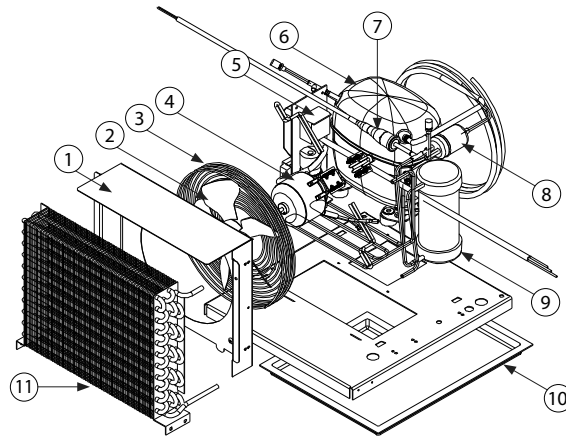
Obsolete 18672PTBM Components

Obsolete 18672PTBM R404A Common Components

R404A replacement parts only. Unit is no longer in production as of 3-30-17.

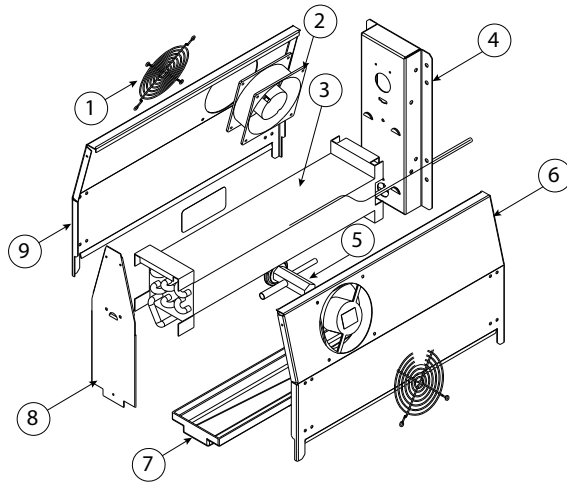
Key	Description	Part Number	Note
	Caster, 5, Plate ,Swivel	3234198	
	Caster, 5, Plate, Swivel, Break	3234199	
	Control, Danfoss, GDM, 115V	RF000083	
	Control, Low Pressure	2193927	
	Cover Assembly, Hinged, 8 Pan, RT	000-402-004U-S	
	Cover Assembly, Hinged, 10 Pan, LT	000-402-004X-S	
	Hinge, Pan Cover, Center	3234392	
	Hinge, Pan Cover, End, LH	3234282	
	Hinge, Pan Cover, End, RH	3234266	
	Panel, Louver, 18.0, PTB	359-478-003D-S	
	Screw, Shelf Support, 1.5"	9321132	
	Shelf, Wire, 27"	3978014	
	Shelf Support, 1"	3234290	
	Switch, Rocker, 20A/125V	2190154	

Obsolete 18672PTBM 1/2HP R404A Mid Temp Condensing Unit Assembly



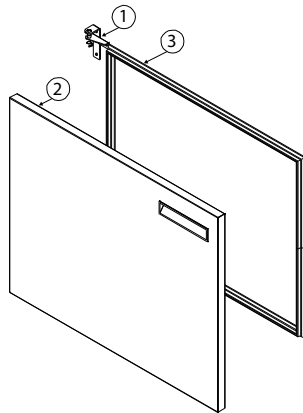
Key	Description	Part Number	Note
-	Assembly, 1/2HP Condenser, Med	000-BN5-0035-S	
1	Shroud	026-C58-0031-S	
2	Condenser fan blade	3516554	
3	Condenser fan guard	2160019	
4	Condenser fan motor, 115V	2162716	
5	Capacitor, start-run assembly	3516462	
6	Compressor, SC12MLX	3527026	
7	Hi pressure switch	3516331	
8	Filter Drier	3516322	
9	Receiver	3516459	Built before 9-9-15
9	Receiver	3516659	Built after 9-9-15
10	Pan, Condensate	039-231-0031-S	
11	Condenser coil	3516455	

Obsolete 18672PTBM Refrigerator Evaporator Coil Assembly



Key	Description	Part Number	Note
-	Coil Assembly, Ref	000-248-0030-S	
1	Guard, fan, 4.7"	2160024	
2	Fan, axial	2160023	
3	Coil, evaporator	3516095	
4	Back, evaporator, enclosure	030-232-0003-S	
5	Expansion valve, 1/4	3516273	
6	Side, coil, angled, Right	030-233-0001-S	
7	Drip pan, evaporator	075-231-0033-S	
8	Front, coil	030-234-0003-S	
9	Side, coil, angled, Left	030-233-0002-S	
-	Harness, coil	2184317	
-	Probe, Defrost, Thermostat	2194808	
-	Probe, Temp, Sensor	2194809	

Obsolete 18672PTBM Door Assembly Parts



Key	Description	Part Number	Note
1	Hinge Kit	0160179	
2	Door Assembly, Ref, 27X26, LT, 430	000-187-0082-S	
2	Door Assembly, Ref, 27X26, RT,430	000-187-0081-S	
3	Gasket, Door, 27, Mark7	1701185	

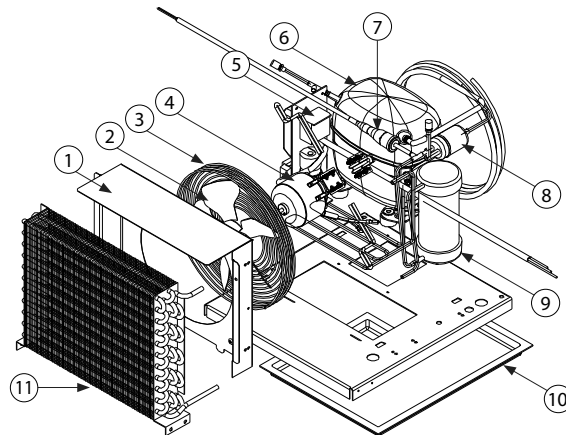
Obsolete 18691PTBM Components

Obsolete 18691PTBM R404A Common Components

R404A replacement parts only. Unit is no longer in production as of 3-30-17.

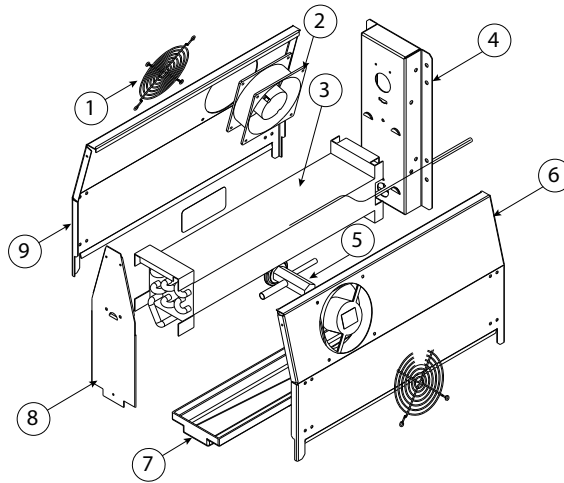
Key	Description	Part Number	Note
	Caster, 5, Plate ,Swivel	3234198	
	Caster, 5, Plate, Swivel, Break	3234199	
	Control, Danfoss, GDM, 115V	RF000083	
	Control, Low Pressure	2193927	
	Cover Assembly, Hinged, 10 Pan, RT	000-402-004Y-S	
	Cover Assembly, Hinged, 12 Pan, LT	000-402-0051-S	
	Hinge, Pan Cover, Center	3234392	
	Hinge, Pan Cover, End, LH	3234282	
	Hinge, Pan Cover, End, RH	3234266	
	Panel, Louver, 18.0, PTB	359-478-003D-S	
	Screw, Shelf Support, 1.5"	9321132	
	Shelf, Wire, 19X32DP	3977984	
	Shelf, Wire, 27"	3978014	
	Shelf Support, 1"	3234290	
	Switch, Rocker, 20A/125V	2190154	

Obsolete 18691PTBM 1/2HP R404A Mid Temp Condensing Unit Assembly



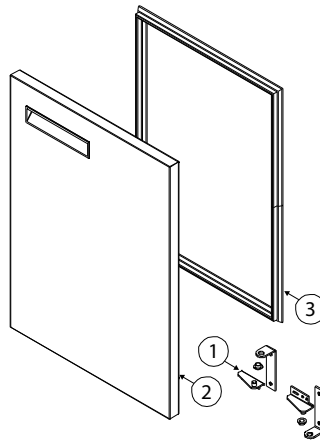
Key	Description	Part Number	Note
-	Assembly, 1/2HP Condenser, Med	000-BN5-0035-S	
1	Shroud	026-C58-0031-S	
2	Condenser fan blade	3516554	
3	Condenser fan guard	2160019	
4	Condenser fan motor, 115V	2162716	
5	Capacitor, start-run assembly	3516462	
6	Compressor, SC12MLX	3527026	
7	Hi pressure switch	3516331	
8	Filter Drier	3516322	
9	Receiver	3516459	Built before 9-9-15
9	Receiver	3516659	Built after 9-9-15
10	Pan, Condensate	039-231-0031-S	
11	Condenser coil	3516455	

Obsolete 18691PTBM Refrigerator Evaporator Coil Assembly



Key	Description	Part Number	Note
-	Coil Assembly, Ref	000-248-0030-S	
1	Guard, fan, 4.7"	2160024	
2	Fan, axial	2160023	
3	Coil, evaporator	3516095	
4	Back, evaporator, enclosure	030-232-0003-S	
5	Expansion valve, 1/4	3516273	
6	Side, coil, angled, Right	030-233-0001-S	
7	Drip pan, evaporator	075-231-0033-S	
8	Front, coil	030-234-0003-S	
9	Side, coil, angled, Left	030-233-0002-S	
-	Harness, coil	2184317	
-	Probe, Defrost, Thermostat	2194808	
-	Probe, Temp, Sensor	2194809	

Obsolete 18691PTBM Door Assembly Parts



Key	Description	Part Number	Note
1	Hinge Kit	0160179	
2	Door Assembly, Ref, 19X26, LT, 430	000-187-007Y-S	
2	Door Assembly, Ref, 19X26, RT, 430	000-187-007X-S	
2	Door Assembly, Ref, 27X26, LT, 430	000-187-0082-S	
2	Door Assembly, Ref, 27X26, RT, 430	000-187-0081-S	
3	Gasket, Door, 19, Mark7	1701183	
3	Gasket, Door, 27, Mark7	1701185	

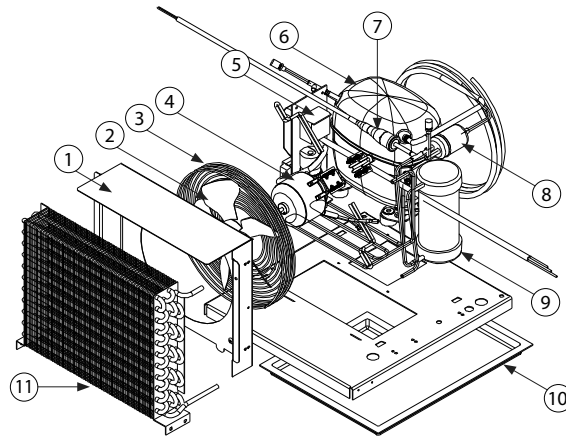
Obsolete 18699PTBM Components

Obsolete 18699PTBM R404A Common Components

R404A replacement parts only. Unit is no longer in production as of 3-30-17.

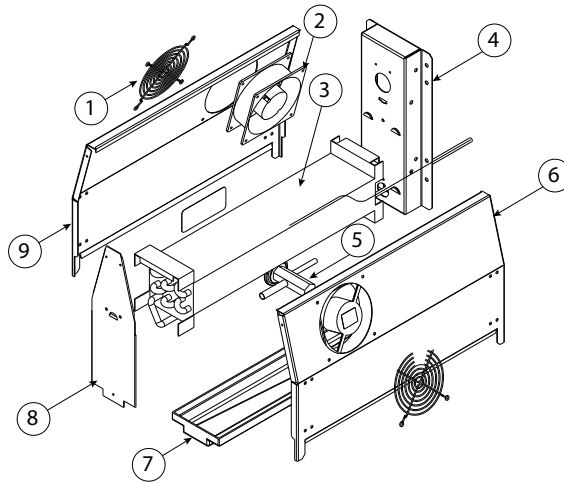
Key	Description	Part Number	Note
	Caster, 5, Plate ,Swivel	3234198	
	Caster, 5, Plate, Swivel, Break	3234199	
	Control, Danfoss, GDM, 115V	RF000083	
	Control, Low Pressure	2193927	
	Cover Assembly, Hinged, 12 Pan, LT	000-402-0051-S	
	Cover Assembly, Hinged, 12 Pan, RT	000-402-0052-S	
	Hinge, Pan Cover, Center	3234392	
	Hinge, Pan Cover, End, LH	3234282	
	Hinge, Pan Cover, End, RH	3234266	
	Panel, Louver, 18.0, PTB	359-478-003D-S	
	Screw, Shelf Support, 1.5"	9321132	
	Shelf, Wire, 27"	3978014	
	Shelf Support, 1"	3234290	
	Switch, Rocker, 20A/125V	2190154	

Obsolete 18699PTBM 1/2HP R404A Mid Temp Condensing Unit Assembly



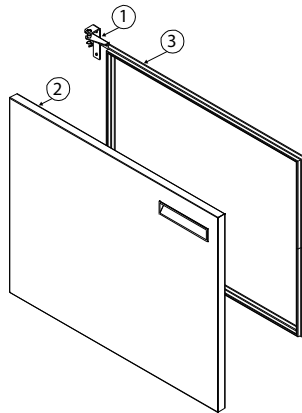
Key	Description	Part Number	Note
-	Assembly, 1/2HP Condenser, Med	000-BN5-0035-S	
1	Shroud	026-C58-0031-S	
2	Condenser fan blade	3516554	
3	Condenser fan guard	2160019	
4	Condenser fan motor, 115V	2162716	
5	Capacitor, start-run assembly	3516462	
6	Compressor, SC12MLX	3527026	
7	Hi pressure switch	3516331	
8	Filter Drier	3516322	
9	Receiver	3516459	Built before 9-9-15
9	Receiver	3516659	Built after 9-9-15
10	Pan, Condensate	039-231-0031-S	
11	Condenser coil	3516455	

Obsolete 18699PTBM Refrigerator Evaporator Coil Assembly



Key	Description	Part Number	Note
-	Coil Assembly, Ref	000-248-0030-S	
1	Guard, fan, 4.7"	2160024	
2	Fan, axial	2160023	
3	Coil, evaporator	3516095	
4	Back, evaporator, enclosure	030-232-0003-S	
5	Expansion valve, 1/4	3516273	
6	Side, coil, angled, Right	030-233-0001-S	
7	Drip pan, evaporator	075-231-0033-S	
8	Front, coil	030-234-0003-S	
9	Side, coil, angled, Left	030-233-0002-S	
-	Harness, coil	2184317	
-	Probe, Defrost, Thermostat	2194808	
-	Probe, Temp, Sensor	2194809	

Obsolete 18699PTBM Door Assembly Parts



Key	Description	Part Number	Note
1	Hinge Kit	0160179	
2	Door Assembly, Ref, 27X26, LT, 430	000-187-0082-S	
2	Door Assembly, Ref, 27X26, RT,430	000-187-0081-S	
3	Gasket, Door, 27, Mark7	1701185	

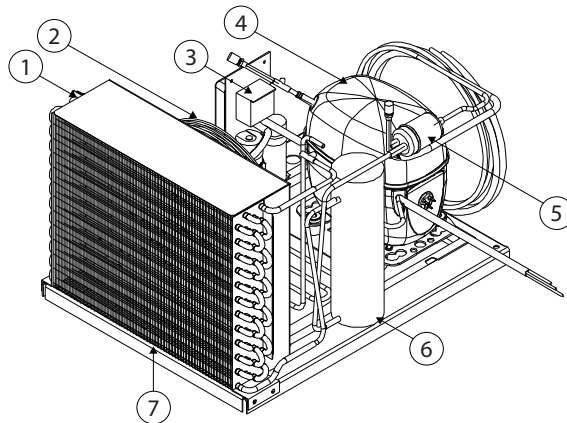
Obsolete 186114PTBM Components

Obsolete 186114PTBM R404A Common Components

R404A replacement parts only. Unit is no longer in production as of 3-30-17.

Key	Description	Part Number	Note
	Caster, 5, Plate ,Swivel	3234198	
	Caster, 5, Plate, Swivel, Break	3234199	
	Control, Danfoss, GDM, 115V	RF000083	
	Control, Dual pressure	2193942	
	Cover Assembly, Hinged, 8 Pan	000-402-004V-S	
	Cover Assembly, Hinged, 10 Pan, LT	000-402-004X-S	
	Cover Assembly, Hinged, 10 Pan, RT	000-402-004Y-S	
	Hinge, Pan Cover, Center	3234392	
	Hinge, Pan Cover, End, LH	3234282	
	Hinge, Pan Cover, End, RH	3234266	
	Panel, Louver, 18.0, PTB	359-478-003D-S	
	Screw, Shelf Support, 1.5"	9321132	
	Shelf, Wire, 32X32 DP	3977983	
	Shelf Support, 1"	3234290	
	Switch, Rocker, 20A/125V	2190154	

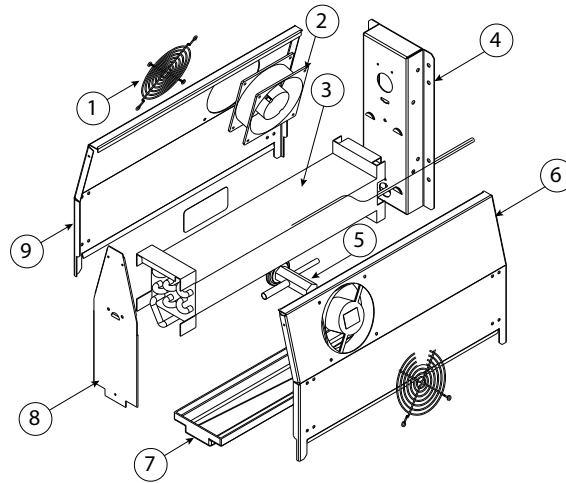
Obsolete 186114PTBM 3/4HP R404A Mid Temp Condensing Unit Assembly



Key	Description	Part Number	Note
-	Assembly, 3/4 HP Condenser, Med	000-BN5-0036-S	
1	Shroud	026-C58-0032-S	
2	Guard, Fan, Wire	2160019	
3	Capacitor, Start, Run, Assembly	3516442	
4	Compressor, 3/4 HP Med	3527021	
5	Drier, Filter, (2)Inlet	3516322	
6	Receiver Tank	3516657	[L]
7	Coil, Condenser, 3/4 HP	3516456	
-	Blade, Fan, 25Deg, 10", CW	3516433	
-	Motor, Fan, 16W, 115V, CW	2162716	
-	Pan, Condensate, Sm	075-231-0031-S	

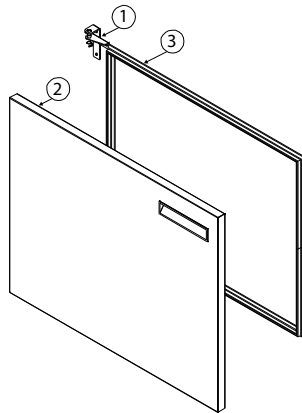
NOTE: [L] Re-piping may be required for installation.

Obsolete 186114PTBM Refrigerator Evaporator Coil Assembly



Key	Description	Part Number	Note
-	Coil Assembly, Ref	000-248-0030-S	
1	Guard, fan, 4.7"	2160024	
2	Fan, axial	2160023	
3	Coil, evaporator	3516095	
4	Back, evaporator, enclosure	030-232-0003-S	
5	Expansion valve, 1/4	3516273	
6	Side, coil, angled, Right	030-233-0001-S	
7	Drip pan, evaporator	075-231-0033-S	
8	Front, coil	030-234-0003-S	
9	Side, coil, angled, Left	030-233-0002-S	
-	Harness, coil	2184317	
-	Probe, Defrost, Thermostat	2194808	
-	Probe, Temp, Sensor	2194809	

Obsolete 186114PTBM Door Assembly Parts



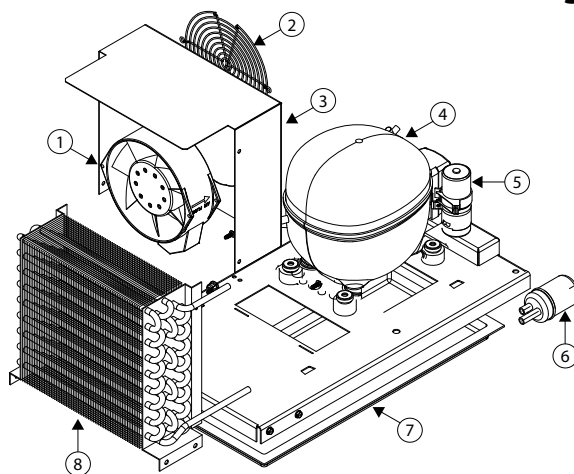
Key	Description	Part Number	Note
1	Hinge Kit	0160179	
2	Door Assembly, Ref, 32X26, LT, 430	000-187-0084-S	
2	Door Assembly, Ref, 32X26, RT, 430	000-187-0083-S	
3	32" Door Gasket	1701186	

18648PTB-E Common Components

18648PTB-E Common Components

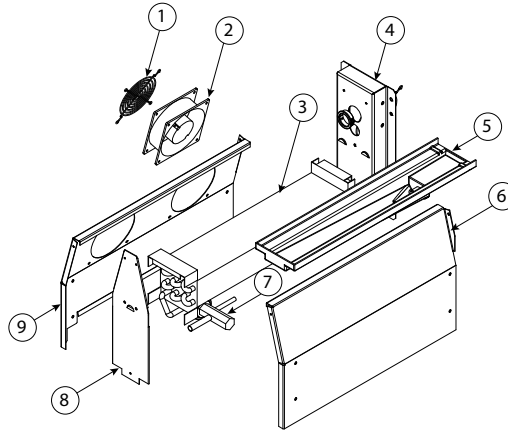
Key	Description	Part Number	Note
	Caster, 5, Plate ,Swivel	3234198	
	Caster, 5, Plate, Swivel, Break	3234199	
	Control, Danfoss, 220V, Ref, ETC1H-1	RF000090	
	Cover Assembly, Hinged, 12 Pan	000-402-0050-S	
	Hinge, Pan Cover, Center	3234392	
	Hinge, Pan Cover, End, LH	3234282	
	Hinge, Pan Cover, End, RH	3234266	
	Low Pressure Control	MCP00145	
	Panel, Louver, 15.0, PTB	359-478-003E-S	
	Screw, Shelf Support, 1.5"	9321132	
	Shelf, Wire, 27"	3978014	
	Shelf Support, 1"	3234290	
	Switch, Rocker, 20A/125V,	2194400	

18648PTB-E 220V/50Hz 1/4HP R404A Condensing Unit Assembly



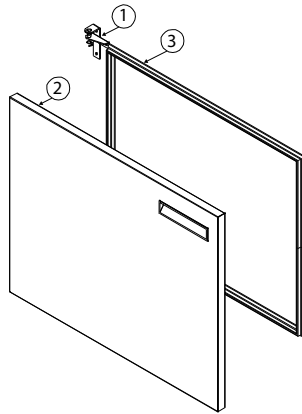
Key	Description	Part Number	Note
-	Condensing Unit Assembly, 1/4HP	000-BN5-003J-S	
1	Fan, Axial, 5.5", 230V	2160029	
2	Guard, Fan, 6.0"	2160030	
3	Shroud, Condenser Coil	026-C58-0037-S	
4	Compressor, NL7CLX, 220V/50Hz	3527013	
5	Start Capacitor	2194821	
5	Comp, Relay, Overload, NF5.5CLX	2194820	
6	Filter Dryer	3516322	
7	Condensate Pan	039-231-0030-S	
8	Condenser Coil	3516454	

18648PTB-E 220V R404A Fans Left Evaporator Coil Assembly



Key	Description	Part Number	Note
-	Coil Assembly, R404A, 220V, Ref, Fan Lt	000-248-003D-S	
1	Guard, fan, 4.7"	2160024	
2	Fan, axial, 230V	2160025	
3	Coil, evaporator	3516095	
4	Back, evaporator, enclosure	030-232-0003-S	
5	Drip pan, evaporator	000-BNH-0030-S	
6	Side, coil, angled, Rt, Blank	030-233-0038-S	
7	Expansion valve, 1/4, R-404a	MCP00140	
8	Front, coil	030-234-0003-S	
9	Side, Coil, Angled, Lt, 2Fan	030-233-0039-S	
-	Harness, coil	2184317	
-	Probe, Defrost, Danfoss, Control	2194808	
-	Probe, Temp, Sensor, Danfoss	2194809	

18648PTB-E Door Assembly Parts



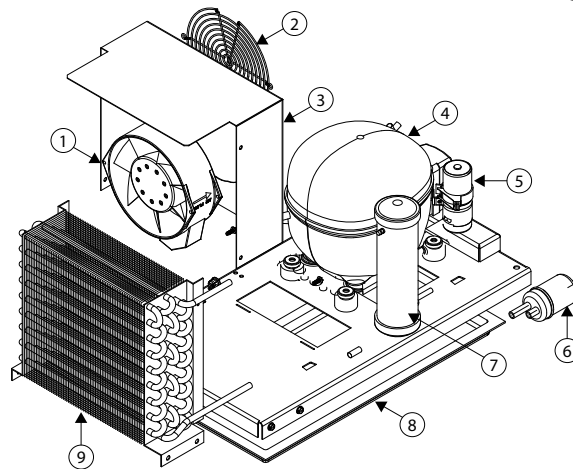
Key	Description	Part Number	Note
1	Hinge Kit	0160179	
2	Door Assembly, Ref, 27X26, LT, 430	000-187-0082-S	
2	Door Assembly, Ref, 27X26, RT,430	000-187-0081-S	
3	Gasket, Door, 27, Mark7	1701185	

18660PTB-E Components

18660PTB-E Common Components

Key	Description	Part Number	Note
	Caster, 5, Plate ,Swivel	3234198	
	Caster, 5, Plate, Swivel, Break	3234199	
	Control, Danfoss, 220V, Ref, ETC1H-1	RF000090	
	Cover Assembly, Hinged, 6 Pan, RT	000-402-004Q-S	
	Hinge, Pan Cover, Center	3234392	
	Hinge, Pan Cover, End, LH	3234282	
	Hinge, Pan Cover, End, RH	3234266	
	Low Pressure Control	MCP00145	
	Panel, Louver, 14.0, PTB	359-478-003C-S	
	Screw, Shelf Support, 1.5"	9321132	
	Shelf, Wire, 19X32DP	3977984	
	Shelf, Wire, 27"	3978014	
	Shelf Support, 1"	3234290	
	Switch, Rocker, 20A/125V,	2194400	

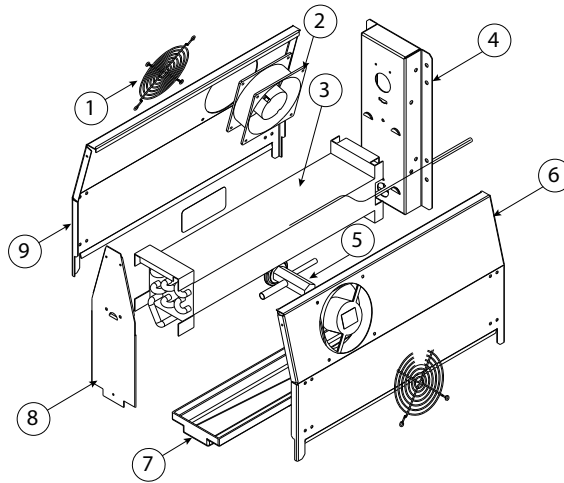
18660PTB-E 220V/50Hz 1/3HP, R404A Condensing Unit Assembly



Key	Description	Part Number	Note
-	Condensing Unit Assembly, 1/3HP	000-BN5-003M-S	
1	Fan, Axial, 5.5", 230V	2160029	
2	Guard, Fan, 6.0"	2160030	
3	Shroud, Condenser Coil	026-C58-0037-S	
4	Compress, NL8.4CLX, 220V, 50Hz	3527012	
6	Filter Drier	3516322	
7	Receiver tank	3516658	[L]
8	Pan, Condensate	039-231-0030-S	
9	Condenser Coil	3516454	
-	Hi Pressure Cutout	3516324	

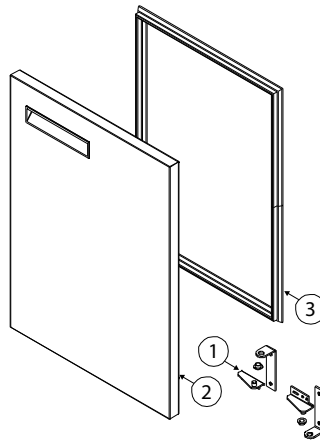
NOTE: [L] Re-piping may be required for installation.

18660PTB-E 220V R404A Refrigerator Evaporator Coil Assembly



Key	Description	Part Number	Note
-	Coil Assembly, R404A, Ref	000-248-0033-S	
1	Guard, fan, 4.7"	2160024	
2	Fan, axial, 230V	2160025	
3	Coil, evaporator	3516095	
4	Back, evaporator, enclosure	030-232-0003-S	
5	Expansion valve, 1/4, R-404a	MCP00140	
6	Side, coil, angled, Rt	030-233-0001-S	
7	Drip pan, evaporator	000-BNH-0030-S	
8	Front, coil	030-234-0003-S	
9	Side, coil, angled, Lt	030-233-0002-S	
-	Harness, coil	2184317	
-	Probe, Defrost, Danfoss, Control	2194808	
-	Probe, Temp, Sensor, Danfoss	2194809	

18660PTB-E Door Assembly Parts



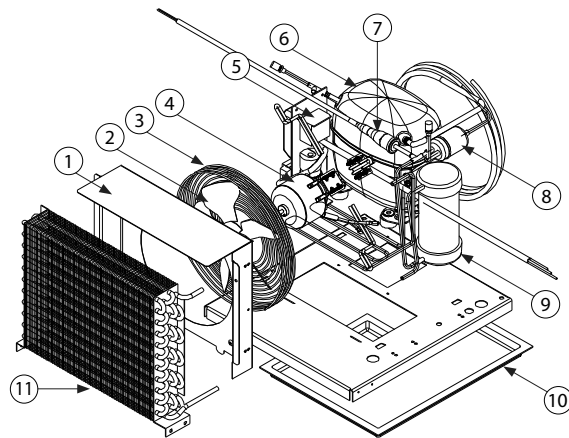
Key	Description	Part Number	Note
1	Hinge Kit	0160179	
2	Door Assembly, Ref, 19X26, LT, 430	000-187-007Y-S	
2	Door Assembly, Ref, 19X26, RT, 430	000-187-007X-S	
2	Door Assembly, Ref, 27X26, LT, 430	000-187-0082-S	
2	Door Assembly, Ref, 27X26, RT, 430	000-187-0081-S	
3	Gasket, Door, 19, Mark7	1701183	
3	Gasket, Door, 27, Mark7	1701185	

18672PTB-E Components

18672PTB-E Common Components

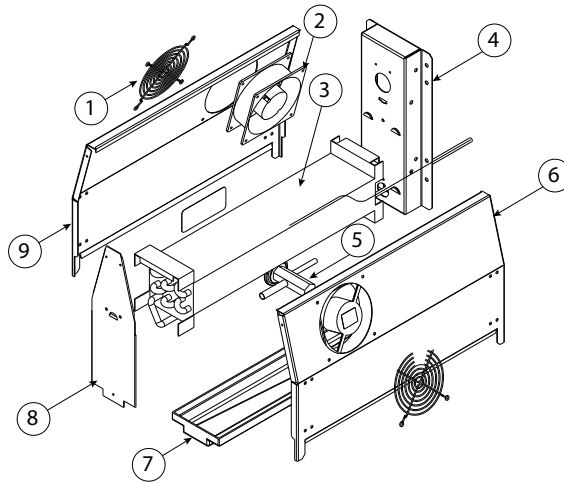
Key	Description	Part Number	Note
	Caster, 5, Plate ,Swivel	3234198	
	Caster, 5, Plate, Swivel, Break	3234199	
	Control, Danfoss, 220V, Ref, ETC1H-1	RF000090	
	Cover Assembly, Hinged, 8 Pan, RT	000-402-004U-S	
	Cover Assembly, Hinged, 10 Pan, LT	000-402-004X-S	
	Hinge, Pan Cover, Center	3234392	
	Hinge, Pan Cover, End, LH	3234282	
	Hinge, Pan Cover, End, RH	3234266	
	Low Pressure Control	MCP00145	
	Panel, Louver, 18.0, PTB	359-478-003D-S	
	Screw, Shelf Support, 1.5"	9321132	
	Shelf, Wire, 27"	3978014	
	Shelf Support, 1"	3234290	
	Switch, Rocker, 20A/125V,	2194400	

18672PTB-E 220V/50Hz 1/2HP R404A Mid Temp Condensing Unit Assembly



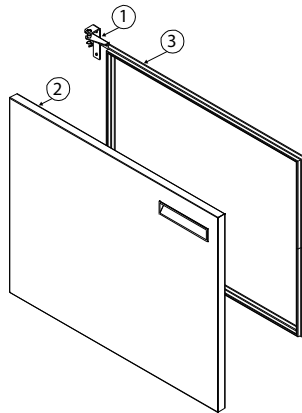
Key	Description	Part Number	Note
-	Assembly, 1/2HP Condenser, Med	000-BN5-003O-S	
1	Shroud	026-C58-0031-S	
2	Condenser fan blade	3516554	
3	Condenser fan guard	2160019	
4	Condenser fan motor, 230V	2162721	
6	Compressor, SC12MLX, 220/50	3527045	
7	Hi pressure switch	3516331	
8	Filter Drier	3516322	
9	Receiver, used on models	3516459	Built before 9-9-15
9	Receiver, used on models	3516659	Built after 9-9-15
10	Pan, Condensate	039-231-0031-S	
11	Condenser coil	3516455	

18672PTB-E 220V R404A Refrigerator Evaporator Coil Assembly



Key	Description	Part Number	Note
-	Coil Assembly, R404A, Ref	000-248-0033-S	
1	Guard, fan, 4.7"	2160024	
2	Fan, axial, 230V	2160025	
3	Coil, evaporator	3516095	
4	Back, evaporator, enclosure	030-232-0003-S	
5	Expansion valve, 1/4, R-404a	MCP00140	
6	Side, coil, angled, Rt	030-233-0001-S	
7	Drip pan, evaporator	000-BNH-0030-S	
8	Front, coil	030-234-0003-S	
9	Side, coil, angled, Lt	030-233-0002-S	
-	Harness, coil	2184317	
-	Probe, Defrost, Danfoss, Control	2194808	
-	Probe, Temp, Sensor, Danfoss	2194809	

18672PTB-E Door Assembly Parts



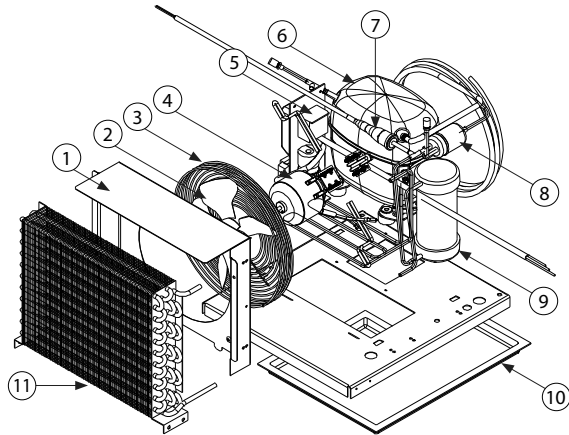
Key	Description	Part Number	Note
1	Hinge Kit	0160179	
2	Door Assembly, Ref, 27X26, LT, 430	000-187-0082-S	
2	Door Assembly, Ref, 27X26, RT,430	000-187-0081-S	
3	Gasket, Door, 27, Mark7	1701185	

18691PTB-E Components

18691PTB-E Common Components

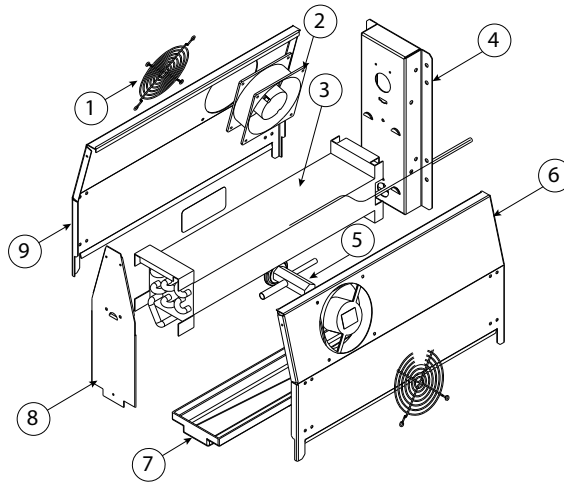
Key	Description	Part Number	Note
	Caster, 5, Plate ,Swivel	3234198	
	Caster, 5, Plate, Swivel, Break	3234199	
	Control, Danfoss, 220V, Ref, ETC1H-1	RF000090	
	Cover Assembly, Hinged, 10 Pan, RT	000-402-004Y-S	
	Cover Assembly, Hinged, 12 Pan, LT	000-402-0051-S	
	Hinge, Pan Cover, Center	3234392	
	Hinge, Pan Cover, End, LH	3234282	
	Hinge, Pan Cover, End, RH	3234266	
	Low Pressure Control	MCP00145	
	Panel, Louver, 18.0, PTB	359-478-003D-S	
	Screw, Shelf Support, 1.5"	9321132	
	Shelf, Wire, 19X32DP	3977984	
	Shelf, Wire, 27"	3978014	
	Shelf Support, 1"	3234290	
	Switch, Rocker, 20A/125V,	2194400	

18691PTB-E 220V/50Hz 1/2HP R404A Mid Temp Condensing Unit Assembly



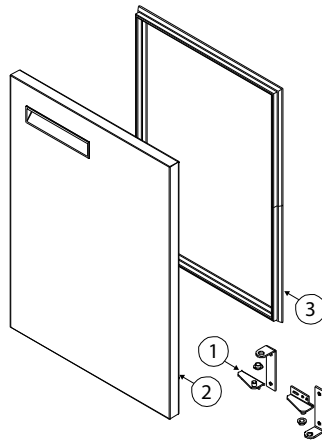
Key	Description	Part Number	Note
-	Assembly, 1/2HP Condenser, Med	000-BN5-003O-S	
1	Shroud	026-C58-0031-S	
2	Condenser fan blade	3516554	
3	Condenser fan guard	2160019	
4	Condenser fan motor, 230V	2162721	
6	Compressor, SC12MLX, 220/50	3527045	
7	Hi pressure switch	3516331	
8	Filter Drier	3516322	
9	Receiver, used on models	3516459	Built before 9-9-15
9	Receiver, used on models	3516659	Built after 9-9-15
10	Pan, Condensate	039-231-0031-S	
11	Condenser coil	3516455	

18691PTB-E 220V R404A Refrigerator Evaporator Coil Assembly



Key	Description	Part Number	Note
-	Coil Assembly, R404A, Ref	000-248-0033-S	
1	Guard, fan, 4.7"	2160024	
2	Fan, axial, 230V	2160025	
3	Coil, evaporator	3516095	
4	Back, evaporator, enclosure	030-232-0003-S	
5	Expansion valve, 1/4, R-404a	MCP00140	
6	Side, coil, angled, Rt	030-233-0001-S	
7	Drip pan, evaporator	000-BNH-0030-S	
8	Front, coil	030-234-0003-S	
9	Side, coil, angled, Lt	030-233-0002-S	
-	Harness, coil	2184317	
-	Probe, Defrost, Danfoss, Control	2194808	
-	Probe, Temp, Sensor, Danfoss	2194809	

18691PTB-E Door Assembly Parts



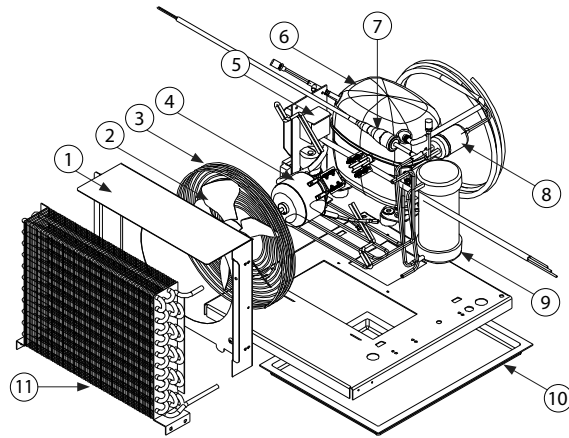
Key	Description	Part Number	Note
1	Hinge Kit	0160179	
2	Door Assembly, Ref, 19X26, LT, 430	000-187-007Y-S	
2	Door Assembly, Ref, 19X26, RT, 430	000-187-007X-S	
2	Door Assembly, Ref, 27X26, LT, 430	000-187-0082-S	
2	Door Assembly, Ref, 27X26, RT, 430	000-187-0081-S	
3	Gasket, Door, 19, Mark7	1701183	
3	Gasket, Door, 27, Mark7	1701185	

18699PTB-E Components

18699PTB-E Common Components

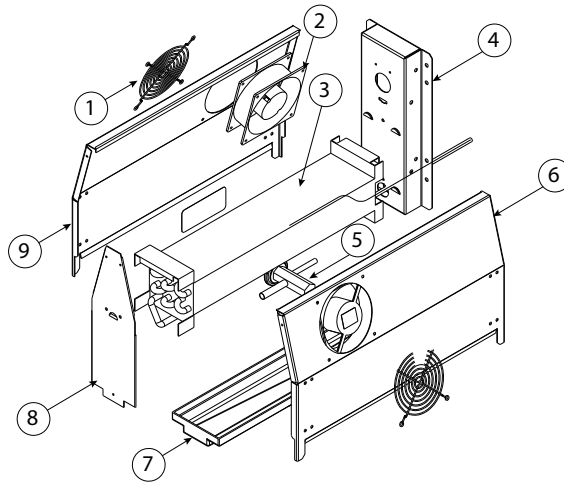
Key	Description	Part Number	Note
	Caster, 5, Plate ,Swivel	3234198	
	Caster, 5, Plate, Swivel, Break	3234199	
	Control, Danfoss, 220V, Ref, ETC1H-1	RF000090	
	Cover Assembly, Hinged, 12 Pan, LT	000-402-0051-S	
	Cover Assembly, Hinged, 12 Pan, RT	000-402-0052-S	
	Hinge, Pan Cover, Center	3234392	
	Hinge, Pan Cover, End, LH	3234282	
	Hinge, Pan Cover, End, RH	3234266	
	Low Pressure Control	MCP00145	
	Panel, Louver, 18.0, PTB	359-478-003D-S	
	Screw, Shelf Support, 1.5"	9321132	
	Shelf, Wire, 27"	3978014	
	Shelf Support, 1"	3234290	
	Switch, Rocker, 20A/125V,	2194400	

18699PTB-E 220V/50Hz 1/2HP R404A Mid Temp Condensing Unit Assembly



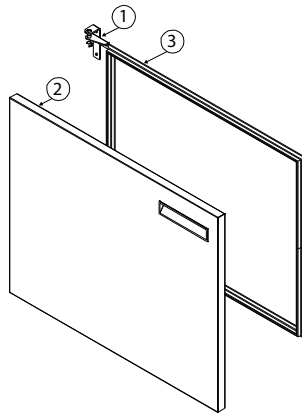
Key	Description	Part Number	Note
-	Assembly, 1/2HP Condenser, Med	000-BN5-003O-S	
1	Shroud	026-C58-0031-S	
2	Condenser fan blade	3516554	
3	Condenser fan guard	2160019	
4	Condenser fan motor, 230V	2162721	
6	Compressor, SC12MLX, 220/50	3527045	
7	Hi pressure switch	3516331	
8	Filter Drier	3516322	
9	Receiver, used on models	3516459	Built before 9-9-15
9	Receiver, used on models	3516659	Built after 9-9-15
10	Pan, Condensate	039-231-0031-S	
11	Condenser coil	3516455	

18699PTB-E 220V R404A Refrigerator Evaporator Coil Assembly



Key	Description	Part Number	Note
-	Coil Assembly, R404A, Ref	000-248-0033-S	
1	Guard, fan, 4.7"	2160024	
2	Fan, axial, 230V	2160025	
3	Coil, evaporator	3516095	
4	Back, evaporator, enclosure	030-232-0003-S	
5	Expansion valve, 1/4, R-404a	MCP00140	
6	Side, coil, angled, Rt	030-233-0001-S	
7	Drip pan, evaporator	000-BNH-0030-S	
8	Front, coil	030-234-0003-S	
9	Side, coil, angled, Lt	030-233-0002-S	
-	Harness, coil	2184317	
-	Probe, Defrost, Danfoss, Control	2194808	
-	Probe, Temp, Sensor, Danfoss	2194809	

18699PTB-E Door Assembly Parts



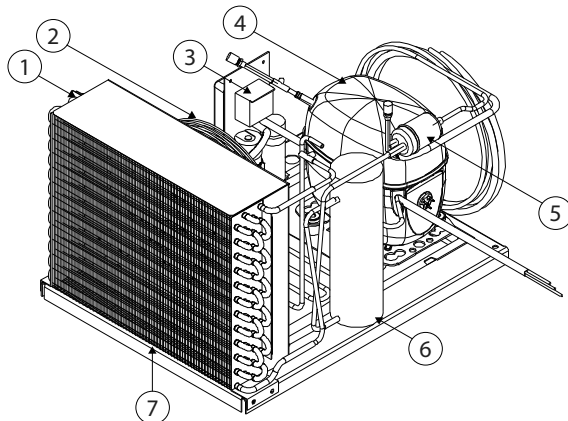
Key	Description	Part Number	Note
1	Hinge Kit	0160179	
2	Door Assembly, Ref, 27X26, LT, 430	000-187-0082-S	
2	Door Assembly, Ref, 27X26, RT,430	000-187-0081-S	
3	Gasket, Door, 27, Mark7	1701185	

186114PTB-E Components

186114PTB-E Common Components

Key	Description	Part Number	Note
	Caster, 5, Plate ,Swivel	3234198	
	Caster, 5, Plate, Swivel, Break	3234199	
	Control, Danfoss, 220V, Ref, ETC1H-1	RF000090	
	Cover Assembly, Hinged, 8 Pan	000-402-004V-S	
	Cover Assembly, Hinged, 10 Pan, LT	000-402-004X-S	
	Cover Assembly, Hinged, 10 Pan, RT	000-402-004Y-S	
	Hinge, Pan Cover, Center	3234392	
	Hinge, Pan Cover, End, LH	3234282	
	Hinge, Pan Cover, End, RH	3234266	
	Low Pressure Control	MCP00145	
	Panel, Louver, 18.0, PTB	359-478-003D-S	
	Screw, Shelf Support, 1.5"	9321132	
	Shelf, Wire, 32X32 DP	3977983	
	Shelf Support, 1"	3234290	
	Switch, Rocker, 20A/125V,	2194400	

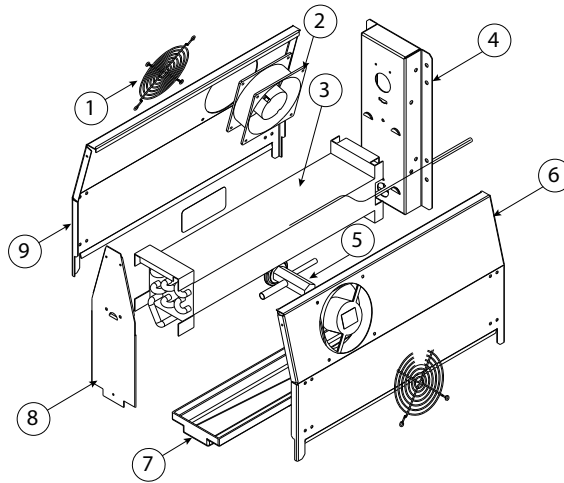
186114PTB-E 220V/50Hz 3/4HP R404A Mid Temp Condensing Unit Assembly



Key	Description	Part Number	Note
-	Assembly, 3/4 HP Condenser, Med	000-BN5-003Q-S	
1	Shroud	026-C58-003A-S	
2	Guard, Fan, Wire	2160019	
4	Compressor, 3/4 HP Med, 220V/50Hz	3527022	
5	Drier, Filter, (2)Inlet	3516322	
6	Receiver Tank	3516657	[L]
7	Coil, Condenser, 3/4 HP	3516456	
-	Blade, Fan, 25Deg, 10", CW	3516433	
-	Hi Pressure Switch	3516331	
-	Motor, Fan, 16W, 230V	2162721	
-	Pan, Condensate, Sm	039-231-0031-S	

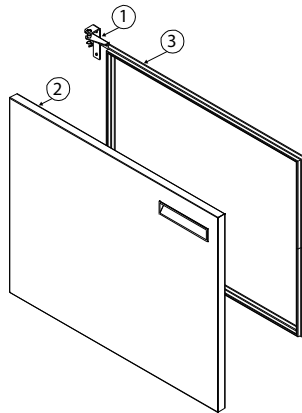
NOTE: [L] Re-piping may be required for installation.

186114PTB-E 220V R404A Refrigerator Evaporator Coil Assembly



Key	Description	Part Number	Note
-	Coil Assembly, R404A, Ref	000-248-0033-S	
1	Guard, fan, 4.7"	2160024	
2	Fan, axial, 230V	2160025	
3	Coil, evaporator	3516095	
4	Back, evaporator, enclosure	030-232-0003-S	
5	Expansion valve, 1/4, R-404a	MCP00140	
6	Side, coil, angled, Rt	030-233-0001-S	
7	Drip pan, evaporator	000-BNH-0030-S	
8	Front, coil	030-234-0003-S	
9	Side, coil, angled, Lt	030-233-0002-S	
-	Harness, coil	2184317	
-	Probe, Defrost, Danfoss, Control	2194808	
-	Probe, Temp, Sensor, Danfoss	2194809	

186114PTB-E Door Assembly Parts



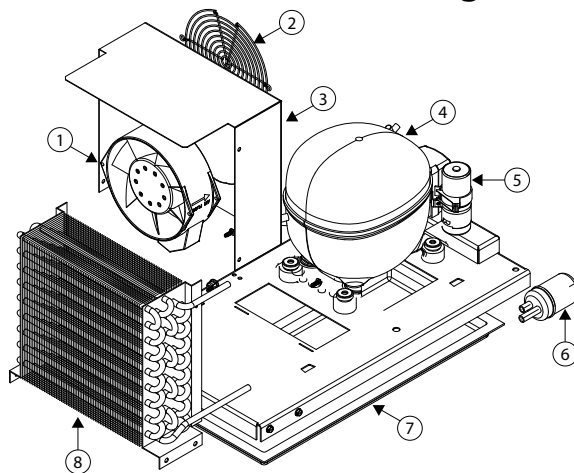
Key	Description	Part Number	Note
1	Hinge Kit	0160179	
2	Door Assembly, Ref, 32X26, LT, 430	000-187-0084-S	
2	Door Assembly, Ref, 32X26, RT, 430	000-187-0083-S	
3	32" Door Gasket	1701186	

18648PTLV Components

18648PTLV Common Components

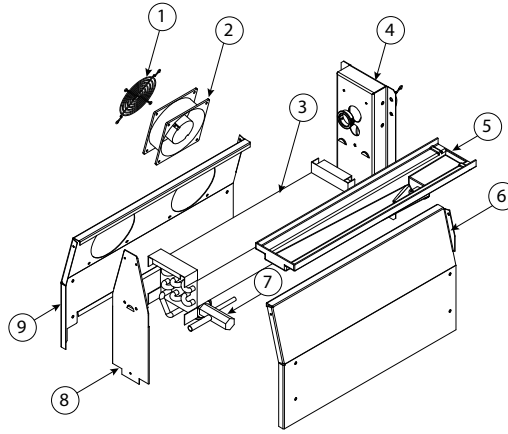
Key	Description	Part Number	Note
	Appliance Switch	2198717	
	Bracket, Cutting Board, LH	269-110-0034-S	
	Bracket, Cutting Board, RF	269-110-0036-S	
	Caster, 5, Plate, Swivel	3234198	
	Caster, 5, Plate, Swivel, Brake	3234199	
	Coil, Solenoid, 120V	3516053	
	Control Assembly, Lt, MK7	000-CZ0-0058KT-S	
	Control Assembly, Refg, Double HookUp,	000-CZ0-0059KT-S	
	Control, Low Pressure	2193927	
	Cover Assembly, Hinged, 12 Pan, PTL	000-402-0055-S	
	Hinge, Pan Cover, End, LH	3234282	
	Hinge, Pan Cover, End, RH	3234266	
	Screw, Shelf Support, 1.5"	9321132	
	Shelf, Wire, 27"	3978014	
	Shelf Support, 1"	3234290	
	Valve, Expansion, Freezer, 1/4Ton	3516225	
	Valve, Solenoid, 1/4ODF	3516102	

18648PTLV 1/4HP R404A Condensing Unit Assembly



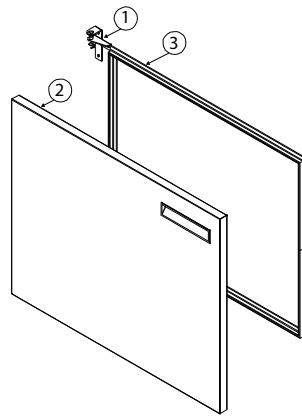
Key	Description	Part Number	Note
-	Assembly, 1/4 HP Condensing Unit	000-BN5-006O-S	
1	Fan, Blade	3516480	
1	Fan, Motor	2162757	
2	Guard, Fan	2160020	
3	Shroud, Condenser Coil	026-C58-0030-S	
4	Compressor, Danfoss, NF5.5CLX	3526999	
5	Start Capacitor	2194787	
5	Comp, Relay, Overload, NF5.5CLX	3516444	
6	Filter Dryer	3516322	
7	Condensate Pan	039-231-0030-S	
8	Condenser Coil	3516454	

18648PTLV Fans Left Refrigerator Evaporator Coil Assembly



Key	Description	Part Number	Note
-	Coil Assembly, Ref, Fan Lt	000-248-003L-S	
1	Guard, fan, 4.7"	2160024	
2	Fan, axial	2160045	
3	Coil, evaporator	3516095	
4	Back, evaporator, enclosure	030-232-0003-S	
5	Drip pan, evaporator	000-BNH-0030-S	
6	Side, coil, angled, Rt, Blank	030-233-0038-S	
7	Expansion valve, 1/4	3516273	
8	Front, coil	030-234-0003-S	
9	Side, Coil, Angled, Lt, 2Fan	030-233-0039-S	
-	Harness, coil	2184317	
-	Probe, Defrost, Thermostat	2194808	
-	Probe, Temp, Sensor	2194809	

18648PTLV Door Assembly Parts



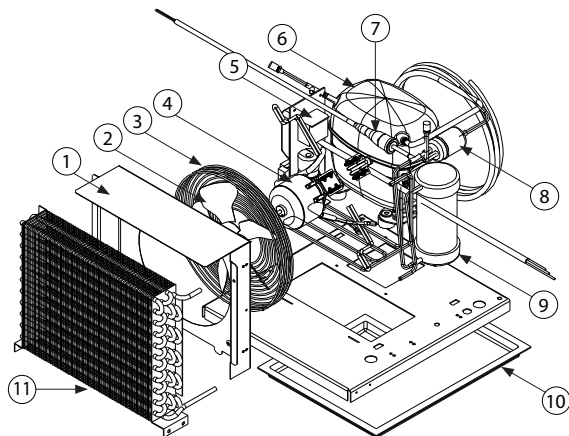
Key	Description	Part Number	Note
1	Hinge Kit	0160179	
2	Door Assembly, Ref, 27X26, LT, 430	000-187-0082-S	
2	Door Assembly, Ref, 27X26, RT,430	000-187-0081-S	
3	Gasket, Door, 27, Mark7	1701185	

18672PTLV Components

18672PTLV Common Components

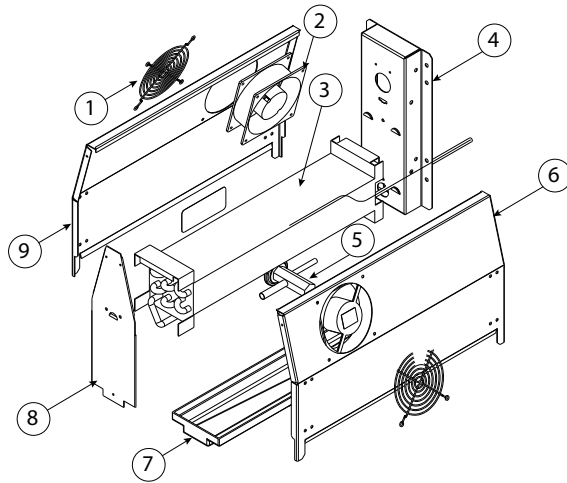
Key	Description	Part Number	Note
	Appliance Switch	2198717	
	Bracket, Cutting Board, Center	269-ASB-0030-S	
	Bracket, Cutting Board, LH	269-110-0034-S	
	Bracket, Cutting Board, RF	269-110-0036-S	
	Caster, 5, Plate, Swivel	3234198	
	Caster, 5, Plate, Swivel, Brake	3234199	
	Coil, Solenoid, 120V	3516053	
	Control Assembly, Lt, MK7	000-CZ0-0058KT-S	
	Control Assembly, Refg, Double HookUp	000-CZ0-0059KT-S	
	Control, Low Pressure	2193927	
	Cover Assembly, Hinged, 6 Pan, PTL	000-402-0054-S	
	Cover Assembly, Hinged, 12 Pan, PTL	000-402-0055-S	
	Hinge, Pan Cover, Center	3234392	
	Hinge, Pan Cover, End, LH	3234282	
	Hinge, Pan Cover, End, RH	3234266	
	Screw, Shelf Support, 1.5"	9321132	
	Shelf, Wire, 27"	3978014	
	Shelf Support, 1"	3234290	
	Valve, Expansion, Freezer, 1/4Ton	3516225	
	Valve, Solenoid, 1/4ODF	3516102	

18672PTLV 1/2HP R404A Mid Temp Condensing Unit Assembly



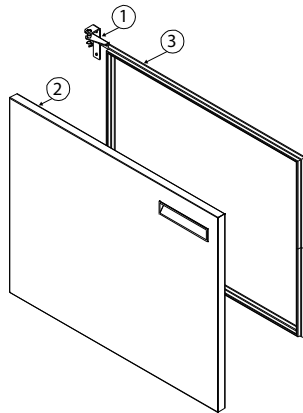
Key	Description	Part Number	Note
-	Assembly, 1/2HP Condenser, Med	000-BN5-0077-S	
1	Shroud	026-C58-0031-S	
2	Condenser fan blade	3516554	
3	Condenser fan guard	2160019	
4	Condenser fan motor, 115V	2162750	
5	Capacitor, start-run assembly	3516462	
6	Compressor, SC12MLX	3527026	
7	Hi pressure switch	3516331	
8	Filter Drier	3516322	
9	Receiver	3516659	
10	Pan, Condensate	039-231-0031-S	
11	Condenser coil	3516455	

18672PTLV Refrigerator Evaporator Coil Assembly



Key	Description	Part Number	Note
-	Coil Assembly, Ref	000-248-003i-S	
1	Guard, fan, 4.7"	2160024	
2	Fan, axial	2160045	
3	Coil, evaporator	3516095	
4	Back, evaporator, enclosure	030-232-0003-S	
5	Expansion valve, 1/4	3516273	
6	Side, coil, angled, Right	030-233-0001-S	
7	Drip pan, evaporator	000-BNH-0030-S	
8	Front, coil	030-234-0003-S	
9	Side, coil, angled, Left	030-233-0002-S	
-	Harness, coil	2184317	
-	Probe, Defrost, Thermostat	2194808	
-	Probe, Temp, Sensor	2194809	

18672PTLV Door Assembly Parts



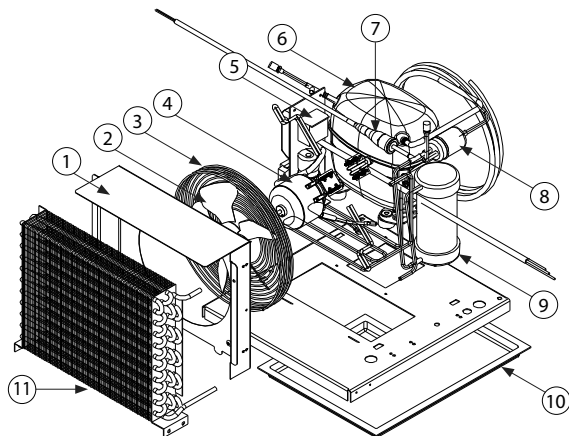
Key	Description	Part Number	Note
1	Hinge Kit	0160179	
2	Door Assembly, Ref, 27X26, LT, 430	000-187-0082-S	
2	Door Assembly, Ref, 27X26, RT,430	000-187-0081-S	
3	Gasket, Door, 27, Mark7	1701185	

18699PTLV Components

18699PTLV Common Components

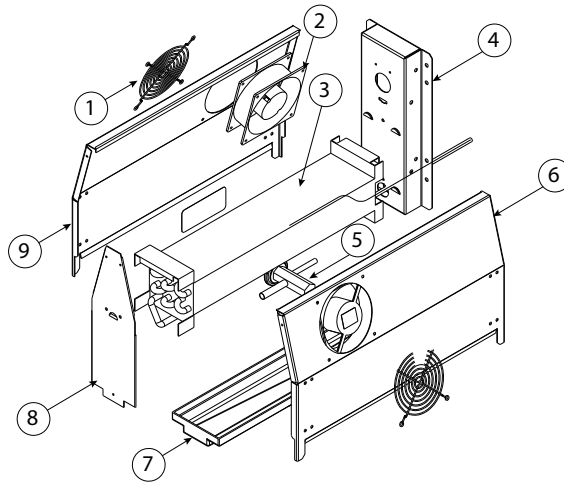
Key	Description	Part Number	Note
	Appliance Switch	2198717	
	Bracket, Cutting Board, Center	269-ASB-0030-S	
	Bracket, Cutting Board, LH	269-110-0034-S	
	Bracket, Cutting Board, RF	269-110-0036-S	
	Caster, 5, Plate, Swivel	3234198	
	Caster, 5, Plate, Swivel, Brake	3234199	
	Coil, Solenoid, 120V	3516053	
	Control Assembly, Lt, MK7	000-CZ0-0058KT-S	
	Control Assembly, Refg, Double HookUp	000-CZ0-0059KT-S	Built before 12-1-17
	Control Assembly, Refg, Double HookUp, Dual Defrost	000-CZ0-0084-S	Built after 12-1-17
	Control, Low Pressure	2193927	
	Cover Assembly, Hinged, 12 Pan, PTL	000-402-0055-S	
	Hinge, Pan Cover, Center	3234392	
	Hinge, Pan Cover, End, LH	3234282	
	Hinge, Pan Cover, End, RH	3234266	
	Screw, Shelf Support, 1.5"	9321132	
	Shelf, Wire, 27"	3978014	
	Shelf Support, 1"	3234290	
	Valve, Expansion, Freezer, 1/4Ton	3516225	
	Valve, Solenoid, 1/4ODF	3516102	

18699PTLV 1/2HP R404A Mid Temp Condensing Unit Assembly



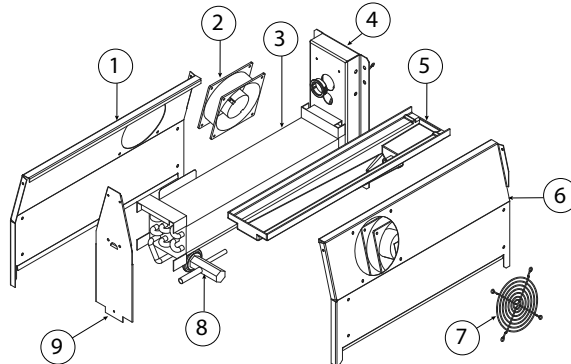
Key	Description	Part Number	Note
-	Assembly, 1/2HP Condenser, Med	000-BN5-0077-S	
1	Shroud	026-C58-0031-S	
2	Condenser fan blade	3516554	
3	Condenser fan guard	2160019	
4	Condenser fan motor, 115V	2162750	
5	Capacitor, start-run assembly	3516462	
6	Compressor, SC12MLX	3527026	
7	Hi pressure switch	3516331	
8	Filter Drier	3516322	
9	Receiver	3516659	
10	Pan, Condensate	039-231-0031-S	
11	Condenser coil	3516455	

18699PTLV Refrigerator Evaporator Coil Assembly



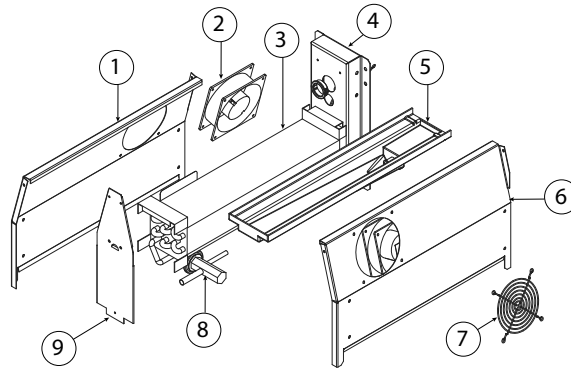
Key	Description	Part Number	Note
-	Coil Assembly, Ref	000-248-003i-S	
1	Guard, fan, 4.7"	2160024	
2	Fan, axial	2160045	
3	Coil, evaporator	3516095	
4	Back, evaporator, enclosure	030-232-0003-S	
5	Expansion valve, 1/4	3516273	
6	Side, coil, angled, Right	030-233-0001-S	
7	Drip pan, evaporator	000-BNH-0030-S	
8	Front, coil	030-234-0003-S	
9	Side, coil, angled, Left	030-233-0002-S	
-	Harness, coil	2184317	
-	Probe, Defrost, Thermostat	2194808	
-	Probe, Temp, Sensor	2194809	

18699PTLV Defrost Probe Refrigerator Evaporator Coil Assembly



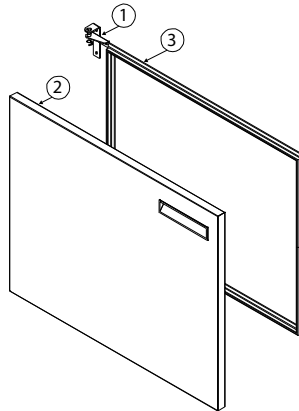
Key	Description	Part Number	Note
-	Coil Assembly, Ref, No Probes	000-248-004C-S	Built after 12-1-17
1	Side, Coil, Angled, Lt	030-233-0002-S	
2	Fan, Axial	2160045	
3	Coil, evaporator	3516095	
4	Back, evaporator, enclosure	030-232-0003-S	
5	Drip pan, evaporator	000-BNH-0030-S	
6	Side, coil, angled, Rt	030-233-0001-S	
7	Guard, fan, 4.7"	2160024	
8	Expansion valve	3516273	
9	Front, coil	030-234-0003-S	
-	Harness, coil	2184317	
-	Probe, Sensor, Defrost, Danfoss	2194833	

18699PTLV No Probes Refrigerator Evaporator Coil Assembly



Key	Description	Part Number	Note
-	Coil Assembly, Ref, No Probes	000-248-003K-S	Built before 12-1-17
1	Side, Coil, Angled, Lt	030-233-0002-S	
2	Fan, Axial	2160045	
3	Coil, evaporator	3516095	
4	Back, evaporator, enclosure	030-232-0003-S	
5	Drip pan, evaporator	000-BNH-0030-S	
6	Side, coil, angled, Rt	030-233-0001-S	
7	Guard, fan, 4.7"	2160024	
8	Expansion valve	3516273	
9	Front, coil	030-234-0003-S	
-	Harness, coil	2184317	

18699PTLV Door Assembly Parts



Key	Description	Part Number	Note
1	Hinge Kit	0160179	
2	Door Assembly, Ref, 27X26, LT, 430	000-187-0082-S	
2	Door Assembly, Ref, 27X26, RT,430	000-187-0081-S	
3	Gasket, Door, 27, Mark7	1701185	

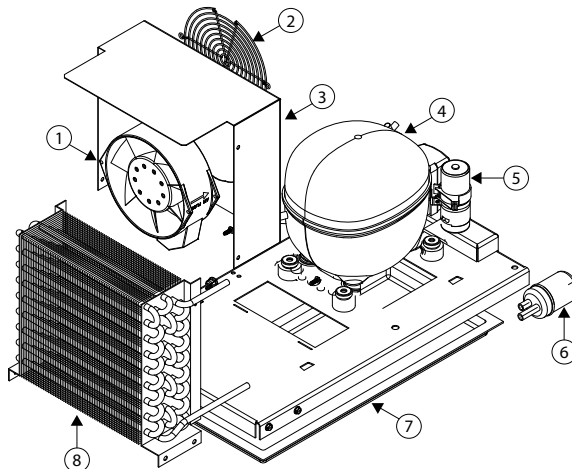
Obsolete 18648PTL Components

Obsolete 18648PTL Common Components

Replacement parts only. Unit is no longer in production as of 3-30-17.

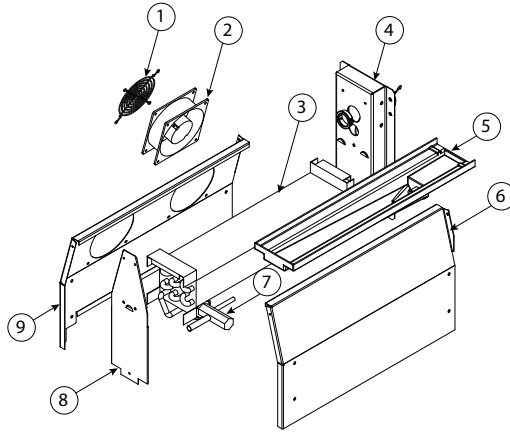
Key	Description	Part Number	Note
	Bracket, Cutting Board, Center	263-ASB-0030-S	
	Bracket, Cutting Board, LH	263-110-0034-S	
	Bracket, Cutting Board, RF	263-110-0036-S	
	Caster, 5, Plate, Swivel	3234198	
	Caster, 5, Plate, Swivel, Brake	3234199	
	Coil, Solenoid, 120V	3516053	
	Control, Danfoss, GDM, 115V	RF000083	
	Control, Low Pressure	2193927	
	Cover Assembly, Hinged, 12 Pan, PTL	000-402-0055-S	
	Hinge, Pan Cover, Center	3234392	
	Hinge, Pan Cover, End, LH	3234282	
	Hinge, Pan Cover, End, RH	3234266	
	Screw, Shelf Support, 1.5"	9321132	
	Shelf, Wire, 27"	3978014	
	Shelf Support, 1"	3234290	
	Switch, Rocker, 20A/125V	2190154	
	Thermostat Assembly, Danfoss, MK7	000-282-0053-S	
	Valve, Expansion, Freezer, 1/4Ton	3516225	
	Valve, Solenoid, 1/4ODF	3516102	

Obsolete 18648PTL 1/4HP R404A Condensing Unit Assembly



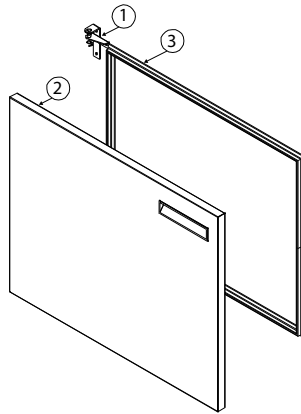
Key	Description	Part Number	Note
-	Assembly, 1/4 HP Condensing Unit	000-BN5-0030-S	
1	Fan	2160028	
2	Guard, Fan	2160030	
3	Shroud, Condenser Coil	026-C58-0037-S	
4	Compressor, Danfoss, NF5.5CLX	3526999	
5	Start Capacitor	2194787	
	Comp, Relay, Overload, NF5.5CLX	3516444	
6	Filter Dryer	3516322	
7	Condensate Pan	039-231-0030-S	
8	Condenser Coil	3516454	

Obsolete 18648PTL Fans Left Refrigerator Evaporator Coil Assembly



Key	Description	Part Number	Note
-	Coil Assembly, Ref, Fan Lt	000-248-0037-S	
1	Guard, fan, 4.7"	2160024	
2	Fan, axial	2160023	
3	Coil, evaporator	3516095	
4	Back, evaporator, enclosure	030-232-0003-S	
5	Drip pan, evaporator	000-BNH-0030-S	
6	Side, coil, angled, Rt, Blank	030-233-0038-S	
7	Expansion valve, 1/4	3516273	
8	Front, coil	030-234-0003-S	
9	Side, Coil, Angled, Lt, 2Fan	030-233-0039-S	
-	Harness, coil	2184317	
-	Probe, Defrost, Thermostat	2194808	
-	Probe, Temp, Sensor	2194809	

Obsolete 18648PTL Door Assembly Parts



Key	Description	Part Number	Note
1	Hinge Kit	0160179	
2	Door Assembly, Ref, 27X26, LT, 430	000-187-0082-S	
2	Door Assembly, Ref, 27X26, RT, 430	000-187-0081-S	
3	Gasket, Door, 27, Mark7	1701185	

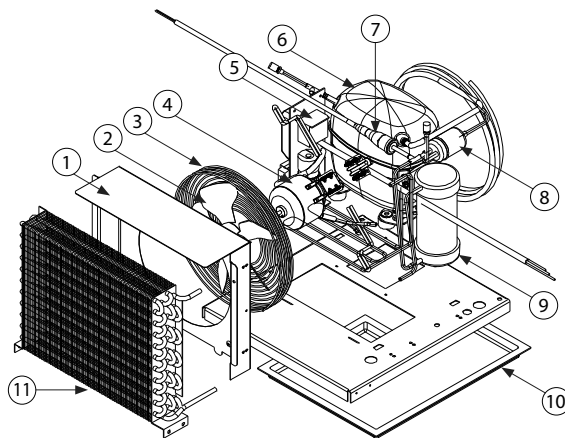
Obsolete 18672PTL Components

Obsolete 18672PTL Common Components

Replacement parts only. Unit is no longer in production as of 3-30-17.

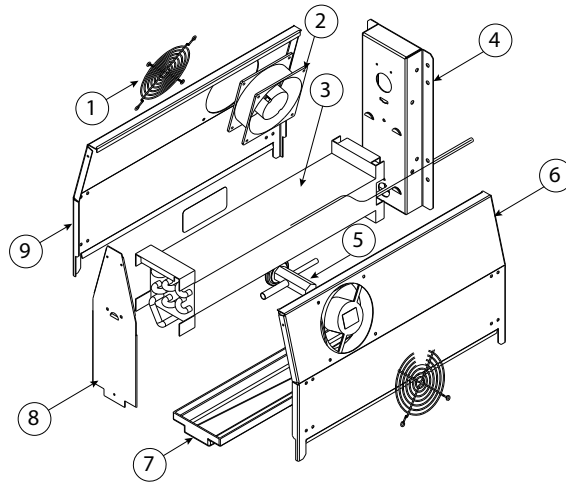
Key	Description	Part Number	Note
	Bracket, Cutting Board, Center	263-ASB-0030-S	
	Bracket, Cutting Board, LH	263-110-0034-S	
	Bracket, Cutting Board, RF	263-110-0036-S	
	Caster, 5, Plate, Swivel	3234198	
	Caster, 5, Plate, Swivel, Brake	3234199	
	Coil, Solenoid, 120V	3516053	
	Control, Danfoss, GDM, 115V	RF000083	
	Control, Low Pressure	2193927	
	Cover Assembly, Hinged, 6 Pan, PTL	000-402-0054-S	
	Cover Assembly, Hinged, 12 Pan, PTL	000-402-0055-S	
	Hinge, Pan Cover, Center	3234392	
	Hinge, Pan Cover, End, LH	3234282	
	Hinge, Pan Cover, End, RH	3234266	
	Screw, Shelf Support, 1.5"	9321132	
	Shelf, Wire, 27"	3978014	
	Shelf Support, 1"	3234290	
	Switch, Rocker, 20A/125V	2190154	
	Thermostat Assembly, Danfoss, MK7	000-282-0053-S	
	Valve, Expansion, Freezer, 1/4Ton	3516225	
	Valve, Solenoid, 1/4ODF	3516102	

Obsolete 18672PTL 1/2HP R404A Mid Temp Condensing Unit Assembly



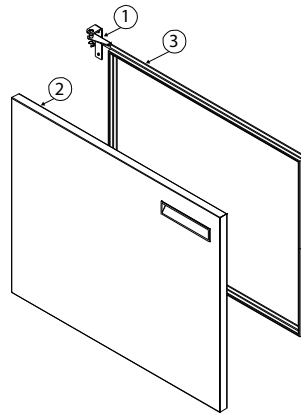
Key	Description	Part Number	Note
-	Assembly, 1/2HP Condenser, Med	000-BN5-0035-S	
1	Shroud	026-C58-0031-S	
2	Condenser fan blade	3516554	
3	Condenser fan guard	2160019	
4	Condenser fan motor, 115V	2162716	
5	Capacitor, start-run assembly	3516462	
6	Compressor, SC12MLX	3527026	
7	Hi pressure switch	3516331	
8	Filter Drier	3516322	
9	Receiver	3516459	Built before 9-9-15
9	Receiver	3516659	Built after 9-9-15
10	Pan, Condensate	039-231-0031-S	
11	Condenser coil	3516455	

Obsolete 18672PTL Refrigerator Evaporator Coil Assembly



Key	Description	Part Number	Note
-	Coil Assembly, Ref	000-248-0030-S	
1	Guard, fan, 4.7"	2160024	
2	Fan, axial	2160023	
3	Coil, evaporator	3516095	
4	Back, evaporator, enclosure	030-232-0003-S	
5	Expansion valve, 1/4	3516273	
6	Side, coil, angled, Right	030-233-0001-S	
7	Drip pan, evaporator	075-231-0033-S	
8	Front, coil	030-234-0003-S	
9	Side, coil, angled, Left	030-233-0002-S	
-	Harness, coil	2184317	
-	Probe, Defrost, Thermostat	2194808	
-	Probe, Temp, Sensor	2194809	

Obsolete 18672PTL Door Assembly Parts



Key	Description	Part Number	Note
1	Hinge Kit	0160179	
2	Door Assembly, Ref, 27X26, LT, 430	000-187-0082-S	
2	Door Assembly, Ref, 27X26, RT,430	000-187-0081-S	
3	Gasket, Door, 27, Mark7	1701185	

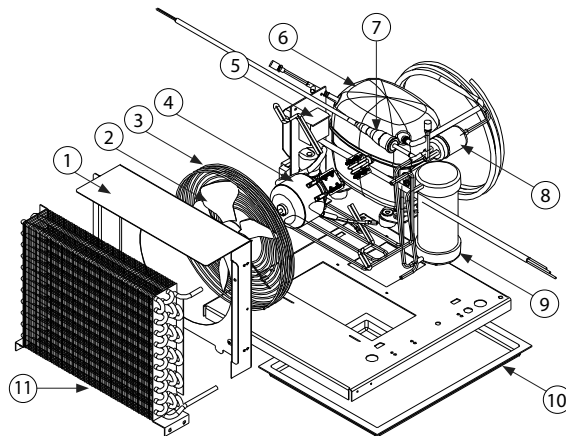
Obsolete 18699PTL Components

Obsolete 18699PTL Common Components

Replacement parts only. Unit is no longer in production as of 3-30-17.

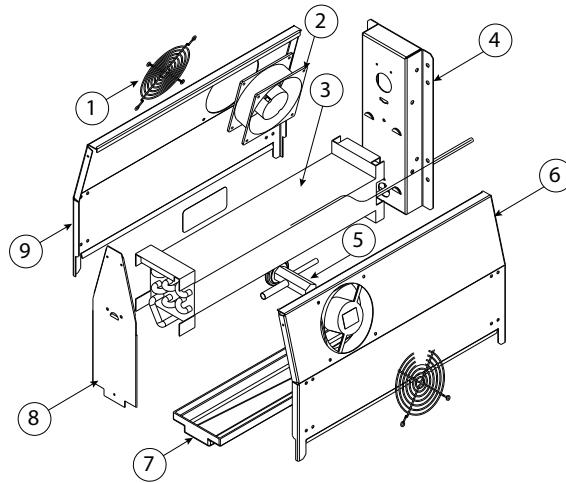
Key	Description	Part Number	Note
	Bracket, Cutting Board, Center	263-ASB-0030-S	
	Bracket, Cutting Board, LH	263-110-0034-S	
	Bracket, Cutting Board, RF	263-110-0036-S	
	Caster, 5, Plate, Swivel	3234198	
	Caster, 5, Plate, Swivel, Brake	3234199	
	Coil, Solenoid, 120V	3516053	
	Control, Danfoss, GDM, 115V	RF000083	
	Control, Low Pressure	2193927	
	Cover Assembly, Hinged, 12 Pan, PTL	000-402-0055-S	
	Hinge, Pan Cover, Center	3234392	
	Hinge, Pan Cover, End, LH	3234282	
	Hinge, Pan Cover, End, RH	3234266	
	Screw, Shelf Support, 1.5"	9321132	
	Shelf, Wire, 27"	3978014	
	Shelf Support, 1"	3234290	
	Switch, Rocker, 20A/125V	2190154	
	Thermostat Assembly, Danfoss, MK7	000-282-0053-S	
	Valve, Expansion, Freezer, 1/4Ton	3516225	
	Valve, Solenoid, 1/4ODF	3516102	

Obsolete 18699PTL 1/2HP R404A Mid Temp Condensing Unit Assembly



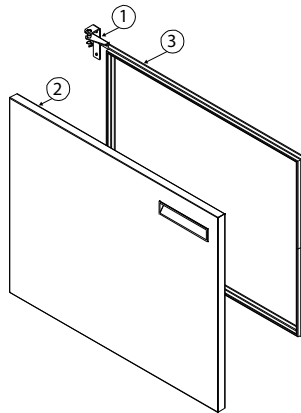
Key	Description	Part Number	Note
-	Assembly, 1/2HP Condenser, Med	000-BN5-0035-S	
1	Shroud	026-C58-0031-S	
2	Condenser fan blade	3516554	
3	Condenser fan guard	2160019	
4	Condenser fan motor, 115V	2162716	
5	Capacitor, start-run assembly	3516462	
6	Compressor, SC12MLX	3527026	
7	Hi pressure switch	3516331	
8	Filter Drier	3516322	
9	Receiver	3516459	Built before 9-9-15
9	Receiver	3516659	Built after 9-9-15
10	Pan, Condensate	039-231-0031-S	
11	Condenser coil	3516455	

Obsolete 18699PTL Refrigerator Evaporator Coil Assembly



Key	Description	Part Number	Note
-	Coil Assembly, Ref	000-248-0030-S	
1	Guard, fan, 4.7"	2160024	
2	Fan, axial	2160023	
3	Coil, evaporator	3516095	
4	Back, evaporator, enclosure	030-232-0003-S	
5	Expansion valve, 1/4	3516273	
6	Side, coil, angled, Right	030-233-0001-S	
7	Drip pan, evaporator	075-231-0033-S	
8	Front, coil	030-234-0003-S	
9	Side, coil, angled, Left	030-233-0002-S	
-	Harness, coil	2184317	
-	Probe, Defrost, Thermostat	2194808	
-	Probe, Temp, Sensor	2194809	

Obsolete 18699PTL Door Assembly Parts



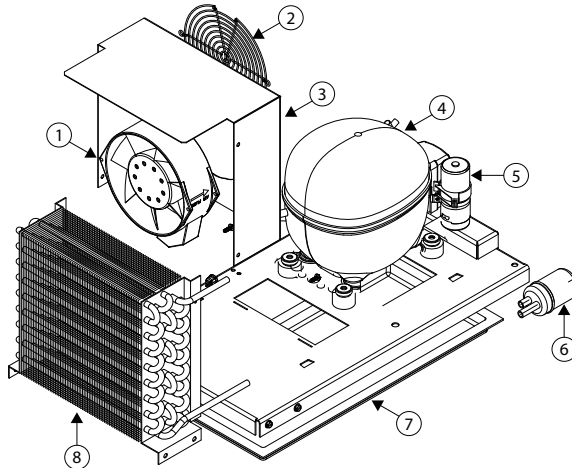
Key	Description	Part Number	Note
1	Hinge Kit	0160179	
2	Door Assembly, Ref, 27X26, LT, 430	000-187-0082-S	
2	Door Assembly, Ref, 27X26, RT,430	000-187-0081-S	
3	Gasket, Door, 27, Mark7	1701185	

18648PTL-E Components

18648PTL-E Common Components

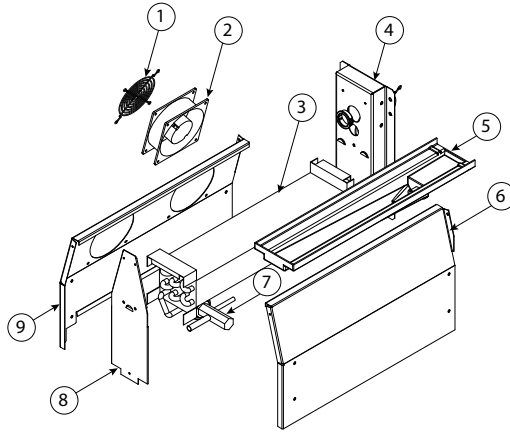
Key	Description	Part Number	Note
	Bracket, Cutting Board, Center	263-ASB-0030-S	
	Bracket, Cutting Board, LH	263-110-0034-S	
	Bracket, Cutting Board, RF	263-110-0036-S	
	Caster, 5, Plate, Swivel	3234198	
	Caster, 5, Plate, Swivel, Brake	3234199	
	Coil, Solenoid, 240V, Danfoss	MCP00142	
	Control, Base, Danfoss, 220V, Ref, ETC1H-1	RF000090	
	Control, Temp, Rail	MCP00143	
	Cover Assembly, Hinged, 12 Pan, PTL	000-402-0055-S	
	Hinge, Pan Cover, Center	3234392	
	Hinge, Pan Cover, End, LH	3234282	
	Hinge, Pan Cover, End, RH	3234266	
	Screw, Shelf Support, 1.5"	9321132	
	Shelf, Wire, 27"	3978014	
	Shelf Support, 1"	3234290	
	Switch, Rocker, 20A/125V,	2194400	
	Valve, Expansion, R404A, Danfoss	MCP00140	
	Valve, Solenoid, 240V, Danfoss	MCP00141	

18648PTL-E 220V/50Hz 1/4HP R404A Condensing Unit Assembly



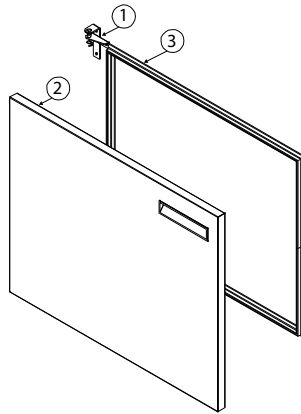
Key	Description	Part Number	Note
-	Condensing Unit Assembly, 1/4HP	000-BN5-003J-S	
1	Fan, Axial, 5.5", 230V	2160029	
2	Guard, Fan, 6.0"	2160030	
3	Shroud, Condenser Coil	026-C58-0037-S	
4	Compressor, NL7CLX, 220V/50Hz	3527013	
5	Start Capacitor	2194821	
5	Comp, Relay, Overload, NF5.5CLX	2194820	
6	Filter Dryer	3516322	
7	Condensate Pan	039-231-0030-S	
8	Condenser Coil	3516454	

18648PTL-E 220V R404A Fans Left Evaporator Coil Assembly



Key	Description	Part Number	Note
-	Coil Assembly, R404A, 220V, Ref, Fan Lt	000-248-003D-S	
1	Guard, fan, 4.7"	2160024	
2	Fan, axial, 230V	2160025	
3	Coil, evaporator	3516095	
4	Back, evaporator, enclosure	030-232-0003-S	
5	Drip pan, evaporator	000-BNH-0030-S	
6	Side, coil, angled, Rt, Blank	030-233-0038-S	
7	Expansion valve, 1/4, R-404a	MCP00140	
8	Front, coil	030-234-0003-S	
9	Side, Coil, Angled, Lt, 2Fan	030-233-0039-S	
-	Harness, coil	2184317	
-	Probe, Defrost, Danfoss, Control	2194808	
-	Probe, Temp, Sensor, Danfoss	2194809	

18648PTL-E Door Assembly Parts



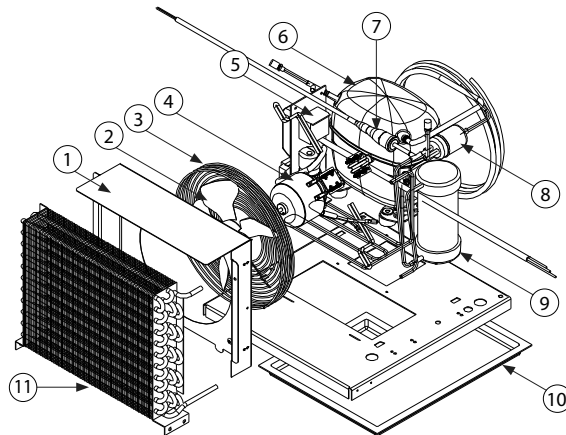
Key	Description	Part Number	Note
1	Hinge Kit	0160179	
2	Door Assembly, Ref, 27X26, LT, 430	000-187-0082-S	
2	Door Assembly, Ref, 27X26, RT,430	000-187-0081-S	
3	Gasket, Door, 27, Mark7	1701185	

18672PTL-E Components

18672PTL-E Common Components

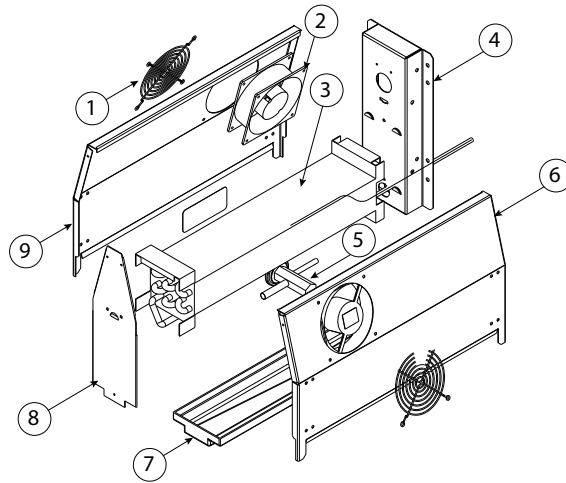
Key	Description	Part Number	Note
	Bracket, Cutting Board, Center	263-ASB-0030-S	
	Bracket, Cutting Board, LH	263-110-0034-S	
	Bracket, Cutting Board, RF	263-110-0036-S	
	Caster, 5, Plate, Swivel	3234198	
	Caster, 5, Plate, Swivel, Brake	3234199	
	Coil, Solenoid, 240V, Danfoss	MCP00142	
	Control, Base, Danfoss, 220V, Ref, ETC1H-1	RF000090	
	Control, Temp, Rail	MCP00143	
	Cover Assembly, Hinged, 6 Pan, PTL	000-402-0054-S	
	Cover Assembly, Hinged, 12 Pan, PTL	000-402-0055-S	
	Hinge, Pan Cover, Center	3234392	
	Hinge, Pan Cover, End, LH	3234282	
	Hinge, Pan Cover, End, RH	3234266	
	Screw, Shelf Support, 1.5"	9321132	
	Shelf, Wire, 27"	3978014	
	Shelf Support, 1"	3234290	
	Switch, Rocker, 20A/125V,	2194400	
	Valve, Expansion, R404A, Danfoss	MCP00140	
	Valve, Solenoid, 240V, Danfoss	MCP00141	

18672PTL-E 220V/50Hz 1/2HP R404A Mid Temp Condensing Unit Assembly



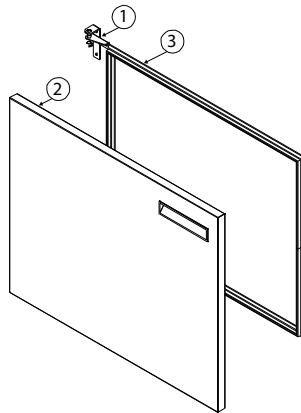
Key	Description	Part Number	Note
-	Assembly, 1/2HP Condenser, Med	000-BN5-0030-S	
1	Shroud	026-C58-0031-S	
2	Condenser fan blade	3516554	
3	Condenser fan guard	2160019	
4	Condenser fan motor, 230V	2162721	
6	Compressor, SC12MLX, 220/50	3527045	
7	Hi pressure switch	3516331	
8	Filter Drier	3516322	
9	Receiver, used on models	3516459	Built before 9-9-15
9	Receiver, used on models	3516659	Built after 9-9-15
10	Pan, Condensate	039-231-0031-S	
11	Condenser coil	3516455	

18672PTL-E 220V R404A Refrigerator Evaporator Coil Assembly



Key	Description	Part Number	Note
-	Coil Assembly, R404A, Ref	000-248-0033-S	
1	Guard, fan, 4.7"	2160024	
2	Fan, axial, 230V	2160025	
3	Coil, evaporator	3516095	
4	Back, evaporator, enclosure	030-232-0003-S	
5	Expansion valve, 1/4, R-404a	MCP00140	
6	Side, coil, angled, Rt	030-233-0001-S	
7	Drip pan, evaporator	000-BNH-0030-S	
8	Front, coil	030-234-0003-S	
9	Side, coil, angled, Lt	030-233-0002-S	
-	Harness, coil	2184317	
-	Probe, Defrost, Danfoss, Control	2194808	
-	Probe, Temp, Sensor, Danfoss	2194809	

18672PTL-E Door Assembly Parts



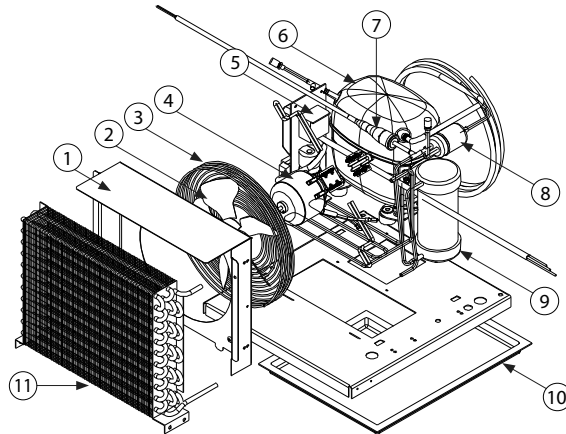
Key	Description	Part Number	Note
1	Hinge Kit	0160179	
2	Door Assembly, Ref, 27X26, LT, 430	000-187-0082-S	
2	Door Assembly, Ref, 27X26, RT, 430	000-187-0081-S	
3	Gasket, Door, 27, Mark7	1701185	

18699PTL-E Components

18699PTL-E Common Components

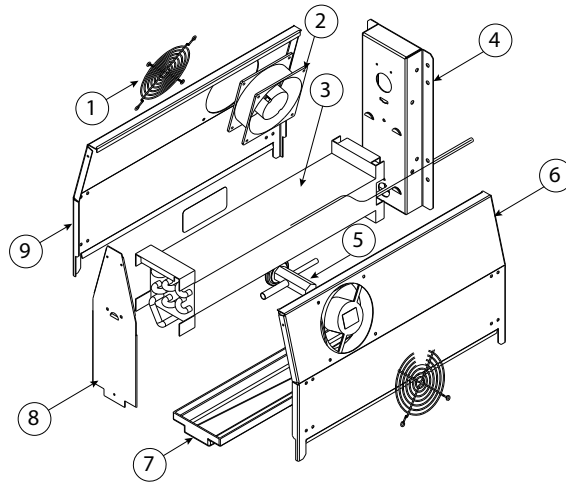
Key	Description	Part Number	Note
	Bracket, Cutting Board, Center	263-ASB-0030-S	
	Bracket, Cutting Board, LH	263-110-0034-S	
	Bracket, Cutting Board, RF	263-110-0036-S	
	Caster, 5, Plate, Swivel	3234198	
	Caster, 5, Plate, Swivel, Brake	3234199	
	Coil, Solenoid, 240V, Danfoss	MCP00142	
	Control, Base, Danfoss, 220V, Ref, ETC1H-1	RF000090	
	Control, Temp, Rail	MCP00143	
	Cover Assembly, Hinged, 12 Pan, PTL	000-402-0055-S	
	Hinge, Pan Cover, Center	3234392	
	Hinge, Pan Cover, End, LH	3234282	
	Hinge, Pan Cover, End, RH	3234266	
	Screw, Shelf Support, 1.5"	9321132	
	Shelf, Wire, 27"	3978014	
	Shelf Support, 1"	3234290	
	Switch, Rocker, 20A/125V,	2194400	
	Valve, Expansion, R404A, Danfoss	MCP00140	
	Valve, Solenoid, 240V, Danfoss	MCP00141	

18699PTL-E 220V/50Hz 1/2HP R404A Mid Temp Condensing Unit Assembly



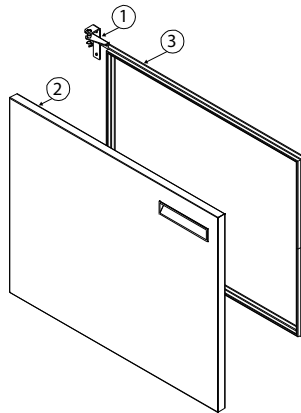
Key	Description	Part Number	Note
-	Assembly, 1/2HP Condenser, Med	000-BN5-0030-S	
1	Shroud	026-C58-0031-S	
2	Condenser fan blade	3516554	
3	Condenser fan guard	2160019	
4	Condenser fan motor, 230V	2162721	
6	Compressor, SC12MLX, 220/50	3527045	
7	Hi pressure switch	3516331	
8	Filter Drier	3516322	
9	Receiver, used on models	3516459	Built before 9-9-15
9	Receiver, used on models	3516659	Built after 9-9-15
10	Pan, Condensate	039-231-0031-S	
11	Condenser coil	3516455	

18699PTL-E 220V R404A Refrigerator Evaporator Coil Assembly



Key	Description	Part Number	Note
-	Coil Assembly, R404A, Ref	000-248-0033-S	
1	Guard, fan, 4.7"	2160024	
2	Fan, axial, 230V	2160025	
3	Coil, evaporator	3516095	
4	Back, evaporator, enclosure	030-232-0003-S	
5	Expansion valve, 1/4, R-404a	MCP00140	
6	Side, coil, angled, Rt	030-233-0001-S	
7	Drip pan, evaporator	000-BNH-0030-S	
8	Front, coil	030-234-0003-S	
9	Side, coil, angled, Lt	030-233-0002-S	
-	Harness, coil	2184317	
-	Probe, Defrost, Danfoss, Control	2194808	
-	Probe, Temp, Sensor, Danfoss	2194809	

18699PTL-E Door Assembly Parts



Key	Description	Part Number	Note
1	Hinge Kit	0160179	
2	Door Assembly, Ref, 27X26, LT, 430	000-187-0082-S	
2	Door Assembly, Ref, 27X26, RT,430	000-187-0081-S	
3	Gasket, Door, 27, Mark7	1701185	

CTP8146-NB Components

CTP8146-NB Common Components

Key	Description	Part Number	Note
	Blade, Fan, 5.56", CCW, Clear	3516172	
	Compressor, 1/5HP, R134A	3526694	Built before 7-11-16
	Compressor, 1/5HP, R404A	3526996	Built after 7-11-16
	Condenser Coil	3516082	
	Cover, Pan, Rail, 8 Pan	312-016-003U-S	
	Divider, Bar, Cold	243-ALS-0032-S	
	Divider, Bar, Cold	243-ALS-0036-S	
	Fan Motor	2162691	
	Fan Motor Bracket	031-264-0000-S	
	Filter dryer, double 1/4"OD inlet	3516230	
	Hinge, Pan Cover, Center	3234392	
	Hinge, Pan Cover, End, LH	3234282	
	Hinge, Pan Cover, End, RH	3234266	
	Panel, Louver, Front CTP-8100	356-411-0004-S	
	Pin, Hinge, Salad Pan	9321374	
	Temp Control	3516054	

CTP8160-NB Components

CTP8160-NB Common Components

Key	Description	Part Number	Note
	Blade, Fan, 5.56", CCW, Clear	3516172	
	Compressor, 1/5HP, R134A	3526694	Built before 7-11-16
	Compressor, 1/5HP, R404A	3526996	Built after 7-11-16
	Condenser Coil	3516082	
	Cover, Pan, Rail, 12 Pan	312-016-003W-S	
	Divider, Bar, Cold	243-ALS-0032-S	
	Divider, Bar, Cold	243-ALS-0036-S	
	Fan Motor	2162691	
	Fan Motor Bracket	031-264-0000-S	
	Filter dryer, double 1/4"OD inlet	3516230	
	Hinge, Pan Cover, Center	3234392	
	Hinge, Pan Cover, End, LH	3234282	
	Hinge, Pan Cover, End, RH	3234266	
	Panel, Louver, Front CTP-8100	356-411-0004-S	
	Pin, Hinge, Salad Pan	9321374	
	Temp Control	3516054	

CTP8175-NB Components

CTP8175-NB Common Components

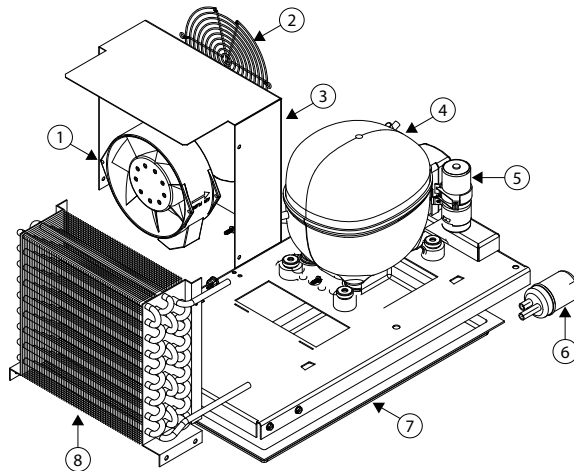
Key	Description	Part Number	Note
	Blade, Fan, 5.56", CCW, Clear	3516172	
	Compressor, 1/5HP, R134A	3526694	Built before 7-11-16
	Compressor, 1/5HP, R404A	3526996	Built after 7-11-16
	Condenser Coil	3516082	
	Cover, Hinged, CTP	223-016-Z000P-S	
	Divider, Bar, Cold	243-ALS-0030-S	
	Divider, Bar, Cold	243-ALS-0032-S	
	Fan Motor	2162691	
	Fan Motor Bracket	031-264-0000-S	
	Filter dryer, double 1/4"OD inlet	3516230	
	Hinge, Pan Cover, Center	3234392	
	Hinge, Pan Cover, End, LH	3234282	
	Hinge, Pan Cover, End, RH	3234266	
	Louver, Front, CTP-8100	356-411-Z0009-S	
	Louver, Rear, CTP-8100	026-411-Z000A-S	
	Pin, Hinge, Salad Pan	9321374	
	Temp Control	3516054	

CTP8146-NB-E Components

CTP8146-NB-E Common Components

Key	Description	Part Number	Note
	Cover, Pan, Rail, 8 Pan	312-016-003U-S	
	Divider, Bar, Cold	243-ALS-0032-S	
	Divider, Bar, Cold	243-ALS-0036-S	
	Hinge, Pan Cover, Center	3234392	
	Hinge, Pan Cover, End, LH	3234282	
	Hinge, Pan Cover, End, RH	3234266	
	Panel, Louver, Front CTP-8100	356-411-0004-S	
	Pin, Hinge, Salad Pan	9321374	

CTP8146-NB-E 220V/50Hz 1/4HP R404A Condensing Unit Assembly



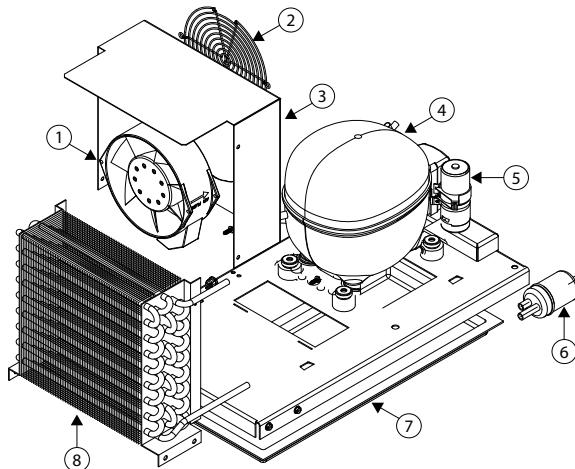
Key	Description	Part Number	Note
-	Condensing Unit Assembly, 1/4HP	000-BN5-003J-S	
1	Fan, Axial, 5.5", 230V	2160029	
2	Guard, Fan, 6.0"	2160030	
3	Shroud, Condenser Coil	026-C58-0037-S	
4	Compressor, NL7CLX, 220V/50Hz	3527013	
5	Start Capacitor	2194821	
5	Comp, Relay, Overload, NF5.5CLX	2194820	
6	Filter Dryer	3516322	
7	Condensate Pan	039-231-0030-S	
8	Condenser Coil	3516454	

CTP8160-NB-E Components

CTP8160-NB-E Common Components

Key	Description	Part Number	Note
	Cover, Pan, Rail, 12 Pan	312-016-003W-S	
	Divider, Bar, Cold	243-ALS-0032-S	
	Divider, Bar, Cold	243-ALS-0036-S	
	Hinge, Pan Cover, Center	3234392	
	Hinge, Pan Cover, End, LH	3234282	
	Hinge, Pan Cover, End, RH	3234266	
	Panel, Louver, Front CTP-8100	356-411-0004-S	
	Pin, Hinge, Salad Pan	9321374	

CTP8160-NB-E 220V/50Hz 1/4HP R404A Condensing Unit Assembly



Key	Description	Part Number	Note
-	Condensing Unit Assembly, 1/4HP	000-BN5-003J-S	
1	Fan, Axial, 5.5", 230V	2160029	
2	Guard, Fan, 6.0"	2160030	
3	Shroud, Condenser Coil	026-C58-0037-S	
4	Compressor, NL7CLX, 220V/50Hz	3527013	
5	Start Capacitor	2194821	
5	Comp, Relay, Overload, NF5.5CLX	2194820	
6	Filter Dryer	3516322	
7	Condensate Pan	039-231-0030-S	
8	Condenser Coil	3516454	

WWW.WELBILT.COM

Welbilt provides the world's top chefs, and premier chain operators or growing independents with industry leading equipment and solutions. Our cutting-edge designs and lean manufacturing tactics are powered by deep knowledge, operator insights, and culinary expertise. All of our products are backed by KitchenCare® – our aftermarket, repair, and parts service.

- ▶ CLEVELAND
- ▶ CONVOTHERM®
- ▶ DELFIELD®
- ▶ FITKITCHEN™
- ▶ FRYMASTER®
- ▶ GARLAND
- ▶ KOLPAK®
- ▶ LINCOLN
- ▶ MANITOWOC®
- ▶ MERCO®
- ▶ MERRYCHEF®
- ▶ MULTIPLEX®