

# 200 & 300 Series

## Parts List

### Contents

Model 203 - Common Components.....	2
Models 204 & 204P - Common Components.....	2
Model 240 - Common Components.....	3
Obsolete Model 242 - Common Components.....	3
Obsolete Model 248 - Common Components.....	4
Obsolete Model 250 - Common Components.....	4
Model 305 - Common Components.....	5
Model 307 - Common Components.....	5
Obsolete Models N225 & N225L (R404A Refrigerant) - Common Components .....	6
Model N225P (R290 Refrigerant) - Common Components.....	7
Obsolete Models N227 & N227L (R404A Refrigerant) - Common Components .....	8
Model N227P (R290 Refrigerant) - Common Components.....	9

## Model 203 - Common Components

---



Description	Part Number
Drain	3234242
Lid, Removable, with handle	000-AUO-0030-S
Lid handle	3234110
Lid handle screw	9321406

## Models 204 & 204P - Common Components

---



Description	Part Number
Drain (ice chest and water filler)	3234242
Glass filler 9.5" high, max. ht glass 8"	3234088
Guard	3977953
Lid, Removable, with handle	000-AUO-0030-S
Lid handle	3234110
Lid handle screw	9321406
Pitcher filler 13.5" high, max. ht pitcher 12"	3234303

## Model 240 - Common Components

---



Description	Part Number
Drain	3234242
Lid, Removable	000-AUO-0001-S
Lid handle	3234110
Lid handle screws	9321406

## Obsolete Model 242 - Common Components

---

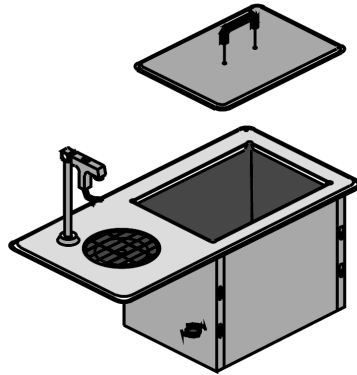
For replacement parts only, this equipment is no longer in production.



Description	Part Number
Basket Strainer	3234007
Faucet	3234076

## Obsolete Model 248 - Common Components

For replacement parts only, this equipment is no longer in production.



Description	Part Number
Drain	3234242
Glass filler	3234088
Guard	3977953
Lid handle	3234110
Lid handle screw	9321406
Removable lid	000-AUO-0030-S

## Obsolete Model 250 - Common Components

Replacement Parts Only. Model is no longer in production as of 11-20-17



Description	Part Number
Basket strainer	3234007
Drain	3234242
Faucet	3234076
Glass filler	3234088
Guard	3977953
Lid handle	3234110
Lid handle screw	9321406
Removable lid	000-AUO-0030-S

## Model 305 - Common Components

---



Description	Part Number
Drain	3234242
Lid handle	3234110
Lid handle screw	9321406
Removable lid	000-AUO-0030-S

## Model 307 - Common Components

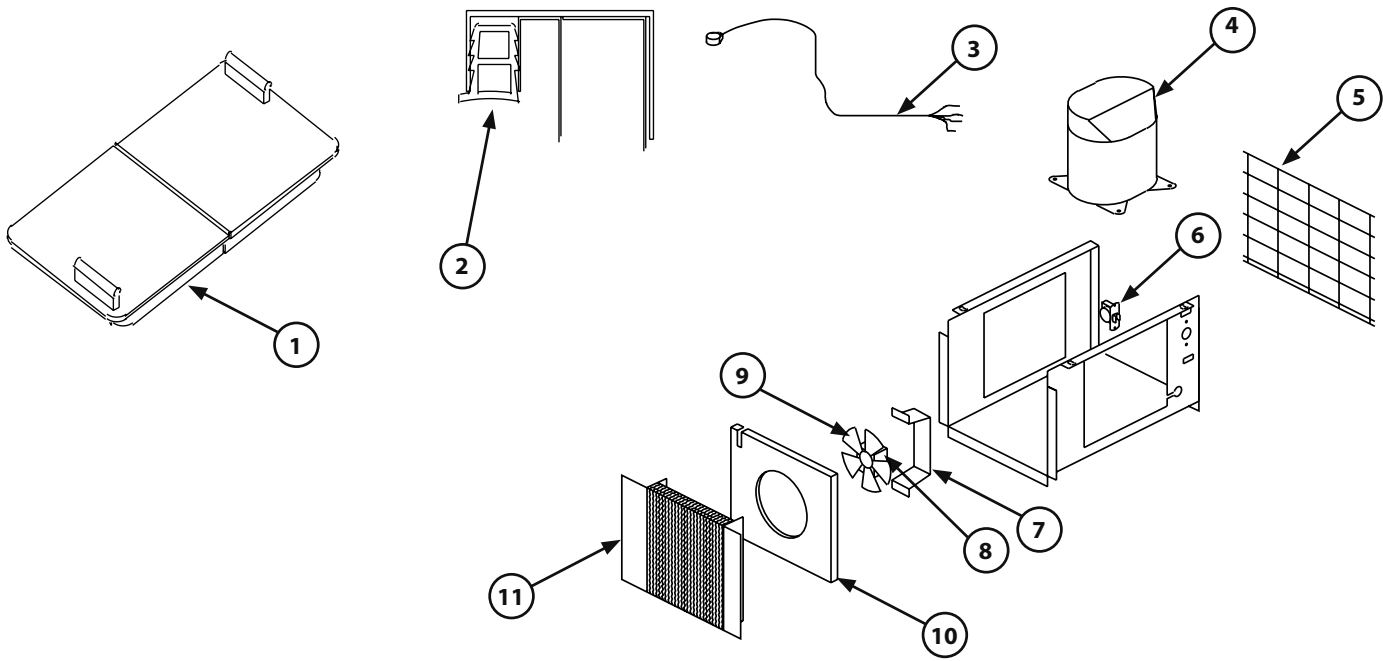
---



Description	Part Number
Drain	3234242
Glass filler 9.5" high, max. ht glass 8"	3234088
Guard	3977953
Pitcher Filler, 12"	3234303

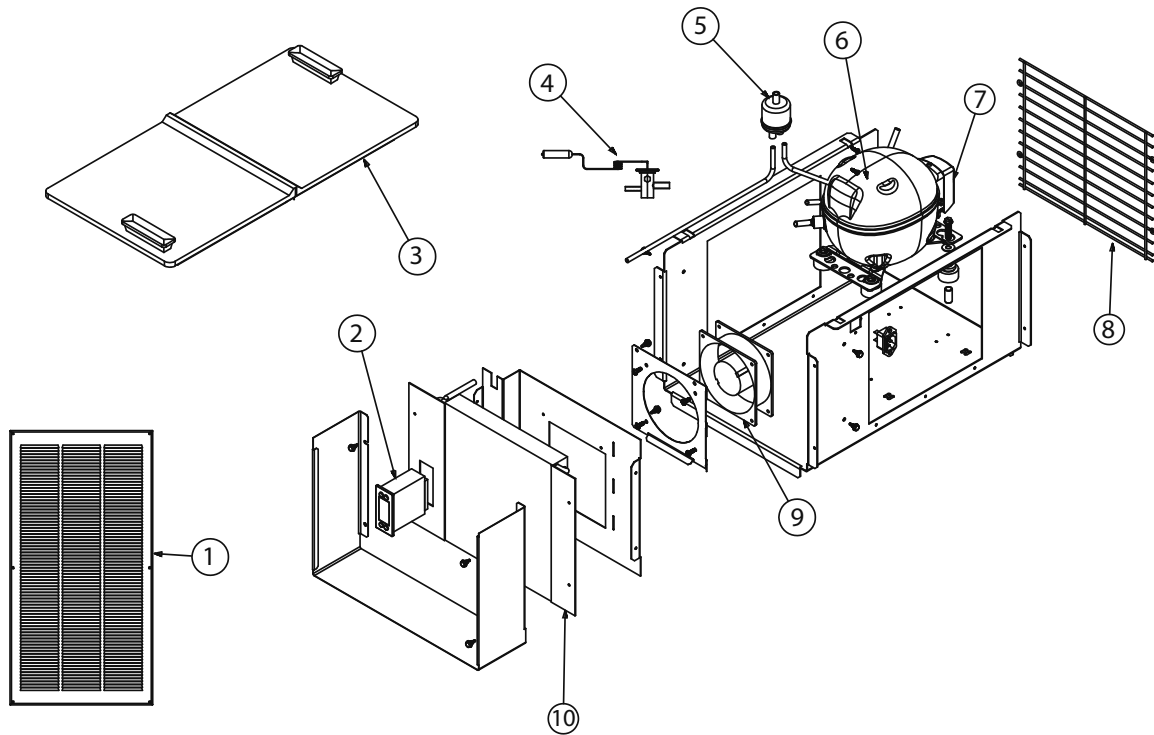
# Obsolete Models N225 & N225L (R404A Refrigerant) - Common Components

For replacement parts only. R404A refrigerant models are no longer in production as of 3-30-17.



1	Cover (solid)	3234188
2	Trim gasket	1701273
3	Harness, power cord, R404A	2183349
4	Compressor, 1/5 H.P. (404A)	3526997
5	Wire fan guard	3977986
6	Temperature control	3516054
7	Fan motor bracket	031-264-0000-S
8	Fan motor	2162691-S
9	Blade, Fan, 5.56", CCW, Clear	3516172-S
10	Fan baffle	026-ANM-0030
11	Condenser coil	3516067
	Capillary tube, .031" i.d. 120"	RF000080-S
	Compressor relay	3516446
	Filter dryer, double 1/4"OD inlet	3516230
	High pressure switch	3516324
	Louvered panel (cutout 12" x 23.5")	359-411-0003-S
	Start capacitor	2194787

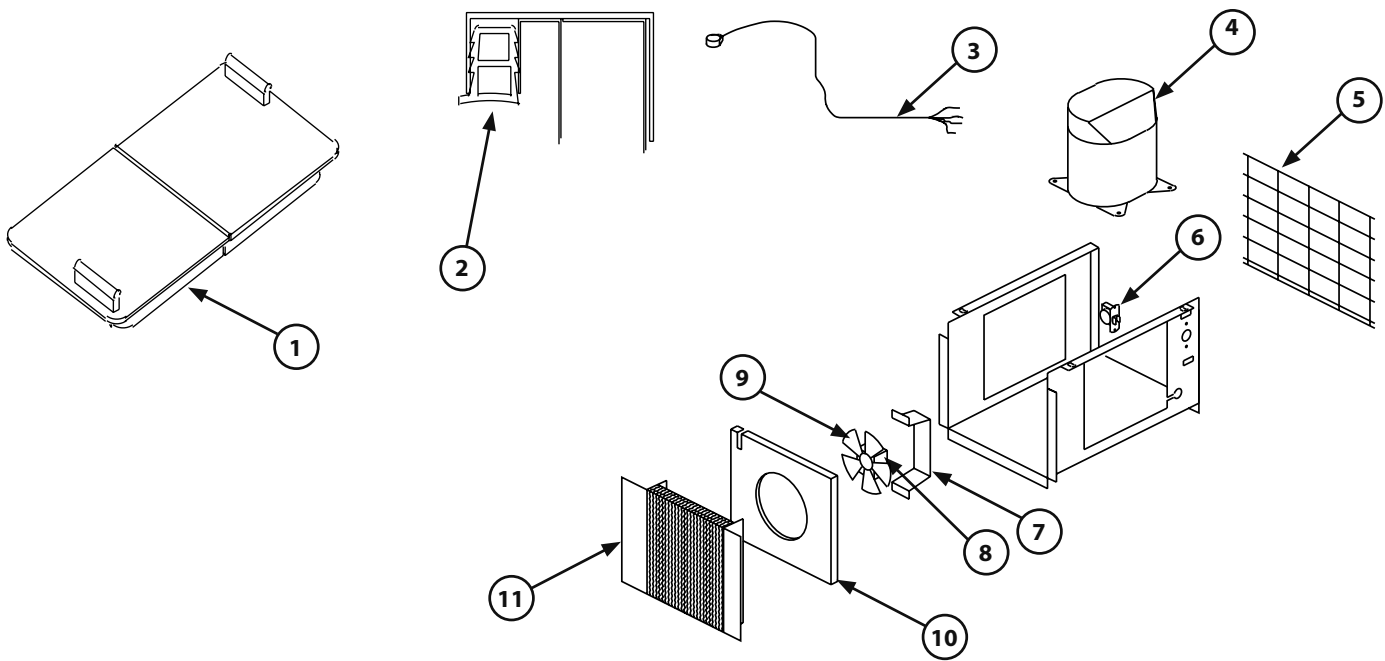
## Model N225P (R290 Refrigerant) - Common Components



Key	Description	N225P Part Number
1	Louvered panel (cutout 12" x 23.5")	359-411-003G-S
2	Control Assembly	000-CZ0-0062kt-s
3	Cover (solid)	3234188
4	Thermal expansion valve	3517414
5	Filter dryer, double inlet, .25", 1.5"	3516478
6	Compressor, R290, 1/5HP	3527162
7	Compressor relay, Compressor	3520009
7	Start capacitor, Compressor	3520010
8	Wire fan guard	3977986
9	Fan Axial	2160023
10	Condenser coil, 9x10	3516482
-	Trim gasket	1701273
-	Harness, power cord, R290	2187082
-	Lid Lock Device, 1-Lid, 16.06"	000-0T2-0030-S
-	Handle With Lock Lid Lock Device (Lock) Key No. Ch751	3234116

# Obsolete Models N227 & N227L (R404A Refrigerant) - Common Components

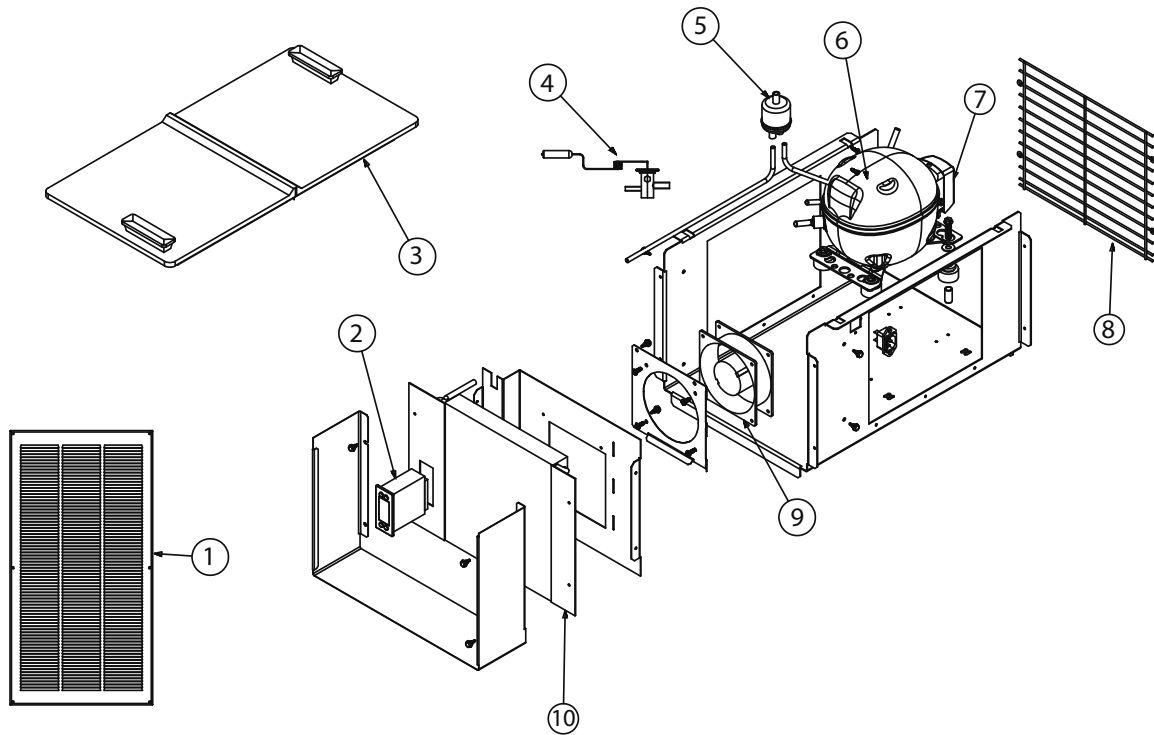
For replacement parts only. R404A refrigerant models are no longer in production as of 3-30-17.



1	Cover (solid)	3234188
2	Trim gasket	1701273
3	Harness, power cord, R404A	2183349
4	Compressor, 1/5 H.P. (404A)	3526996
5	Wire fan guard	3977986
6	Temperature control	3516054
7	Fan motor bracket	031-264-0000-S
8	Fan motor	2162691-S
9	Blade, Fan, 5.56", CCW, Clear	3516172-S
10	Fan baffle	026-ANM-0030
11	Condenser coil	3516067
	Capillary tube, .031" i.d. 120"	RF000080-S
	Compressor relay	3516446
	Filter dryer, double 1/4"OD inlet	3516230
	High pressure switch	3516324
	Louvered panel (cutout 12" x 23.5")	359-411-0003-S
	Start capacitor	2194787



## Model N227P (R290 Refrigerant) - Common Components



Key	Description	Part Number	Production Note
1	Louvered panel (cutout 12" x 23.5")	359-411-003G-S	
2	Control Assembly	000-CZ0-0062kt-s	
3	Cover (solid)	3234188	
4	Thermal expansion valve	3517414	
5	Filter dryer, double inlet, .25", 1.5"	3516478	
6	Compressor, R290, 0.22HP	3527145	Built before 9-12-17
6a	Compressor, R290, 1/4HP	3527163	Built after 9-12-17
7	Compressor relay, Compressor	3520000	Built before 9-12-17
7a	Compressor relay, Compressor	3520011	Built after 9-12-17
7b	Start capacitor, Compressor	3520002	Built before 9-12-17
7c	Start capacitor, Compressor	3520010	Built after 9-12-17
7d	Overload, Compressor	3520001	Built before 9-12-17
8	Wire fan guard	3977986	
9	Fan Axial	2160023	
10	Condenser coil, 9x10	3516482	
-	Trim gasket	1701273	
-	Harness, power cord, R290	2187082	
-	Lid Lock Device, 2 Lid	000-0T2-0031-S	
-	Handle With Lock Lid Lock Device (Lock) Key No. Ch751	3234116	

[WWW.WELBILT.COM](http://WWW.WELBILT.COM)

Welbilt provides the world's top chefs, and premier chain operators or growing independents with industry leading equipment and solutions. Our cutting-edge designs and lean manufacturing tactics are powered by deep knowledge, operator insights, and culinary expertise. All of our products are backed by KitchenCare® – our aftermarket, repair, and parts service.

- ▶ CLEVELAND
- ▶ CONVOTHERM®
- ▶ DELFIELD®
- ▶ FITKITCHEN™
- ▶ FRYMASTER®
- ▶ GARLAND
- ▶ KOLPAK®
- ▶ LINCOLN
- ▶ MANITOWOC®
- ▶ MERCO®
- ▶ MERRYCHEF®
- ▶ MULTIPLEX®