

6000XL & 6100XL Series

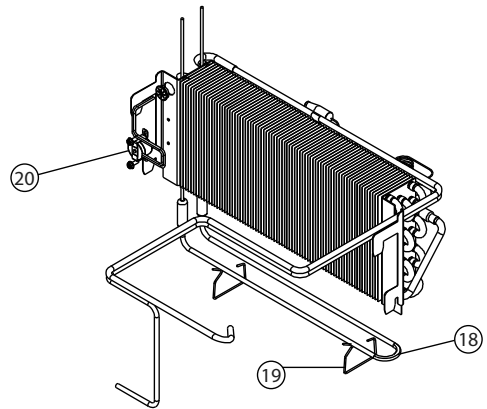
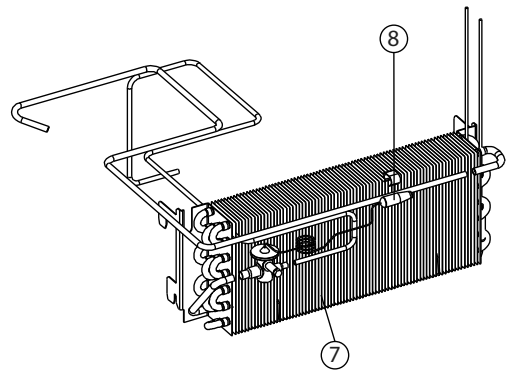
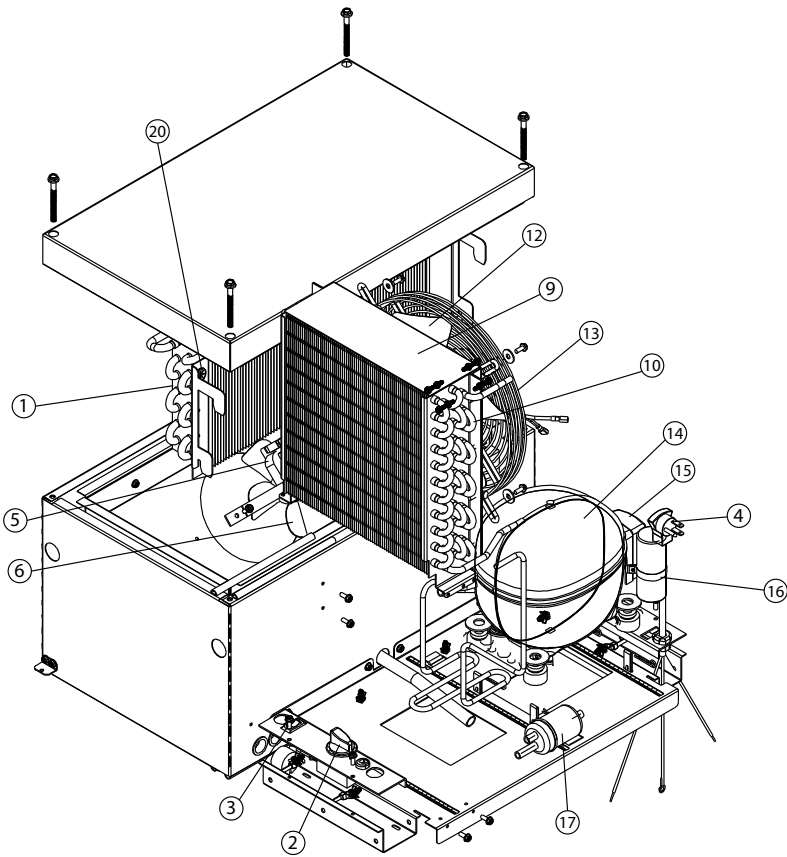
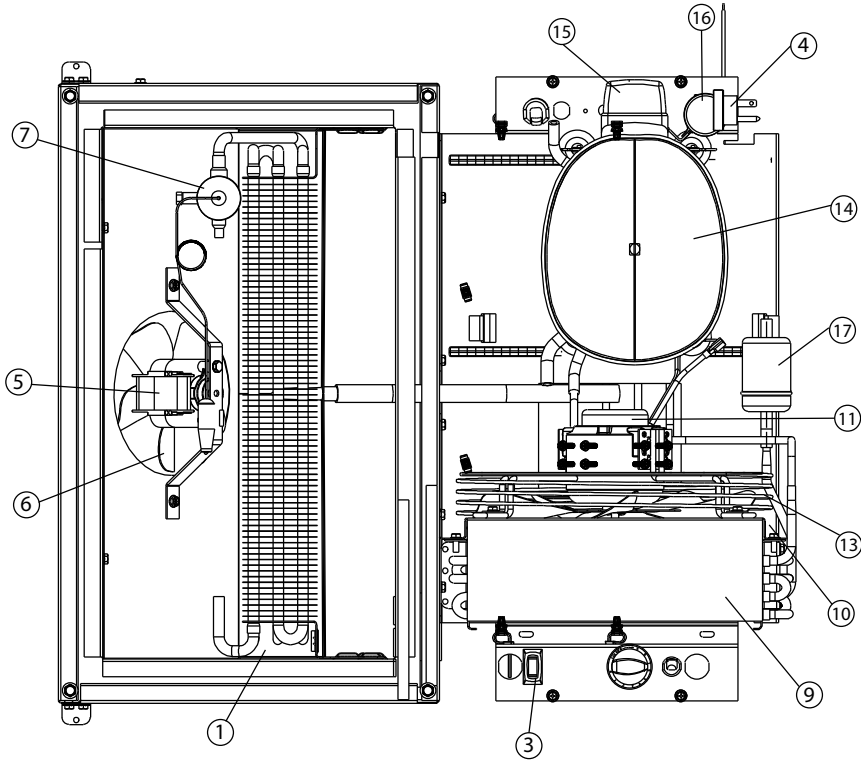
Reach Ins Built February 2007 - 2017

Parts List

Contents

Refrigeration Package Diagram	2
6025XL-G(H) Refrigerator Common Components	3
6025XL-S(H) Refrigerator Common Components	4
6051XL-G(H) Refrigerator Common Components	5
6051XL-S(H) Refrigerator Common Components	6
6076XL-G(H) Refrigerator Common Components	7
6076XL-S(H) Refrigerator Common Components	8
6125XL-S(H) Freezer Common Components	9
6151XL-S(H) Freezer Common Components	10
6176XL-S(H) Freezer Common Components	11

Refrigeration Package Diagram



6025XL-G(H) Refrigerator Common Components

Key	Description	Part #	Notes
1	Coil, Evaporator, Ref, 1 Door	3516437	
2	Temperature Control - 115V	2194811KT-S	Built after 06/06/11
2a	Temperature Control - 220V/50Hz	2194988KT-S	
3	Rocker Switch - 125V/20 amp	2190154	
4	Cord, power	2184181	
5	Motor, Fan, Bay, 3/4ST	2162715	Evaporator motor
5a	Motor, Fan, Bay, 3/4ST - 220V/50Hz	2162719	Evaporator motor
6	Blade, Fan, 5.56, CW	3517390	Evaporator blade
7	Valve, refrigerant, TXV	3516429	
8	Clip, TXV bulb mounting	3516595	
9	Coil, condenser	3516427	
10	Shroud, condenser fan	127-C33-0036-S	
11	Fan Motor - 115V	2162717	Condenser motor
11a	Fan Motor - 220V/50Hz	2162720	Condenser motor
12	Fan Blade - 25° x 8.75" - CW	3516432	Condenser blade
13	Fan Guard - Wire	2160019	
14	Compressor, Freezer., Nf5.5clx, 115v, 60hz	3526999	
14a	Compressor, 220v/50Hz - NL7CUX	3527013	
15	Relay, Overload, Compressor, Freezer, Nf5.5clx	3516444	
15a	50Hz Relay and overload, Danfoss p/n	117U6002	
16	Start Capacitor	2194787	
16a	50Hz Capacitor, start, 80MFD, Danfoss p/n	117U5015	
17	Filter-drier, refrigerant	3516322	
	Ballast	2198540	
	Breaker, Vacuum	3516204A	
	Bulb, fluorescent, 18" coated, F15T8	2194290	
	Cable, Display, 59	2194791	Communication cable for display
	Casters, rigid, One section only	3235514	
	Casters, swivel, with brake	3234779	
	Condensate pan	1702795	
	Copper condensate look (hot gas)	158-C34-004KT-S	
	Display, Blue, Danfoss	2194792	
	Door lock	3239590	
	Gasket, full door glass	1701341	Built before 12/3/07
	Gasket, full door, glass	1701901	Built after 12/3/07
	Gasket, half door glass	1701342	Built before 12/3/07
	Gasket, half door, glass	1701902	Built after 12/3/07
	Glass Door - Full - Right Hinged or Left Hinged	3455654	
	Glass Door - Half	3455653	
	Hinge, 1-5/16" [1]	3234617-S	Built after 12/3/07
	Lampholder	2194289	
	Legs	3234791	
	Shelf, One Section	3978270	
	Solenoid valve, used on remote units	3516041	
	Switch, rocker, door, SPDT-D8	5066440	
	Temperature Control - 115V	2194782KT-S	Built before 06/06/11

6025XL-S(H) Refrigerator Common Components

Key	Description	Part #	Notes
1	Coil, Evaporator, Ref, 1 Door	3516437	
2	Temperature Control - 115V	2194811KT-S	Built after 06/06/11
2a	Temperature Control - 220V/50Hz	2194988KT-S	
3	Rocker Switch - 125V/20 amp	2190154	
4	Cord, power	2184181	
5	Motor, Fan, Bay, 3/4ST	2162715	Evaporator motor
5a	Motor, Fan, Bay, 3/4ST - 220V/50Hz	2162719	Evaporator motor
6	Blade, Fan, 5.56, CW	3517390	Evaporator blade
7	Valve, refrigerant, TXV	3516429	
8	Clip, TXV bulb mounting	3516595	
9	Coil, condenser	3516427	
10	Shroud, condenser fan	127-C33-0036-S	
11	Fan Motor - 115V	2162717	Condenser motor
11a	Fan Motor - 220V/50Hz	2162720	Condenser motor
12	Fan Blade - 25° x 8.75" - CW	3516432	Condenser blade
13	Fan Guard - Wire	2160019	
14	Compressor, Freezer., Nf5.5clx, 115v, 60hz	3526999	
14a	Compressor, 220v/50Hz - NL7CUX	3527013	
15	Relay, Overload, Compressor, Freezer, Nf5.5clx	3516444	
15a	50Hz Relay and overload, Danfoss p/n	117U6002	
16	Start Capacitor	2194787	
16a	50Hz Capacitor, start, 80MFD, Danfoss p/n	117U5015	
17	Filter-drier, refrigerant	3516322	
	Breaker, Vacuum	3516204A	
	Bulb, incandescent, 40W	2194005	
	Bulb, socket	2194145	
	Cable, Display, 59	2194791	
	Casters, rigid, One section only	3235514	
	Casters, swivel, with brake	3234779	
	Condensate pan	1702795	
	Copper condensate look (hot gas)	158-C34-004K-S	
	Display, Blue, Danfoss	2194792	
	Door Hinge Kit - 1.3125" [1]	3234617-S	Built after 12/3/07
	Door lock	3239590	
	Full Door, S/S, left or right, edge mount hinges	000-AB9-013K-S	Built after 12/3/07
	Gasket, Full Door	1702751	Built before 12/3/07
	Gasket, full door, S/S	1702796	Built after 12/3/07
	Gasket, Half Door	1702752	Built before 12/3/07
	Gasket, half door, S/S	1702797	Built after 12/3/07
	Half Door, S/S, bottom left or right, edge mount hinges	000-AB9-013P-S	Built after 12/3/07
	Half Door, S/S, top left or right, edge mount hinges	000-AB9-013M-S	Built after 12/3/07
	Legs	3234791	
	Shelf, One Section, Three Section	3978270	
	Solenoid valve, used on remote units	3516041	
	Switch, rocker, door, SPDT-D8	5066440	
	Temperature Control - 115V	2194782KT-S	Built before 06/06/11

6051XL-G(H) Refrigerator Common Components

Key	Description	Part #	Notes
1	Coil, Evaporator, Ref, 1 Door	3516437	
2	Temperature Control - 115V	2194811KT-S	Built after 06/06/11
2a	Temperature Control - 220V/50Hz	2194988KT-S	
3	Rocker Switch - 125V/20 amp	2190154	
4	Cord, power	2184181	
5	Motor, Fan, Bay, 3/4ST	2162715	Evaporator motor
5a	Motor, Fan, Evaporator - 220V/50Hz	2192719	Evaporator motor
6	Blade, Fan, 5.56, CW	3517390	Evaporator blade
7	Valve, refrigerant, TXV	3516429	
8	Clip, TXV bulb mounting	3516595	
9	Coil, Condenser, Large, Upright	3516427	
10	Shroud, condenser fan	127-C33-0030-S	
11	Fan Motor - 115V/16W	2162716	Condenser motor
11a	Fan Motor - 220V/50Hz	2162721	Condenser motor
12	Blade, Fan, 25	3516433	Condenser blade
13	Fan Guard - Wire	2160019	
14	Compressor - 115V/60 Hz	3527000	
14a	Compressor, 50Hz - SC15CLX.2 danfoss	3527012	
15	Relay - 115V/60 Hz	3516438	
15a	50Hz Relay and overload, Danfoss p/n	117U6003	
16	Start Capacitor - 115V/60 Hz	2194788	
16a	50Hz Capacitor, start, 80MFD, Danfoss p/n	117U5015	
17	Filter-drier, refrigerant	3516322	
	Ballast	2198540	
	Breaker, Vacuum	3516204A	
	Bulb, fluorescent, 18" coated, F15T8	2194290	
	Cable, Display, 59	2194791	Communication cable for display
	Caster, 4, Plate, Swivel, Polyolefin	3234778	
	Casters, swivel, with brake	3234779	
	Condensate pan	1702795	
	Copper condensate look (hot gas)	158-C34-004K-S	
	Display, Blue, Danfoss	2194792	
	Door lock	3239590	
	Gasket, full door glass	1701341	Built before 12/3/07
	Gasket, full door, glass	1701901	Built after 12/3/07
	Gasket, half door glass	1701342	Built before 12/3/07
	Gasket, half door, glass	1701902	Built after 12/3/07
	Glass Door - Full - Right Hinged or Left Hinged	3455654	Built after 12/3/07
	Glass Door - Half	3455653	Built after 12/3/07
	Hinge, 1-5/16" [1]	3234617-S	Built after 12/3/07
	Lampholder	2194289	
	Legs	3234791	
	Shelf LH, Two Section, Three Section	3978277	
	Shelf RH, Two Section, Three Section	3978278	
	Solenoid valve, used on remote units	3516041	
	Switch, rocker, door, SPDT-D8	5066440	
	Temperature Control - 115V	2194782KT-S	Built before 06/06/11

6051XL-S(H) Refrigerator Common Components

Key	Description	Part #	Notes
1	Coil, Evaporator, Ref, 1 Door	3516437	
2	Temperature Control - 115V	2194811KT-S	Built after 06/06/11
2a	Temperature Control - 220V/50Hz	2194988KT-S	
3	Rocker Switch - 125V/20 amp	2190154	
4	Cord, power	2184181	
5	Motor, Fan, Bay, 3/4ST	2162715	Evaporator motor
5a	Motor, Fan, Evaporator - 220V/50Hz	2192719	Evaporator motor
6	Blade, Fan, 5.56, CW	3517390	Evaporator blade
7	Valve, refrigerant, TXV	3516429	
8	Clip, TXV bulb mounting	3516595	
9	Coil, Condenser, Large, Upright	3516427	
10	Shroud, condenser fan	127-C33-0030-S	
11	Fan Motor - 115V/16W	2162716	Condenser motor
11a	Fan Motor - 220V/50Hz	2162721	Condenser motor
12	Blade, Fan, 25	3516433	Condenser blade
13	Fan Guard - Wire	2160019	
14	Compressor - 115V/60 Hz	3527000	
14a	Compressor, 50Hz - SC15CLX.2 danfoss	3527012	
15	Relay - 115V/60 Hz	3516438	
15a	50Hz Relay and overload, Danfoss p/n	117U6003	
16	Start Capacitor - 115V/60 Hz	2194788	
16a	50Hz Capacitor, start, 80MFD, Danfoss p/n	117U5015	
17	Filter-drier, refrigerant	3516322	
	Breaker, Vacuum	3516204A	
	Bulb, incandescent, 40W	2194005	
	Bulb, socket	2194145	
	Cable, Display, 59	2194791	Communication cable for display
	Caster, 4, Plate, Swivel, Polyolefin	3234778	
	Casters, swivel, with brake	3234779	
	Condensate pan	1702795	
	Copper condensate look (hot gas)	158-C34-004K-S	
	Display, Blue, Danfoss	2194792	
	Door Hinge Kit - 1.3125" [1]	3234617-S	Built after 12/3/07
	Door lock	3239590	
	Full Door, S/S, left or right, edge mount hinges	000-AB9-013K-S	Built after 12/3/07
	Gasket, Full Door	1702751	Built before 12/3/07
	Gasket, full door, S/S	1702796	Built after 12/3/07
	Gasket, Half Door	1702752	Built before 12/3/07
	Gasket, half door, S/S	1702797	Built after 12/3/07
	Half Door, S/S, bottom left or right, edge mount hinges	000-AB9-013P-S	Built after 12/3/07
	Half Door, S/S, top left or right, edge mount hinges	000-AB9-013M-S	Built after 12/3/07
	Legs	3234791	
	Shelf LH, Two Section, Three Section	3978277	
	Shelf RH, Two Section, Three Section	3978278	
	Solenoid valve, used on remote units	3516041	
	Switch, rocker, door, SPDT-D8	5066440	
	Temperature Control - 115V	2194782KT-S	Built before 06/06/11

6076XL-G(H) Refrigerator Common Components

This unit has a 1 door section and a 2 door section. Be certain which section the parts are being purchased for.

Key	Description	Part #	Notes
1	Coil, Evaporator, Ref, 1 Door	3516437	
2	Temperature Control - 115V	2194811KT-S	Built after 06/06/11
2a	Temperature Control - 220V/50Hz	2194988KT-S	
3	Rocker Switch - 125V/20 amp	2190154	
4	Cord, power	2184181	
5	Motor, Fan, Bay, 3/4ST	2162715	Evaporator motor 1 door section
5a	Motor, Fan, Bay, 3/4ST - 220V/50Hz	2162719	Evaporator motor 1 door section
6	Blade, Fan, 5.56, CW	3517390	Evaporator blade 1 door section
7	Valve, refrigerant, TXV	3516429	
8	Clip, TXV bulb mounting	3516595	
9	Coil, condenser	3516427	1 door section or 2 door section
10	Shroud, condenser fan	127-C33-0030-S	2 door section
10	Shroud, condenser fan	127-C33-0036-S	1 door section
11	Fan Motor - 115V/16W	2162716	Condenser motor 2 door section
11a	Fan Motor - 220V/50Hz	2162721	Condenser motor 2 door section
11	Fan Motor - 115V	2162717	Condenser motor 1 door section
11a	Fan Motor - 220V/50Hz	2162720	Condenser motor 1 door section
12	Fan Blade - 25° x 8.75" - CW	3516432	Condenser fan blade 1 door section
12	Blade, Fan, 25	3516433	Condenser fan motor 2 door section
13	Fan Guard - Wire	2160019	
14	Compressor, Freezer, Nf5.5clx, 115v, 60hz	3526999	1 door section
14a	Compressor, 220v/50Hz - NL7CUX	3527013	1 door section
14	Compressor - 115V/60 Hz	3527000	2 door section
14a	Compressor, 50Hz - SC15CLX.2 danfoss	3527012	2 door section
15	Relay - 115V/60 Hz	3516438	Compressor 3527000 2 door section
15a	50Hz Relay and overload, Danfoss p/n	117U6003	Compressor 3527013 2 door section
15	Relay, Overload, Compressor, Freezer, Nf5.5clx	3516444	Compressor 3526999 1 door section
15a	50Hz Relay and overload, Danfoss p/n	117U6002	Compressor 3527013 1 door section
16	Start Capacitor	2194787	Compressor 3526999 1 door section
16a	50Hz Capacitor, start, 80MFD, Danfoss p/n	117U5015	Compressor 3527013 1 door section
16	Start Capacitor - 115V/60 Hz	2194788	Compressor 3527000 2 door section
16a	50Hz Capacitor, start, 80MFD, Danfoss p/n	117U5015	Compressor 3527013 2 door section
17	Filter-drier, refrigerant	3516322	
	Ballast	2198540	
	Breaker, Vacuum	3516204A	
	Bulb, fluorescent, 18" coated, F15T8	2194290	
	Cable, Display, 59	2194791	Communication cable for display
	Caster, 4, Plate, Swivel, Polyolefin	3234778	
	Casters, swivel, with brake	3234779	
	Condensate pan	1702795	
	Copper condensate look (hot gas)	158-C34-004K-S	
	Display, Blue, Danfoss	2194792	
	Door lock	3239590	
	Gasket, full door glass	1701341	Built before 12/3/07
	Gasket, full door, glass	1701901	Built after 12/3/07
	Gasket, half door glass	1701342	Built before 12/3/07
	Gasket, half door, glass	1701902	Built after 12/3/07
	Glass Door - Full - Right Hinged or Left Hinged	3455654	Built after 12/3/07
	Glass Door - Half	3455653	Built after 12/3/07
	Hinge, 1-5/16" [1]	3234617-S	Built after 12/3/07
	Lampholder	2194289	
	Legs	3234791	
	Shelf LH, Two Section, Three Section	3978277	
	Shelf RH, Two Section, Three Section	3978278	
	Shelf, One Section,	3978270	
	Solenoid valve, used on remote units	3516041	
	Switch, rocker, door, SPDT-D8	5066440	
	Temperature Control - 115V	2194782KT-S	Built before 06/06/11

6076XL-S(H) Refrigerator Common Components

This unit has a 1 door section and a 2 door section. Be certain which section the parts are being purchased for.

Key	Description	Part #	Notes
1	Coil, Evaporator, Ref, 1 Door	3516437	
2	Temperature Control - 115V	2194811KT-S	Built after 06/06/11
2a	Temperature Control - 220V/50Hz	2194988KT-S	
3	Rocker Switch - 125V/20 amp	2190154	
4	Cord, power	2184181	
5	Motor, Fan, Bay, 3/4ST	2162715	Evaporator motor
5a	Motor, Fan, Bay, 3/4ST - 220V/50Hz	2162719	Evaporator motor
6	Blade, Fan, 5.56, CW	3517390	Evaporator blade
7	Valve, refrigerant, TXV	3516429	
8	Clip, TXV bulb mounting	3516595	
9	Coil, Condenser, Large, Upright	3516427	
10	Shroud, condenser fan	127-C33-0030-S	
10	Shroud, condenser fan	127-C33-0036-S	
11	Fan Motor - 115V/16W	2162716	Condenser motor 2 door section
11a	Fan Motor - 220V/50Hz	2162721	Condenser motor 2 door section
11	Fan Motor - 115V	2162717	Condenser motor 1 door section
11a	Fan Motor - 220V/50Hz	2162720	Condenser motor 1 door section
12	Fan Blade - 25° x 8.75" - CW	3516432	Condenser fan blade 1 door section
12	Blade, Fan, 25	3516433	Condenser fan motor 2 door section
13	Fan Guard - Wire	2160019	
14	Compressor, Freezer, Nf5.5clx, 115v, 60hz	3526999	1 door section
14a	Compressor, 220v/50Hz - NL7CUX	3527013	1 door section
14	Compressor - 115V/60 Hz	3527000	2 door section
14a	Compressor, 50Hz - SC15CLX.2 danfoss	3527012	2 door section
15	Relay - 115V/60 Hz	3516438	Compressor 3527000 2 door section
15a	50Hz Relay and overload, Danfoss p/n	117U6003	Compressor 3527013 2 door section
15	Relay, Overload, Compressor, Freezer, Nf5.5clx	3516444	Compressor 3526999 1 door section
15a	50Hz Relay and overload, Danfoss p/n	117U6002	Compressor 3527013 1 door section
16	Start Capacitor	2194787	Compressor 3526999 1 door section
16a	50Hz Capacitor, start, 80MFD, Danfoss p/n	117U5015	Compressor 3527013 1 door section
16	Start Capacitor - 115V/60 Hz	2194788	Compressor 3527000 2 door section
16a	50Hz Capacitor, start, 80MFD, Danfoss p/n	117U5015	Compressor 3527013 2 door section
17	Filter-drier, refrigerant	3516322	
	Breaker, Vacuum	3516204A	
	Bulb, incandescent, 40W	2194005	
	Bulb, socket	2194145	
	Cable, Display, 59	2194791	Communication cable for display
	Caster, 4, Plate, Swivel, Polyolefin	3234778	
	Casters, swivel, with brake	3234779	
	Condensate pan	1702795	
	Copper condensate look (hot gas)	158-C34-004K-S	
	Display, Blue, Danfoss	2194792	
	Door Hinge Kit - 1.3125" [1]	3234617-S	Built after 12/3/07
	Door lock	3239590	
	Full Door, S/S, left or right, edge mount hinges	000-AB9-013K-S	Built after 12/3/07
	Gasket, Full Door	1702751	Built before 12/3/07
	Gasket, full door, S/S	1702796	Built after 12/3/07
	Gasket, Half Door	1702752	Built before 12/3/07
	Gasket, half door, S/S	1702797	Built after 12/3/07
	Half Door, S/S, bottom left or right, edge mount hinges	000-AB9-013P-S	Built after 12/3/07
	Half Door, S/S, top left or right, edge mount hinges	000-AB9-013M-S	Built after 12/3/07
	Legs	3234791	
	Shelf LH, Two Section, Three Section	3978277	
	Shelf RH, Two Section, Three Section	3978278	
	Shelf, One Section, Three Section	3978270	
	Solenoid valve, used on remote units	3516041	
	Switch, rocker, door, SPDT-D8	5066440	
	Temperature Control - 115V	2194782KT-S	Built before 06/06/11

6125XL-S(H) Freezer Common Components

Key	Description	Part #	Notes
1	Coil, evaporator	3516436	
2	Freezer Control with Probes - 120V	2194812KT-S	Built after 06/06/11
3	Switch, SPDT, Rocker, Snap-in	2194959	
4	Cord, power	2184181	
5	Motor, Fan, Bay, 3/4ST	2162715	Evaporator fan motor
5a	Motor, Fan 220V-50Hz	2162719	Evaporator fan motor
6	Blade, Fan, 5.56, CW	3517390	Evaporator fan blade
7	Valve, refrigerant, TXV	3516588	
8	Clip, TXV bulb mounting	3516595	
9	Coil, condenser	3516427	
10	Shroud, condenser fan	127-C33-0036-S	
11	Fan Motor - 115V	2162717	Condenser
11a	Fan Motor - 220V/50Hz	2162720	Condenser
12	Fan Blade - 25° x 8.75" - CW	3516432	Condenser fan blade
13	Fan Guard - Wire	2160019	
14	Compressor	3527001	
15	Relay, Compressor, SC12CLX.2	3516441	
16	Capacitor, compressor start, 240MFD	2194789	
17	Filter-drier, refrigerant	3516322	
18	Heater, Def, 400W, 115V, 1 Door	2194785	
19	Clip, defrost heater mounting	9321629	
20	Limit, High Defrost	2194953	
	Breaker, Vacuum	3516204A	
	Bulb, incandescent, 40W	2194005	
	Bulb, socket	2194145	
	Cable, Display, 59	2194791	Communication cable for display
	Casters, rigid, One section only	3235514	
	Casters, swivel, with brake	3234779	
	Condensate pan	1702795	
	CONTROL,FRZ,DANFOSS,	2194783KT-S	Built before 06/06/11
	Copper condensate look (hot gas)	158-C34-004K-S	
	Display, Blue, Danfoss	2194792	
	Door Hinge Kit - 1.3125" [1]	3234617-S	Built after 12/3/07
	Door lock	3239590	
	Full Door, S/S, left or right, edge mount hinges	000-AB9-013K-S	Built after 12/3/07
	Gasket, Full Door	1702751	Built before 12/3/07
	Gasket, full door, S/S	1702796	Built after 12/3/07
	Gasket, Half Door	1702752	Built before 12/3/07
	Gasket, half door, S/S	1702797	Built after 12/3/07
	Half Door, S/S, bottom left or right, edge mount hinges	000-AB9-013P-S	Built after 12/3/07
	Half Door, S/S, top left or right, edge mount hinges	000-AB9-013M-S	Built after 12/3/07
	Legs	3234791	
	Shelf, One Section, Three Section	3978270	
	Solenoid valve, used on remote units	3516041	
	Switch, rocker, door, SPDT-D8	5066440	

6151XL-S(H) Freezer Common Components

Key	Description	Part #	Notes
1	Coil, evaporator	3516436	
2	Freezer Control with Probes - 120V	2194812KT-S	Built after 12/3/07
3	Switch, SPDT, Rocker, Snap-in	2194959	
3a	Rocker Switch - 125V/20 amp	2190154	
4	Cord, power	2184231	Used 10/2013 and After
4a	Cord, power	2184181	Used 02/07/07-10/2013
5	Motor, Fan, Bay, 3/4ST	2162715	Evaporator fan motor
5a	Motor, Fan - 220/50Hz	2162719	Evaporator fan motor
6	Blade, Fan, 5.56, CW	3517390	Evaporator fan blade
7	Valve, refrigerant, TXV	3516588	
8	Clip, TXV bulb mounting	3516595	
9	Coil, condenser	3516427	
10	Shroud, condenser fan	127-C33-0030-S	
11	Motor, fan, 16W	2162716	Condenser
11a	Motor, fan 16W - 220V/50Hz	2162721	Condenser
12	Blade, Fan, 25	3516433	Condenser
13	Fan Guard - Wire	2160019	
14	Compressor, SC18CLX.2	3527002	
15	Capacitor, Start, Run, Assembly	3516468	
17	Filter-drier, refrigerant	3516322	
18	Heater, Def, 400W, 115V, 1 Door	2194785	
19	Clip, defrost heater mounting	9321629	
20	Limit, High Defrost	2194953	
	Breaker, Vacuum	3516204A	
	Bulb, incandescent, 40W	2194005	
	Bulb, socket	2194145	
	Cable, Display, 59	2194791	
	Caster, 4, Plate, Swivel, Polyolefin	3234778	
	Casters, swivel, with brake	3234779	
	Condensate pan	1702795	
	CONTROL,FRZ,DANFOSS,	2194783KT-S	Built before 06/06/11
	Copper condensate look (hot gas)	158-C34-004N-S	
	Display, Blue, Danfoss	2194792	
	Door Hinge Kit - 1.3125" [1]	3234617-S	Built after 12/3/07
	Door lock	3239590	
	Full Door, S/S, left or right, edge mount hinges	000-AB9-013K-S	Built after 12/3/07
	Gasket, Full Door	1702751	Built before 12/3/07
	Gasket, full door, S/S	1702796	Built after 12/3/07
	Gasket, Half Door	1702752	Built before 12/3/07
	Gasket, half door, S/S	1702797	Built after 12/3/07
	Half Door, S/S, bottom left or right, edge mount hinges	000-AB9-013P-S	Built after 12/3/07
	Half Door, S/S, top left or right, edge mount hinges	000-AB9-013M-S	Built after 12/3/07
	Legs	3234791	
	Shelf LH, Two Section, Three Section	3978277	
	Shelf RH, Two Section, Three Section	3978278	
	Solenoid valve, used on remote units	3516041	
	Switch, rocker, door, SPDT-D8	5066440	

6176XL-S(H) Freezer Common Components

This unit has a 1 door section and a 2 door section. Be certain which section the parts are being purchased for.

Key	Description	Part #	Notes
1	Coil, evaporator	3516436	
2	Freezer Control with Probes - 120V	2194812KT-S	Built after 12/3/07
3	Switch, SPDT, Rocker, Snap-in	2194959	
3a	Rocker Switch - 125V/20 amp	2190154	
4	Cord, power	2184231	Used 10/2013 and After
4a	Cord, power	2184181	Used 02/07/07-10/2013
5	Motor, Fan, Bay, 3/4ST	2162715	
5a	Motor, Fan 220V-50Hz	2162719	Evaporator fan motor
6	Blade, Fan, 5.56, CW	3517390	Evaporator blade
7	Valve, refrigerant, TXV	3516588	1 DOOR SECTION
8	Clip, TXV bulb mounting	3516595	
9	Coil, condenser	3516427	
10	Shroud, condenser fan	127-C33-0030-S	
10	Shroud, condenser fan	127-C33-0036-S	
11	Motor, fan, 16W	2162716	Condenser, 2 door section
11a	Motor, fan 16W - 220V/50Hz	2162721	Condenser, 2 door section
11	Fan Motor - 115V	2162717	Condenser, 1 door section
11a	Fan Motor - 220V/50Hz	2162720	Condenser, 1 door section
12	Fan Blade - 25° x 8.75" - CW	3516432	1 door section
12	Blade, Fan, 25	3516433	2 door section
13	Fan Guard - Wire	2160019	
14	Compressor	3527001	1 DOOR SECTION
14	Compressor, SC18CLX.2	3527002	2 DOOR SECTION
15	Relay, Compressor, SC12CLX.2	3516441	FOR 3527001
15	Capacitor, Start, Run, Assembly	3516468	FOR 3527002
16	Capacitor, compressor start, 240MFD	2194789	FOR 3527001
17	Filter-drier, refrigerant	3516322	
18	Heater, Def, 400W, 115V, 1 Door	2194785	1 DOOR SECTION
19	Clip, defrost heater mounting	9321629	
20	Limit, High Defrost	2194953	1 OR 2 DOOR
	Breaker, Vacuum	3516204A	
	Bulb, incandescent, 40W	2194005	
	Bulb, socket	2194145	
	Cable, Display, 59	2194791	Communication cable for display
	Caster, 4, Plate, Swivel, Polyolefin	3234778	
	Casters, swivel, with brake	3234779	
	Condensate pan	1702795	
	CONTROL,FRZ,DANFOSS,	2194783KT-S	Built before 06/06/11
	COPPER,CONDENSATE LOOP,SPIRAL	158-C34-004N-S	1 OR 2 DOOR
	Display, Blue, Danfoss	2194792	
	Door Hinge Kit - 1.3125" [1]	3234617-S	Built after 12/3/07
	Door lock	3239590	
	Full Door, S/S, left or right, edge mount hinges	000-AB9-013K-S	Built after 12/3/07
	Gasket, Full Door	1702751	Built before 12/3/07
	Gasket, full door, S/S	1702796	Built after 12/3/07
	Gasket, Half Door	1702752	Built before 12/3/07
	Gasket, half door, S/S	1702797	Built after 12/3/07
	Half Door, S/S, bottom left or right, edge mount hinges	000-AB9-013P-S	Built after 12/3/07
	Half Door, S/S, top left or right, edge mount hinges	000-AB9-013M-S	Built after 12/3/07
	Legs	3234791	
	Shelf, One Section, Three Section	3978270	
	Shelf LH, Two Section, Three Section	3978277	
	Shelf RH, Two Section, Three Section	3978278	
	Solenoid valve, used on remote units	3516041	
	Switch, rocker, door, SPDT-D8	5066440	



DELFIELD
980 SOUTH ISABELLA ROAD, MOUNT PLEASANT, MI 48858

800-733-8821
WWW.DELFIELD.COM



WWW.WELBILT.COM

Welbilt provides the world's top chefs, and premier chain operators or growing independents with industry leading equipment and solutions. Our cutting-edge designs and lean manufacturing tactics are powered by deep knowledge, operator insights, and culinary expertise. All of our products are backed by KitchenCare® – our aftermarket, repair, and parts service.

- ▶ CLEVELAND
- ▶ CONVOTHERM®
- ▶ DELFIELD®
- ▶ FITKITCHEN™
- ▶ FRYMASTER®
- ▶ GARLAND
- ▶ KOLPAK®
- ▶ LINCOLN
- ▶ MANITOWOC®
- ▶ MERCO®
- ▶ MERRYCHEF®
- ▶ MULTIPLEX®