

# ASM Series

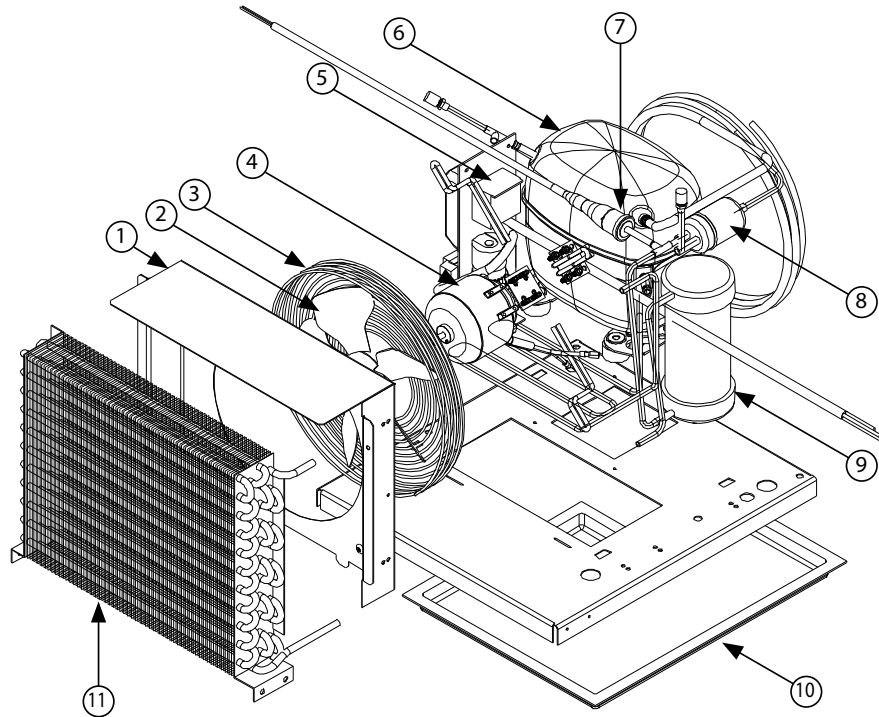
---

## Parts List

### Contents

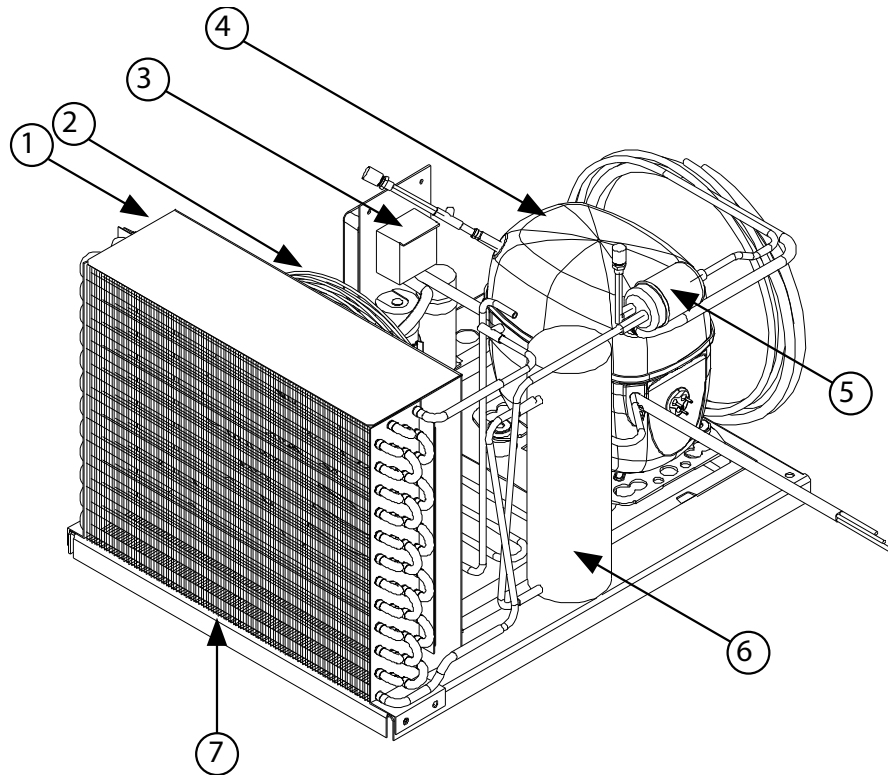
1/2 HP Condensing Unit - Common Components.....	2
3/4 HP Condensing Unit - Common Components.....	3
1 HP Condensing Unit - Common Components.....	4
Sliding Door Sets.....	5
Common Parts - All Models.....	6
Common Parts - Per Models.....	6

## 1/2 HP Condensing Unit - Common Components



Key	Description	Part #
	Condensing Unit Assembly, ASM-36, 1/2 H.P.	000-BN5-0035
1	Shroud, 1/2 HP condenser coil	026-C58-0031
2	Blade, fan 9.00", 5 pedal	3516554
3	Guard, fan, condenser, upright	2160019
4	Motor, fan, 16W, 115V	2162716
5	Capacitor, start, assembly	3516462
6	Compressor, SC12MLX, 115V/60Hz	3527026
7	High pressure switch	3516331
8	Filter dryer, (2) inlet, .25"	3516322
9	Receiver, used on models built after 9-9-15	3516659
	Receiver, used on models built before 9-9-15	3516459
10	Pan, condensate	075-231-0031
11	Coil, 1/2 HP condensing	3516455
	Control Assembly, ASM-36	000-CZ0-0032

## 3/4 HP Condensing Unit - Common Components

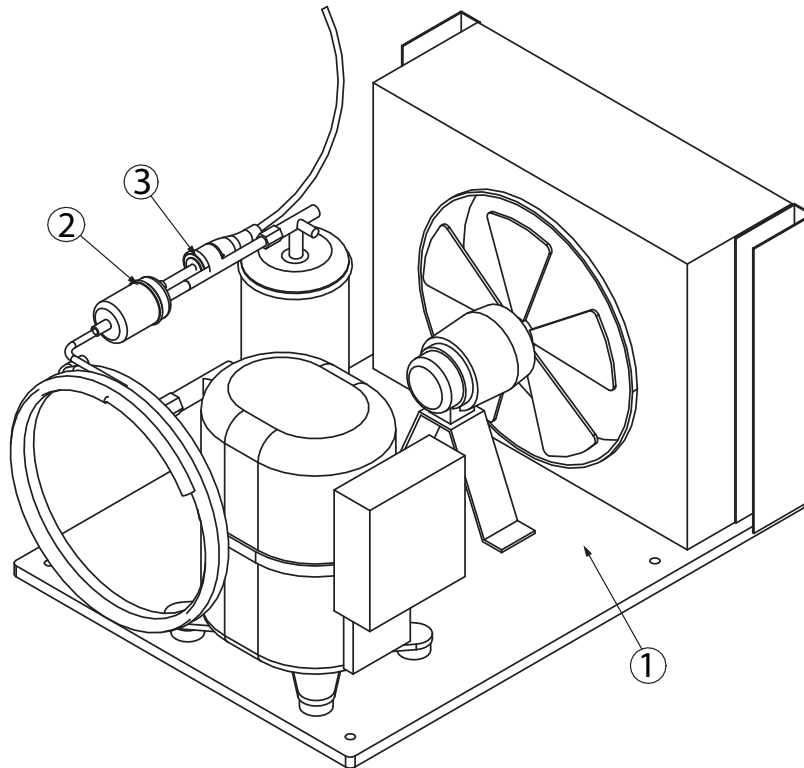


Key	Description	Part #	Note
	Condensing Unit Assembly, ASM-48, 3/4 H.P.	000-BN5-0036	
1	Shroud, 3/4 HP condenser coil	026-C58-0032	
2	Guard, fan, condenser, upright	2160019	
3	Capacitor, start, run, assembly	3516442	
4	Compressor, SC18MLX, 115V/60Hz	3527021	
5	Filter dryer, (2) inlet, .25"	3516322	
6	Tank, receiver	3516657	[A]
7	Coil, condenser, 3/4 HP	3516456	
	Pan, condensate	075-231-0031	
	Blade, fan 25°, 10", CW, upright	3516433	
	Motor, fan, 16W, 115V	2162716	
	Control Assembly, ASM-48	000-CZ0-0033	

**NOTE:** [A] Re-piping may be required for installation.

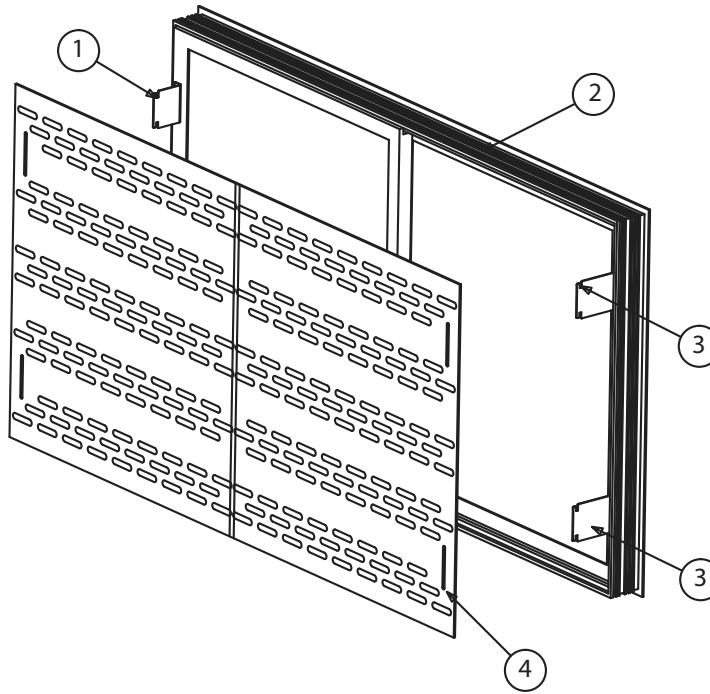
# 1 HP Condensing Unit - Common Components

**NOTE:** For replacements parts only. ASM-60 is no longer in production as of Nov. 2015.



Key	Description	Part #
	Condensing Unit Assembly, ASM-60, 1 H.P.	000-254-0005
1	Condensing Unit, 1HP	3527008
2	Filter dryer, (2) inlet, .25"	3516322
3	Switch, Hi Pressure	3516331
	Control Assembly, ASM-60	000-CZ0-0034

## Sliding Door Sets



Anthony Sliding Door Set, Call customer service with your unit serial number to confirm which sliding door set you have.

Key	Description	ASM-36 Part #	ASM-48 Part #	ASM-60* Part #
1	Plexi Airduct Bracket	263-b4g-0041	263-b4g-0041	263-b4g-0041
2 & Service parts for sliding door set	Sliding Door Set	3239663	3239662	3239661
	Bottom Track	3239709	3239704	3239699
	Bumper Gasket	3239710	3239705	3239700
	Spring	3239712	3239707	3239702
	Top Track	3239708	3239703	3239698
	Wiper Gasket	3239711	3239706	3239701
3	Plexi Airduct Bracket	263-b4g-0040	263-b4g-0040	263-b4g-0040
4	Plexi Airduct Panel	103-246-0043	103-246-0044	103-246-0045

**NOTE:** \* For replacements parts only. ASM-60 is no longer in production as of Nov. 2015.

Thermoseal Sliding Door Set, Call customer service with your unit serial number to confirm which sliding door set you have.

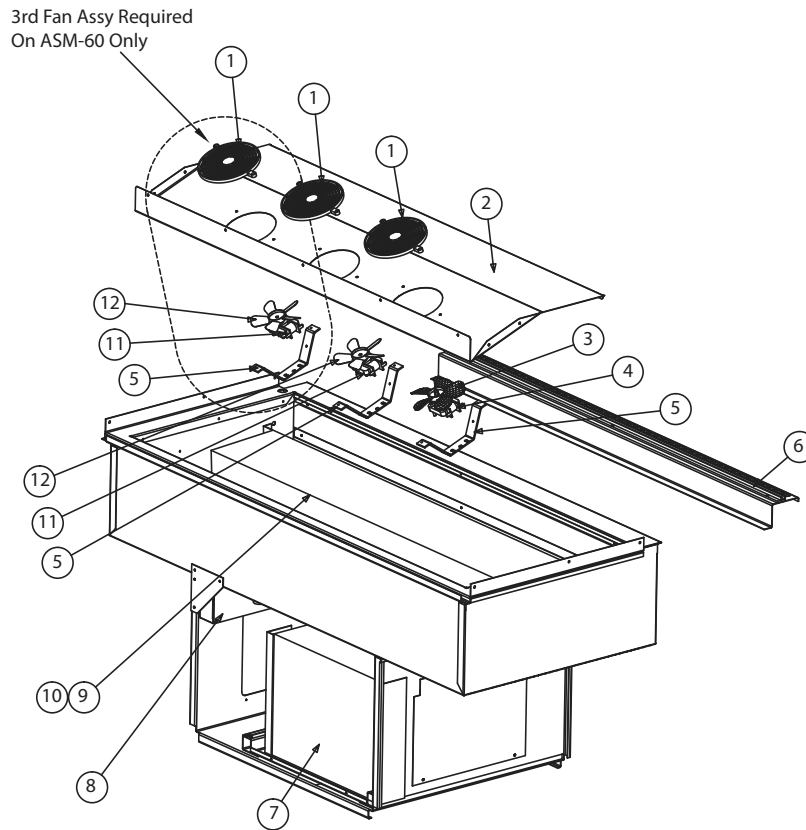
Key	Description	ASM-36 Part #	ASM-48 Part #	ASM-60* Part #
1	Plexi Airduct Bracket	263-b4g-0043	263-b4g-0043	263-b4g-0043
2 & Service parts for sliding door set	Sliding Door Set	3239726	3239727	3239728
	Lock Assembly, Door, Sliding	3239733	3239733	3239733
	Key, Lock, Door, Sliding	3239734	3239734	3239734
	Hold Open Assembly, Door, Sliding	3239735	3239735	3239735
	Door Sash Assembly, Left or Right, Black	3239736	3239737	3239738
	Door Frame Assembly, Black	3239739	3239740	3239741
	Slider Wheel with Housing Assembly	3239742	3239742	3239742
	Kerf Seal, Door, Black, 27.75" lg	3239743	3239743	3239743
	Bulbseal, Center Tower	3239744	3239744	3239744
	Bumper, Door Stop, Black	3239745	3239745	3239745
	Spring Assembly, Sliding Door, Torpedo, Black	3239746	3239746	3239747
	3	Plexi Airduct Bracket	263-b4g-0042	263-b4g-0042
4	Plexi Airduct Panel	103-246-004c	103-246-004d	103-246-004e

**NOTE:** \* For replacements parts only. ASM-60 is no longer in production as of Nov. 2015.

## Common Parts - All Models

Description	Part Number
Condensate Evaporator, 120V, Replacement part only	3239598
Condensate Evaporator, 208V, Replacement part only	3239669
Filter Dryer	3516101
High Pressure Control	3516247
Probe, Air, 118" Lg, ASM36, ASM48	2194809
Probe Assembly, Air, ASM60	000-282-008A
Probe, Defrost, 60" Lg, ASM36, ASM48	2194755
Probe, Defrost, 118" Lg, ASM60	2194808
Relay	2195088
Rocker Switch, Single	2190154
Rocker Switch, Double	TBP60137

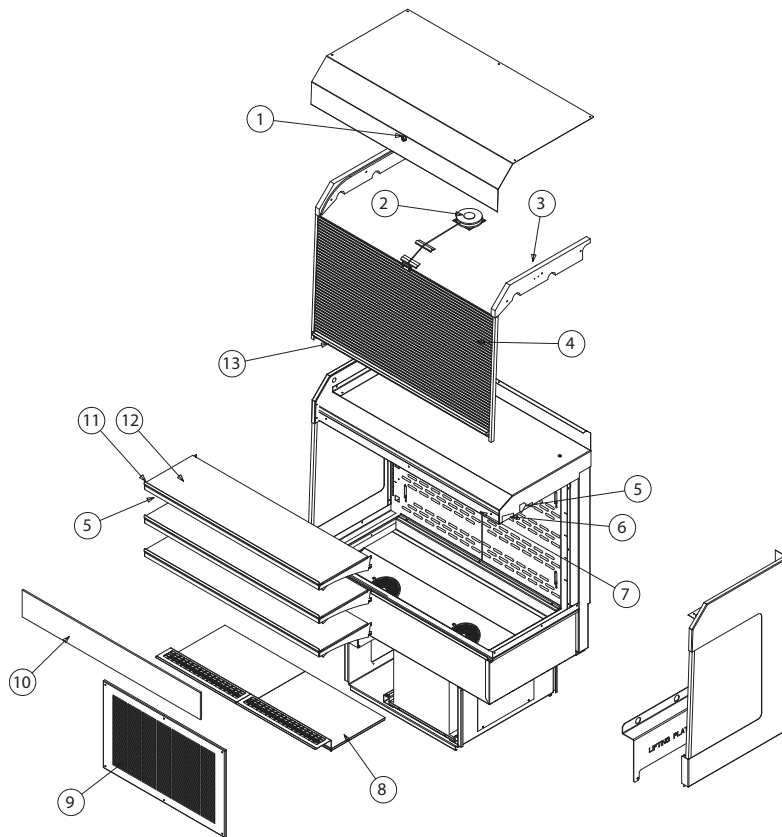
## Common Parts - Per Models



Key	Description	ASM-36 Part #	ASM-48 Part #	ASM-60* Part #
1	Evaporator Fan Guard	3516173	3516173	3516173
2	Fan Cover	019-0v1-0040	019-0v1-0041	019-0v1-0042
3	CW Black Evaporator Fan Blade	3517356	3517356	3517356
4	CCW Evaporator Fan Motor	2162693	2162693	2162693
5	Evaporator Fan Motor Bracket	031-264-0000	031-264-0000	031-264-0000
6	Sliding Door Track	327-b0v-0037	327-b0v-0036	327-b0v-0035
7	Condensing Unit Assembly	000-bn5-0035	000-bn5-0036	000-254-0005
8	Ballast	2190167	2190167	2190167
9	Evaporator Coil	3517374	3517375	3517376
10	Expansion Valve, R404A	3517379	3517379	3517380
11	CW Evaporator Fan Motor	2162691	2162691	2162691
12	CCW Clear Evaporator Fan Blade	3516172	3516172	3516172

**NOTE:** \* For replacements parts only. ASM-60 is no longer in production as of Nov. 2015.

## Common Parts - Per Models



Key	Description	ASM-36 Part #	ASM-48 Part #	ASM-60* Part #
1	Door Lock	3239673	3239673	3239673
2	Security Cover Lifting Mech,	3235065	3235065	3235065
3	Roller Lever Switch	2195304	2195304	2195304
4	Cover Assembly, Includes Handles & Lifting Mech.	3235062	3235063	3235064
	Security Cover Slat	3235068	3235068	3235068
5	Fluorescent Light Fixture, models built before 2-13-15	Contact Factory		
	Light, LED, models built after 2-13-15	2195369	2195370	2195371
6	Honeycomb Diffuser	1706117	1706117	1706117
7	Heater Wire	2186849	2186850	2186851
8	Air Diffuser Pan Assembly	000-bx4-0040	000-bx4-0041	000-bx4-0042
9	Front Louvered Panel	359-411-000k	359-411-000k	359-411-000k
10	Front Glass Deflector	3455639	3455640	3455641
11	Shelf Assembly	000-bx5-0030	000-bx5-0031	000-bx5-0032
12	Shelf Glass	3455644	3455643	3455642
13	Security Cover Handle	3235066	3235066	3235066
	Recessed Handle Pocket	3235067	3235067	3235067
	Recessed Handle End Cap	3235069	3235069	3235069

**NOTE:** \* For replacements parts only. ASM-60 is no longer in production as of Nov. 2015.

[WWW.WELBILT.COM](http://WWW.WELBILT.COM)

Welbilt provides the world's top chefs, and premier chain operators or growing independents with industry leading equipment and solutions. Our cutting-edge designs and lean manufacturing tactics are powered by deep knowledge, operator insights, and culinary expertise. All of our products are backed by KitchenCare® – our aftermarket, repair, and parts service.

- ▶ CLEVELAND
- ▶ CONVOTHERM®
- ▶ DELFIELD®
- ▶ FITKITCHEN™
- ▶ FRYMASTER®
- ▶ GARLAND
- ▶ KOLPAK®
- ▶ LINCOLN
- ▶ MANITOWOC®
- ▶ MERCER®
- ▶ MERRYCHEF®
- ▶ MULTIPLEX®