

F5 and F15 Series Refrigerated Display Cases

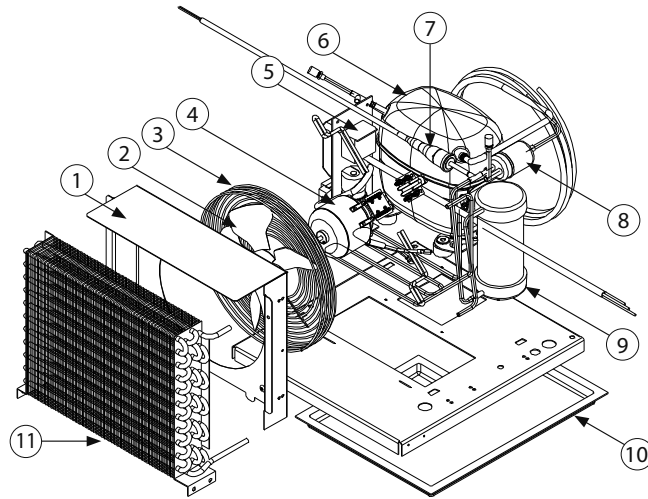
Contents

F5MC36 - Common Components.....	2
F5PC36 - Common Components.....	4
F5SC36 - Common Components.....	6
F5MC48 - Common Components.....	8
F5PC48 - Common Components.....	10
F5SC48 - Common Components.....	12
F5MC60 - Common Components.....	14
F5PC60 - Common Components.....	16
F5SC60 - Common Components.....	18
F5MC72 - Common Components.....	20
F5PC72 - Common Components.....	22
F5SC72 - Common Components.....	24
F15MC48 - Common Components.....	26
F15PC48 - Common Components.....	30
F15SC48 - Common Components.....	34
F15MC60 - Common Components.....	38
F15PC60 - Common Components.....	42
F15SC60 - Common Components.....	46
F15MC72 - Common Components.....	50
F15PC72 - Common Components.....	54
F15SC72 - Common Components.....	58

F5MC36 - Common Components

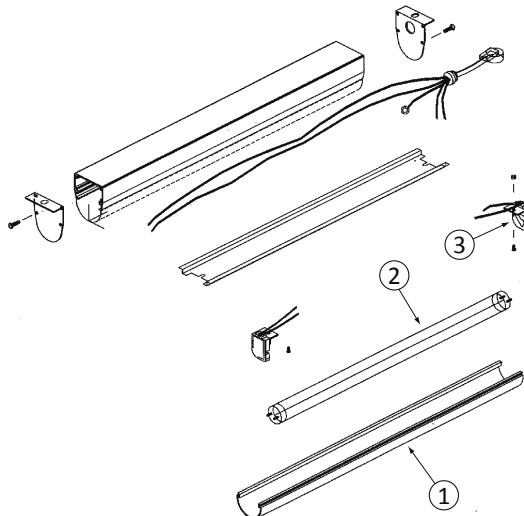
Description	Part Number	Production Note
Ballast, electronic, program start, 1Bulb	2195377	
Bracket, fan motor, blower coil	031-264-0000-S	Built before 3-6-17
Bulb Seal Sold As 5ft Piece, Thermoseal® Door	3238560	
Bumper Door Stop, Thermoseal® Door	3239745	
Coil, evaporator, 36"	3516392	
Control, Pressure, Dual	2193942	Built before 3-6-17
Door Frame, Thermoseal® Door	3238541	
Fan, Blade, 5.56", CCW, Clear	3516172-S	Built before 3-6-17
Fan, Motor, 115V 50/60	2162691-S	Built before 3-6-17
Fan, Axial, EC, 100-240V, 50/60Hz	2160045	Built after 3-6-17
Fan Guard	3516173-S	Built before 3-6-17
Fan Guard	2160024	Built after 3-6-17
Glass Door, Clear, Thermoseal® Door	3238545	
Glass Door, Reflective, Thermoseal® Door	3238549	
Harness, electrical	2184064	Built before 3-6-17
Harness, electrical	2196121	Built after 3-6-17
Hold Open Assembly, Thermoseal® Door	3239735	
Kerf Seal Sold As 6ft Piece, Thermoseal® Door	3238561	
Lock, Thermoseal® Door	3239733	
Mirror, glass, top, 36"	3455596	
Pan, drip, evaporator coil, 30" with recessed drain	000-BBO-0033-S	
Shelf wire, 21.75" x 31.25" (Mirror Back)	3978214	
Solenoid coil 120V	3516103	Built before 3-6-17
Solenoid valve	3516102	Built before 3-6-17
Switch, power	2194099	Built after 3-6-17
Switch, rocker, light, 20A/125V, 15A/250V	2190154	Built before 3-6-17
Switch, rocker, light, 3 Position	2196143	Built after 3-6-17
Thermometer, hanging, 4"	3516135	
Thermostat, in-39.5D/out-22.5D	2194536-S	Built before 3-6-17
Thermostat, Digital	000-CZO-0067KT-S	Built after 3-6-17
Valve, expansion, 1/2 ton, R404A	3516084	

F5MC36 - Condensing Unit Components



Key	Description	Part Number	Production Note
	Condensing Unit Assembly, 1/2 HP, R404A Mid Temp	000-BN5-0035-S	Built before 3-6-17
	Condensing Unit Assembly, 1/2 HP, R404A Mid Temp, EC	000-BN5-0087-S-S	Built after 3-6-17
1	Shroud, 1/2 HP condenser coil	026-C58-0031-S-S	
2	Blade, fan 9.00", 5 pedal	3516554	
3	Guard, fan, condenser, upright	2160019	
4	Motor, fan, 16W, 115V	2162716	Built before 3-6-17
4a	Motor, fan, 16W, ECM, No Plugs	2160003	Built after 3-6-17
5	Capacitor, start, assembly	3516462	
6	Compressor, SC12MLX, 115V/60Hz	3527026	
7	High pressure switch	3516331	
8	Filter dryer, (2) inlet, .25"	3516322	
9	Receiver	3516459	Built before 9-9-15
9a	Receiver	3516659	Built after 9-9-15
10	Pan, condensate	039-231-0031-S	
11	Coil, 1/2 HP condensing	3516455	

F5MC36 - Fluorescent Light Components

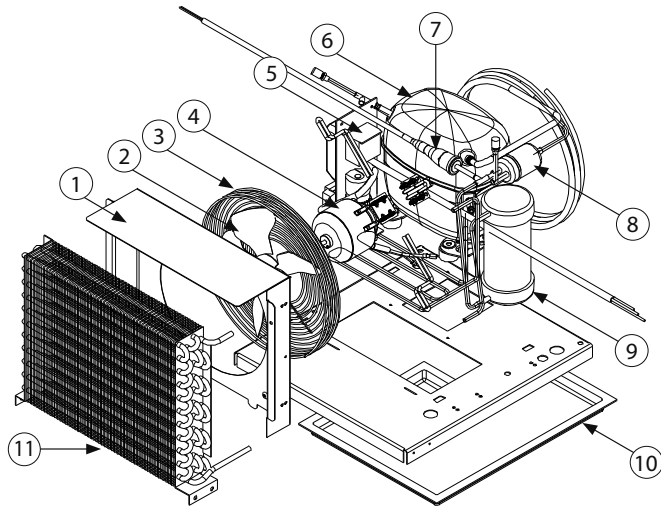


Key	Description	Part Number
	Fluorescent Light Assembly, 24.25, 3.5PIG	000-406-0030-S
	Fluorescent Light Assembly, 24.25, 9PIG	000-406-0031-S-S
1	Diffuser, fluorescent light, 24"	376-A0M-0059-S
2	Lamp, fluorescent, 24"	2193906
3	Lamp holder, 18"	2194289

F5PC36 - Common Components

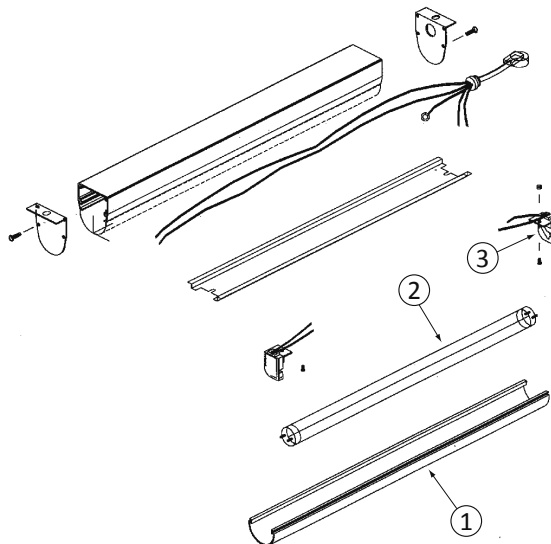
Description	Part Number	Production Note
Ballast, electronic, program start, 1Bulb	2195377	
Bracket, fan motor, blower coil	031-264-0000-S	Built before 3-6-17
Bulb Seal Sold As 5ft Piece, Thermoseal® Door	3238560	
Bumper Door Stop, Thermoseal® Door	3239745	
Coil, evaporator, 36"	3516392	
Control, Pressure, Dual	2193942	Built before 3-6-17
Door Frame, Thermoseal® Door	3238541	
Fan Blade, 5.56", CCW, Clear	3516172-S	Built before 3-6-17
Fan Motor, 115V 50/60	2162691-S	Built before 3-6-17
Fan Axial, EC, 100-240V, 50/60Hz	2160045	Built after 3-6-17
Fan Guard	3516173-S	Built before 3-6-17
Fan Guard	2160024	Built after 3-6-17
Glass Door, Clear, Thermoseal® Door	3238545	
Glass Door, Reflective, Thermoseal® Door	3238549	
Harness, electrical	2184064	Built before 3-6-17
Harness, electrical	2196121	Built after 3-6-17
Hold Open Assembly, Thermoseal® Door	3239735	
Kerf Seal Sold As 6ft Piece, Thermoseal® Door	3238561	
Lock, Thermoseal® Door	3239733	
Pan, drip, evaporator coil, 30" with recessed drain	000-BBO-0033-S	
Shelf, wire, 23.75" x 31.25" (See Thru & Pass Thru)	3978032	
Solenoid coil 120V	3516103	Built before 3-6-17
Solenoid valve	3516102	Built before 3-6-17
Switch, power	2194099	Built after 3-6-17
Switch, rocker, light, 20A/125V, 15A/250V	2190154	Built before 3-6-17
Switch, rocker, light, 3 Position	2196143	Built after 3-6-17
Thermometer, hanging, 4"	3516135	
Thermostat, in-39.5D/out-22.5D	2194536-S	Built before 3-6-17
Thermostat, Digital	000-CZ0-0067KT-S	Built after 3-6-17
Valve, expansion, 1/2 ton, R404A	3516084	

F5PC36 - Condensing Unit Components



Key	Description	Part Number	Production Note
	Condensing Unit Assembly, 1/2 HP, R404A Mid Temp	000-BN5-0035-S	Built before 3-6-17
	Condensing Unit Assembly, 1/2 HP, R404A Mid Temp, EC	000-BN5-0087-S	Built after 3-6-17
1	Shroud, 1/2 HP condenser coil	026-C58-0031-S	
2	Blade, fan 9.00", 5 pedal	3516554	
3	Guard, fan, condenser, upright	2160019	
4	Motor, fan, 16W, 115V	2162716	Built before 3-6-17
4a	Motor, fan, 16W, ECM, No Plugs	2160003	Built after 3-6-17
5	Capacitor, start, assembly	3516462	
6	Compressor, SC12MLX, 115V/60Hz	3527026	
7	High pressure switch	3516331	
8	Filter dryer, (2) inlet, .25"	3516322	
9	Receiver	3516459	Built before 9-9-15
9a	Receiver	3516659	Built after 9-9-15
10	Pan, condensate	039-231-0031-S	
11	Coil, 1/2 HP condensing	3516455	

F5PC36 - Fluorescent Light Components

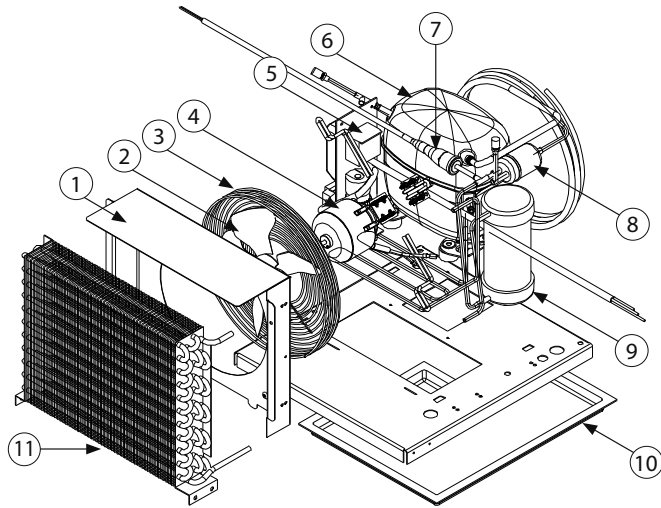


Key	Description	Part Number
	Fluorescent Light Assembly, 24.25, 9PIG	000-406-003J-S
1	Diffuser, fluorescent light, 24"	376-A0M-0059-S
2	Lamp, fluorescent, 24"	2193906
3	Lamp holder, 18"	2194289

F5SC36 - Common Components

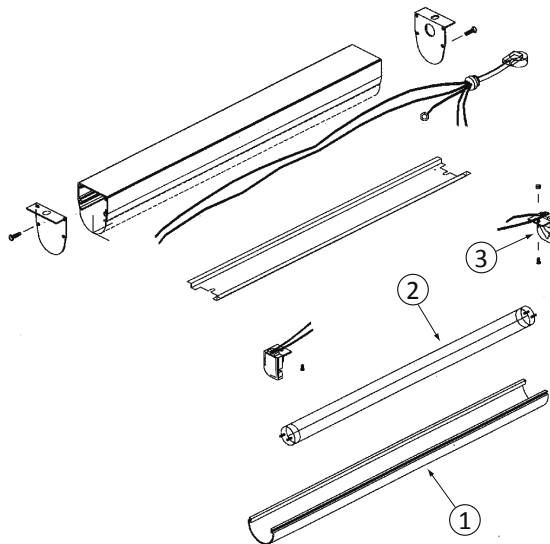
Description	Part Number	Production Note
Ballast, electronic, program start, 1Bulb	2195377	
Bracket, fan motor, blower coil	031-264-0000-S	Built before 3-6-17
Bulb Seal Sold As 5ft Piece, Thermoseal® Door	3238560	
Bumper Door Stop, Thermoseal® Door	3239745	
Coil, evaporator, 36"	3516392	
Control, Pressure, Dual	2193942	Built before 3-6-17
Door Frame, Thermoseal® Door	3238541	
Fan Blade, 5.56", CCW, Clear	3516172-S	Built before 3-6-17
Fan Motor, 115V 50/60	2162691-S	Built before 3-6-17
Fan Axial, EC, 100-240V, 50/60Hz	2160045	Built after 3-6-17
Fan Guard	3516173-S	Built before 3-6-17
Fan Guard	2160024	Built after 3-6-17
Glass Door, Clear, Thermoseal® Door	3238545	
Glass Door, Reflective, Thermoseal® Door	3238549	
Harness, electrical	2184064	Built before 3-6-17
Harness, electrical	2196121	Built after 3-6-17
Hold Open Assembly, Thermoseal® Door	3239735	
Kerf Seal Sold As 6ft Piece, Thermoseal® Door	3238561	
Lock, Thermoseal® Door	3239733	
Pan, drip, evaporator coil, 30" with recessed drain	000-BBO-0033-S	
Shelf, wire, 23.75" x 31.25" (See Thru & Pass Thru)	3978032	
Solenoid coil 120V	3516103	Built before 3-6-17
Solenoid valve	3516102	Built before 3-6-17
Switch, power	2194099	Built after 3-6-17
Switch, rocker, light, 20A/125V, 15A/250V	2190154	Built before 3-6-17
Switch, rocker, light, 3 Position	2196143	Built after 3-6-17
Thermometer, hanging, 4"	3516135	
Thermostat, in-39.5D/out-22.5D	2194536-S	Built before 3-6-17
Thermostat, Digital	000-CZ0-0067KT-S	Built after 3-6-17
Valve, expansion, 1/2 ton, R404A	3516084	

F5SC36 - Condensing Unit Components



Key	Description	Part Number	Production Note
	Condensing Unit Assembly, 1/2 HP, R404A Mid Temp	000-BN5-0035-S	Built before 3-6-17
	Condensing Unit Assembly, 1/2 HP, R404A Mid Temp, EC	000-BN5-0087-S	Built after 3-6-17
1	Shroud, 1/2 HP condenser coil	026-C58-0031-S	
2	Blade, fan 9.00", 5 pedal	3516554	
3	Guard, fan, condenser, upright	2160019	
4	Motor, fan, 16W, 115V	2162716	Built before 3-6-17
4a	Motor, fan, 16W, ECM, No Plugs	2160003	Built after 3-6-17
5	Capacitor, start, assembly	3516462	
6	Compressor, SC12MLX, 115V/60Hz	3527026	
7	High pressure switch	3516331	
8	Filter dryer, (2) inlet, .25"	3516322	
9	Receiver	3516459	Built before 9-9-15
9a	Receiver	3516659	Built after 9-9-15
10	Pan, condensate	039-231-0031-S	
11	Coil, 1/2 HP condensing	3516455	

F5SC36 - Fluorescent Light Components

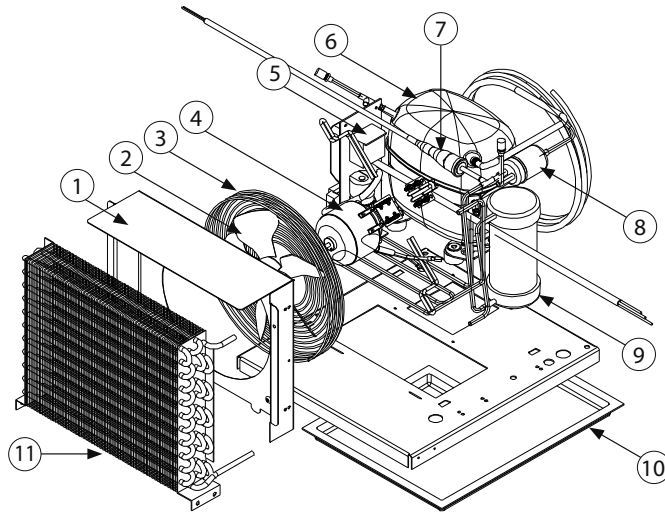


Key	Description	Part Number
	Fluorescent Light Assembly, 24.25, 9PIG	000-406-003J-S
1	Diffuser, fluorescent light, 24"	376-A0M-0059-S
2	Lamp, fluorescent, 24"	2193906
3	Lamp holder, 18"	2194289

F5MC48 - Common Components

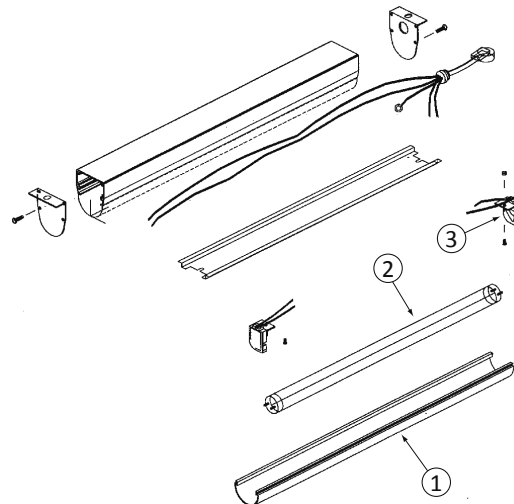
Description	Part Number	Production Note
Ballast, electronic, program start, 1Bulb	2195377	
Bearing, roller, single, Anthony® door	3234636	Built before 3-6-17
Bracket, fan motor, blower coil	031-264-0000-S	Built before 3-6-17
Bulb Seal Sold As 5ft Piece, Thermoseal® door	3238560	Built after 3-6-17
Bumper Door Stop, Thermoseal® door	3239745	Built after 3-6-17
Coil, evaporator, 48" & 60"	3516090	
Control, Pressure, Dual	2193942	Built before 3-6-17
Door Frame, Thermoseal® door	3238542	Built after 3-6-17
Fan Blade, 5.56", CCW, Clear	3516172-S	Built before 3-6-17
Fan Motor, 115V 50/60	2162691-S	Built before 3-6-17
Fan Axial, EC, 100-240V, 50/60Hz	2160045	Built after 3-6-17
Fan Guard	3516173-S	Built before 3-6-17
Fan Guard	2160024	Built after 3-6-17
Gasket, bumper, 31 13/16", Anthony® door	3234808	Built before 3-6-17
Gasket, wiper strip, 30 3/8", Anthony® door	3234809	Built before 3-6-17
Glass Door, Clear, Thermoseal® door	3238546	Built after 3-6-17
Glass Door, Reflective, Thermoseal® door	3238550	Built after 3-6-17
Harness, electrical	2184064	Built before 3-6-17
Harness, electrical	2196121	Built after 3-6-17
Hold Open Assembly, Thermoseal® door	3239735	Built after 3-6-17
Kerf Seal Sold As 6ft Piece, Thermoseal® door	3238561	Built after 3-6-17
Lock, Anthony® door	3233986	Built before 2007
Lock, Anthony® door	3237549	Built between 2007 & 3-6-17
Lock, Thermoseal® door	3239733	Built after 3-6-17
Mirror, glass, top, 48"	3455417	
Pan, drip, evaporator coil, 42" with flat bottom	039-304-0030-S	
Pan, drip, evaporator coil, 42" with recessed drain	000-BBO-0030-S	
See through panel, Anthony® door	3455397	Built before 3-6-17
Shelf, wire, 15.75" x 43.25" (Mirror Back)	3977993	
Shelf, wire, 21.75" x 43.25" (Mirror Back)	3978025	
Solenoid coil 120V	3516103	Built before 3-6-17
Solenoid valve	3516102	Built before 3-6-17
Spring, 17" gold, Anthony® door	3234810	Built before 3-6-17
Switch, power	2194099	Built after 3-6-17
Switch, rocker, light, 20A/125V, 15A/250V	2190154	Built before 3-6-17
Switch, rocker, light, 3 Position	2196143	Built after 3-6-17
Thermometer, hanging, 4"	3516135	
Thermostat, in-39.5D/out-22.5D	2194536-S	Built before 3-6-17
Thermostat, Digital	000-CZ0-0067KT-S	Built after 3-6-17
Track, bottom, 43 7/16", Anthony® door	3234803	Built before 3-6-17
Track, top, 44 7/16", Anthony® door	3234800	Built before 3-6-17
Valve, expansion, 1/2 ton, R404A	3516084	

F5MC48 - Condensing Unit Components



Key	Description	Part Number	Production Note
	Condensing Unit Assembly, 1/2 HP, R404A Mid Temp	000-BN5-0035-S	Built before 3-6-17
	Condensing Unit Assembly, 1/2 HP, R404A Mid Temp, EC	000-BN5-0087-S	Built after 3-6-17
1	Shroud, 1/2 HP condenser coil	026-C58-0031-S	
2	Blade, fan 9.00", 5 pedal	3516554	
3	Guard, fan, condenser, upright	2160019	
4	Motor, fan, 16W, 115V	2162716	Built before 3-6-17
4a	Motor, fan, 16W, ECM, No Plugs	2160003	Built after 3-6-17
5	Capacitor, start, assembly	3516462	
6	Compressor, SC12MLX, 115V/60Hz	3527026	
7	High pressure switch	3516331	
8	Filter dryer, (2) inlet, .25"	3516322	
9	Receiver	3516459	Built before 9-9-15
9a	Receiver	3516659	Built after 9-9-15
10	Pan, condensate	039-231-0031-S	
11	Coil, 1/2 HP condensing	3516455	

F5MC48 - Fluorescent Light Components

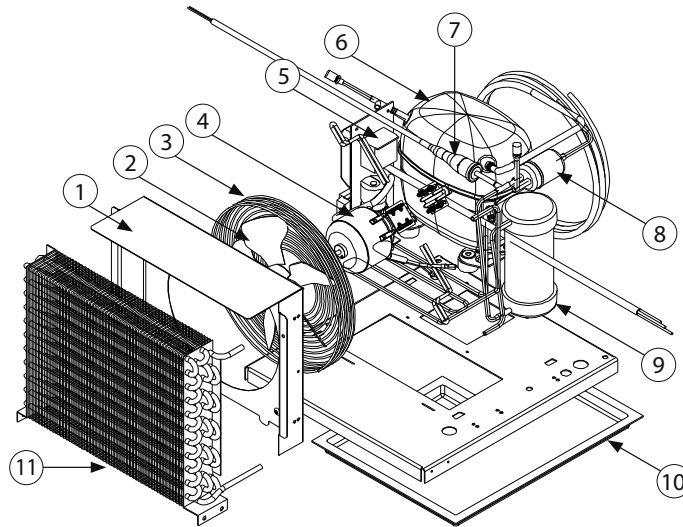


Key	Description	Part Number
	Fluorescent Light Assembly, 36.25, 3.5PIG	000-406-003P-S
	Fluorescent Light Assembly, 36.25, 9PIG	000-406-003K-S
1	Diffuser, fluorescent light, 36"	376-A0M-005A-S
2	Lamp, fluorescent, 36"	2193907
3	Lamp holder, 18"	2194289

F5PC48 - Common Components

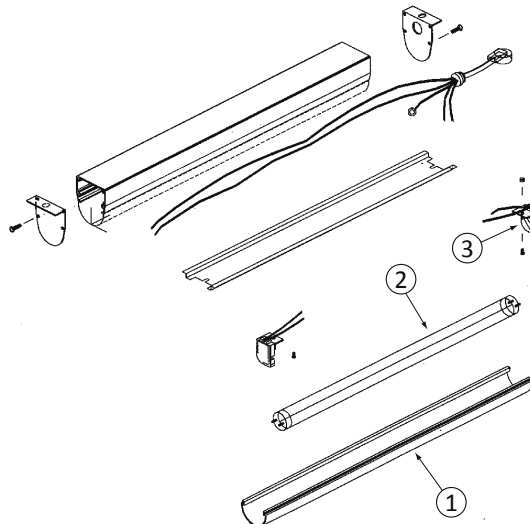
Description	Part Number	Production Note
Ballast, electronic, program start, 1Bulb	2195377	
Bearing, roller, single, Anthony® door	3234636	Built before 3-6-17
Bracket, fan motor, blower coil	031-264-0000-S	Built before 3-6-17
Bulb Seal Sold As 5ft Piece, Thermoseal® door	3238560	Built after 3-6-17
Bumper Door Stop, Thermoseal® door	3239745	Built after 3-6-17
Coil, evaporator, 48" & 60"	3516090	
Control, Pressure, Dual	2193942	Built before 3-6-17
Door Frame, Thermoseal® door	3238542	Built after 3-6-17
Fan Blade, 5.56", CCW, Clear	3516172-S	Built before 3-6-17
Fan Motor, 115V 50/60	2162691-S	Built before 3-6-17
Fan Axial, EC, 100-240V, 50/60Hz	2160045	Built after 3-6-17
Fan Guard	3516173-S	Built before 3-6-17
Fan Guard	2160024	Built after 3-6-17
Gasket, bumper, 31 13/16", Anthony® door	3234808	Built before 3-6-17
Gasket, wiper strip, 30 3/8", Anthony® door	3234809	Built before 3-6-17
Glass Door, Clear, Thermoseal® door	3238546	Built after 3-6-17
Glass Door, Reflective, Thermoseal® door	3238550	Built after 3-6-17
Harness, electrical	2184064	Built before 3-6-17
Harness, electrical	2196121	Built after 3-6-17
Hold Open Assembly, Thermoseal® door	3239735	Built after 3-6-17
Kerf Seal Sold As 6ft Piece, Thermoseal® door	3238561	Built after 3-6-17
Lock, Anthony® door	3233986	Built before 2007
Lock, Anthony® door	3237549	Built between 2007 & 3-6-17
Lock, Thermoseal® door	3239733	Built after 3-6-17
Pan, drip, evaporator coil, 42" with flat bottom	039-304-0030-S	
Pan, drip, evaporator coil, 42" with recessed drain	000-BBO-0030-S	
See through panel, Anthony® door	3455397	Built before 3-6-17
Shelf, wire, 17.75" x 43.25" (See Thru & Pass Thru)	3978026	
Shelf, wire, 23.75" x 43.25" (See Thru & Pass Thru)	3978027	
Solenoid coil 120V	3516103	Built before 3-6-17
Solenoid valve	3516102	Built before 3-6-17
Spring, 17" gold, Anthony® door	3234810	Built before 3-6-17
Switch, power	2194099	Built after 3-6-17
Switch, rocker, light, 20A/125V, 15A/250V	2190154	Built before 3-6-17
Switch, rocker, light, 3 Position	2196143	Built after 3-6-17
Thermometer, hanging, 4"	3516135	
Thermostat, in-39.5D/out-22.5D	2194536-S	Built before 3-6-17
Thermostat, Digital	000-CZ0-0067KT-S	Built after 3-6-17
Track, bottom, 43 7/16", Anthony® door	3234803	Built before 3-6-17
Track, top, 44 7/16", Anthony® door	3234800	Built before 3-6-17
Valve, expansion, 1/2 ton, R404A	3516084	

F5PC48 - Condensing Unit Components



Key	Description	Part Number	Production Note
	Condensing Unit Assembly, 1/2 HP, R404A Mid Temp	000-BN5-0035-S	Built before 3-6-17
	Condensing Unit Assembly, 1/2 HP, R404A Mid Temp, EC	000-BN5-0087-S	Built after 3-6-17
1	Shroud, 1/2 HP condenser coil	026-C58-0031-S	
2	Blade, fan 9.00", 5 pedal	3516554	
3	Guard, fan, condenser, upright	2160019	
4	Motor, fan, 16W, 115V	2162716	Built before 3-6-17
4a	Motor, fan, 16W, ECM, No Plugs	2160003	Built after 3-6-17
5	Capacitor, start, assembly	3516462	
6	Compressor, SC12MLX, 115V/60Hz	3527026	
7	High pressure switch	3516331	
8	Filter dryer, (2) inlet, .25"	3516322	
9	Receiver	3516459	Built before 9-9-15
9a	Receiver	3516659	Built after 9-9-15
10	Pan, condensate	039-231-0031-S	
11	Coil, 1/2 HP condensing	3516455	

F5PC48 - Fluorescent Light Components

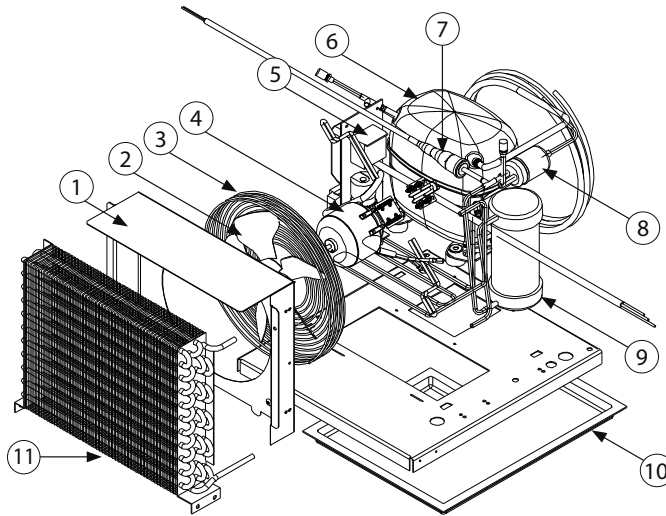


Key	Description	Part Number
	Fluorescent Light Assembly, 36.25, 9PIG	000-406-003K-S
1	Diffuser, fluorescent light, 36"	376-A0M-005A-S
2	Lamp, fluorescent, 36"	2193907
3	Lamp holder, 18"	2194289

F5SC48 - Common Components

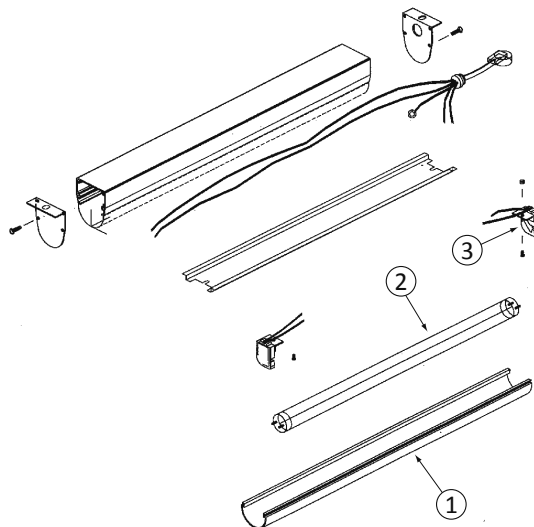
Description	Part Number	Production Note
Ballast, electronic, program start, 1Bulb	2195377	
Bearing, roller, single, Anthony® door	3234636	Built before 3-6-17
Bracket, fan motor, blower coil	031-264-0000-S	Built before 3-6-17
Bulb Seal Sold As 5ft Piece, Thermoseal® door	3238560	Built after 3-6-17
Bumper Door Stop, Thermoseal® door	3239745	Built after 3-6-17
Coil, evaporator, 48" & 60"	3516090	
Control, Pressure, Dual	2193942	Built before 3-6-17
Door Frame, Thermoseal® door	3238542	Built after 3-6-17
Fan Blade, 5.56", CCW, Clear	3516172-S	Built before 3-6-17
Fan Motor, 115V 50/60	2162691-S	Built before 3-6-17
Fan Axial, EC, 100-240V, 50/60Hz	2160045	Built after 3-6-17
Fan Guard	3516173-S	Built before 3-6-17
Fan Guard	2160024	Built after 3-6-17
Gasket, bumper, 31 13/16", Anthony® door	3234808	Built before 3-6-17
Gasket, wiper strip, 30 3/8", Anthony® door	3234809	Built before 3-6-17
Glass Door, Clear, Thermoseal® door	3238546	Built after 3-6-17
Glass Door, Reflective, Thermoseal® door	3238550	Built after 3-6-17
Harness, electrical	2184064	Built before 3-6-17
Harness, electrical	2196121	Built after 3-6-17
Hold Open Assembly, Thermoseal® door	3239735	Built after 3-6-17
Kerf Seal Sold As 6ft Piece, Thermoseal® door	3238561	Built after 3-6-17
Lock, Anthony® door	3233986	Built before 2007
Lock, Anthony® door	3237549	Built between 2007 & 3-6-17
Lock, Thermoseal® door	3239733	Built after 3-6-17
Pan, drip, evaporator coil, 42" with flat bottom	039-304-0030-S	
Pan, drip, evaporator coil, 42" with recessed drain	000-BBO-0030-S	
See through panel, Anthony® door	3455397	Built before 3-6-17
Shelf, wire, 17.75" x 43.25" (See Thru & Pass Thru)	3978026	
Shelf, wire, 23.75" x 43.25" (See Thru & Pass Thru)	3978027	
Solenoid coil 120V	3516103	Built before 3-6-17
Solenoid valve	3516102	Built before 3-6-17
Spring, 17" gold, Anthony® door	3234810	Built before 3-6-17
Switch, power	2194099	Built after 3-6-17
Switch, rocker, light, 20A/125V, 15A/250V	2190154	Built before 3-6-17
Switch, rocker, light, 3 Position	2196143	Built after 3-6-17
Thermometer, hanging, 4"	3516135	
Thermostat, in-39.5D/out-22.5D	2194536-S	Built before 3-6-17
Thermostat, Digital	000-CZ0-0067KT-S	Built after 3-6-17
Track, bottom, 43 7/16", Anthony® door	3234803	Built before 3-6-17
Track, top, 44 7/16", Anthony® door	3234800	Built before 3-6-17
Valve, expansion, 1/2 ton, R404A	3516084	

F5SC48 - Condensing Unit Components



Key	Description	Part Number	Production Note
	Condensing Unit Assembly, 1/2 HP, R404A Mid Temp	000-BN5-0035-S	Built before 3-6-17
	Condensing Unit Assembly, 1/2 HP, R404A Mid Temp, EC	000-BN5-0087-S	Built after 3-6-17
1	Shroud, 1/2 HP condenser coil	026-C58-0031-S	
2	Blade, fan 9.00", 5 pedal	3516554	
3	Guard, fan, condenser, upright	2160019	
4	Motor, fan, 16W, 115V	2162716	Built before 3-6-17
4a	Motor, fan, 16W, ECM, No Plugs	2160003	Built after 3-6-17
5	Capacitor, start, assembly	3516462	
6	Compressor, SC12MLX, 115V/60Hz	3527026	
7	High pressure switch	3516331	
8	Filter dryer, (2) inlet, .25"	3516322	
9	Receiver	3516459	Built before 9-9-15
9a	Receiver	3516659	Built after 9-9-15
10	Pan, condensate	039-231-0031-S	
11	Coil, 1/2 HP condensing	3516455	

F5SC48 - Fluorescent Light Components

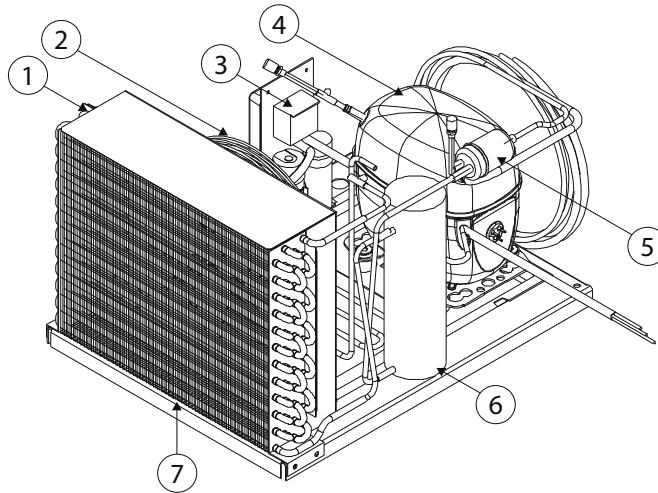


Key	Description	Part Number
	Fluorescent Light Assembly, 36.25, 9PIG	000-406-003K-S
1	Diffuser, fluorescent light, 36"	376-A0M-005A-S
2	Lamp, fluorescent, 36"	2193907
3	Lamp holder, 18"	2194289

F5MC60 - Common Components

Description	Part Number	Production Note
Ballast, electronic, program start, 1Bulb	2195377	
Bracket, fan motor, blower coil	031-264-0000-S	Built before 3-6-17
Bulb Seal Sold As 5ft Piece, Thermoseal® Door	3238560	
Bumper Door Stop, Thermoseal® Door	3239745	
Coil, evaporator, 48" & 60"	3516090	
Control, Pressure, Dual	2193942	Built before 3-6-17
Control, Pressure, High	3516247	Built after 3-6-17
Door Frame, Thermoseal® Door	3238543	
Fan Blade, 5.56", CCW, Clear	3516172-S	Built before 3-6-17
Fan Motor, 115V 50/60	2162691-S	Built before 3-6-17
Fan Axial, EC, 100-240V, 50/60Hz	2160045	Built after 3-6-17
Fan Guard	3516173-S	Built before 3-6-17
Fan Guard	2160024	Built after 3-6-17
Glass Door, Clear, Thermoseal® Door	3238547	
Glass Door, Reflective, Thermoseal® Door	3238551	
Harness, electrical	2184064	Built before 3-6-17
Harness, electrical	2196121	Built after 3-6-17
Hold Open Assembly, Thermoseal® Door	3239735	
Kerf Seal Sold As 6ft Piece, Thermoseal® Door	3238561	
Lock, Thermoseal® Door	3239733	
Mirror, glass, top, 60"	3455318	
Pan, drip, evaporator coil, 54" with recessed drain	000-BBO-0031-S	
Shelf, wire, 21.75" x 55.25" (Mirror Back)	3977977	
Solenoid coil 120V	3516103	Built before 3-6-17
Solenoid valve	3516102	Built before 3-6-17
Switch, power	2194099	Built after 3-6-17
Switch, rocker, light, 20A/125V, 15A/250V	2190154	Built before 3-6-17
Switch, rocker, light, 3 Position	2196143	Built after 3-6-17
Thermometer, hanging, 4"	3516135	
Thermostat, in-39.5D/out-22.5D	2194536-S	Built before 3-6-17
Thermostat, Digital	000-CZ0-0067KT-S	Built after 3-6-17
Valve, expansion, 1/2 ton, R404A	3516084	

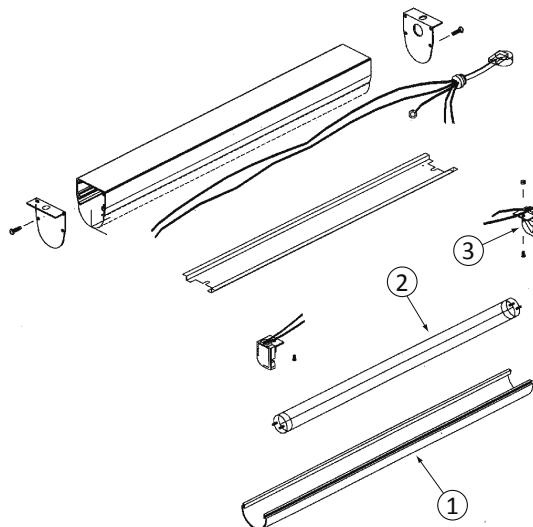
F5MC60 - Condensing Unit Components



Key	Description	Part Number	Production Note	Note
	Condensing Unit Assembly, 3/4 HP, R404A	000-BN5-0036-S	Built before 3-6-17	
	Condensing Unit Assembly, 3/4 HP, R404A	000-BN5-007R-S	Built after 3-6-17	
1	Shroud, 3/4 HP condenser coil	026-C58-0032-S		
2	Guard, fan, condenser, upright	2160019		
3	Capacitor, start, run, assembly	3516468		
4	Compressor, SC18MLX, 115V/60Hz	3527021		
5	Filter dryer, (2) inlet, .25"	3516322		
6	Tank, receiver	3516657	Built before 3-6-17	[F]
6a	Tank, receiver	3516590	Built after 3-6-17	
7	Coil, condenser, 3/4 HP	3516456		
	Pan, condensate	039-231-0031-S		
	Blade, fan 25°, 10", CW, upright	3516433		
	Motor, fan, 16W, 115V	2162716	Built before 3-6-17	
	Motor, fan, 16W, ECM, No Plugs	2160003	Built after 3-6-17	

NOTE: [F] Re-piping may be required for installation.

F5MC60 - Fluorescent Light Components

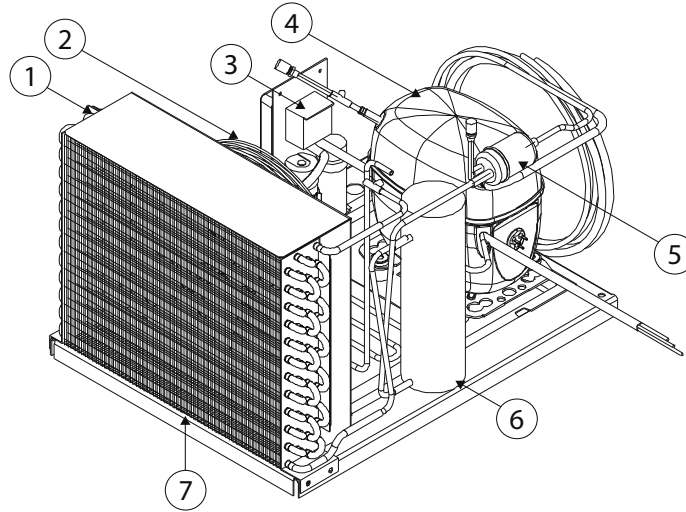


Key	Description	Part Number
	Fluorescent Light Assembly, 48.25, 3.5PIG	000-406-003Q-S
	Fluorescent Light Assembly, 48.25, 9PIG	000-406-003L-S
1	Diffuser, fluorescent light, 48"	376-A0M-005B-S
2	Lamp, fluorescent, 48"	2193908
3	Lamp holder, 18"	2194289

F5PC60 - Common Components

Description	Part Number	Production Note
Ballast, electronic, program start, 1Bulb	2195377	
Bracket, fan motor, blower coil	031-264-0000-S	Built before 3-6-17
Bulb Seal Sold As 5ft Piece, Thermoseal® Door	3238560	
Bumper Door Stop, Thermoseal® Door	3239745	
Coil, evaporator, 48" & 60"	3516090	
Control, Pressure, Dual	2193942	Built before 3-6-17
Control, Pressure, High	3516247	Built after 3-6-17
Door Frame, Thermoseal® Door	3238543	
Fan Blade, 5.56", CCW, Clear	3516172-S	Built before 3-6-17
Fan Motor, 115V 50/60	2162691-S	Built before 3-6-17
Fan Axial, EC, 100-240V, 50/60Hz	2160045	Built after 3-6-17
Fan Guard	3516173-S	Built before 3-6-17
Fan Guard	2160024	Built after 3-6-17
Glass Door, Clear, Thermoseal® Door	3238547	
Glass Door, Reflective, Thermoseal® Door	3238551	
Harness, electrical	2184064	Built before 3-6-17
Harness, electrical	2196121	Built after 3-6-17
Hold Open Assembly, Thermoseal® Door	3239735	
Kerf Seal Sold As 6ft Piece, Thermoseal® Door	3238561	
Lock, Thermoseal® Door	3239733	
Pan, drip, evaporator coil, 54" with recessed drain	000-BBO-0031-S	
Shelf, wire, 23.78" x 55.25" (See Thru & Pass Thru)	3977975	
Solenoid coil 120V	3516103	Built before 3-6-17
Solenoid valve	3516102	Built before 3-6-17
Switch, power	2194099	Built after 3-6-17
Switch, rocker, light, 20A/125V, 15A/250V	2190154	Built before 3-6-17
Switch, rocker, light, 3 Position	2196143	Built after 3-6-17
Thermometer, hanging, 4"	3516135	
Thermostat, in-39.5D/out-22.5D	2194536-S	Built before 3-6-17
Thermostat, Digital	000-CZO-0067KT-S	Built after 3-6-17
Valve, expansion, 1/2 ton, R404A	3516084	

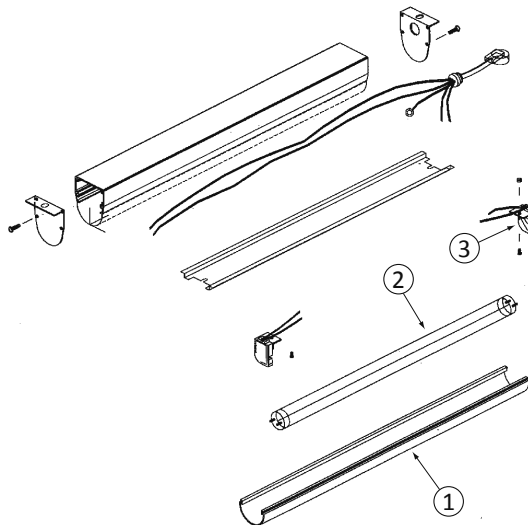
F5PC60 - Condensing Unit Components



Key	Description	Part Number	Production Note	Note
	Condensing Unit Assembly, 3/4 HP, R404A	000-BN5-0036-S	Built before 3-6-17	
	Condensing Unit Assembly, 3/4 HP, R404A	000-BN5-007R-S	Built after 3-6-17	
1	Shroud, 3/4 HP condenser coil	026-C58-0032-S		
2	Guard, fan, condenser, upright	2160019		
3	Capacitor, start, run, assembly	3516468		
4	Compressor, SC18MLX, 115V/60Hz	3527021		
5	Filter dryer, (2) inlet, .25"	3516322		
6	Tank, receiver	3516657	Built before 3-6-17	[F]
6a	Tank, receiver	3516590	Built after 3-6-17	
7	Coil, condenser, 3/4 HP	3516456		
	Pan, condensate	039-231-0031-S		
	Blade, fan 25°, 10", CW, upright	3516433		
	Motor, fan, 16W, 115V	2162716	Built before 3-6-17	
	Motor, fan, 16W, ECM, No Plugs	2160003	Built after 3-6-17	

NOTE: [F] Re-piping may be required for installation.

F5PC60 - Fluorescent Light Components

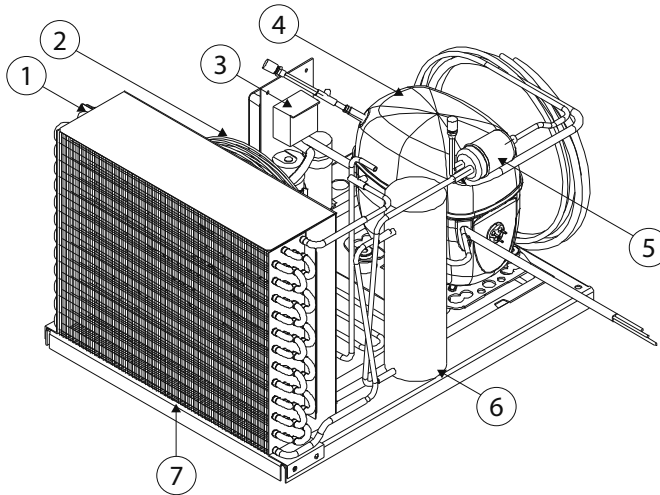


Key	Description	Part Number
	Fluorescent Light Assembly, 48.25, 9PIG	000-406-003L-S
1	Diffuser, fluorescent light, 48"	376-A0M-005B-S
2	Lamp, fluorescent, 48"	2193908
3	Lamp holder, 18"	2194289

F5SC60 - Common Components

Description	Part Number	Production Note
Ballast, electronic, program start, 1Bulb	2195377	
Bracket, fan motor, blower coil	031-264-0000-S	Built before 3-6-17
Bulb Seal Sold As 5ft Piece, Thermoseal® Door	3238560	
Bumper Door Stop, Thermoseal® Door	3239745	
Coil, evaporator, 48" & 60"	3516090	
Control, Pressure, Dual	2193942	Built before 3-6-17
Control, Pressure, High	3516247	Built after 3-6-17
Door Frame, Thermoseal® Door	3238543	
Fan Blade, 5.56", CCW, Clear	3516172-S	Built before 3-6-17
Fan Motor, 115V 50/60	2162691-S	Built before 3-6-17
Fan Axial, EC, 100-240V, 50/60Hz	2160045	Built after 3-6-17
Fan Guard	3516173-S	Built before 3-6-17
Fan Guard	2160024	Built after 3-6-17
Glass Door, Clear, Thermoseal® Door	3238547	
Glass Door, Reflective, Thermoseal® Door	3238551	
Harness, electrical	2184064	Built before 3-6-17
Harness, electrical	2196121	Built after 3-6-17
Hold Open Assembly, Thermoseal® Door	3239735	
Kerf Seal Sold As 6ft Piece, Thermoseal® Door	3238561	
Lock, Thermoseal® Door	3239733	
Pan, drip, evaporator coil, 54" with recessed drain	000-BBO-0031-S	
Shelf, wire, 23.78" x 55.25" (See Thru & Pass Thru)	3977975	
Solenoid coil 120V	3516103	Built before 3-6-17
Solenoid valve	3516102	Built before 3-6-17
Switch, power	2194099	Built after 3-6-17
Switch, rocker, light, 20A/125V, 15A/250V	2190154	Built before 3-6-17
Switch, rocker, light, 3 Position	2196143	Built after 3-6-17
Thermometer, hanging, 4"	3516135	
Thermostat, in-39.5D/out-22.5D	2194536-S	Built before 3-6-17
Thermostat, Digital	000-CZ0-0067KT-S	Built after 3-6-17
Valve, expansion, 1/2 ton, R404A	3516084	

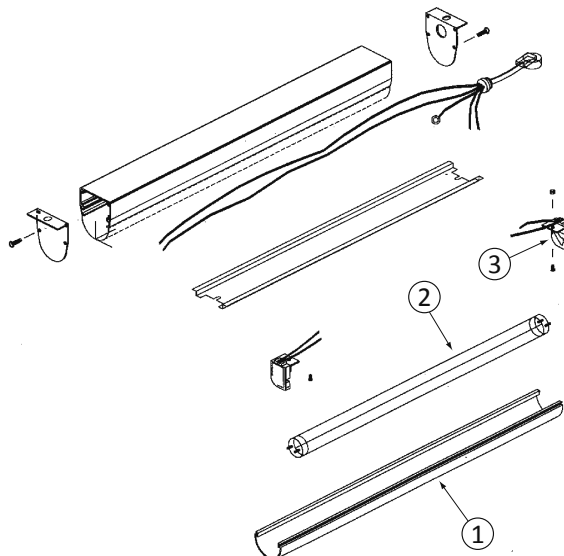
F5SC60 - Condensing Unit Components



Key	Description	Part Number	Production Note	Note
	Condensing Unit Assembly, 3/4 HP, R404A	000-BN5-0036-S	Built before 3-6-17	
	Condensing Unit Assembly, 3/4 HP, R404A	000-BN5-007R-S	Built after 3-6-17	
1	Shroud, 3/4 HP condenser coil	026-C58-0032-S		
2	Guard, fan, condenser, upright	2160019		
3	Capacitor, start, run, assembly	3516468		
4	Compressor, SC18MLX, 115V/60Hz	3527021		
5	Filter dryer, (2) inlet, .25"	3516322		
6	Tank, receiver	3516657	Built before 3-6-17	[F]
6a	Tank, receiver	3516590	Built after 3-6-17	
7	Coil, condenser, 3/4 HP	3516456		
	Pan, condensate	039-231-0031-S		
	Blade, fan 25°, 10", CW, upright	3516433		
	Motor, fan, 16W, 115V	2162716	Built before 3-6-17	
	Motor, fan, 16W, ECM, No Plugs	2160003	Built after 3-6-17	

NOTE: [F] Re-piping may be required for installation.

F5SC60 - Fluorescent Light Components

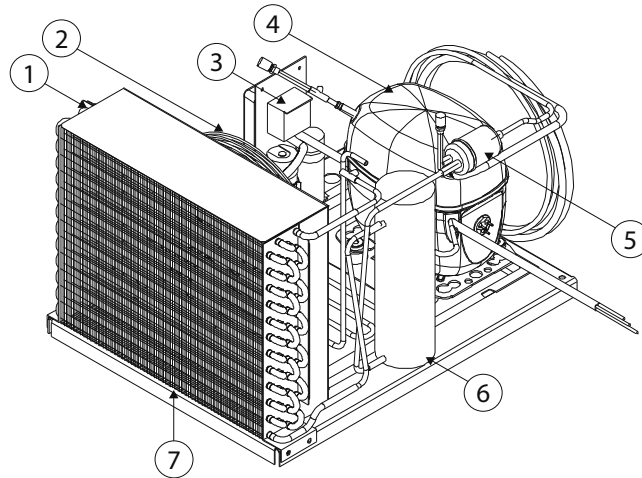


Key	Description	Part Number
	Fluorescent Light Assembly, 48.25, 9PIG	000-406-003L-S
1	Diffuser, fluorescent light, 48"	376-A0M-005B-S
2	Lamp, fluorescent, 48"	2193908
3	Lamp holder, 18"	2194289

F5MC72 - Common Components

Description	Part Number	Production Note
Ballast, electronic, program start, 1Bulb	2195377	
Bearing, roller, double, Anthony® door	3234637	Built before 3-6-17
Bracket, fan motor, blower coil	031-264-0000-S	Built before 3-6-17
Bulb Seal Sold As 5ft Piece, Thermoseal® door	3238560	Built after 3-6-17
Bumper Door Stop, Thermoseal® door	3239745	Built after 3-6-17
Coil, evaporator, 72"	3516091	
Control, Pressure, Dual	2193942	Built before 3-6-17
Control, Pressure, High	3516247	Built after 3-6-17
Door Frame, Thermoseal® door	3238544	Built after 3-6-17
Fan Blade, 5.56", CCW, Clear	3516172-S	Built before 3-6-17
Fan Motor, 115V 50/60	2162691-S	Built before 3-6-17
Fan Axial, EC, 100-240V, 50/60Hz	2160045	Built after 3-6-17
Fan Guard	3516173-S	Built before 3-6-17
Fan Guard	2160024	Built after 3-6-17
Gasket, bumper, 31 13/16", Anthony® door	3234808	Built before 3-6-17
Gasket, wiper strip, 30 3/8", Anthony® door	3234809	Built before 3-6-17
Glass Door, Clear, Thermoseal® door	3238548	Built after 3-6-17
Glass Door, Reflective, Thermoseal® door	3238552	Built after 3-6-17
Harness, electrical	2184064	Built before 3-6-17
Harness, electrical	2196121	Built after 3-6-17
Hold Open Assembly, Thermoseal® door	3239735	Built after 3-6-17
Kerf Seal Sold As 6ft Piece, Thermoseal® door	3238561	Built after 3-6-17
Lock, Anthony® door	3237549	Built before 2007
Lock, Anthony® door	3233986	Built between 2007 & 3-6-17
Lock, Thermoseal® door	3239733	Built after 3-6-17
Mirror, glass, top, 72"	3455418	
Pan, drip, evaporator coil, 66" with flat bottom	PMK00011	
Pan, drip, evaporator coil, 66" with recessed drain	000-BBO-0032-S	
See through panel, Anthony® door	3455399	Built before 3-6-17
Shelf, wire, 15.75" x 67.25" (Mirror Back)	3978061	
Shelf, wire, 21.75" x 67.25" (Mirror Back)	3978062	
Solenoid coil 120V	3516103	Built before 3-6-17
Solenoid valve	3516102	Built before 3-6-17
Spring, 30" gold, Anthony® door	3233946	Built before 3-6-17
Switch, power	2194099	Built after 3-6-17
Switch, rocker, light, 20A/125V, 15A/250V	2190154	Built before 3-6-17
Switch, rocker, light, 3 Position	2196143	Built after 3-6-17
Thermometer, hanging, 4"	3516135	
Thermostat, in-39.5D/out-22.5D	2194536-S	Built before 3-6-17
Thermostat, Digital	000-CZ0-0067KT-S	Built after 3-6-17
Track, bottom, 67 7/16", Anthony® door	3234805	Built before 3-6-17
Track, top, 68 7/16", Anthony® door	3234802	Built before 3-6-17
Valve, expansion, 1/2 ton, R404A	3516084	

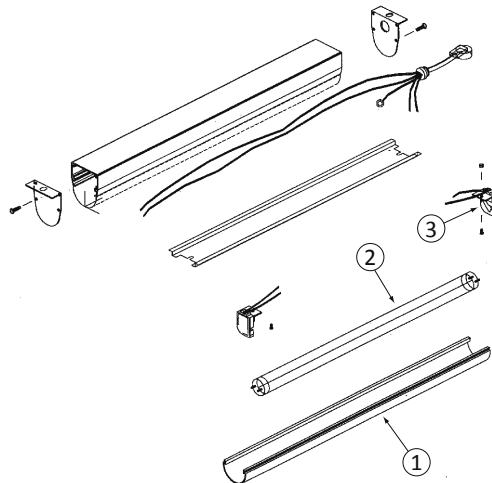
F5MC72 - Condensing Unit Components



Key	Description	Part Number	Production Note	Note
	Condensing Unit Assembly, 3/4 HP, R404A	000-BN5-0036-S	Built before 3-6-17	
	Condensing Unit Assembly, 3/4 HP, R404A	000-BN5-007R-S	Built after 3-6-17	
1	Shroud, 3/4 HP condenser coil	026-C58-0032-S		
2	Guard, fan, condenser, upright	2160019		
3	Capacitor, start, run, assembly	3516468		
4	Compressor, SC18MLX, 115V/60Hz	3527021		
5	Filter dryer, (2) inlet, .25"	3516322		
6	Tank, receiver	3516657	Built before 3-6-17	[F]
6a	Tank, receiver	3516590	Built after 3-6-17	
7	Coil, condenser, 3/4 HP	3516456		
	Pan, condensate	039-231-0031-S		
	Blade, fan 25°, 10", CW, upright	3516433		
	Motor, fan, 16W, 115V	2162716	Built before 3-6-17	
	Motor, fan, 16W, ECM, No Plugs	2160003	Built after 3-6-17	

NOTE: [F] Re-piping may be required for installation.

F5MC72 - Fluorescent Light Components

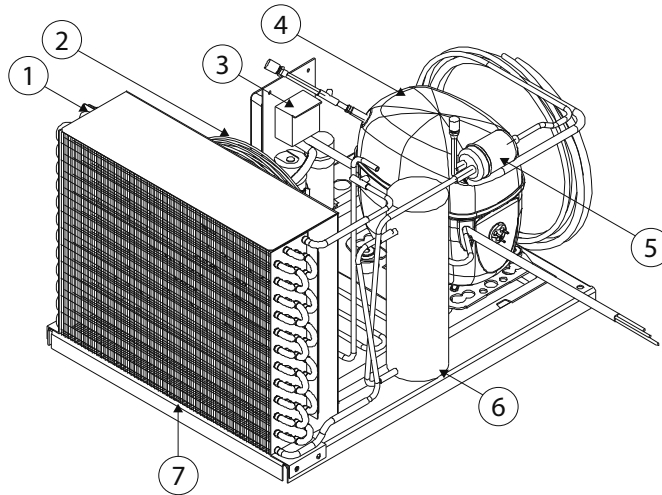


Key	Description	Part Number
	Fluorescent Light Assembly, 48.25, 3.5PIG	000-406-003Q-S
	Fluorescent Light Assembly, 60.25, 9PIG	000-406-003M-S
1	Diffuser, fluorescent light, 48"	376-A0M-005B-S
1a	Diffuser, fluorescent light, 60"	376-A0M-005C-S
2	Lamp, fluorescent, 48"	2193908
2a	Lamp, fluorescent, 60"	2193909
3	Lamp holder, 18"	2194289

F5PC72 - Common Components

Description	Part Number	Production Note
Ballast, electronic, program start, 1Bulb	2195377	
Bearing, roller, double, Anthony® door	3234637	Built before 3-6-17
Bracket, fan motor, blower coil	031-264-0000-S	Built before 3-6-17
Bulb Seal Sold As 5ft Piece, Thermoseal® door	3238560	Built after 3-6-17
Bumper Door Stop, Thermoseal® door	3239745	Built after 3-6-17
Coil, evaporator, 72"	3516091	
Control, Pressure, Dual	2193942	Built before 3-6-17
Control, Pressure, High	3516247	Built after 3-6-17
Door Frame, Thermoseal® door	3238544	Built after 3-6-17
Fan Blade, 5.56", CCW, Clear	3516172-S	Built before 3-6-17
Fan Motor, 115V 50/60	2162691-S	Built before 3-6-17
Fan Axial, EC, 100-240V, 50/60Hz	2160045	Built after 3-6-17
Fan Guard	3516173-S	Built before 3-6-17
Fan Guard	2160024	Built after 3-6-17
Gasket, bumper, 31 13/16", Anthony® door	3234808	Built before 3-6-17
Gasket, wiper strip, 30 3/8", Anthony® door	3234809	Built before 3-6-17
Glass Door, Clear, Thermoseal® door	3238548	Built after 3-6-17
Glass Door, Reflective, Thermoseal® door	3238552	Built after 3-6-17
Harness, electrical	2184064	Built before 3-6-17
Harness, electrical	2196121	Built after 3-6-17
Hold Open Assembly, Thermoseal® door	3239735	Built after 3-6-17
Kerf Seal Sold As 6ft Piece, Thermoseal® door	3238561	Built after 3-6-17
Lock, Anthony® door	3237549	Built before 2007
Lock, Anthony® door	3233986	Built between 2007 & 3-6-17
Lock, Thermoseal® door	3239733	Built after 3-6-17
Pan, drip, evaporator coil, 66" with flat bottom	PMK00011	
Pan, drip, evaporator coil, 66" with recessed drain	000-BBO-0032-S	
See through panel, Anthony® door	3455399	Built before 3-6-17
Shelf, wire, 17.75" x 67.25" (See Thru & Pass Thru)	3978063	
Shelf, wire, 23.75" x 67.25" (See Thru & Pass Thru)	3978064	
Solenoid coil 120V	3516103	Built before 3-6-17
Solenoid valve	3516102	Built before 3-6-17
Spring, 30" gold, Anthony® door	3233946	Built before 3-6-17
Switch, power	2194099	Built after 3-6-17
Switch, rocker, light, 20A/125V, 15A/250V	2190154	Built before 3-6-17
Switch, rocker, light, 3 Position	2196143	Built after 3-6-17
Thermometer, hanging, 4"	3516135	
Thermostat, in-39.5D/out-22.5D	2194536-S	Built before 3-6-17
Thermostat, Digital	000-CZ0-0067KT-S	Built after 3-6-17
Track, bottom, 67 7/16", Anthony® door	3234805	Built before 3-6-17
Track, top, 68 7/16", Anthony® door	3234802	Built before 3-6-17
Valve, expansion, 1/2 ton, R404A	3516084	

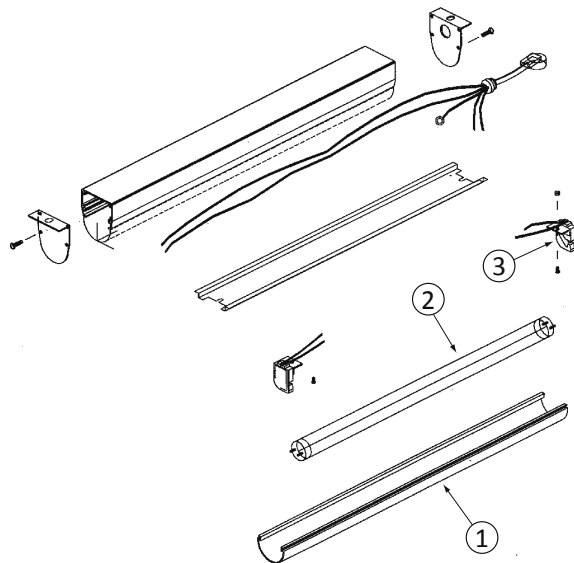
F5PC72 - Condensing Unit Components



Key	Description	Part Number	Production Note	Note
	Condensing Unit Assembly, 3/4 HP, R404A	000-BN5-0036-S	Built before 3-6-17	
	Condensing Unit Assembly, 3/4 HP, R404A	000-BN5-007R-S	Built after 3-6-17	
1	Shroud, 3/4 HP condenser coil	026-C58-0032-S		
2	Guard, fan, condenser, upright	2160019		
3	Capacitor, start, run, assembly	3516468		
4	Compressor, SC18MLX, 115V/60Hz	3527021		
5	Filter dryer, (2) inlet, .25"	3516322		
6	Tank, receiver	3516657	Built before 3-6-17	[F]
6a	Tank, receiver	3516590	Built after 3-6-17	
7	Coil, condenser, 3/4 HP	3516456		
	Pan, condensate	039-231-0031-S		
	Blade, fan 25°, 10", CW, upright	3516433		
	Motor, fan, 16W, 115V	2162716	Built before 3-6-17	
	Motor, fan, 16W, ECM, No Plugs	2160003	Built after 3-6-17	

NOTE: [F] Re-piping may be required for installation.

F5PC72 - Fluorescent Light Components

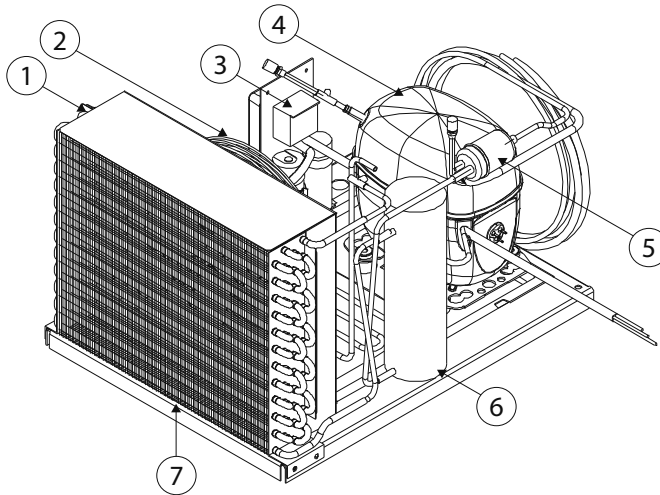


Key	Description	Part Number
	Fluorescent Light Assembly, 60.25, 9PIG	000-406-003M-S
1	Diffuser, fluorescent light, 60"	376-A0M-005C-S
2	Lamp, fluorescent, 60"	2193909
3	Lamp holder, 18"	2194289

F5SC72 - Common Components

Description	Part Number	Production Note
Ballast, electronic, program start, 1Bulb	2195377	
Bearing, roller, double, Anthony® door	3234637	Built before 3-6-17
Bracket, fan motor, blower coil	031-264-0000-S	Built before 3-6-17
Bulb Seal Sold As 5ft Piece, Thermoseal® door	3238560	Built after 3-6-17
Bumper Door Stop, Thermoseal® door	3239745	Built after 3-6-17
Coil, evaporator, 72"	3516091	
Control, Pressure, Dual	2193942	Built before 3-6-17
Control, Pressure, High	3516247	Built after 3-6-17
Door Frame, Thermoseal® door	3238544	Built after 3-6-17
Fan Blade, 5.56", CCW, Clear	3516172-S	Built before 3-6-17
Fan Motor, 115V 50/60	2162691-S	Built before 3-6-17
Fan Axial, EC, 100-240V, 50/60Hz	2160045	Built after 3-6-17
Fan Guard	3516173-S	Built before 3-6-17
Fan Guard	2160024	Built after 3-6-17
Gasket, bumper, 31 13/16", Anthony® door	3234808	Built before 3-6-17
Gasket, wiper strip, 30 3/8", Anthony® door	3234809	Built before 3-6-17
Glass Door, Clear, Thermoseal® door	3238548	Built after 3-6-17
Glass Door, Reflective, Thermoseal® door	3238552	Built after 3-6-17
Harness, electrical	2184064	Built before 3-6-17
Harness, electrical	2196121	Built after 3-6-17
Hold Open Assembly, Thermoseal® door	3239735	Built after 3-6-17
Kerf Seal Sold As 6ft Piece, Thermoseal® door	3238561	Built after 3-6-17
Lock, Anthony® door	3237549	Built before 2007
Lock, Anthony® door	3233986	Built between 2007 & 3-6-17
Lock, Thermoseal® door	3239733	Built after 3-6-17
Pan, drip, evaporator coil, 66" with flat bottom	PMK00011	
Pan, drip, evaporator coil, 66" with recessed drain	000-BBO-0032-S	
See through panel, Anthony® door	3455399	Built before 3-6-17
Shelf, wire, 17.75" x 67.25" (See Thru & Pass Thru)	3978063	
Shelf, wire, 23.75" x 67.25" (See Thru & Pass Thru)	3978064	
Solenoid coil 120V	3516103	Built before 3-6-17
Solenoid valve	3516102	Built before 3-6-17
Spring, 30" gold, Anthony® door	3233946	Built before 3-6-17
Switch, power	2194099	Built after 3-6-17
Switch, rocker, light, 20A/125V, 15A/250V	2190154	Built before 3-6-17
Switch, rocker, light, 3 Position	2196143	Built after 3-6-17
Thermometer, hanging, 4"	3516135	
Thermostat, in-39.5D/out-22.5D	2194536-S	Built before 3-6-17
Thermostat, Digital	000-CZ0-0067KT-S	Built after 3-6-17
Track, bottom, 67 7/16", Anthony® door	3234805	Built before 3-6-17
Track, top, 68 7/16", Anthony® door	3234802	Built before 3-6-17
Valve, expansion, 1/2 ton, R404A	3516084	

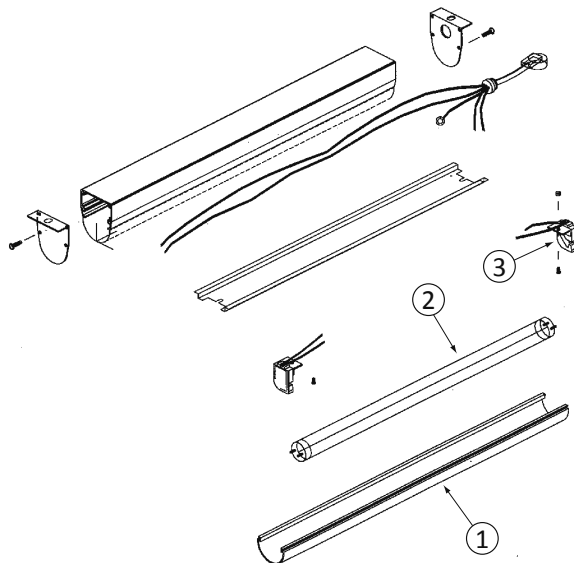
F5SC72 - Condensing Unit Components



Key	Description	Part Number	Production Note	Note
	Condensing Unit Assembly, 3/4 HP, R404A	000-BN5-0036-S	Built before 3-6-17	
	Condensing Unit Assembly, 3/4 HP, R404A	000-BN5-007R-S	Built after 3-6-17	
1	Shroud, 3/4 HP condenser coil	026-C58-0032-S		
2	Guard, fan, condenser, upright	2160019		
3	Capacitor, start, run, assembly	3516468		
4	Compressor, SC18MLX, 115V/60Hz	3527021		
5	Filter dryer, (2) inlet, .25"	3516322		
6	Tank, receiver	3516657	Built before 3-6-17	[F]
6a	Tank, receiver	3516590	Built after 3-6-17	
7	Coil, condenser, 3/4 HP	3516456		
	Pan, condensate	039-231-0031-S		
	Blade, fan 25°, 10", CW, upright	3516433		
	Motor, fan, 16W, 115V	2162716	Built before 3-6-17	
	Motor, fan, 16W, ECM, No Plugs	2160003	Built after 3-6-17	

NOTE: [F] Re-piping may be required for installation.

F5SC72 - Fluorescent Light Components

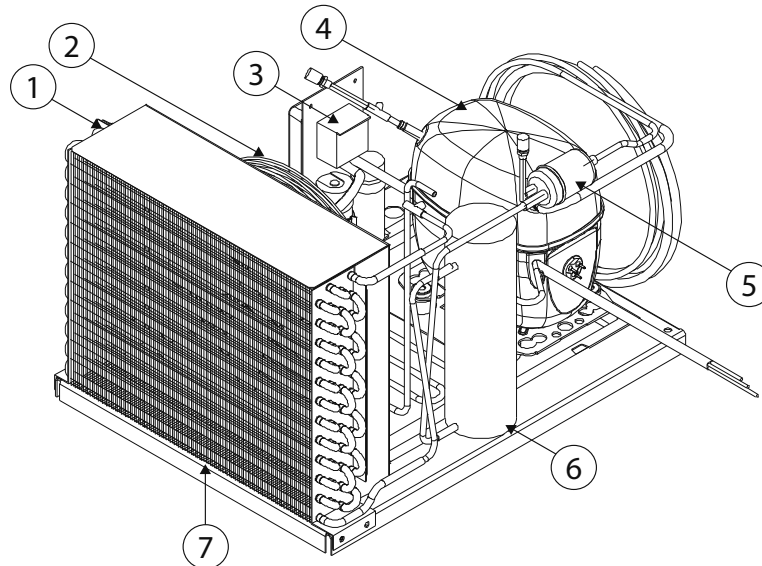


Key	Description	Part Number
	Fluorescent Light Assembly, 60.25, 9PIG	000-406-003M-S
1	Diffuser, fluorescent light, 60"	376-A0M-005C-S
2	Lamp, fluorescent, 60"	2193909
3	Lamp holder, 18"	2194289

F15MC48 - Common Components

Description	Part Number	Production Note
Ballast, electronic, program start, 1Bulb	2195377	
Bearing, roller, single, Anthony® door	3234636	Built before 3-6-17
Bracket, fan motor, blower coil	031-264-0000-S	Built before 3-6-17
Bulb Seal Sold As 5ft Piece, Thermoseal® door	3238560	Built after 3-6-17
Bumper Door Stop, Thermoseal® door	3239745	Built after 3-6-17
Coil, evaporator, 48" & 60"	3516090	
Control, Danfoss, ETC1H-3, 115V	RF000083-S	Built before 3-6-17
Control, Refg, Double Hook Up	000-CZ0-0059KT-S	Built after 3-6-17
Control, Pressure, Dual	2193942	
Cord/plug assembly, 14/3, NEMA 5-20P	2183347	
Door Frame, Thermoseal® door	3238542	Built after 3-6-17
Fan Blade, 5.56", CCW, Clear	3516172-S	Built before 3-6-17
Fan Motor, 115V 50/60	2162691-S	Built before 3-6-17
Fan Axial, EC, 100-240V, 50/60Hz	2160045	Built after 3-6-17
Fan Guard	3516173-S	Built before 3-6-17
Fan Guard	2160024	Built after 3-6-17
Gasket, bumper, 31 13/16", Anthony® door	3234808	Built before 3-6-17
Gasket, wiper strip, 30 3/8", Anthony® door	3234809	Built before 3-6-17
Glass Door, Clear, Thermoseal® door	3238546	Built after 3-6-17
Glass Door, Reflective, Thermoseal® door	3238550	Built after 3-6-17
Harness, electrical	2184064	Built before 3-6-17
Harness, electrical	2196121	Built after 3-6-17
Hold Open Assembly, Thermoseal® door	3239735	Built after 3-6-17
Kerf Seal Sold As 6ft Piece, Thermoseal® door	3238561	Built after 3-6-17
Leg, 6" with mount plate (4 used on 48" — 6 used on 72")	3234645	
Lock, Anthony® door	3233986	Built before 2007
Lock, Anthony® door	3237549	Built between 2007 & 3-6-17
Lock, Thermoseal® door	3239733	Built after 3-6-17
Louver, 18", 17.94 x 26.34	356-303-0031-S	
Mirror, glass, top, 48"	3455417	
Pan, drip, evaporator coil, 42" with flat bottom	039-304-0030-S	
Pan, drip, evaporator coil, 42" with recessed drain	000-BBO-0030-S	
See through panel, Anthony® door	3455397	Built before 3-6-17
Shelf, wire, 15.75" x 43.25" (Mirror Back)	3977993	
Shelf, wire, 21.75" x 43.25" (Mirror Back)	3978025	
Shelf, wire, 24" door, 19.38 x 25.25	3977998	
Shelf support, plastic, plug 1"	3234290	
Solenoid coil, 120V, 50-60Hz	3516053	
Solenoid coil 120V, Spade Terminal	3516103	Built before 3-6-17
Solenoid valve	3516102	
Spring, 17" gold, Anthony® door	3234810	Built before 3-6-17
Stud, coil side, for shelf support	9321040	
Stud, wall side, for shelf support, 1/4x1.50	9321132	
Switch, power, 20A/125V, 15A/250V	2190154	Built before 3-6-17
Switch, power	2198717	Built after 3-6-17
Switch, rocker, light, 20A/125V, 15A/250V	2190154	Built before 3-6-17
Switch, rocker, light, 3 Position	2196143	Built after 3-6-17
Thermometer, hanging, 4"	3516135	
Thermostat, in-39.5D/out-22.5D	2194536-S	Built before 3-6-17
Thermostat, Digital	000-CZ0-0067KT-S	Built after 3-6-17
Track, bottom, 43 7/16", Anthony® door	3234803	Built before 3-6-17
Track, top, 44 7/16", Anthony® door	3234800	Built before 3-6-17
Valve, expansion, 1/2 ton, R404A	3516084	

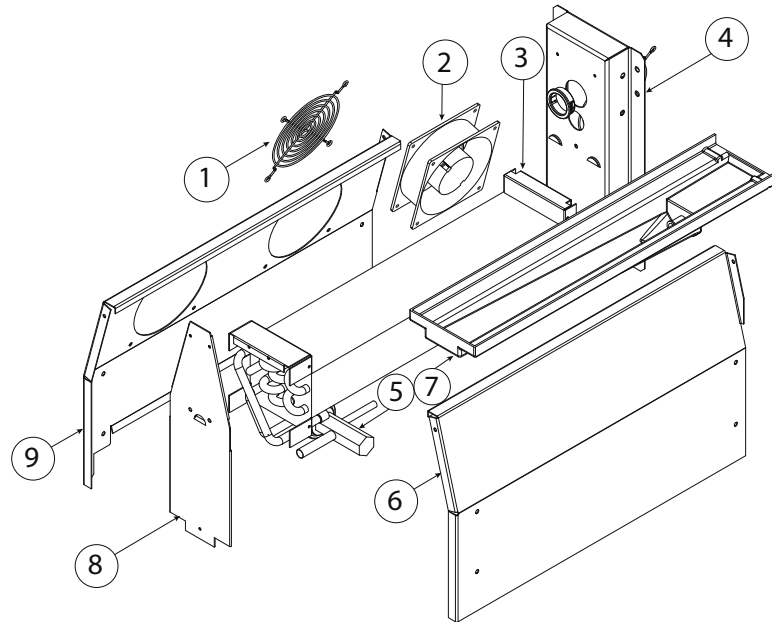
F15MC48 - Condensing Unit Components



Key	Description	Part Number	Production Note	Note
	Condensing Unit Assembly, 3/4 HP, R404A	000-BN5-0036-S	Built before 3-6-17	
	Condensing Unit Assembly, 3/4 HP, R404A	000-BN5-007R-S	Built after 3-6-17	
1	Shroud, 3/4 HP condenser coil	026-C58-0032-S		
2	Guard, fan, condenser, upright	2160019		
3	Capacitor, start, run, assembly	3516468		
4	Compressor, SC18MLX, 115V/60Hz	3527021		
5	Filter dryer, (2) inlet, .25"	3516322		
6	Tank, receiver	3516657	Built before 3-6-17	[F]
6a	Tank, receiver	3516590	Built after 3-6-17	
7	Coil, condenser, 3/4 HP	3516456		
	Pan, condensate	039-231-0031-S		
	Blade, fan 25°, 10", CW, upright	3516433		
	Motor, fan, 16W, 115V	2162716	Built before 3-6-17	
	Motor, fan, 16W, ECM, No Plugs	2160003	Built after 3-6-17	

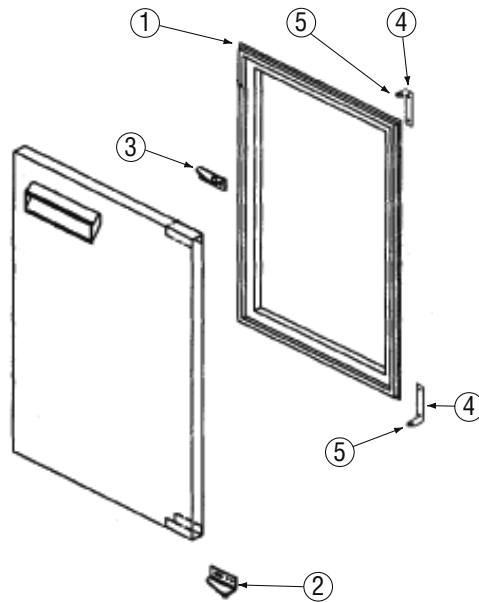
NOTE: [F] Re-piping may be required for installation.

F15MC48 - Evaporator Assembly Components



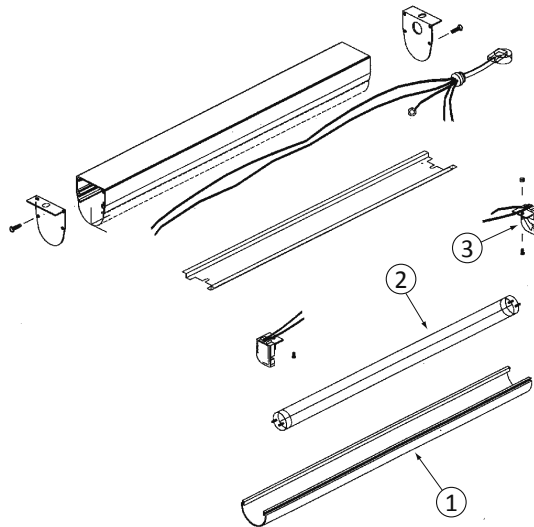
Key	Description	Part Number	Production Note
	Evaporator Coil Assembly, R404A, Ref	000-248-0030-S	Built before 3-6-17
	Evaporator Coil Assembly, R404A, Ref, F15 48" EC Models	000-248-003L-S	Built after 3-6-17
1	Guard, fan, 4.7"	2160024	
2	Fan, axial, 120V	2160023	Built before 3-6-17
2a	Fan, axial, EC, 100-240V, 50/60Hz	2160045	Built after 3-6-17
3	Coil, evaporator	3516095	
4	Back, evaporator, enclosure	030-232-0003-S	
5	Expansion valve, 1/4, R-404a	3516273	
6	Side, coil, angled, Right, 1 Fan	030-233-0001-S	
6a	Side, coil, angled, Right, Blank	030-233-0038-S	
7	Drip pan, evaporator	000-BNH-0030-S	
8	Front, coil	030-234-0003-S	
9	Side, coil, angled, Left, 1 Fan	030-233-0002-S	
9a	Side, coil, angled, Left, 2 Fans	030-233-0039-S	
	Harness, coil	2184317	
	Probe, Defrost, Danfoss, Control	2194808	
	Probe, Temp, Sensor, Danfoss	2194809	

F15MC48 - Base Door Components



Key	Description	Part Number
	Door assembly, right, 24" x 26"	000-187-0068-S
	Door assembly, left, 24" x 26"	000-187-0069-S
	Gasket, door, 24"	1701184
2	Hinge, door, top/LH, bottom/RH	3234072
3	Hinge, door, top/RH, bottom/LH	3234073
4	Hinge, cabinet, L-shaped	3234391
5	Bushing, nylon, hinge pin	9321107

F15MC48 - Fluorescent Light Components

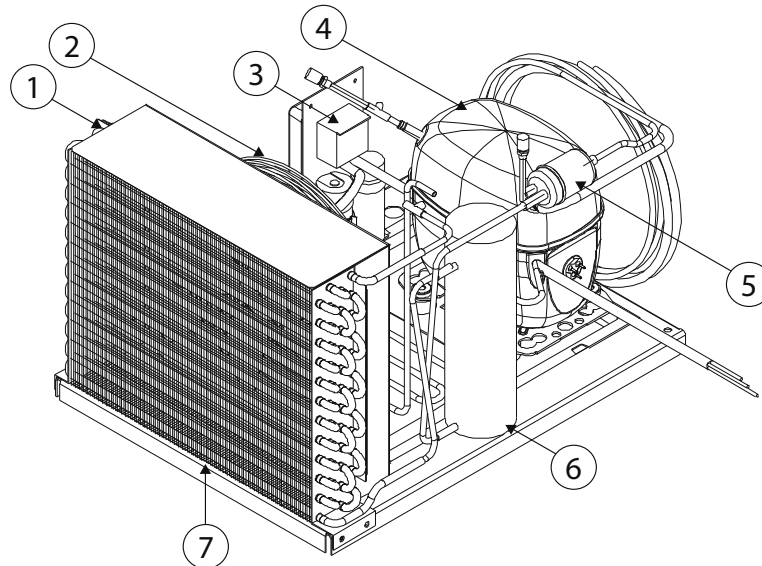


Key	Description	Part Number
	Fluorescent Light Assembly, 36.25, 3.5PIG	000-406-003P-S
	Fluorescent Light Assembly, 36.25, 9PIG	000-406-003K-S
1	Diffuser, fluorescent light, 36"	376-A0M-005A-S
2	Lamp, fluorescent, 36"	2193907
3	Lamp holder, 18"	2194289

F15PC48 - Common Components

Description	Part Number	Production Note
Ballast, electronic, program start, 1Bulb	2195377	
Bearing, roller, single, Anthony® door	3234636	Built before 3-6-17
Bracket, fan motor, blower coil	031-264-0000-S	Built before 3-6-17
Bulb Seal Sold As 5ft Piece, Thermoseal® door	3238560	Built after 3-6-17
Bumper Door Stop, Thermoseal® door	3239745	Built after 3-6-17
Coil, evaporator, 48" & 60"	3516090	
Control, Danfoss, ETC1H-3, 115V	RF000083-S	Built before 3-6-17
Control, Refg, Double Hook Up	000-CZ0-0059KT-S	Built after 3-6-17
Control, Pressure, Dual	2193942	
Cord/plug assembly, 14/3, NEMA 5-20P	2183347	
Door Frame, Thermoseal® door	3238542	Built after 3-6-17
Fan Blade, 5.56", CCW, Clear	3516172-S	Built before 3-6-17
Fan Motor, 115V 50/60	2162691-S	Built before 3-6-17
Fan Axial, EC, 100-240V, 50/60Hz	2160045	Built after 3-6-17
Fan Guard	3516173-S	Built before 3-6-17
Fan Guard	2160024	Built after 3-6-17
Gasket, bumper, 31 13/16", Anthony® door	3234808	Built before 3-6-17
Gasket, wiper strip, 30 3/8", Anthony® door	3234809	Built before 3-6-17
Glass Door, Clear, Thermoseal® door	3238546	Built after 3-6-17
Glass Door, Reflective, Thermoseal® door	3238550	Built after 3-6-17
Harness, electrical	2184064	Built before 3-6-17
Harness, electrical	2196121	Built after 3-6-17
Hold Open Assembly, Thermoseal® door	3239735	Built after 3-6-17
Kerf Seal Sold As 6ft Piece, Thermoseal® door	3238561	Built after 3-6-17
Leg, 6" with mount plate (4 used on 48" — 6 used on 72")	3234645	
Lock, Anthony® door	3233986	Built before 2007
Lock, Anthony® door	3237549	Built between 2007 & 3-6-17
Lock, Thermoseal® door	3239733	Built after 3-6-17
Louver, 18", 17.94 x 26.34	356-303-0031-S	
Pan, drip, evaporator coil, 42" with flat bottom	039-304-0030-S	
Pan, drip, evaporator coil, 42" with recessed drain	000-BBO-0030-S	
See through panel, Anthony® door	3455397	Built before 3-6-17
Shelf, wire, 17.75" x 43.25" (See Thru & Pass Thru)	3978026	
Shelf, wire, 23.75" x 43.25" (See Thru & Pass Thru)	3978027	
Shelf, wire, 24" door, 19.38 x 25.25	3977998	
Shelf support, plastic, plug 1"	3234290	
Solenoid coil, 120V, 50-60Hz	3516053	
Solenoid coil 120V, Spade Terminal	3516103	Built before 3-6-17
Solenoid valve	3516102	
Spring, 17" gold, Anthony® door	3234810	Built before 3-6-17
Stud, coil side, for shelf support	9321040	
Stud, wall side, for shelf support, 1/4x1.50	9321132	
Switch, power, 20A/125V, 15A/250V	2190154	Built before 3-6-17
Switch, power	2198717	Built after 3-6-17
Switch, rocker, light, 20A/125V, 15A/250V	2190154	Built before 3-6-17
Switch, rocker, light, 3 Position	2196143	Built after 3-6-17
Thermometer, hanging, 4"	3516135	
Thermostat, in-39.5D/out-22.5D	2194536-S	Built before 3-6-17
Thermostat, Digital	000-CZ0-0067KT-S	Built after 3-6-17
Track, bottom, 43 7/16", Anthony® door	3234803	Built before 3-6-17
Track, top, 44 7/16", Anthony® door	3234800	Built before 3-6-17
Valve, expansion, 1/2 ton, R404A	3516084	

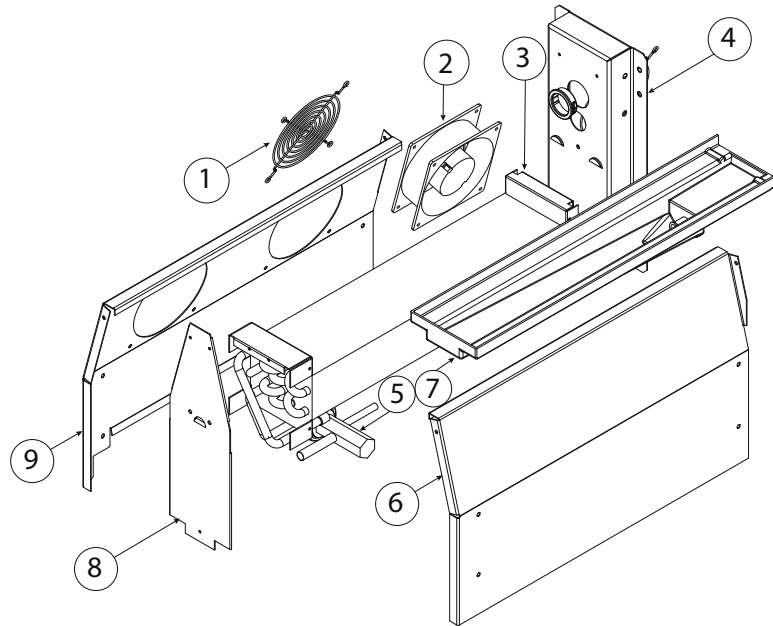
F15PC48 - Condensing Unit Components



Key	Description	Part Number	Production Note	Note
	Condensing Unit Assembly, 3/4 HP, R404A	000-BN5-0036-S	Built before 3-6-17	
	Condensing Unit Assembly, 3/4 HP, R404A	000-BN5-007R-S	Built after 3-6-17	
1	Shroud, 3/4 HP condenser coil	026-C58-0032-S		
2	Guard, fan, condenser, upright	2160019		
3	Capacitor, start, run, assembly	3516468		
4	Compressor, SC18MLX, 115V/60Hz	3527021		
5	Filter dryer, (2) inlet, .25"	3516322		
6	Tank, receiver	3516657	Built before 3-6-17	[F]
6a	Tank, receiver	3516590	Built after 3-6-17	
7	Coil, condenser, 3/4 HP	3516456		
	Pan, condensate	039-231-0031-S		
	Blade, fan 25°, 10", CW, upright	3516433		
	Motor, fan, 16W, 115V	2162716	Built before 3-6-17	
	Motor, fan, 16W, ECM, No Plugs	2160003	Built after 3-6-17	

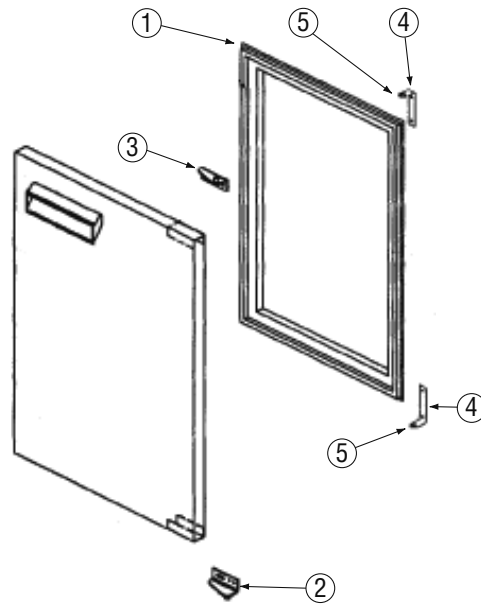
NOTE: [F] Re-piping may be required for installation.

F15PC48 - Evaporator Assembly Components



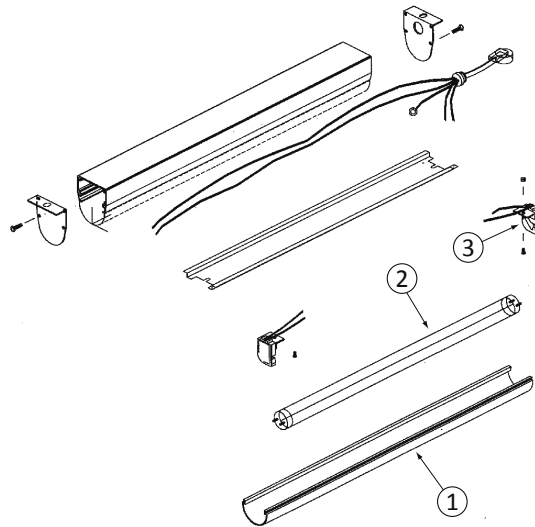
Key	Description	Part Number	Production Note
	Evaporator Coil Assembly, R404A, Ref	000-248-0030-S	Built before 3-6-17
	Evaporator Coil Assembly, R404A, Ref, F15 48" EC Models	000-248-003L-S	Built after 3-6-17
1	Guard, fan, 4.7"	2160024	
2	Fan, axial, 120V	2160023	Built before 3-6-17
2a	Fan, axial, EC, 100-240V, 50/60Hz	2160045	Built after 3-6-17
3	Coil, evaporator	3516095	
4	Back, evaporator, enclosure	030-232-0003-S	
5	Expansion valve, 1/4, R-404a	3516273	
6	Side, coil, angled, Right, 1 Fan	030-233-0001-S	
6a	Side, coil, angled, Right, Blank	030-233-0038-S	
7	Drip pan, evaporator	000-BNH-0030-S	
8	Front, coil	030-234-0003-S	
9	Side, coil, angled, Left, 1 Fan	030-233-0002-S	
9a	Side, coil, angled, Left, 2 Fans	030-233-0039-S	
	Harness, coil	2184317	
	Probe, Defrost, Danfoss, Control	2194808	
	Probe, Temp, Sensor, Danfoss	2194809	

F15PC48 - Base Door Components



Key	Description	Part Number
	Door assembly, right, 24" x 26"	000-187-0068-S
	Door assembly, left, 24" x 26"	000-187-0069-S
	Gasket, door, 24"	1701184
2	Hinge, door, top/LH, bottom/RH	3234072
3	Hinge, door, top/RH, bottom/LH	3234073
4	Hinge, cabinet, L-shaped	3234391
5	Bushing, nylon, hinge pin	9321107

F15PC48 - Fluorescent Light Components

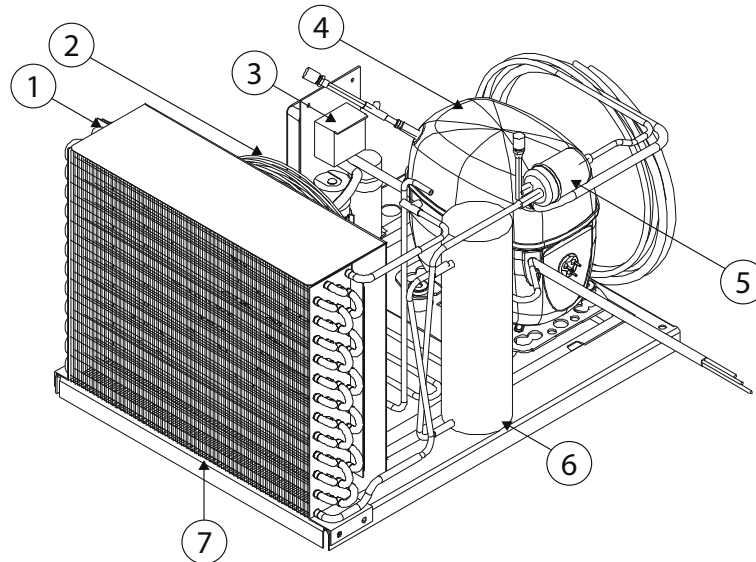


Key	Description	Part Number
	Fluorescent Light Assembly, 36.25, 9PIG	000-406-003K-S
1	Diffuser, fluorescent light, 36"	376-A0M-005A-S
2	Lamp, fluorescent, 36"	2193907
3	Lamp holder, 18"	2194289

F15SC48 - Common Components

Description	Part Number	Production Note
Ballast, electronic, program start, 1Bulb	2195377	
Bearing, roller, single, Anthony® door	3234636	Built before 3-6-17
Bracket, fan motor, blower coil	031-264-0000-S	Built before 3-6-17
Bulb Seal Sold As 5ft Piece, Thermoseal® door	3238560	Built after 3-6-17
Bumper Door Stop, Thermoseal® door	3239745	Built after 3-6-17
Coil, evaporator, 48" & 60"	3516090	
Control, Danfoss, ETC1H-3, 115V	RF000083-S	Built before 3-6-17
Control, Refg, Double Hook Up	000-CZ0-0059KT-S	Built after 3-6-17
Control, Pressure, Dual	2193942	
Cord/plug assembly, 14/3, NEMA 5-20P	2183347	
Door Frame, Thermoseal® door	3238542	Built after 3-6-17
Fan Blade, 5.56", CCW, Clear	3516172-S	Built before 3-6-17
Fan Motor, 115V 50/60	2162691-S	Built before 3-6-17
Fan Axial, EC, 100-240V, 50/60Hz	2160045	Built after 3-6-17
Fan Guard	3516173-S	Built before 3-6-17
Fan Guard	2160024	Built after 3-6-17
Gasket, bumper, 31 13/16", Anthony® door	3234808	Built before 3-6-17
Gasket, wiper strip, 30 3/8", Anthony® door	3234809	Built before 3-6-17
Glass Door, Clear, Thermoseal® door	3238546	Built after 3-6-17
Glass Door, Reflective, Thermoseal® door	3238550	Built after 3-6-17
Harness, electrical	2184064	Built before 3-6-17
Harness, electrical	2196121	Built after 3-6-17
Hold Open Assembly, Thermoseal® door	3239735	Built after 3-6-17
Kerf Seal Sold As 6ft Piece, Thermoseal® door	3238561	Built after 3-6-17
Leg, 6" with mount plate (4 used on 48" — 6 used on 72")	3234645	
Lock, Anthony® door	3233986	Built before 2007
Lock, Anthony® door	3237549	Built between 2007 & 3-6-17
Lock, Thermoseal® door	3239733	Built after 3-6-17
Louver, 18", 17.94 x 26.34	356-303-0031-S	
Pan, drip, evaporator coil, 42" with flat bottom	039-304-0030-S	
Pan, drip, evaporator coil, 42" with recessed drain	000-BBO-0030-S	
See through panel, Anthony® door	3455397	Built before 3-6-17
Shelf, wire, 17.75" x 43.25" (See Thru & Pass Thru)	3978026	
Shelf, wire, 23.75" x 43.25" (See Thru & Pass Thru)	3978027	
Shelf, wire, 24" door, 19.38 x 25.25	3977998	
Shelf support, plastic, plug 1"	3234290	
Solenoid coil, 120V, 50-60Hz	3516053	
Solenoid coil 120V, Spade Terminal	3516103	Built before 3-6-17
Solenoid valve	3516102	
Spring, 17" gold, Anthony® door	3234810	Built before 3-6-17
Stud, coil side, for shelf support	9321040	
Stud, wall side, for shelf support, 1/4x1.50	9321132	
Switch, power, 20A/125V, 15A/250V	2190154	Built before 3-6-17
Switch, power	2198717	Built after 3-6-17
Switch, rocker, light, 20A/125V, 15A/250V	2190154	Built before 3-6-17
Switch, rocker, light, 3 Position	2196143	Built after 3-6-17
Thermometer, hanging, 4"	3516135	
Thermostat, in-39.5D/out-22.5D	2194536-S	Built before 3-6-17
Thermostat, Digital	000-CZ0-0067KT-S	Built after 3-6-17
Track, bottom, 43 7/16", Anthony® door	3234803	Built before 3-6-17
Track, top, 44 7/16", Anthony® door	3234800	Built before 3-6-17
Valve, expansion, 1/2 ton, R404A	3516084	

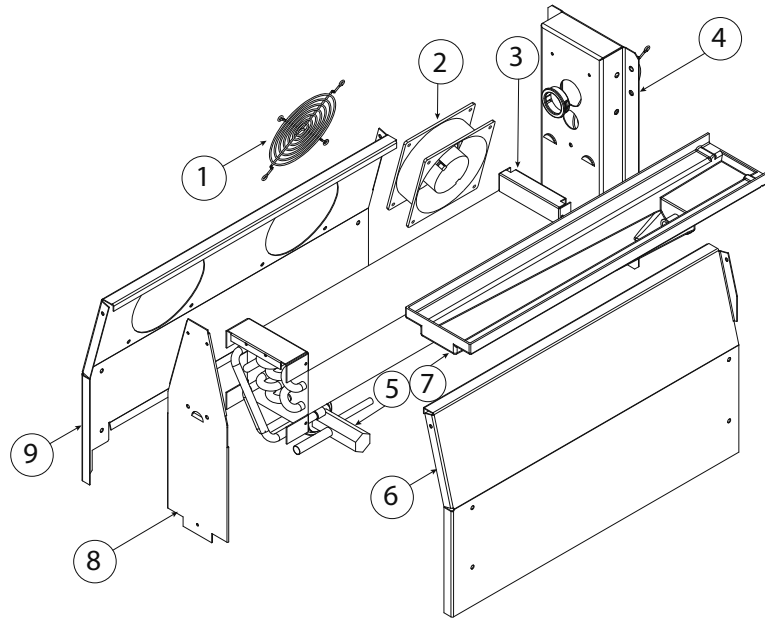
F15SC48 - Condensing Unit Components



Key	Description	Part Number	Production Note	Note
	Condensing Unit Assembly, 3/4 HP, R404A	000-BN5-0036-S	Built before 3-6-17	
	Condensing Unit Assembly, 3/4 HP, R404A	000-BN5-007R-S	Built after 3-6-17	
1	Shroud, 3/4 HP condenser coil	026-C58-0032-S		
2	Guard, fan, condenser, upright	2160019		
3	Capacitor, start, run, assembly	3516468		
4	Compressor, SC18MLX, 115V/60Hz	3527021		
5	Filter dryer, (2) inlet, .25"	3516322		
6	Tank, receiver	3516657	Built before 3-6-17	[F]
6a	Tank, receiver	3516590	Built after 3-6-17	
7	Coil, condenser, 3/4 HP	3516456		
	Pan, condensate	039-231-0031-S		
	Blade, fan 25°, 10", CW, upright	3516433		
	Motor, fan, 16W, 115V	2162716	Built before 3-6-17	
	Motor, fan, 16W, ECM, No Plugs	2160003	Built after 3-6-17	

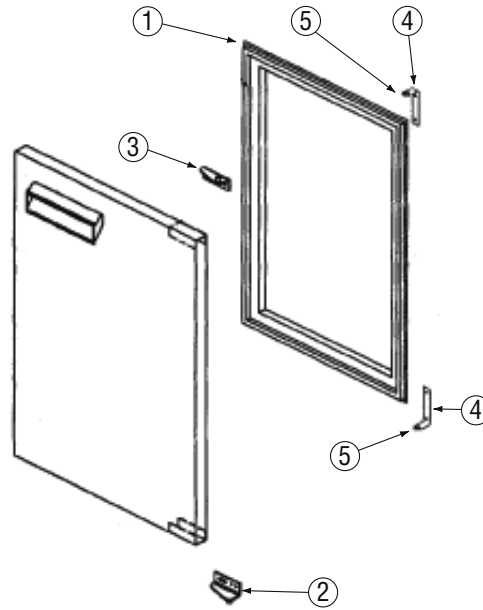
NOTE: [F] Re-piping may be required for installation.

F15SC48 - Evaporator Assembly Components



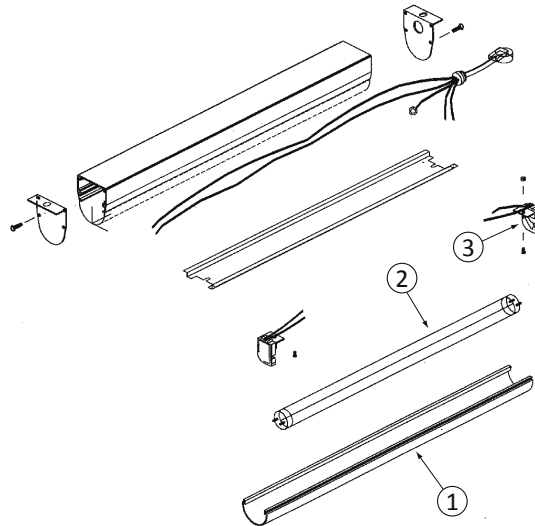
Key	Description	Part Number	Production Note
	Evaporator Coil Assembly, R404A, Ref	000-248-0030-S	Built before 3-6-17
	Evaporator Coil Assembly, R404A, Ref, F15 48" EC Models	000-248-003L-S	Built after 3-6-17
1	Guard, fan, 4.7"	2160024	
2	Fan, axial, 120V	2160023	Built before 3-6-17
2a	Fan, axial, EC, 100-240V, 50/60Hz	2160045	Built after 3-6-17
3	Coil, evaporator	3516095	
4	Back, evaporator, enclosure	030-232-0003-S	
5	Expansion valve, 1/4, R-404a	3516273	
6	Side, coil, angled, Right, 1 Fan	030-233-0001-S	
6a	Side, coil, angled, Right, Blank	030-233-0038-S	
7	Drip pan, evaporator	000-BNH-0030-S	
8	Front, coil	030-234-0003-S	
9	Side, coil, angled, Left, 1 Fan	030-233-0002-S	
9a	Side, coil, angled, Left, 2 Fans	030-233-0039-S	
	Harness, coil	2184317	
	Probe, Defrost, Danfoss, Control	2194808	
	Probe, Temp, Sensor, Danfoss	2194809	

F15SC48 - Base Door Components



Key	Description	Part Number
	Door assembly, right, 24" x 26"	000-187-0068-S
	Door assembly, left, 24" x 26"	000-187-0069-S
	Gasket, door, 24"	1701184
2	Hinge, door, top/LH, bottom/RH	3234072
3	Hinge, door, top/RH, bottom/LH	3234073
4	Hinge, cabinet, L-shaped	3234391
5	Bushing, nylon, hinge pin	9321107

F15SC48 - Fluorescent Light Components

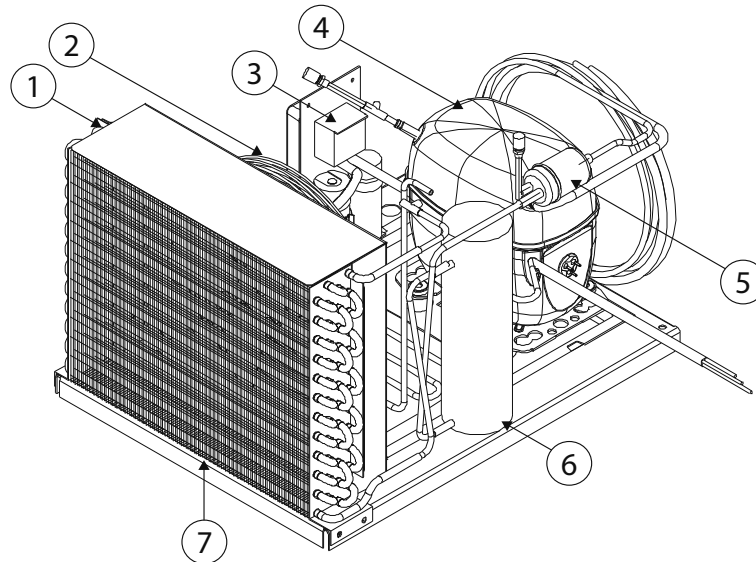


Key	Description	Part Number
	Fluorescent Light Assembly, 36.25, 9PIG	000-406-003K-S
1	Diffuser, fluorescent light, 36"	376-A0M-005A-S
2	Lamp, fluorescent, 36"	2193907
3	Lamp holder, 18"	2194289

F15MC60 - Common Components

Description	Part Number	Production Note
Ballast, electronic, program start, 1Bulb	2195377	
Bracket, fan motor, blower coil	031-264-0000-S	Built before 3-6-17
Bulb Seal Sold As 5ft Piece, Thermoseal® Door	3238560	
Bumper Door Stop, Thermoseal® Door	3239745	
Coil, evaporator, 48" & 60"	3516090	
Control, Danfoss, ETC1H-3, 115V	RF000083-S	Built before 3-6-17
Control, Refg, Double Hook Up	000-CZ0-0059KT-S	Built after 3-6-17
Control, Pressure, Dual	2193942	
Cord/plug assembly, 14/3, NEMA 5-20P	2183347	
Door Frame, Thermoseal® Door	3238543	
Fan Blade, 5.56", CCW, Clear	3516172-S	Built before 3-6-17
Fan Motor, 115V 50/60	2162691-S	Built before 3-6-17
Fan Axial, EC, 100-240V, 50/60Hz	2160045	Built after 3-6-17
Fan Guard	3516173-S	Built before 3-6-17
Fan Guard	2160024	Built after 3-6-17
Glass Door, Clear, Thermoseal® Door	3238547	
Glass Door, Reflective, Thermoseal® Door	3238551	
Harness, electrical	2184064	Built before 3-6-17
Harness, electrical	2196121	Built after 3-6-17
Hold Open Assembly, Thermoseal® Door	3239735	
Kerf Seal Sold As 6ft Piece, Thermoseal® Door	3238561	
Leg, 6" with mount plate (4 used on 48" — 6 used on 72")	3234645	
Lock, Thermoseal® Door	3239733	
Louver, 18", 17.94 x 26.34	356-303-0031-S	
Mirror, glass, top, 60"	3455318	
Pan, drip, evaporator coil, 54" with recessed drain	000-BBO-0031-S	
Shelf, wire, 19" door, 14.38 x 25.25	3977984	
Shelf, wire, 21.75" x 55.25" (Mirror Back)	3977977	
Shelf support, plastic, plug 1"	3234290	
Solenoid coil, 120V, 50-60Hz	3516053	
Solenoid coil 120V, Spade Terminal	3516103	Built before 3-6-17
Solenoid valve	3516102	
Stud, coil side, for shelf support	9321040	
Stud, wall side, for shelf support, 1/4x1.50	9321132	
Switch, power, 20A/125V, 15A/250V	2190154	Built before 3-6-17
Switch, power	2198717	Built after 3-6-17
Switch, rocker, light, 20A/125V, 15A/250V	2190154	Built before 3-6-17
Switch, rocker, light, 3 Position	2196143	Built after 3-6-17
Thermometer, hanging, 4"	3516135	
Thermostat, in-39.5D/out-22.5D	2194536-S	Built before 3-6-17
Thermostat, Digital	000-CZ0-0067KT-S	Built after 3-6-17
Valve, expansion, 1/2 ton, R404A	3516084	

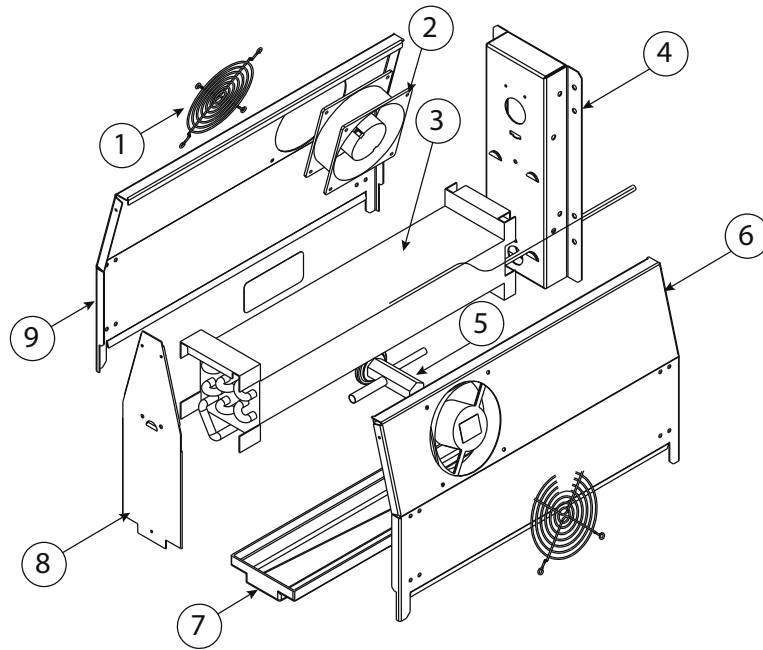
F15MC60 - Condensing Unit Components



Key	Description	Part Number	Production Note	Note
	Condensing Unit Assembly, 3/4 HP, R404A	000-BN5-0036-S	Built before 3-6-17	
	Condensing Unit Assembly, 3/4 HP, R404A	000-BN5-007R-S	Built after 3-6-17	
1	Shroud, 3/4 HP condenser coil	026-C58-0032-S		
2	Guard, fan, condenser, upright	2160019		
3	Capacitor, start, run, assembly	3516468		
4	Compressor, SC18MLX, 115V/60Hz	3527021		
5	Filter dryer, (2) inlet, .25"	3516322		
6	Tank, receiver	3516657	Built before 3-6-17	[F]
6a	Tank, receiver	3516590	Built after 3-6-17	
7	Coil, condenser, 3/4 HP	3516456		
	Pan, condensate	039-231-0031-S		
	Blade, fan 25°, 10", CW, upright	3516433		
	Motor, fan, 16W, 115V	2162716	Built before 3-6-17	
	Motor, fan, 16W, ECM, No Plugs	2160003	Built after 3-6-17	

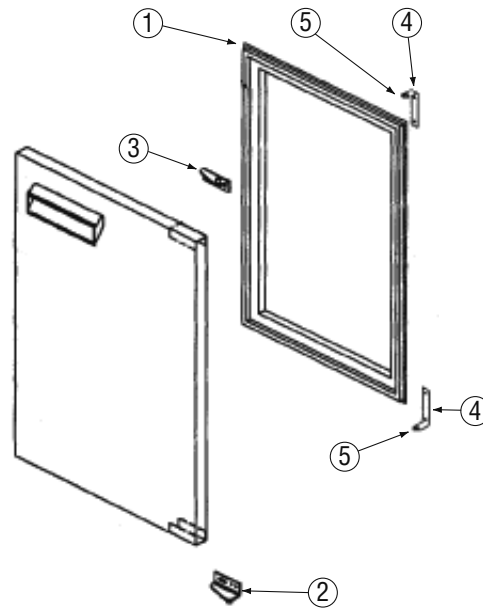
NOTE: [F] Re-piping may be required for installation.

F15MC60 - Evaporator Assembly Components



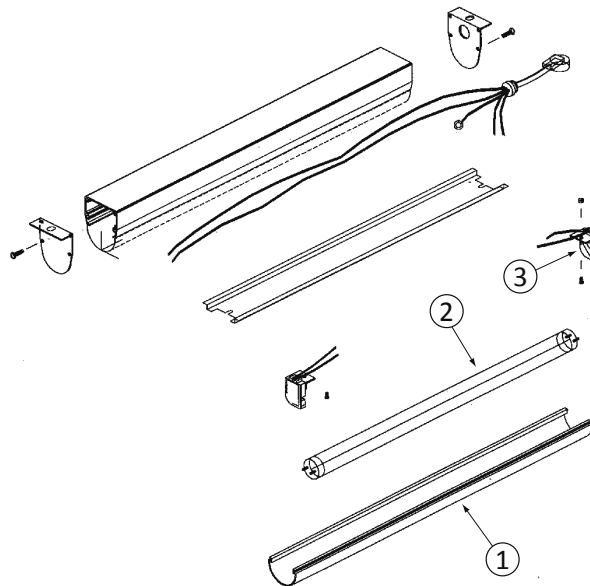
Key	Description	Part Number	Production Note
	Evaporator Coil Assembly, R404A, Ref	000-248-0030-S	Built before 3-6-17
	Evaporator Coil Assembly, R404A, Ref, F15 60" & 72" EC Models	000-248-0031-S	Built after 3-6-17
1	Guard, fan, 4.7"	2160024	
2	Fan, axial, 120V	2160023	Built before 3-6-17
2a	Fan, axial, EC, 100-240V, 50/60Hz	2160045	Built after 3-6-17
3	Coil, evaporator	3516095	
4	Back, evaporator, enclosure	030-232-0003-S	
5	Expansion valve, 1/4, R-404a	3516273	
6	Side, coil, angled, Right, 1 Fan	030-233-0001-S	
7	Drip pan, evaporator	000-BNH-0030-S	
8	Front, coil	030-234-0003-S	
9	Side, coil, angled, Left, 1 Fan	030-233-0002-S	
	Harness, coil	2184317	
	Probe, Defrost, Danfoss, Control	2194808	
	Probe, Temp, Sensor, Danfoss	2194809	

F15MC60 - Base Door Components



Key	Description	Part Number
	Door assembly, right, 19" x 26"	000-187-0066-S
	Door assembly, left, 19" x 26"	000-187-0067-S
1	Gasket, door, 19"	1701183
2	Hinge, door, top/LH, bottom/RH	3234072
3	Hinge, door, top/RH, bottom/LH	3234073
4	Hinge, cabinet, L-shaped	3234391
5	Bushing, nylon, hinge pin	9321107

F15MC60 - Fluorescent Light Components

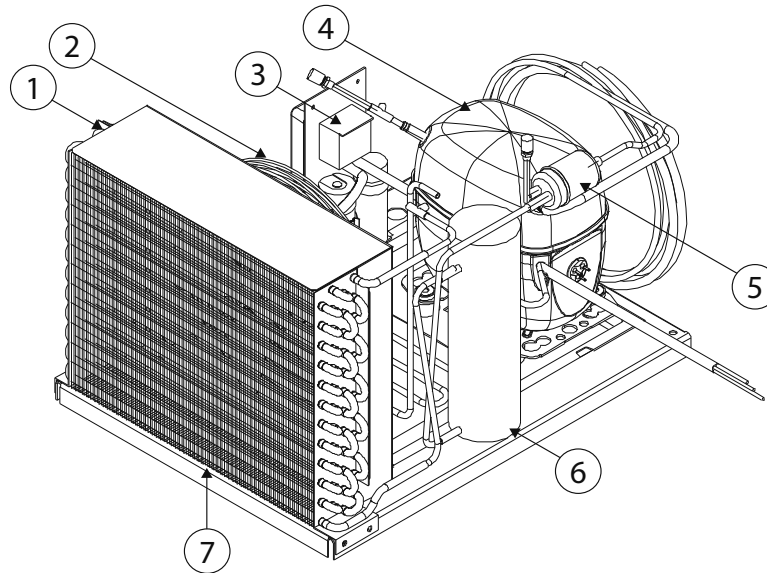


Key	Description	Part Number
	Fluorescent Light Assembly, 48.25, 3.5PIG	000-406-003Q-S
	Fluorescent Light Assembly, 48.25, 9PIG	000-406-003L-S
1	Diffuser, fluorescent light, 48"	376-A0M-005B-S
2	Lamp, fluorescent, 48"	2193908
3	Lamp holder, 18"	2194289

F15PC60 - Common Components

Description	Part Number	Production Note
Ballast, electronic, program start, 1Bulb	2195377	
Bracket, fan motor, blower coil	031-264-0000-S	Built before 3-6-17
Bulb Seal Sold As 5ft Piece, Thermoseal® Door	3238560	
Bumper Door Stop, Thermoseal® Door	3239745	
Coil, evaporator, 48" & 60"	3516090	
Control, Danfoss, ETC1H-3, 115V	RF000083-S	Built before 3-6-17
Control, Refg, Double Hook Up	000-CZ0-0059KT-S	Built after 3-6-17
Control, Pressure, Dual	2193942	
Cord/plug assembly, 14/3, NEMA 5-20P	2183347	
Door Frame, Thermoseal® Door	3238543	
Fan Blade, 5.56", CCW, Clear	3516172-S	Built before 3-6-17
Fan Motor, 115V 50/60	2162691-S	Built before 3-6-17
Fan Axial, EC, 100-240V, 50/60Hz	2160045	Built after 3-6-17
Fan Guard	3516173-S	Built before 3-6-17
Fan Guard	2160024	Built after 3-6-17
Glass Door, Clear, Thermoseal® Door	3238547	
Glass Door, Reflective, Thermoseal® Door	3238551	
Harness, electrical	2184064	Built before 3-6-17
Harness, electrical	2196121	Built after 3-6-17
Hold Open Assembly, Thermoseal® Door	3239735	
Kerf Seal Sold As 6ft Piece, Thermoseal® Door	3238561	
Leg, 6" with mount plate (4 used on 48" — 6 used on 72")	3234645	
Lock, Thermoseal® Door	3239733	
Louver, 18", 17.94 x 26.34	356-303-0031-S	
Pan, drip, evaporator coil, 54" with recessed drain	000-BBO-0031-S	
Shelf, wire, 19" door, 14.38 x 25.25	3977984	
Shelf, wire, 23.78" x 55.25" (See Thru & Pass Thru)	3977975	
Shelf support, plastic, plug 1"	3234290	
Solenoid coil, 120V, 50-60Hz	3516053	
Solenoid coil 120V, Spade Terminal	3516103	Built before 3-6-17
Solenoid valve	3516102	
Stud, coil side, for shelf support	9321040	
Stud, wall side, for shelf support, 1/4x1.50	9321132	
Switch, power, 20A/125V, 15A/250V	2190154	Built before 3-6-17
Switch, power	2198717	Built after 3-6-17
Switch, rocker, light, 20A/125V, 15A/250V	2190154	Built before 3-6-17
Switch, rocker, light, 3 Position	2196143	Built after 3-6-17
Thermometer, hanging, 4"	3516135	
Thermostat, in-39.5D/out-22.5D	2194536-S	Built before 3-6-17
Thermostat, Digital	000-CZ0-0067KT-S	Built after 3-6-17
Valve, expansion, 1/2 ton, R404A	3516084	

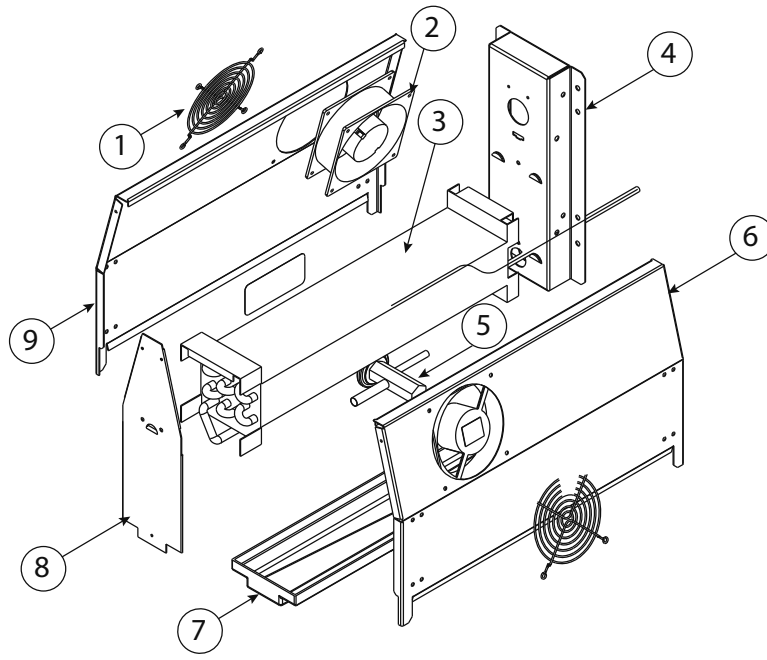
F15PC60 - Condensing Unit Components



Key	Description	Part Number	Production Note	Note
	Condensing Unit Assembly, 3/4 HP, R404A	000-BN5-0036-S	Built before 3-6-17	
	Condensing Unit Assembly, 3/4 HP, R404A	000-BN5-007R-S	Built after 3-6-17	
1	Shroud, 3/4 HP condenser coil	026-C58-0032-S		
2	Guard, fan, condenser, upright	2160019		
3	Capacitor, start, run, assembly	3516468		
4	Compressor, SC18MLX, 115V/60Hz	3527021		
5	Filter dryer, (2) inlet, .25"	3516322		
6	Tank, receiver	3516657	Built before 3-6-17	[F]
6a	Tank, receiver	3516590	Built after 3-6-17	
7	Coil, condenser, 3/4 HP	3516456		
	Pan, condensate	039-231-0031-S		
	Blade, fan 25°, 10", CW, upright	3516433		
	Motor, fan, 16W, 115V	2162716	Built before 3-6-17	
	Motor, fan, 16W, ECM, No Plugs	2160003	Built after 3-6-17	

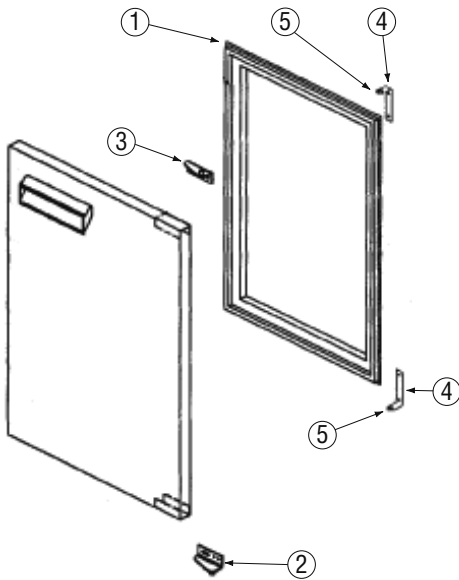
NOTE: [F] Re-piping may be required for installation.

F15PC60 - Evaporator Assembly Components



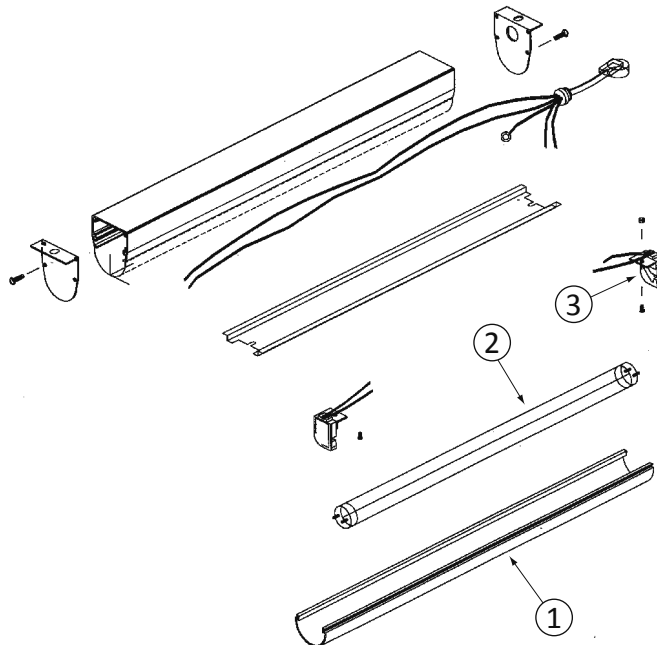
Key	Description	Part Number	Production Note
	Evaporator Coil Assembly, R404A, Ref	000-248-0030-S	Built before 3-6-17
	Evaporator Coil Assembly, R404A, Ref, F15 60" & 72" EC Models	000-248-0031-S	Built after 3-6-17
1	Guard, fan, 4.7"	2160024	
2	Fan, axial, 120V	2160023	Built before 3-6-17
2a	Fan, axial, EC, 100-240V, 50/60Hz	2160045	Built after 3-6-17
3	Coil, evaporator	3516095	
4	Back, evaporator, enclosure	030-232-0003-S	
5	Expansion valve, 1/4, R-404a	3516273	
6	Side, coil, angled, Right, 1 Fan	030-233-0001-S	
7	Drip pan, evaporator	000-BNH-0030-S	
8	Front, coil	030-234-0003-S	
9	Side, coil, angled, Left, 1 Fan	030-233-0002-S	
	Harness, coil	2184317	
	Probe, Defrost, Danfoss, Control	2194808	
	Probe, Temp, Sensor, Danfoss	2194809	

F15PC60 - Base Door Components



Key	Description	Part Number
	Door assembly, right, 19" x 26"	000-187-0066-S
	Door assembly, left, 19" x 26"	000-187-0067-S
1	Gasket, door, 19"	1701183
2	Hinge, door, top/LH, bottom/RH	3234072
3	Hinge, door, top/RH, bottom/LH	3234073
4	Hinge, cabinet, L-shaped	3234391
5	Bushing, nylon, hinge pin	9321107

F15PC60 - Fluorescent Light Components

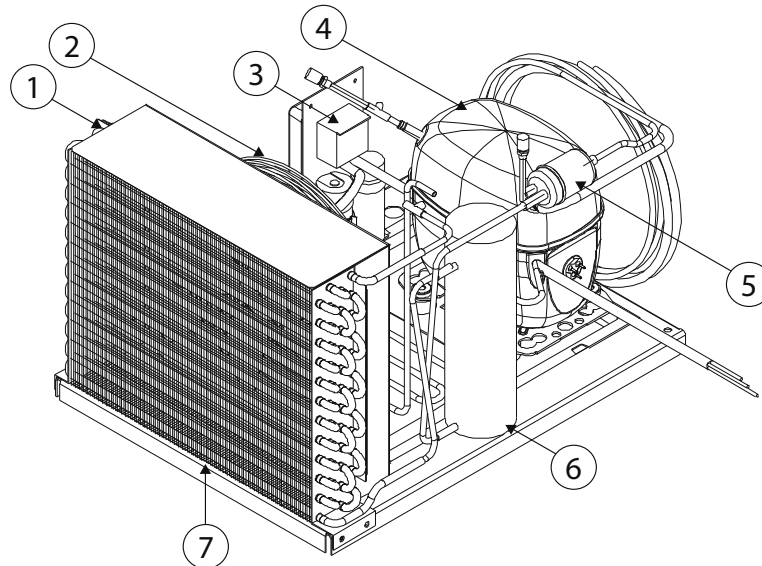


Key	Description	Part Number
	Fluorescent Light Assembly, 48.25, 9PIG	000-406-003L-S
1	Diffuser, fluorescent light, 48"	376-A0M-005B-S
2	Lamp, fluorescent, 48"	2193908
3	Lamp holder, 18"	2194289

F15SC60 - Common Components

Description	Part Number	Production Note
Ballast, electronic, program start, 1Bulb	2195377	
Bracket, fan motor, blower coil	031-264-0000-S	Built before 3-6-17
Bulb Seal Sold As 5ft Piece, Thermoseal® Door	3238560	
Bumper Door Stop, Thermoseal® Door	3239745	
Coil, evaporator, 48" & 60"	3516090	
Control, Danfoss, ETC1H-3, 115V	RF000083-S	Built before 3-6-17
Control, Refg, Double Hook Up	000-CZ0-0059KT-S	Built after 3-6-17
Control, Pressure, Dual	2193942	
Cord/plug assembly, 14/3, NEMA 5-20P	2183347	
Door Frame, Thermoseal® Door	3238543	
Fan Blade, 5.56", CCW, Clear	3516172-S	Built before 3-6-17
Fan Motor, 115V 50/60	2162691-S	Built before 3-6-17
Fan Axial, EC, 100-240V, 50/60Hz	2160045	Built after 3-6-17
Fan Guard	3516173-S	Built before 3-6-17
Fan Guard	2160024	Built after 3-6-17
Glass Door, Clear, Thermoseal® Door	3238547	
Glass Door, Reflective, Thermoseal® Door	3238551	
Harness, electrical	2184064	Built before 3-6-17
Harness, electrical	2196121	Built after 3-6-17
Hold Open Assembly, Thermoseal® Door	3239735	
Kerf Seal Sold As 6ft Piece, Thermoseal® Door	3238561	
Leg, 6" with mount plate (4 used on 48" — 6 used on 72")	3234645	
Lock, Thermoseal® Door	3239733	
Louver, 18", 17.94 x 26.34	356-303-0031-S	
Pan, drip, evaporator coil, 54" with recessed drain	000-BBO-0031-S	
Shelf, wire, 19" door, 14.38 x 25.25	3977984	
Shelf, wire, 23.78" x 55.25" (See Thru & Pass Thru)	3977975	
Shelf support, plastic, plug 1"	3234290	
Solenoid coil, 120V, 50-60Hz	3516053	
Solenoid coil 120V, Spade Terminal	3516103	Built before 3-6-17
Solenoid valve	3516102	
Stud, coil side, for shelf support	9321040	
Stud, wall side, for shelf support, 1/4x1.50	9321132	
Switch, power, 20A/125V, 15A/250V	2190154	Built before 3-6-17
Switch, power	2198717	Built after 3-6-17
Switch, rocker, light, 20A/125V, 15A/250V	2190154	Built before 3-6-17
Switch, rocker, light, 3 Position	2196143	Built after 3-6-17
Thermometer, hanging, 4"	3516135	
Thermostat, in-39.5D/out-22.5D	2194536-S	Built before 3-6-17
Thermostat, Digital	000-CZ0-0067KT-S	Built after 3-6-17
Valve, expansion, 1/2 ton, R404A	3516084	

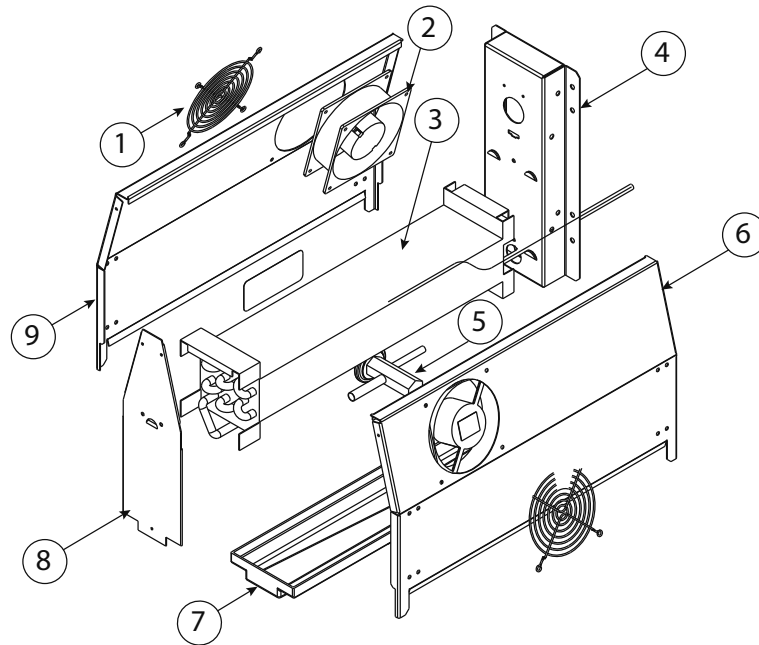
F15SC60 - Condensing Unit Components



Key	Description	Part Number	Production Note	Note
	Condensing Unit Assembly, 3/4 HP, R404A	000-BN5-0036-S	Built before 3-6-17	
	Condensing Unit Assembly, 3/4 HP, R404A	000-BN5-007R-S	Built after 3-6-17	
1	Shroud, 3/4 HP condenser coil	026-C58-0032-S		
2	Guard, fan, condenser, upright	2160019		
3	Capacitor, start, run, assembly	3516468		
4	Compressor, SC18MLX, 115V/60Hz	3527021		
5	Filter dryer, (2) inlet, .25"	3516322		
6	Tank, receiver	3516657	Built before 3-6-17	[F]
6a	Tank, receiver	3516590	Built after 3-6-17	
7	Coil, condenser, 3/4 HP	3516456		
	Pan, condensate	039-231-0031-S		
	Blade, fan 25°, 10", CW, upright	3516433		
	Motor, fan, 16W, 115V	2162716	Built before 3-6-17	
	Motor, fan, 16W, ECM, No Plugs	2160003	Built after 3-6-17	

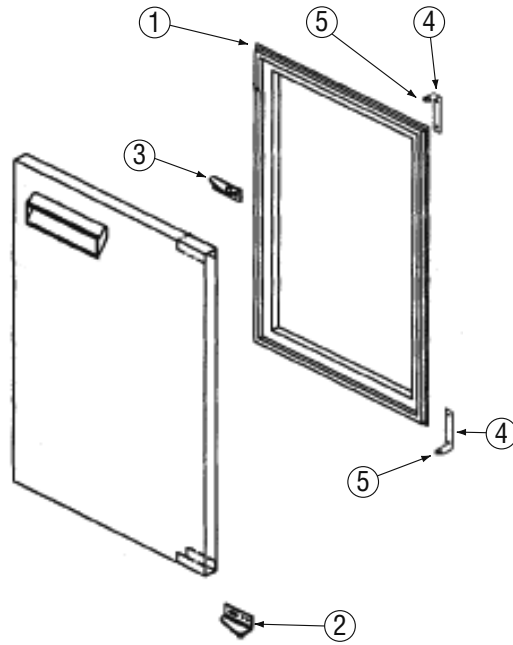
NOTE: [F] Re-piping may be required for installation.

F15SC60 - Evaporator Assembly Components



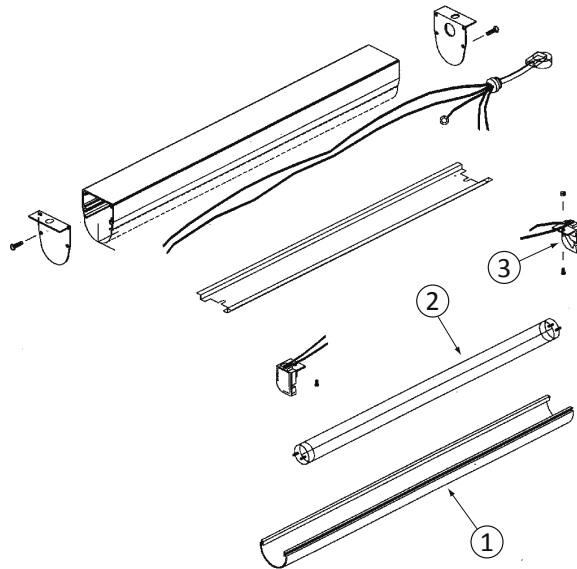
Key	Description	Part Number	Production Note
	Evaporator Coil Assembly, R404A, Ref	000-248-0030-S	Built before 3-6-17
	Evaporator Coil Assembly, R404A, Ref, F15 60" & 72" EC Models	000-248-0031-S	Built after 3-6-17
1	Guard, fan, 4.7"	2160024	
2	Fan, axial, 120V	2160023	Built before 3-6-17
2a	Fan, axial, EC, 100-240V, 50/60Hz	2160045	Built after 3-6-17
3	Coil, evaporator	3516095	
4	Back, evaporator, enclosure	030-232-0003-S	
5	Expansion valve, 1/4, R-404a	3516273	
6	Side, coil, angled, Right, 1 Fan	030-233-0001-S	
7	Drip pan, evaporator	000-BNH-0030-S	
8	Front, coil	030-234-0003-S	
9	Side, coil, angled, Left, 1 Fan	030-233-0002-S	
	Harness, coil	2184317	
	Probe, Defrost, Danfoss, Control	2194808	
	Probe, Temp, Sensor, Danfoss	2194809	

F15SC60 - Base Door Components



Key	Description	Part Number
	Door assembly, right, 19" x 26"	000-187-0066-S
	Door assembly, left, 19" x 26"	000-187-0067-S
1	Gasket, door, 19"	1701183
2	Hinge, door, top/LH, bottom/RH	3234072
3	Hinge, door, top/RH, bottom/LH	3234073
4	Hinge, cabinet, L-shaped	3234391
5	Bushing, nylon, hinge pin	9321107

F15SC60 - Fluorescent Light Components

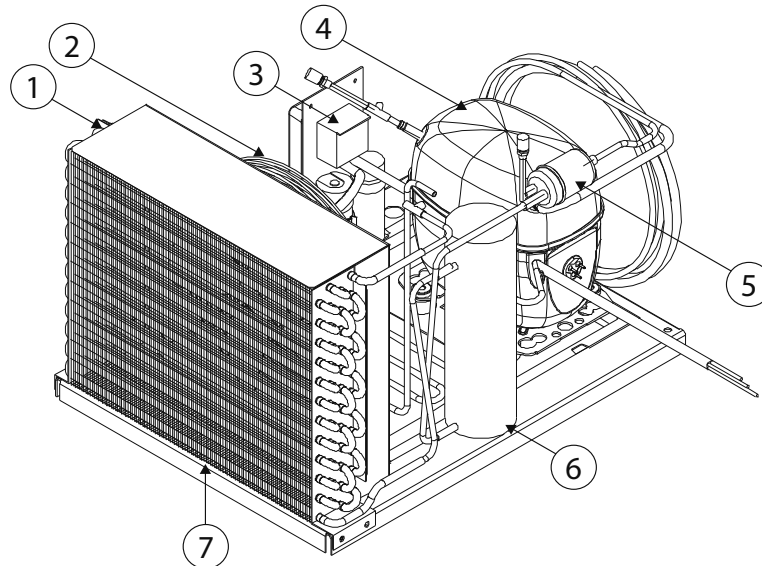


Key	Description	Part Number
	Fluorescent Light Assembly, 48.25, 9PIG	000-406-003L-S
1	Diffuser, fluorescent light, 48"	376-A0M-005B-S
2	Lamp, fluorescent, 48"	2193908
3	Lamp holder, 18"	2194289

F15MC72 - Common Components

Description	Part Number	Production Note
Ballast, electronic, program start, 1Bulb	2195377	
Bearing, roller, double, Anthony® door	3234637	Built before 3-6-17
Bracket, fan motor, blower coil	031-264-0000-S	Built before 3-6-17
Bulb Seal Sold As 5ft Piece, Thermoseal® door	3238560	Built after 3-6-17
Bumper Door Stop, Thermoseal® door	3239745	Built after 3-6-17
Coil, evaporator, 72"	3516091	
Control, Danfoss, ETC1H-3, 115V	RF000083-S	Built before 3-6-17
Control, Refg, Double Hook Up	000-CZ0-0059KT-S	Built after 3-6-17
Control, Pressure, Dual	2193942	
Cord/plug assembly, 14/3, NEMA 5-20P	2183347	
Door Frame, Thermoseal® door	3238544	Built after 3-6-17
Fan Blade, 5.56", CCW, Clear	3516172-S	Built before 3-6-17
Fan Motor, 115V 50/60	2162691-S	Built before 3-6-17
Fan Axial, EC, 100-240V, 50/60Hz	2160045	Built after 3-6-17
Fan Guard	3516173-S	Built before 3-6-17
Fan Guard	2160024	Built after 3-6-17
Gasket, bumper, 31 13/16", Anthony® door	3234808	Built before 3-6-17
Gasket, wiper strip, 30 3/8", Anthony® door	3234809	Built before 3-6-17
Glass Door, Clear, Thermoseal® door	3238548	Built after 3-6-17
Glass Door, Reflective, Thermoseal® door	3238552	Built after 3-6-17
Harness, electrical	2184064	Built before 3-6-17
Harness, electrical	2196121	Built after 3-6-17
Hold Open Assembly, Thermoseal® door	3239735	Built after 3-6-17
Kerf Seal Sold As 6ft Piece, Thermoseal® door	3238561	Built after 3-6-17
Leg, 6" with mount plate (4 used on 48" — 6 used on 72")	3234645	
Lock, Anthony® door	3237549	Built before 2007
Lock, Anthony® door	3233986	Built between 2007 & 3-6-17
Lock, Thermoseal® door	3239733	Built after 3-6-17
Louver, 18", 17.94 x 26.34	356-303-0031-S	
Mirror, glass, top, 72"	3455418	
Pan, drip, evaporator coil, 66" with flat bottom	PMK00011	
Pan, drip, evaporator coil, 66" with recessed drain	000-BBO-0032-S	
See through panel, Anthony® door	3455399	Built before 3-6-17
Shelf, wire, 15.75" x 67.25" (Mirror Back)	3978061	
Shelf, wire, 21.75" x 67.25" (Mirror Back)	3978062	
Shelf, wire, 27" door, 22.56 x 25.25	3978014	
Shelf support, plastic, plug 1"	3234290	
Solenoid coil, 120V, 50-60Hz	3516053	
Solenoid coil 120V, Spade Terminal	3516103	Built before 3-6-17
Solenoid valve	3516102	
Spring, 30" gold, Anthony® door	3233946	Built before 3-6-17
Stud, coil side, for shelf support	9321040	
Stud, wall side, for shelf support, 1/4x1.50	9321132	
Switch, power, 20A/125V, 15A/250V	2190154	Built before 3-6-17
Switch, power	2198717	Built after 3-6-17
Switch, rocker, light, 20A/125V, 15A/250V	2190154	Built before 3-6-17
Switch, rocker, light, 3 Position	2196143	Built after 3-6-17
Thermometer, hanging, 4"	3516135	
Thermostat, in-39.5D/out-22.5D	2194536-S	Built before 3-6-17
Thermostat, Digital	000-CZ0-0067KT-S	Built after 3-6-17
Track, bottom, 67 7/16", Anthony® door	3234805	Built before 3-6-17
Track, top, 68 7/16", Anthony® door	3234802	Built before 3-6-17
Valve, expansion, 1/2 ton, R404A	3516084	

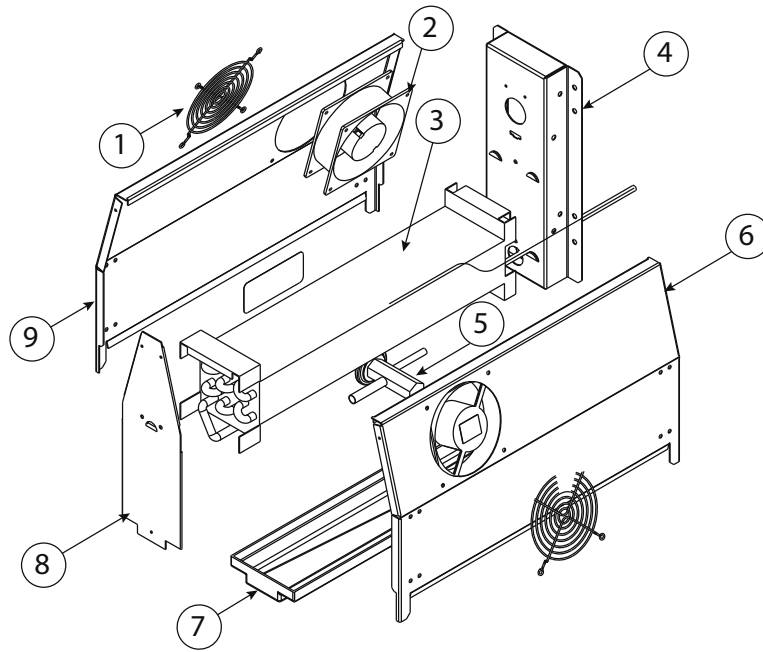
F15MC72 - Condensing Unit Components



Key	Description	Part Number	Production Note	Note
	Condensing Unit Assembly, 3/4 HP, R404A	000-BN5-0036-S	Built before 3-6-17	
	Condensing Unit Assembly, 3/4 HP, R404A	000-BN5-007R-S	Built after 3-6-17	
1	Shroud, 3/4 HP condenser coil	026-C58-0032-S		
2	Guard, fan, condenser, upright	2160019		
3	Capacitor, start, run, assembly	3516468		
4	Compressor, SC18MLX, 115V/60Hz	3527021		
5	Filter dryer, (2) inlet, .25"	3516322		
6	Tank, receiver	3516657	Built before 3-6-17	[F]
6a	Tank, receiver	3516590	Built after 3-6-17	
7	Coil, condenser, 3/4 HP	3516456		
	Pan, condensate	039-231-0031-S		
	Blade, fan 25°, 10", CW, upright	3516433		
	Motor, fan, 16W, 115V	2162716	Built before 3-6-17	
	Motor, fan, 16W, ECM, No Plugs	2160003	Built after 3-6-17	

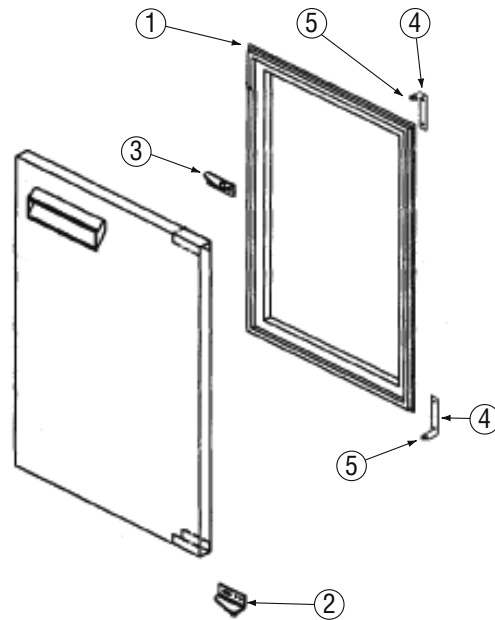
NOTE: [F] Re-piping may be required for installation.

F15MC72 - Evaporator Assembly Components



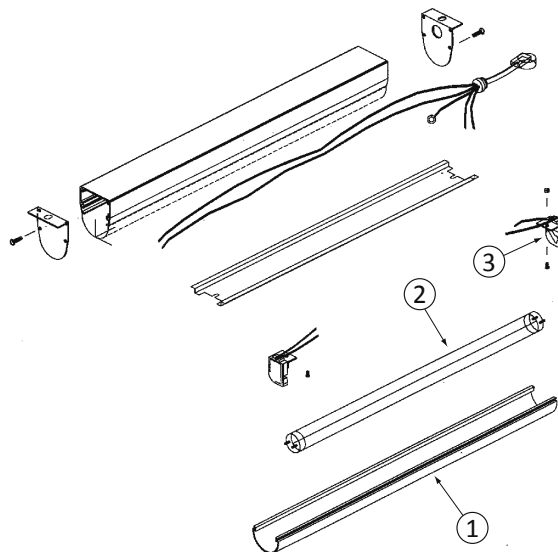
Key	Description	Part Number	Production Note
	Evaporator Coil Assembly, R404A, Ref	000-248-0030-S	Built before 3-6-17
	Evaporator Coil Assembly, R404A, Ref, F15 60" & 72" EC Models	000-248-003i-S	Built after 3-6-17
1	Guard, fan, 4.7"	2160024	
2	Fan, axial, 120V	2160023	Built before 3-6-17
2a	Fan, axial, EC, 100-240V, 50/60Hz	2160045	Built after 3-6-17
3	Coil, evaporator	3516095	
4	Back, evaporator, enclosure	030-232-0003-S	
5	Expansion valve, 1/4, R-404a	3516273	
6	Side, coil, angled, Right, 1 Fan	030-233-0001-S	
7	Drip pan, evaporator	000-BNH-0030-S	
8	Front, coil	030-234-0003-S	
9	Side, coil, angled, Left, 1 Fan	030-233-0002-S	
	Harness, coil	2184317	
	Probe, Defrost, Danfoss, Control	2194808	
	Probe, Temp, Sensor, Danfoss	2194809	

F15MC72 - Base Door Components



Key	Description	Part Number
	Door assembly, right, 27" x 26"	000-187-006A-S
	Door assembly, left, 27" x 26"	000-187-006B-S
	Gasket, door, 27"	1701185
2	Hinge, door, top/LH, bottom/RH	3234072
3	Hinge, door, top/RH, bottom/LH	3234073
4	Hinge, cabinet, L-shaped	3234391
5	Bushing, nylon, hinge pin	9321107

F15MC72 - Fluorescent Light Components

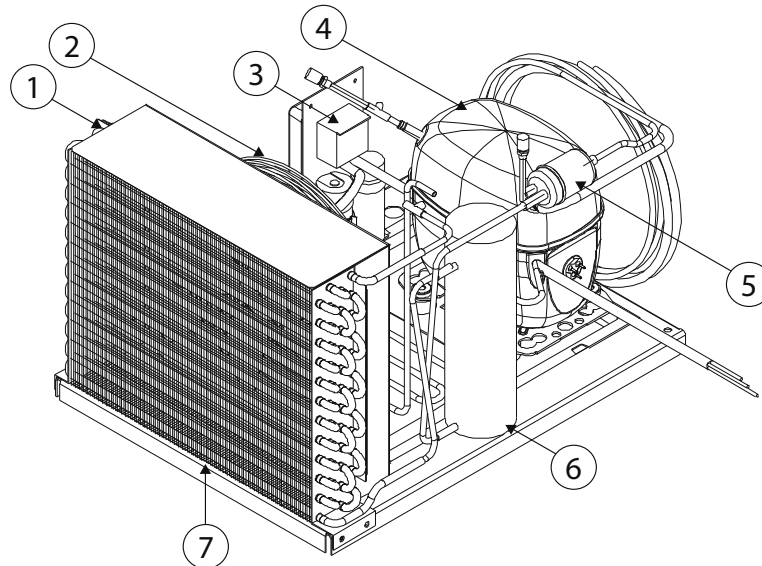


Key	Description	Part Number
	Fluorescent Light Assembly, 48.25, 3.5PIG	000-406-003Q-S
	Fluorescent Light Assembly, 60.25, 9PIG	000-406-003M-S
1	Diffuser, fluorescent light, 48"	376-A0M-005B-S
1a	Diffuser, fluorescent light, 60"	376-A0M-005C-S
2	Lamp, fluorescent, 48"	2193908
2a	Lamp, fluorescent, 60"	2193909
3	Lamp holder, 18"	2194289

F15PC72 - Common Components

Description	Part Number	Production Note
Ballast, electronic, program start, 1Bulb	2195377	
Bearing, roller, double, Anthony® door	3234637	Built before 3-6-17
Bracket, fan motor, blower coil	031-264-0000-S	Built before 3-6-17
Bulb Seal Sold As 5ft Piece, Thermoseal® door	3238560	Built after 3-6-17
Bumper Door Stop, Thermoseal® door	3239745	Built after 3-6-17
Coil, evaporator, 72"	3516091	
Control, Danfoss, ETC1H-3, 115V	RF000083-S	Built before 3-6-17
Control, Refg, Double Hook Up	000-CZ0-0059KT-S	Built after 3-6-17
Control, Pressure, Dual	2193942	
Cord/plug assembly, 14/3, NEMA 5-20P	2183347	
Door Frame, Thermoseal® door	3238544	Built after 3-6-17
Fan Blade, 5.56", CCW, Clear	3516172-S	Built before 3-6-17
Fan Motor, 115V 50/60	2162691-S	Built before 3-6-17
Fan Axial, EC, 100-240V, 50/60Hz	2160045	Built after 3-6-17
Fan Guard	3516173-S	Built before 3-6-17
Fan Guard	2160024	Built after 3-6-17
Gasket, bumper, 31 13/16", Anthony® door	3234808	Built before 3-6-17
Gasket, wiper strip, 30 3/8", Anthony® door	3234809	Built before 3-6-17
Glass Door, Clear, Thermoseal® door	3238548	Built after 3-6-17
Glass Door, Reflective, Thermoseal® door	3238552	Built after 3-6-17
Harness, electrical	2184064	Built before 3-6-17
Harness, electrical	2196121	Built after 3-6-17
Hold Open Assembly, Thermoseal® door	3239735	Built after 3-6-17
Kerf Seal Sold As 6ft Piece, Thermoseal® door	3238561	Built after 3-6-17
Leg, 6" with mount plate (4 used on 48" — 6 used on 72")	3234645	
Lock, Anthony® door	3237549	Built before 2007
Lock, Anthony® door	3233986	Built between 2007 & 3-6-17
Lock, Thermoseal® door	3239733	Built after 3-6-17
Louver, 18", 17.94 x 26.34	356-303-0031-S	
Pan, drip, evaporator coil, 66" with flat bottom	PMK00011	
Pan, drip, evaporator coil, 66" with recessed drain	000-BBO-0032-S	
See through panel, Anthony® door	3455399	Built before 3-6-17
Shelf, wire, 17.75" x 67.25" (See Thru & Pass Thru)	3978063	
Shelf, wire, 23.75" x 67.25" (See Thru & Pass Thru)	3978064	
Shelf, wire, 27" door, 22.56 x 25.25	3978014	
Shelf support, plastic, plug 1"	3234290	
Solenoid coil, 120V, 50-60Hz	3516053	
Solenoid coil 120V, Spade Terminal	3516103	Built before 3-6-17
Solenoid valve	3516102	
Spring, 30" gold, Anthony® door	3233946	Built before 3-6-17
Stud, coil side, for shelf support	9321040	
Stud, wall side, for shelf support, 1/4x1.50	9321132	
Switch, power, 20A/125V, 15A/250V	2190154	Built before 3-6-17
Switch, power	2198717	Built after 3-6-17
Switch, rocker, light, 20A/125V, 15A/250V	2190154	Built before 3-6-17
Switch, rocker, light, 3 Position	2196143	Built after 3-6-17
Thermometer, hanging, 4"	3516135	
Thermostat, in-39.5D/out-22.5D	2194536-S	Built before 3-6-17
Thermostat, Digital	000-CZ0-0067KT-S	Built after 3-6-17
Track, bottom, 67 7/16", Anthony® door	3234805	Built before 3-6-17
Track, top, 68 7/16", Anthony® door	3234802	Built before 3-6-17
Valve, expansion, 1/2 ton, R404A	3516084	

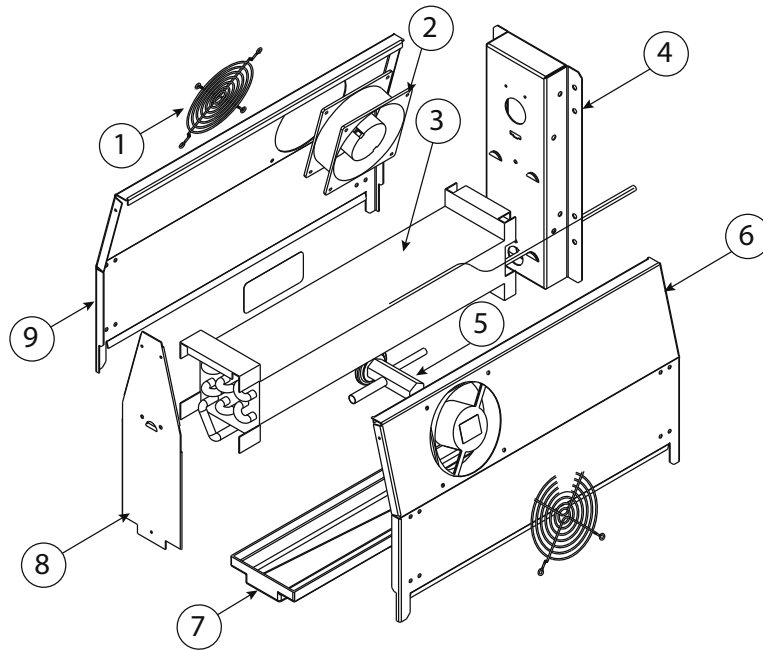
F15PC72 - Condensing Unit Components



Key	Description	Part Number	Production Note	Note
	Condensing Unit Assembly, 3/4 HP, R404A	000-BN5-0036-S	Built before 3-6-17	
	Condensing Unit Assembly, 3/4 HP, R404A	000-BN5-007R-S	Built after 3-6-17	
1	Shroud, 3/4 HP condenser coil	026-C58-0032-S		
2	Guard, fan, condenser, upright	2160019		
3	Capacitor, start, run, assembly	3516468		
4	Compressor, SC18MLX, 115V/60Hz	3527021		
5	Filter dryer, (2) inlet, .25"	3516322		
6	Tank, receiver	3516657	Built before 3-6-17	[F]
6a	Tank, receiver	3516590	Built after 3-6-17	
7	Coil, condenser, 3/4 HP	3516456		
	Pan, condensate	039-231-0031-S		
	Blade, fan 25°, 10", CW, upright	3516433		
	Motor, fan, 16W, 115V	2162716	Built before 3-6-17	
	Motor, fan, 16W, ECM, No Plugs	2160003	Built after 3-6-17	

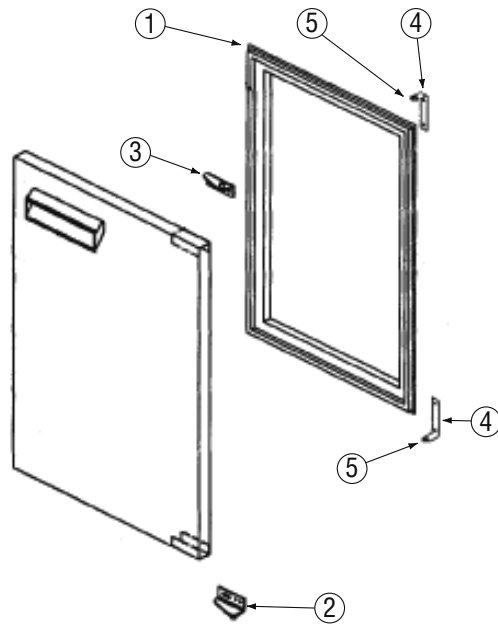
NOTE: [F] Re-piping may be required for installation.

F15PC72 - Evaporator Assembly Components



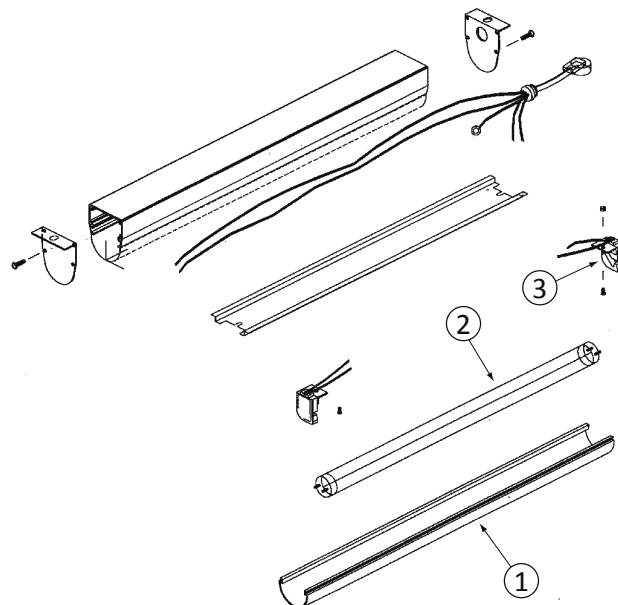
Key	Description	Part Number	Production Note
	Evaporator Coil Assembly, R404A, Ref	000-248-0030-S	Built before 3-6-17
	Evaporator Coil Assembly, R404A, Ref, F15 60" & 72" EC Models	000-248-003i-S	Built after 3-6-17
1	Guard, fan, 4.7"	2160024	
2	Fan, axial, 120V	2160023	Built before 3-6-17
2a	Fan, axial, EC, 100-240V, 50/60Hz	2160045	Built after 3-6-17
3	Coil, evaporator	3516095	
4	Back, evaporator, enclosure	030-232-0003-S	
5	Expansion valve, 1/4, R-404a	3516273	
6	Side, coil, angled, Right, 1 Fan	030-233-0001-S	
7	Drip pan, evaporator	000-BNH-0030-S	
8	Front, coil	030-234-0003-S	
9	Side, coil, angled, Left, 1 Fan	030-233-0002-S	
	Harness, coil	2184317	
	Probe, Defrost, Danfoss, Control	2194808	
	Probe, Temp, Sensor, Danfoss	2194809	

F15PC72 - Base Door Components



Key	Description	Part Number
	Door assembly, right, 27" x 26"	000-187-006A-S
	Door assembly, left, 27" x 26"	000-187-006B-S
	Gasket, door, 27"	1701185
2	Hinge, door, top/LH, bottom/RH	3234072
3	Hinge, door, top/RH, bottom/LH	3234073
4	Hinge, cabinet, L-shaped	3234391
5	Bushing, nylon, hinge pin	9321107

F15PC72 - Fluorescent Light Components

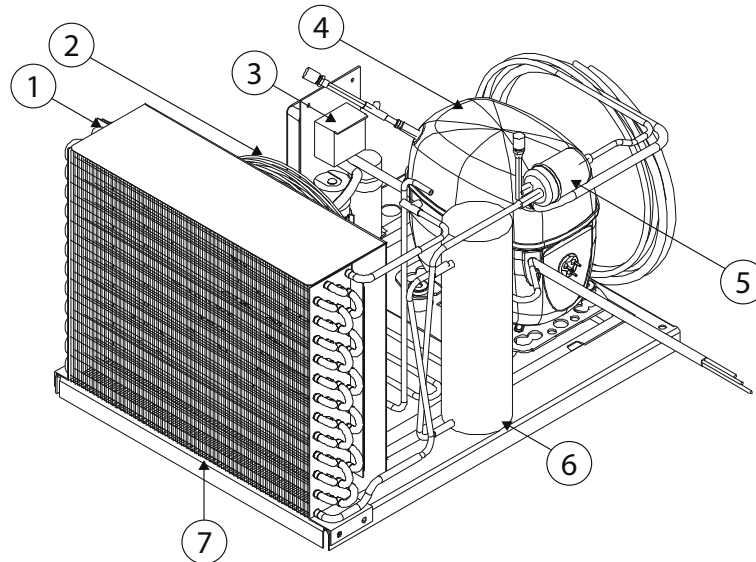


Key	Description	Part Number
	Fluorescent Light Assembly, 60.25, 9PIG	000-406-003M-S
1	Diffuser, fluorescent light, 60"	376-A0M-005C-S
2	Lamp, fluorescent, 60"	2193909
3	Lamp holder, 18"	2194289

F15SC72 - Common Components

Description	Part Number	Production Note
Ballast, electronic, program start, 1Bulb	2195377	
Bearing, roller, double, Anthony® door	3234637	Built before 3-6-17
Bracket, fan motor, blower coil	031-264-0000-S	Built before 3-6-17
Bulb Seal Sold As 5ft Piece, Thermoseal® door	3238560	Built after 3-6-17
Bumper Door Stop, Thermoseal® door	3239745	Built after 3-6-17
Coil, evaporator, 72"	3516091	
Control, Danfoss, ETC1H-3, 115V	RF000083-S	Built before 3-6-17
Control, Refg, Double Hook Up	000-CZ0-0059KT-S	Built after 3-6-17
Control, Pressure, Dual	2193942	
Cord/plug assembly, 14/3, NEMA 5-20P	2183347	
Door Frame, Thermoseal® door	3238544	Built after 3-6-17
Fan Blade, 5.56", CCW, Clear	3516172-S	Built before 3-6-17
Fan Motor, 115V 50/60	2162691-S	Built before 3-6-17
Fan Axial, EC, 100-240V, 50/60Hz	2160045	Built after 3-6-17
Fan Guard	3516173-S	Built before 3-6-17
Fan Guard	2160024	Built after 3-6-17
Gasket, bumper, 31 13/16", Anthony® door	3234808	Built before 3-6-17
Gasket, wiper strip, 30 3/8", Anthony® door	3234809	Built before 3-6-17
Glass Door, Clear, Thermoseal® door	3238548	Built after 3-6-17
Glass Door, Reflective, Thermoseal® door	3238552	Built after 3-6-17
Harness, electrical	2184064	Built before 3-6-17
Harness, electrical	2196121	Built after 3-6-17
Hold Open Assembly, Thermoseal® door	3239735	Built after 3-6-17
Kerf Seal Sold As 6ft Piece, Thermoseal® door	3238561	Built after 3-6-17
Leg, 6" with mount plate (4 used on 48" — 6 used on 72")	3234645	
Lock, Anthony® door	3237549	Built before 2007
Lock, Anthony® door	3233986	Built between 2007 & 3-6-17
Lock, Thermoseal® door	3239733	Built after 3-6-17
Louver, 18", 17.94 x 26.34	356-303-0031-S	
Pan, drip, evaporator coil, 66" with flat bottom	PMK00011	
Pan, drip, evaporator coil, 66" with recessed drain	000-BBO-0032-S	
See through panel, Anthony® door	3455399	Built before 3-6-17
Shelf, wire, 17.75" x 67.25" (See Thru & Pass Thru)	3978063	
Shelf, wire, 23.75" x 67.25" (See Thru & Pass Thru)	3978064	
Shelf, wire, 27" door, 22.56 x 25.25	3978014	
Shelf support, plastic, plug 1"	3234290	
Solenoid coil, 120V, 50-60Hz	3516053	
Solenoid coil 120V, Spade Terminal	3516103	Built before 3-6-17
Solenoid valve	3516102	
Spring, 30" gold, Anthony® door	3233946	Built before 3-6-17
Stud, coil side, for shelf support	9321040	
Stud, wall side, for shelf support, 1/4x1.50	9321132	
Switch, power, 20A/125V, 15A/250V	2190154	Built before 3-6-17
Switch, power	2198717	Built after 3-6-17
Switch, rocker, light, 20A/125V, 15A/250V	2190154	Built before 3-6-17
Switch, rocker, light, 3 Position	2196143	Built after 3-6-17
Thermometer, hanging, 4"	3516135	
Thermostat, in-39.5D/out-22.5D	2194536-S	Built before 3-6-17
Thermostat, Digital	000-CZ0-0067KT-S	Built after 3-6-17
Track, bottom, 67 7/16", Anthony® door	3234805	Built before 3-6-17
Track, top, 68 7/16", Anthony® door	3234802	Built before 3-6-17
Valve, expansion, 1/2 ton, R404A	3516084	

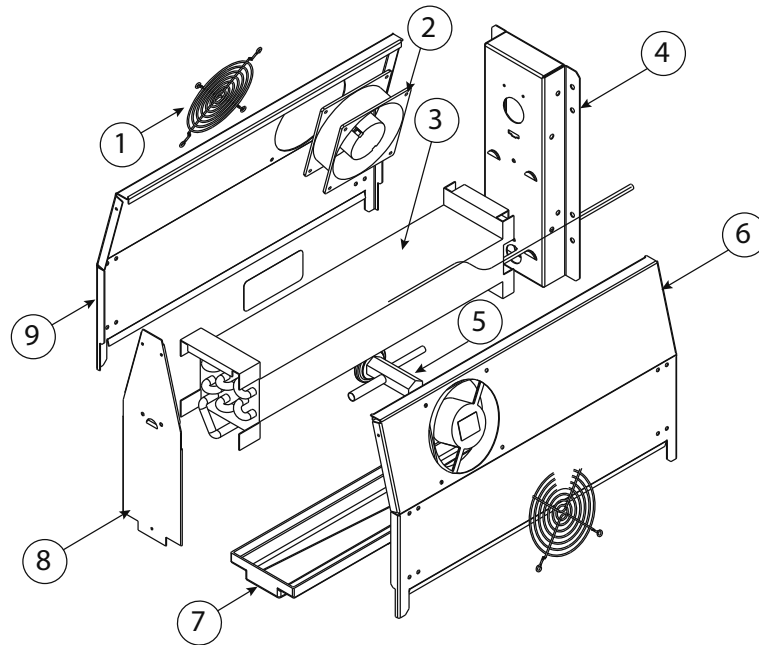
F15SC72 - Condensing Unit Components



Key	Description	Part Number	Production Note	Note
	Condensing Unit Assembly, 3/4 HP, R404A	000-BN5-0036-S	Built before 3-6-17	
	Condensing Unit Assembly, 3/4 HP, R404A	000-BN5-007R-S	Built after 3-6-17	
1	Shroud, 3/4 HP condenser coil	026-C58-0032-S		
2	Guard, fan, condenser, upright	2160019		
3	Capacitor, start, run, assembly	3516468		
4	Compressor, SC18MLX, 115V/60Hz	3527021		
5	Filter dryer, (2) inlet, .25"	3516322		
6	Tank, receiver	3516657	Built before 3-6-17	[F]
6a	Tank, receiver	3516590	Built after 3-6-17	
7	Coil, condenser, 3/4 HP	3516456		
	Pan, condensate	039-231-0031-S		
	Blade, fan 25°, 10", CW, upright	3516433		
	Motor, fan, 16W, 115V	2162716	Built before 3-6-17	
	Motor, fan, 16W, ECM, No Plugs	2160003	Built after 3-6-17	

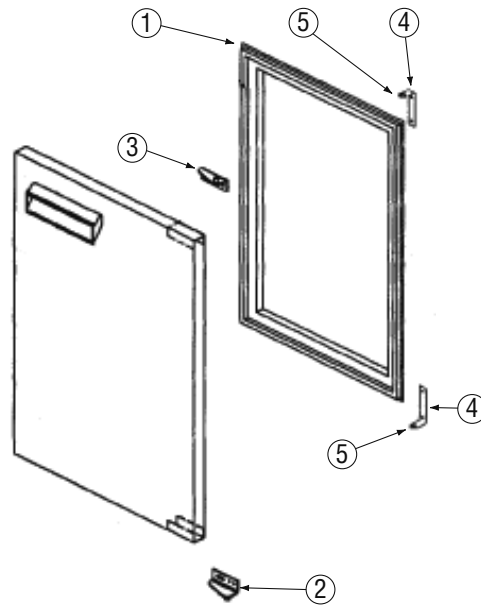
NOTE: [F] Re-piping may be required for installation.

F15SC72 - Evaporator Assembly Components



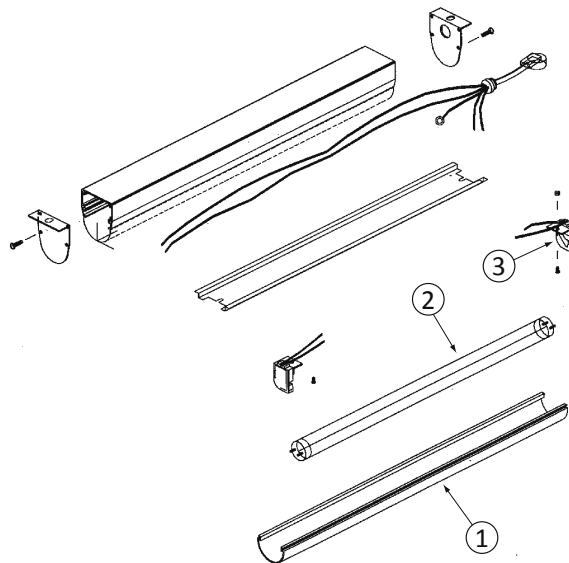
Key	Description	Part Number	Production Note
	Evaporator Coil Assembly, R404A, Ref	000-248-0030-S	Built before 3-6-17
	Evaporator Coil Assembly, R404A, Ref, F15 60" & 72" EC Models	000-248-0031-S	Built after 3-6-17
1	Guard, fan, 4.7"	2160024	
2	Fan, axial, 120V	2160023	Built before 3-6-17
2a	Fan, axial, EC, 100-240V, 50/60Hz	2160045	Built after 3-6-17
3	Coil, evaporator	3516095	
4	Back, evaporator, enclosure	030-232-0003-S	
5	Expansion valve, 1/4, R-404a	3516273	
6	Side, coil, angled, Right, 1 Fan	030-233-0001-S	
7	Drip pan, evaporator	000-BNH-0030-S	
8	Front, coil	030-234-0003-S	
9	Side, coil, angled, Left, 1 Fan	030-233-0002-S	
	Harness, coil	2184317	
	Probe, Defrost, Danfoss, Control	2194808	
	Probe, Temp, Sensor, Danfoss	2194809	

F15SC72 - Base Door Components



Key	Description	Part Number
	Door assembly, right, 27" x 26"	000-187-006A-S
	Door assembly, left, 27" x 26"	000-187-006B-S
	Gasket, door, 27"	1701185
2	Hinge, door, top/LH, bottom/RH	3234072
3	Hinge, door, top/RH, bottom/LH	3234073
4	Hinge, cabinet, L-shaped	3234391
5	Bushing, nylon, hinge pin	9321107

F15SC72 - Fluorescent Light Components



Key	Description	Part Number
	Fluorescent Light Assembly, 60.25, 9PIG	000-406-003M-S
1	Diffuser, fluorescent light, 60"	376-A0M-005C-S
2	Lamp, fluorescent, 60"	2193909
3	Lamp holder, 18"	2194289

**WWW.WELBILT.COM**

Welbilt provides the world's top chefs, and premier chain operators or growing independents with industry leading equipment and solutions. Our cutting-edge designs and lean manufacturing tactics are powered by deep knowledge, operator insights, and culinary expertise. All of our products are backed by KitchenCare® – our aftermarket, repair, and parts service.

- ▶ CLEVELAND
- ▶ CONVOTHERM®
- ▶ DELFIELD®
- ▶ FITKITCHEN™
- ▶ FRYMASTER®
- ▶ GARLAND
- ▶ KOLPAK®
- ▶ LINCOLN
- ▶ MANITOWOC®
- ▶ MERCO®
- ▶ MERRYCHEF®
- ▶ MULTIPLEX®