

# F2000 and F17 Series Equipment Stands

## Parts List

### Contents

F17C-P R290 Components Per Model.....	2
F17DD Common Components.....	3
F17FC94P R290 Components .....	3
F17FR-V Components Per Model.....	4
F17OS Common Components.....	5
F17R-V Components Per Model.....	5
F2600P R290 Replacement Parts Per Model.....	6
F2700V Replacement Parts Per Model.....	7
F2800V Components Per Model.....	8
F2900P R290 Components Per Model .....	9
R290 Condensing Unit Assemblies.....	11
R404A Condensing Unit Assemblies.....	14
Refrigerator Evaporator Assemblies.....	17
Freezer Evaporator Assemblies .....	20
Drawer Assemblies .....	21
Condensate Evaporator Pan Assembly .....	22
Cutting Board Brackets.....	22
Louvered Panels.....	22

## F17C-P R290 Components Per Model

Description	Part Number	F17C52P	F17C60P	F17C62P	F17C73P	F17C75P	F17C78P	F17C87P	F17C110P	Note
Bracket, cutting board, left hand	000-405-0031-S	X	X	X	X	X	X	X	X	[O]
Bracket, cutting board, right hand	000-405-0035-S	X	X	X	X	X	X	X	X	[O]
Cable, Display, Danfoss	2194791	X	X	X	X	X	X	X	X	
Clip, Coil Air Baffle, Left	243-209-0031-S	X	X	X	X	X	X	X	X	
Clip, Coil Air Baffle, Right	243-209-0032-S		X	X	X	X	X	X	X	
Coil Assembly, R290, Fan Lt, EC	000-248-0040-S	X								[H]
Coil Assembly, R290, Ref, EC Fan	000-248-003U-S		X	X	X	X	X	X	X	[H]
Coil Assembly, R290, No Probe, EC Fan, Built before 12-1-17	000-248-003Y-S							X	X	[H]
Coil Assembly, R290, Defrost Probe, EC Fan, Built after 12-1-17	000-248-004B-S							X	X	[H]
Condensing Unit Assembly, 1/5 HP, R290	000-BN5-007U-S	X	X	X						[A]
Condensing Unit Assembly, 1/4 HP, R290	000-BN5-007V-S				X	X	X	X		[A]
Condensing Unit Assembly, 1/3 HP, R290	000-BN5-007X-S								X	[A]
Control Assembly, Refg, MK7, for 87" & 110" Built before 12-1-17	000-CZ0-0061kt-s	X	X	X	X	X	X	X	X	
Control Assembly, Refg, Mk7, Dual Defrost, Built after 12-1-17	000-CZ0-0086KT-S							X	X	
Drawer Assembly, 19" lo profile	000-AEW-0066-S		X					X		[M]
Drawer Assembly, 24" lo profile	000-AEW-0065-S			X						[M]
Drawer Assembly, 27" lo profile	000-AEW-0064-S		X		X	X		X		[M]
Drawer Assembly, 32" lo profile	000-AEW-0063-S	X			X	X	X		X	[M]
Leg, 6, S/S, Removable Foot	3234645	X	X	X	X	X	X	X	X	
Switch, Appliance	2198717	X	X	X	X	X	X	X	X	

**NOTE:** [A] R290 Condensing Unit Assemblies start on page 11.

**NOTE:** [H] Refrigerator Evaporator Assemblies start on page 17.

**NOTE:** [M] Drawer Assemblies on page 21.

**NOTE:** [O] Cutting Board Brackets on page 22.

## Obsolete F17C R404A Components Per Model

R404A models replacement parts only. Units are no longer in production as of 3-30-17.

Description	Part Number	F17C52	F17C60	F17C68	F17C78	F17C87	F17C95	F17C110	Note
Bracket, cutting board, left hand	000-405-0031-S	X	X	X	X	X	X	X	[O]
Bracket, cutting board, right hand	000-405-0035-S	X	X	X	X	X	X	X	[O]
Cable, Display, Danfoss	2194791	X	X	X	X	X	X	X	
Clip, Coil Air Baffle, Left	243-209-0031-S	X	X	X	X	X	X	X	
Clip, Coil Air Baffle, Right	243-209-0032-S		X	X	X	X	X	X	
Coil Assembly, R404A, Ref	000-248-0030-S		X	X	X	X	X	X	[H]
Coil Assembly, R404A, Ref, Fan Lt	000-248-0037-S	X							[H]
Condensing Unit Assembly, 1/5 HP	000-BN5-0031-S	X	X	X					[D]
Condensing Unit Assembly, 1/4 HP	000-BN5-0030-S				X	X	X		[D]
Condensing Unit Assembly, 1/3 HP	000-BN5-0037-S							X	[D]
Control, Danfoss, GDM, 115V	RF000084	X	X	X	X	X	X	X	
Display, Danfoss	2194792	X	X	X	X	X	X	X	
Drawer Assembly, 19" lo profile	000-AEW-0066-S		X			X			[M]
Drawer Assembly, 27" lo profile	000-AEW-0064-S		X	X		X	X		[M]
Drawer Assembly, 32" lo profile	000-AEW-0063-S	X			X			X	[M]
Knob, Control	2194761	X	X	X	X	X	X	X	
Leg, 6, S/S, Removable Foot	3234645	X	X	X	X	X	X	X	
Switch, Rocker, 20A/125V	2190154	X	X	X	X	X	X	X	

**NOTE:** [D] R404A Condensing Unit Assemblies start on page 14.

**NOTE:** [H] Refrigerator Evaporator Assemblies start on page 17.

**NOTE:** [M] Drawer Assemblies on page 21.

**NOTE:** [O] Cutting Board Brackets on page 22.

## F17DD Common Components

Description	Part Number	Note
Bracket, cutting board, left hand	000-405-0031-S	[O]
Bracket, cutting board, right hand	000-405-0035-S	[O]

**NOTE:** [O] Cutting Board Brackets on page 22.

## F17FC94P R290 Components

Description	Part Number	Note
Bracket, cutting board, left hand	000-405-0031-S	[O]
Bracket, cutting board, right hand	000-405-0035-S	[O]
Cable, Display, Danfoss	2194791	
Coil Assembly, Freezer Evaporator, R290	000-249-0031-S	[K]
Condenser Assembly, Dual 1/3HP, R290, Low, Split System	000-BN5-007Z-S	[A]
Control, Freezer	000-CZ0-0053kt-s	
Drawer Assembly, 32" freezer, lo-profile, 1 Hi, 201	000-AEW-0088-S	[M]
Leg, 6, S/S, Removable Foot	3234645	
Panel, louver, 24"	356-478-0046-S	
Switch, Appliance	2198717	
Switch, Rocker	2194959	

**NOTE:** [A] R290 Condensing Unit Assemblies start on page 11.

**NOTE:** [K] Freezer Evaporator Assemblies on page 20.

**NOTE:** [M] Drawer Assemblies on page 21.

**NOTE:** [O] Cutting Board Brackets on page 22.

## Obsolete F17FC R404A Components Per Model

R404A models replacement parts only. Units are no longer in production as of 3-30-17.

Description	Part Number	F17FC60	F17FC76	F17FC84	F17FC94	Note
Bracket, cutting board, left hand	000-405-0031-S	X	X	X	X	[O]
Bracket, cutting board, right hand	000-405-0035-S	X	X	X	X	[O]
Cable, Display, Danfoss	2194791	X	X	X	X	
Coil Assembly, Freezer Evaporator, R404A	000-249-0004-S	X	X	X	X	[K]
Condenser Assembly, 1/2HP, Low	000-BN5-0054-S	X				[D]
Condenser Assembly, 3/4 HP, Low	000-BN5-0055-S		X	X	X	[D]
Control, Freezer, 115V	RF000085	X	X	X	X	
Control, Pressure, High	3516247		X	X	X	
Display, Danfoss	2194792	X	X	X	X	
Drawer Assembly, 19" freezer, lo-profile	000-AEW-006J-S		X			[M]
Drawer Assembly, 27" freezer, lo-profile	000-AEW-006H-S		X	X		[M]
Drawer Assembly, 32" freezer, lo-profile	000-AEW-006G-S	X			X	[M]
Leg, 6, S/S, Removable Foot	3234645	X	X	X	X	
Panel, louver, 18"	356-478-0034-S	X				
Panel, louver, 24"	356-478-0046-S		X	X	X	
Switch, SPST, 15 Amp, 120V	2190154	X	X	X	X	
Switch, SPST, 20 Amp, Brown	2194241		X	X	X	
Thermometer, Hanging, 4"	3516135	X	X	X	X	

**NOTE:** [D] R404A Condensing Unit Assemblies start on page 14.

**NOTE:** [K] Freezer Evaporator Assemblies on page 20.

**NOTE:** [M] Drawer Assemblies on page 21.

**NOTE:** [O] Cutting Board Brackets on page 22.

## F17FR-V Components Per Model

Description	Part Number	F17FR48V	F17FR58V	F17FR66V	F17FR76V	Note
Bracket, cutting board, left hand	000-405-0031-S	X	X	X	X	[O]
Bracket, cutting board, right hand	000-405-0035-S	X	X	X	X	[O]
Cable, Display, Danfoss	2194791	X	X	X	X	
Coil Assembly, Freezer Evaporator, Remote	000-249-0006-S	X	X	X	X	[K]
Control Assembly, Refg, MK 7	000-CZ0-0061kt-s	X	X	X	X	
Drawer Assembly, 19" freezer, lo-profile	000-AEW-006J-S		X			[M]
Drawer Assembly, 27" freezer, lo-profile	000-AEW-006H-S		X	X		[M]
Drawer Assembly, 32" freezer, lo-profile, 1 Hi, 201	000-AEW-0088-S	X			X	[M]
Leg, 6, S/S, Removable Foot	3234645	X	X	X	X	

**NOTE:** [K] Freezer Evaporator Assemblies on page 20.

**NOTE:** [M] Drawer Assemblies on page 21.

**NOTE:** [O] Cutting Board Brackets on page 22.

## Obsolete F17FR Components Per Model

Replacement parts only. Units are no longer in production as of 3-30-17.

Description	Part Number	F17FR48	F17FR58	F17FR66	F17FR76	Note
Bracket, cutting board, left hand	000-405-0031-S	X	X	X	X	[O]
Bracket, cutting board, right hand	000-405-0035-S	X	X	X	X	[O]
Cable, Display, Danfoss	2194791	X	X	X	X	
Coil Assembly, Freezer Evaporator, Remote	000-249-0006-S	X	X	X	X	[K]
Condensate Evaporator Pan Assembly	000-AMR-0030-S	X	X	X	X	[N]
Control, Temperature	3516056	X	X	X	X	
Display, Danfoss	2194792	X	X	X	X	
Drawer Assembly, 19" freezer, lo-profile	000-AEW-006J-S		X			[M]
Drawer Assembly, 27" freezer, lo-profile	000-AEW-006H-S		X	X		[M]
Drawer Assembly, 32" freezer, lo-profile	000-AEW-006G-S	X			X	[M]
Leg, 6, S/S, Removable Foot	3234645	X	X	X	X	
Timer, Paragon, #8145-00	2194151	X	X	X	X	

**NOTE:** [K] Freezer Evaporator Assemblies on page 20.

**NOTE:** [M] Drawer Assemblies on page 21.

**NOTE:** [N] Condensate Evaporator Pan Assembly on page 22.

**NOTE:** [O] Cutting Board Brackets on page 22.

## F17OS Common Components

Description	Part Number	Note
Bracket, cutting board, left hand	000-405-0031-S	[O]
Bracket, cutting board, right hand	000-405-0035-S	[O]
Leg, 6, S/S, Removable Foot	3234645	

**NOTE:** [O] Cutting Board Brackets on page 22.

## F17R-V Components Per Model

Description	Part Number	F17R44V	F17R52V	F17R60V	F17R70V	F17R79V	F17R87V	F17R102V	Note
Bracket, cutting board, left hand	000-405-0031-S	X	X	X	X	X	X	X	[O]
Bracket, cutting board, right hand	000-405-0035-S	X	X	X	X	X	X	X	[O]
Cable, Display, Danfoss	2194791	X	X	X	X	X	X	X	
Clip, Coil Air Baffle, Left	243-209-0031-S	X	X	X	X	X	X	X	
Clip, Coil Air Baffle, Right	243-209-0032-S		X	X	X	X	X	X	
Coil Assembly, R404A, Ref, Fan Lt, EC Fans	000-248-003L-S	X							[H]
Coil Assembly, R404A, Ref, EC Fans	000-248-003i-S		X	X	X	X	X	X	[H]
Coil Assembly, R404A, Ref, No Probes, EC Fans, Built Before 12-1-17	000-248-003K-S						X	X	[H]
Coil Assembly, R404A, Ref, Defrost Probe, EC Fans, Built After 12-1-17	000-248-004C-S						X	X	[H]
Control Assembly, Refg, MK7, For 87" & 102" Built Before 12-1-17	000-CZ0-0061kt-s	X	X	X	X	X	X	X	
Control Assembly, Refg, MK7, Dual Defrost, Built After 12-1-17	000-CZ0-0086KT-S						X	X	
Drawer Assembly, 19" lo profile	000-AEW-0066-S		X			X			[M]
Drawer Assembly, 27" lo profile	000-AEW-0064-S		X	X		X	X		[M]
Drawer Assembly, 32" lo profile	000-AEW-0063-S	X			X			X	[M]
Leg, 6, S/S, Removable Foot	3234645	X	X	X	X	X	X	X	

**NOTE:** [H] Refrigerator Evaporator Assemblies start on page 17.

**NOTE:** [M] Drawer Assemblies on page 21.

**NOTE:** [O] Cutting Board Brackets on page 22.

## Obsolete F17R Components Per Model

Replacement parts only. Units are no longer in production as of 3-30-17.

Description	Part Number	F17R44	F17R52	F17R60	F17R70	F17R79	F17R87	F17R102	Note
Bracket, cutting board, left hand	000-405-0031-S	X	X	X	X	X	X	X	[O]
Bracket, cutting board, right hand	000-405-0035-S	X	X	X	X	X	X	X	[O]
Cable, Display, Danfoss	2194791	X	X	X	X	X	X	X	
Clip, Coil Air Baffle, Left	243-209-0031-S	X	X	X	X	X	X	X	
Clip, Coil Air Baffle, Right	243-209-0032-S		X	X	X	X	X	X	
Coil Assembly, R404A, Ref, Fan Lt	000-248-0037-S	X							[H]
Coil Assembly, R404A, Ref	000-248-0030-S		X	X	X	X	X	X	[H]
Condensate Evaporator Pan Assembly	000-AMR-0030-S	X	X	X	X	X	X	X	[N]
Display, Danfoss	2194792	X	X	X	X	X	X	X	
Drawer Assembly, 19" lo profile	000-AEW-0066-S		X			X			[M]
Drawer Assembly, 27" lo profile	000-AEW-0064-S		X	X		X	X		[M]
Drawer Assembly, 32" lo profile	000-AEW-0063-S	X			X			X	[M]
Leg, 6, S/S, Removable Foot	3234645	X	X	X	X	X	X	X	
Thermostat Assembly, Danfoss	000-282-006T-S	X	X	X	X	X	X	X	

**NOTE:** [H] Refrigerator Evaporator Assemblies start on page 17.

**NOTE:** [M] Drawer Assemblies on page 21.

**NOTE:** [N] Condensate Evaporator Pan Assembly on page 22.

**NOTE:** [O] Cutting Board Brackets on page 22.

## F2600P R290 Replacement Parts Per Model

Description	Part Number	F2660CP	F2660P	F2694CP,	Note
				F2694P	
Cable, Display, Danfoss	2194791	X	X		
Caster, 3", Plate, Swivel, Brake	3234186	X	X		
Caster, 5", Plate, Swivel	3234198	X	X		
Caster, 5", Plate, Swivel, Brake	3234199	X	X		
Coil Assembly, Freezer Evaporator, R290	000-249-0031-S	X	X		[K]
Condenser Assembly, Dual 1/3 HP, R290, Low, Split System	000-BN5-007Z-S	X	X		[A]
Control Assembly, Freezer, RI	000-CZ0-0053kt-s	X	X		
Drawer Assembly, Sys, Freezer, 32 LoPro, 1Hi, 430	000-AEW-0084-S	X	X		[M]
Leg, 6, S/S, Removable Foot	3234645	X	X		
Panel, LVR Lo-Profile	359-478-004J-S	X			[P]
Panel, LVR Lo-Profile	359-478-004K-S			X	[P]
Switch, Rocker, Snap-In, On/On	2194959	X	X		

**NOTE:** [A] R290 Condensing Unit Assemblies start on page 11.

**NOTE:** [K] Freezer Evaporator Assemblies on page 20.

**NOTE:** [M] Drawer Assemblies on page 21.

**NOTE:** [P] Louvered Panels on page 22.

## Obsolete F2600 R404A Replacement Parts Per Model

R404A models replacement parts only. Units are no longer in production as of 3-30-17.

Description	Part Number	F2660	F2694	Note
Cable, Display, Danfoss	2194791	X	X	
Coil Assembly, Freezer Evaporator, R404A	000-249-0004-S	X	X	[K]
Condenser Assembly, 1/2 HP, Low, HG	000-BN5-0054-S	X		[D]
Condenser Assembly, 3/4 HP, Low, HG	000-BN5-0055-S		X	[D]
Control, Freezer, 115V	RF000085	X	X	
Control, Pressure, High	3516247		X	
Display, Danfoss	2194792	X	X	
Drawer Assembly, Sys, Freezer	000-AEW-007K-S	X	X	[M]
Leg, 6, S/S, Removable Foot	3234645	X	X	
Panel, LVR Lo-Profile	359-478-004J-S	X		[P]
Panel, LVR Lo-Profile	359-478-004K-S		X	[P]
Switch, SPST, 15 Amp	2190154	X	X	
Switch, SPST, 20 Amp, Brown	2194241		X	
Thermometer, Hanging, 4"	3516135	X	X	

**NOTE:** [D] R404A Condensing Unit Assemblies start on page 14.

**NOTE:** [K] Freezer Evaporator Assemblies on page 20.

**NOTE:** [M] Drawer Assemblies on page 21.

**NOTE:** [P] Louvered Panels on page 22.

## F2700V Replacement Parts Per Model

Description	Part Number	F2748	F2776	Note
Cable, Display, Danfoss	2194791	X	X	
Coil, Solenoid, 120V/50Amp	3516053	X	X	
Coil Assembly, Freezer Evaporator, Remote	000-249-0006-S	X	X	[K]
Control Assembly, Freezer, RI	000-CZ0-0053-S	X	X	
Drawer Assembly, Sys, Freezer, 32 LoPro, 1Hi, 430	000-AEW-0084-S	X	X	[M]
Leg, 6, S/S, Removable Foot	3234645	X	X	
Valve, Solenoid, 1/4ODF	3516102	X	X	

**NOTE:** [K] Freezer Evaporator Assemblies on page 20.

**NOTE:** [M] Drawer Assemblies on page 21.

## Obsolete F2700 Replacement Parts Per Model

Replacement parts only. Units are no longer in production as of 3-30-17.

Description	Part Number	F2748	F2776	Note
Cable, Display, Danfoss	2194791	X	X	
Coil, Solenoid, 120V/50Amp	3516053	X	X	
Coil Assembly, Freezer Evaporator, Remote	000-249-0006-S	X	X	[K]
Condensate Evaporator Pan Assembly	000-AMR-0030-S	X	X	[N]
Control, Temperature	3516056	X	X	
Display, Danfoss	2194792	X	X	
Drawer Assembly, Sys, Freezer	000-AEW-007K-S	X	X	[M]
Leg, 6, S/S, Removable Foot	3234645	X	X	
Thermometer, Hanging	3516135	X	X	
Timer, Paragon, #8145-00	2194151	X	X	
Valve, Solenoid, 1/4ODF	3516102	X	X	

**NOTE:** [K] Freezer Evaporator Assemblies on page 20.

**NOTE:** [M] Drawer Assemblies on page 21.

**NOTE:** [N] Condensate Evaporator Pan Assembly on page 22.

## F2800V Components Per Model

Description	Part Number	F2852V	F2856V	F2862V	F2875V	F2880V	F2887V	F2899V	F28110V	Note
Cable, Display, Danfoss	2194791	X	X	X	X	X	X	X	X	
Clip, Coil Air Baffle, Left	243-209-0031-S	X	X	X	X	X	X	X	X	
Clip, Coil Air Baffle, Right	243-209-0032-S	X		X	X	X	X	X	X	
Coil Assembly, R404A, Ref, EC Fans	000-248-003i-S	X		X	X	X	X	X	X	[H]
Coil Assembly, R404A, Ref, No probe, EC Fans, Built Before 12-1-17	000-248-003K-S						X	X	X	[H]
Coil Assembly, R404A, Ref, Defrost Probe, EC Fans, Built After 12-1-17	000-248-004C-S						X	X	X	[H]
Coil Assembly, R404A, Ref, Fan Lt, EC Fans	000-248-003L-S		X							[H]
Control Assembly, Refg, MK7, For 87", 99" & 110" Built Before 12-1-17	000-CZ0-0061kt-s	X	X	X	X	X	X	X	X	
Control Assembly, Refg, MK7, Dual Defrost, Built After 12-1-17	000-CZ0-0086KT-S						X	X	X	
Drawer system, 19", lo-profile	000-AEW-007F-S	X		X			X			[M]
Drawer system, 27", lo-profile	000-AEW-007D-S	X		X	X		X	X		[M]
Drawer system, 32", lo-profile	000-AEW-007C-S		X		X	X			X	[M]
Leg, 6, S/S, Removable Foot	3234645	X	X	X	X	X	X	X	X	

**NOTE:** [H] Refrigerator Evaporator Assemblies start on page 17.

**NOTE:** [M] Drawer Assemblies on page 21.

## Obsolete F2800 Components Per Model

Replacement parts only. Units are no longer in production as of 3-30-17.

Description	Part Number	F2852	F2856	F2862	F2875	F2880	F2887	F2899	F28110	Note
Cable, Display, Danfoss	2194791	X	X	X	X	X	X	X	X	
Clip, Coil Air Baffle, Left	243-209-0031-S	X	X	X	X	X	X	X	X	
Clip, Coil Air Baffle, Right	243-209-0032-S	X	X	X	X	X	X	X	X	
Coil Assembly, R404A, Ref	000-248-0030-S	X		X	X	X	X	X	X	[H]
Coil Assembly, R404A, Ref, Fan Lt	000-248-0037-S		X							[H]
Condensate Evaporator Pan Assembly	000-AMR-0030-S	X	X	X	X	X	X	X	X	[N]
Display, Danfoss	2194792	X	X	X	X	X	X	X	X	
Drawer system, 19", lo-profile	000-AEW-007F-S	X		X			X	X		[M]
Drawer system, 27", lo-profile	000-AEW-007D-S	X		X	X		X			[M]
Drawer system, 32", lo-profile	000-AEW-007C-S		X		X	X			X	[M]
Leg, 6, S/S, Removable Foot	3234645	X	X	X	X	X	X	X	X	
Thermometer, Hanging, 4"	3516135	X	X	X	X	X	X	X	X	
Thermostat Assembly, Danfoss	000-282-006T-S	X	X	X	X	X	X	X	X	

**NOTE:** [H] Refrigerator Evaporator Assemblies start on page 17.

**NOTE:** [M] Drawer Assemblies on page 21.

**NOTE:** [N] Condensate Evaporator Pan Assembly on page 22.



## F2900P R290 Components Per Model

Description	Part Number	Model													Note	
		F2936CP, F2936P	F2952CP, F2952P	F2956CP, F2956P	F2960CP, F2960P	F2962CP, F2962P	F2973CP, F2973P	F2975CP, F2975P	F2978CP, F2978P	F2980CP, F2980P	F2987CP, F2987P	F2996CP, F2996P	F2999CP, F2999P	F29110CP, F29110P		
Cable, Display, Danfoss	2194791	X	X	X	X	X	X	X	X	X	X	X	X	X	X	
Caster, 3", Plate, Swivel, Brake	3234186	X	X	X	X	X	X	X	X	X	X	X	X	X	X	
Caster, 5", Plate, Swivel	3234198	X	X	X	X	X	X	X	X	X	X	X	X	X	X	
Caster, 5", Plate, Swivel, Brake	3234199	X	X	X	X	X	X	X	X	X	X	X	X	X	X	
Clip, Coil Air Baffle, Left	243-209-0031-S		X	X	X	X	X	X	X	X	X	X	X	X	X	
Clip, Coil Air Baffle, Right	243-209-0032-S				X	X	X	X	X	X	X	X	X	X	X	
Coil Assembly, Ceiling Mount, 120V	000-248-0052-S	X														[H]
Coil Assembly, R290, Ref, EC Fan	000-248-003U-S				X	X	X	X	X	X	X	X	X	X	X	[H]
Coil Assembly, R290, Fan Lt, EC Fan	000-248-0040-S		X	X												[H]
Coil Assembly, R290, No Probes, EC Fan, Built before 12-1-17	000-248-003Y-S										X	X	X	X	X	[H]
Coil Assembly, R290, Defrost Probe, EC Fan, Built after 12-1-17	000-248-004B-S										X	X	X	X	X	[H]
Condensing Unit Assembly, 1/6 HP, R290	000-BN5-007T-S	X														[A]
Condensing Unit Assembly, 1/5 HP, R290	000-BN5-007U-S		X	X	X	X										[A]
Condensing Unit Assembly, 1/4 HP, R290	000-BN5-007V-S						X	X	X	X	X	X	X	X	X	[A]
Condensing Unit Assembly, 1/3 HP R290	000-BN5-007X-S														X	[A]
Control Assembly, Refg, MK7, For 87", 96", 99" & 110" Built Before 12-1-17	000-CZ0-0061kt-s	X	X	X	X	X	X	X	X	X	X	X	X	X	X	
Control Assembly, Refg, Mk7, Dual Defrost, Built After 12-1-17	000-CZ0-0086KT-S										X	X	X	X	X	
Drawer System, 19", lo-profile	000-AEW-007F-S				X	X					X					[M]
Drawer system, 27", lo-profile	000-AEW-007D-S				X	X	X	X			X	X	X			[M]
Drawer system, 27", lo-profile, Shallow/ Full	000-AEW-0082-S	X														[M]
Drawer system, 32", lo-profile	000-AEW-007C-S		X	X			X	X	X	X					X	[M]
End, Right, Lo Pr, Comp, Louver	359-CQL-003B-S	X														
End, Right, Lo Pro	359-CQL-0030-S		X	X	X	X	X	X	X	X	X	X	X	X	X	
Leg, 6, S/S, Removable Foot	3234645	X	X	X	X	X	X	X	X	X	X	X	X	X	X	
Louver Panel, 9"	359-478-004M-S	X														[P]
Louver Panel, 14"	359-478-004H-S		X		X		X		X		X	X		X	X	[P]
Louver Panel, 16"	359-478-004L-S					X		X		X						[P]
Louver Panel, 18"	359-478-004J-S			X										X		[P]
Switch, Appliance	2198717	X	X	X	X	X	X	X	X	X	X			X	X	

**NOTE:** [A] R290 Condensing Unit Assemblies start on page 11.

**NOTE:** [H] Refrigerator Evaporator Assemblies start on page 17.

**NOTE:** [M] Drawer Assemblies on page 21.

**NOTE:** [P] Louvered Panels on page 22.

## Obsolete F2900 R404A Components Per Model

R404A models replacement parts only. Units are no longer in production as of 3-30-17.

Description	Part Number	F2936C	F2952C	F2956C	F2962C	F2975C	F2980C	F2987C	F2999C	F29110C	Note
Cable, Display, Danfoss	2194791	X	X	X	X	X	X	X	X	X	
Caster, 5, Plate, Swivel	3234198	X	X	X	X	X	X	X	X	X	
Caster, 5, Plate, Swivel, Brake	3234199	X	X	X	X	X	X	X	X	X	
Clip, Coil Air Baffle, Left	243-209-0031-S		X	X	X	X	X	X	X	X	
Clip, Coil Air Baffle, Right	243-209-0032-S				X	X	X	X	X	X	
Coil Assembly, Ceiling Mount, 120V, Axial Fan	000-248-002A-S	X									[H]
Coil Assembly, R404A, Ref	000-248-0030-S				X	X	X	X	X	X	[H]
Coil Assembly, R404A, Ref, Fan Lt	000-248-0037-S		X	X							[H]
Coil Assembly, R404A, Ref, No Probes	000-248-0036-S							X	X	X	[H]
Condensing Unit Assembly, 1/5 HP	000-BN5-0031-S		X	X	X						[D]
Condensing Unit Assembly, 1/5 HP, 9"	000-BN5-0067-S	X									[D]
Condensing Unit Assembly, 1/4 HP	000-BN5-0030-S					X	X	X	X		[D]
Condensing Unit Assembly, 1/3 HP	000-BN5-0037-S									X	[D]
Control Kit, Danfoss, GDM, 115V	RF000084	X	X	X	X	X	X	X	X	X	
Control Knob, Danfoss	2194761	X	X	X	X	X	X	X	X	X	
Cover, Access, Lift Off	409-144-0033-S	X									
Display, Danfoss	2194792	X	X	X	X	X	X	X	X	X	
Drawer System, 19", lo-profile	000-AEW-007F-S				X			X			[M]
Drawer system, 27", lo-profile	000-AEW-007D-S				X			X	X		[M]
Drawer system, 27", lo-profile, Shallow/Full	000-AEW-0082-S	X									[M]
Drawer system, 32", lo-profile	000-AEW-007C-S		X	X		X	X			X	[M]
End, Right, Lo Pr, Comp, Louver	359-CQL-0039-S	X									
Louver Panel, 9"	359-478-004M-S	X									[P]
Louver Panel, 14"	359-478-004H-S		X					X		X	[P]
Louver Panel, 16"	359-478-004L-S				X	X	X				[P]
Louver Panel, 18"	359-478-004J-S			X	X				X		[P]
Switch, rocker, 20A/125V	2190154	X	X	X	X	X	X	X	X	X	
Thermometer, Hanging	3516135		X	X	X	X	X	X	X	X	

**NOTE:** [D] R404A Condensing Unit Assemblies start on page 14.

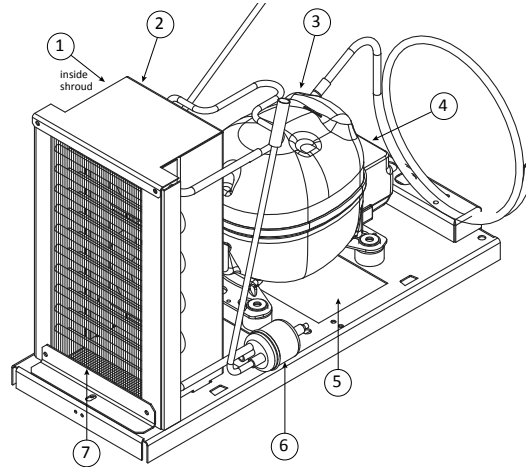
**NOTE:** [H] Refrigerator Evaporator Assemblies start on page 17.

**NOTE:** [M] Drawer Assemblies on page 21.

**NOTE:** [P] Louvered Panels on page 22.

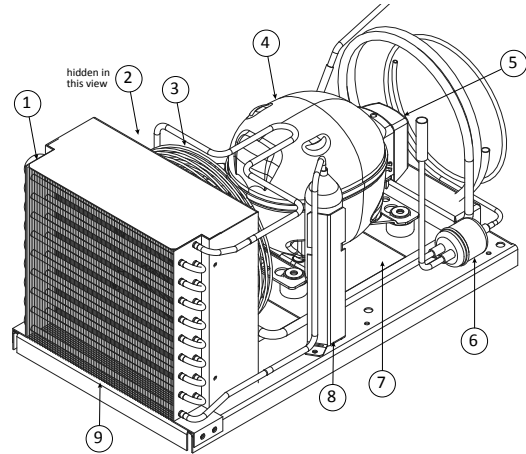
# R290 Condensing Unit Assemblies

## 1/6HP R290 Condensing Unit Assembly



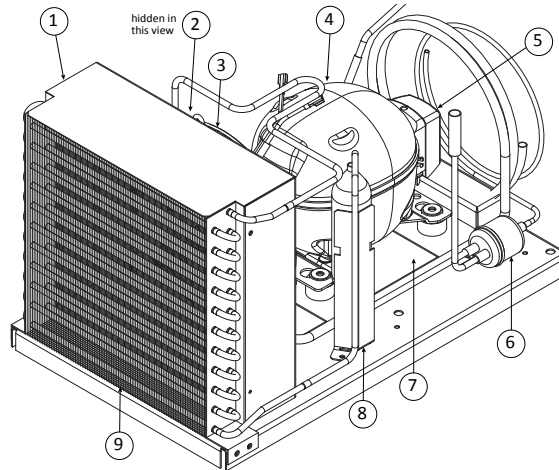
Key	Description	Part Number
-	1/6HP Condensing Unit Assembly, R290	000-BN5-007T-S
1	Fan, Axial, 120V/60Hz	2160023
	Guard, Fan, 4.7"	2160024
2	Shroud, Condenser Coil	026-C20-0034-S
3	Compressor, 1/6HP, EMI50UER, R290	3527165
4	Start Capacitor	3520008
	Compressor, Relay	3520006
	Overload	3520007
5	Condensate Pan	039-231-0036-S
6	Filter Dryer	3516352
7	Condenser Coil	3516259

## 1/5HP R290 Condensing Unit Assembly



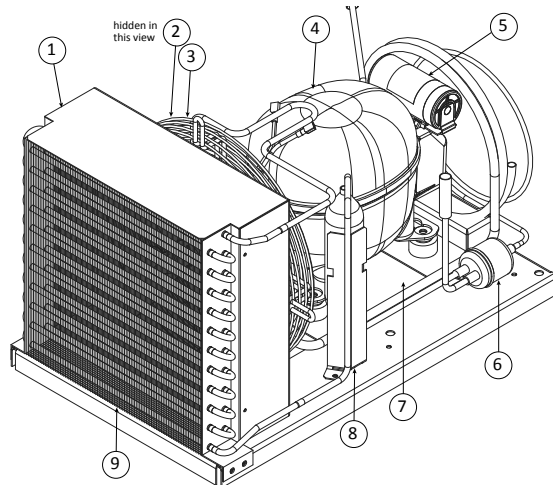
Key	Description	Part Number
-	1/5 Condensing Unit Assembly, R290	000-BN5-007U-S
1	Shroud, Condenser Coil	026-C58-003B-S
2	Motor, Fan, 9W, 115V, Unit Bearing	2162717
	Blade, Fan, 7.25" Dia, 37Deg, CW	3516480
3	Guard, Fan, 7.25"	2160020
4	Compressor, R290, Danfoss, DLE4.0CN	3527162
5	Start Capacitor	3520010
	Compressor, Relay	3520009
6	Filter Dryer, (2) Inlet	3516478
7	Condensate Pan	039-231-0030-S
8	Receiver Tank, R290	3510004
9	Condenser Coil, 1/5HP, R290	3510002

## 1/4HP R290 Condensing Unit Assembly



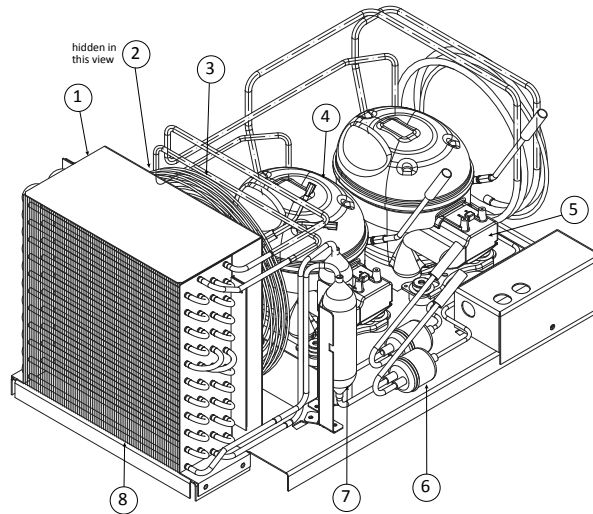
Key	Description	Part Number
-	Condensing Unit Assembly, 1/4HP, R290	000-BN5-007V-S
1	Shroud	026-C58-003C-S
2	Blade, Fan, 7.25" Dia, 37 Deg, CW	3516480
	Motor, Fan, 9W, 115V, Unit Bearing	2162717
3	Guard, Fan, 7.25"	2160020
4	Compressor, R290, Danfoss, DLE5.7CN	3527163
5	Capacitor, Start, 320MFD	3520010
	Compressor, Relay, Overload, NF7CLX	3520011
6	Drier, Filter, (2)Inlet	3516478
7	Pan, Condensate, SM	039-231-0030-S
8	Receiver Tank, R290	3510004
9	Coil, Condenser, R290	3510003

## 1/3HP R290 Condensing Unit Assembly



Key	Description	Part Number
-	Condensing Unit Assembly, 1/3HP, R290	000-BN5-007X-S
1	Shroud	026-C58-003D-S
2	Blade, Fan, 25 Deg, 10", CW, Upright	3516433
	Motor, Fan, 16W, 115V, Unit Bearing	2162716
3	Guard, Fan, Condenser, Upright	2160019
4	Compressor, 1/3HP, NEU618U, R290	3527164
5	Capacitor, Start	3520005
	Overload	3520004
	Compressor, Relay	3520003
6	Drier, Filter, (2)Inlet	3516478
7	Pan, Condensate, SM	039-231-0030-S
8	Receiver Tank, R290	3510004
9	Coil, Condenser, R290	3510003

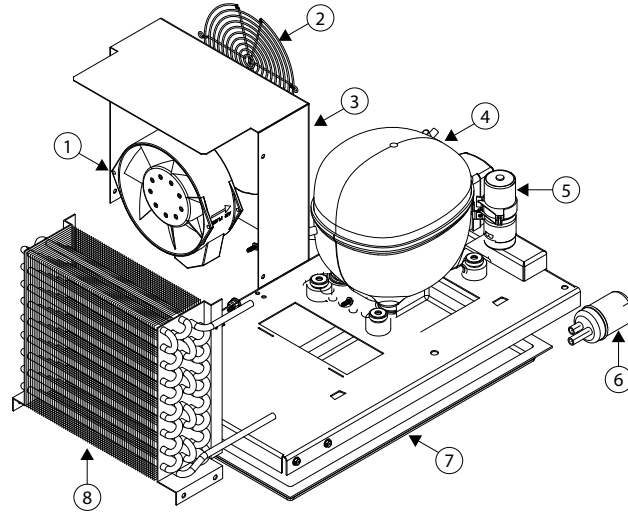
## Dual 1/3HP R290 Condensing Unit Assembly



Key	Description	Part Number
-	Condensing Unit Assembly, Dual, 1/3HP, R290, Lo, Split System	000-BN5-007Z-S
1	Shroud	026-C58-003A-S
2	Blade, Fan, 25 Deg, 10", CW, Upright	3516433
	Motor, Fan, 16W, ECM, No Plugs	2160003
3	Guard, Fan, Condenser, Upright	2160019
4	Compressor, R290, Tecumseh, TCX415U-DS1B	3527193
5	Start Relay	3520013
	Start Capacitor	3520014
	Overload	3520015
6	Drier, Filter, (2)Inlet	3516478
7	Receiver Tank	3510004
8	Coil, Condenser, R290, Dual Circuit	3510007
-	Pan, Condensate, Large	039-231-0031-S

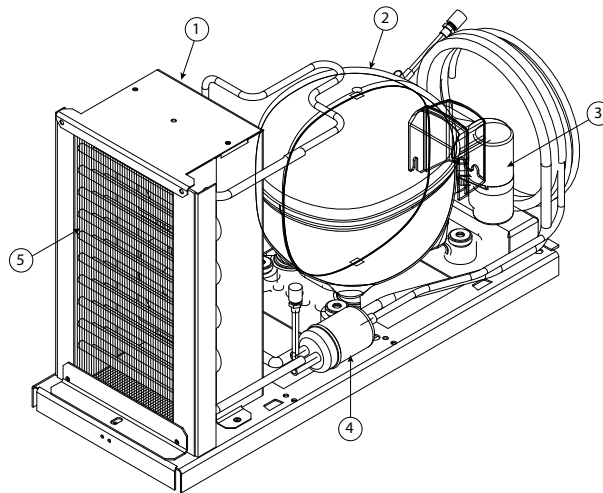
# R404A Condensing Unit Assemblies

## 1/5HP R404A Condensing Unit Assembly



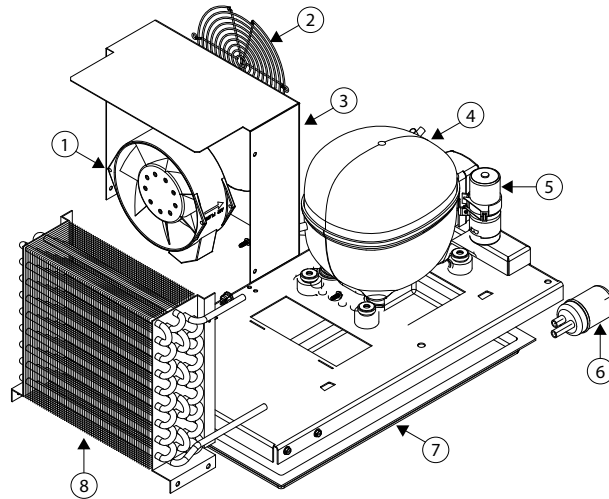
Key	Description	Part Number
-	1/5 Condensing Unit Assembly	000-BN5-0031-S
1	Fan, Axial, 5.5", 120V	2160028
2	Guard, Fan, 6.0"	2160030
3	Shroud, Condenser Coil	026-C58-0037-S
4	Compressor, TF4CLS	3526997
5	Start Capacitor	2194787
	Compressor, Relay	3516446
6	Filter Dryer	3516322
7	Condensate Pan	075-231-0030-S
8	Condenser Coil	3516454

## 9" 1/5HP R404A Condensing Unit Assembly



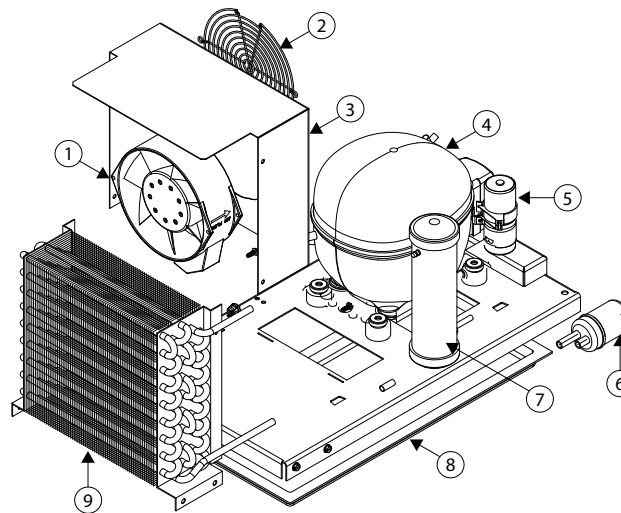
Key	Description	Part Number
-	1/5 Condensing Unit Assembly, 9"	000-BN5-0067-S
1	Fan, Axial, 120V	2160023
1	Guard, Fan, 4.7"	2160024
2	Compressor, 1/5HP, 115/60, R404A	3526997
3	Capacitor, Start, 280MFD	2194787
3	Compressor, Relay	3516446
4	Drier, Filter, (2)Inlet	3516322
5	Coil, Condenser	3516259
-	Pan, Condensate, SM	039-231-0036-S

## 1/4HP R404A Condensing Unit Assembly



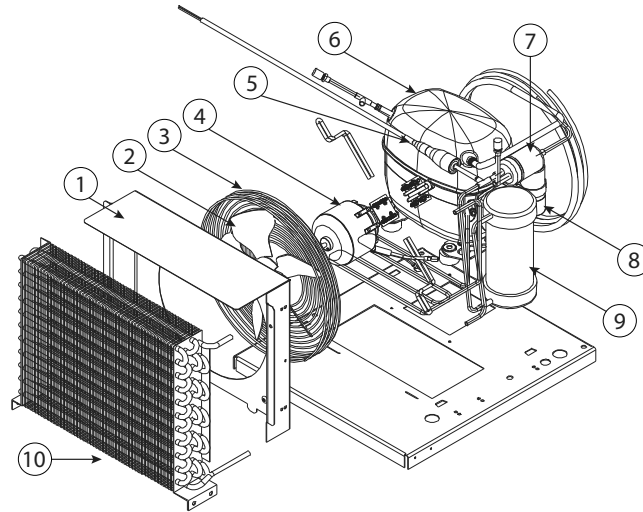
Key	Description	Part Number
-	1/4 HP Condensing Unit Assembly	000-BN5-0030-S
1	Fan, Axial, 5.5", 120V	2160028
2	Guard, Fan, 6.0"	2160030
3	Shroud, Condenser Coil	026-C58-0037-S
4	Compressor, NF5.5CLX, 115V, 60HZ	3526999
5	Capacitor, Start, 280MFD	2194787
	Compressor, Relay, Overload, NF5.5CLX	3516444
6	Drier, Filter, (2)Inlet	3516322
7	Pan, Condensate, SM	039-231-0030-S
8	Coil, Condenser, 1/5, 1/4,1/3HP	3516454

## 1/3HP R404A Condensing Unit Assembly



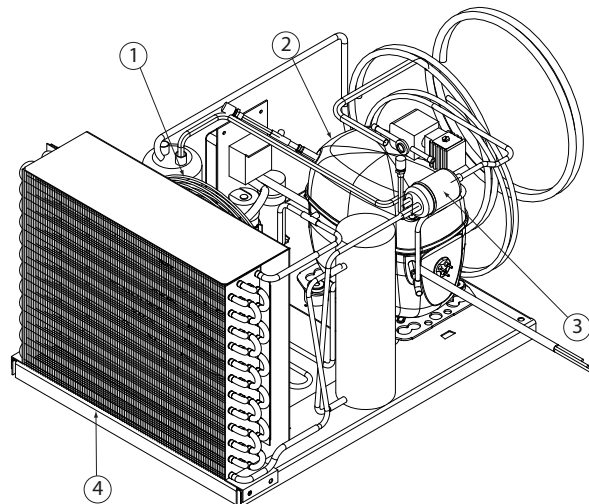
Key	Description	Part Number
-	1/3 Condensing Unit Assembly	000-BN5-0037-S
1	Fan, Axial, 5.5", 120V	2160028
2	Guard, Fan, 6.0"	2160030
3	Shroud, Condenser Coil	026-C58-0037-S
4	Compressor, NF7CLS	3527000
5	Start Capacitor	2194788
	Relay, overload, compressor	3516438
6	Filter Drier	3516322
7	Receiver tank, Installation note: Re-piping may be required	3516658
8	Pan, Condensate	075-231-0030-S
9	Condenser Coil	3516454

## 1/2HP Lo Temp, Hot Gas R404A Condensing Unit Assembly



Key	Description	Part Number
-	1/2HP Condenser Assembly, Low, Hot gas	000-BN5-0054-S
1	Shroud, 1/2 HP Condenser Coil	026-C58-0031-S
2	Blade, Fan, 9.00"	3516554
3	Guard, Fan, Wire	2160019
4	Motor, Fan, 16W, 115V, CW	2162716
5	Cutout, High Pressure	3516324
6	Compressor, SC12CLX.2,115/60HZ	3527001
7	Drier, Filter, (2)Inlet	3516322
8	Capacitor, Start, 240MFD	2194789
8	Relay, Comp, SC12CLX.2	3516441
9	Receiver Tank	3516659
10	Coil, Condenser, 1/2 HP	3516455
-	Pan, Comp, 18.00	024-034-0031-S

## 3/4HP LoTemp, Hot Gas R404A Condensing Unit Assembly

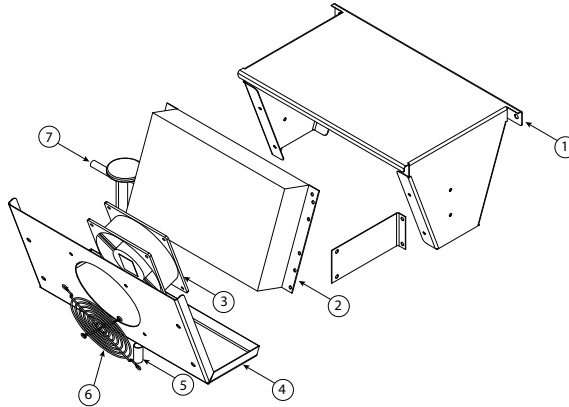


Key	Description	Part Number
-	3/4 HP Condenser Assembly, Low, Hot gas	000-BN5-0055-S
1	Guard, fan condenser	2160019
	Motor, condenser fan 16W, 155V	2162716
	Blade, fan 10" CW	3516433
2	Compressor, SC18CLS.2, 115V60hz	3527002
	Capacitor, start, run assembly	3516442
3	Filter drier	3516322
4	Coil, condenser, 3/4hp	3516456



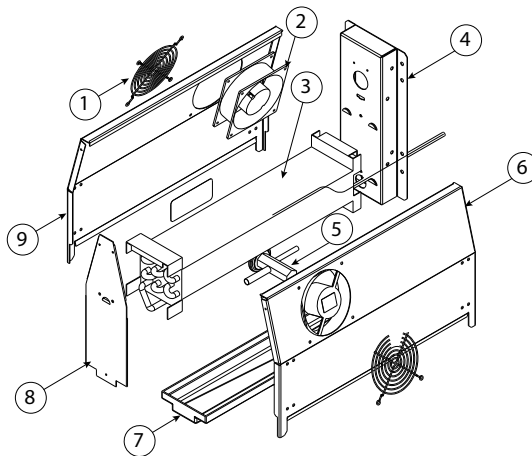
# Refrigerator Evaporator Assemblies

## Ceiling Mount Evaporator Assembly



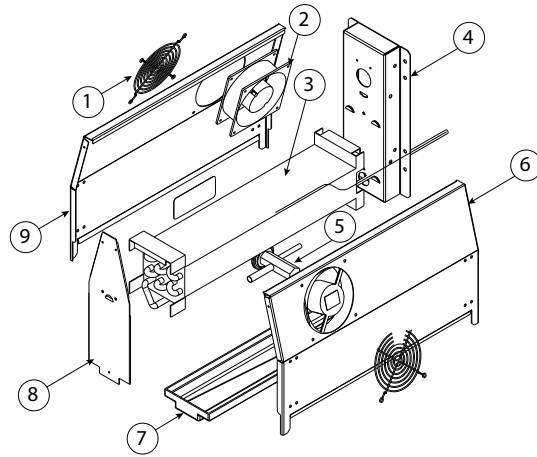
Key	Description	R404A Part Number Built Before 3-30-17	R290 Part Number Built After 3-30-17
-	Coil Assembly, Ceiling Mount, 120V, Axial Fan	000-248-002A-S	000-248-0052-S
1	Body, coil, ceiling mount	223-232-0034-S	223-232-0035-S
2	Coil, evaporator	3510084	3510084
3	Fan, Axial, 120V	2160023	2160023
4	Front, coil, ceiling mount, axial fan	223-234-0033-S	223-234-0034-S
5	Drain, SS, 1/2" long	035-227-000F-S	035-227-000F-S
6	Guard, fan, 4.7"	2160024	2160024
7	Expansion valve, 1/8, Low, R-404a	3516394	NA
-	Harness, coil	2183854	2183854
-	Probe, Defrost, Danfoss, Control	2194808	2194808
-	Probe, Temp, Sensor, Danfoss	2194809	2194809

## R404A Refrigerator Evaporator Assembly



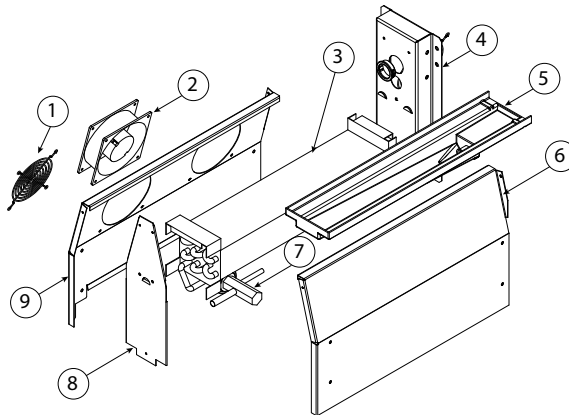
Key	Description	R404A Part Number Built Before 3-30-17	R404A Part Number, Built After 12-1-17
-	Coil Assembly, Ref	000-248-0030-S	000-248-004C-S
1	Guard, fan, 4.7"	2160024	2160024
2	Fan, Axial,	2160023	2160045
3	Coil, evaporator	3516095	3516095
4	Back, evaporator, enclosure	030-232-0003-S	030-232-0003-S
5	Expansion valve, 1/4, R-404a	3516273	3516273
6	Side, coil, angled, right	030-233-0001-S	030-233-0001-S
7	Drip pan, evaporator	000-BNH-0030-S	000-BNH-0030-S
8	Front, coil	030-234-0003-S	030-234-0003-S
9	Side, coil, angled, Left	030-233-0002-S	030-233-0002-S
-	Harness, coil	2184317	2184317
-	Probe, Defrost, Danfoss, Control	2194808	2194833
-	Probe, Temp, Sensor, Danfoss	2194809	-

## R290 Refrigerator Evaporator Assembly



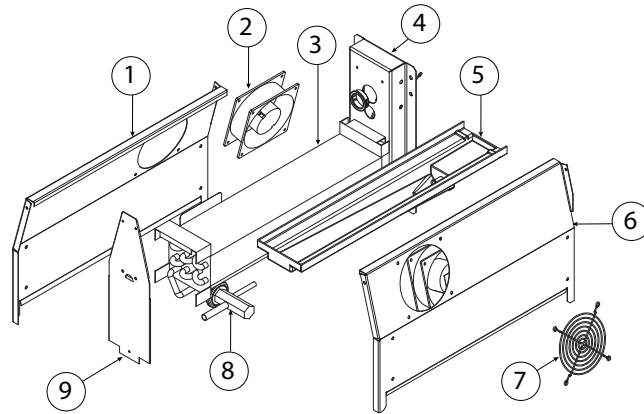
Key	Description	R290 Part Number Built After 3-30-17	R290 Part Number Built After 3-30-17	R290 Part Number Built After 12-1-17
-	Coil Assembly, Ref	000-248-003i-S	000-248-003U-S	000-248-004B-S
1	Guard, fan, 4.7"	2160024	2160024	2160024
2	Fan, Axial,	2160045	2160045	2160045
3	Coil, evaporator	3516095	3510005	3510005
4	Back, evaporator, enclosure	030-232-0003-S	030-232-0003-S	030-232-0003-S
5	Expansion valve, 1/4, R-404a	3516273	3517414	3517414
6	Side, coil, angled, right	030-233-0001-S	030-233-0001-S	030-233-0001-S
7	Drip pan, evaporator	000-BNH-0030-S	000-BNH-0030-S	000-BNH-0030-S
8	Front, coil	030-234-0003-S	030-234-0003-S	030-234-0003-S
9	Side, coil, angled, Left	030-233-0002-S	030-233-0002-S	030-233-0002-S
-	Harness, coil	2184317	2184317	2184317
-	Probe, Defrost, Danfoss, Control	2194808	2194808	2194833
-	Probe, Temp, Sensor, Danfoss	2194809	2194809	-

## Fans Left Refrigerator Evaporator Assembly



Key	Description	R404A Part Number Built Before 3-30-17	R404A EC Part Number Built After 3-30-17	R290 Part Number Built After 3-30-17
-	Coil Assembly, Ref, Fan Lt	000-248-0037-S	000-248-003L-S	000-248-0040-S
1	Guard, fan, 4.7"	2160024	2160024	2160024
2	Fan, Axial	2160023	2160045	2160045
3	Coil, evaporator	3516095	3516095	3510005
4	Back, evaporator, enclosure	030-232-0003-S	030-232-0003-S	030-232-0003-S
5	Drip pan, evaporator	000-BNH-0030-S	000-BNH-0030-S	000-BNH-0030-S
6	Side, coil, angled, Rt, Blank	030-233-0038-S	030-233-0038-S	030-233-0038-S
7	Expansion valve, 1/4	3516273	3516273	3517414
8	Front, coil	030-234-0003-S	030-234-0003-S	030-234-0003-S
9	Side, Coil, Angled, Lt, 2Fan	030-233-0039-S	030-233-0039-S	030-233-0039-S
-	Harness, coil	2184317	2184317	2184317
-	Probe, Defrost, Danfoss, Control	2194808	2194808	2194808
-	Probe, Temp, Sensor, Danfoss	2194809	2194809	2194809

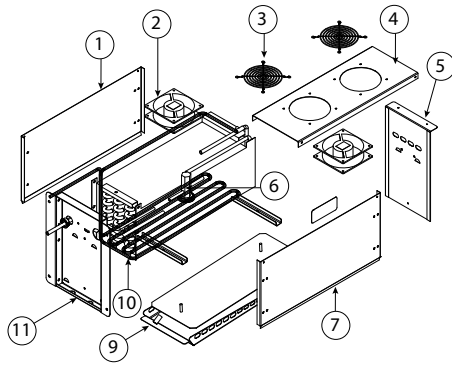
## No Probes Refrigerator Evaporator Assembly



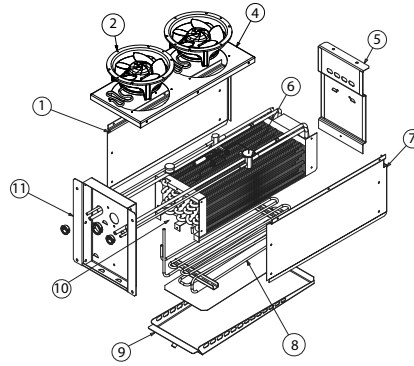
Key	Description	R404A Part Number Built Before 3-30-17	R404A EC Part Number Built After 3-30-17	R290 Part Number Built After 3-30-17
-	Coil Assembly, Ref, No Probes	000-248-0036-S	000-248-003K-S	000-248-003Y-S
1	Side, Coil, Angled, Lt	030-233-0002-S	030-233-0002-S	030-233-0002-S
2	Fan, Axial	2160023	2160045	2160045
3	Coil, evaporator	3516095	3516095	3510005
4	Back, evaporator, enclosure	030-232-0003-S	030-232-0003-S	030-232-0003-S
5	Drip pan, evaporator	000-BNH-0030-S	000-BNH-0030-S	000-BNH-0030-S
6	Side, coil, angled, Rt	030-233-0001-S	030-233-0001-S	030-233-0001-S
7	Guard, fan, 4.7"	2160024	2160024	2160024
8	Expansion valve	3516273	3516273	3517414
9	Front, coil	030-234-0003-S	030-234-0003-S	030-234-0003-S
-	Harness, coil	2184317	2184317	2184317

# Freezer Evaporator Assemblies

## Freezer Evaporator Assembly



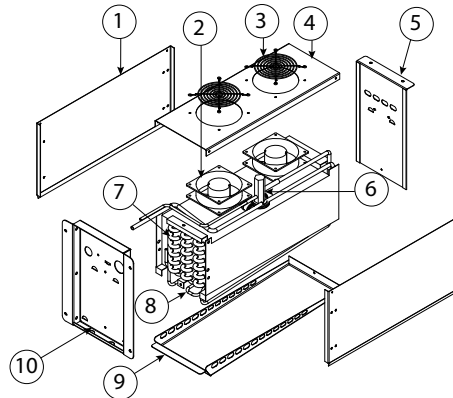
000-249-0004



000-249-0031

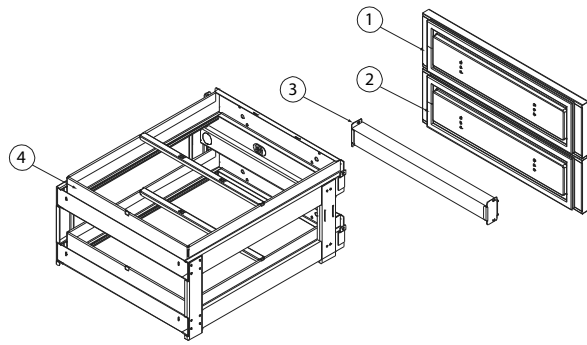
Key	Description	R404A Part Number	R290A Part Number
		Built Before 3-30-17	Built After 3-30-17
-	Coil Assembly, Evaporator, Freezer	000-249-0004-S	000-249-0031-S
1	Side, evaporator, Right	030-262-0001-S	030-262-0031-S
2	Fan, Axial	2160023	2160004
3	Guard, fan, 4.7", SC120-W2	2160024	NA
4	Top, Freezer, evaporator	030-260-0001-S	030-260-0030-S
5	Front, enclosure	030-259-0000-S	030-259-0030-S
6	Valve, Thermal expansion	3516271	3516661
7	Side, evaporator, Left	030-262-0001-S	030-262-0030-S
8	Heater, Defrost	NA	2194034
9	Pan, freezer evaporator	000-BNH-0031-S	000-BNH-0031-S
10	Coil, Evaporator	3516073	3510010
11	Back, evaporator	030-263-0001-S	030-263-0031-S
-	Harness, coil, Freezer, male	2184318	2184235
-	Probe, Defrost, Danfoss, Control	2194808	2194808
-	Probe, Temp, Sensor, Danfoss	2194809	2194809

## Remote Freezer Evaporator Assembly



Key	Description	Part Number
-	Coil Assembly, Freezer Evaporator, Remote	000-249-0006-S
1	Side, evaporator	030-262-0001-S
2	Fan, Axial	2160023
3	Guard, fan, 4.7", SC120-W2	2160024
4	Top, Freezer, evaporator	030-260-0001-S
5	Front, enclosure	030-259-0000-S
6	Valve, expansion, R404a	3516271
7	Coil, Evaporator	3516073
8	Heater, Defrost	2194034
9	Pan, freezer evaporator	000-BNH-0031-S
10	Back, evaporator	030-263-0001-S
-	Control, Limit, Fan Delay/Defrost	2194046
-	Fuse, Defrost Heater, 7 Amp	2194631
-	Harness, coil, Freezer, male, remote	2184323

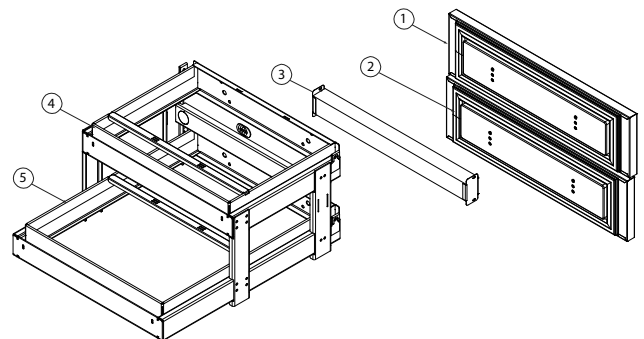
## Drawer Assemblies



Key	Description	Part Number
<b>Drawer Assembly, 32" frz, lo profile</b>		<b>000-AEW-006G-S</b>
1	Front, drawer, 32" lo profile	000-328-0033-S
2	Gasket, drawer, 32" lo profile	1701197
3	Mullion, Freezer, 32" Drawer	000-315-003B-S
4	Assembly, drawer box, 32"	000-333-0043-S
-	Interm profile, LH (with nylon rollers)	3234925
-	Interm profile, RH (with nylon rollers)	3234926
<b>Drawer Assembly, 27" frz, lo profile</b>		<b>000-AEW-006H-S</b>
1	Front, drawer 27" lo profile	000-328-0032-S
2	Gasket, drawer 27" lo profile	1701196
3	Mullion, Freezer, 27" Drawer	000-315-003A-S
4	Assembly, drawer box, 27" lo profile	000-333-0044-S
-	Interm profile, LH (with nylon rollers)	3234925
-	Interm profile, RH (with nylon rollers)	3234926
<b>Drawer Assembly, 19" frz, lo profile</b>		<b>000-AEW-006J-S</b>
1	Front, drawer, 19"	000-328-0030-S
2	Gasket, drawer 19" lo profile	1701194
3	Mullion, Freezer, 19" Drawer	000-315-0038-S
4	Assembly, drawer box, 19"	000-333-0046-S
-	Interm profile, LH (with nylon rollers)	3234925
-	Interm profile, RH (with nylon rollers)	3234926
<b>Drawer Assembly, 32" lo profile</b>		<b>000-AEW-0063-S</b>
1	Front, drawer, 32" lo profile	000-328-0033-S
2	Gasket, drawer, 32" lo profile	1701197
3	Mullion, refrigerator, 32" drawer	000-315-0033-S
4	Assembly, drawer box, 32"	000-333-0043-S
-	Interm profile, LH (with nylon rollers)	3234925
-	Interm profile, RH (with nylon rollers)	3234926
<b>Drawer Assembly, 27" lo profile</b>		<b>000-AEW-0064-S</b>
1	Front, drawer 27" lo profile	000-328-0032-S
2	Gasket, drawer 27" lo profile	1701196
3	Mullion, refrigerator, 27" drawer	000-315-0032-S
4	Assembly, drawer box, 27" lo profile	000-333-0044-S
-	Interm profile, LH (with nylon rollers)	3234925
-	Interm profile, RH (with nylon rollers)	3234926
<b>Drawer Assembly, 24" Lo Profile</b>		<b>000-AEW-0065-S</b>
1	Front, drawer 24" lo profile	000-328-0031-S
2	Gasket, drawer 24" lo profile	17013914
3	Mullion, refrigerator, 24" drawer	000-315-0031-S
4	Assembly, drawer box, 24" lo profile	000-373-0046-S
-	Interm profile, LH (with nylon rollers)	3234925
-	Interm profile, RH (with nylon rollers)	3234926
<b>Drawer Assembly, 19" lo profile</b>		<b>000-AEW-0066-S</b>
1	Front, drawer, 19"	000-328-0030-S
2	Gasket, drawer 19" lo profile	1701194
3	Mullion, refrigerator, 19" drawer	000-315-0030-S
4	Assembly, drawer box, 19"	000-333-0046-S
-	Interm profile, LH (with nylon rollers)	3234925
-	Interm profile, RH (with nylon rollers)	3234926

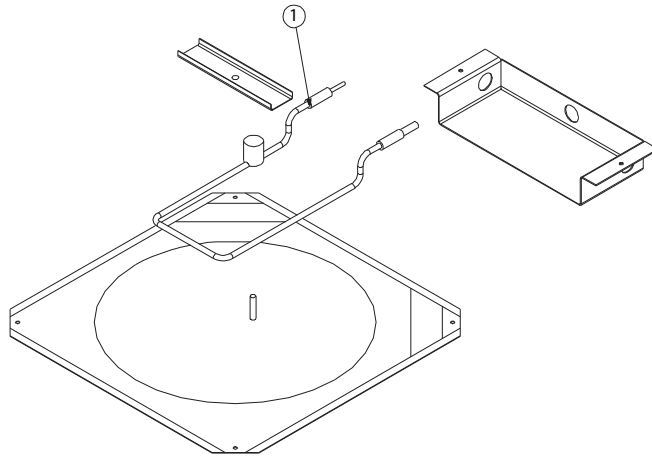
Key	Description	Part Number
<b>Drawer system, 32", lo-profile</b>		<b>000-AEW-007C-S</b>
1	Drawer front, 32"	000-328-003J-S
2	Gasket, drawer, 32"	1701197
3	Mullion, refrigerator, 32" drawer	000-315-0033-S
4	Drawer box, 32"	000-333-0043-S
-	Track, interm, left hand	3234925
-	Track, interm, right hand	3234926
<b>Drawer system, 27", lo-profile</b>		<b>000-AEW-007D-S</b>
1	Drawer front, 27"	000-328-003i-S
2	Gasket, drawer, 27"	1701196
3	Mullion, refrigerator, 27" drawer	000-315-0032-S
4	Drawer box, 27"	000-333-0044-S
-	Track, interm, left hand	3234925
-	Track, interm, right hand	3234926
<b>Drawer system, 19", lo-profile</b>		<b>000-AEW-007F-S</b>
1	Drawer front, 19"	000-328-003G-S
2	Gasket, drawer, 19"	1701194
3	Mullion, refrigerator, 19" drawer	000-315-0030-S
4	Drawer box, 19"	000-333-0046-S
-	Track, interm, left hand	3234925
-	Track, interm, right hand	3234926
<b>Drawer Assembly, Sys, Freezer</b>		<b>000-AEW-007K-S</b>
1	Front, 32 Drawer Freezer 3-HI	000-328-003J-S
2	Gasket, Drawer, 24, 2-High, Lo	1701195
3	Mullion, Freezer, 32" Drawer	000-315-003B-S
4	Assembly, Drawer Box, 32"	000-333-0043-S
-	Interm Profile, LH, Reg	3234925
-	Interm Profile, RH, Reg	3234926
<b>Drawer Assembly, Sys, Freezer</b>		<b>000-AEW-0084-S</b>
1	Front, 32 Drawer Freezer	272-024-007D-S
2	Gasket, Drawer, 32" Single	1700009
4	Drawer box Assembly, 32" LoPro, 1 Hi	000-373-0050-S
-	Interm Profile, LH, Reg	3234925
-	Interm Profile, RH, Reg	3234926
<b>Drawer Assembly, Sys, Freezer</b>		<b>000-AEW-0088-S</b>
1	Front, 32 Drawer Freezer	221-024-007H-S
2	Gasket, Drawer, 32" Single	1700009
4	Drawer box Assembly, 32" LoPro, 1 Hi	000-373-0050-S
-	Interm Profile, LH, Reg	3234925
-	Interm Profile, RH, Reg	3234926

## Shallow Drawer Assembly



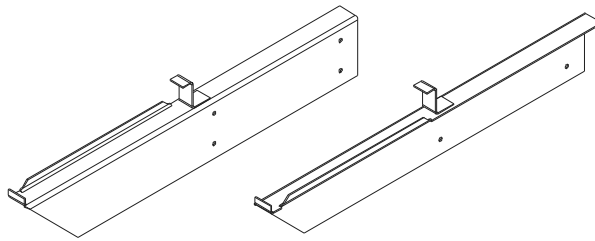
Key	Description	Part Number
<b>Drawer system, 27", lo-profile, Shallow/Full</b>		<b>000-AEW-0082</b>
1	Front, 27 Drawer 3-HI	000-328-003i-S
2	Gasket, Drawer, 24, 2-High, Lo	1701392
3	Mullion, Drawer, Ref, 27", Narrow	000-315-0032-S
4	Assembly, drawer box, shallow, 27"	000-333-004B-S
5	Assembly, drawer box, 27" lo profile	000-333-0044-S
-	Interm Profile, LH, Reg	3234925
-	Interm Profile, RH, Reg	3234926
-	Interm Profile, LH, Shallow	3234935
-	Interm Profile, RH, Shallow	3234936

## Condensate Evaporator Pan Assembly



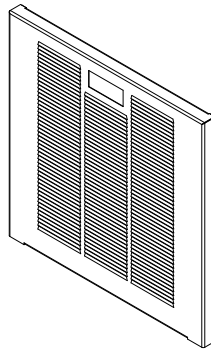
Key	Description	Part Number
-	Condensate Evaporator Pan Assembly	000-AMR-0030-S
1	Element, Heating, Condenser Evaporator	2194199

## Cutting Board Brackets



Bracket, cutting board, left hand	000-405-0031-S
Bracket, cutting board, right hand	000-405-0035-S

## Louvered Panels



Louver Panel, 9"	359-478-004M-S
Louver Panel, 14"	359-478-004H-S
Louver Panel, 16"	359-478-004L-S
Louver Panel, 18"	359-478-004J-S



**WWW.WELBILT.COM**

Welbilt provides the world's top chefs, and premier chain operators or growing independents with industry leading equipment and solutions. Our cutting-edge designs and lean manufacturing tactics are powered by deep knowledge, operator insights, and culinary expertise. All of our products are backed by KitchenCare® – our aftermarket, repair, and parts service.

- ▶ CLEVELAND
- ▶ CONVOTHERM®
- ▶ DELFIELD®
- ▶ FITKITCHEN™
- ▶ FRYMASTER®
- ▶ GARLAND
- ▶ KOLPAK®
- ▶ LINCOLN
- ▶ MANITOWOC®
- ▶ MERCO®
- ▶ MERRYCHEF®
- ▶ MULTIPLEX®