

F18 Series Work Tables

Parts List

Contents

F18DC Components	2
F18FC Components	4
F18FR Components	5
F18MC Components	6
F18MR Components	7
F18PD Components	8
F18RC Components	10
F18RR Components	11
F18SC Components	12
F18SR Components	13
F18WC Components	14
F18WR Components	15
Freezer Evaporator Assemblies	16
Refrigerator Evaporator Assemblies	18
1/5HP R290 Condensing Unit Assembly	21
1/5HP R404A Condensing Unit Assemblies	22
1/4HP R290 Condensing Unit Assemblies	23
1/4HP R404A Condensing Unit Assemblies	24
1/3HP R404A Condensing Unit Assemblies	25
1/2HP R404A Condensing Unit Assemblies	27
3/4HP R404A Condensing Unit Assemblies	29
1/5-1/5 Stacked R290 Condensing Unit Assembly	30
1/3-1/5 Stacked R404A Condensing Unit Assemblies	31
1/2-1/5 Stacked R404A Condensing Unit Assemblies	32
Part Prints	33

F18DC Components

F18DC-P R290 Components Per Model

Description	F18DC47P	F18DC60P	F18DC68P	F18DC72P	F18DC91P	F18DC99P	F18DC114P	Part Number	Note
Appliance Switch	X	X	X	X	X	X	X	2198717	
Coil assembly, R290, Fan Left	X							000-248-003Z-S	[C]
Coil assembly, R290, Ref		X	X	X	X	X	X	000-248-003T-S	[C]
Coil assembly, R290, No Probes, Built before 12-1-17					X	X	X	000-248-003X-S	[C]
Coil assembly, R290, Defrost Probe, Axial Fan, Built after 12-1-17					X	X	X	000-248-004D-S	
Condensing unit, 1/4hp, R290, Double Hook Up	X	X	X					000-BN5-007W-S	[G]
Condensing unit, Dual, 1/5HP, R290 Split System				X	X	X	X	000-BN5-007Y-S	[J]
Hinge, pan cover, center		X	X	X	X			3234392	
Hinge, pan cover, left	X	X	X	X	X	X	X	3234282	
Hinge, pan cover, right	X	X	X	X	X	X	X	3234266	
Hinge, pin (for pan cover)	X	X	X	X	X	X	X	9321374	
Hinge Kit	X	X	X	X	X	X	X	0160179	
Leg, 6", s/s	X	X	X	X	X	X	X	3234645	
Shelf, 19" door		X			X			3977984	
Shelf, 24" door								3977998	
Shelf, 27" door	X	X	X	X	X	X		3978014	
Shelf, 32" door							X	3977983	
Shelf support, 1" blue	X	X	X	X	X	X	X	3234290	
Shelf support screw (coil side)	X	X	X	X	X	X	X	9321040	
Shelf support screw (wall side)	X	X	X	X	X	X	X	9321132	
Solenoid Coil, 120V/50/60HZ (rail)	X	X	X					3516053	
Solenoid Valve (rail)	X	X	X					3516102	
Thermal Expansion Valve ,W/O MOP, R290	X	X	X	X	X	X	X	3517414	
Thermostat, Rail/CP, MK7	X	X	X	X	X	X	X	000-CZ0-0057KT-S	
Thermostat, Refg, Double HookUp	X	X	X					000-CZ0-0059KT-S	
Thermostat, Refg, MK7, For 91", 99", 114" Built before 12-1-17				X	X	X	X	000-CZ0-0061KT-S	
Control Assembly, Refg, MK7, Dual Defrost, Built after 12-1-17					X	X	X	000-CZ0-0086KT-S	

NOTE: [C] Refrigerator Evaporator Assemblies start on page 18.

NOTE: [G] 1/4HP R290 Condensing Unit Assemblies on page 23.

NOTE: [J] 1/5-1/5 Stacked R290 Condensing Unit Assembly start on page 30.

Obsolete F18DC R404A Components

R404A models replacement parts only. Units are no longer in production as of 3-30-17.

Description	Part Number	Note
Coil assembly, R404A	000-248-0030-S	[C]
Condensing unit, 1/4hp, R404A	000-BN5-0030-S	[F]
Condensing unit, 1/3hp, R404a	000-BN5-0037-S	[H]
Condensing unit, 1/2hp, R404a	000-BN5-0035-S	[I]
Control, pressure, low	2193927	
Hinge, pan cover, center	3234392	
Hinge, pan cover, left	3234282	
Hinge, pan cover, right	3234266	
Hinge, pin (for pan cover)	9321374	
Hinge Kit	0160179	
Leg, 6", s/s	3234645	
Shelf, 19" door	3977984	
Shelf, 24" door	3977998	
Shelf, 27" door	3978014	
Shelf, 32" door	3977983	
Shelf support, 1" blue	3234290	
Shelf support screw (coil side)	9321040	
Shelf support screw (wall side)	9321132	
Solenoid Coil, 120V/50/60HZ (rail)	3516053	
Solenoid Valve (rail)	3516102	
Switch, Rocker	2190154	
Thermal Expansion Valve	3516225	
Thermostat, Danfoss, GDM, 115V	RF000083	

NOTE: [C] Refrigerator Evaporator Assemblies start on page 18.

NOTE: [F] 1/4HP R404A Condensing Unit Assemblies start on page 24.

NOTE: [H] 1/3HP R404A Condensing Unit Assemblies start on page 25.

NOTE: [I] 1/2HP R404A Condensing Unit Assemblies start on page 27.

F18DC-E Components

Description	Part Number	Note
Coil assembly, R404A	000-248-0033-S	[C]
Condensing unit, 1/4hp, R404a	000-BN5-003J-S	[F]
Condensing unit, 1/3hp, R404a	000-BN5-003M-S	[H]
Condensing unit, 1/2hp, R404a	000-BN5-003O-S	[I]
Connector, solenoid coil	MCP00158	
Control, pressure, low	MCP00145	
Filter, Line	2194963	
Hinge, pan cover, center	3234392	
Hinge, pan cover, left	3234282	
Hinge, pan cover, right	3234266	
Hinge, pin (for pan cover)	9321374	
Hinge Kit	0160179	
Leg, 6", s/s	3234645	
Shelf, 19" door	3977984	
Shelf, 24" door	3977998	
Shelf, 27" door	3978014	
Shelf, 32" door	3977983	
Solenoid Coil, 240V (rail)	MCP00142	
Solenoid Valve (rail)	MCP00141	
Switch, rocker	2194400	
Shelf support, 1" blue	3234290	
Shelf support screw (coil side)	9321040	
Shelf support screw (wall side)	9321132	
Thermal Expansion Valve (rail)	MCP00140	
Thermostat, Ref, Danfoss, ETC1H-1, 220V	RF000089	

NOTE: [C] Refrigerator Evaporator Assemblies start on page 18.

NOTE: [F] 1/4HP R404A Condensing Unit Assemblies start on page 24.

NOTE: [H] 1/3HP R404A Condensing Unit Assemblies start on page 25.

NOTE: [I] 1/2HP R404A Condensing Unit Assemblies start on page 27.

F18FC Components

F18FC-V Components Per Model

Description	F18FC43V	F18FC62V	F18FC88V	Part Number	Note
Appliance Switch	X	X	X	2198717	
Coil assembly, freezer, R404a	X			000-249-0004-S	[A]
Coil assembly, freezer, Energy, EC Fans		X	X	000-249-0030-S	[A]
Condensing unit, 1/3HP, w/Rec, HG, Lo Temp	X			000-BN5-006U-S	[H]
Condensing unit, 1/2HP, low temp, HG		X		000-BN5-0078-S	[I]
Condensing unit, 3/4HP, low temp, Hot Gas			X	000-BN5-007E-S	[K]
Hinge Kit	X	X	X	0160179	
Leg, 6", s/s	X	X	X	3234645	
Shelf, 19" door	X	X		3977984	
Shelf, 32" door			X	3977983	
Shelf support, 1" blue	X	X	X	3234290	
Shelf support screw (coil side)	X	X	X	9321040	
Shelf support screw (wall side)	X	X	X	9321132	
Thermostat, Freezer, MK7	X	X	X	000-CZ0-0056KT-S	

NOTE: [A] Freezer Evaporator Assemblies start on page 16.

NOTE: [H] 1/3HP R404A Condensing Unit Assemblies start on page 25.

NOTE: [I] 1/2HP R404A Condensing Unit Assemblies start on page 27.

NOTE: [K] 3/4HP R404A Condensing Unit Assemblies on page 29.

Obsolete F18FC Components

Replacement parts only. Units are no longer in production as of 3-30-17.

Description	Part Number	Note
Coil assembly, freezer, R404a	000-249-0004-S	[A]
Condensing unit, 1/3HP, w/rec, hg	000-BN5-0053-S	[H]
Condensing unit, 1/2HP, low temp, hg	000-BN5-0054-S	[I]
Condensing unit, 3/4HP, low temp, hg	000-BN5-0055-S	[K]
Hinge Kit	0160179	
Leg, 6", s/s	3234645	
Shelf, 19" door	3977984	
Shelf, 24" door	3977998	
Shelf, 27" door	3978014	
Shelf, 32" door	3977983	
Shelf support, 1" blue	3234290	
Shelf support screw (coil side)	9321040	
Shelf support screw (wall side)	9321132	
Switch, rocker	2190154	
Thermostat, Danfoss, Freezer, 115V	RF000085	

NOTE: [A] Freezer Evaporator Assemblies start on page 16.

NOTE: [H] 1/3HP R404A Condensing Unit Assemblies start on page 25.

NOTE: [I] 1/2HP R404A Condensing Unit Assemblies start on page 27.

NOTE: [K] 3/4HP R404A Condensing Unit Assemblies on page 29.

F18FC-E Components

Description	Part Number	Note
Condensing unit, 1/3HP, 220/50	000-BN5-003M-S	[H]
Coil assembly, evap, freezer, 220V	000-249-0005-S	[A]
Filter, Line	2194963	
Hinge Kit	0160179	
Leg, 6", s/s	3234645	
Shelf, 19" door	3977984	
Shelf support, 1" blue	3234290	
Shelf support screw (coil side)	9321040	
Shelf support screw (wall side)	9321132	
Switch, rocker	2194400	
Thermostat, Danfoss, Freezer, 220V	RF000088	

NOTE: [A] Freezer Evaporator Assemblies start on page 16.

NOTE: [H] 1/3HP R404A Condensing Unit Assemblies start on page 25.

F18FR Components

Replacement parts only. Remote models are no longer standard as of 3-30-17.

Description	Part Number	Note
Coil assembly, freezer evaporator, remote	000-249-0006-S	[A]
Hinge Kit	0160179	
Leg, 6", s/s	3234645	
Shelf, 19" door	3977984	
Shelf, 24" door	3977998	
Shelf, 27" door	3978014	
Shelf, 32" door	3977983	
Shelf support, 1" blue	3234290	
Shelf support screw (coil side)	9321040	
Shelf support screw (wall side)	9321132	
Solenoid Coil, 120V/50/60HZ	3516053	
Solenoid Valve	3516102	
Timer, Paragon, #8145-00	2194151	
Thermostat, Temperature	3516056	

NOTE: [A] Freezer Evaporator Assemblies start on page 16.

F18MC Components

F18MC-V Components Per Model

Description	F18MC39AV	F18MC39DV	F18MC52AV	F18MC52DV	F18MC52EV	F18MC60AV	F18MC60DV	F18MC60EV	F18MC60FV	Part Number	Note
Angle, Coil, Top Baffle	X									030-209-0030-S	
Appliance Switch	X		X			X				2198717	
Coil assembly, R404A, Ref, EC Fans			X			X				000-248-003i-S	[C]
Coil assembly, R404A, Ref, Fan Lt, EC Fans	X									000-248-003L-S	[C]
Condensing unit, 1/4hp, R404a	X		X			X				000-BN5-006O-S	[F]
Control, pressure, low	X		X			X				2193927	
Hinge, pan cover, center						X				3234392	
Hinge, pan cover, left	X		X			X				3234282	
Hinge, pan cover, right	X		X			X				3234266	
Hinge, pin (for pan cover)	X		X			X				9321374	
Hinge kit, lo profile (left or right)	X		X			X				0420068-S	
Leg, 6", s/s	X		X			X				3234645	
Solenoid Coil, 120V/50/60HZ (rail)	X		X			X				3516053	
Solenoid Valve (rail)	X		X			X				3516102	
Thermal Expansion Valve (rail)	X		X			X				3516225	
Thermostat, Refg, Double HookUp	X		X			X				000-CZ0-0059KT-S	

NOTE: [C] Refrigerator Evaporator Assemblies start on page 18.

NOTE: [F] 1/4HP R404A Condensing Unit Assemblies start on page 24.

Obsolete F18MC Components

Replacement parts only. Units are no longer in production as of 3-30-17.

Description	Part Number	Note
Angle, Coil, Top Baffle	030-209-0030-S	
Coil assembly, R404A	000-248-0030-S	[C]
Coil assembly, R404A, Fan Lt	000-248-0037-S	[C]
Condensing unit, 1/4hp, R404a	000-BN5-0030-S	[F]
Control, pressure, low	2193927	
Hinge, pan cover, center	3234392	
Hinge, pan cover, left	3234282	
Hinge, pan cover, right	3234266	
Hinge, pin (for pan cover)	9321374	
Hinge kit, lo profile (left or right)	0420068-S	
Leg, 6", s/s	3234645	
Solenoid Coil, 120V/50/60HZ (rail)	3516053	
Solenoid Valve (rail)	3516102	
Switch, rocker	2190154	
Thermal Expansion Valve (rail)	3516225	
Thermostat, Danfoss, GDM, 115V	RF000083	

NOTE: [C] Refrigerator Evaporator Assemblies start on page 18.

NOTE: [F] 1/4HP R404A Condensing Unit Assemblies start on page 24.

F18MC-E Components

Description	Part Number	Note
Angle, Coil, Top Baffle	030-209-0030-S	
Coil assembly, R404A	000-248-0033-S	[C]
Coil assembly, R404A, 220V, Fan Lt	000-248-003D-S	[C]
Condensing unit, 1/4hp, R404a	000-BN5-003J-S	[F]
Connector, solenoid coil	MCP00158	
Control, pressure, low	MCP00145	
Filter, Line	2194963	
Hinge, pan cover, center	3234392	
Hinge, pan cover, left	3234282	
Hinge, pan cover, right	3234266	
Hinge, pin (for pan cover)	9321374	
Hinge kit, lo profile (left or right)	0420068-S	
Leg, 6", s/s	3234645	
Solenoid Coil, 240V (rail)	MCP00142	
Solenoid Valve (rail)	MCP00141	
Switch, rocker	2194400	
Thermal Expansion Valve (rail)	MCP00140	
Thermostat, Ref, Danfoss, ETC1H-1, 220V	RF000089	

NOTE: [C] Refrigerator Evaporator Assemblies start on page 18.

NOTE: [F] 1/4HP R404A Condensing Unit Assemblies start on page 24.

F18MR Components

Replacement parts only. Remote models are no longer standard as of 3-30-17.

Description	Part Number	Note
Angle, Coil, Top Baffle	030-209-0030-S	
Coil assembly, R404A	000-248-0030-S	[C]
Coil assembly, R404A, Fan Lt	000-248-0037-S	[C]
Hinge, pan cover, center	3234392	
Hinge, pan cover, left	3234282	
Hinge, pan cover, right	3234266	
Hinge, pin (for pan cover)	9321374	
Hinge kit, lo profile (left or right)	0420068-S	
Leg, 6", s/s	3234645	
Nut, acorn (for pan cover)	9321041	
Solenoid Coil, 120V/50/60HZ (rail)	3516053	
Solenoid Valve (rail)	3516102	
Switch, rocker	2190154	
Thermal Expansion Valve (rail)	3516225	
Thermostat, Danfoss, GDM, 115V	RF000083	
Thermostat, rail	2194201	

NOTE: [C] Refrigerator Evaporator Assemblies start on page 18.

F18PD Components

F18PD-V Components Per Model

Description	F18PD48V	F18PD72V	Part Number	Note
Appliance Switch	X	X	2198717	
Coil assembly, R404A, Ref, EC Fans		X	000-248-003i-S	[C]
Coil assembly, R404A, Ref, Fan Lt, EC Fans	X		000-248-003L-S	[C]
Condensing Assembly, 1/3-1/5 Stacked	X		000-BN5-007K-S	[L]
Condensing Assembly, 1/2-1/5 Stacked, PDL, RH		X	000-BN5-007i-S	[M]
Cover Assembly, hinged, 6 pan, l/t	X	X	000-402-0056-S	[O]
Door Assembly, ref, 27x26, lt	X	X	000-187-006B-S	[O]
Door Assembly, ref, 27x26, rt		X	000-187-006A-S	[O]
Leg, 6, s/s, removable Foot	X	X	3234645	[O]
Panel, louver, 14.0, PD	X		356-478-004Y-S	[O]
Panel, louver, 18.0, PD		X	356-478-004Z-S	
Shelf, wire, coated	X	X	3978014	
Support, shelf, plastic	X	X	3234290	
Thermometer, hanging, 4	X	X	3516135	
Thermostat, Lt, MK7	X	X	000-CZ0-0058KT-S	
Thermostat, Refg, MK7	X	X	000-CZ0-0061KT-S	

NOTE: [C] Refrigerator Evaporator Assemblies start on page 18.

NOTE: [L] 1/3-1/5 Stacked R404A Condensing Unit Assemblies on page 31.

NOTE: [M] 1/2-1/5 Stacked R404A Condensing Unit Assemblies on page 32.

NOTE: [O] Part Prints on page 33.

Obsolete F18PD48 Components

Replacement parts only. Units are no longer in production as of 3-30-17.

Description	Part Number	Note
Coil assembly, R404A, Fan Lt	000-248-0037-S	[C]
Condensing Assembly, 1/3-1/5 Stacked	000-BN5-0040-S	[L]
Cover Assembly, hinged, 6 pan, l/t	000-402-0056-S	[O]
Door Assembly, ref, 27x26, lt	000-187-006B-S	[O]
Leg, 6, s/s, removable Foot	3234645	
Panel, louver, 14.0, sw Cut, lh	356-478-0038-S	[O]
Shelf, wire, coated	3978014	
Support, shelf, plastic	3234290	
Switch, rocker, 20a/125v	2190154	
Thermometer, hanging, 4	3516135	
Thermostat, Danfoss, Etc1h-1	000-282-0053-S	
Thermostat, Danfoss, GDM, 115V	RF000083	

NOTE: [C] Refrigerator Evaporator Assemblies start on page 18.

NOTE: [L] 1/3-1/5 Stacked R404A Condensing Unit Assemblies on page 31.

NOTE: [O] Part Prints on page 33.

Obsolete F18PD72 Components

Replacement parts only. Units are no longer in production as of 3-30-17.

Description	Part Number	Note
Coil assembly, R404A	000-248-0030-S	[C]
Condensing Assembly, 1/2-1/5 Stacked	000-BN5-003Y-S	[M]
Cover Assembly, hinged, 6pan, l/t	000-402-0056-S	[O]
Door Assembly, ref, 27x26, lt	000-187-006B-S	[O]
Door Assembly, ref, 27x26, rt	000-187-006A-S	[O]
Leg, 6, s/s, removable Foot	3234645	
Panel, louver, 18.0, sw Cut, lh	356-478-0039-S	[O]
Shelf, wire, coated	3978014	
Support, shelf, plastic	3234290	
Switch, rocker, 20a/125v	2190154	
Thermometer, hanging, 4	3516135	
Thermostat, Danfoss, Etc1h-1	000-282-0053-S	
Thermostat, Danfoss, GDM, 115V	RF000083	

NOTE: [C] Refrigerator Evaporator Assemblies start on page 18.

NOTE: [M] 1/2-1/5 Stacked R404A Condensing Unit Assemblies on page 32.

NOTE: [O] Part Prints on page 33.

F18RC Components

F18RC-P R290 Components Per Model

Description	F18RC47P	F18RC60P	F18RC68P	F18RC72P	F18RC91P	F18RC99P	F18RC114P	Part Number	Note
Appliance Switch	X	X	X	X	X	X	X	2198717	
Coil assembly, R290, Fan Left	X							000-248-003Z-S	[C]
Coil assembly, R290, Ref		X	X	X	X	X	X	000-248-003T-S	[C]
Coil assembly, R290, No Probes, Built before 12-1-17					X	X	X	000-248-003X-S	[C]
Coil assembly, R290, Defrost Probe, Axial Fan, Built after 12-1-17					X	X	X	000-248-004D-S	
Condensing unit, 1/4hp, R290, Double HookUp	X	X	X					000-BN5-007W-S	[G]
Condensing unit, Dual, 1/5HP, R290 Split System				X	X	X	X	000-BN5-007Y-S	[J]
Hinge, pan cover, center		X	X	X	X	X	X	3234392	
Hinge, pan cover, left	X	X	X	X	X	X	X	3234282	
Hinge, pan cover, right	X	X	X	X	X	X	X	3234266	
Hinge, pin (for pan cover)	X	X	X	X	X	X	X	9321374	
Hinge Kit	X	X	X	X	X	X	X	0160179	
Leg, 6", s/s	X	X	X	X	X	X	X	3234645	
Shelf, 19" door		X			X			3977984	
Shelf, 27" door	X	X	X	X	X	X		3978014	
Shelf, 32" door							X	3977983	
Shelf support, 1" blue	X	X	X	X	X	X	X	3234290	
Shelf support screw (coil side)	X	X	X	X	X	X	X	9321040	
Shelf support screw (wall side)	X	X	X	X	X	X	X	9321132	
Solenoid Coil, 120V/50/60HZ (rail)	X	X	X					3516053	
Solenoid Valve (rail)	X	X	X					3516102	
Thermal Expansion Valve	X	X	X	X	X	X	X	3517414	
Thermostat, Rail/CP, MK7	X	X	X	X	X	X	X	000-CZ0-0057KT-S	
Thermostat, Refg, Double HookUp	X	X	X					000-CZ0-0059KT-S	
Thermostat, Refg, MK7, For 91", 99", 114" Built before 12-1-17				X	X	X	X	000-CZ0-0061KT-S	
Control Assembly, Refg, MK7, Dual Defrost, Built after 12-1-17					X	X	X	000-CZ0-0086KT-S	

NOTE: [C] Refrigerator Evaporator Assemblies start on page 18.

NOTE: [G] 1/4HP R290 Condensing Unit Assemblies on page 23.

NOTE: [J] 1/5-1/5 Stacked R290 Condensing Unit Assembly on page 30.

Obsolete F18RC R404A Components

R404A models replacement parts only. Units are no longer in production as of 3-30-17.

Description	Part Number	Note
Coil assembly, R404A	000-248-0030-S	[C]
Condensing unit, 1/4hp, R404a	000-BN5-0030-S	[F]
Condensing unit, 1/3hp, R404a	000-BN5-0037-S	[H]
Condensing unit, 1/2hp, R404a	000-BN5-0035-S	[I]
Control, pressure, low	2193927	
Hinge, pan cover, center	3234392	
Hinge, pan cover, left	3234282	
Hinge, pan cover, right	3234266	
Hinge, pin (for pan cover)	9321374	
Hinge Kit	0160179	
Leg, 6", s/s	3234645	
Shelf, 19" door	3977984	
Shelf, 24" door	3977998	
Shelf, 27" door	3978014	
Shelf, 32" door	3977983	
Shelf support, 1" blue	3234290	
Shelf support screw (coil side)	9321040	
Shelf support screw (wall side)	9321132	
Solenoid Coil, 120V/50/60HZ (rail)	3516053	
Solenoid Valve (rail)	3516102	
Switch, rocker	2190154	
Thermal Expansion Valve (rail)	3516225	
Thermostat, Danfoss, GDM, 115V	RF000083	

NOTE: [C] Refrigerator Evaporator Assemblies start on page 18.

NOTE: [F] 1/4HP R404A Condensing Unit Assemblies start on page 24.

NOTE: [H] 1/3HP R404A Condensing Unit Assemblies start on page 25.

NOTE: [I] 1/2HP R404A Condensing Unit Assemblies start on page 27.

F18RC-E Components

Description	Part Number	Note
Coil assembly, R404A	000-248-0033-S	[C]
Condensing unit, 1/4hp, R404a	000-BN5-003J-S	[F]
Condensing unit, 1/3hp, R404a	000-BN5-003M-S	[H]
Condensing unit, 1/2hp, R404a	000-BN5-003O-S	[I]
Connector, solenoid coil	MCP00158	
Control, pressure, low	MCP00145	
Filter, Line	2194963	
Hinge, pan cover, center	3234392	
Hinge, pan cover, left	3234282	
Hinge, pan cover, right	3234266	
Hinge, pin (for pan cover)	9321374	
Hinge Kit	0160179	
Leg, 6", s/s	3234645	
Shelf, 19" door	3977984	
Shelf, 24" door	3977998	
Shelf, 27" door	3978014	
Shelf, 32" door	3977983	
Shelf support, 1" blue	3234290	
Shelf support screw (coil side)	9321040	
Shelf support screw (wall side)	9321132	
Solenoid Coil, 240V (rail)	MCP00142	
Solenoid Valve (rail)	MCP00141	
Switch, rocker	2194400	
Thermal Expansion Valve (rail)	MCP00140	
Thermostat, Ref, Danfoss, ETC1H-1, 220V	RF000089	

NOTE: [C] Refrigerator Evaporator Assemblies start on page 18.

NOTE: [F] 1/4HP R404A Condensing Unit Assemblies start on page 24.

NOTE: [H] 1/3HP R404A Condensing Unit Assemblies start on page 25.

NOTE: [I] 1/2HP R404A Condensing Unit Assemblies start on page 27.

F18RR Components

Replacement parts only. Remote models are no longer standard as of 3-30-17.

Description	Part Number	Note
Coil assembly, R404A	000-248-0030-S	[C]
Coil assembly, R404A, Fan Lt	000-248-0037-S	[C]
Hinge, pan cover, center	3234392	
Hinge, pan cover, left	3234282	
Hinge, pan cover, right	3234266	
Hinge, pin (for pan cover)	9321374	
Hinge Kit	0160179	
Leg, 6", s/s	3234645	
Shelf, 19" door	3977984	
Shelf, 24" door	3977998	
Shelf, 27" door	3978014	
Shelf, 32" door	3977983	
Shelf support, 1" blue	3234290	
Shelf support screw (coil side)	9321040	
Shelf support screw (wall side)	9321132	
Solenoid Coil, 120V/50/60HZ (rail)	3516053	
Solenoid Valve (rail)	3516102	
Switch, rocker	2190154	
Thermal Expansion Valve (rail)	3516225	
Thermostat, Danfoss, GDM, 115V	RF000083	
Thermostat, rail	2194201	

NOTE: [C] Refrigerator Evaporator Assemblies start on page 18.

F18SC Components

F18SC-V Components Per Model

Description	F18SC39AV	F18SC39BV	F18SC52AV	F18SC52BV	F18SC52CV	F18SC52DV	F18SC60AV	F18SC60BV	F18SC60CV	F18SC60DV	Part Number	Note
Angle, Coil, Top Baffle	X										030-209-0030-S	
Appliance Switch	X		X				X				2198717	
Coil assembly, R404A, Ref, EC Fans				X			X				000-248-003i-S	[C]
Coil assembly, R404A, Ref, Fan Lt, EC Fans	X										000-248-003L-S	[C]
Condensing unit, 1/4hp, R404a	X		X				X				000-BN5-006O-S	[F]
Control, pressure, low	X		X				X				2193927	
Hinge, pan cover, left	X		X				X				3234282	
Hinge, pan cover, right	X		X				X				3234266	
Hinge, pin (for pan cover)	X		X				X				9321374	
Hinge kit, lo profile (left or right)	X		X				X				0420068-S	
Leg, 6", s/s	X		X				X				3234645	
Solenoid Coil, 120V/50/60HZ (rail)	X		X				X				3516053	
Solenoid Valve (rail)	X		X				X				3516102	
Thermal Expansion Valve (rail)	X		X				X				3516225	
Thermostat, Refg, Double HookUp	X		X				X				000-CZ0-0059KT-S	

NOTE: [C] Refrigerator Evaporator Assemblies start on page 18.

NOTE: [F] 1/4HP R404A Condensing Unit Assemblies start on page 24.

Obsolete F18SC Components

Replacement parts only. Units are no longer in production as of 3-30-17.

Description	Part Number	Note
Angle, Coil, Top Baffle	030-209-0030-S	
Coil assembly, R404A	000-248-0030-S	[C]
Coil assembly, R404A, Fan Lt	000-248-0037-S	[C]
Condensing unit, 1/4hp, R404a	000-BN5-0030-S	[F]
Control, pressure, low	2193927	
Hinge, pan cover, center	3234392	
Hinge, pan cover, left	3234282	
Hinge, pan cover, right	3234266	
Hinge, pin (for pan cover)	9321374	
Hinge kit, lo profile (left or right)	0420068-S	
Leg, 6", s/s	3234645	
Solenoid Coil, 120V/50/60HZ (rail)	3516053	
Solenoid Valve (rail)	3516102	
Switch, rocker	2190154	
Thermal Expansion Valve (rail)	3516225	
Thermostat, Danfoss, GDM, 115V	RF000083	

NOTE: [C] Refrigerator Evaporator Assemblies start on page 18.

NOTE: [F] 1/4HP R404A Condensing Unit Assemblies start on page 24.

F18SC-E Components

Description	Part Number	Note
Angle, Coil, Top Baffle	030-209-0030-S	
Coil assembly, R404A	000-248-0033-S	[C]
Coil assembly, R404A, 220V, Fan Lt	000-248-003D-S	[C]
Condensing unit, 1/4hp, R404a	000-BN5-003J-S	[F]
Connector, solenoid coil	MCP00158	
Control, pressure, low	MCP00145	
Filter, Line	2194963	
Hinge, pan cover, center	3234392	
Hinge, pan cover, left	3234282	
Hinge, pan cover, right	3234266	
Hinge, pin (for pan cover)	9321374	
Hinge kit, lo profile (left or right)	0420068-S	
Leg, 6", s/s	3234645	
Solenoid Coil, 240V (rail)	MCP00142	
Solenoid Valve (rail)	MCP00141	
Switch, rocker	2194400	
Thermal Expansion Valve (rail)	MCP00140	
Thermostat, Ref, Danfoss, ETC1H-1, 220V	RF000089	

NOTE: [C] Refrigerator Evaporator Assemblies start on page 18.

NOTE: [F] 1/4HP R404A Condensing Unit Assemblies start on page 24.

F18SR Components

Replacement parts only. Remote models are no longer standard as of 3-30-17.

Description	Part Number	Note
Angle, Coil, Top Baffle	030-209-0030-S	
Coil assembly, R404A	000-248-0030-S	[C]
Coil assembly, R404A, Fan Lt	000-248-0037-S	[C]
Hinge, pan cover, center	3234392	
Hinge, pan cover, left	3234282	
Hinge, pan cover, right	3234266	
Hinge, pin (for pan cover)	9321374	
Hinge kit, lo profile (left or right)	0420068-S	
Leg, 6", s/s	3234645	
Solenoid Coil, 120V/50/60HZ (rail)	3516053	
Solenoid Valve (rail)	3516102	
Switch, rocker	2190154	
Thermal Expansion Valve (rail)	3516225	
Thermostat, Danfoss, GDM, 115V	RF000083	
Thermostat, rail	2194201	

NOTE: [C] Refrigerator Evaporator Assemblies start on page 18.

F18WC Components

F18WC-P R290 Components Per Model

Description	F18WC44P	F18WC48P	F18WC60P	F18WC68P	F18WC87P	F18WC95P	Part Number	Note
Appliance Switch	X	X	X	X	X	X	2198717	
Coil assembly, R290, Fan Left	X	X					000-248-003Z-S	[C]
Coil assembly, R290, Ref			X	X	X	X	000-248-003T-S	[C]
Coil assembly, R290, No Probes, Built before 12-1-17					X	X	000-248-003X-S	[C]
Coil assembly, R290, Defrost Probe, Axial Fan, Built after 12-1-17					X	X	000-248-004D-S	
Condensing unit, 1/5hp, R290	X	X	X	X			000-BN5-007U-S	[B]
Condensing unit, 1/4hp, R290					X	X	000-BN5-007V-S	[G]
Hinge Kit	X	X	X	X	X	X	0160179	
Leg, 6", s/s	X	X	X	X	X	X	3234645	
Shelf, 19" door			X		X		3977984	
Shelf, 24" door	X						3977998	
Shelf, 27" door		X		X	X	X	3978014	
Shelf, 32" door							3977983	
Shelf support, 1" blue	X	X	X	X	X	X	3234290	
Shelf support screw (coil side)	X	X	X	X	X	X	9321040	
Shelf support screw (wall side)	X	X	X	X	X	X	9321132	
Thermostat, Refg, MK7, For 87" & 95" Built before 12-1-17	X	X	X	X	X	X	000-CZ0-0061KT-S	
Control Assembly, Refg, MK7, Built after 12-1-17					X	X	000-CZ0-0086KT-S	

NOTE: [B] 1/5HP R290 Condensing Unit Assembly on page 21.

NOTE: [C] Refrigerator Evaporator Assemblies start on page 18.

NOTE: [G] 1/4HP R290 Condensing Unit Assemblies on page 23.

Obsolete F18WC R404A Components

R404A models replacement parts only. Units are no longer in production as of 3-30-17.

Description	Part Number	Note
Coil assembly, R404A	000-248-0030-S	[C]
Coil assembly, R404A, Fan Lt	000-248-0037-S	[C]
Condensing unit, 1/5hp, R404a	000-BN5-0031-S	[E]
Condensing unit, 1/4hp, R404a	000-BN5-0030-S	[F]
Hinge Kit	0160179	
Leg, 6", s/s	3234645	
Shelf, 19" door	3977984	
Shelf, 24" door	3977998	
Shelf, 27" door	3978014	
Shelf, 32" door	3977983	
Shelf support, 1" blue	3234290	
Shelf support screw (coil side)	9321040	
Shelf support screw (wall side)	9321132	
Switch, rocker	2190154	
Thermostat, Danfoss, GDM, 115V	RF000084	

NOTE: [C] Refrigerator Evaporator Assemblies start on page 18.

NOTE: [E] 1/5HP R404A Condensing Unit Assemblies start on page 22.

NOTE: [F] 1/4HP R404A Condensing Unit Assemblies start on page 24.

F18WC-E

Description	Part Number	Note
Coil assembly, R404A	000-248-0033-S	[C]
Coil assembly, R404A, 220V, Fan Lt	000-248-003D-S	[C]
Condensing unit, 1/5hp, 220V, R404a	000-BN5-003I-S	[E]
Condensing unit, 1/4hp, R404a	000-BN5-003J-S	[F]
Filter, Line	2194963	
Hinge Kit	0160179	
Leg, 6", s/s	3234645	
Shelf, 19" door	3977984	
Shelf, 24" door	3977998	
Shelf, 27" door	3978014	
Shelf, 32" door	3977983	
Switch, rocker	2194400	
Shelf support, 1" blue	3234290	
Shelf support screw (coil side)	9321040	
Shelf support screw (wall side)	9321132	
Thermostat, Ref, Danfoss, ETC1H-1, 220V	RF000089	

NOTE: [C] Refrigerator Evaporator Assemblies start on page 18.

NOTE: [E] 1/5HP R404A Condensing Unit Assemblies start on page 22.

NOTE: [F] 1/4HP R404A Condensing Unit Assemblies start on page 24.

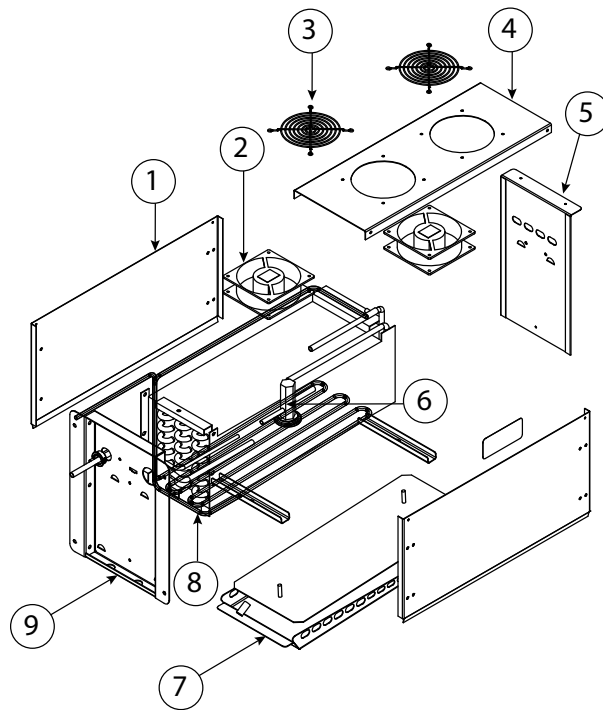
F18WR Components

Replacement parts only. Remote models are no longer standard as of 3-30-17.

Description	Part Number	Note
Coil assembly, R404A	000-248-0030-S	[C]
Coil assembly, R404A, Fan Lt	000-248-0037-S	[C]
Hinge Kit (left or right hinged)	0160179	
Leg, 6", s/s	3234645	
Shelf, 19" door	3977984	
Shelf, 24" door	3977998	
Shelf, 27" door	3978014	
Shelf, 32" door	3977983	
Shelf support, 1" blue	3234290	
Shelf support screw (coil side)	9321040	
Shelf support screw (wall side)	9321132	
Thermostat, Danfoss, GDM, 115V	RF000084	

NOTE: [C] Refrigerator Evaporator Assemblies start on page 18.

Freezer Evaporator Assemblies



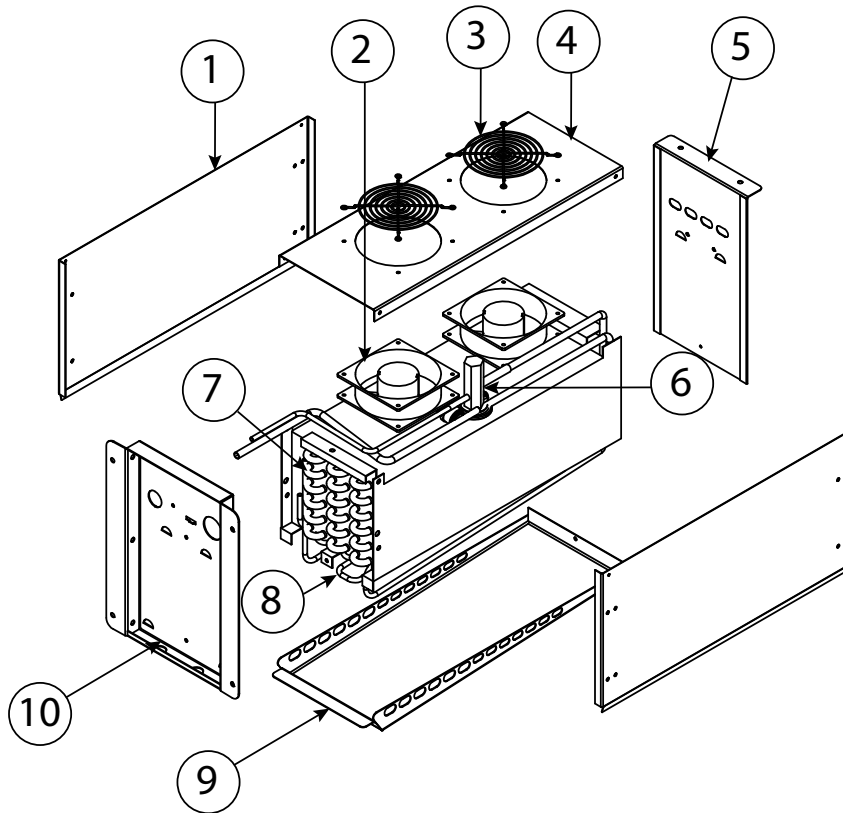
Freezer Evaporator Coil Assembly

Key	Description	R404A Part Number Built Before 3-30-17	R404A EC Part Number Built After 3-30-17
-	Coil Assembly, Evaporator, Freezer	000-249-0004-S	000-249-0030-S
1	Side, evaporator	030-262-0001-S	030-262-0001-S
2	Fan, axial	2160023	2160045
3	Guard, fan, 4.7", SC120	2160024	2160024
4	Top, freezer, evaporator	030-260-0001-S	030-260-0001-S
5	Front, enclosure	030-259-0000-S	030-259-0000-S
6	Thermal Expansion Valve, R404a	3516271	3516271
7	Pan, freezer evaporator	265-261-0001-S	265-261-0001-S
8	Coil, Evaporator	3516073	3516073
9	Back, evaporator	030-263-0001-S	030-263-0001-S
-	Harness, coil, freezer, male	2184318	2184318
-	Probe, Defrost, Thermostat	2194808	2194808
-	Probe, Temp, Sensor	2194809	2194809

220V Freezer Evaporator Coil Assembly

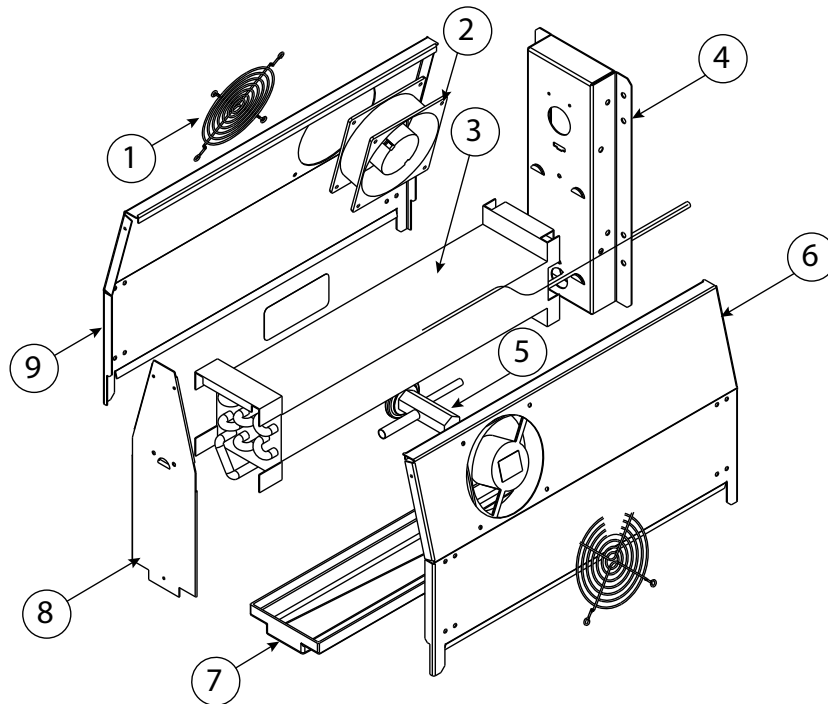
Key	Description	Part Number
-	Coil Assembly, Evaporator, Freezer	000-249-0005-S
1	Side, evaporator	030-262-0001-S
2	Fan, axial, 230V	2160025
3	Guard, fan, 4.7", SC120-W2	2160024
4	Top, freezer, evaporator	030-260-0001-S
5	Front, enclosure	030-259-0000-S
6	Thermal Expansion Valve, R404a	MCP00140
7	Pan, freezer evaporator	265-261-0001-S
8	Coil, Evaporator	3516073
9	Back, evaporator	030-263-0001-S
-	Harness, coil, freezer, male	2184318
-	Probe, Defrost, Thermostat	2194808
-	Probe, Temp, Sensor	2194809

Remote Freezer Evaporator Coil Assembly



Key	Description	Part Number
-	Coil Assembly, Freezer Evaporator, Remote	000-249-0006-S
1	Side, evaporator	030-262-0001-S
2	Fan, axial	2160023
3	Guard, fan, 4.7", SC120-W2	2160024
4	Top, freezer, evaporator	030-260-0001-S
5	Front, enclosure	030-259-0000-S
6	Thermal Expansion Valve, R404a	3516271
7	Coil, Evaporator	3516073
8	Heater, Defrost	2194034
9	Pan, freezer evaporator	265-261-0001-S
10	Back, evaporator	030-263-0001-S
-	Control, Limit, Fan Delay/Defrost	2194046
-	Fuse, Defrost Heater, 7 Amp	2194631

Refrigerator Evaporator Assemblies

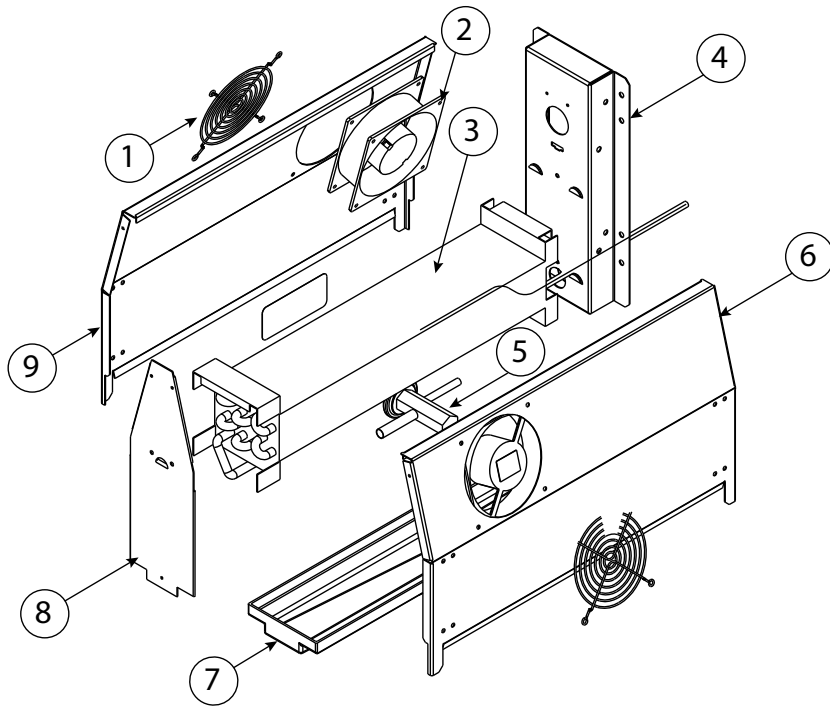


115V R404A Refrigerator Evaporator Coil Assembly

Key	Description	R404A Part Number Built Before 3-30-17
-	Coil Assembly, Ref	000-248-0030-S
1	Guard, fan, 4.7"	2160024
2	Fan, axial	2160023
3	Coil, evaporator	3516095
4	Back, evaporator, enclosure	030-232-0003-S
5	Expansion valve, 1/4	3516273
6	Side, coil, angled, Right	030-233-0001-S
7	Drip pan, evaporator	075-231-0033-S
8	Front, coil	030-234-0003-S
9	Side, coil, angled, Left	030-233-0002-S
-	Harness, coil	2184317
-	Probe, Defrost, Thermostat	2194808
-	Probe, Temp, Sensor	2194809

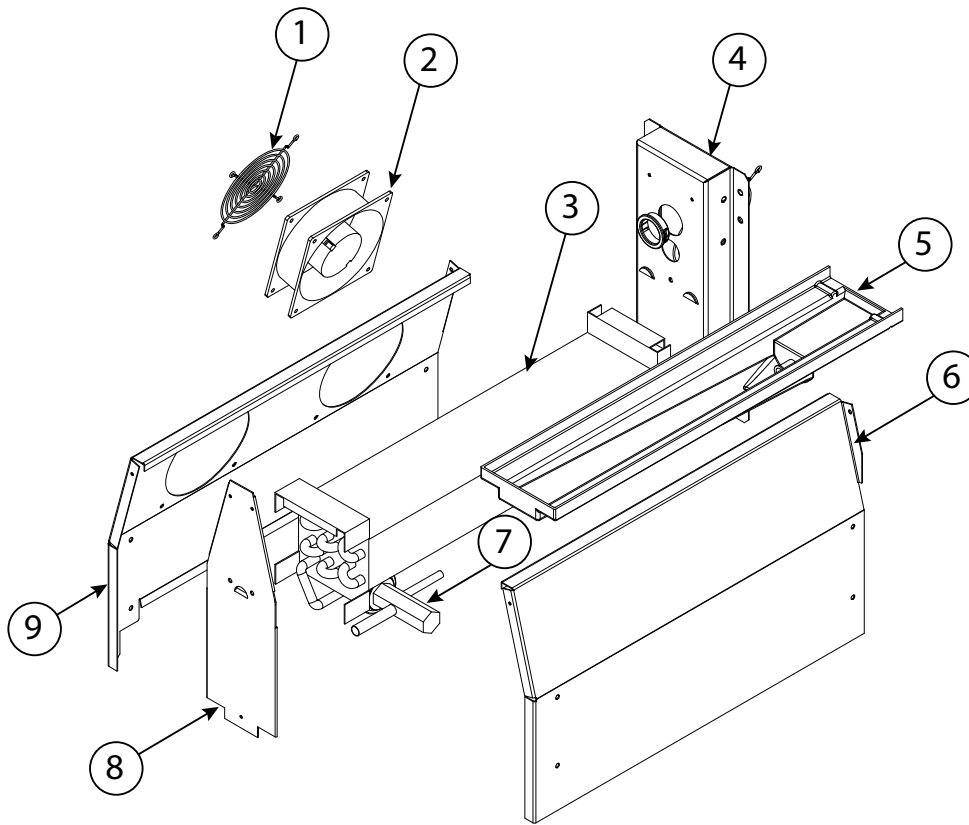
220V R404A Refrigerator Evaporator Coil Assembly

Key	Description	Part Number
-	Coil Assembly, R404A, Ref	000-248-0033-S
1	Guard, fan, 4.7"	2160024
2	Fan, axial, 230V	2160025
3	Coil, evaporator	3516095
4	Back, evaporator, enclosure	030-232-0003-S
5	Expansion valve, 1/4, R-404a	MCP00140
6	Side, coil, angled, Rt	030-233-0001-S
7	Drip pan, evaporator	000-BNH-0030-S
8	Front, coil	030-234-0003-S
9	Side, coil, angled, Lt	030-233-0002-S
-	Harness, coil	2184317
-	Probe, Defrost, Thermostat	2194808
-	Probe, Temp, Sensor	2194809



R290 Refrigerator Evaporator Coil Assembly

Key	Description	R290 Part Number Built After 3-30-17	R290 Part Number Built After 3-30-17	R290 Part Number Built After 3-30-17	R290 Part Number Built after 12-1-17
-	Coil Assembly, Ref	000-248-003i-S	000-248-003T-S	000-248-003X-S	000-248-004D-S
1	Guard, fan, 4.7"	2160024	2160024	2160024	2160024
2	Fan, axial	2160045	2160023	2160023	2160023
3	Coil, evaporator	3516095	3510005	3510005	3510005
4	Back, evaporator, enclosure	030-232-0003-S	030-232-0003-S	030-232-0003-S	030-232-0003-S
5	Expansion valve, 1/4	3516273	3517414	3517414	3517414
6	Side, coil, angled, Right	030-233-0001-S	030-233-0001-S	030-233-0001-S	030-233-0001-S
7	Drip pan, evaporator	000-BNH-0030-S	000-BNH-0030-S	000-BNH-0030-S	000-BNH-0030-S
8	Front, coil	030-234-0003-S	030-234-0003-S	030-234-0003-S	030-234-0003-S
9	Side, coil, angled, Left	030-233-0002-S	030-233-0002-S	030-233-0002-S	030-233-0002-S
-	Harness, coil	2184317	2184317	2184317	2184317
-	Probe, Defrost, Thermostat	2194808	2194808	NA	2194833
-	Probe, Temp, Sensor	2194809	2194809	NA	NA



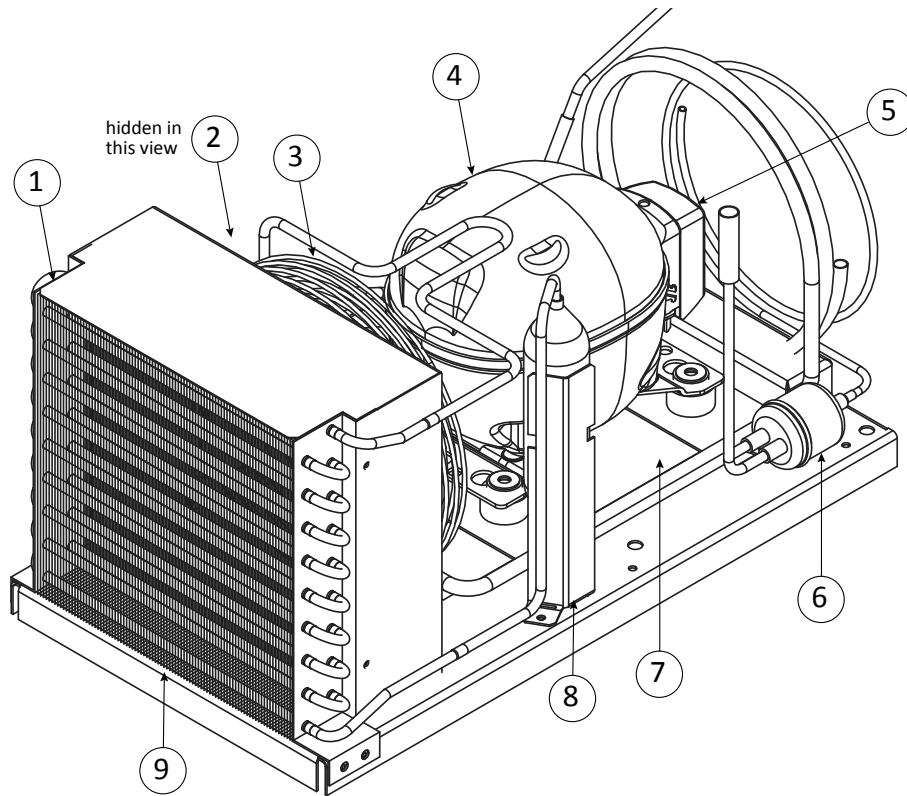
Fans Left Refrigerator Evaporator Coil Assembly

Key	Description	R404A Part Number Built Before 3-30-17	R404A EC Part Number Built After 3-30-17	R290 Part Number Built After 3-30-17
-	Coil Assembly, Ref, Fan Lt	000-248-0037-S	000-248-003L-S	000-248-003Z-S
1	Guard, fan, 4.7"	2160024	2160024	2160024
2	Fan, axial	2160023	2160045	2160023
3	Coil, evaporator	3516095	3516095	3510005
4	Back, evaporator, enclosure	030-232-0003-S	030-232-0003-S	030-232-0003-S
5	Drip pan, evaporator	000-BNH-0030-S	000-BNH-0030-S	000-BNH-0030-S
6	Side, coil, angled, Rt, Blank	030-233-0038-S	030-233-0038-S	030-233-0038-S
7	Expansion valve, 1/4	3516273	3516273	3517414
8	Front, coil	030-234-0003-S	030-234-0003-S	030-234-0003-S
9	Side, Coil, Angled, Lt, 2Fan	030-233-0039-S	030-233-0039-S	030-233-0039-S
-	Harness, coil	2184317	2184317	2184317
-	Probe, Defrost, Thermostat	2194808	2194808	2194808
-	Probe, Temp, Sensor	2194809	2194809	2194809

220V R404A Fans Left Evaporator Coil Assembly, Refrigerator

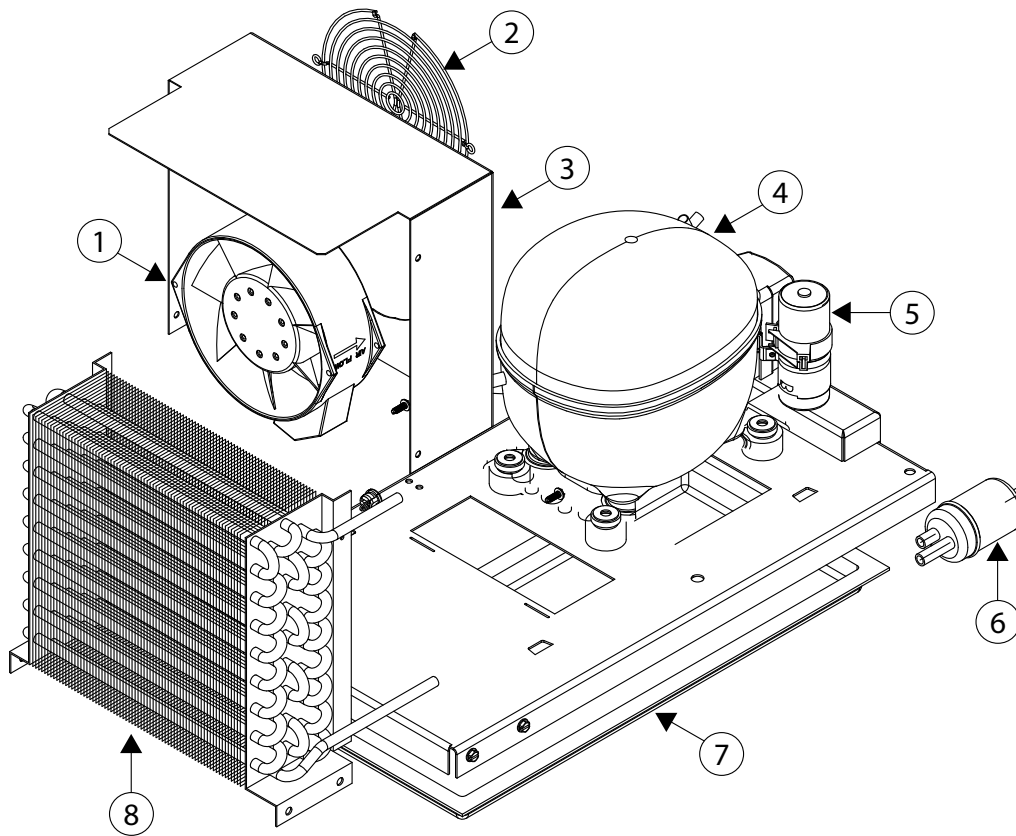
Key	Description	Part Number
-	Coil Assembly, R404A, 220V, Ref, Fan Lt	000-248-003D-S
1	Guard, fan, 4.7"	2160024
2	Fan, axial, 230V	2160025
3	Coil, evaporator	3516095
4	Back, evaporator, enclosure	030-232-0003-S
5	Drip pan, evaporator	000-BNH-0030-S
6	Side, coil, angled, Rt, Blank	030-233-0038-S
7	Expansion valve, 1/4, R-404a	MCP00140
8	Front, coil	030-234-0003-S
9	Side, Coil, Angled, Lt, 2Fan	030-233-0039-S
-	Harness, coil	2184317
-	Probe, Defrost, Thermostat	2194808
-	Probe, Temp, Sensor	2194809

1/5HP R290 Condensing Unit Assembly



Key	Description	Part Number
-	1/5 Condensing Unit Assembly, R290	000-BN5-007U-S
1	Shroud, Condenser Coil	026-C58-003B-S
2	Motor, Fan, 9W, 115V, Unit Bearing Blade, Fan, 7.25" Dia, 37Deg, CW	2162717 3516480
3	Guard, Fan, 7.25"	2160020
4	Compressor, R290, Danfoss, DLE4.0CN	3527162
5	Start Capacitor	3520010
	Compressor, Relay	3520009
6	Filter Dryer, (2) Inlet	3516478
7	Condensate Pan	039-231-0030-S
8	Receiver Tank, R290	3510004
9	Condenser Coil, 1/5HP, R290	3510002

1/5HP R404A Condensing Unit Assemblies



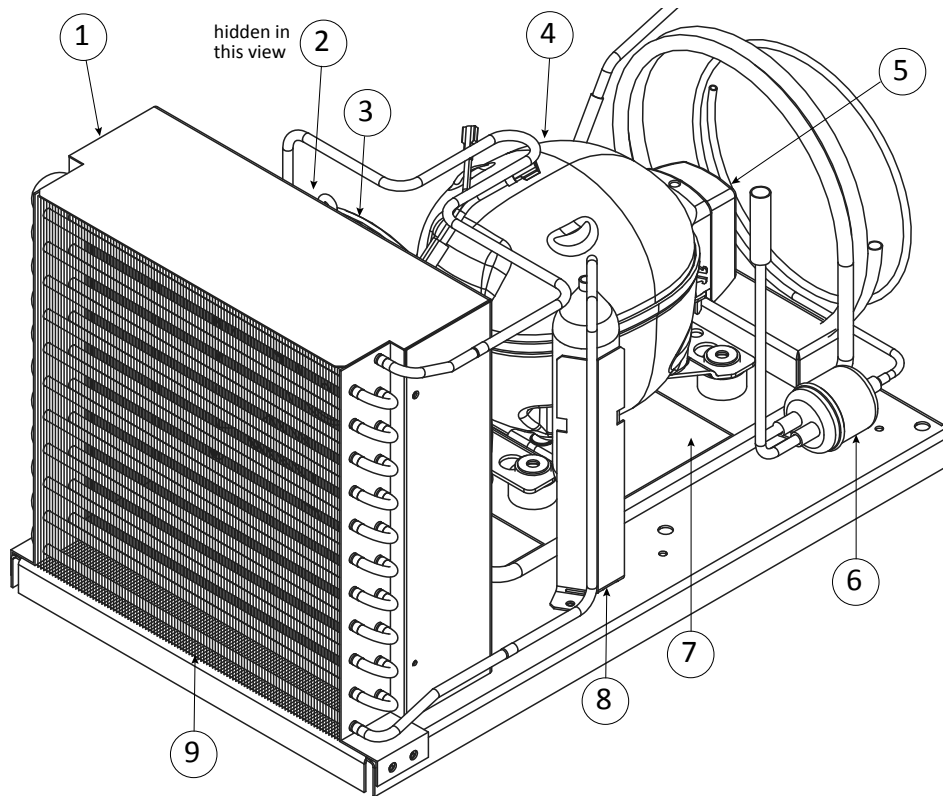
1/5HP R404A Condensing Unit Assembly

Key	Description	Part Number
-	Assembly, 1/5 Condensing Unit	000-BN5-0031-S
1	Fan, Axial, 5.5", 120V	2160028
2	Guard, Fan, 6.0"	2160030
3	Shroud, Condenser Coil	026-C58-0037-S
4	Compressor, Danfoss, TF4CLS	3526997
5	Start Capacitor	2194787
	Comp, Relay, Danfoss	3516446
6	Filter Dryer	3516322
7	Condensate Pan	075-231-0030-S
8	Condenser Coil	3516454

220V/50Hz 1/5HP R404A Condensing Unit Assembly

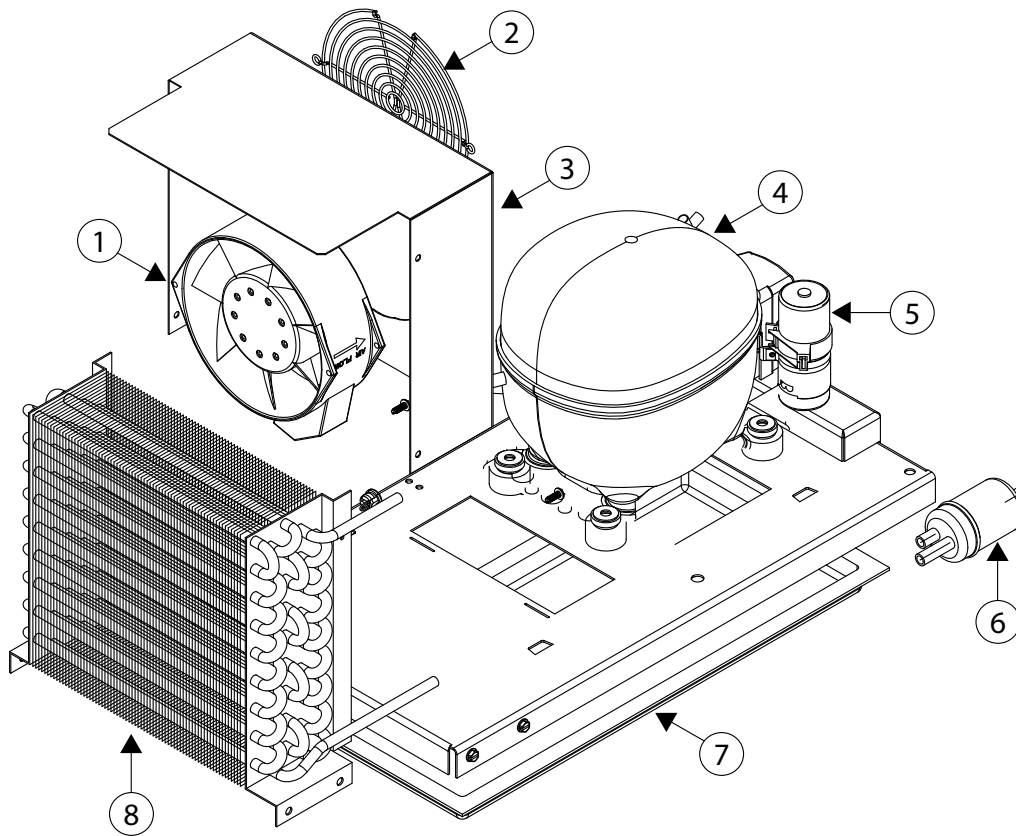
Key	Description	Part Number
-	Assembly, 1/5 Condensing Unit	000-BN5-0031-S
1	Fan, Axial, 5.5", 230V	2160029
2	Guard, Fan, 6.0"	2160030
3	Shroud, Condenser Coil	026-C58-0037-S
4	Compressor, 1/5HP, 220/50, TL4CL	3526994
5	Start Capacitor	3516451
	Comp, Relay, Danfoss	3516452
6	Filter Dryer	3516322
7	Condensate Pan	039-231-0030-S
8	Condenser Coil	3516454

1/4HP R290 Condensing Unit Assemblies



Key	Description	Part Number	Part Number Double HookUp
-	Condensing Unit Assembly, 1/4HP, R290	000-BN5-007V-S	000-BN5-007W-S
1	Shroud	026-C58-003C-S	026-C58-003D-S
2	Blade, CW	3516480 (7.25")	3516433 (10")
	Motor, Fan, 115V, Unit Bearing	2162717 (9W)	2162716 (16W)
3	Guard, Fan	2160020 (7.25")	2160019
4	Compressor, R290, Danfoss, DLE5.7CN	3527163	3527163
5	Capacitor, Start, 320MFD	3520010	3520010
	Compressor, Relay, Overload, NF7CLX	3520011	3520011
6	Drier, Filter, (2)Inlet	3516478	3516478
7	Pan, Condensate, SM	039-231-0030-S	039-231-0030-S
8	Receiver Tank, R290	3510004	3510004
9	Coil, Condenser, R290	3510003	3510003

1/4HP R404A Condensing Unit Assemblies



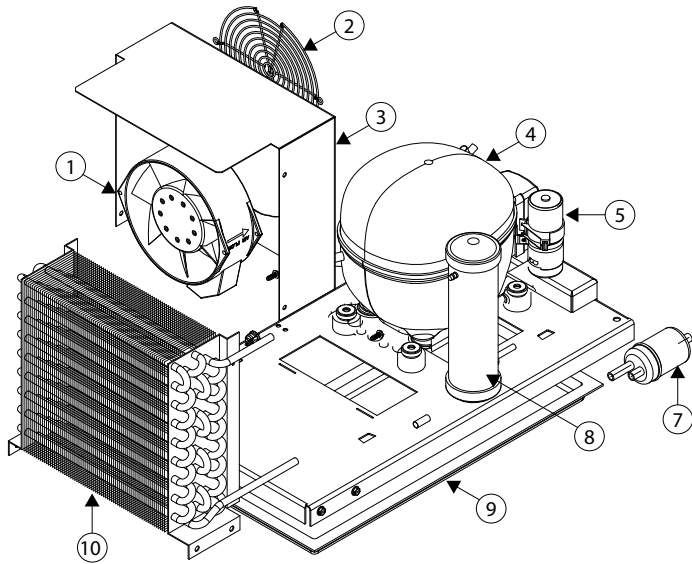
1/4HP R404A Condensing Unit Assembly

Key	Description	Part Number Built Before 3-30-17	Part Number Built After 3-30-17
-	Assembly, 1/4 HP Condensing Unit	000-BN5-0030-S	000-BN5-0060-S
1	Fan	2160028	3516480 Blade 2162757 Motor
2	Guard, Fan	2160030	2160020
3	Shroud, Condenser Coil	026-C58-0037-S	026-C58-0030-S
4	Compressor, Danfoss, NF5.5CLX	3526999	3526999
5	Start Capacitor	2194787	2194787
	Comp, Relay, Overload, NF5.5CLX	3516444	3516444
6	Filter Dryer	3516322	3516322
7	Condensate Pan	039-231-0030-S	039-231-0030-S
8	Condenser Coil	3516454	3516454

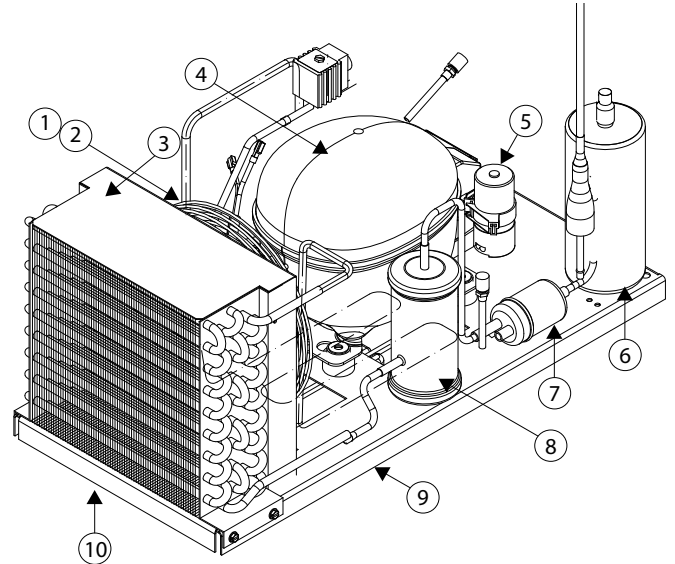
220V/50Hz 1/4HP R404A Condensing Unit Assembly

Key	Description	Part Number
-	Assembly, 1/4 HP Condensing Unit	000-BN5-003J-S
1	Fan, Axial, 5.5", 230V	2160029
2	Guard, Fan, 6.0"	2160030
3	Shroud, Condenser Coil	026-C58-0037-S
4	Compressor, NL7CLX, 220V/50Hz	3527013
5	Start Capacitor	2194821
	Comp, Relay, Overload, NF5.5CLX	2194820
6	Filter Dryer	3516322
7	Condensate Pan	039-231-0030-S
8	Condenser Coil	3516454

1/3HP R404A Condensing Unit Assemblies



000-BN5-0037-S



000-BN5-006U-S

1/3HP R404A Condensing Unit Assembly

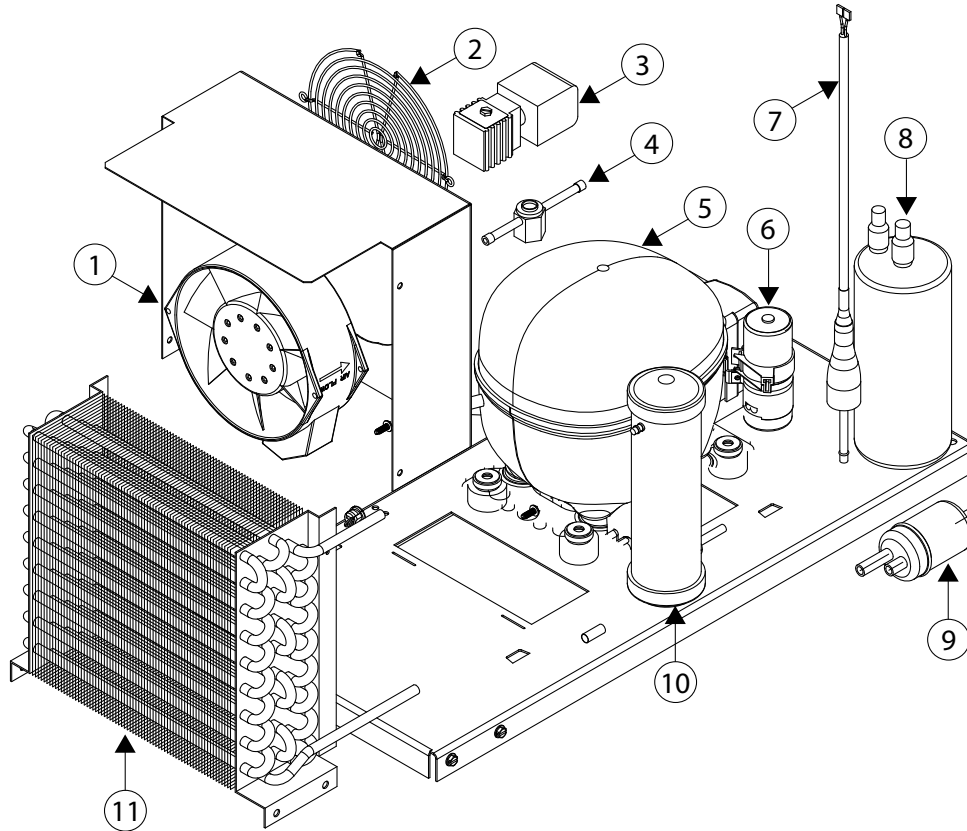
Key	Description	Part Number Built Before 3-30-17	Part Number Built After 3-30-17
-	Assembly, 1/3 Condensing Unit	000-BN5-0037-S	000-BN5-006U-S
1	Fan	2160028	3516480 Blade 2162714 Motor
2	Guard, Fan	2160030	2160020
3	Shroud, Condenser Coil	026-C58-0037-S	026-C58-0030-S
4	Compressor, Danfoss, NF7CLS	3527000	3527000
5	Start Capacitor	2194788	2194788
	Relay, overload, compressor	3516438	3516438
	Accumulator	NA	3516397
6	Filter Drier	3516322	3516322
7	Receiver tank	3516658*	3516658
8	Pan, Condensate	039-231-0030-S	039-231-0030-S
9	Condenser Coil	3516454	3516454

NOTE: * Re-piping may be required.

220V/50HZ 1/3HP R404A Condensing Unit Assembly

Key	Description	Part Number
-	Assembly, 1/3 Condensing Unit	000-BN5-003M-S
1	Fan, Axial, 5.5", 230V	2160029
2	Guard, Fan, 6.0"	2160030
3	Shroud, Condenser Coil	026-C58-0037-S
4	Compress, NL8.4CLX, 220V, 50Hz	3527012
6	Filter Drier	3516322
7	Receiver tank, Installation note: Re-piping may be required	3516658
8	Pan, Condensate	039-231-0030-S
9	Condenser Coil	3516454
-	Hi Pressure Cutout	3516324

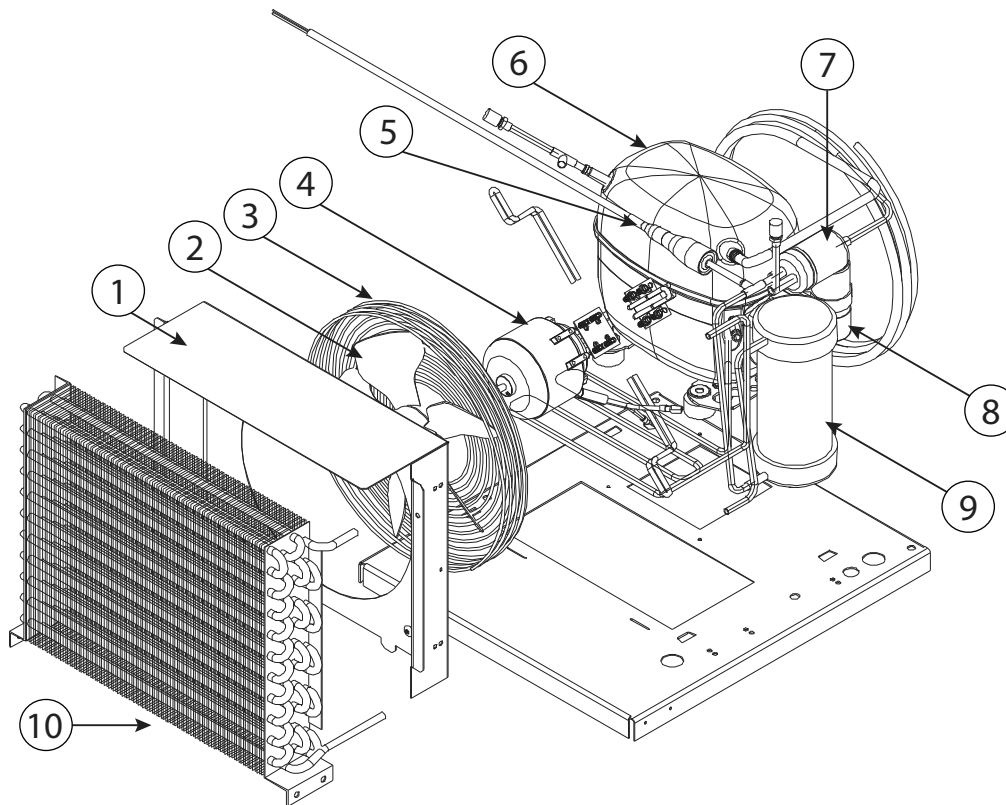
1/3HP R404A Condensing Unit Assembly With Accumulator



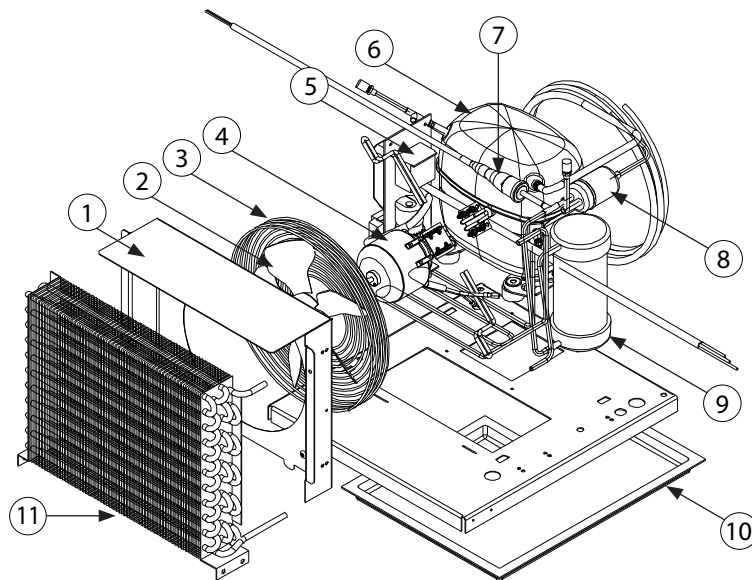
Key	Description	Part Number
-	Assembly, 1/3HP Cond, w/rec, hg	000-BN5-0053-S
1	Fan, Axial, 5.5", 120V	2160028
2	Guard, Fan, 6.0"	2160030
3	Solenoid Coil, 120V	3516053
4	Solenoid Valve, 1/4ODF	3516102
5	Compressor, NF7.0,115/60HZ, Danfoss	3527000
6	Relay, Comp, ovld	3516438
	Capacitor, Start, 320MFD	2194788
7	High Pressure Assembly, 8Amp	000-998-0030-S
8	Accumulator	3516397
9	Filter Drier, (2)Inlet	3516322
10	Receiver, Installation note: Re-piping may be required	3516658
11	Coil, Condenser	3516454

1/2HP R404A Condensing Unit Assemblies

1/2HP R404A Low Temp Condensing Unit Assembly



Key	Description	Part Number Built Before 3-30-17	Part Number Built After 3-30-17
-	Assembly, 1/2HP Condenser, Low, Hot gas	000-BN5-0054-S	000-BN5-0078-S
1	Shroud, 1/2 HP Condenser Coil	026-C58-0031-S	026-C58-0031-S
2	Blade, Fan, 9.00"	3516554	3516554
3	Guard, Fan, Wire	2160019	2160019
4	Motor, Fan, 16W	2162716	2160003
5	Cutout, High Pressure	3516324	3516324
6	Compressor, SC12CLX.2,115/60HZ	3527001	3527001
7	Drier, Filter, (2)Inlet	3516322	3516322
8	Capacitor, Start, 240MFD	2194789	2194789
8	Relay, Comp, SC12CLX.2	3516441	3516441
9	Receiver Tank	3516659	3516659
10	Coil, Condenser, 1/2 HP	3516455	3516455
-	Pan, Condensate, Large	039-231-0031-S	024-034-0031-S



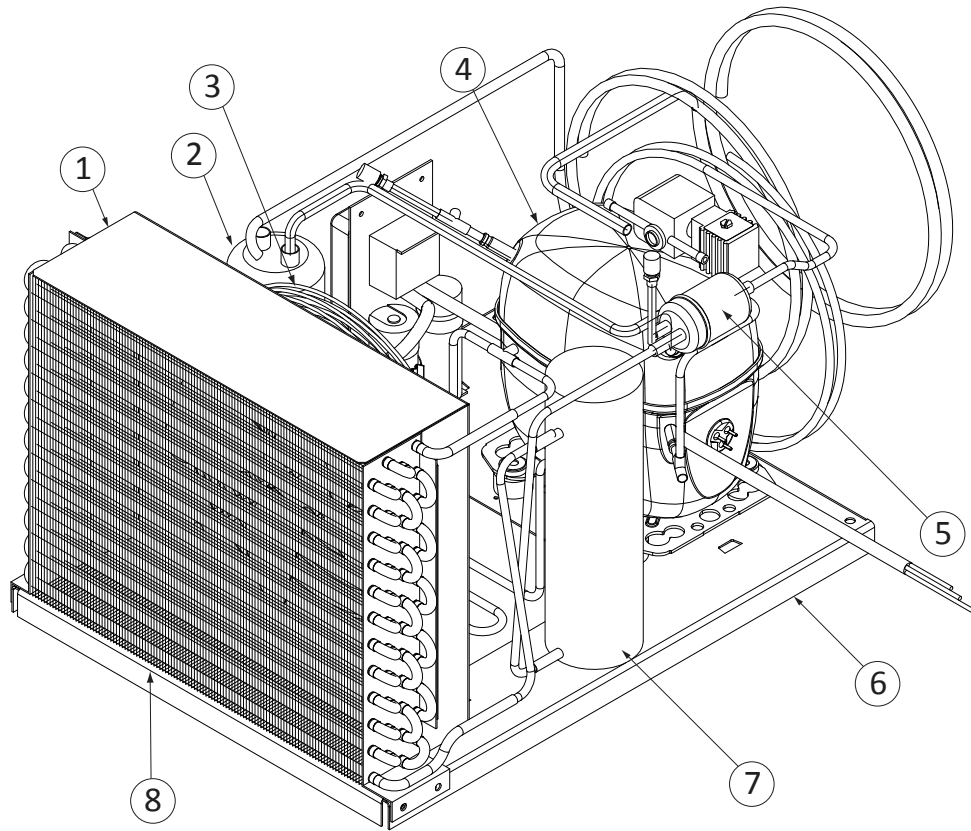
1/2HP R404A Mid Temp Condensing Unit Assembly

Key	Description	Part Number
-	Assembly, 1/2HP Condenser, Med	000-BN5-0035-S
1	Shroud	026-C58-0031-S
2	Condenser fan blade	3516554
3	Condenser fan guard	2160019
4	Condenser fan motor, 115V	2162716
5	Capacitor, start-run assy	3516462
6	Compressor, Danfoss, SC12MLX	3527026
7	Hi pressure switch	3516331
8	Filter Drier	3516322
9	Receiver	3516659
10	Pan, Condensate	075-231-0031-S
11	Condenser coil	3516455

220V/50Hz 1/2HP R404A Mid Temp Condensing Unit Assembly

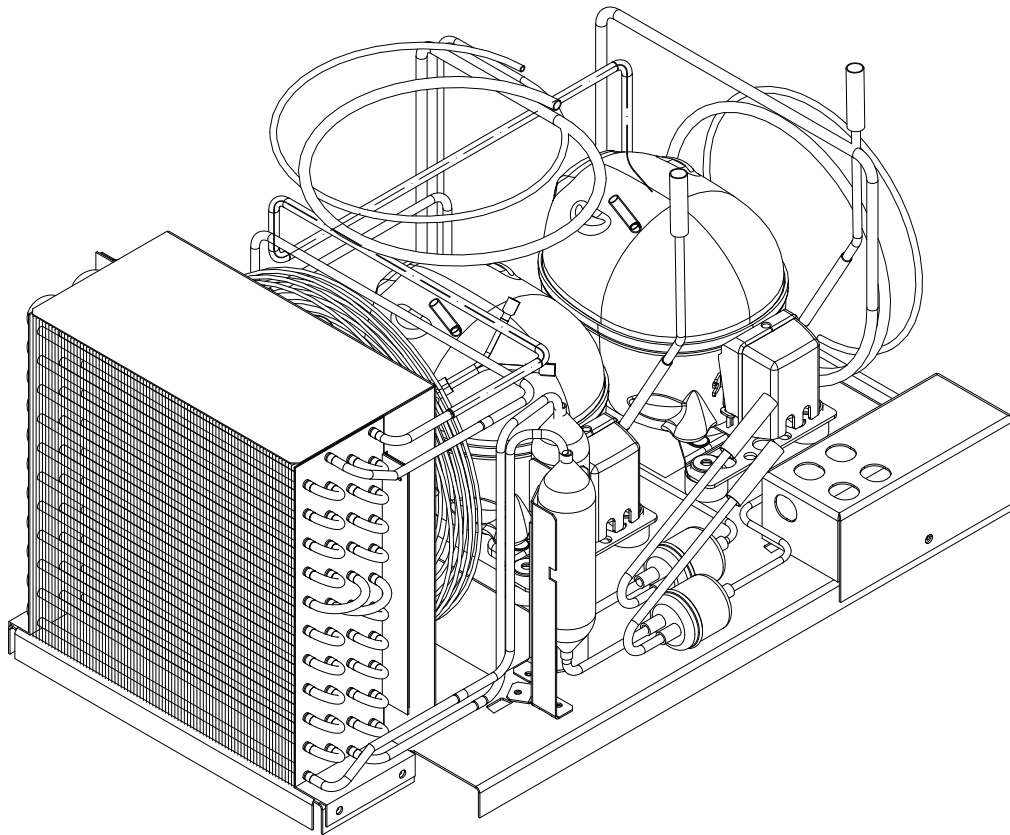
Key	Description	Part Number
-	Assembly, 1/2HP Condenser, Med	000-BN5-0030-S
1	Shroud	026-C58-0031-S
2	Condenser fan blade	3516554
3	Condenser fan guard	2160019
4	Condenser fan motor, 230V	2162721
6	Compressor, SC12MLX, 220/50	3527045
7	Hi pressure switch	3516331
8	Filter Drier	3516322
9	Receiver	3516659
10	Pan, Condensate	039-231-0031-S
11	Condenser coil	3516455

3/4HP R404A Condensing Unit Assemblies



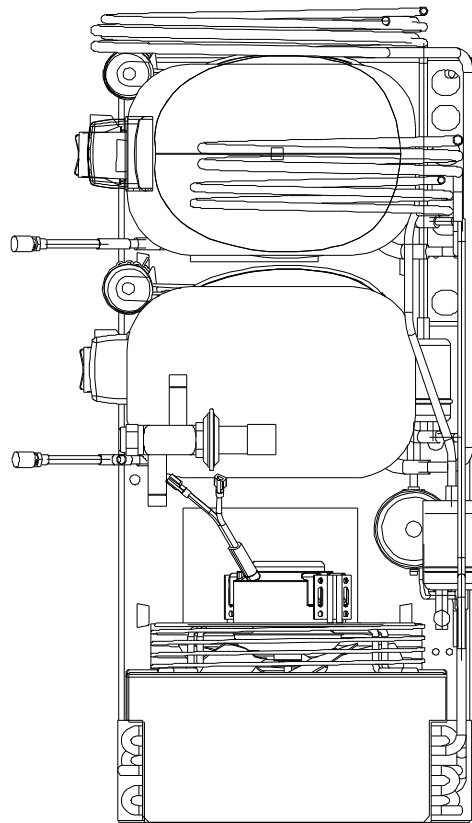
Key	Description	Part Number Built Before 3-30-17	Part Number Built After 3-30-17
-	Assembly, 3/4 HP Condenser, Low, Hot gas	000-BN5-0055-S	000-BN5-007E-S
1	Shroud	026-C58-0032-S	026-C58-0032-S
2	Accumulator	3516397	3516397
3	Guard, fan condenser	2160019	2160019
	Motor, condenser fan 16W	2162716	2160003
	Blade, fan 10" CW	3516433	3516433
4	Compressor, SC18CLS.2, 115V60hz	3527002	3527002
	Capacitor, start, run assembly	3516442	3516468
5	Filter drier	3516322	3516322
6	Pan, Condensate	039-231-0031-S	039-231-0031-S
7	Receiver Tank	3516657	3516657
8	Coil, condenser, 3/4hp	3516456	3516458
-	Harness, Power	2195184	2195184

1/5-1/5 Stacked R290 Condensing Unit Assembly



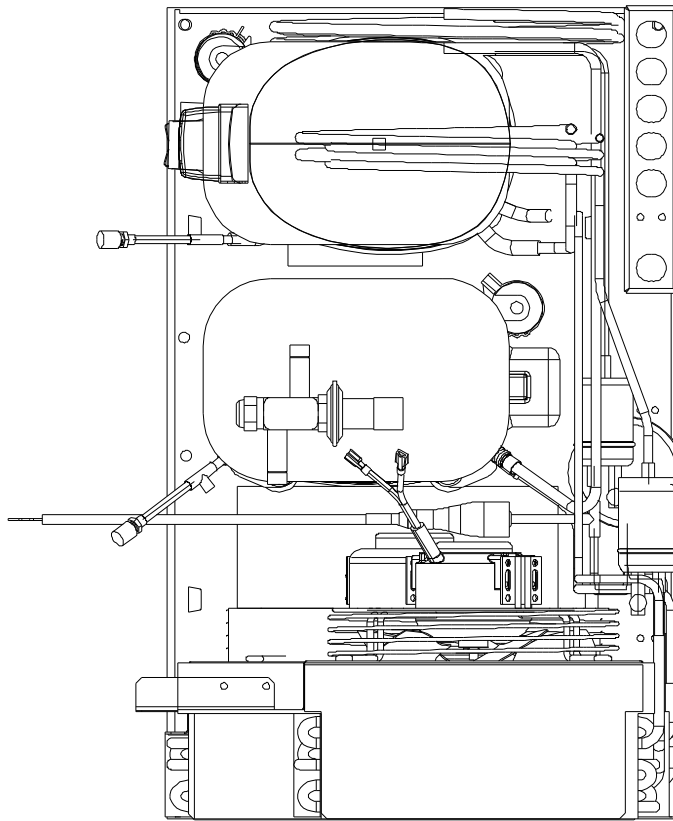
Description	Part Number
Assembly, Dual, 1/5, R290, Split System	000-BN5-007Y-S
Blade, Fan, 25Deg. 10", CW, Upright	3516433
Coil, Condenser, R290, Dual Circuit	3510007
Compressor, R290, Danfoss, DLE4.0CN	3527162
Drier, filter, (2)inlet	3516478
Guard, Fan	2160019
Harness, Main & Compressor	2195118
Motor, fan, 16w,115v, Unit Bearing	2162716
Pan, Condensate	039-231-0031-S
Receiver Tank	3510004
Relay, Compressor	3520009
Shroud, Dual Circuit	026-C58-003A-S
Start Capacitor	3520010

1/3-1/5 Stacked R404A Condensing Unit Assemblies



Description	Part Number Built Before 3-30-17	Part Number Built After 3-30-17
Assembly, 1/3-1/5 Stacked,	000-BN5-0040-S	000-BN5-007K-S
Blade, Fan, 7.25 Diameter	3516457	3516480
Capacitor, start, 280mfd	2194787	2194787
Capacitor, start, 320mfd	2194788	2194788
Coil, Condenser, 1/5, 1/4	3516454	3516454
Compressor, 1/5hp, 115/60, r404a	3526997	3526997
Compressor, nf7cls, 115v/60hz	3527000	3527000
Drier, filter, (2)inlet	3516322	3516322
Guard, Fan, 7.25	2160020	2160020
Motor, fan, 9w,115v,cw	2162717	2162757
Regulator, pressure, 1/2	3516193	3516193
Relay, Comp, Danfoss	3516446	3516446
Relay, comp, overload, nf7clx	3516438	3516438
Valve, exp, freezer, 1/4ton	3516225	3516225

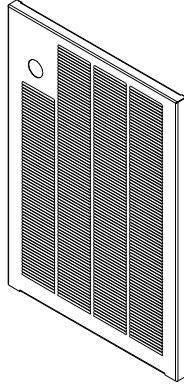
1/2-1/5 Stacked R404A Condensing Unit Assemblies



Description	Part Number Built Before 3-30-17	Part Number Built After 3-30-17
Assembly, 1/2-1/5 Stacked,	000-BN5-003Y-S	000-BN5-007i-S
Blade, Fan, 7.25 Diameter	3516457	3516480
Blade, fan, 25deg, 10", cw	3516433	3516433
Capacitor, start, 240mfd	2194789	2194789
Capacitor, start, 280mfd	2194787	2194787
Coil, Condenser, 1/5, 1/4,	3516454	3516454
Coil, Condenser, 1/2 Hp	3516455	3516455
Compressor, 1/5hp, 115/60, r404a	3526997	3526997
Compressor, sc12clx.2, 115/60hz,	3527001	3527001
Drier, filter, (2)inlet	3516322	3516322
Guard, Fan, 7.25	2160020	2160020
Guard, fan, wire	2160019	2160019
Motor, fan, 9w, 115v, cw	2162717	2162757
Motor, fan	2162513	2162750
Regulator, pressure, 1/2	3516193	3516193
Relay, Compressor, Danfoss	3516446	3516446
Relay, compressor, sc12clx.2	3516441	3516441
Thermal Expansion Valve, freezer, 1/4ton	3516225	3516225

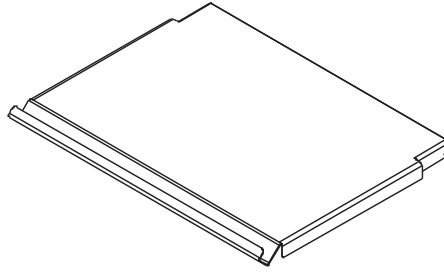
Part Prints

Louvered Panels



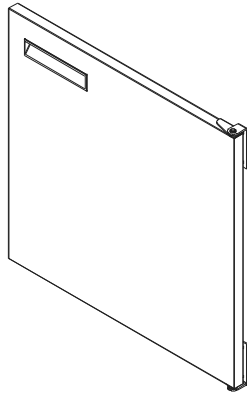
Panel, louver, 14.0, sw Cut,lh	356-478-0038-S
Panel, louver, 18.0, sw Cut, lh	356-478-0039-S
Panel, louver, 14" PD	356-478-004Y-S
Panel, louver, 18", PD	356-478-004Z-S

Hinged Cover Assemblies



Cover Assembly, hinged, 6 Pan, ptl	000-402-0054-S
Cover Assembly, hinged, 6pan, l/t	000-402-0056-S
Pin, hinge, salad Pan	9321374
Hinge, pan Cover, end, rh,	3234266
Hinge, pan Cover, end, lh,	3234282
Hinge, pan Cover,	3234392

Door Assemblies



Door Assembly, ref, 27x26, lt	000-187-006B-S
Door Assembly, ref, 27x26, rt	000-187-006A-S
Gasket, door, 27, mark7	1701185
Hinge Kit	420067

**WELBILT®**
*Bringing innovation to the table***WWW.WELBILT.COM**

Welbilt provides the world's top chefs, and premier chain operators or growing independents with industry leading equipment and solutions. Our cutting-edge designs and lean manufacturing tactics are powered by deep knowledge, operator insights, and culinary expertise. All of our products are backed by KitchenCare® – our aftermarket, repair, and parts service.

- ▶ CLEVELAND
- ▶ CONVOTHERM®
- ▶ DELFIELD®
- ▶ FITKITCHEN™
- ▶ FRYMASTER®
- ▶ GARLAND
- ▶ KOLPAK®
- ▶ LINCOLN
- ▶ MANITOWOC®
- ▶ MERCO®
- ▶ MERRYCHEF®
- ▶ MULTIPLEX®