

Drop Ins

**N8000, N8000-R, N8100B, N8100-BR, 8100-EF,
N8100-FA, N8200, N8200-ST, N8200G, N8600,
N8700-D, N8700-DESP, N8700-R, N8800**

Parts List

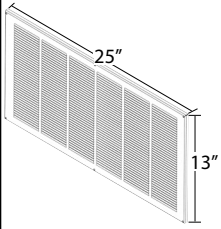
Contents

| | |
|--|----|
| Cap Tube Chart - R134A Refrigerant..... | 2 |
| 8000 Series - Miscellaneous Parts..... | 2 |
| N8700-DESP - Common Components..... | 2 |
| N8100-FA - Common Components..... | 3 |
| Condensing Unit Assembly, 115V, 1/5 HP, R134A Narrow..... | 4 |
| Condensing Unit Assembly, 115V, 1/5 HP, R404A Narrow..... | 4 |
| Condensing Unit Assembly, 230V, 1/5 HP, R404A, Narrow..... | 5 |
| Condensing Unit Assembly, 1/4 HP, R404a Low Temp..... | 6 |
| Condensing Unit Assembly, 1/4 & 1/3 HP, R134A Narrow..... | 7 |
| Condensing Unit Assembly, 1/4 & 1/3 HP, R404A Narrow..... | 8 |
| Condensing Unit Assembly, 1/3 HP, R404a Low Temp..... | 9 |
| Condensing Unit Assembly, 1/2 HP, R404a Low Temp..... | 10 |
| Condensing Unit Assembly, 1/2 HP, R404A Mid Temp..... | 11 |
| Condensing Unit Assembly, 3/4 HP, R404A..... | 12 |
| Food Well Assembly With Infinite Control..... | 13 |
| Food Well Assembly With Thermostat control..... | 14 |
| Food Well Assembly With Thermostat Control..... | 15 |

Cap Tube Chart - R134A Refrigerant

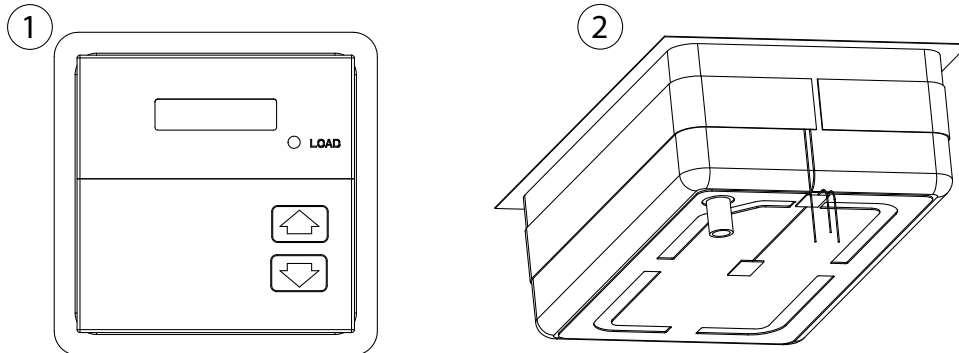
| Model Number | Cap Tube Size/Length |
|--------------|----------------------|
| N8118B | .036ID x 72" |
| N8130B | .036ID x 72" |
| N8143B | .036ID x 72" |
| N8144-BR | .036ID x 72" |
| N8146NB | .042ID x 120" |
| N8156B | .042ID x 120" |
| N8159-BR | .036ID x 72" |
| N8168NB | .042ID x 120" |
| N8169B | .042ID x 120" |
| N8176-BR | .042ID x 120" |
| N8181B | .054ID x 110" |
| N8194-BR | .042ID x 120" |

8000 Series - Miscellaneous Parts

| Description | Part Number | Drawing |
|--|--------------|--|
| Divider bar, 2.00" x 20.93" | 265-AXE-0000 | |
| Divider bar, 13.00" x .90" | 243-ALS-0032 | |
| Divider bar, 21.00" x .90" | 243-AB0-0001 | |
| Line Filter, Cold Units | 2190168 | |
| Line Filter, Heated Units | 2195068 | |
| Plastic drain | 3234242 | |
| Trim gasket (sold by foot) | 1701273 | |
| Louver (Cutout dimension is 11" x 22" (28cm x 56cm)) | 359-411-0003 |  |

N8700-DESP - Common Components

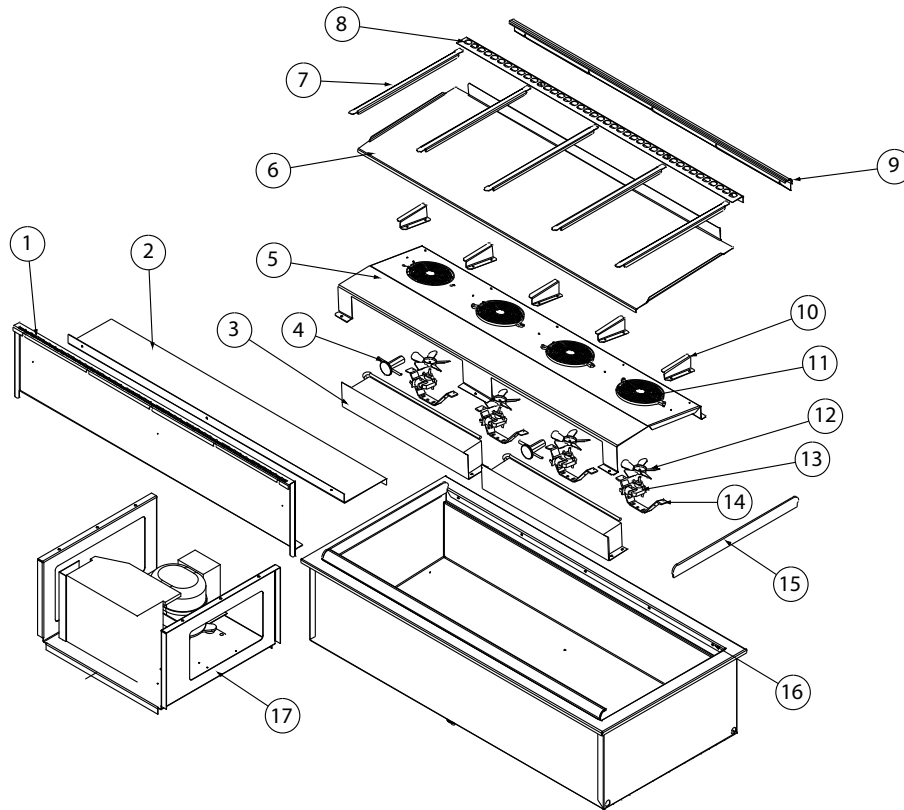
Common and 220V parts used in export series N8700-DESP-E.



| Key | Description | Part Number | Note |
|-----|---|-------------|------|
| 1 | Control, 500W Food Well | 2195319 | |
| 2 | Food Well/Heatpad, 208V-500W | 3234798 | [A] |
| 2 | Food Well/Heatpad, 240V-500W | 3234950 | [A] |
| | Food Well/Heatpad, 208V-500W, Without Drain | 3234951 | [A] |

NOTE: [A] When replacing the well not to apply pressure directly to the pad.

N8100-FA - Common Components

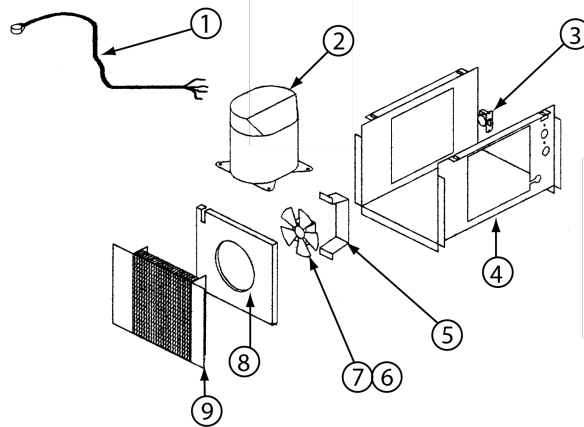


| Key | Description | Part Number Per Model | | | | |
|-----|------------------------------|-----------------------|-------------------|-------------------|-------------------|-------------------|
| | | N8131-FA 2-PAN | N8144-FA 3-PAN | N8157-FA 4-PAN | N8169-FA 5-PAN | N8182-FA 6-PAN |
| 1 | Upright diffuser | 226-0V3-0030 | 226-0V3-0031 | 226-0V3-0032 | 226-0V3-0033 | 226-0V3-0034 |
| 2 | Air deflector | 226-A9L-0030 | 226-A9L-0031 | 226-A9L-0032 | 226-A9L-0033 | 226-A9L-0034 |
| 3 | Coil | 3510086 | 3510086 | 3510086 | 3510086 | 3510086 |
| 4 | Expansion valve | 3516273 | 3516273 | 3516273 | 3516273 | 3516273 |
| 5 | Coil assembly cover | 019-0V0-0030 | 019-0V0-0038 | 019-0V0-0032 | 019-0V0-0033 | 019-0V0-0034 |
| 6 | Fan assembly cover | 226-0V1-0030 | 226-0V1-0031 | 226-0V1-0032 | 226-0V1-0033 | 226-0V1-0034 |
| 7 | Adapter bar | 243-AB0-0001 | 243-AB0-0001 | 243-AB0-0001 | 243-AB0-0001 | 243-AB0-0001 |
| 8 | Perforated pan clip | 270-0V5-0030 | 270-0V5-0031 | 270-0V5-0032 | 270-0V5-0033 | 270-0V5-0034 |
| 9 | Black airflow extrusion | 316-991-0030 | 316-991-0031 | 316-991-0032 | 316-991-0033 | 316-991-0034 |
| 10 | Cover support bracket | 226-0V2-0030 | 226-0V2-0030 | 226-0V2-0030 | 226-0V2-0030 | 226-0V2-0030 |
| 11 | Fan guard | 3516173 | 3516173 | 3516173 | 3516173 | 3516173 |
| 12 | Blade, fan, 5.56, CCW, clear | 3516172 | 3516172 | 3516172 | 3516172 | 3516172 |
| 13 | Fan motor | 2162691 | 2162691 | 2162691 | 2162691 | 2162691 |
| 14 | Fan bracket | 031-264-0000 | 031-264-0000 | 031-264-0000 | 031-264-0000 | 031-264-0000 |
| 15 | Plexiglas end cap | 091-0XL-0030 | 091-0XL-0030 | 091-0XL-0030 | 091-0XL-0030 | 091-0XL-0030 |
| 16 | S/S thumb screw | 9321541 | 9321541 | 9321541 | 9321541 | 9321541 |
| 17 | Cond. Unit | 000-BN5-006A | 000-BN5-0035 | 000-BN5-0035 | 000-BN5-0036 | 000-BN5-0036 |
| | Timer | 2194345 | 2194345 | 2194345 | 2194345 | 2194345 |
| | Pressure Control | 2193927 | 2193927 | 2193927 | 2193927 | 2193927 |
| | Rocker switch | 2190154 | 2190154 | 2190154 | 2190154 | 2190154 |

Condensing Unit Assembly, 115V, 1/5 HP, R134A Narrow

Used in production prior to 7-11-16.

Used in models N8118B, N8130B, N8143B, N8144-BR, N8146NB and N8168NB.

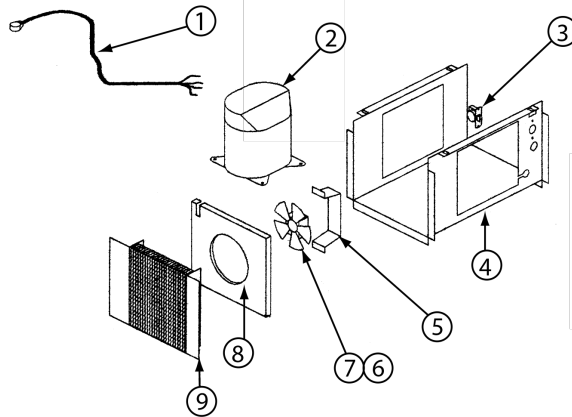


| Key | Description | Part Number |
|-----|---------------------------------------|--------------|
| 1 | Harness, wire, power cord, 8100 | 2183300 |
| 2 | Compressor, 1/5 h.p.,115v/60hz | 3526694 |
| 3 | Cold Control | 3516054 |
| 4 | Compressor stand | 024-ADB-0040 |
| 5 | Bracket, fan motor, blower coil | 031-264-0000 |
| 6 | Blade, fan, 5.56, CCW, clear | 3516172 |
| 7 | Motor, fan, 115v, 50/60, UPPCO/bay | 2162691 |
| 8 | Fan baffle | 026-ANM-0030 |
| 9 | Coil, condenser, 9 x 10, R-134a, 8100 | 3516067 |
| | Filter dryer, double 1/4"OD inlet | 3516230 |

Condensing Unit Assembly, 115V, 1/5 HP, R404A Narrow

Used in production after 7-11-16.

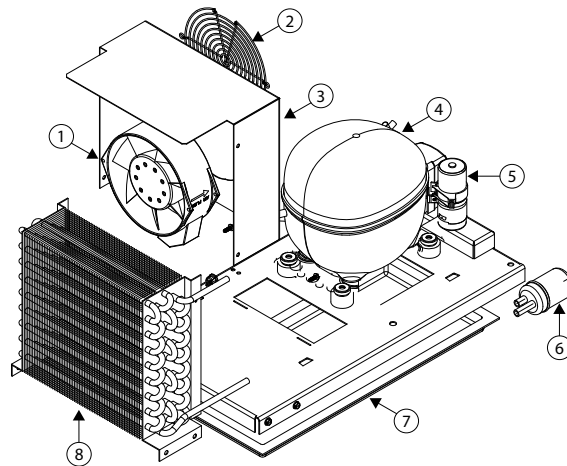
Used in models N8118B, N8130B, N8143B, N8144-BR and N8146NB.



| Key | Description | Part Number |
|-----|---------------------------------------|--------------|
| 1 | Harness, wire, power cord, 8100 | 2183300 |
| 2 | Compressor, R404A, 1/5 h.p.,115v/60hz | 3526996 |
| 3 | Cold Control | 3516054 |
| 4 | Compressor stand | 024-ADB-0046 |
| 5 | Bracket, fan motor, blower coil | 031-264-0000 |
| 6 | Blade, fan, 5.56, CCW, clear | 3516172 |
| 7 | Motor, fan, 115v, 50/60, UPPCO/bay | 2162691 |
| 8 | Fan baffle | 026-ANM-0030 |
| 9 | Coil, condenser, 9 x 10, R-134a, 8100 | 3516067 |
| | Filter dryer, double 1/4"OD inlet | 3516230 |

Condensing Unit Assembly, 230V, 1/5 HP, R404A, Narrow

Used in export models N8118B-E, N8130B-E, N8143B-E, N8146NB-E, N8168NB-E

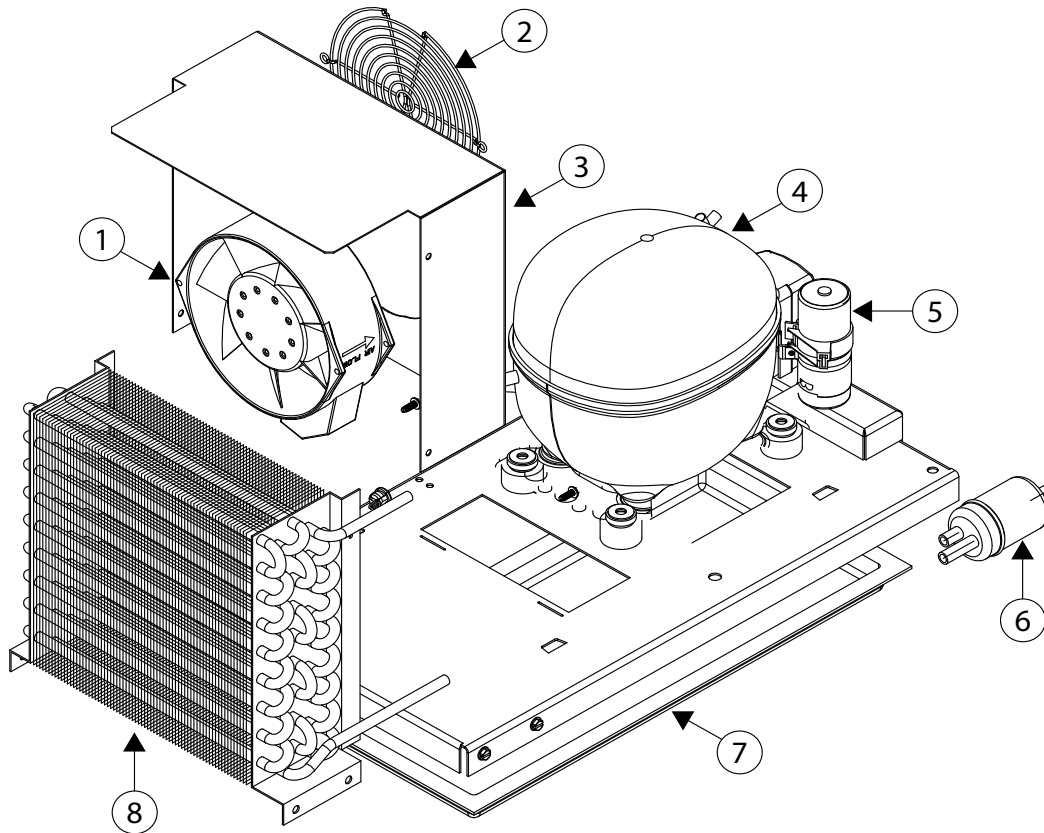


| Key | Description | Part Number |
|-----|----------------------------------|--------------|
| - | Assembly, 1/5 Condensing Unit | 000-BN5-003I |
| 1 | Fan, Axial, 5.5", 230V | 2160029 |
| 2 | Guard, Fan, 6.0" | 2160030 |
| 3 | Shroud, Condenser Coil | 026-C58-0037 |
| 4 | Compressor, 1/5HP, 220/50, TL4CL | 3526994 |
| 5 | Start Capacitor | 3516451 |
| | Compressor, Relay | 3516452 |
| 6 | Filter Dryer | 3516322 |
| 7 | Condensate Pan | 039-231-0030 |
| 8 | Condenser Coil | 3516454 |
| - | 15 Amp switch, 220V | 2194400 |

Condensing Unit Assembly, 1/4 HP, R404a Low Temp

Used in series 8100-EFN, series N8200-ST, models 8118-EF, 8132-EF, 8145-EF, 8159-EF, 8172-EF, models N8131-FA, N8231, N8231G, N8245, N8245G, N8259, N8273, N8630, N8643, N8656 and N8669.

Common and 220V parts used in export series 8100-EF-E, series 8100-EFN-E, models N8231-E, N8231G-E, N8245-E, N8245G-E, N8259-E and N8273-E.



| Key | Description | Part Number |
|-----|---|--------------|
| | Condensing Unit Assembly, 115V | 000-BN5-006A |
| | Condensing Unit Assembly, 220V/50Hz | 000-BN5-006D |
| 1 | Blade, Fan, 7.25 | 3516480 |
| | Motor, Fan, 9W, 115V, CW | 2162717 |
| | Motor, Fan, 9W, 220V, Unit Bearing | 2162720 |
| 2 | Guard, Fan, 7.25 | 2160020 |
| 3 | Shroud, Condenser Coil | 026-C58-0037 |
| 4 | Compressor, NF5.5CLX, 115V/60Hz | 3526999 |
| | Compressor 220/50Hz | 3527013 |
| 5 | Capacitor, Start 280MFD | 2194787 |
| | Compressor relay and overload, NF5.5CLX | 3516444 |
| 6 | Filter-dryer, (2) inlet .25" | 3516322 |
| 7 | Pan, condensate | 075-231-0030 |
| 8 | Condenser Coil | 3516454 |

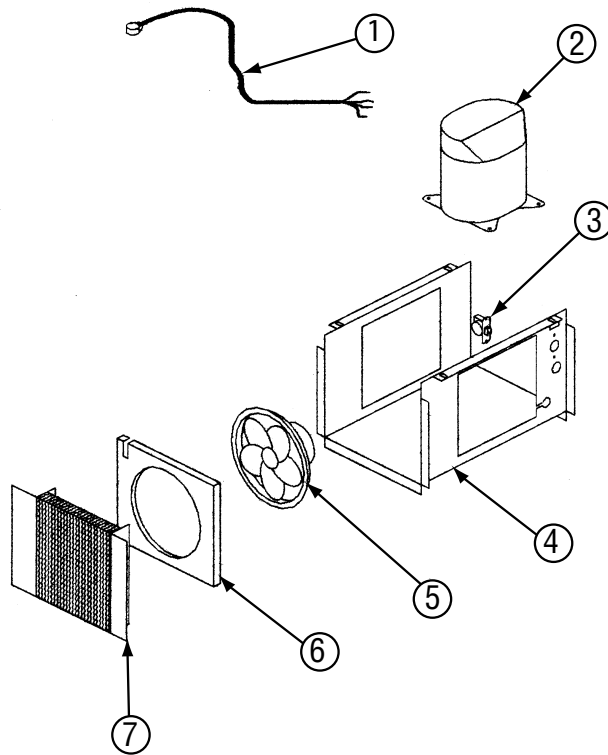
Miscellaneous Parts Not Included in Condensing Unit

| | |
|--------------------------|------------------------|
| 15 Amp switch, 120V | 2194099 |
| 15 Amp switch, 220V | 2194400 |
| Cord/plug assembly, 120V | 2183348 |
| Cord/plug assembly, 220V | Varies per destination |
| Expansion valve, 120V | 3516225 |
| Expansion valve, 220V | MCP00140 |
| Clip, sensing bulb | 3516595 |

Condensing Unit Assembly, 1/4 & 1/3 HP, R134A Narrow

Common and 220V parts used in export models N8156B-E and N8169B-E.

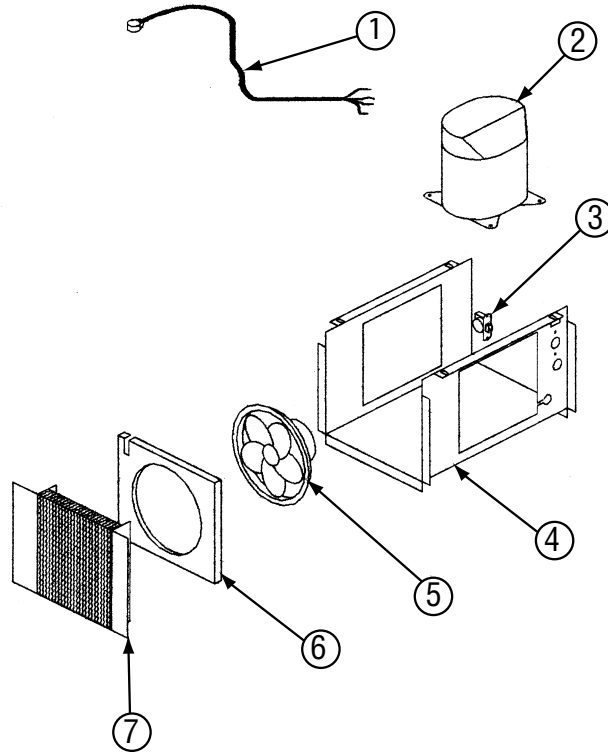
Used in 115V production prior to 7-11-16. Used in models N8156B, N8159-BR, N8169B, N8176-BR, N8181B and N8194-BR.



| Key | Description | Part Number |
|-----|---|--------------|
| 1 | Harness, wire, power cord | 2183300 |
| 2 | Compressor, 1/4 h.p., 115v/60hz, N8156B, N8159-BR, N8169B, N8176-BR | 3526695 |
| | Compressor, 1/4 h.p., 220v/50hz | 3526719 |
| | Compressor, 1/3 h.p., 115/60, R134A, N8181B, N8194-BR | 3526703 |
| 3 | Cold control | 3516054 |
| 4 | Stand, compressor | 024-ADB-0041 |
| 5 | Fan assembly, condenser, 8" blade, 115V | 2194013 |
| | Fan assembly, condenser, 8" blade, 220V | 2162689 |
| 6 | Baffle, fan | 026-ANM-0033 |
| 7 | Coil, condenser, 9x10, R134A | 3516067 |
| | 15 Amp switch, 220V | 2194400 |
| | Filter dryer, double 1/4"OD inlet | 3516230 |

Condensing Unit Assembly, 1/4 & 1/3 HP, R404A Narrow

Used in production after 7-11-16. Used in models N8156B, N8159-BR, N8168NB, N8169B, N8176-BR, N8181B and N8194-BR.

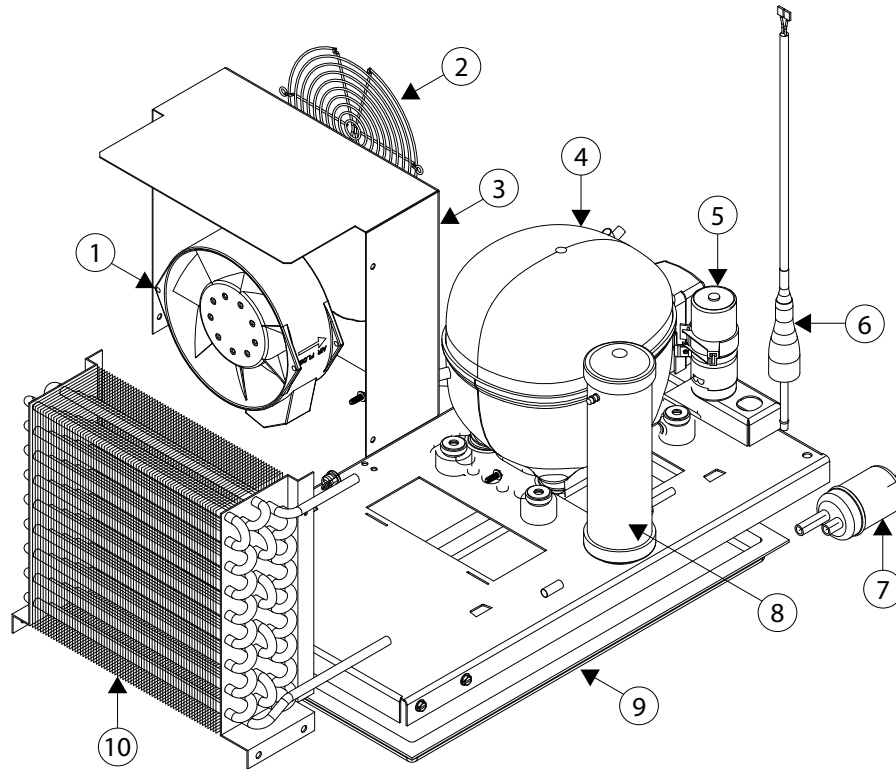


| Key | Description | Part Number |
|-----|---|--------------|
| 1 | Harness, wire, power cord | 2183300 |
| 2 | Compressor, 1/4 h.p., R404A, 115v/60hz, N8156B, N8159-BR, N8168NB, N8169B | 3527000 |
| | Compressor, 1/3 h.p., 115/60hz, N8176-BR, N8181B, N8194-BR | 3526703 |
| 3 | Cold control | 3516054 |
| 4 | Stand, compressor | 024-ADB-0046 |
| 5 | Blade, Fan, 5.56", CCW, Clear | 3516172 |
| | Motor, Fan, 120V, 50/60 | 2162691 |
| 6 | Baffle, fan | 026-ANM-0030 |
| 7 | Coil, condenser, 9x10, R134A | 3516067 |
| | Filter dryer, double 1/4"OD inlet | 3516230 |

Condensing Unit Assembly, 1/3 HP, R404a Low Temp

Used in models 8186-EF, N8259G, N8287 and N8681.

Common and 220V parts used in export models N8259G-E and N8287-E.



| Key | Description | Part Number | Note |
|-----|---------------------------------------|--------------|------|
| | Condensing Unit Assembly, 115V | 000-BN5-006B | |
| | Condensing Unit Assembly, 220V/50Hz | 000-BN5-006C | |
| 1 | Blade, Fan, 7.25 | 3516480 | |
| | Motor, Fan, 9W, 115V, CW | 2162717 | |
| | Motor, Fan, 9W, 230V, Unit Bearing | 2162720 | |
| 2 | Guard, Fan, 7.25 | 2160020 | |
| 3 | Shroud, Condenser Coil | 026-C58-0037 | |
| 4 | Compressor, NF7.0. 115V/60Hz | 3527000 | |
| | Compressor, 220V/50Hz | 3527012 | |
| 5 | Capacitor, Start 320MFD | 2194788 | |
| | Compressor relay and overload, NF7CLX | 3516438 | |
| 6 | High pressure switch | 3516324 | |
| 7 | Filter-dryer, (2) inlet .25" | 3516322 | |
| 8 | Receiver tank | 3516658 | [A] |
| 9 | Pan, condensate | 075-231-0030 | |
| 10 | Condenser Coil | 3516454 | |

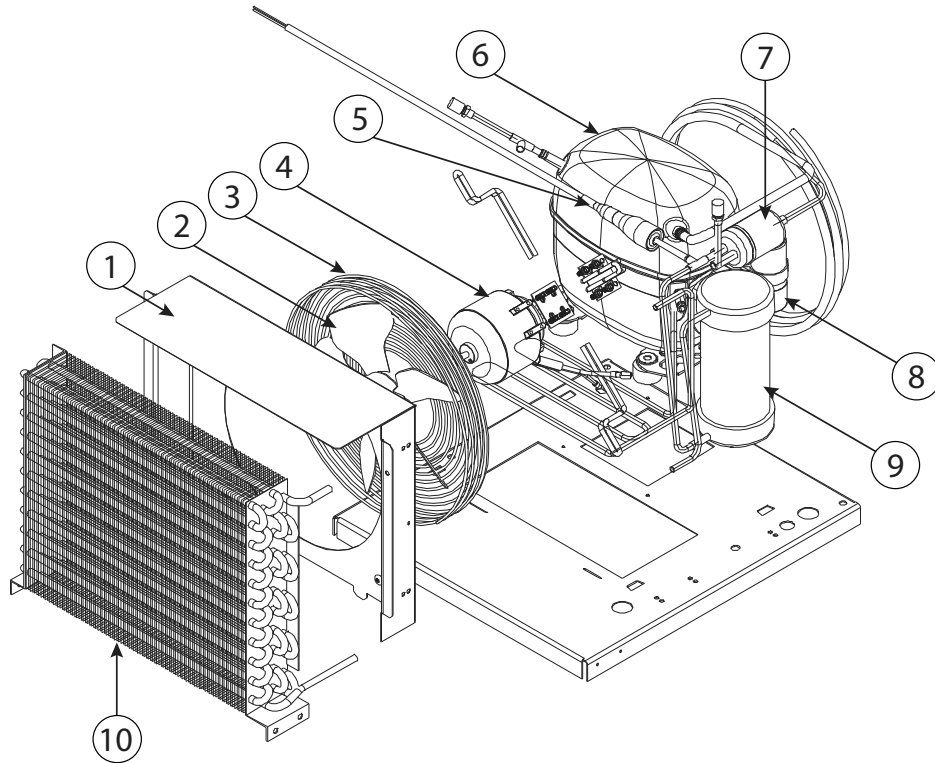
NOTE: [A] Re-piping may be required for installation.

Miscellaneous Parts Not Included in Condensing Unit

| | |
|--------------------------|------------------------|
| 15 Amp switch, 120V | 2194099 |
| 15 Amp switch, 220V | 2194400 |
| Cord/plug assembly, 120V | 2183348 |
| Cord/plug assembly, 220V | Varies per destination |
| Expansion valve, 120V | 3516225 |
| Expansion valve, 220V | MCP00140 |

Condensing Unit Assembly, 1/2 HP, R404a Low Temp

Used in model N8273G.



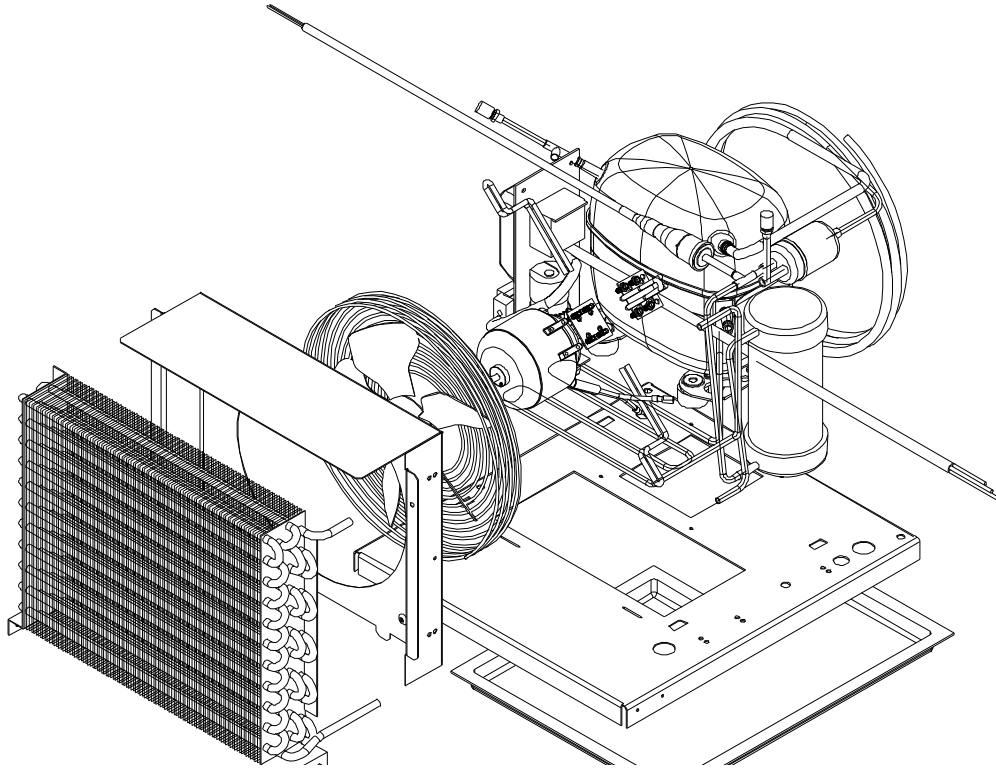
| Key | Description | Part Number |
|-----|--|--------------|
| | Condensing Unit Assembly, 115V | 000-BN5-0033 |
| | Condensing Unit Assembly, 220V/50Hz | 000-BN5-003N |
| 1 | Shroud, 1/2 HP Condenser Coil | 026-C58-0031 |
| 2 | Blade, Fan, 9.00", 5-pedal | 3516554 |
| 3 | Guard, Fan, Condenser, Upright | 2160019 |
| 4 | Motor, Fan, 16W, 115V | 2162716 |
| | Motor, Fan 16W, 230V | 2162721 |
| 5 | High Pressure Switch | 3516324 |
| 6 | Compressor, SC12CLX.2,115V/60Hz | 3527001 |
| | Compressor, 220V/50Hz | 3527011 |
| 7 | Filter-dryer, (2) inlet .25" | 3516322 |
| 8 | Capacitor, Start 240MFD | 2194789 |
| | Compressor relay, SC12CLX.2 | 3516441 |
| 9 | Receiver, used on models built after 9-9-15 | 3516659 |
| | Receiver, used on models built before 9-9-15 | 3516459 |
| 10 | Condenser Coil | 3516455 |

Miscellaneous Parts Not Included in Condensing Unit

| | |
|---------------------|---------|
| Expansion valve | 3516225 |
| 15 Amp switch, 120V | 2194099 |
| 15 Amp switch, 220V | 2194400 |
| Cord/plug assembly | 2183348 |

Condensing Unit Assembly, 1/2 HP, R404A Mid Temp

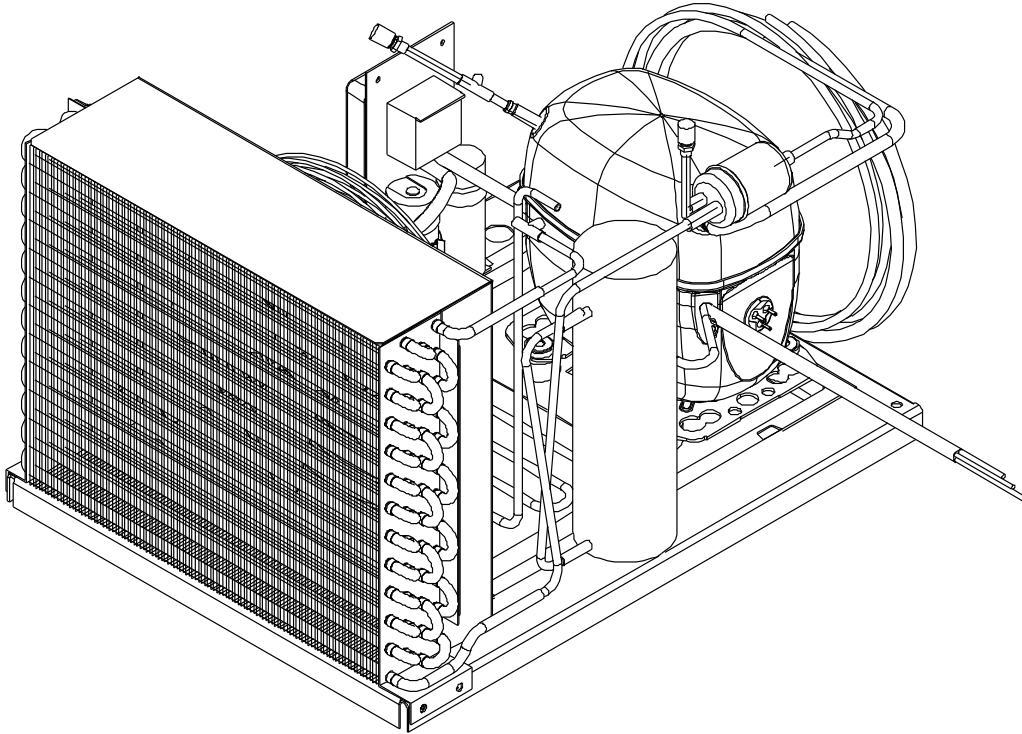
Used in models N8144-FA and N8157-FA.



| Key | Description | Part Number |
|-----|--|--------------|
| | Condensing Unit Assembly | 000-BN5-0035 |
| 1 | Shroud, 1/2 HP condenser coil | 026-C58-0031 |
| 2 | Blade, fan 9.00", 5 pedal | 3516554 |
| 3 | Guard, fan, condenser, upright | 2160019 |
| 4 | Motor, fan, 16W, 115V | 2162716 |
| 5 | Capacitor, start, assembly | 3516462 |
| 6 | Compressor, SC12MLX, 115V/60Hz | 3527026 |
| 7 | High pressure switch | 3516331 |
| 8 | Filter dryer, (2) inlet, .25" | 3516322 |
| 9 | Receiver, used on models built after 9-9-15 | 3516659 |
| 9 | Receiver, used on models built before 9-9-15 | 3516459 |
| 10 | Pan, condensate | 075-231-0031 |
| 11 | Coil, 1/2 HP condensing | 3516455 |

Condensing Unit Assembly, 3/4 HP, R404A

Used in models N8169-FA and N8182-FA.



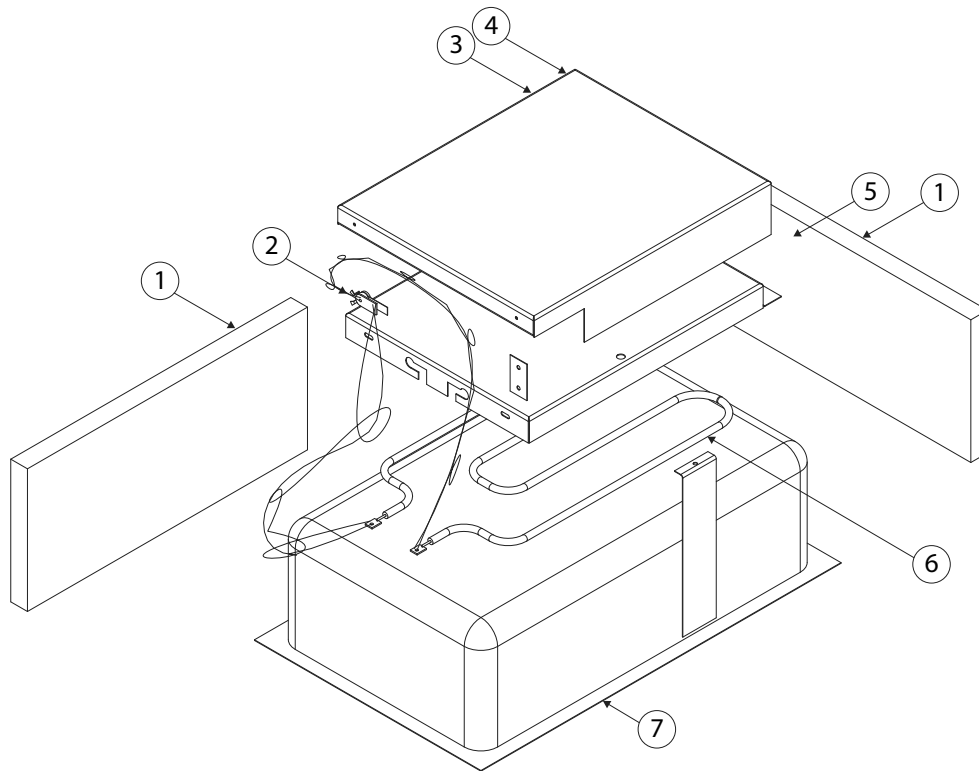
| Key | Description | Part Number | Note |
|-----|----------------------------------|--------------|------|
| | Condensing Unit Assembly | 000-BN5-0036 | |
| 1 | Shroud, 3/4 HP condenser coil | 026-C58-0032 | |
| 2 | Guard, fan, condenser, upright | 2160019 | |
| 3 | Capacitor, start, run, assembly | 3516442 | |
| 4 | Compressor, SC18MLX, 115V/60Hz | 3527021 | |
| 5 | Filter dryer, (2) inlet, .25" | 3516322 | |
| 6 | Tank, receiver | 3516657 | [A] |
| 7 | Coil, condenser, 3/4 HP | 3516456 | |
| | Pan, condensate | 075-231-0031 | |
| | Blade, fan 25°, 10", CW, upright | 3516433 | |
| | Motor, fan, 16W, 115V | 2162716 | |

NOTE: [A] Re-piping may be required for installation.

Food Well Assembly With Infinite Control

Used in models N8700D, N8700N, N8700ND and N8700R.

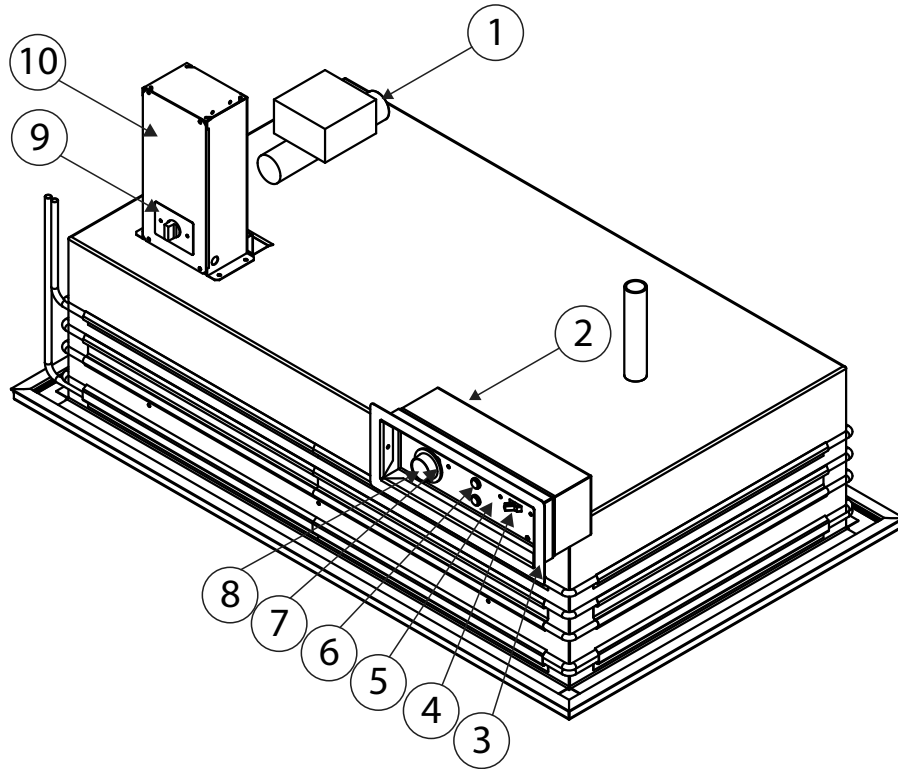
Common and 220V parts used in export series N8700D-E.



| Key | Description | Part Number |
|-----|--|---------------|
| 1 | Insulation, fiberglass, 9" x 48" | 3434703 |
| 2 | Thermostat, non-adjustable, 480°F | 2194335 |
| 3 | Bottom cover | 026-103-0002 |
| 4 | Insulation, blanket, 24" wide | 3434663 |
| 5 | Plate, deflector, DFW, with or without drain | 026-061-0001 |
| 6 | Element, heating, 208/230v, 1000/1222w | 2194007 |
| | Element, heating, 120v | 2194006 |
| 7 | Well, hot food, with drain | 000-BQ9-Z0001 |
| | Well, hot food, without drain | 000-BQ9-Z0000 |
| | Knob, infinite control | 3234557 |
| | Control, infinite, 240v, 14a | 2194110KT |
| | Control, infinite, 120v | 2194107KT |

Food Well Assembly With Thermostat control

Used in model N8600.

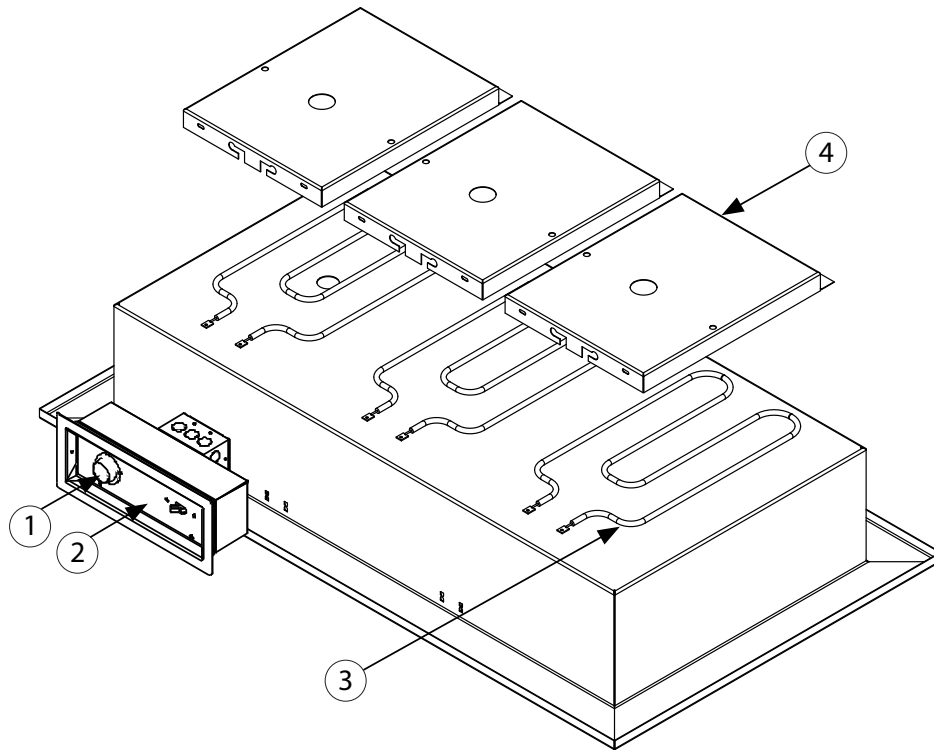


| Key | Description | Part Number |
|-----|-----------------------------------|--------------|
| 1 | Immersion heater 120V, 1Ph | 2194075 |
| | Immersion heater 240V 1Ph 5KW | 2193974 |
| 2 | Box, control, galv, 8600 series | 026-AO6-0041 |
| 3 | Front, collar, mounting, 8600 | 372-ANQ-003D |
| 4 | Switch, 3 position, 30Amp | 2193979 |
| 5 | Cover, control box, 8700 series | 372-ANS-0001 |
| 6 | Light, pilot, 125V, red | 2194190 |
| 7 | Thermostat, electric (heated) | 2194202 |
| 8 | Knob, thermostat control (heated) | 3234556 |
| 9 | Contactur, 2 Pole, 120V | 2194974 |
| 10 | Temperature control (cold) | 3516054 |

Food Well Assembly With Thermostat Control

Used in models N8831, N8859, N8873 and N8887.

Common and 220V parts used in export series N8800-E.



| Key | Description | Part Number |
|-----|--|--------------|
| 1 | Knob, thermostat control | 3234556 |
| 2 | Thermostat 30A, N8873, N8887 | 2193984 |
| | Thermostat, 25A, N8831, N8845, N8859 | 2194012 |
| 3 | Element, heating, 208/230v, 1000/1222w | 2194007 |
| | Element, heating, 120v, 1000w | 2194006 |
| 4 | Plate, deflector, DFW, with drain | 026-061-0001 |
| | Insulation, fiberglass, 1" thick | 3434704 |
| | Insulation, fiberfrax, 1" thick | 3434664 |



DELFIELD
980 SOUTH ISABELLA ROAD, MOUNT PLEASANT, MI 48858

800-733-8821
WWW.DELFIELD.COM



WWW.WELBILT.COM

Welbilt provides the world's top chefs, and premier chain operators or growing independents with industry leading equipment and solutions. Our cutting-edge designs and lean manufacturing tactics are powered by deep knowledge, operator insights, and culinary expertise. All of our products are backed by KitchenCare® – our aftermarket, repair, and parts service.

- ▶ CLEVELAND
- ▶ CONVOTHERM®
- ▶ DELFIELD®
- ▶ FITKITCHEN™
- ▶ FRYMASTER®
- ▶ GARLAND
- ▶ KOLPAK®
- ▶ LINCOLN
- ▶ MANITOWOC®
- ▶ MERCO®
- ▶ MERRYCHEF®
- ▶ MULTIPLEX®