



Nordic Zone™ Cold Food Bars

Service, Installation and Care Manual

Please read this manual completely before attempting to install or operate this equipment! Notify carrier of damage! Inspect all components immediately. See page 2.



 **CAUTION**
IMPORTANT INFORMATION
READ BEFORE USE
PLEASE SAVE THESE INSTRUCTIONS!

August 2003

CONTENTS **SERIAL NUMBER LOCATION**

RECEIVING AND INSPECTING UNIT 2
 INSTALLATION 3
 ROUTINE MAINTENANCE 3
 OPERATION 4
 WIRING DIAGRAM..... 5
 REPLACEMENT PARTS LIST..... 5
 FULL VIEW..... 6
 UNIT DETAILS..... 7
 WALL MOUNT INSTALLATION..... 8
 STANDARD WARRANTIES 9-10
 AUTHORIZED PARTS DEPOTS..... 12

The serial number on Nordic Zone series is located behind the hinge doors affixed to the interior stainless side. On the two section model, it will be the two interior sides in the center of the assembly. Always have the serial number of your unit available when calling for parts or service. A complete list of authorized Delfield parts depots is shown on the back cover of this manual.

Refrigeration system is set up as a R-404a refrigerant.

©2003 The Delfield Company. All rights reserved. Reproduction without written permission is prohibited. "Delfield" is a registered trademark of The Delfield Company.

Mechanical Data (dimensions for RT00012 (left side) and RT00013 (right side) combined)

MODEL NUMBER	LENGTH	PRODUCT HOLDING AREA	#OF DOORS	# OF LIGHT BULBS	AMP	REMOTE HP	REMOTE BTU	SHIP WEIGHT LBS.
NZ123	123.5" (313.69cm)	24" x 80.5" (60.69cm X 204.47cm)	4	(4) 48"	6	1.5	10,030	951
NZ207	207" (525.78cm)	24" x 124" (60.69 x 410 cm)	8	(8) 48"	(2) 6	(2) 1 1/2	20,060	1600

RECEIVING AND INSPECTING THE EQUIPMENT

Units are shipped blanket wrapped.

Care should be taken during unloading so the equipment is not damaged while being moved into the building.

1. Visually inspect the unit. Any damage should be noted and reported to the delivering carrier immediately.
2. If damaged, open and inspect the unit with the carrier.
3. In the event that the unit is not damaged, yet upon opening, there is concealed damage to the equipment notify the carrier. Notification should be made verbally as well as in written form.
4. Request an inspection by the shipping company of the damaged equipment. This should be done within 10 days from receipt of the equipment.
5. Also open the mechanical compartment housing and visually inspect the control package. Be sure lines are secure and base is still intact.
6. Freight carriers can supply the necessary damage forms upon request.



INSTALLATION

In most instances, the salad bar units will arrive at the job site uncrated, and caution must be taken not to damage any exterior surfaces when moving into position. All internal components including glass and mirrors will be shipped intact within the unit.

The area where the salad bar is to be located must be clean and the floor level to assure a satisfactory installation.

In the appropriate location, units must be leveled with the finished work height top of Corian® to be approximately 34" above finished floor. Make sure units are level left to right as well as front to back. The units are mounted on 6" high legs which can be adjusted up to 1".

Corian® adhesive (supplied) is to be applied between Corian® surfaces where they adjoin at center for proper moisture sealing.

Once the Corian® adhesive has been applied the units are ready to be connected together where noted "spline here." The locations are directly behind the front nosing, below the upper front air diffuser, and at the rear of the unit. Fasteners will be pre-installed within the spline locations. Clean the units. Remove any excess silicone or adhesive that may have squeezed out after splining units together. With sufficient help (4-5) individuals, slowly push the connected units "evenly" back to the wall at the rear. Make sure that all stubbed out electrical, refrigeration lines, and plumbing lines clear the cabinet structure. If not, make any necessary adjustments to clear these components. Once the units are secure against the wall at the rear, double check for level.

Locate and install Corian® rear and side splashes using adhesive supplied. It may be necessary to trim pieces slightly to fit.

REFRIGERATION INSTALLATION

If the condensing units are to be set on the roof of the building, it must be mounted on beams supplied by the roofing contractor or the refrigeration contractor.

The condensing units must be a minimum of three feet apart to assure proper air flow. Before the salad bar units arrive the refrigeration lines must be installed from the condensing units down through the ceiling and the rear wall and stubbed out per the drawing supplied to the installer. The suction line should be 5/8 inch and the liquid line should be 3/8 inch for most installations. The pipe insulation should be 1/2 inch wall thickness. A "p" trap must be installed at the lowest point of the refrigeration lines. The electrical power supply must also be stubbed through the rear wall.

The liquid line should be insulated if exposed to sunlight on roof installations. All refrigeration lines must be secured to prevent excessive vibrating or kinking of the copper tubing. Drain lines must be installed to the drain stub on the bottom of the evaporator housing. The drain must have proper slope to insure good drainage from the evaporator pan. A minimum vacuum of 200 microns must be reached before charging the units with R-404A refrigerant. The system must be charged under a heat load with R-404A until the sight glass is clear. Normal installations will require approximately 9lbs. of refrigerant for each system.

All panels and covers must be installed in the proper locations and the defrost timer must be set for the proper time. Defrost time for normal installations should be 15 minutes every three hours and the thermostat setting should be for 37° degrees box temperature.



NOTE: do not change setting of defrost timer or thermostat. See page #4 for complete operation instructions.

NOTE



On/Off Switch located behind the center panel.



Thermostat located behind the On/Off switch panel.

CLEANING INSTRUCTIONS

Daily cleaning of the interior and exterior of the unit is recommended. All food must be removed from the interior before cleaning. Always wear gloves and eye protection when handling cleaning solutions and cleaning the salad bar.

GLASS: Use the mildest cleaning product available to clean glass mirrors on the salad bar. Typically, soap and water, or ammonia will clean the glass sufficiently. If stronger solutions are required, be sure to use products designed for use on glass. Cleaning products designed for other materials will leave residue that is not removable.

DISINFECTING: If the interior surface requires disinfecting, use a product that contains Alkyl Ammonium Chloride to kill germs.

GREASE REMOVAL: Your regular daily cleaner may not remove grease, fingerprints or other oily deposits found on glass. In this case, use a stronger degreasing cleaner with butoxyethanol. Apply this cleaner with sponge or cloth. Remove with a squeegee. Reclean as necessary if streaks appear from degreaser.

DEGREASERS CAN HARM YOU. ALWAYS WEAR PROTECTIVE GLOVES AND EYE PROTECTION WHEN USING THESE MATERIALS.

CLEANING REFRIGERATED PLATFORM: After removing all food product and containers, lift the platform by grasping the front edge and pulling up.

When lifting front edge take caution to ensure palms are down as to not pinch fingers. See Figure-1 and Figure-2.



CAUTION The platform is mounted on two pistons, located at each end of the platform. Once raised, clean food debris from the area, paying attention not to force food down the drain of this area. **This drain is easily clogged and difficult to clean.** Once food debris is cleaned out of the area, use soap and water to wash the area and rinse. This will flow down the drain. When cleaning is done, pull the platform down.

CABINET WOOD

To clean, gently wipe liquid spills up with a damp towel. If necessary use with mild detergent.

PLASTIC LAMINATE

In most cases, you only need to use a clean, damp nonabrasive cotton cloth and a mild liquid detergent or household cleaner. Rinse with clean water, using a clean, nonabrasive cotton cloth. Do not flood the laminate, especially near seams since water can penetrate and cause the substrate to swell. Dry the surface with a soft, clean, non-abrasive cotton cloth.

DO NOT use abrasive cleaners, powders, steel wool, sandpaper, or Scotch-Brite™ scouring pads. Use a trivet, insulated hot pad or other protective device beneath all hot cookware, heat generating appliances, or other heated objects.



CORIAN®

There are three types of countertop finishes: matte, semigloss and gloss. All Corian® sinks and bowls have the matte finish. Soapy water or ammonia-based cleaners will remove most dirt and stains from all types of finishes. However, slightly different techniques must be used to remove difficult stains, depending on the finish.

Preventing Heat Damage: to prevent heat damage, always use a hot pad or a trivet with rubber feet to protect your Corian.

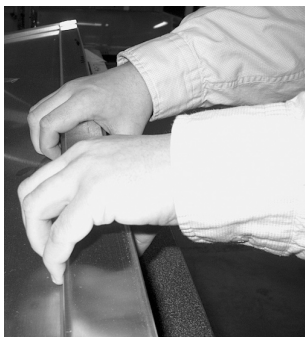


Figure-1



Figure-2

OPERATION

Start Up Procedures

- 1) Turn main power toggle switch to the ON position
- 2) Turn the toggle switch labeled lights to the ON position
- 3) Allow the case to reach refrigerator temperatures before filling with product.

Shut Down Procedures

- 1) Turn the toggle switch labeled LIGHTS to the OFF position.
- 2) Turn the toggle switch labeled MAIN to the OFF position.
- 3) Remove product from the case and clean.

Display area must be in down position for fans to run.

COPIES OF THIS INFORMATION ARE ATTACHED TO THE INSIDE CENTER DOORS ON THE SALAD BAR.

TO INSURE THE PROPER OPERATION OF THIS AIR SCREEN SALAD BAR, PLEASE OBSERVE THE FOLLOWING.

The master back door light switch controls the power to the salad bar. When turned on, the process of circulating cold air and cooling down the cold plates will start. This must be done one hour prior to stocking the salad bar with any food items. (At pre-determined times throughout the day, the unit will cycle itself into a defrost mode.) Turn on the overhead display lights and you are ready to go.

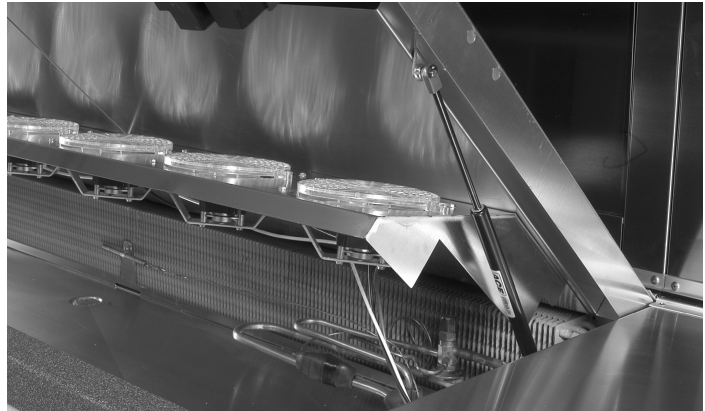
Listed below are some important steps that must be followed to insure that the air screen salad bar unit is set up correctly.

Do not install plastic wrap on any areas except the solid surface portion of the cooling plates. Be careful not to block the return air vents at the front or extreme ends of the cooling plates.

The mirrored panels along the rear of the unit must be securely in place with no air leaks between mirror panels or at the outside ends.

Control Knobs and Switches: All control and switches are labeled accordingly.

1. Never attempt to change the setting of the defrost timer or thermostat. Adjustments are to be made by qualified service technicians only. Defrost cycles are factory preset and should not require field adjustments. In the event of a power loss to this unit, timers will NOT need to be reset.
2. The toggle switch labeled lights are for the overhead display lights and can be operated as necessary. A master on/off switch is located in the base area.
3. If the units are not keeping acceptable temperatures or performing properly an authorized service agent MUST BE contacted. Contact local service company or Delfield Service direct at 800-733-8829.
4. When lifting front edge take caution to ensure palms are down as to not pinch fingers - see photo to the right.
5. Cleaning under display area can be done by lifting front edge of display area - see photo above. Consult service/maintenance manual for additional information.

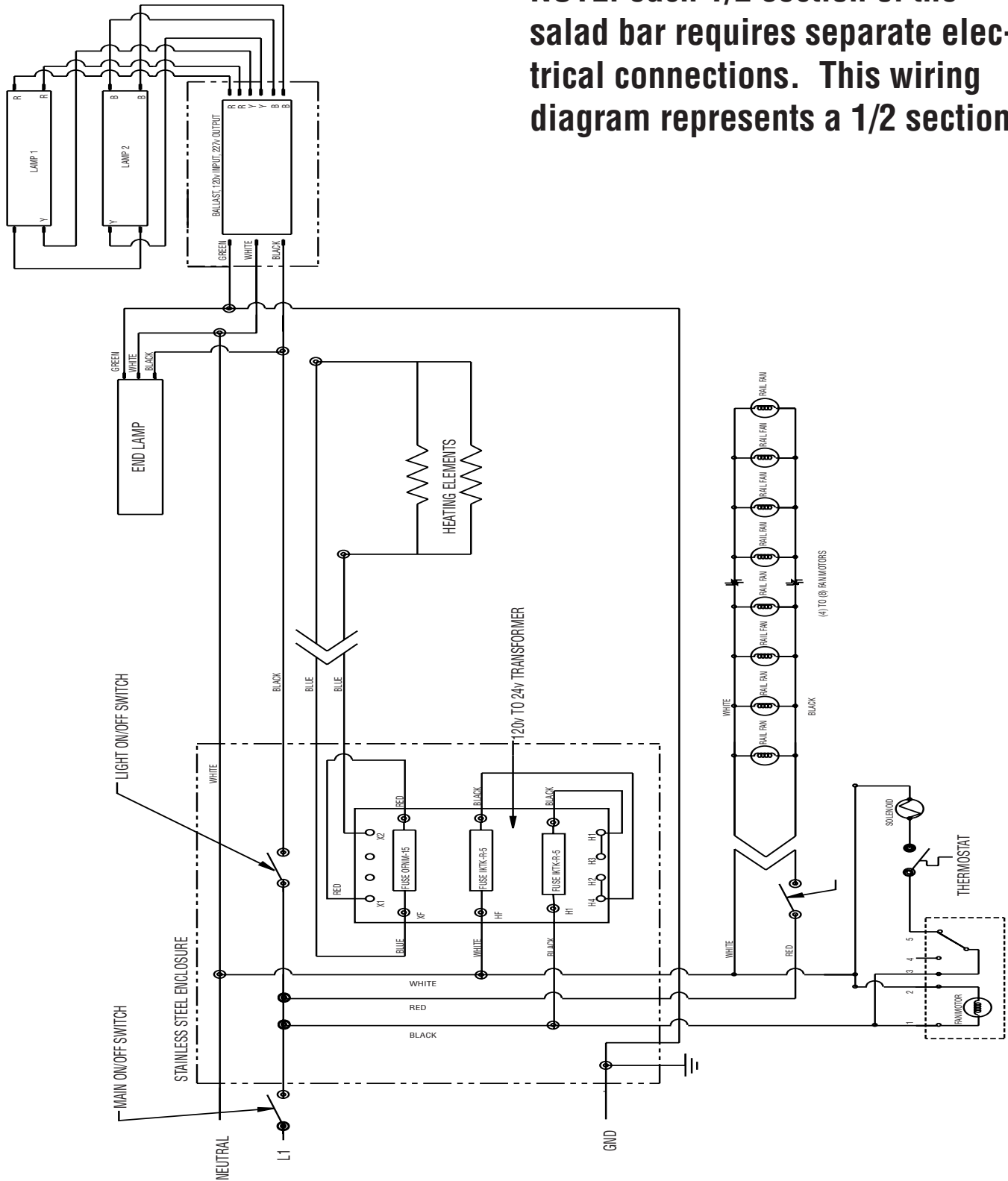


Do not allow the pewter bowls or kale garnish to block the airflow from the louvered areas at the inside back of the cooling plates. There must be a minimum of 3 inches between the louvered panels and the pewter. Do not allow the pewter bowls or kale garnish to block the return air vents at the front or extreme ends of the cooling plates.

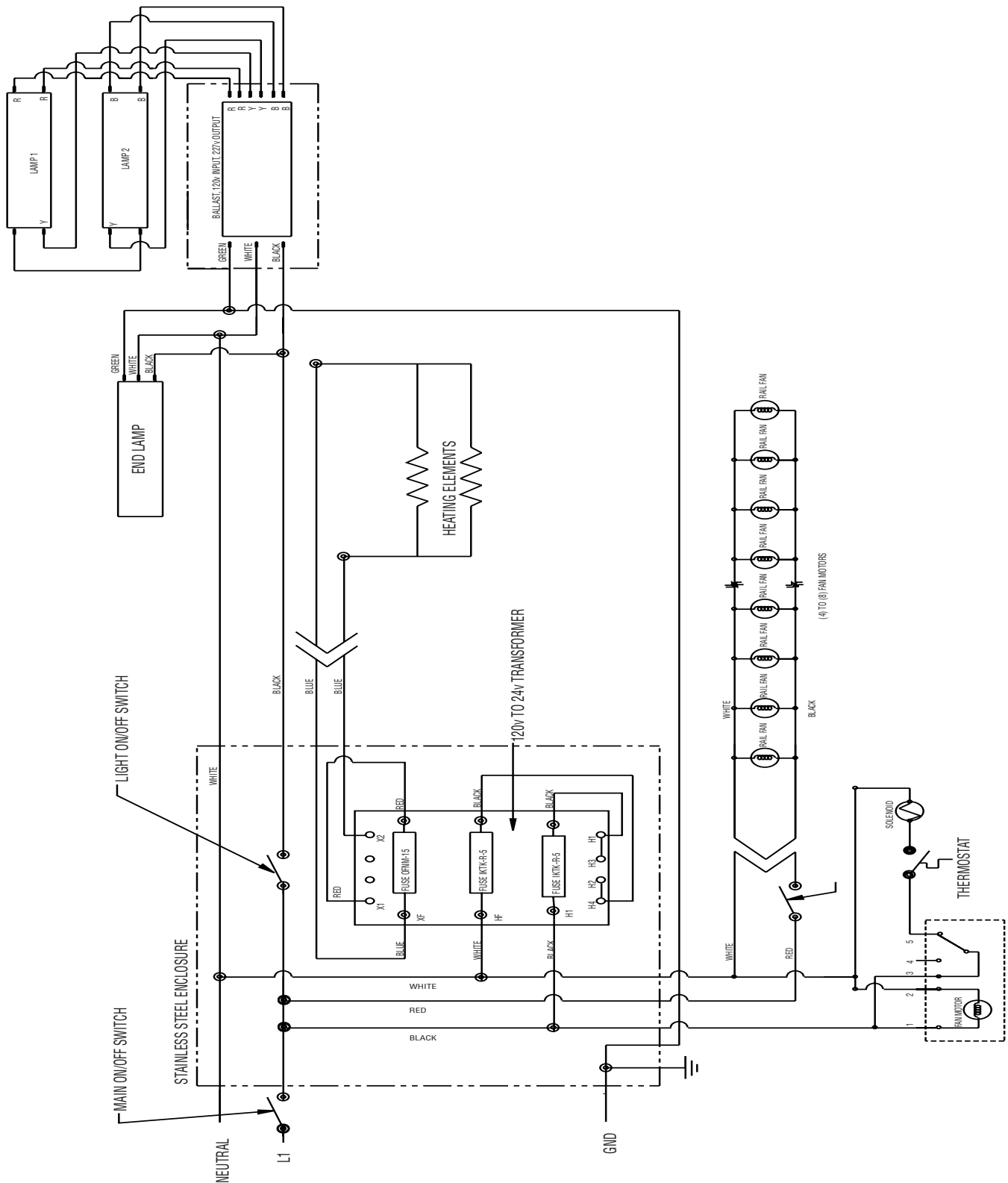
PRIORITY:
All refrigerated Salad Bar items must be at or below 40°F prior to being placed onto the salad bar. Do not stack the salad bar with warm product.

WIRING DIAGRAM 207''

NOTE: each 1/2 section of the salad bar requires separate electrical connections. This wiring diagram represents a 1/2 section.



WIRING DIAGRAM 123³³ - NOTE: each 1/2 section of the salad bar requires separate electrical connections. This wiring diagram represents a 1/2 section.



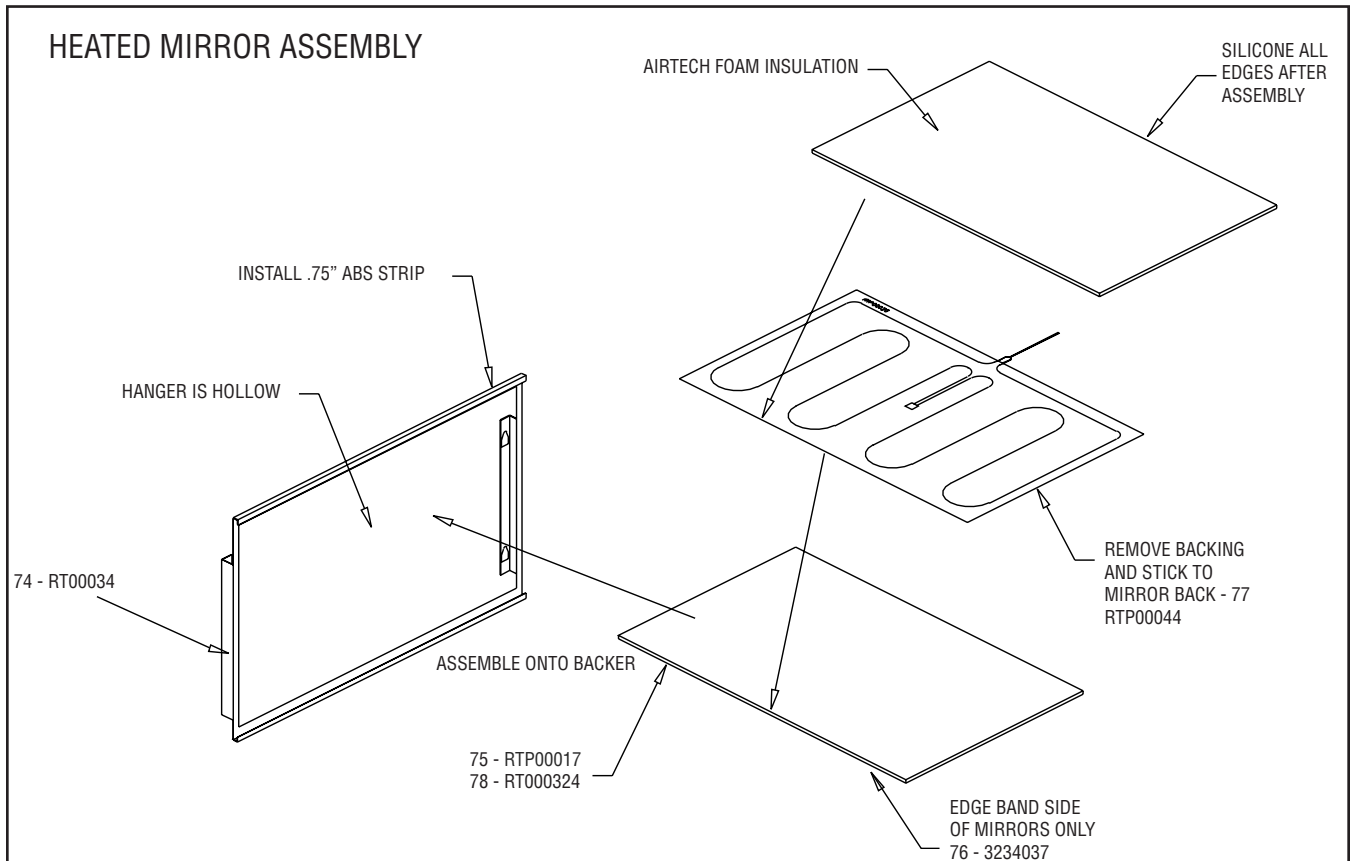
REPLACEMENT PARTS

LEFT and/or RIGHT HAND of 207" (each side)

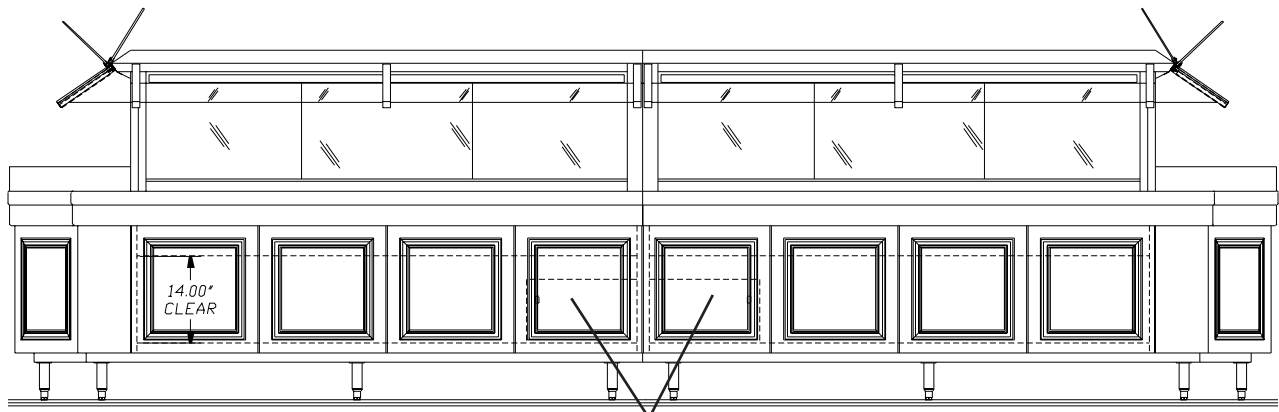
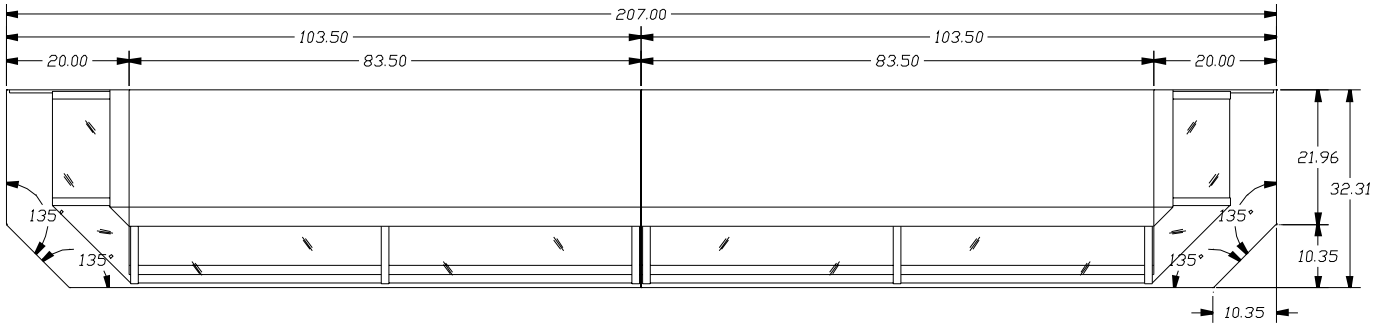
Remote PART NUMBER	DESCRIPTION
323457	Control knob ring guard
2194620	Fan safety switch
RTP00013	34" Fluorescent bulb
RTP00034	UCM-8 Fluorescent bulb
RTP00012	2-Bulb fluorescent bulb
3516222	Solenoid valve
5090025	Temperature control
6230110	Plastic insert
RTP00040	Alum hinge
3234645	6" leg
RTP00024	Limitron bussman fuse
RTP00022	Transformer
2190154	Rocker switch (lights, night power)
3234242	Plastic drain
2194345	Timer
3516151	Expansion valve
RTP00009	Evaporator coil
RTP00044	Mirror heater pad
3516172	Fan blade
3516173	Fan guard
2162691	Fan motor

ONE SIDE OF THE 123"

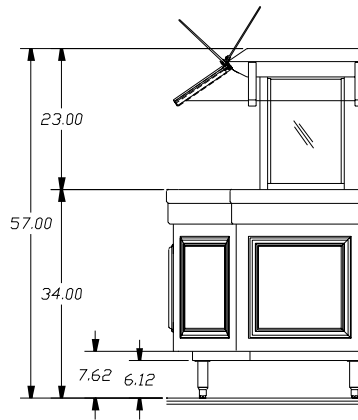
Remote PART NUMBER	DESCRIPTION
323457	Control knob ring guard
2194620	Fan safety switch
RTP00013	34" Fluorescent bulb
RTP00034	UCM-8 Fluorescent bulb
RTP00012	2-Bulb fluorescent bulb
3516222	Solenoid valve
5090025	Temperature control
6230110	Plastic insert
RTP00040	Alum hinge
3234645	6" leg
RTP00024	Limitron bussman fuse
RTP00022	Transformer
2190154	Rocker switch (lights, night power)
3234242	Plastic drain
2194345	Timer
3516151	Expansion valve
RTP00010	Evaporator coil
RTP00044	Mirror heater pad
3516172	Fan blade
3516173	Fan guard
2162691	Fan motor



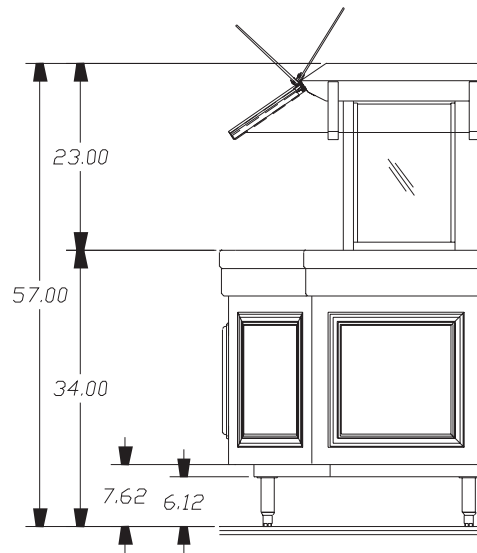
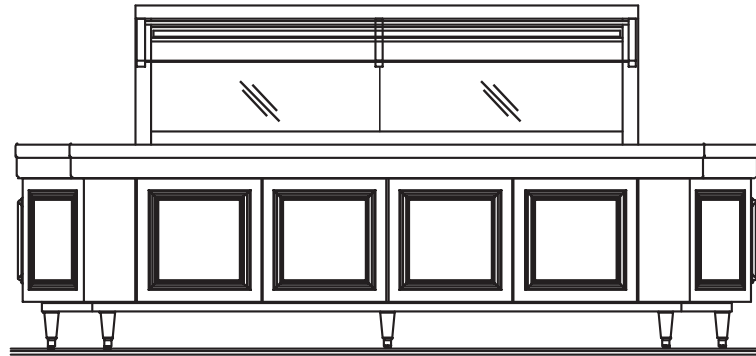
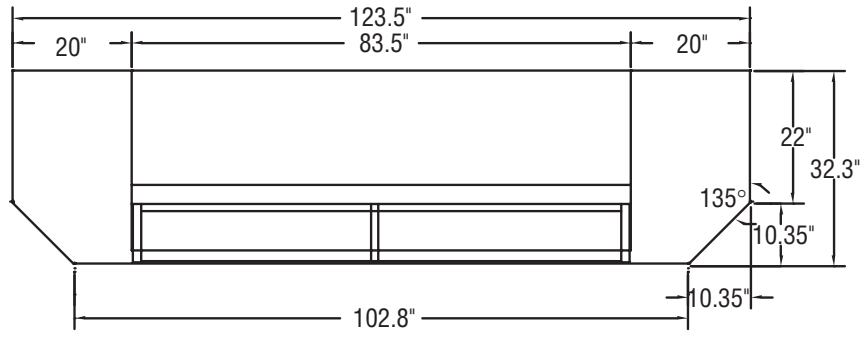
FULL VIEW 207"

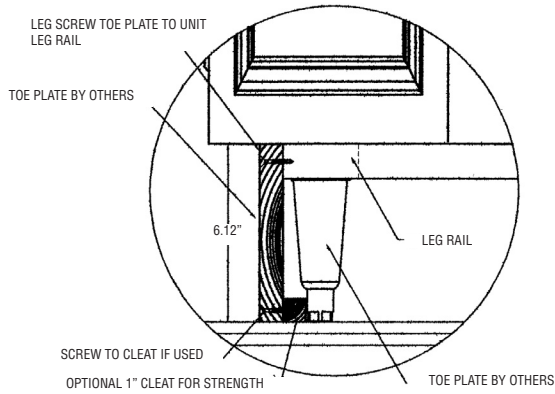


Switch and defrost locations

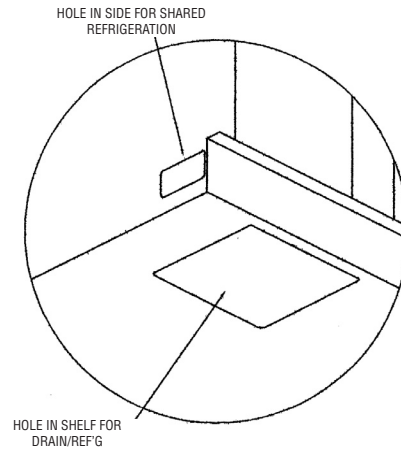


FULL VIEW 123"

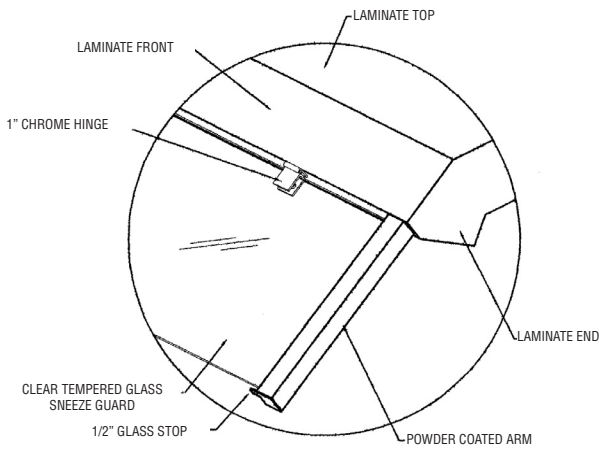




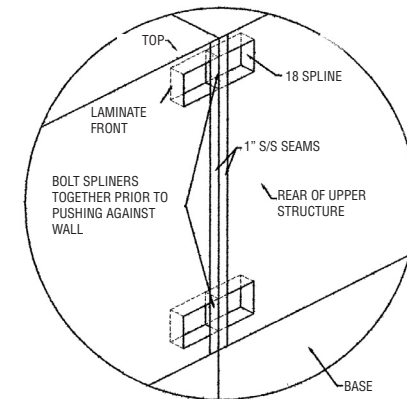
TOE PLATE INSTALLATION DETAIL



ACCESS HOLE DETAIL



GLASS SNEEZE GUARD DETAIL

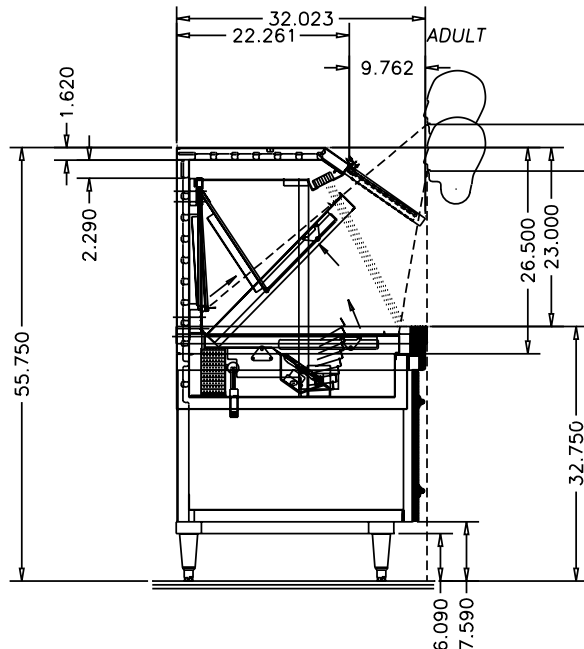


REAR SPLINE DETAIL

SECTION VIEW

Sneeze shields to be “flip up” style and will be positioned to meet NSF requirements (1/4” tempered glass)

NOTE: All return air chambers to be constructed of cleanable approved materials.



NSF Official Listing For Lighting System

**NSF International (NSF)
OFFICIAL LISTING**

This is a Certification by NSF that these products conform to the requirements of
NSF Standard 51 - Food Equipment Materials

This is your Official Listing as we have it on record at this time.

May 3, 2000

CC: 02

TROJAN, INC.
198 TROJAN STREET
P.O. BOX 850
MT. STERLING, KY 40353

Plant At: MT. STERLING, KY

Trade Designation	Color	Type of Food	Temperature of Use	
			Degrees F. Min	Max
Polymer Coating for Food* Zone 3 STC	Clear	Food Zone Non-Contact	N/A	N/A

* Non Contact

Plant At: MEADVILLE, PA

Trade Designation	Color	Type of Food	Temperature of Use	
			Degrees F. Min	Max
Teplon® Coating for Food* Zone 5 STC	Clear	Food Zone Non-Contact	N/A	N/A
Silicone Coating for Food* Zone 2 STC II	Clear	Food Zone Non-Contact	N/A	N/A

* Non Contact

NOTE:

Food Zone Items Are Also Acceptable For Use In Splash And Non-food Zones.
Splash Zone Items Are Also Acceptable For Use In Non-food Zones.

NSF International

RECOGNIZES

TROJAN, INC.

Plant At: MT. STERLING, KY

AS COMPLYING WITH ANSI/NSF 51.
PRODUCTS APPEARING IN THE NSF OFFICIAL LISTING ARE
AUTHORIZED TO BEAR THE NSF MARK.



This certificate is the property of NSF International and must be returned upon request. To verify certification, call 800 NSF-MARK or (1) 734 769-8010.

Joseph L. Phillips

May 4, 2000
Certificate #82950/82951B

Joseph L. Phillips, General Manager
Food Equipment



STANDARD LABOR GUIDELINES TO REPAIR OR REPLACE PARTS ON DELFIELD EQUIPMENT

Advice and recommendations given by Delfield Service Technicians do not constitute or guarantee any special coverage.

- A maximum of 1-hour is allowed to **diagnose a defective component**.
- A maximum of 1-hour is allowed for **retrieval of parts** not in stock.
- A maximum **travel distance** of 100 miles round trip and 2-hours will be reimbursed.
- Overtime, installation/start-up, normal control adjustments, general maintenance, glass breakage, freight damage, and/or correcting and end-user installation error will not be reimbursed under warranty unless pre-approved with a **Service Work Authorization** from Delfield. You must submit the number with the service claim.

LABOR OF 1-HOUR IS ALLOWED TO REPLACE:

- | | |
|---|---|
| <ul style="list-style-type: none"> • Thermostat • Infinite Switch • Door Jamb Switch • Solenoid Coil • Hi-limit/Thermal Protector Switch • Fan Delay/Defrost Termination Switch • Compressor Start Components and Overload Protector • Defrost Timer • Thermometer • Gear Box | <ul style="list-style-type: none"> • Contactor/Relay • Transformer • Evaporator/Condenser Fan Motor and Blade • Circulating Fan Motor and Blade • Microprocessor Control • Water Level Sensor/Probe • Door Hinges, Locks, and Gaskets • Condensate Element • Springs/Lowerator |
|---|---|

LABOR OF 2 HOURS TO REPLACE:

- | | |
|--|--|
| <ul style="list-style-type: none"> • Drawer Tracks/Cartridges • Pressure Control • Solenoid Valve | <ul style="list-style-type: none"> • Defrost Element • Heating Element • Locate/Repair Leak |
|--|--|

LABOR OF 3 HOURS TO REPLACE:

- | | |
|---|--|
| <ul style="list-style-type: none"> • EPR or CPR Valve • Expansion Valve | <ul style="list-style-type: none"> • Condenser or Evaporator Coil |
|---|--|

LABOR OF 4 HOURS TO REPLACE

- Compressor

This includes recovery of refrigerant and leak check.

\$35.00 maximum reimbursement for refrigerant recovery (includes recovery machine, pump, torch, oil, flux, minor fittings, solder, brazing rod, nitrogen, or similar fees.)

REFRIGERANTS

- R22 A maximum of \$4.00/lb. or 25¢/oz. will be reimbursed.
- R134A A maximum of \$5.00/lb. or 31¢/oz. will be reimbursed.
- R404A A maximum of \$12.00/lb. or 75¢/oz. will be reimbursed.



STANDARD ONE YEAR WARRANTY (One year parts, 90 days labor.)

The Delfield Company (“Delfield”) warrants to the Original Purchaser of the Delfield product (herein called the “Unit”) that such Unit, and all parts thereof, will be free from defects in material and workmanship under normal use and service for a period of one (1) year from the date of shipment of the Unit to the Original Purchaser **or, if the Original Purchaser returns the warranty card completely filled out including the date of installation within thirty (30) days of receipt of the Unit, one (1) year from the date of installation.** During this one year warranty period, Delfield will repair or replace any defective part or portion thereof returned to Delfield by the Original Purchaser which Delfield determines was defective due to faulty material or workmanship. The Original purchaser will pay all labor, crating, freight and related costs incurred in the removal of the Unit of defective component and shipment to Delfield, except that during a period of either ninety (90) days from the date of shipment of the Unit to the Original Purchaser or, if the Original Purchaser returns the warranty card completely filled out including the date of installation within thirty (30) days of receipt of the Unit, ninety (90) days from the date of installation Delfield will pay all related labor costs. Delfield will pay the return costs if the Unit or part thereof was defective.

The term “Original Purchaser” as used herein means that person, firm, association, or corporation for whom the Unit was originally installed.

This warranty does not apply to any Unit or part thereof that has been subjected to misuse, neglect, alteration, or accident, such as accidental damage to the exterior finish, operated contrary to the recommendations specified by Delfield; or repaired or altered by anyone other than Delfield in any way so as to, in Delfield’s sole judgement, affect its quality or efficiency. This warranty does not apply to any Unit that has been moved from the location where it was originally installed. This warranty also does not cover the refrigerator drier or the light bulbs used in the Unit. **The warranty is subject to the user’s normal maintenance and care responsibility as set forth in the Service and Installation Manual, such as cleaning the condenser coil, and is in lieu of all other obligations of Delfield. Delfield neither assumes, nor authorizes any other person to assume for Delfield, any other liability in connection with Delfield’s products.**

Removal or defacement of the original Serial Number or Model Number from any Unit shall be deemed to release Delfield from all obligations hereunder or any other obligations, express or implied.

Parts furnished by suppliers to Delfield are guaranteed by Delfield only to the extent of the original manufacturer’s express warranty to Delfield. Failure of the Original Purchaser to receive such manufacturer’s express warranty to Delfield. Failure of the Original Purchaser to receive such manufacturer’s warranty shall in no way create any warranty, expressed or implied, or any other obligation or liability on Delfield’s part in respect thereof.

IF THE CUSTOMER IS USING A PART THAT RESULTS IN A VOIDED WARRANTY AND A DELFIELD AUTHORIZED REPRESENTATIVE TRAVELS TO THE INSTALLATION ADDRESS TO PERFORM WARRANTY SERVICE, THE SERVICE REPRESENTATIVE WILL ADVISE CUSTOMER THE WARRANTY IS VOID. SUCH SERVICE CALLS WILL BE BILLED TO CUSTOMER AT THE AUTHORIZED SERVICE CENTER’S THEN APPLICABLE TIME AND MATERIALS RATES. CONSIDER: CUSTOMER MAY INITIATE A SERVICE AGREEMENT WITHOUT PARTS COVERAGE.

If shipment of a replacement part is requested prior to the arrival in the Delfield factory of the part claimed to be defective, the Original Purchaser must accept delivery of the replacement part of a C.O.D.

basis, with credit being issued after the part has been received and inspected at Delfield’s plant and determined by Delfield to be within this warranty.

Under no condition does this warranty give the Original Purchaser the right to replace the defective Unit with a complete Unit of the same manufacturer or of another make. Unless authorized by Delfield in writing, this warranty does not permit the replacement of any part, including the motor-compressor, to be made with the part of another make or manufacturer.

No claims can be made under this warranty for spoilage of any products for any reason, including system failure.

The installation contractor shall be responsible for building access, entrance and field conditions to insure sufficient clearance to allow any hood(s), vent(s), or Unit(s) if necessary, to be brought into the building. Delfield will not be responsible for structural changes or damages incurred during installation of the Unit or any exhaust system.

Delfield shall not be liable in any manner for any default or delay in performance hereunder caused by or resulting from any contingency beyond Delfield’s control, including, but not limited to, war, governmental restrictions or restraints, strike, lockouts, injunctions, fire, flood, acts of nature, short or reduced supply of raw materials, or discontinuance of the parts by the original part manufacturer.

Except as provided in any Additional Four Year Protection Plan, if applicable, and the Service Labor Contract, if applicable, the foregoing is exclusive and in lieu of all other warranties, whether written or oral, express or implied. This warranty supersedes and excludes any prior oral or written representations or warranties. Delfield expressly disclaims any implied warranties of merchantability, fitness for a particular purpose of compliance with any law, treaty, rule or regulation relating to the discharge of substances into the environment. The sole and exclusive remedies of any person relating to the Unit, and the full liability of Delfield for any breach of this warranty, will be as provided in this warranty.

Other than this Delfield Standard One Year Limited Warranty, any applicable Delfield Additional Four Year Protection Plan or applicable Delfield Service Labor Contract, the Original Purchaser agrees and acknowledges that no other warranties are offered or provided in connection with or for the unit or any other part thereof.

In no event will Delfield be liable for special, incidental or consequential damages, or for damages in the nature of penalties.

IF DURING THE WARRANTY PERIOD, CUSTOMER USES A PART FOR THIS DELFIELD EQUIPMENT OTHER THAN AN UNMODIFIED NEW OR RECYCLED PART PURCHASED DIRECTLY FROM DELFIELD OR ANY OF ITS AUTHORIZED SERVICE CENTERS AND/OR THE PART BEING USED IS MODIFIED FROM ITS ORIGINAL CONFIGURATION, THIS WARRANTY WILL BE VOID. FURTHER, DELFIELD AND ITS AFFILIATES WILL NOT BE LIABLE FOR ANY CLAIMS DAMAGES OR EXPENSES INCURRED BY THE CUSTOMER WHICH ARISE DIRECTLY OR INDIRECTLY, IN WHOLE OR IN PART, DUE TO THE INSTALLATION OF ANY MODIFIED PART AND/OR PART RECEIVED FROM AN UNAUTHORIZED SERVICE CENTER. If the warranty becomes void, Customer may purchase from Delfield, if available, a Service Agreement or service at the then current time and materials rate.

For more information on Delfield warranty’s log on and check out the service section of our web site at www.delfield.com.

ADDITIONAL FOUR YEAR PROTECTION PLAN (for Motor-Compressor only)

Delfield Model#	Serial #	Installation Date

In addition to the Standard One Year Warranty on the Motor-Compressor contained in the above listed Delfield product (the "Unit"), The Delfield Company ("Delfield") also agrees to repair, or exchange with similar or interchangeable parts in design and capacity at Delfield's option, the defective Motor-Compressor contained in the Unit (the "Motor-Compressor), or any part thereof, for the Original Purchaser only, at any time during the four (4) years following the initial one (1) year period commencing on the date of installation for the Original Purchaser. **Failure of the Original Purchaser to register the registration card containing the Original Purchasers name, address, date of installation, model number and serial number of the Unit containing the Motor-Compressor within 30 days from the date of installation shall void this warranty.** This additional warranty is only available if the Motor-Compressor is inoperative due to defects in material or factory workmanship, as determined by Delfield in its sole judgement and discretion. The Original Purchaser shall be responsible for returning the defective Motor-Compressor to Delfield prepaid, F.O.B. at the address shown on the back cover of this manual.

The term "Original Purchaser" as used herein means that person, firm, association, or corporation for whom the Unit was originally installed.

The term "Motor-Compressor" as used herein does not include unit base, air or water cooled condenser, receiver, electrical accessories such as relay, capacitors, refrigerant controls, or condenser fan/motor assembly. This warranty does not cover labor charges incidental to the replacement of parts. This warranty further does not include any equipment to which said condensing unit is connected, such as cooling coils, temperature controls or refrigerant metering devices. This warranty shall be void if the Motor-Compressor, in Delfield's sole judgement, has been subjected to misuse, neglect, alteration or accident, operated contrary to the recommendations specified by the Unit manufacturer, repaired or altered by anyone other than Delfield in any way so as, in Delfield's sole judgment, to affect its quality or efficiency or if the serial number has been altered, defaced or removed. This Warranty does not apply to a Motor-Compressor in any Unit that has been moved from the location where it was originally installed. The addition of methyl chloride to the condensing unit or refrigeration system shall void this warranty.

General Conditions

Delfield shall not be liable in any manner for any default or delay in performance hereunder caused by or resulting from any contingency beyond Delfield's control, including, but not limited to, war, governmental restrictions or restraints, strike, lockouts, injunctions, fire, flood, acts of nature, short or reduced supply of raw materials, or discontinuance of any part or the Motor-Compressor by the unit manufacturer.

Replacement of a defective Motor-Compressor is limited to one (1) Motor-Compressor by us during the four (4) year period. Delfield shall replace the Motor-Compressor at no charge.

This warranty does not give the Original Purchaser of the Motor-Compressor the right to purchase a complete replacement Motor-Compressor of the same make or of another make. It further does not permit the replacement to be made with a Motor-Compressor of another kind unless authorized by Delfield. In the event Delfield authorizes the Original Purchaser to purchase a replacement Motor-Compressor locally, only the wholesale cost of the Motor-Compressor is refundable.

Expressly excluded from this warranty are damages resulting from spoilage of goods.

Except as provided in any applicable Standard One Year Limited Warranty or applicable Service Labor Contract, the foregoing is exclusive and in lieu of all other warranties, whether written or oral, express or implied. This Warranty supersedes and excludes any prior oral or written representations or warranties. Delfield expressly disclaims any implied warranties of merchantability, fitness for a particular purpose or compliance with any law, treaty, rule or regulation relating to the Motor-Compressor, and the full liability of Delfield for any breach of this warranty, will be as provided in this warranty.

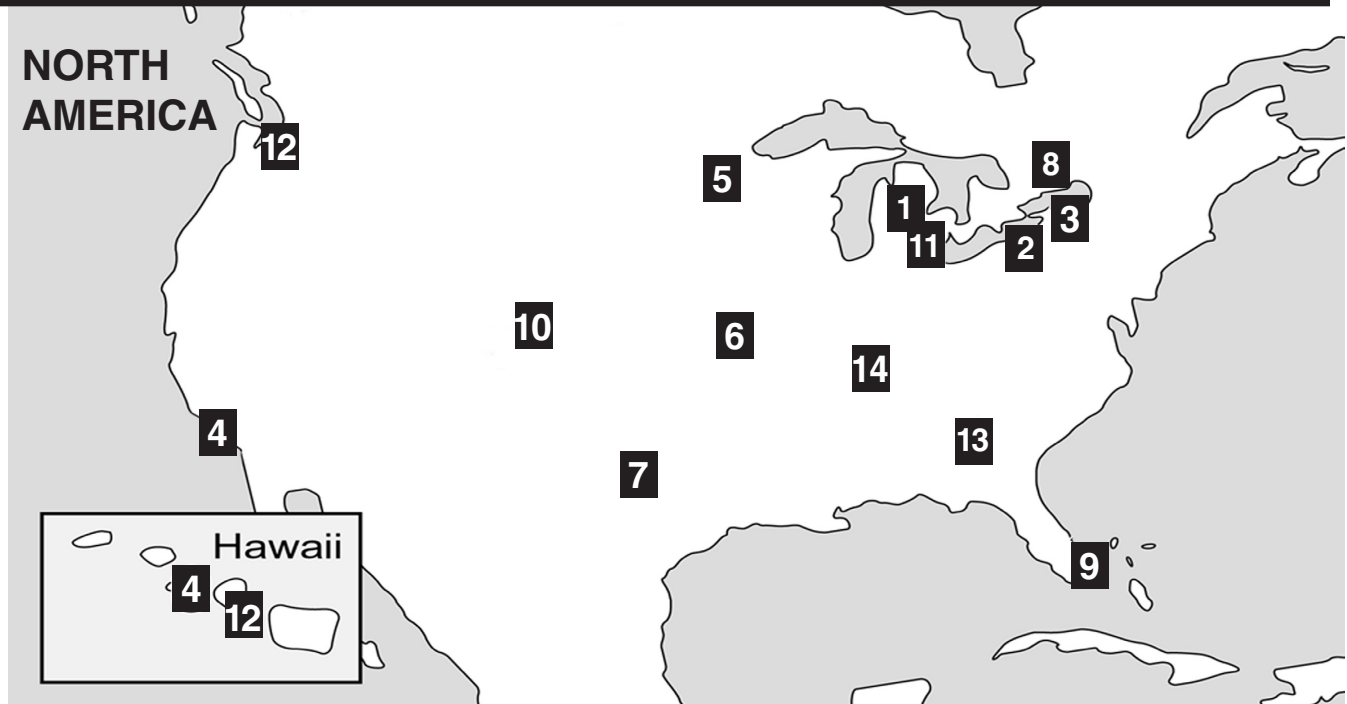
Other than any applicable Delfield Standard One year Limited Warranty, this Delfield Additional Four Year Protection Plan and any applicable Delfield Service Labor Contract, the Original Purchaser agrees and acknowledges that no other warranties are offered or provided in connection with or for the Motor-Compressor or any part thereof.

In no event will Delfield be liable for special, incidental or consequential damages, or for damages in the nature of penalties.



NOTES:

AUTHORIZED PARTS DEPOTS



<p>1) The Delfield Company</p> <p>980 South Isabella Road Mt. Pleasant, MI 48858 800.733.8829 989.773.7981 989.773.3210 FAX custom parts direct from Delfield</p>	<p>2) A.I.S. Commercial Parts & Service</p> <p>1816 West 26th Street Erie, PA 16508-1149 800.332.3732 814.456.3732 814.452.4843 FAX serves: MD, NJ, OH, PA, VA, WV</p>	<p>3) Appliance Installation Service</p> <p>1336 Main Street Buffalo, NY 14209 800.722.1252 716.884.7425 716. 884.0410 FAX serves: CT, DC, DE, MA, MD, ME, NH, NJ, NY, PA, RI, VA, VT, WV</p>	<p>4) Pacific Coast Parts</p> <p>15024 Staff Court Gardena, CA 90248 1.800.531.1111 1.800.782.5747 Email: orders@pacparts.com www.pacparts.com serves: AZ, CA, HI, NV, OR</p>
<p>5) Contract Ice</p> <p>14450 Ewing Ave S. #100 Burnsville, MN 55306 800.422.2823 952.894.4427 952.894.2164 FAX serves: IA, MN, MT, ND, SD, WI</p>	<p>6) E.M.C.O. Sales & Distributors</p> <p>3909 St. Timothy Lane St. Ann, MO 63074 800.972.7670 314.427.7477 314. 427.8190 FAX serves: AR, IA, IL, KS, KY, MO, NE, OK, TX, NM, LA</p>	<p>7) Stove Parts Supply/GCS Service</p> <p>2120 Solona St. PO Box 14009 Fort Worth, TX 76117-0009 1.800.433.1804 toll free 1.800.272.7358 fax serves: AR, LA, NM, OK, TX</p>	<p>8) Garland Group</p> <p>1177 Kamato Road Mississauga, Ontario L4W1X4 800.427.6668 800.361.7745 FAX serves: Canada</p>
<p>9) Global Parts and Supplies</p> <p>2920 N.W. 109th Avenue Miami, FL 33172 305.994.9994 305.994.9992 FAX International parts depot</p>	<p>10) Hawkins Commercial Appl. Serv.</p> <p>3000 S. Wyandot Englewood, CO 80110 (800) 624-2117 (303) 7618861 FAX serves: AZ, CO, KS, NE, NM, OK, UT, WY</p>	<p>11) MicroDine, Inc.</p> <p>44792 Helm Plymouth, MI 48170 888.828.4454 734.451.2043 734.451.3215 FAX serves: MI, IN, WI, OH</p>	<p>12) Performance Refrigeration Parts</p> <p>9923 S.W. 178th St. Vashon, WA 98070 888.872.2465 206-463-1772 206.463.4431 FAX serves: AK, HI, ID, MT, OR, WA</p>
<p>13) Southeastern Restaurant Services</p> <p>2200 Norcross Parkway, Suite 210 Atlanta, GA 30071 800.235.6516 770.446.6177 770.446.3157 FAX serves: FL, GA, MS, NC, SC, VA</p>	<p>14) T.M.A.</p> <p>2916 Sidco Drive Nashville, TN 37204 615.726.0351 800.737.0351 615.259.4100 FAX serves: TN, AL</p>	<p>Delfield has 14 conveniently located Parts Depots to ensure parts are handled promptly and accurately.</p> <p>Delfield reserves the right to update or make changes to this list without prior notice</p> <p>Please call 1-800-733-8829 or check the web at www.delfield.com for a list of the current Parts Depots.</p>	



980 S. Isabella Rd., Mt. Pleasant, MI 48804-0470, U.S.A. • (989) 773-7981 or (800) 733-8821 • Fax (800) 669-0619 • www.delfield.com
Delfield reserves the right to make changes in design or specifications without prior notice. 2003 The Delfield Company. All rights reserved. Printed in the U.S.A.