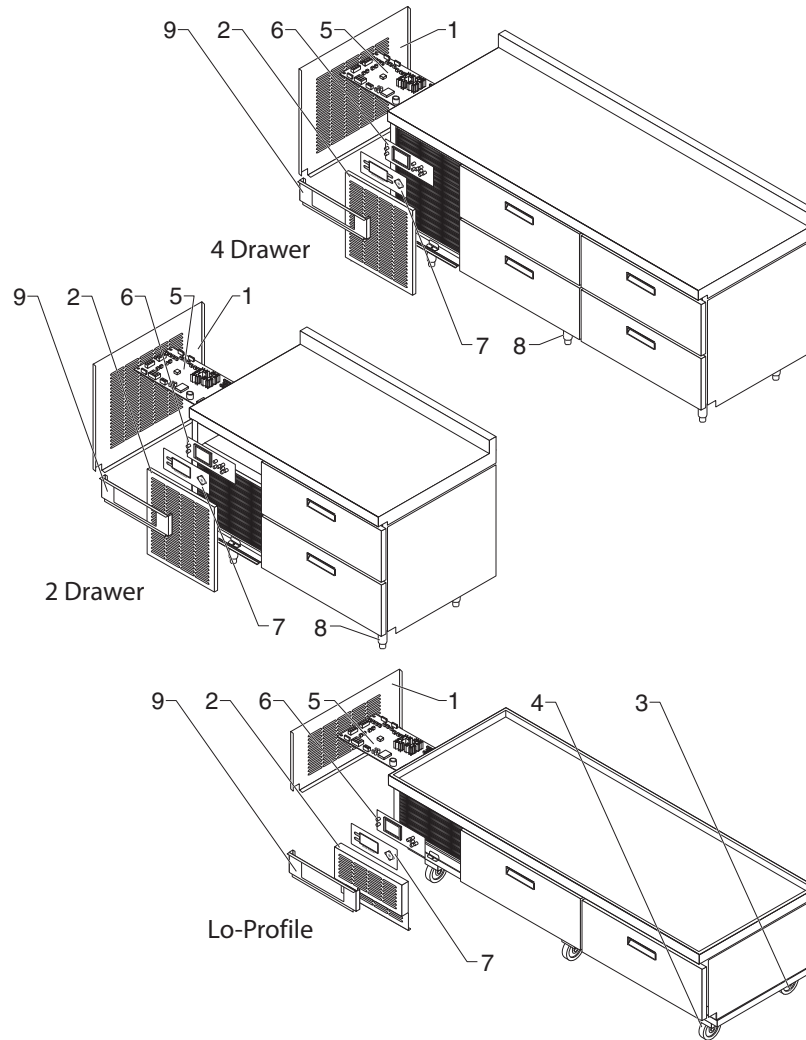


# Versa Drawer Refrigeration Units

## Parts List

Versa Drawer Assemblies.....	2
4-Drawer Machine Compartment Assembly.....	3
2-Drawer Machine Compartment Assembly.....	4
Lo-Profile Machine Compartment Assembly .....	5
Evaporator Assembly.....	6
Drawer Assembly.....	7
Control Parts.....	7

# Versa Drawer Assemblies

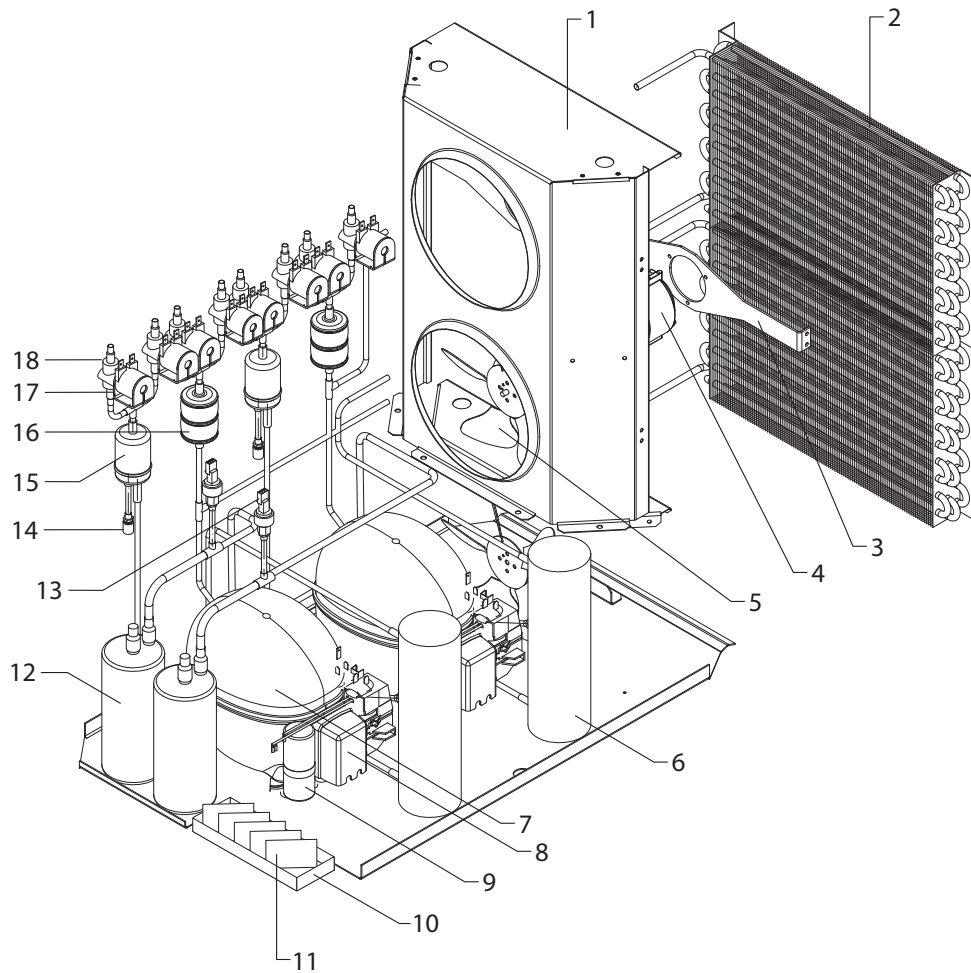


Key	Description	Part Number	Qty						
			Lo-Profile		2 Drawer		4 Drawer		
			Free Standing	MK7	Free Standing	MK7	Free Standing	MK7	
1	Louvered Access Panel (F18VD50 & F18VD82)	223-BET-0034				1		1	
	Louvered Access Panel (F17VD84)	223-BET-0040		1					
	Louvered Access Panel (18650VDLI & 18682VDL)	272-AW8-0031			1		1		
	Louvered Access Panel (18650VDR & 18682VDR)	272-AW7-0032			1		1		
	Louvered Access Panel (F2982VDL)	221-AM9-0030	1						
	Louvered Access Panel (F2982VDR)	221-AMA-0031	1						
2	Front Louvered Panel	356-478-003H	1	1					
	Front Louvered Panel	356-478-003F			1	1			
	Front Louvered Panel	272-478-003G					1	1	
3	Caster 5"	3234198	3		2 [A]		3 [A]		
4	Caster 5" W/Brake	3234199	3		2 [A]		3 [A]		
5	Control Board, Electric I/O (units built after 1-23-14)	000-CZ0-003K	1	1	1	1	1	1	
	Kit, Control & I/O Board (units built before 1-23-14)	000-CQM-0004							
6	Control Board, Display (units built after 1-23-14)	000-CZ0-003P	1	1	1	1	1	1	
	Kit, Control & I/O Board (units built before 1-23-14)	000-CQM-0004							
7	Control Overlay	9292172	1	1	1	1	1	1	
	Control Overlay	9292173							
8	6" Legs	3234645		6 [A]		4 [B]		6 [A]	
9	Display Board S/S Cover	221-BET-0035	1	1	1	1	1	1	

NOTE: [A] Optional On F18VD Series.

NOTE: [B] Optional On 18600VD Series.

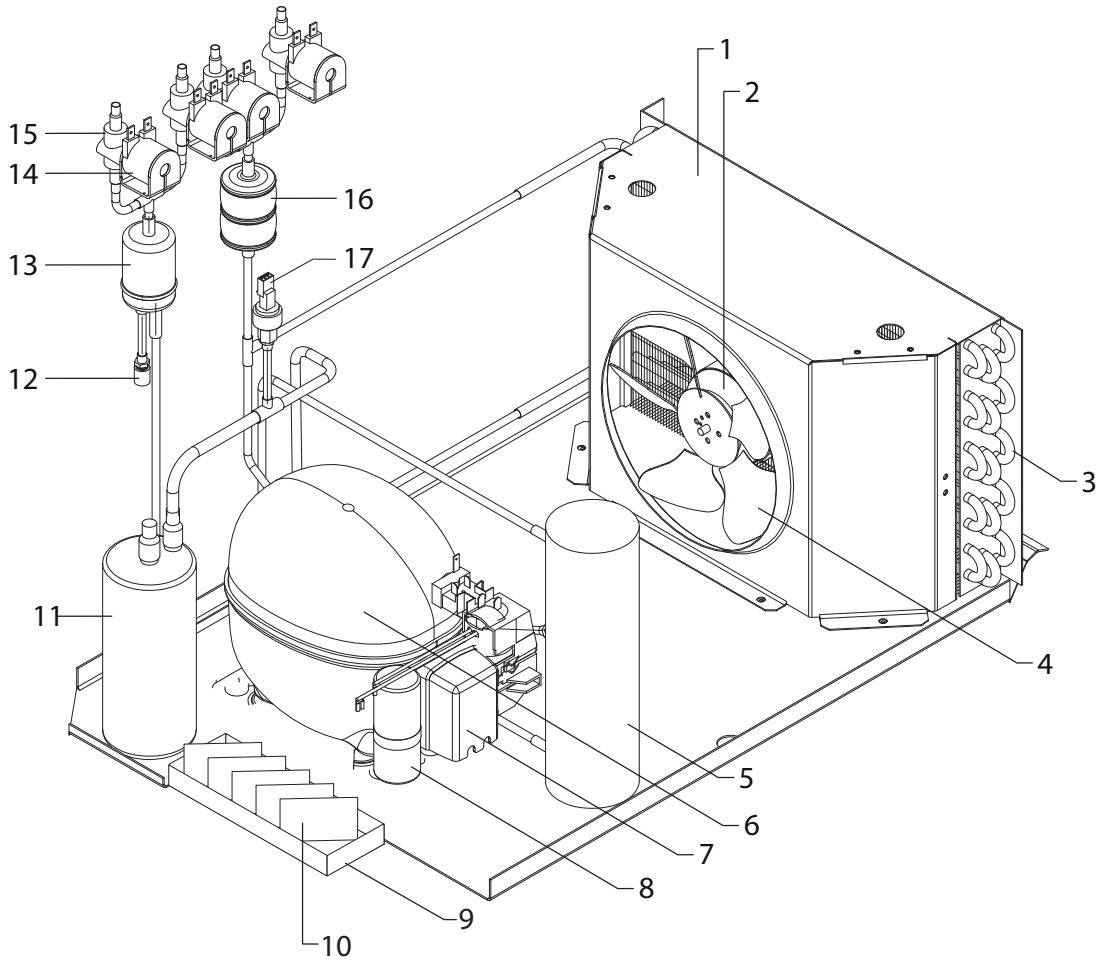
## 4-Drawer Machine Compartment Assembly



Key	Description	Part Number	Note
1	Condenser Cover	026-C20-0031	
2	Condenser Coil	3516401	
3	Condenser Fan Bracket	022-A9Y-0030	
4	Condenser Fan Motor	2162717	
	Condenser Fan Motor, 230-240V	2162720	
5	Condenser Fan Blade	3516405	
6	Receiver Tank	3516657	[C]
7	Compressor, 115V/60Hz	3527000	
	Compressor, 230-240V	3527009	
8	Relay, 115V/60Hz	3516438	
9	Start Capacitor, 115V/60Hz	2194788	
10	Condensate Evaporator Wick Holder	019-261-0031	
11	Condensate Wick	3516138	
12	Accumulator	3516397	
13	Pressure Transducer	000-BLR-001L	
14	Access Valve	3547639	
15	Filter Dryer	3516322	
17	Solenoid Coil	3516472	
	Solenoid Coil, 230-240V	3516473	
18	Solenoid Valve	3516474	
-	Temperature Sensor	3516403	
-	EMI Filter, 230-240V	2194963	

**NOTE:** [C] Re-piping may be required for installation.

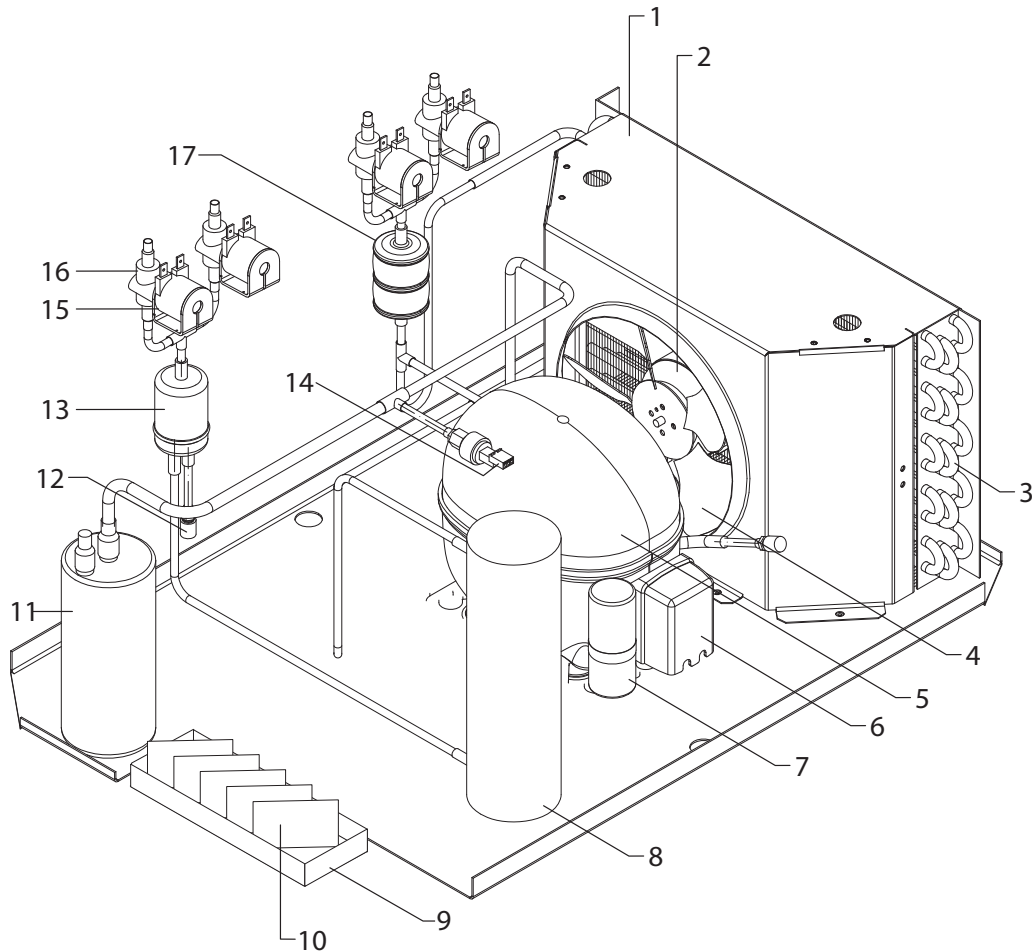
## 2-Drawer Machine Compartment Assembly



Key	Description	Part Number	Note
1	Condenser Cover	026-C20-0030	
2	Condenser Fan Motor	2162717	
	Condenser Fan Motor, 230-240V	2162720	
3	Condenser Coil	3516401	
4	Condenser Fan Blade	3516405	
5	Receiver Tank	3516657	[C]
6	Compressor, 115V/60Hz	3527000	
	Compressor, 230-240V	3527009	
7	Relay, 115V/60Hz	3516438	
8	Start Capacitor, 115V/60Hz	2194788	
9	Condensate Evap Wick Holder	019-261-0030	
10	Condensate Wick	3516138	
11	Accumulator	3516397	
12	Access Valve	3547639	
13	Filter Dryer	3516322	
14	Solenoid Coil	3516472	
	Solenoid Coil, 230-240V	3516473	
15	Solenoid Valve	3516474	
16	Filter Dryer	3516101	
17	Pressure Transducer	000-BLR-001L	
-	Condenser Fan Bracket	022-A9Y-0030	
-	Temperature Sensor	3516403	

**NOTE:** [C] Re-piping may be required for installation.

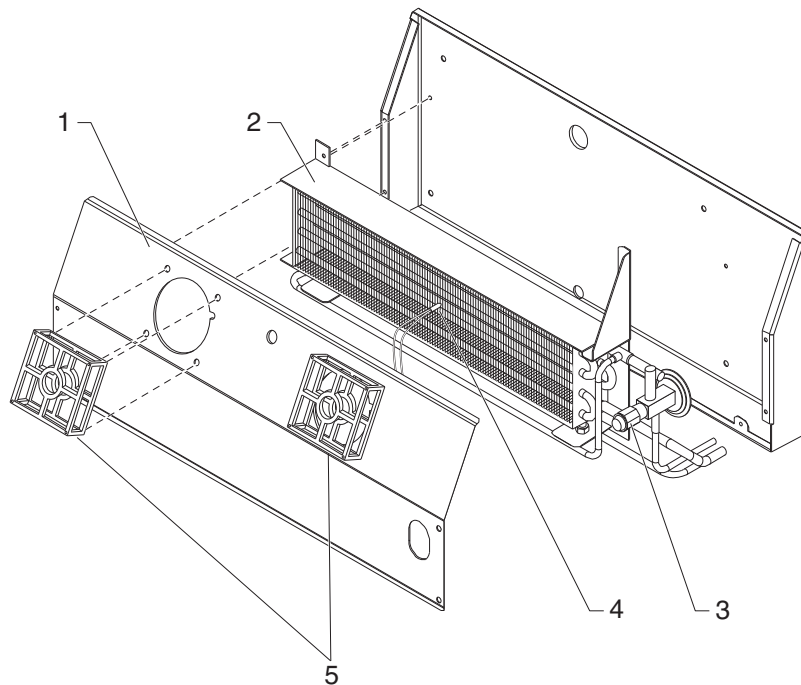
# Lo-Profile Machine Compartment Assembly



Key	Description	Part Number	Note
1	Condenser Cover	026-C20-0030	
2	Condenser Fan Motor	2162717	
	Condenser Fan Motor, 230-240V	2162720	
3	Condenser Coil	3516401	
4	Condenser Fan Blade	3516405	
5	Compressor, 115V/60Hz	3527000	
	Compressor, 230-240V	3527009	
6	Relay, 115V/60Hz	3516438	
7	Start Capacitor, 115V/60Hz	2194788	
8	Receiver Tank	3516657	[C]
9	Condensate Evap Wick Holder	019-261-0030	
10	Condensate Wick	3516138	
11	Accumulator	3516397	
12	Access Valve	3547639	
13	Filter Dryer	3516322	
14	Pressure Transducer	000-BLR-001L	
15	Solenoid Coil	3516472	
	Solenoid Coil, 230-240V	3516473	
16	Solenoid Valve	3516474	
17	Filter Dryer	3516101	
-	Condenser Fan Bracket	022-A9Y-0030	
-	Temperature Sensor	3516403	

**NOTE:** [C] Re-piping may be required for installation.

# Evaporator Assembly



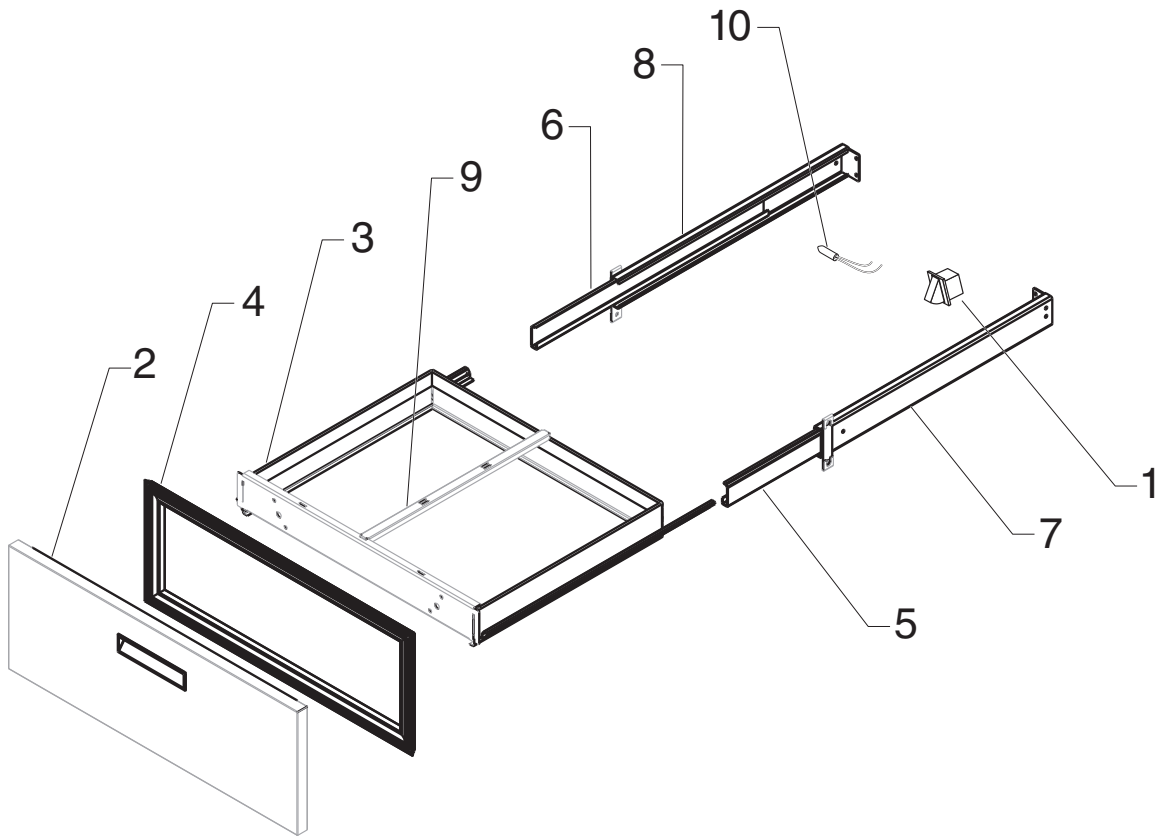
## Use With Models Serial Number 1407150002672 & Later

Key	Description	Part Number
-	Complete Evaporator Assembly	000-C1X-0030
1	Coil Assembly Cover	226-C1Y-0030
2	Evaporator Coil	3516400
3	Expansion Valve	3516396
4	Temperature Sensor	3516403
5	Evaporator Fan Motor/Blade Assembly	2194367

## Use With Models Before Serial Number 1407150002672

Key	Description	Part Number
-	Complete Evaporator Assembly	000-C1X-0001
1	Coil Assembly Cover	226-C1Y-0006
2	Evaporator Coil	3516400
3	Expansion Valve	3516396
4	Temperature Sensor	3516403
5	Evaporator Fan Motor/Blade Assembly	2193993

## Drawer Assembly



Key	Description	Part Number
1	Drawer Switch For Fan	2194550
2	Drawer Front Assembly	000-328-003U
3	Drawer Box Assembly	000-333-004F
4	Drawer Gasket	1702812
5	Intermediate Profile - Reg Extension - Rh	3234949
6	Intermediate Profile - Reg Extension - Lh	3234948
7	Outer Profile - Rh	3234930
8	Outer Profile - Lh	3234929
9	Divider Bar	372-018-003J
10	Temperature Sensor	3516403

## Control Parts

Description	Part Number	Quantity		
		Lo-Profile	2 Drawer	4 Drawer
Harness, Brd-Ctr, Vs	2183842	1	1	1
Harness, Low Voltage	2183838		1	
Harness, Low Voltage	2183839	1		1
Harness, Machine Compartment	2183840		1	
Harness, Machine Compartment	2183841	1		1



1-844-724-CARE • [www.mtwkitchencare.com](http://www.mtwkitchencare.com)