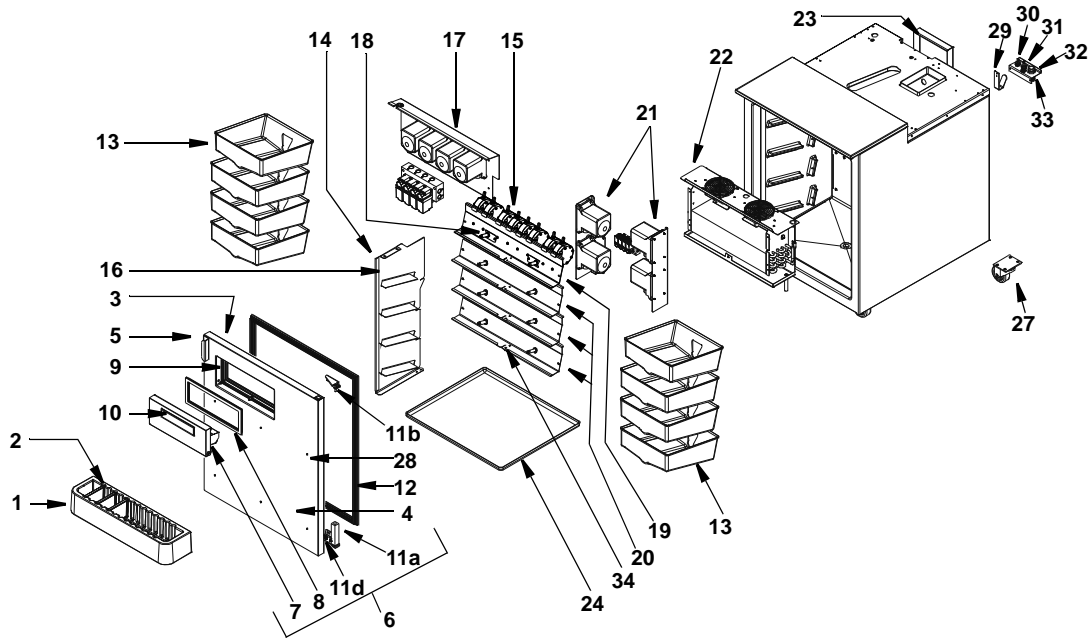




Parts List for BIM Models

MS-8-1H	MS-8-FH
MS-8-1LH	MS-8-FLH
MS-8-EH	MS-8-BH
MS-8-ELH	MS-8-BLH
MS-8-AH	MS-8-CH
MS-8-ALH	MS-8-CLH

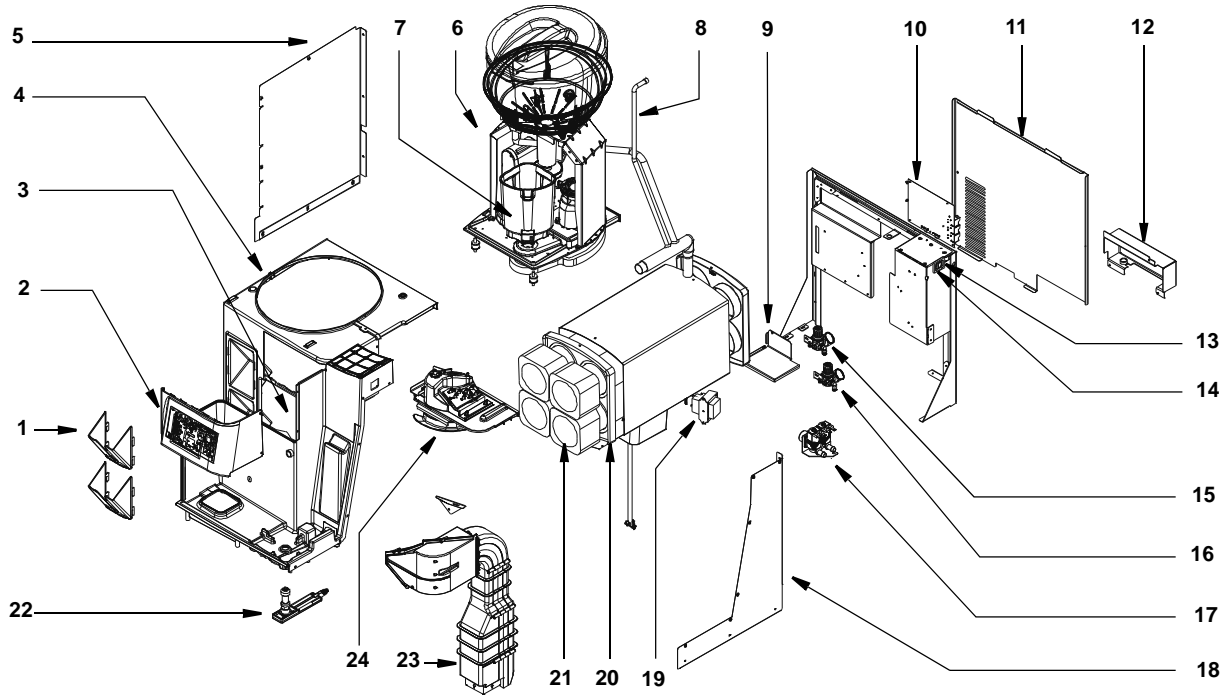
CABINET & DOOR



DESCRIPTION

		PART NO.
1	Syrup Rack	1706194
2	Syrup Rack Divider	1706195
3	Door Liner	
a.	Standard Door	1708534
b.	With Whip Cream Door	1706207
c.	With Whip Cream Door (Models MS-8-CH, MS-8-CLH, MS-8-EH, MS-8-ELH)	1708567
4	Door Front	
a.	Standard Door	272-024-000B
b.	With Whip Cream Door - Right Hinge	272-024-0007
c.	With Whip Cream Door - Right Hinge (Models MS-8-CH, MS-8-CLH, MS-8-EH, MS-8-ELH)	272-024-000C
d.	With Whip Cream Door - Left Hinge	272-024-0009
e.	With Whip Cream Door - Left Hinge (Models MS-8-CH, MS-8-CLH, MS-8-EH, MS-8-ELH)	272-024-000E
5	Handle	
a.	Plate (Right or Left)	024-CEL-0001
b.	Handle, S/S (Right or Left)	372-428-0007
6	Complete Door Assemblies	
a.	Standard Door - Right Hinge	000-187-0019
b.	With Whip Cream Door - Right Hinge	000-187-0014
c.	With Whip Cream Door - Right Hinge (Models MS-8-CH, MS-8-CLH, MS-8-EH, MS-8-ELH)	000-187-000A
d.	With Whip Cream Door - Left Hinge	000-187-0018
e.	With Whip Cream Door - Left Hinge (Models MS-8-CH, MS-8-CLH, MS-8-EH, MS-8-ELH)	000-187-000C
7	Whip Cream Door	
a.	Standard Size	000-187-0016
b.	Large Door (Models MS-8-CH, MS-8-CLH, MS-8-EH, MS-8-ELH)	000-187-000B
8	Whip Cream Door Gasket	
a.	Standard Size	1706209
b.	Large Door (Models MS-8-CH, MS-8-CLH, MS-8-EH, MS-8-ELH)	1708568
9	Whip Cream Door Insert	1706191
10	Whip Cream Door Handle, All Models	3234255
11	Hinge Kit	RF000066
a.	Concealed Cart. Hinge	3237516
b.	Top Right-Hand Pivot Bracket	3234228
c.	Top Left-Hand Pivot Bracket	3234229
d.	Bottom Right-Hand Hinge Bracket	3234226
e.	Bottom Left-Hand Hinge Bracket	3234227
12	Door Gasket	1706208
13	Horizontal Product Bin	1706268
14	Bin Ctn. Support	270-CI5-0000
15	Expansion Valve, Product, Beverage	3239690
16	Bin Support Plate	270-CI6-0000
17	Top Valve & Pump Assembly (See Page 6)	000-CDS-0005
18	Product to Pump Fitting	3547808
19	Product Stop Shelf, Top, with Expansion Valve Mount	372-CDY-0030
20	Product Stop Shelf	372-CDY-0003
21	Lower Valve & Pump Assembly (See Page 6)	000-CDS-0006
22	Evaporator Coil Assembly (See Page 7)	
a.	115V/60 Model 1H	000-CD0-0000
b.	220V/50 Models AH, BH, CH & EH	000-CD0-0001
23	Refrigerator Lines Back Cover	028-CCZ-0000
24	Product Drip Pan	076-CDZ-0000
25	17.0 Oetiker Clamp, for 1/2" OD Tubing (Not shown)	9324097
26	Clear Tubing, 9/16" OD x 5/16" ID (Not shown)	1702023
27	Castor, 3" Diameter, Plate, Swivel, Brake, Polyolefin	MCP00175
Miscellaneous – Brackets, Screws, etc.		
28	Syrup Rail Mounting Screws	9324085
29	Small Shy Cord Hook Bracket	263-428-0000
30	Barbed Male Coupling, 1/4"	3237385
31	Barbed Female Coupling, 1/4"	3237375
32	Barbed Coupling, 1"	3547778
33	Fitting Bracket	270-CDU-0002
34	Chrome Plated Acorn Nut, #10-24	9321041

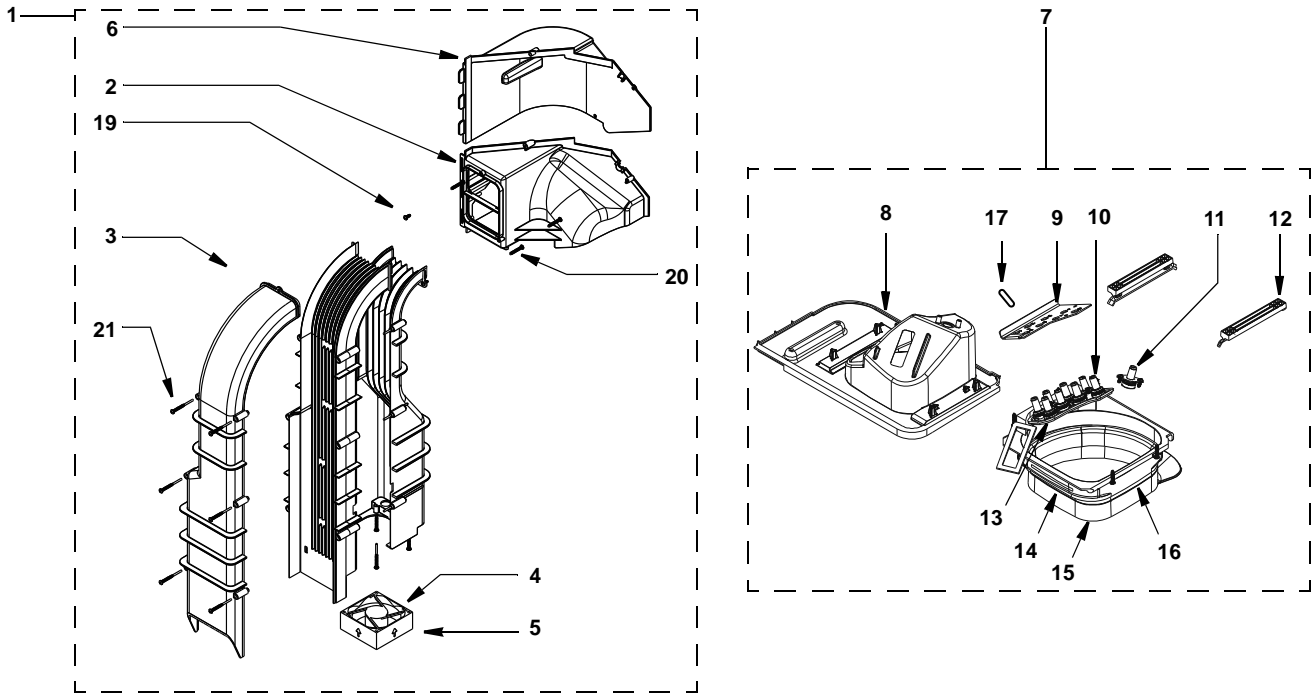
TOP ASSEMBLY



DESCRIPTION

		PART NO.
1	Lid Dispenser Bracket	1706142
2	UIB Display Assembly	2195107
3	Top Front Panel	1706159
4	Top Ice Bin Cover	1706145
5	Outer Side Panel	359-CCJ-0002
6	Sandwich Mount, 1/4-20	9324078
7	Outlet Blender Gasket	1706221
8	Dipped Drain Tube	1706218
9	Upper Electric Box Cover	027-CCZ-0002
10	I/O Control Board	2195110
11	Back Upper Panel	359-CCZ-0001
12	Inlet Back Cover	265-BZZ-0001
13	BIDM Switch Gasket	1706262
14	ON/OFF 20A, 6000 Rocker Switch	2194400
15	Water Pressure Regulator	3547784
16	CO ₂ Water Regulator	3547785
17	Double Water Solenoid Valve, 1/4"	3547828
18	Upper Right Panel	359-CCJ-0003
19	Transformer	
	a. Model MS-8-1H (120V/24V)	2195105
	b. Models MS-8-AH, MS-8-BH, MS-8-CH & MS-8-EH (220V/24V)	2195102
20	Rinse Pitcher Bracket	1706126
21	Cup Dispenser Assembly (Complete with 4 dispensers)	000-BIC-0007
	a. Single Adjustable Cylinder Housing - Black	1706372
	b. Single Adjustable Cylinder Housing - Gray	1706175
22	PTC Fitting, 1/8" MPT to 1/4"	3547773
23	Product Tube Duct Assembly (See Page 4)	000-BIC-0003
24	Complete Duct Outlet Assembly (See Page 4)	000-BIC-0002
25	10.5 Oetiker Clamp, for 3/8" OD Tubing (Not shown)	9324095
26	17.0 Oetiker Clamp, for 1/2" OD Tubing (Not shown)	9324097
27	34.6 Oetiker Clamp, Drain Hose (Not shown)	9324098
28	38.1 Oetiker Clamp, Rinse Hose (Not shown)	9324099
29	22.6 Oetiker Clamp, Ice Bowl Drain Hose (Not shown)	9324100
30	Barbed Coupling, 1/4" Stem x 1/4" (Not shown)	3547832
31	Barbed Coupling, 1/4" Stem x 5/16" (Not shown)	3547779
32	Cup Dispenser (Not shown)	1706175
33	WYE Fitting, 1/4" PTC (Not shown)	3237378
34	Fitting, 3/4" Hose to 3/8" PTC (Not shown)	3547788
35	I/O Board Ceramic HT Fuse, 5A	2195313
36	Nozzle Block Gasket (Not shown)	1706183
37	Rinse Area Spray Nozzle (Not shown)	3547765
38	Side Splash Guard (Not shown)	
	a. Models MS-8-1H & MS-8-AH	000-BIC-001G
	b. Models MS-8-BH, MS-8-CH & MS-8-EH	272-BZZ-0002
39	Manual Rinse Switch (Not shown)	2162731
40	Clear Blue Tubing, 3/8" OD x 1/4" ID (Not shown)	1702022
41	Clear Tubing, 1/2" OD (Not shown)	1702023
Miscellaneous – Brackets, Screws, etc.		
42	Nut, .25-20 (Not shown)	9321035
43	Clip-On J-Style Nut (Not shown)	9324084

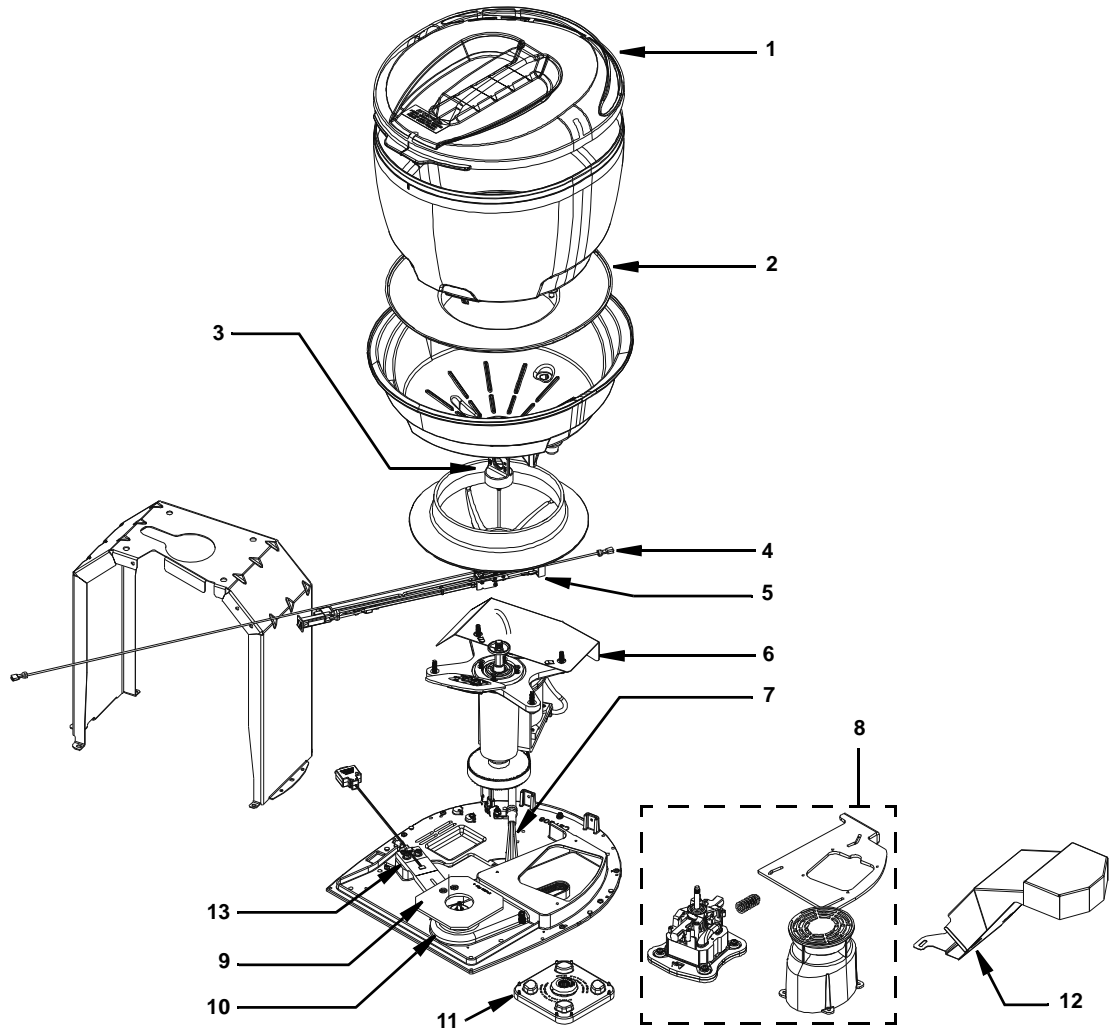
AIR / PRODUCT DUCT ASSEMBLY & DISPENSE PLATE



DESCRIPTION

DESCRIPTION	PART NO.
1 Complete Product Tube Duct Assembly	000-BIC-0003
2 Trunk Line Bracket, Top	1706162
3 Duct Assembly	1708580
4 Fan, Axial, 80 x 80 x 32	2162730
5 Wire Fan Guard 3-1/8"	3978124
6 Trunk Line Cover, Top	1706167
7 Complete Duct Outlet Assembly.	000-BIC-0002
8 Dispense Manifold Cover	1706148
9 Dispenser Head Bracket	270-CCQ-0006
10 LMS Dispense Outlet Valve	1706172
11 Ambient H ₂ O Plate	372-CCQ-0009
12 Splash Retainer Rail	1706202
13 Tube Block	1706166
14 Upper Inner Splash Bracket	1706200
15 Lower Inner Splash Bracket	1706284
16 Pitcher Outer Splash Bracket	1706281
17 BIDM Duct Thermistor Temperature Probe	2195126
18 Splash Shield Assembly (Not shown)	000-BIC-0010-S
Miscellaneous – Brackets, Screws, etc.	
19 Screw, Hi-Low, #8 x .375"	9324088
20 Screw, Hi-Low, #8 x 1.00"	9324090
21 Screw, Hi-Low, #8 x 1.75"	9324091
22 Tubing, 9/16 OD x 5/16 ID, clear (56")	1702023
23 17.0 Oetiker Clamp, for 1/2" OD Product Tubing (Not shown)	9324097

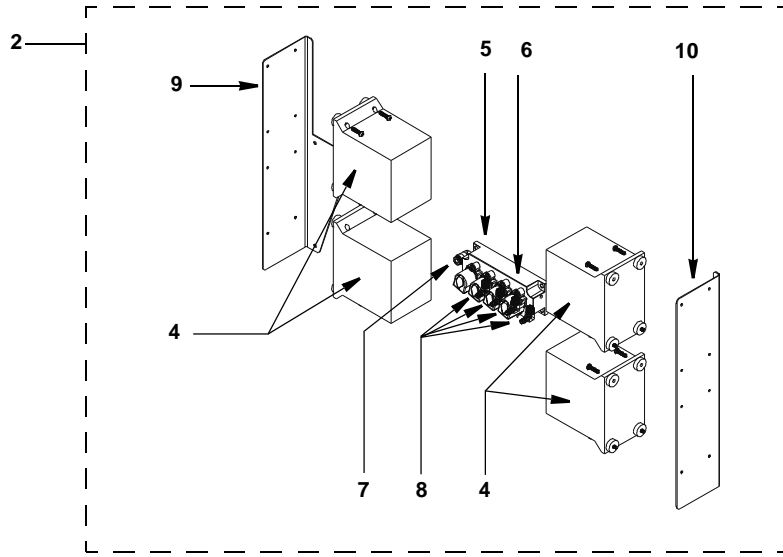
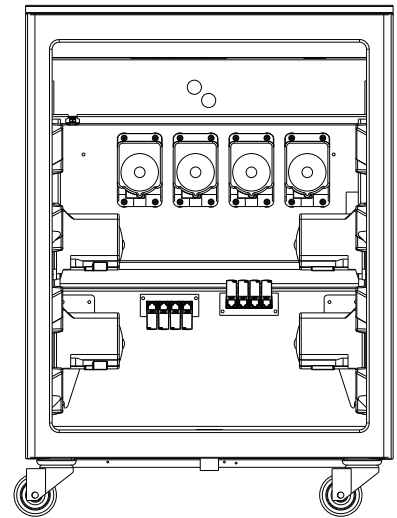
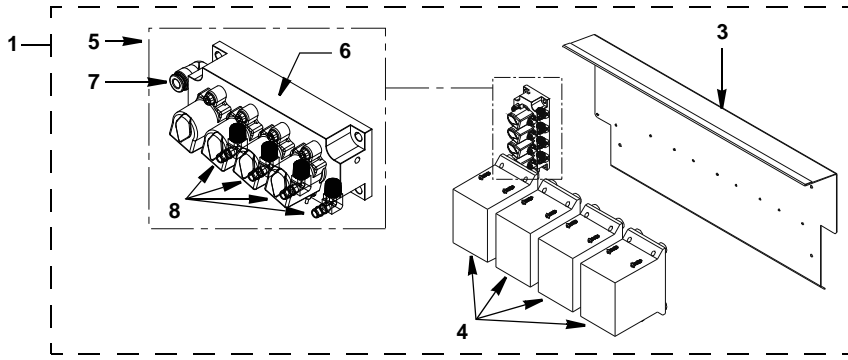
ICE HOPPER ASSEMBLY



DESCRIPTION

DESCRIPTION	PART NO.
1 Ice Bin Lid	VMP00133
2 PBS Ice Shelf	VMP00106
3 Paddle Nut	VMP00107
4 Safety Interlock Push Rod	VMP00134
5 Rectifier Harness with Safety Switch	VMP00113
6 Shaver Blade Kit	
a. Models MS-8-1H & MS-8-AH, Kit with Shims	VMP00125
b. MS-8-BH, MS-8-CH & MS-8-EH, Shims	VMP00149
c. MS-8-BH, MS-8-CH & MS-8-EH, Double Blade Assembly	VMP00150
7 Power Cord	VMP00121
8 Blender Motor Assembly	VMP00148
9 Container Base Plate	VMP00153
10 Blender Drive Belt	VMP00124
11 PBS Container Pad	VMP00130
12 Blender Control Board Assembly with Cables	VMP00122
13 Scale Beam	VMP00114
14 Blending Container with Blades (Not shown)	
a. Model MS-8-1H	3239676
b. Model MS-8-AH	3237674
c. Models MS-8-BH, MS-8-CH & MS-8-EH	3239670
15 Blending Container Only (Not shown)	
a. Model MS-8-1H	VMP00139
b. Models MS-8-AH, MS-8-BH, MS-8-CH & MS-8-EH	VMP00151
16 Beam to VM Cable (Not shown)	VMP00138
17 Chain Acct Repair Kit (Not shown)	VMP00135
18 Circuit Breaker (Not shown)	
a. Model MS-8-1H	VMP00112
b. Models MS-8-AH, MS-8-BH, MS-8-CH & MS-8-EH	VMP00145
19 Container Wrench (included in VMP00135) (Not shown)	VMP00131
20 Shaver Drive Belt (Not shown)	VMP00123
21 Drive Socket Assembly, Motor Shaft Insert (Not shown)	VMP00167
22 Ice Bin Gasket (Not shown)	VMP00158
23 Ice Bin Grommet, 3 pack (Not shown)	VMP00109
24 BIM VM Bowl Insulation (Not shown)	3437393
25 PBS Centering Tool (Not shown)	VMP00136
26 Shaver, Blender, Vita-Mix, Inserted Socket (Not shown)	3239694
27 Shaver, Blender, Vita-Mix, Inserted Socket, 50HZ (Not shown)	3239695

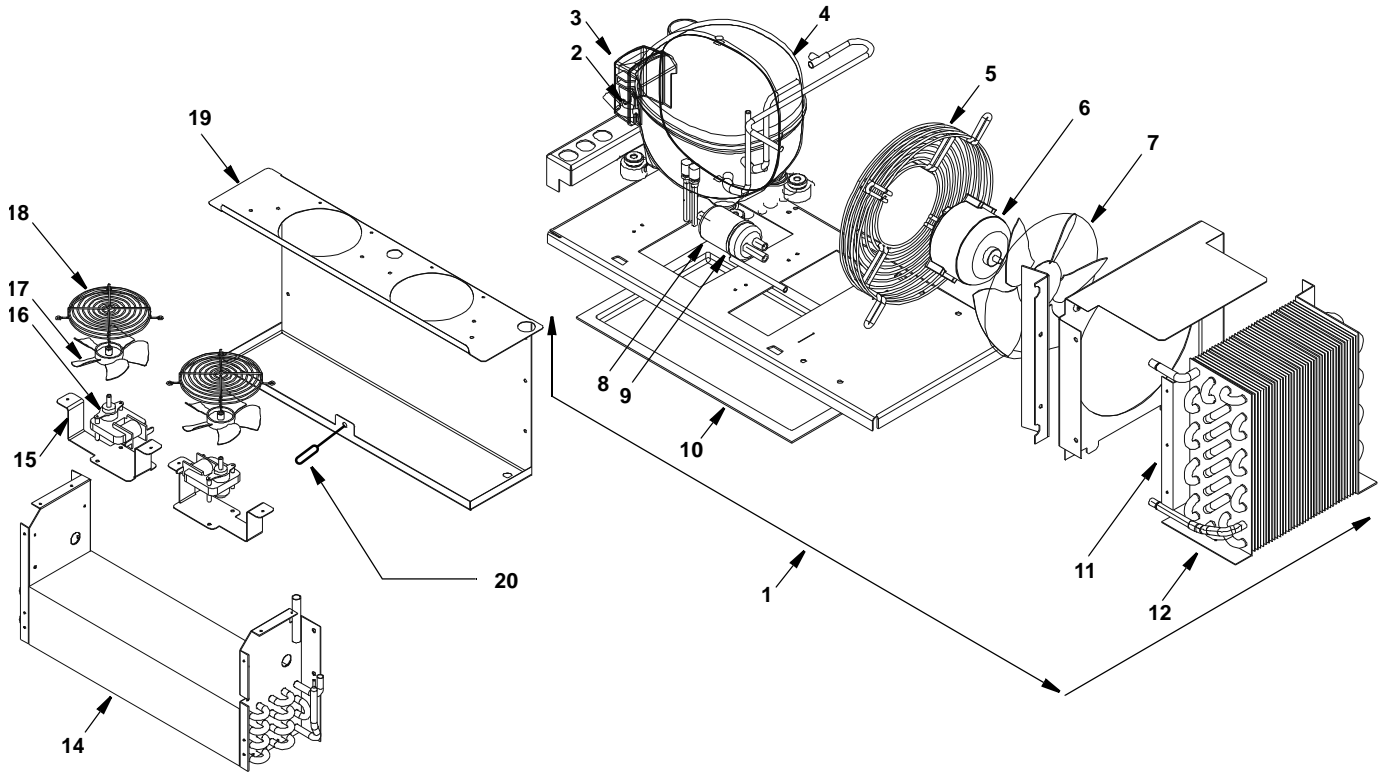
UPPER & LOWER VALVE / PUMP ASSEMBLIES



DESCRIPTION

	DESCRIPTION	PART NO.
1	Complete Top Valve & Pump Assembly	000-CDS-0005
2	Complete Lower Valve & Pump Assembly	000-CDS-0006
3	Cover, Evaporator	380-CD5-0003
4	Pump Assembly Kit	000-BIC-001K
	a. Pump, Flojet	3239675
	b. Pump Restrictor, White	3239680
5	Solenoid Valve Assembly	000-CE1-0000
6	4 Position Solenoid, Large Exhaust.	3239691
7	Fitting, 1/4" x 1/8", 90, MPT TO P-T-C.	3547767
8	Fitting, 1/8" NPT x 1/4" Barb, 90D	3237379
9	Fixture, Pump, Lower, Left-Hand	380-CDW-0005
10	Fixture, Pump, Right-Hand, Lower	380-CDW-0006
Miscellaneous – Brackets, Screws, etc.		
11	10.5 Oetiker Clamp, for 3/8" OD Tubing (Not shown)	9324095
12	Screw, #8-32 x 3/4", S-P-PN-F (Not shown)	9324104
13	CO ₂ Tubing, 3/8" OD x 1/4" ID, Clear Blue (Not shown)	1702022

LOWER CABINET CONDENSING UNIT & EVAPORATOR COIL



DESCRIPTION	PART NO.
Condensing Unit	
1 Condensing Unit Assembly	
a. R-404A 115V/60hz (Models MS-8-1H)	000-BN5-0004
b. R-404A 220V/50hz (Models MS-8-AH & MS-8-EH)	000-BN5-0006
c. R-404A 220V/60hz (Models MS-8-BH & MS-8-BLH)	000-BN5-000A
d. R-290 220V/50hz (Models MS-8-CH & MS-8-CLH)	000-BN5-0047
2 Compressor Relay	
a. 115V - Danfoss TF4CLX (Models MS-8-1H)	3516446
b. 220V - Danfoss N225 (Models MS-8-AH & MS-8-EH)	3516452
3 Danfoss Small Cover Comp	
a. (1H)	3516443
b. (AH & EH)	3516460
4 Start Capacitor, 280MFD	
a. 115V - 280MFD (Models MS-8-1H)	2194787
b. 220V - Danfoss (Models MS-8-AH & MS-8-EH)	3516451
5 7.25" Fan Guard	2160020
6 Fan Motor	
a. 9W, 115V, CW (Models MS-8-1H)	2162717
b. 9W, 230V (Models MS-8-AH, MS-8-BH, MS-8-CH & MS-8-EH)	2162720
7 7.25" Fan Blade	3516457
8 Compressor	
a. R-404A 115/60 - 1/4HP, TF4CLX (Models MS-8-1H)	3526997
b. R-404A 220/50 - 1/5HP, TFS4 (Models MS-8-AH & MS-8-EH)	3526994
c. R-404A 208-230/60 - 1/5HP, AEA0415ZXD (Models MS-8-BH)	3527071
d. R-290 220-240/50 - 1/5HP, TL4CN (Models MS-8-CH)	3526988
9 .25" Inlet Filter Dryer (2x)	3516322
10 Small Condensate Pan	039-231-0032
11 Shroud 1/5 HP Condensing Coil	026-C58-0001
12 Condensing Coil	3517381
13 Cap Tubing (Not shown)	
a. R-404A - 0.044" ID x 144" Long (Models MS-8-1H, MS-8-AH, MS-8-BH & MS-8-EH)	0074057
b. R-290 - 0.036" ID x 0.109 OD, x 96" Long (Models MS-8-CH)	413-252-005W
Evaporator Coil	
14 Evaporator Coil	3517382
15 Evaporator Fan Bracket	372-A9Y-0002
16 Fan Motor	
a. Models MS-8-1H	2162691
b. Models MS-8-AH, BH, CH & EH	020003848
17 4.5" CW Fan Blade	3517383
18 4.7" Fan Guard	2160022
19 Coil Evaporator Body	019-CD1-0000
20 BIDM Cabinet Thermistor Temperature Probe	2195125

LABELS & MISCELLANEOUS PARTS

DESCRIPTION

Labels

1	CO ₂ Label	9294281
2	Parts/Service Multiplex Label	
	a. Models MS-8-1H, MS-8-BH, MS-8-CH & MS-8-EH	9291329
	b. Models MS-8-AH	9291367
3	Blank 4 Smoothie Label	
	a. Models MS-8-1H, MS-8-BH, MS-8-CH & MS-8-EH	9291324
	b. Models MS-8-AH	9291361
4	Blank 7 Smoothie Label	
	a. Models MS-8-1H, MS-8-BH, MS-8-CH & MS-8-EH	9291327
	b. Models MS-8-AH	9291362
5	Blank 8 Smoothie Label	
	a. Models MS-8-1H, MS-8-BH, MS-8-CH & MS-8-EH	9291328
	b. Models MS-8-AH	9291363
6	Caramel Smoothie Label	9291326
7	Lemonade 8 Smoothie Label	9291354
8	Mango Pineapple 3 Smoothie Label	9291350
9	Mocha Smoothie Label	9291325
10	Strawberry Smoothie Label	
	a. 1Models MS-8-H, MS-8-BH, MS-8-CH & MS-8-EH	9291321
	b. Models MS-8-AH	9291358
11	Wildberry Smoothie Label	
	a. Models MS-8-1H, MS-8-BH, MS-8-CH & MS-8-EH	9291322
	b. Models MS-8-AH	9291359
12	Yogurt 3 Smoothie Label	
	a. Models MS-8-1H, MS-8-BH, MS-8-CH & MS-8-EH	9291323
	b. Models MS-8-AH	9291360
13	Yogurt 4 Smoothie Label	9291353
14	Chocolate 5 Smoothie Label - English (Models MS-8-AH Only)	9291339
15	Coffee 6 Smoothie Label - English (Models MS-8-AH Only)	9291340
16	Stickers Kit	
	a. Models MS-8-1H	000-BIC-0031
	b. Models MS-8-AH	000-BIC-0030
	c. Models MS-8-BH, MS-8-CH	000-BIC-0016
	d. Korean MS-8-BH & MS-8-BLH	000-BIC-0060
	e. Canada - English	000-BIC-0050
	f. Canada - French Canadian	000-BIC-0051
	g. Singapore MS-8-EH & MS-8-ELH	000-BIC-0043

Miscellaneous Parts

17	Double Valve Rinse Kit	000-BIC-001M
18	Cleaning Squeeze Bottle	1706138
19	Cleaning Kits	
	a. Basic Cleaning Kit	000-BIC-0008
	b. MS-8-AH, MS-8-ALH Cleaning Kit	000-BIC-0027
	c. MS-8-BH, MS-8-BLH Korean Cleaning Kit	000-BIC-0061
20	Cleaning Pitcher	3239631
21	Scale Overflow Tray Assembly	1708546
22	Touch Screen Overlay	1708541
23	Touch Screen Kit Overlay	000-BIC-000C
24	Scale & Calibration Tool	3235029
25	Clear PVC Tubing, 1/2" ID x 5/8" OD x 2' Long	1702019