



“Your Solutions Partner”

# GAS CONVECTION OVEN

MODELS

6/13 OVEN  
E SERIES

## Illustrated Parts List



---

*This manual is Copyright © 2007 Duke Manufacturing Co. All rights reserved.  
Reproduction without written permission is prohibited. Duke is a registered  
trademark of the Duke Manufacturing Co.*

### Duke Manufacturing Co.

2305 N. Broadway • St. Louis, MO 63102

800.735.3853 • 314.231.1130

Fax: 314-231-5074

[www.dukemfg.com](http://www.dukemfg.com)

**TABLE OF CONTENTS**

6/13 THE OVEN, "E" SERIES, DOUBLE DOOR UNITS.....3  
 Table: PL-1 6/13 The Oven, "E" Series, Double Door Units .....3  
 Figure: PL-1 6/13 The Oven, "E" Series, Double Door Units.....5  
 DOOR ASSEMBLY (DOUBLE DOOR UNITS).....6  
 Table: PL-2 Door Assembly (Double Door Units) .....6  
 Figure: PL-2 Door Assembly (Double Door Units).....7  
 REAR MOUNTED FAN MOTOR & HEATERS.....8  
 Table: PL-3 Rear Mounted Fan Motor & Heaters .....8  
 Figure: PL-3 Rear Mounted Fan Motor & Heaters.....9  
 "X" CONTROL PANEL ASSEMBLY FOR 6/13 SERIES .....10  
 Table: PL-4 X Control Panel Assembly for 6/13 Series .....10  
 Figure: PL-4 X Control Panel Assembly for 6/13 Series .....11  
 "XX" CONTROL PANEL ASSEMBLY 6/13 SERIES .....12  
 Table: PL-5 "XX" Control Panel Assembly 6/13 Series .....12  
 Figure: PL-5 "XX" Control Panel Assembly 6/13 Series .....13  
 "Z" CONTROL PANEL ASSEMBLY 6/13 SERIES .....14  
 Table: PL-6 "Z" Control Panel Assembly 6/13 Series .....14  
 Figure: PL-6 "Z" Control Panel Assembly 6/13 Series .....15  
 "ZX" CONTROL PANEL ASSEMBLY FOR 6/13 & 5/9 SERIES .....16  
 Table: PL-7 "ZX" Control Panel Assembly 6/13 & 5/9 Series.....16  
 Figure: PL-7 "ZX" Control Panel Assembly 6/13 & 5/9 Series .....17  
 6/13 "V" CONTROLLERS E SERIES ELECTRO MECHANICAL CONTROLLER ASSEMBLY .....18  
 Table: PL-8 "ZX" Control Panel Assembly 6/13 & 5/9 Series.....18  
 Figure: PL-8 "ZX" Control Panel Assembly 6/13 & 5/9 Series .....19

**6/13 THE OVEN, “E” SERIES, DOUBLE DOOR UNITS**

ITEM	PART NUMBER	DESCRIPTION	QTY.
	613-E1VS	613-E1V Duke Convection.	1
1	153018	Duct Flue (1056) 613 &DCO	1
2	153740	Restrictor Flue S/S	1
3	153512	Assembly, Rack Std. Depth 613	1
4	153230	Rack, Oven Std. 613/E101	6/5
5	153229	Rack, Support Oven	2
3	153513	Assembly, Rack E-101	1
4	153231	Rack, 6/13, Deep Depth	6/5
5	153229	Rack, Support Oven	2
6	153825	Motor, 613/E101	1
	153034	Motor, ½ HP, 100-115/200-230V 1-speed	1
	153036	Motor, ½ HP, 200-240V, 2 Speed	1
7	153027	Burner, Oven, Left Assembly (Not Shown)	1
	153388	Burner, Oven, Right Assembly (Not Shown)	1
	153641	Pilot Burner/Igniter Assembly, Natural Gas	1
	153642	Pilot Burner/Igniter Assembly, Propane Gas	1
	153154	Orifice, Burner #44 Natural – Standard Depth	1
	153155	Orifice, Burner #55 Propane – Standard Depth	1
	153359	Orifice, Burner #43 Natural – Deep Depth	1
	153360	Orifice, Burner #54 Propane – Deep Depth	1
	153177	Probe, “X”, “XX”, “Z”, “ZX” Models	1
8	153115	Grommet	1
9	153073	Vent Flue (1027)	1
10	153446	Finishing Piece, Top Assembly RL	1
11	153045	Finishing Piece, Bottom Assembly Gas/Electric	1
12	153357	Block, Power Distribution	1
13	147963	Holder, Lamp	1
14	156029	Bulb, Light, 40W	1
15	153092	Gasket, Light Box	1
16	153355	Frame for Glass	1
17	153089	Glass Light	1
18	153499	Control, Digital Time/Temp, X 2-Button	1
	153564	Control XX	1
	153150	Control, Digital Time/Event, Z, 12-Button	1
	153481	Control ZX	1
	153134	Mylar, Control Panel “V” Model, 2 Button	1
	153758	Mylar, Control Panel “X” Model	1
	153666	Mylar, Control Panel “XX” Model	1
	153138	Mylar, Control Panel “Z” Model	1
	153482	Mylar, Control Panel “ZX” Model	1
	153361	Mylar, Control Panel E-Series	1
	153139	Mylar Panel, Lower 6/13 Model	1
	153362	Mylar Panel, Lower Gas Panel E-Series	1

**Table: PL-1 6/13 The Oven, “E” Series, Double Door Units**

**6/13 THE OVEN, “E” SERIES, DOUBLE DOOR UNITS (CONT’D.)**

ITEM	PART NUMBER	DESCRIPTION	QTY.
19	154377	Control, Interface Control Board, ZZ (Not Shown)	1
20	153156	Contactora, 50Amp. 3-Pole 208/240V	1
	153157	Contactora, 30Amp. 3-Pole208/240V	1
	153159	Contactora, 60Amp. 2-Pole , 208/240V	1
21	153114	Microswitch, Door	1
22	153071	Switch, Actuator, Door	1
23	D008S	65/35 Doors w/Glass RL	1
	D007S	RL 50/50 Door w/Glass	1
	153440	Door Assembly 6/13, Solid Left 50/50	1
	153441	Door Assembly 6/13, Solid Left 50/50	1
	153434	Door Assembly 6/13 w/Glass, Left 50/50.	1
	153442	Door Assembly 6/13, w/Glass, Right, 50/50	1
	153462	Door Assembly 6/13, w/Glass, Left, 50/50	1
	153285	Door Assembly, Right	1
24	153161	Bearing, Thrust, 5/8" ID x 1" OD	4
25	147467	Washer, Thrust, 5/8" ID x 1" OD	AR
26	153056	Bearing, Door	2
27	153074	Flue Extension	1
28	153233	Stacking Bracket	1
29	153237	Door Chain & Turnbuckle Assembly.	1
30	153234	Chain, Door	1
31	147753	Turnbuckle, ¼-20	1
32	145274	Master Link, Chain.	1
33	153057	Sprocket, Door	1
34	153253	Painted Legs, 27"	4
	FC01S	Set of 4 – Bullet Feet	1
35	153067	Insert, Adjustable Foot (Not Shown)	4

**Table: PL-1 6/13 The Oven, “E” Series, Double Door Units (Cont.)**

**6/13 THE OVEN, "E" SERIES, DOUBLE DOOR UNITS**

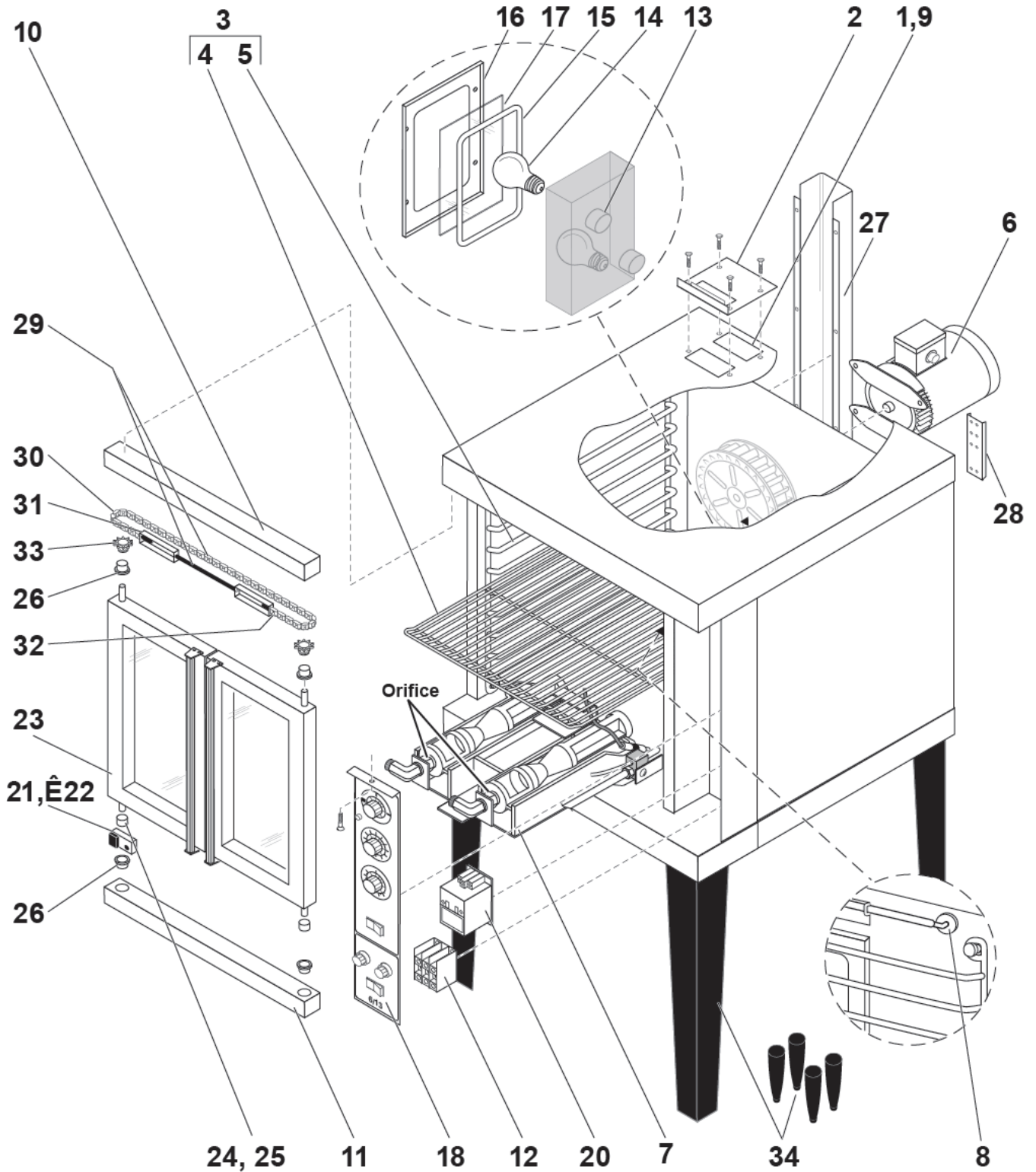


Figure: PL-1 6/13 The Oven, "E" Series, Double Door Units

**DOOR ASSEMBLY (DOUBLE DOOR UNITS)**

**PARTS EXTRA ONLY TO 6/13 THE OVEN**

ITEM	PART NUMBER	DESCRIPTION	QTY.
	153440	Door Assembly, Left, 50/50, Solid	1
	153441	Door, Assembly, Right, 50/50, Solid	1
	153462	Door Assembly, Left, 65/35, w/Glass	1
	153285	Door Assembly, Right, 65/35	1
	153461	Door Assembly, Left, Solid 65/35	1
1	153237	Door Chain & Turnbuckle Assembly	1
2	145274	Master Link, Chain	1
3	153057	Sprocket	2
4	147753	Turnbuckle	2

**Table: PL-2 Door Assembly (Double Door Units)**

## DOOR ASSEMBLY (DOUBLE DOOR UNITS)

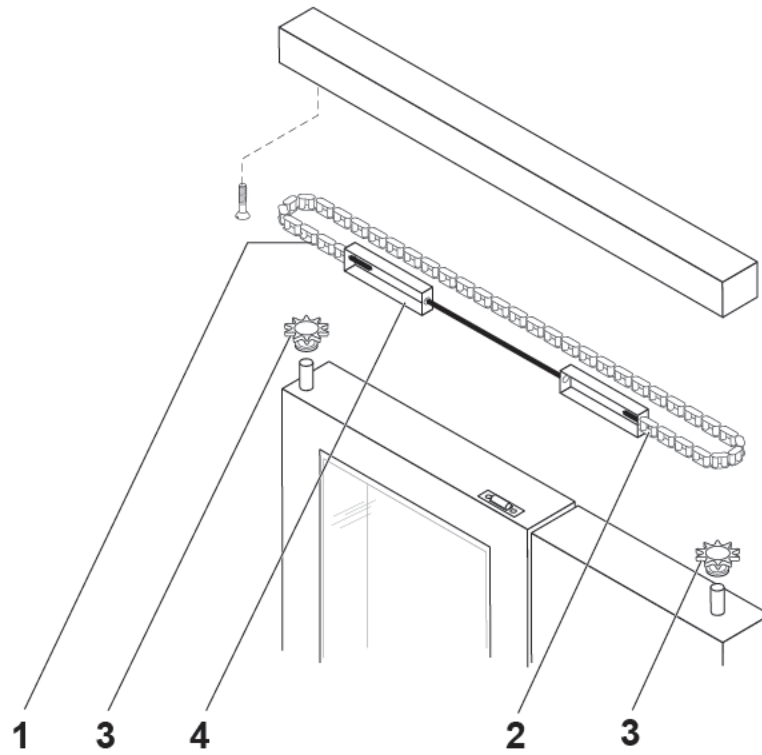


Figure: PL-2 Door Assembly (Double Door Units)

### REAR MOUNTED FAN MOTOR & HEATERS

ITEM	PART NUMBER	DESCRIPTION	QTY.
	153825	Assembly, Motor, Electric	1
1	153036	Motor, ½ HP, 208/240V, 2-Speed	1
	153034	Motor, ½ HP, 208/240V, 1-Speed	1
2	153174	Spacer, Motor Mount, 1" Long	4
3	147304	Bolt, Tap ¼-20 x 2, HX, ZP GRB	4
4	147355	Nut, ¼-20 Hex, ZP	12
5	0387350	Washer, ¼ Lock Split, Plated	4
6	153093	Fan Revolution Corr. 9.875 D x 2.125 Thick	1
7	155115	Set Screws, ¼-20 x 1/2" KNL Thumb	4
8	153000	Fan Motor Mounting Plate	1

Table: PL-3 Rear Mounted Fan Motor & Heaters



## REAR MOUNTED FAN MOTOR & HEATERS

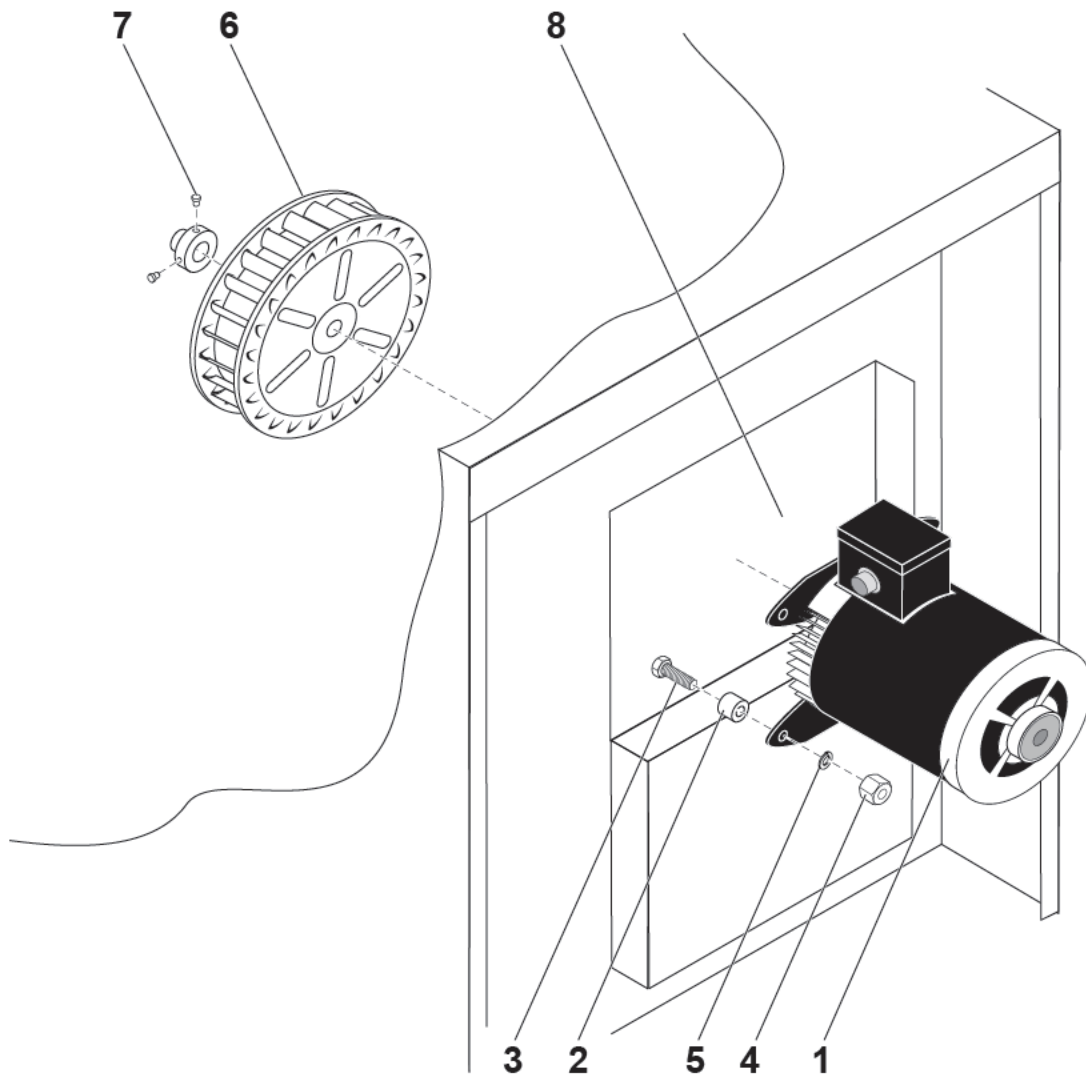


Figure: PL-3 Rear Mounted Fan Motor & Heaters

**“X” CONTROL PANEL ASSEMBLY FOR 6/13 SERIES**

ITEM	PART NUMBER	DESCRIPTION	QTY.
		Assy. X-Control Panel	1
1	153460	Switch, 3 Position Rotary	1
2	153485	Assembly, Probe, Temp, RTD, for 6/13 only	1
	153177	Probe, Temp, RTD, for 6/13 model	1
*3	153499	X Controller	1
4	153760	Panel, Control, for 6/13 model	1
5	5547333	Screw, 10-24 x 5/8" PN PH ZP-T	1
6	615758	Mylar, Panel-X for 6/13 model	1
	155314	Mylar, Digital Com 6000 for 5/9 model	1
7	153142	Knob, Control	1
8	153204	Light, Oven ready, 240V	1
9	153144	Switch, HI/ LOW SPDT Fan	1
10	153200	Fuse Holder, BK / HPG EE	2
11	153201	Fuse, 10 Amp Time Delay	2
12	153146	Switch, Light SPST 15A 125 for 6/13 model only	1
13	153140	Mylar, Electric 6/13 Label for 6/13 model only	1
14	153766	Knob Control Digital	2
15	155358	Lock Nut, 6/32, Nylon Insert	4

\* NOTE : Part No. 153499 is no longer available. In its place order Part No. [600139](#) or [600140](#).

**Table: PL-4 X Control Panel Assembly for 6/13 Series**

### "X" CONTROL PANEL ASSEMBLY FOR 6/13 SERIES

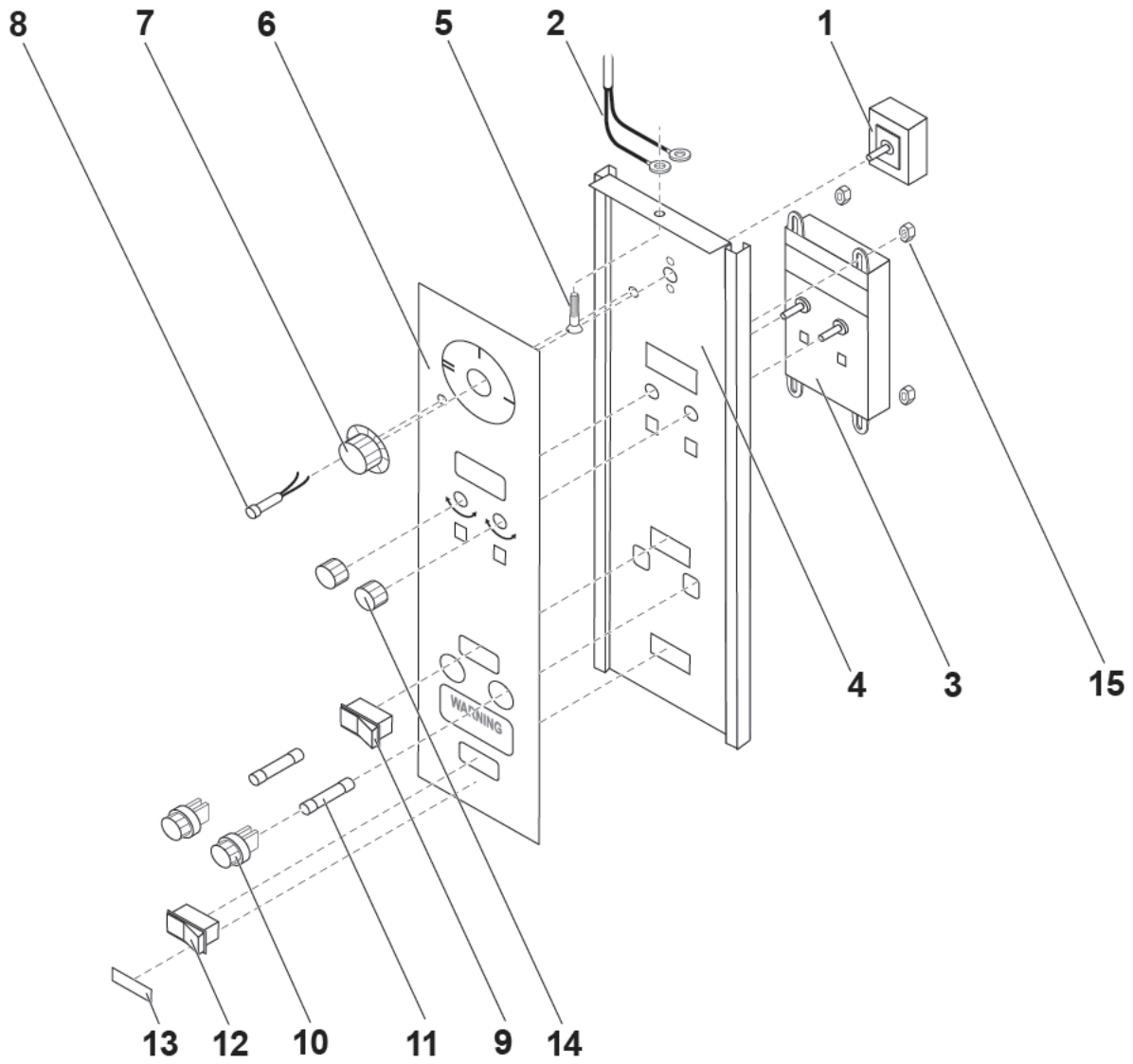


Figure: PL-4 X Control Panel Assembly for 6/13 Series

**“XX” CONTROL PANEL ASSEMBLY 6/13 SERIES**

ITEM	PART NUMBER	DESCRIPTION	QTY.
		Assy. XX-Control Panel	1
1	53460	Switch, 3 Position Rotary	1
2	153177	Probe, Temp RTD for 6/13 model	1
3	3153564	XX Controller	1
4	4153569	Panel Control for 6/13 model	1
5	547333	Screw, 10-24 x 5/8 PN PH ZP-T	1
6	153566	Mylar, Panel-XX, for 6/13 model	1
7	153142	Knob, Control	1
8	153204	Light, Oven Ready, 240V	1
9	153144	Switch, 2-Speed Fan	1
10	153200	Fuse Holder, BK / HPG EE	2
11	153201	Fuse, 10 Amp Time Delay	2
12	153146	Switch, Light SPST 15A 125 for 6/13 model only	1
13	153140	Mylar, Electric 613 Label for 6/13 model only	1
14	159107	KEP. Nut, 4 - 40	4

**Table: PL-5 “XX” Control Panel Assembly 6/13 Series**

### “XX” CONTROL PANEL ASSEMBLY 6/13 SERIES

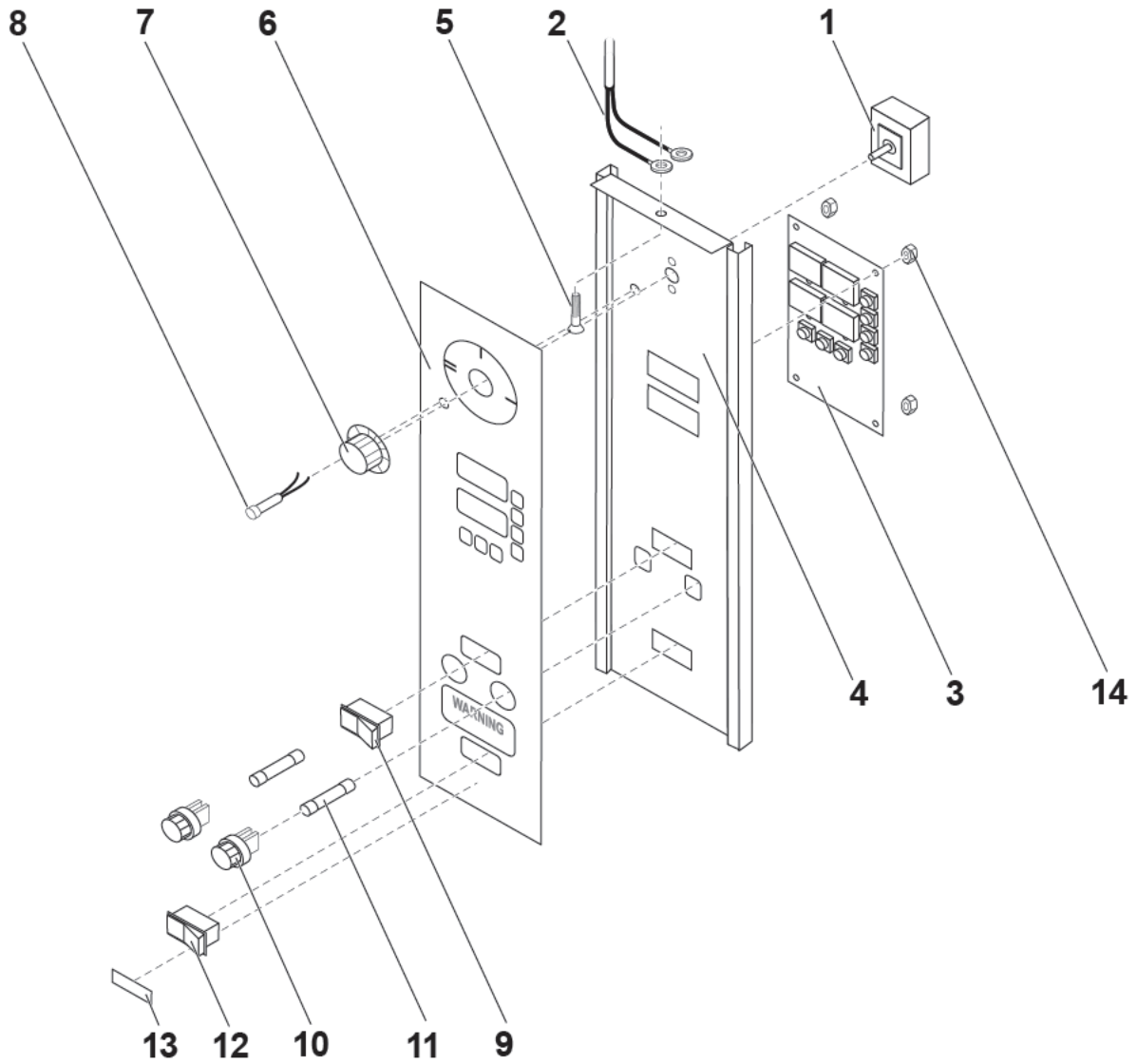


Figure: PL-5 “XX” Control Panel Assembly 6/13 Series

**“Z” CONTROL PANEL ASSEMBLY 6/13 SERIES**

ITEM	PART NUMBER	DESCRIPTION	QTY.
1	153460	Switch, 3 Position Rotary	1
2	153177	Probe, Temp RTD for 6/13 model	1
3	3153150	Z Controller	1
4	153179	Panel Control Digital for 6/13 model	1
5	547333	Screw, 10-24 x 5/8 PN PH ZP-T	1
6	153138	Mylar, Panel- Z Control, for 6/13 model	1
7	153142	Knob, Control	1
8	153204	Light, Oven Ready, 240V	1
9	153143	Knob, Digital	2
10	153200	Fuse Holder, BK / HPG EE	2
11	153201	Fuse, 10 Amp Time Delay	2
12	153146	Switch, Light SPST 15A 125 for 6/13 model only	1
13	153140	Mylar, Electric 6/13 Label for 6/13 model only	1
14	155358	Lock Nut, 6/32 Nylon Insert	4

**Table: PL-6 “Z” Control Panel Assembly 6/13 Series**

### "Z" CONTROL PANEL ASSEMBLY 6/13 SERIES

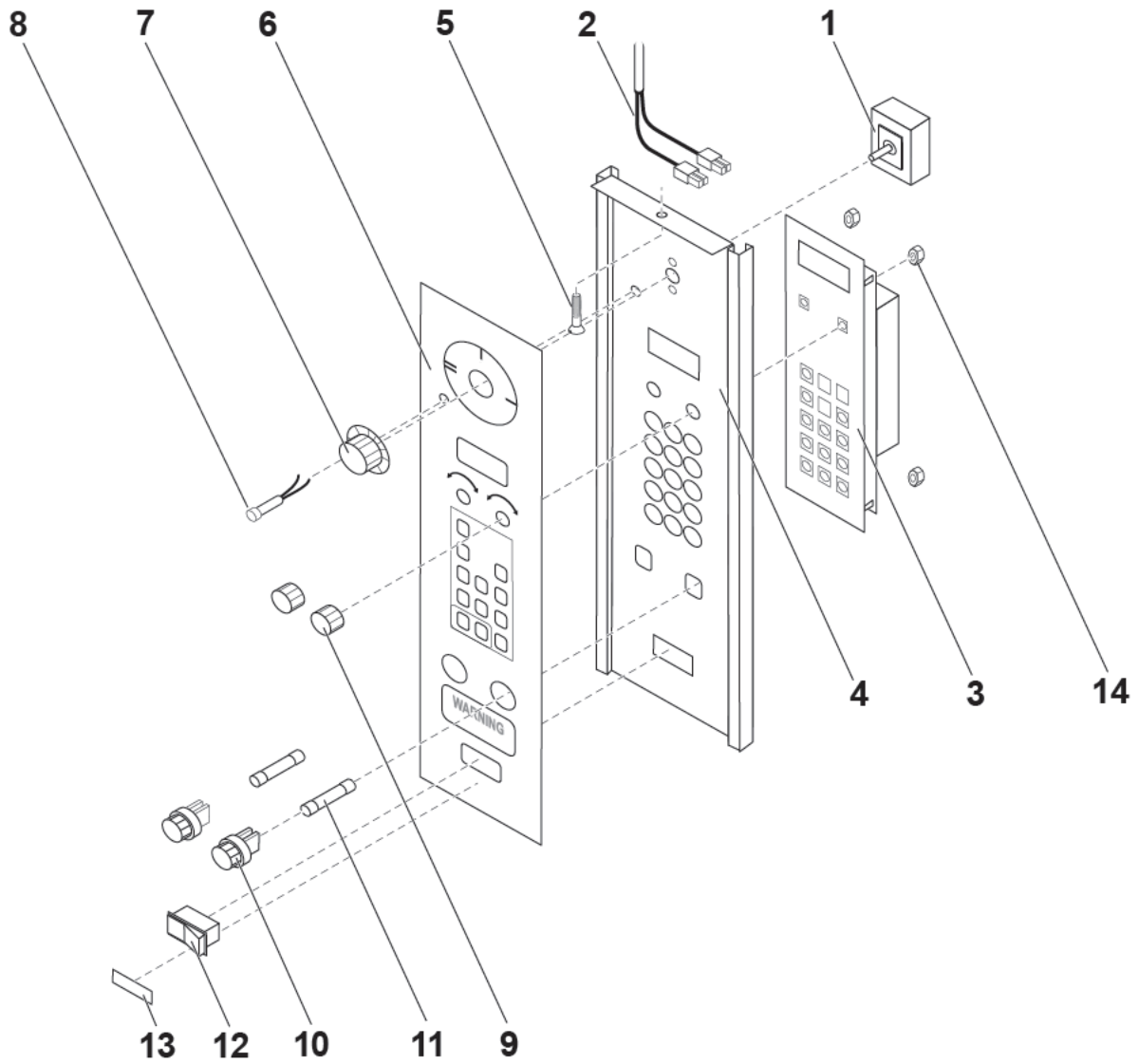


Figure: PL-6 "Z" Control Panel Assembly 6/13 Series

**“ZX” CONTROL PANEL ASSEMBLY FOR 6/13 & 5/9 SERIES**

ITEM	PART NUMBER	DESCRIPTION	QTY.
		Assy. ZX-Control Panel	1
1	153460	Switch, 3 Position Rotary	1
2	153177	Probe, Temp RTD for 6/13 model	1
3	153481	ZX Controller	1
4	153179	Panel Control Digital for 6/13 model	1
5	547333	Screw, 10-24 x 5/8" PN PH ZP-T	1
6	153143	Knob, Digital	2
7	153482	Lexan, Panel- ZX Control, for 6/13 model	1
8	153142	Knob, Control	1
9	153204	Light, Oven Ready, 240V	1
10	153200	Fuse Holder, BK / HPG EE	2
11	153201	Fuse, 10 Amp Time Delay	2
12	153146	Switch, Light SPST 15A 125 for 6/13 model only	1
13	153140	Mylar, Electric 613 Label for 6/13 model only	1
14	155358	Lock Nut, 6/32 Nylon Insert	4

**Table: PL-7 “ZX” Control Panel Assembly 6/13 & 5/9 Series**



### “ZX” CONTROL PANEL ASSEMBLY FOR 6/13 & 5/9 SERIES

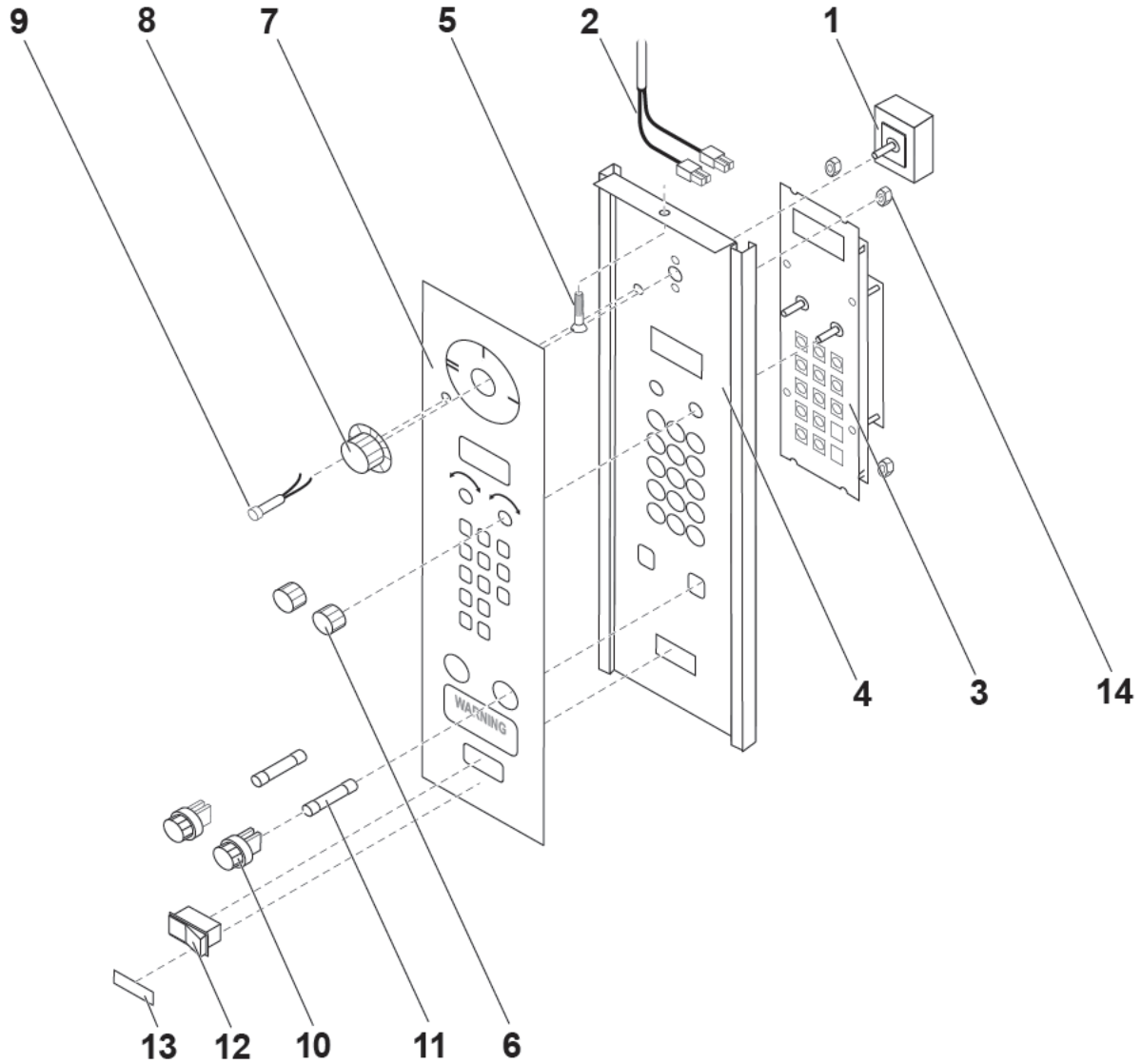


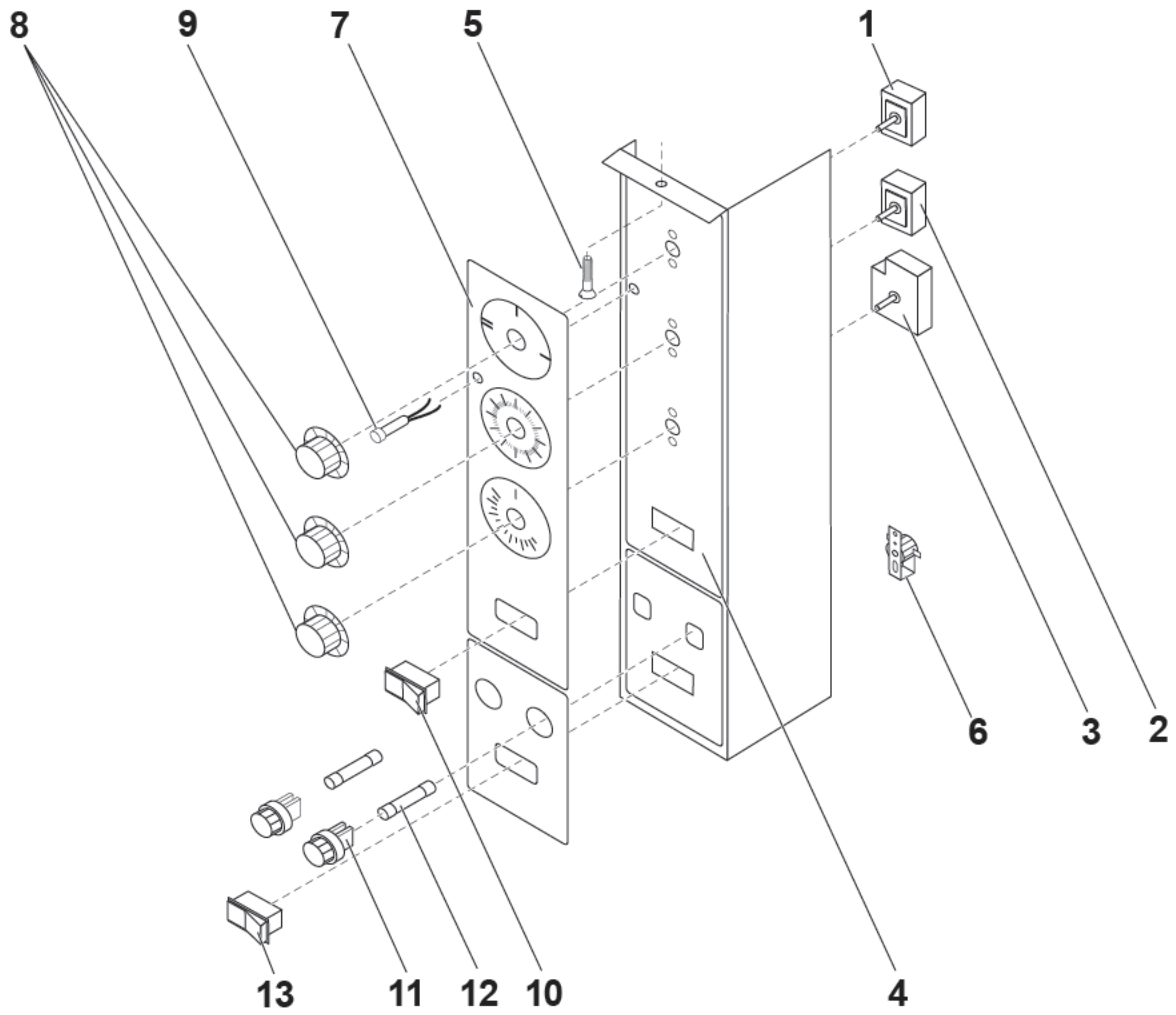
Figure: PL-7 “ZX” Control Panel Assembly 6/13 & 5/9 Series

**6/13 "V" CONTROLLERS E SERIES  
ELECTRO MECHANICAL CONTROLLER ASSEMBLY**

<b>ITEM</b>	<b>PART NUMBER</b>	<b>DESCRIPTION</b>	<b>QTY.</b>
	<a href="#">153831</a>	Assy. Control Panel E-Ser. V Elect	1
1	<a href="#">153460</a>	Switch, 3 Position	1
2	149403	Thermostat Electric	1
3	<a href="#">512971</a>	Timer Switch, 60 minute, 220V, 60Hz	1
4	153178	Panel, Control (1067)	1
5	<a href="#">547333</a>	Screw, 10-24 x 5/8" PN PH ZP-T	1
6	<a href="#">154075</a>	Buzzer, 240V 6" Wire Leads	1
7	<a href="#">155363</a>	Mylar, E-Series Electric	1
8	<a href="#">153142</a>	Knob, Control Cook/Timer	3
9	<a href="#">153204</a>	Light, Oven Ready, 240V	1
10	<a href="#">153144</a>	Switch, HI/LOW SPDT Fan	1
11	<a href="#">153200</a>	Fuse Holder, BK / HPG EE	2
12	<a href="#">153201</a>	Fuse, 10 Amp Time Delay	2
13	<a href="#">153146</a>	Switch, Light SPST 15A 125	1

**Table: PL-8 "ZX" Control Panel Assembly 6/13 & 5/9 Series**

**6/13 "V" CONTROLLERS E SERIES  
ELECTRO MECHANICAL CONTROLLER ASSEMBLY**



**Figure: PL-8 "ZX" Control Panel Assembly 6/13 & 5/9 Series**