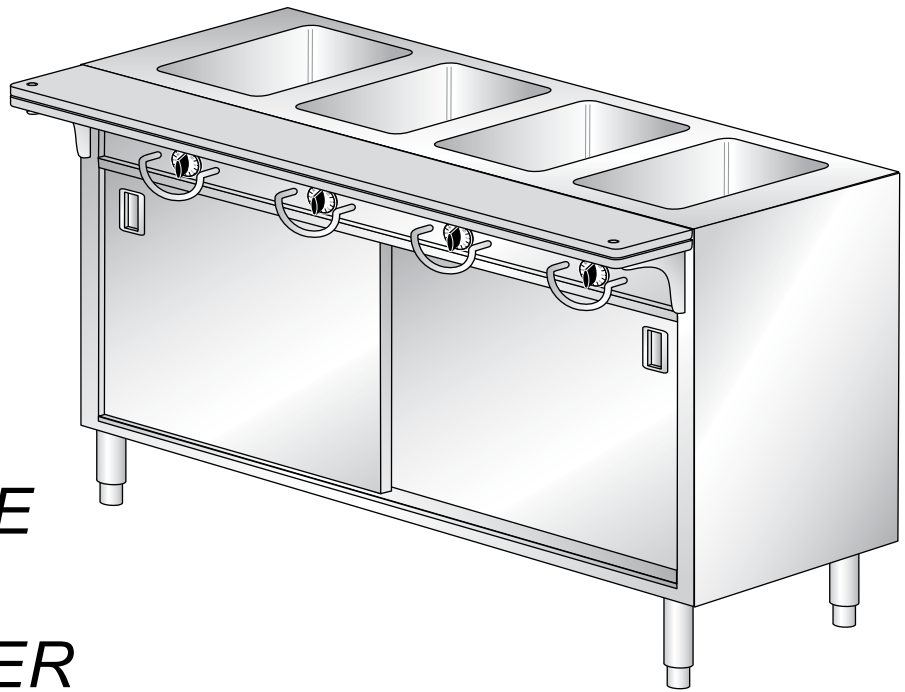


# Illustrated Parts List



Your Solutions Partner



## THURMADUKE ELECTRIC FOOD WARMER

### MODELS

---

E-2 D LPG	E-2 DLSS	E-2 CBSS	EP-2 CBSS	EP-2 CBPG	E-2 CBPG
E-3 D LPG	E-3 DLSS	E-3 CBSS	EP-3 CBSS	EP-3 CBPG	E-3 CBPG
E-4 D LPG	E-4 DLSS	E-4 CBSS	EP-4 CBSS	EP-4 CBPG	E-4 CBPG
E-5 D LPG	E-5 DLSS	E-5 CBSS	EP-5 CBSS	EP-5 CBPG	E-5 CBPG
E-6 D LPG	E-6 DLSS	E-6 CBSS	EP-6 CBSS	EP-6 CBPG	E-6 CBPG

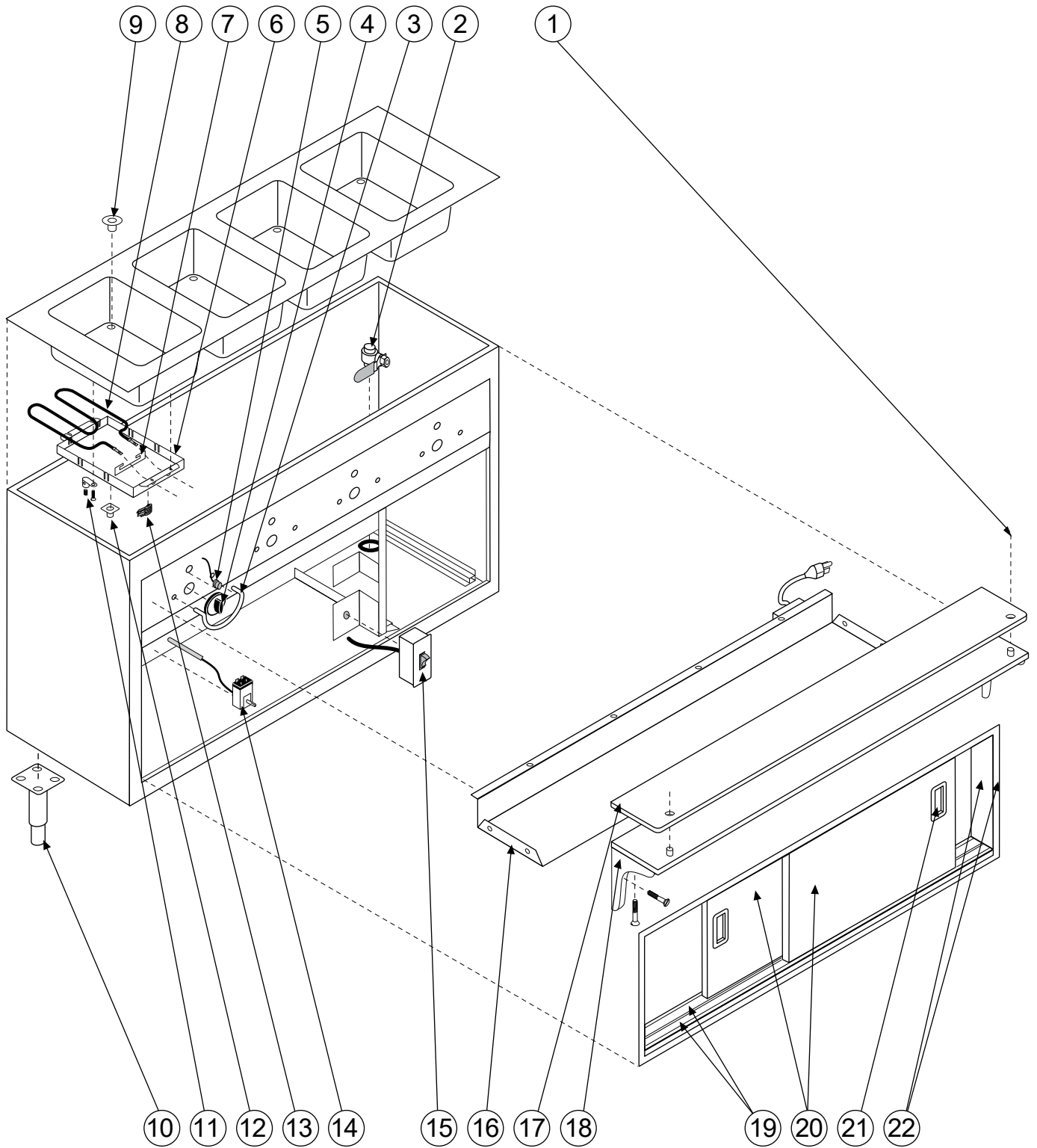
---

*This manual is Copyright © 2020 Duke Manufacturing Company. All rights reserved.  
Reproduction without written permission is prohibited. Duke is a registered  
trademark of the Duke Manufacturing Company.*

## Duke Manufacturing Company

2305 N. Broadway  
St. Louis, MO 63102  
Phone: 314-231-1130  
Toll Free: 1-800-735-3853  
Fax: 314-231-5074  
[www.dukemfg.com](http://www.dukemfg.com)

Illustrated Parts List for Sealed Well Electric Food Warmer



ITEM	QTY.	PART NUMBER	DESCRIPTION
1	2	214728	Stud, Position, S/S Carving Board
2	AR	154388	Bibb Valve
3	AR	214405	Knob Guard
4	AR	223590	Knob, Thermostat Control
5	AR	212069	Bulb, 250VAC, Pilot, Red
	AR	215550	Pilot Light Amber 125VAC
	AR	215555	Pilot Light Amber 208-240VAC
	AR	212071	Bulb, 125VAC,Pilot, Red
6	AR	230162	Element Pan <b>(See 230162-K Below)</b>
7	AR	230072	Element Holder <b>(See 230162-K Below)</b>
Not Shown	A/R	230162-K	Kit, Element Pan & Holder Assembly <b>(Ref-230162 &amp; 230072)</b>
Not Shown	AR	230372	Sealed Well Pan Assembly
8	AR	212931	Element 120VAC 1200W
	AR	212932	Element 120VAC 750W <i>(Replaced by 230299)</i>
	AR	230299	Sealed Well Element Kit, 120VAC 750W
	AR	212933	Element 208VAC, 750W <i>(Replaced by 230300)</i>
	AR	230300	Sealed Well Element Kit, 208VAC 750W
	AR	212934	Element 208/240VAC 900/1200W <i>(Replaced by 230301)</i>
	AR	230301	Sealed Well Element Kit, 208/240VAC 900/1200W
	AR	212935	Element 240VAC 750W <i>(Replaced by 230302)</i>
	AR	230302	Sealed Well Element Kit 240VAC 750W
9	AR	154048	Drain Strainer
10	AR	214508	Adjustable Leg SS 1-5/8" x 6"
11	1	212837	Ground Lug
12	AR	230363	Drain Support Plate
13	AR	222961	Hi-Limit Thermostatic Switch
14	AR	212081	Thermostat, Heat
15	1	212113	Toggle Switch 115VAC Single Phase
	1	212100	Toggle Switch 3 Pole 3 Phase
16	1	2321065152	Switch Pan

Illustrated Parts List for Sealed Well Electric Food Warmer

ITEM	QTY.	PART NUMBER	DESCRIPTION
17	1	215351	Carving Board 45.875 x 10 x 1.1
	1	215352	Carving Board 59.875 x 10 x 1.1
	1	215353	Carving Board 73.875 x 10 x 1.1
	1	215354	Carving Board 87.875 x 10 x 1.1
	3	403395	Carving Board Insert 10"
18	2	400243	Carving Board Bracket 24 Body
19	1	400338	Door Guide Inside
	1	400337	Door Guide Outside
20	2	401259	Door Panel Inside
	2	401263	Door Panel Inside
	2	401251	Door Panel Outside
	2	401255	Door Panel Outside
	2	402471	Door Panel Outside
21	2	214600	Handle Recessed Pull
	1	215047	Handle K-Line 12-1/4"
22	2	400336	Door Hanger Inside
	2	400335	Door Hanger Outside
Not Shown	1	212612	Wiring Harness 2 Section 115VAC
	1	212613	Wiring Harness 2 Section 208VAC
	1	212614	Wiring Harness 3 Section 115VAC
	1	212615	Wiring Harness 3 Section 208VAC
	1	212622	Wiring Harness 3 Section 3 Phase
	1	212616	Wiring Harness 4 Section 120VAC
	1	212617	Wiring Harness 4 Section 208VAC
	1	212623	Wiring Harness 4 Section 3 Phase
	1	212618	Wiring Harness 5 Section 120VAC
	1	212619	Wiring Harness 5 Section 208VAC
	1	212624	Wiring Harness 5 Section 3 Phase
	1	212621	Wiring Harness 6 Section 208VAC
	1	212625	Wiring Harness 6 Section 3 Phase
	AR	154424	Wiring Harness Sealed Well





## **Duke Manufacturing Company**

**2305 N. Broadway  
St. Louis, MO 63102  
Phone: 314-231-1130  
Toll Free: 1-800-735-3853  
Fax: 314-231-5074  
[www.dukemfg.com](http://www.dukemfg.com)**