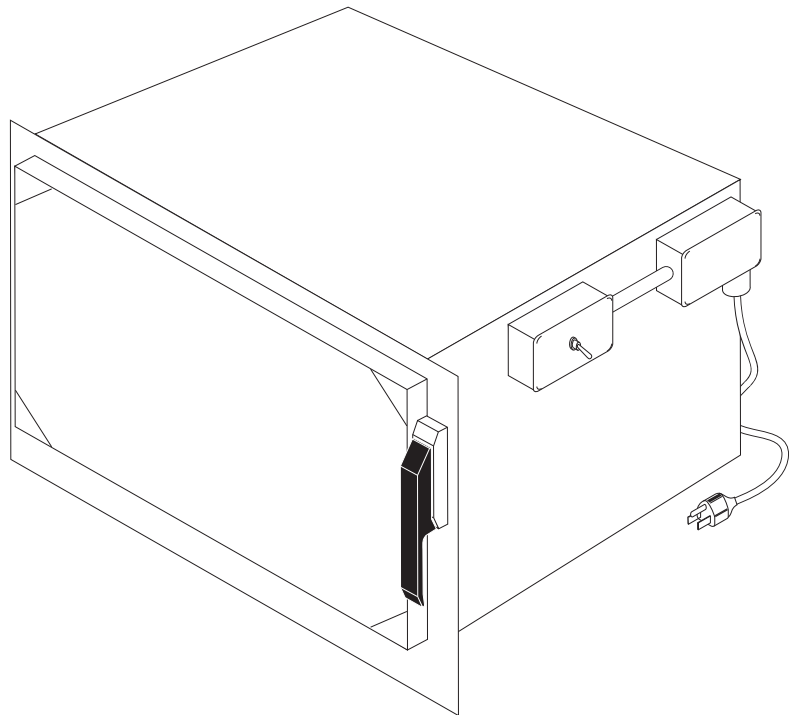




Your Solutions Partner

Illustrated Parts List



HEATED BASE UNIT

MODEL
HTD-BASE-M

*This manual is Copyright © 2009 Duke Manufacturing Co. All rights reserved.
Reproduction without written permission is prohibited. Duke is a registered
trademark of the Duke Manufacturing Co.*

Duke Manufacturing Co.

**2305 N. Broadway
St. Louis, MO 63102
Phone: 314-231-1130
Toll Free: 1-800-735-3853
Fax: 314-231-5074
www.dukemfg.com**

HEATED BASE UNIT

ITEM	QTY.	PART NUMBER	DESCRIPTION
Not Shown	1	403391	Heated Base Module
1	1	212711	Foil Heater 2 Drawer
2	1	216509	Fixed Limit Control
3	1	2113-2	Toggle Switch
4	2	214324	Door Hinge
5	1	214323	Magnetic Latch
6	1	216568	Thermometer 200F

Table: PL-1 Heated Base Unit

HEATED BASE UNIT

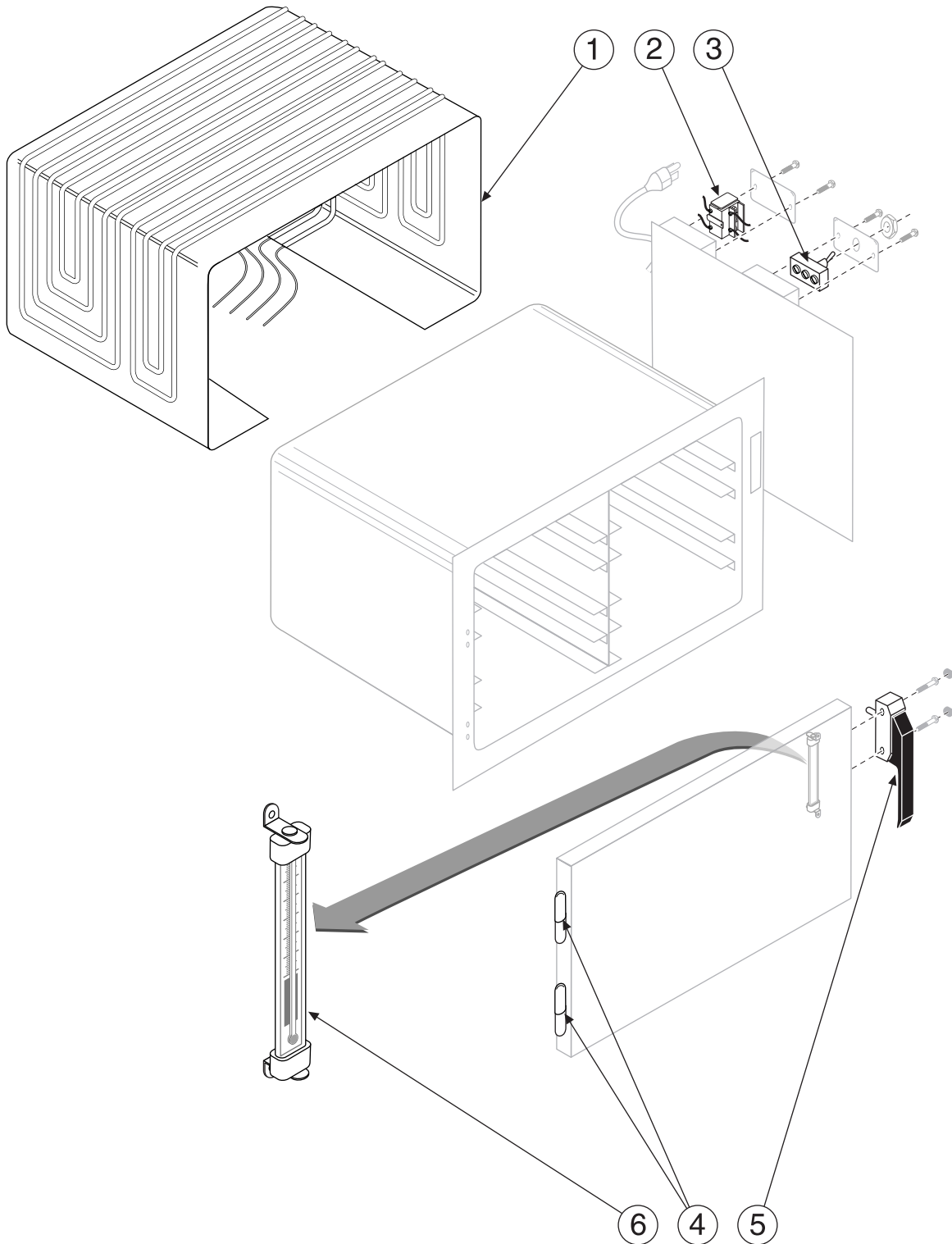
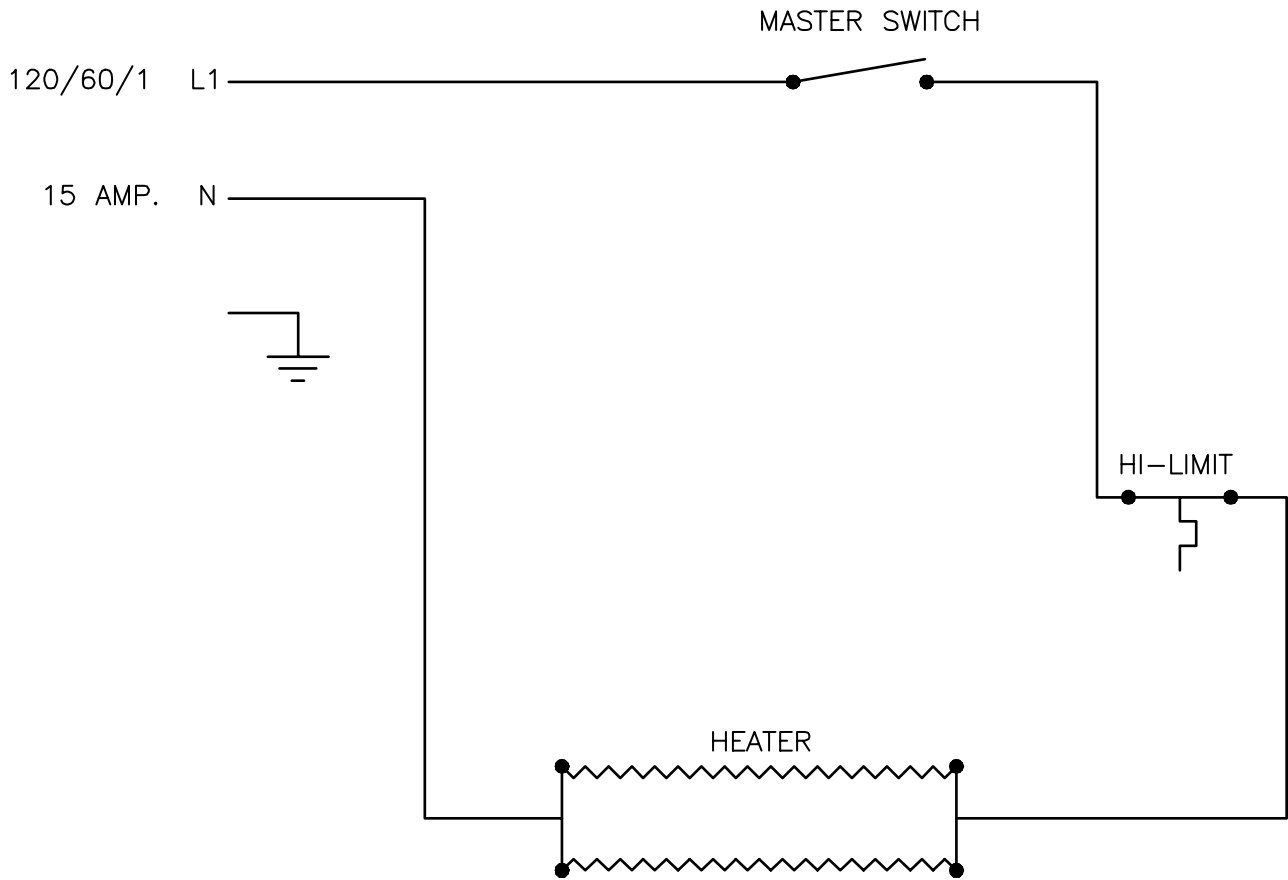


Figure: PL-1 Heated Base Unit

HEATED BASE UNIT SCHEMATIC



NOTES



NOTES

CUSTOMER ASSISTANCE

To aid in reporting this unit in case of loss or theft, please record below the model number and serial number located on the unit. We also suggest you record all the information listed and retain for future reference.

MODEL NUMBER _____	SERIAL NUMBER _____
DATE OF PURCHASE _____	
DEALER _____	TELEPHONE _____
SERVICER _____	TELEPHONE _____

NORTH AMERICA & LATIN AMERICA

Duke Manufacturing Company
2305 N. Broadway
St. Louis, MO 63102
Phone: 314-231-1130
Toll Free: 1-800-735-3853
Fax: 314-231-5074

UK & IRELAND

Duke Mfg UK
Duke House
Unit 10, Greendale Business Park
Woodbury Salterton
Exeter
Devon - UK EX5 1EW
Tel: 01395 234140
FAX: 01395 234154

CONTINENTAL EUROPE

EU Headquarter Office
Duke Manufacturing
CR s.r.o. Vitavska 219,
Stechovice 25207
Phone: +420 257-741-033

ASIA

Duke Food Service Equipment
(shanghai) Company Limited
1F, Building #17-2, 658 Nong Jin Zhong Road
Shanghai, China 200335
Tel: +86 21 6876 9272
Fax: +86 21 33600628

TO ACCESS INTERNET: www.dukemfg.com

Please provide the following information when you write or call: model number, serial number, date of purchase, your complete mailing address (including zip code), and description of the problem.



Your Solutions Partner

Duke Manufacturing Co.

**2305 N. Broadway
St. Louis, MO 63102
Phone: 314-231-1130
Toll Free: 1-800-735-3853
Fax: 314-231-5074
www.dukemfg.com**

**EU Headquarter Office
Duke Manufacturing
CR s.r.o. Vitavska 219,
Stechovice 25207
Phone: +420 257 741 033
Fax: +420 257 741 039**

**Duke Mfg UK
Duke House
Unit 10, Greendale Business Park
Woodbury Salterton
Exeter
Devon - UK EX5 1EW
Tel: +44 (0) 1395 234140
FAX: +44 (0) 1395 234154**

**Asia Office
Duke Food Service Equipment (shanghai) Company Limited
1F, Building #17-2, 658 Nong Jin Zhong Road
Shanghai, China 200335
Tel: +86 21 6876 9272
Fax: +86 21 33600628**