



Your Solutions Partner

Illustrated Parts List

INFRARED HEATSINK™ HOLDING UNIT

MODELS:

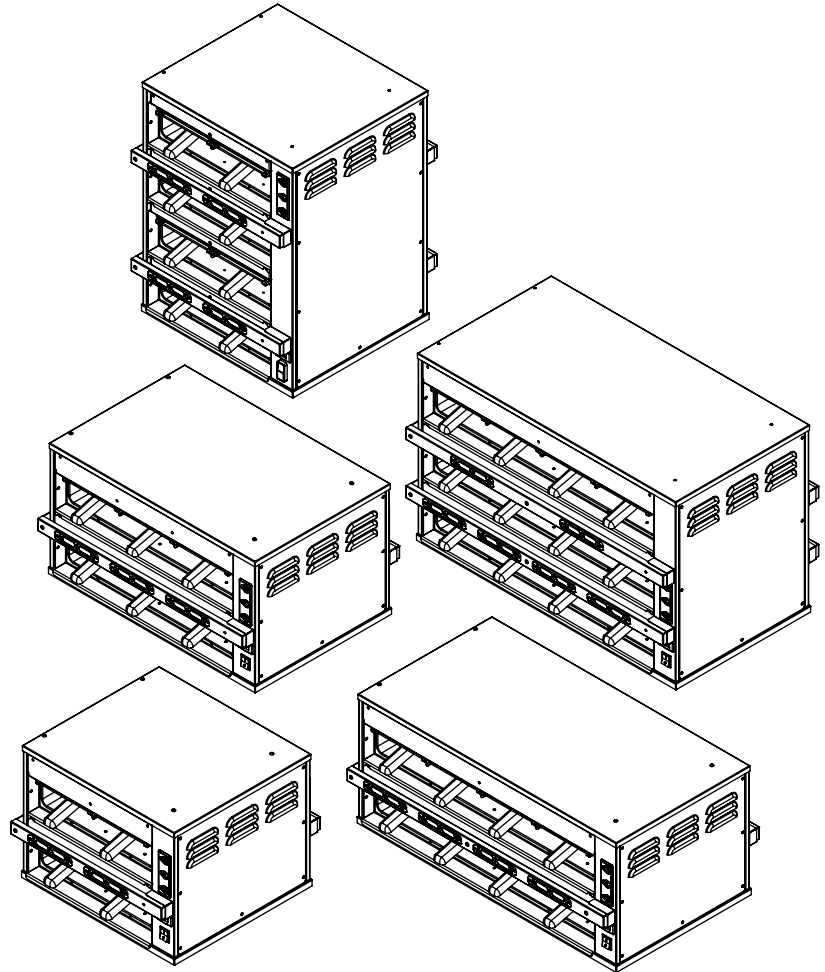
IRHS-22

IRHS-23

IRHS-24

IRHS-34

IRHS-42



*This manual is Copyright © 2018 Duke Manufacturing Company. All rights reserved.
Reproduction without written permission is prohibited. Duke is a registered
trademark of the Duke Manufacturing Company.*

Duke Manufacturing Company

**2305 N. Broadway
St. Louis, MO 63102
Phone: 314-231-1130
Toll Free: 1-800-735-3853
Fax: 314-231-5074
www.dukemfg.com**

TABLE OF CONTENTS

HOW TO DETERMINE MANUFACTURE DATE FROM DUKE EQUIPMENT SERIAL NUMBERS..3

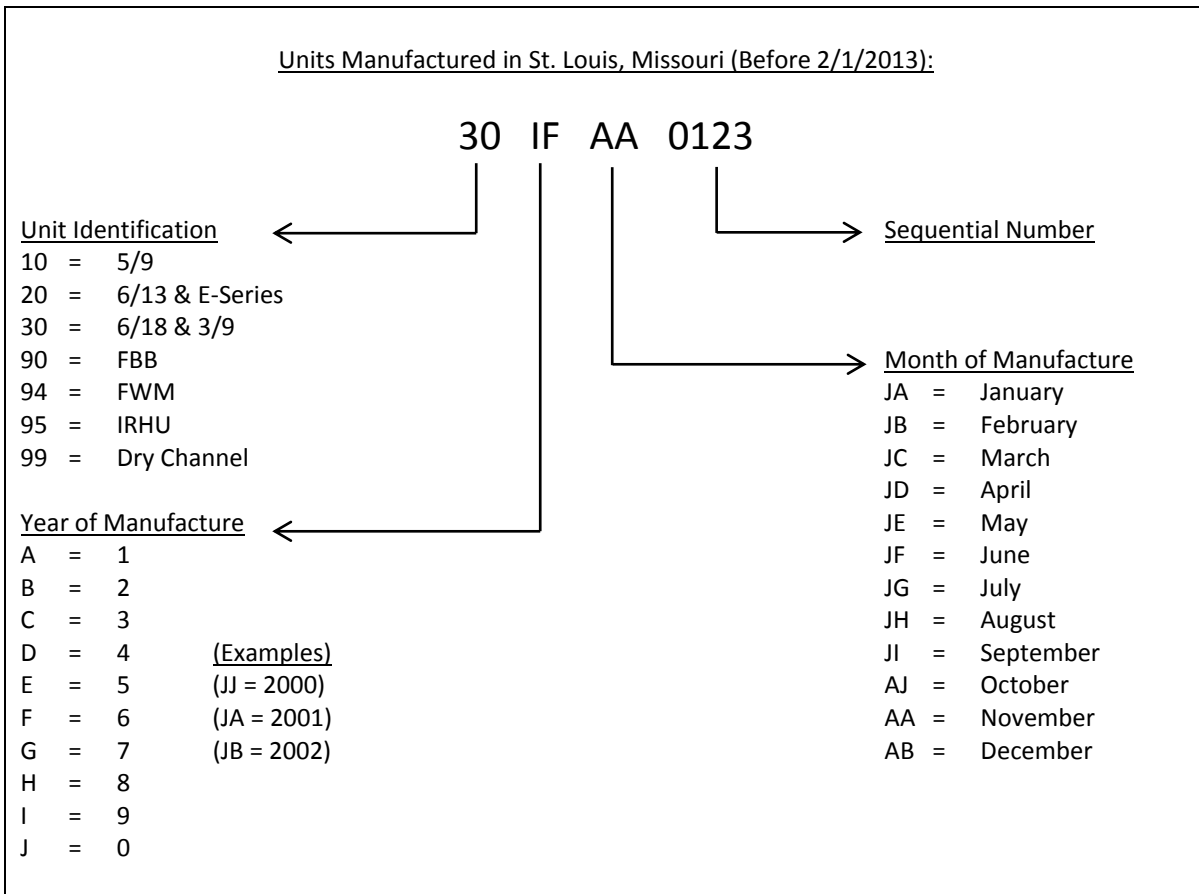
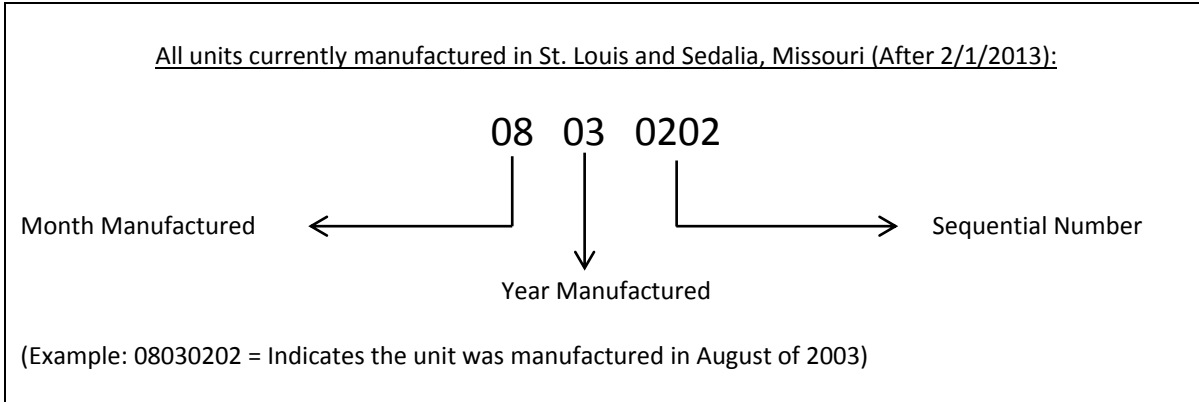
IRHS DECK ASSEMBLY
TABLE: PL-1 IRHS DECK ASSEMBLY4
FIGURE: PL-1 IRHS DECK ASSEMBLY5

IRHS CONTROL COMPARTMENT & KITCHEN MINDER
TABLE: PL-2 IRHS CONTROL COMPARTMENT & KITCHEN MINDER6
FIGURE: PL-2 IRHS CONTROL COMPARTMENT & KITCHEN MINDER7

IRHS KITCHEN MINDER CONNECTIONS
TABLE: PL-3 IRHS KITCHEN MINDER CONNECTIONS8
FIGURE: PL-3 IRHS KITCHEN MINDER CONNECTIONS8

IRHS VISOR COMPONENTS
TABLE: PL-4 IRHS VISOR COMPONENTS9
FIGURE: PL-4 IRHS VISOR COMPONENTS10

How to Determine Manufacture Date from Duke Equipment Serial Numbers



PARTS LIST – INFRARED HEATSINK™ HOLDING UNIT

IRHS Deck Assembly			Quantity per Unit				
Locator	P/N	Description	IRHS-22	IRHS-23	IRHS-24	IRHS-34	IRHS-42
1	1030-2816	ASSY, MENU BAR, 2W, TOP FRONT					1
	1030-2817	ASSY, MENU BAR, 2W, TOP REAR					
	1030-2747	ASSY, MENU BAR, 2W, RH FRONT	1				1
	1030-2759	ASSY, MENU BAR, 2W, RH REAR					
	1030-2760	ASSY, MENU BAR, 2W, LH FRONT	1				
	1030-2761	ASSY, MENU BAR, 2W, LH REAR					
	1030-2746	ASSY, MENU BAR, 3W, RH FRONT		1			
	1030-2762	ASSY, MENU BAR, 3W, LH FRONT					
	1030-2763	ASSY, MENU BAR, 3W, RH REAR		1			
	1030-2764	ASSY, MENU BAR, 3W, LH REAR					
	1030-2741	ASSY, MENU BAR, 4W, TOP/FRONT				1	
	1030-2745	ASSY, MENU BAR, 4W, TOP/REAR					
	1030-2739	ASSY, MENU BAR, 4W, FRONT			1	1	
	1030-2765	ASSY, MENU BAR, 4W, REAR					
Not Shown	1030-2975	WIRE BOX MENU BAR MOUNTING, ASY	2	2	4	4	4
2	224951	DISPLAY, KEYPAD, (UP/DOWN)	4	6	8	8	8
	224950	DISPLAY, KEYPAD, (UP/UP)				4	
3	157881	HARNESS, MENU BAR, 2W, TOP FRONT/REAR					2
	166661	HARNESS, MENU BAR, 2W, LH FRONT/REAR	2				
	166662	HARNESS, MENU BAR, 2W, RH FRONT/REAR	2				2
	166663	HARNESS, MENU BAR, 3W, LH FRONT/REAR		2			
	166664	HARNESS, MENU BAR, 3W, RH FRONT/REAR		2			
	166665	HARNESS, MENU BAR, 4W, TOP FRONT/REAR				2	
4	166017	EMITTER, 340W-208V	4	6	8	12	8
	166018	EMITTER, 340W-240V					
5	166015	SOCKET, EMITTER, STRIPPED	8	12	16	24	16
6	166011	COVER, PAN	AS REQUIRED				
7	1030-2550	ASSY, IR GLASS FRAME, 2W	2				4
	1030-2549	ASSY, IR GLASS FRAME, 3W		2			
	1030-2776	ASSY, IR GLASS FRAME, 4W			2	3	
8	158279	RTD 1K OHM MEDIUM	2	2	4	6	4
9	158312	THERMOSTAT, HI LIMIT 300F	2	2	2	3	4
10	166004	ELEMENT, HEAT, 2W, 300W-208V	2				4
	166005	ELEMENT, HEAT, 2W, 300W-240V	2				4
	166007	ELEMENT, HEAT, 3W, 450W-208V		2			
	166008	ELEMENT, HEAT, 3W, 450W-240V		2			
	166009	ELEMENT, HEAT, 4W, 300W-208V			4	6	
	166010	ELEMENT, HEAT, 4W, 300W-240V			4	6	

Table: PL-1 IRHS Deck Assembly

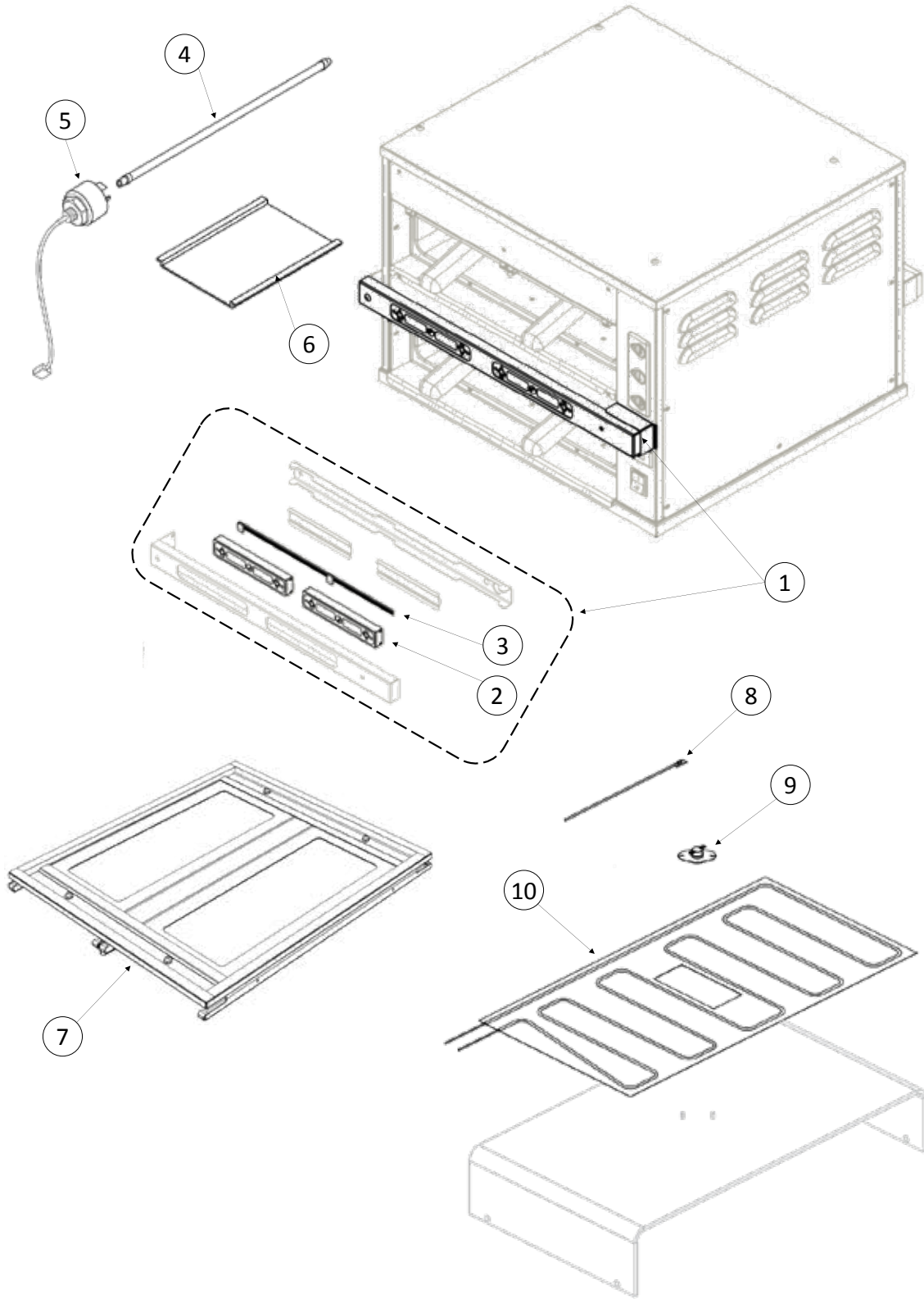


Figure: PL-1 IRHS Deck Assembly

PARTS LIST – INFRARED HEATSINK™ HOLDING UNIT

IRHS CONTROL COMPARTMENT			Quantity per Unit				
Locator	P/N	Description	IRHS-22	IRHS-23	IRHS-24	IRHS-34	IRHS-42
11	157916	ASSY, DAYPART SWITCH	1	1	1	1	1
12	156195	ADAPTER, USB HOST	1	1	1	1	1
13	169629	SWITCH, POWER, SEALED CARLING <i>(After 7/2014)</i>	1	1	1	1	1
	157886	SWITCH, POWER, DPST, 20A, 250V <i>(Prior to 7/2014)</i>	1	1	1	1	
Not Shown	161046	Harness, CE Filter, 10A	1	1	1	1	1
14	157830	RELAY, SMART POWER MODULE	3	4	6	10	6
15	155749	TRANSFORMER, 208/240 VAC	1	1	1	1	1
	156838	TRANSFORMER, 230 VAC	1	1	1	1	1
16	120102	HOLDER, FUSE	1	1	1	1	1
Not Shown	120103	FUSE, 12A	2	2	2		2
	166030	FUSE, 16A				2	
17	1030-2915	KIT, IRHS CONTROL SERVICE REPLACEMENT HMC-34-DU7	1	1	1	1	1
18	158337	RTD BOARD	1	1	1	1	1
19	156624	POWERCORD, 15 AMP 250V, W/TERMINALS, 6' (Units Mfg. Before 7/24/2014)	1	1	1		
	222170	POWERCORD, 15 AMP 250V W/TERMINALS, 6' (Units Mfg. After 7/24/2014)	1	1	1		1
	156631	POWERCORD, 16 AMP 230V, CE W/TERMINALS, 8' (Units Mfg. Before 11/3/2014)	1	1	1	1	1
	160448	POWERCORD, 16 AMP 230V, W/TERMINALS, 8', IEC 60309 (Units Mfg. After 11/3/2014)	1	1	1	1	1
	166070	CORD, POWER 20 AMP 208/240				1	

IRHS KITCHEN MINDER (If Installed)			Quantity per Unit				
Locator	P/N	Description	IRHS-22	IRHS-23	IRHS-24	IRHS-34	IRHS-42
20	222250	MASTER CONTROL BOARD	1	1	1	1	1
21	222252	ADAPTER BOARD - W/LI	1	1	1	1	1
22	1030-2895	PLATE, MOUNTING RJ45, 2 HOLE (RJ12/RJ45)				1	
23	1030-2571	PLATE, MOUNTING RJ45, 3 HOLE (RJ12/RJ45)	1	1	1		1
24	156617	COUPLER, 8X8 RJ45 (Cat 3)				1	
25	156616	COUPLER, 6X6 RJ12 (Cat 3)				1	
26	166147	COUPLER, 8X8 RJ45 (Cat 5e)	2/3	2/3	2/3		2/3
27	1030-2906	SHIELD, CABLE LG (Ref. 1030-2912)	1	1	1		1
	1030-2907	SHIELD, CABLE SM (Ref. 1030-2911)				1	
Not Shown	222109	CABLE, RJ45 CAT 5E, MALE x MALE, 25' BLACK	AS REQUIRED				
Not Shown	156491	CABLE, RJ12, MALE x MALE, 8'	AS REQUIRED				
Not Shown	600376	KIT, KM CONVERSION, MASTER CONTROL	1	1	1	1	1
Not Shown	600377	KIT, KM CONVERSION, SATELLITE CONTROL	1	1	1	1	1

Table: PL-2 IRHS Control Compartment & Kitchen Minder

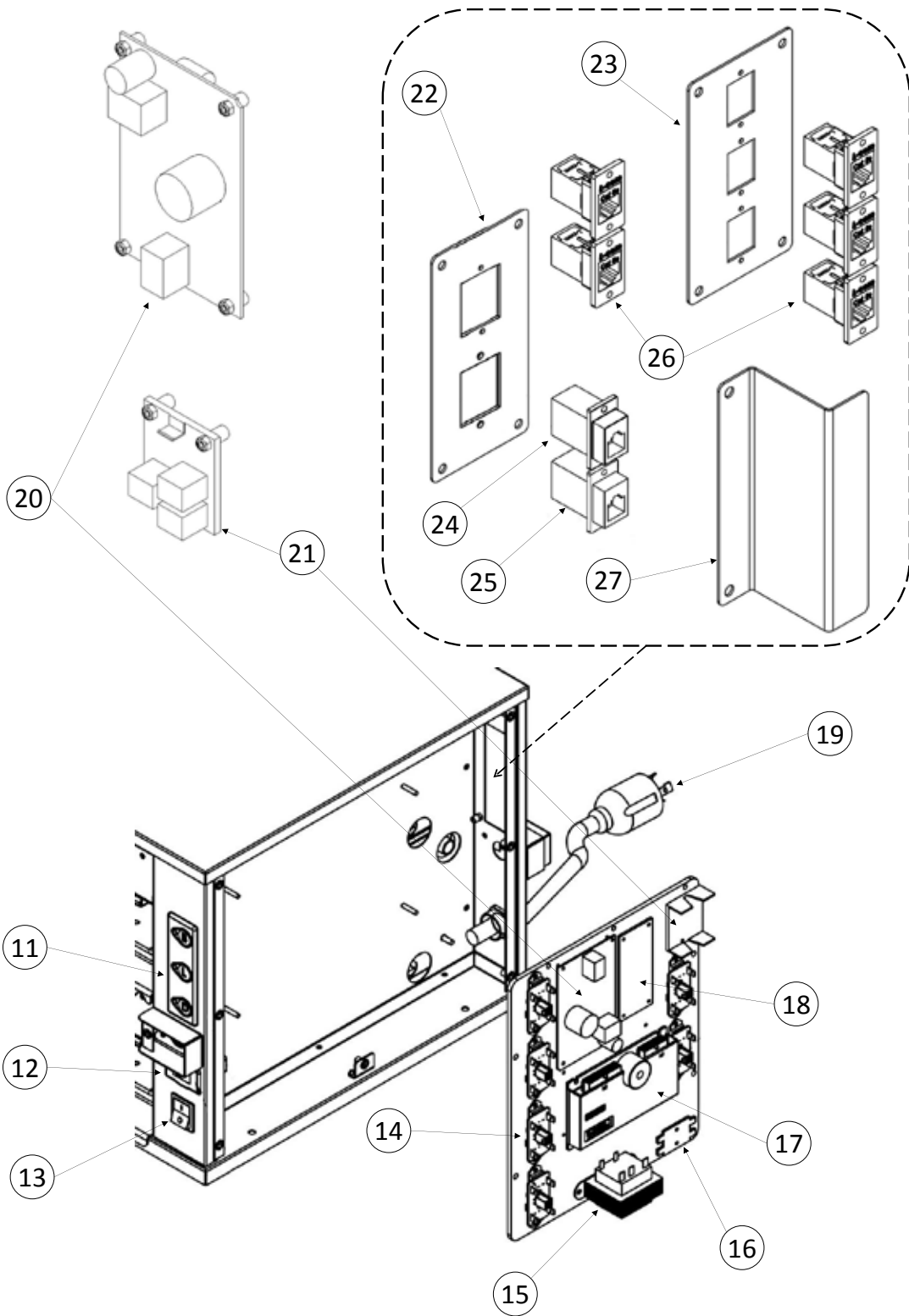


Figure: PL-2 IRHS Control Compartment & Kitchen Minder

PARTS LIST – INFRARED HEATSINK™ HOLDING UNIT

Kitchen Minder Connections (If Installed)			Quantity
Locator	Part #	Description	
24	156617	COUPLER, 8X8 RJ45 (Cat 3)	AS REQUIRED
25	156616	COUPLER, 6X6 RJ12 (Cat 3)	
28	222109	CABLE, RJ45 CAT 5E, MALE x MALE, 25' BLACK	
29	156491	CABLE, RJ12, MALE x MALE, 8'	

Table: PL-3 IRHS Kitchen Minder Connections

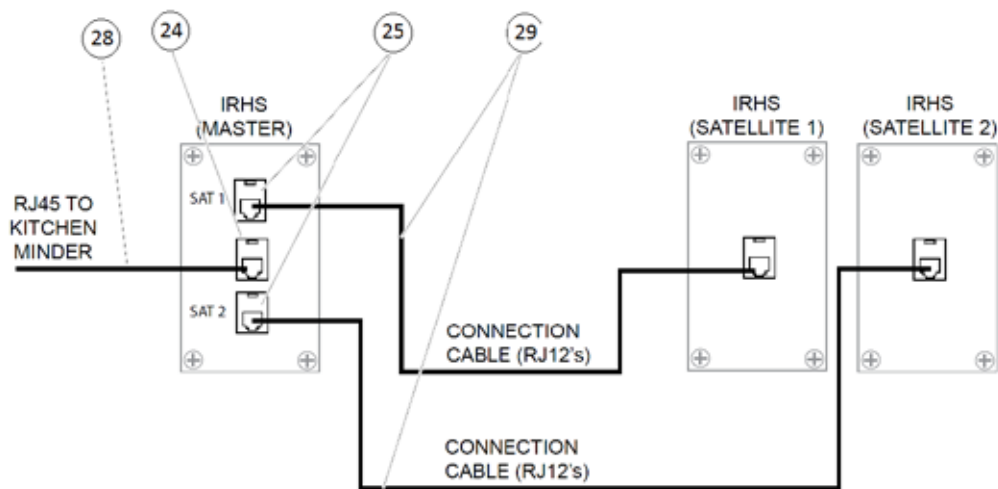


Figure: PL-3 IRHS Kitchen Minder Connections

PARTS LIST – INFRARED HEATSINK™ HOLDING UNIT

IRHS VISOR COMPONENTS (If Installed)			Quantity per Unit				
Locator	P/N	Description	IRHS-22	IRHS-23	IRHS-24	IRHS-34	IRHS-42
30	1031-0087	PANEL, CONTROL, 3X4, RH				1	
	1031-0082	PANEL, CONTROL, 2X2, 2X3-RHC, LH	1	1			
	1031-0081	PANEL, CONTROL, 2X3-IHC, 2X4, RH			1		1
	1031-0080	PANEL, CONTROL, 2X2, 2X3-RHC, RH	1	1			
31	120102	HOLDER, FUSE	1	1	1	1	1
32	120103	FUSE, 12A	2	2	2		2
	166030	FUSE, 16A				2	
33	120011	PCB, 12V PWR 208/230V	1	1	1	1	1
34	600417	ACM, PCB SERVICE KIT	1	1	1	1	1
35	600418	10-3 PCB ASSEMBLY SERVICE KIT	1	1	2	3	2
36	600419	TRIAC PCB ASSY SERVICE KIT	2	2	4	6	4
37	212106	CONNECTOR, 5 CONDUCTOR	AS REQUIRED				
38	1031-0159	PLATE, COVER, OUTER PEMSTUDS	1	1	1	1	1
39	166136	INDICATOR, LED, FLUSH BEZEL	1	1	1	1	1
40	1031-0018	PLATE, USB PANEL MT	1	1	1	1	1
41	166111	MODULAR, JACK IP67	1	1	1	1	1
42	166141	JUMPER, USB TO USB	1	1	1	1	1
43	1031-0036	COVER, ETHERNET CABLE	1	1	1	1	1
Not Shown	167614	SENSOR, CURRENT	1	1	1	1	1
Not Shown	600393	KIT, MENU BAR TO DMC 2X2 RH, 2X3 RH	1	1			
Not Shown	600394	KIT, MENU BAR TO DMC 2X2 LH, 2X3 LH	1	1			
Not Shown	600395	KIT, MENU BAR TO DMC 2X4 RH			1		
Not Shown	600396	KIT, MENU BAR TO DMC 3X4 RH				1	

Table: PL-4 IRHS Visor Components

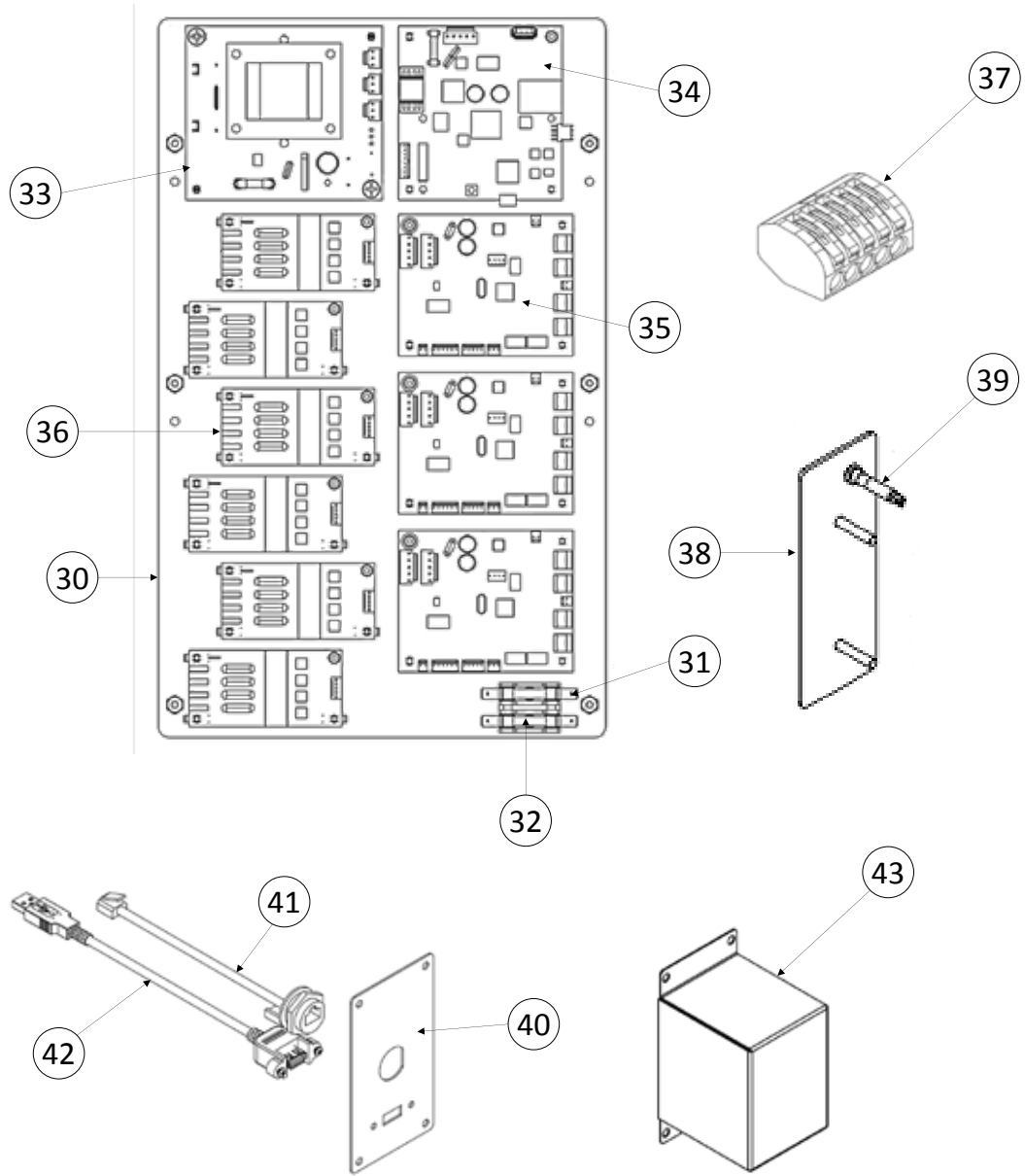


Figure: PL-4 IRHS Visor Components



Your Solutions Partner

Duke Manufacturing Co.

2305 N. Broadway • St. Louis, MO 63102

800-735-3853 • 314-231-1130

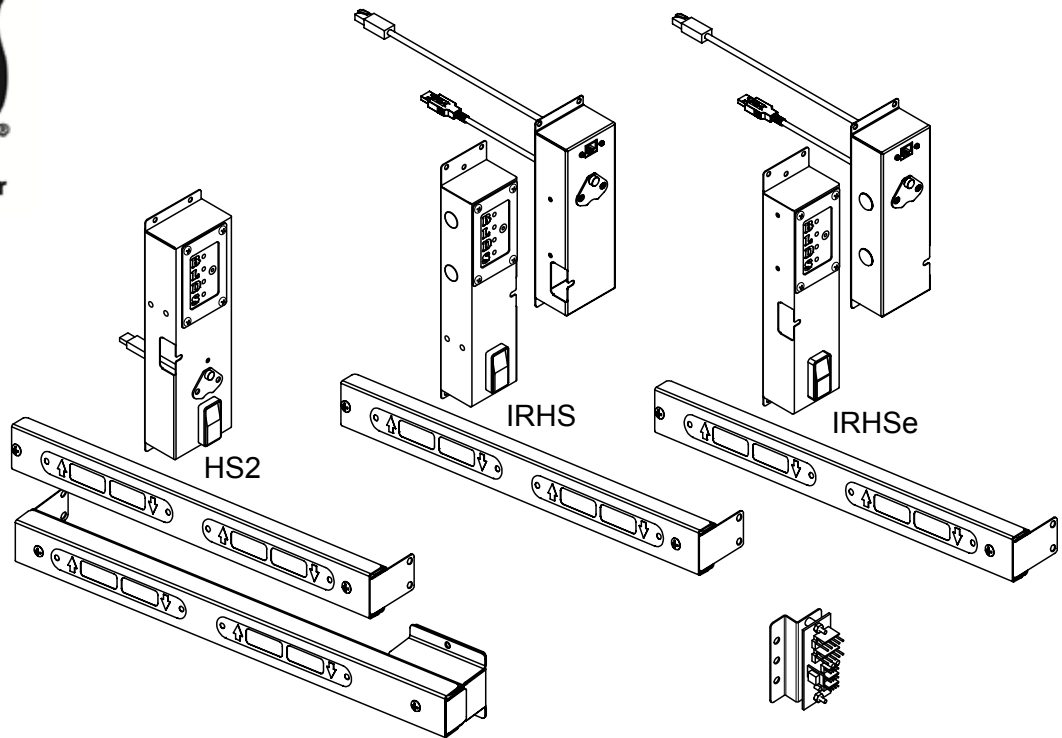
Fax: 314-231-5074

www.dukemfg.com

Illustrated Parts List



Your Solutions Partner



VISOR RETROFIT CONVERSION KITS

MODELS

HS2

IRHS

IRHSe

*This manual is Copyright © 2018 Duke Manufacturing Co. All rights reserved.
Reproduction without written permission is prohibited. Duke is a registered
trademark of the Duke Manufacturing Co.*

Duke Manufacturing Co.

2305 N. Broadway • St. Louis, MO 63102

800.735.3853 • 314.231.1130

Fax: 314-231-5074

www.dukemfg.com

How to Determine Manufacture Date from Duke Equipment Serial Numbers

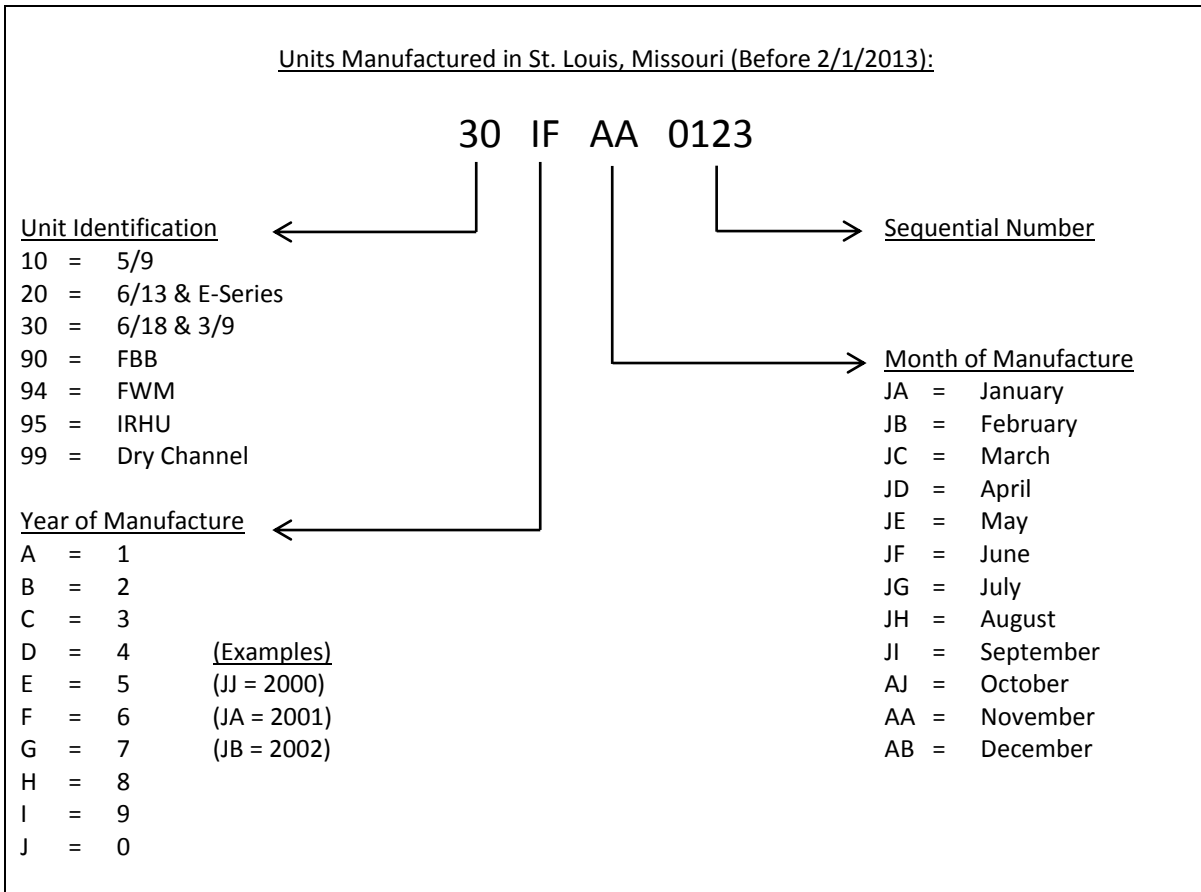
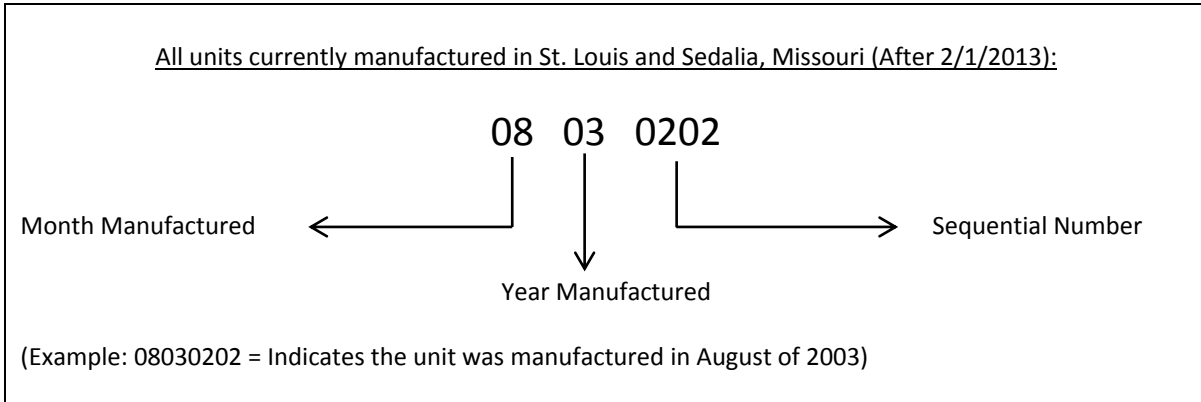
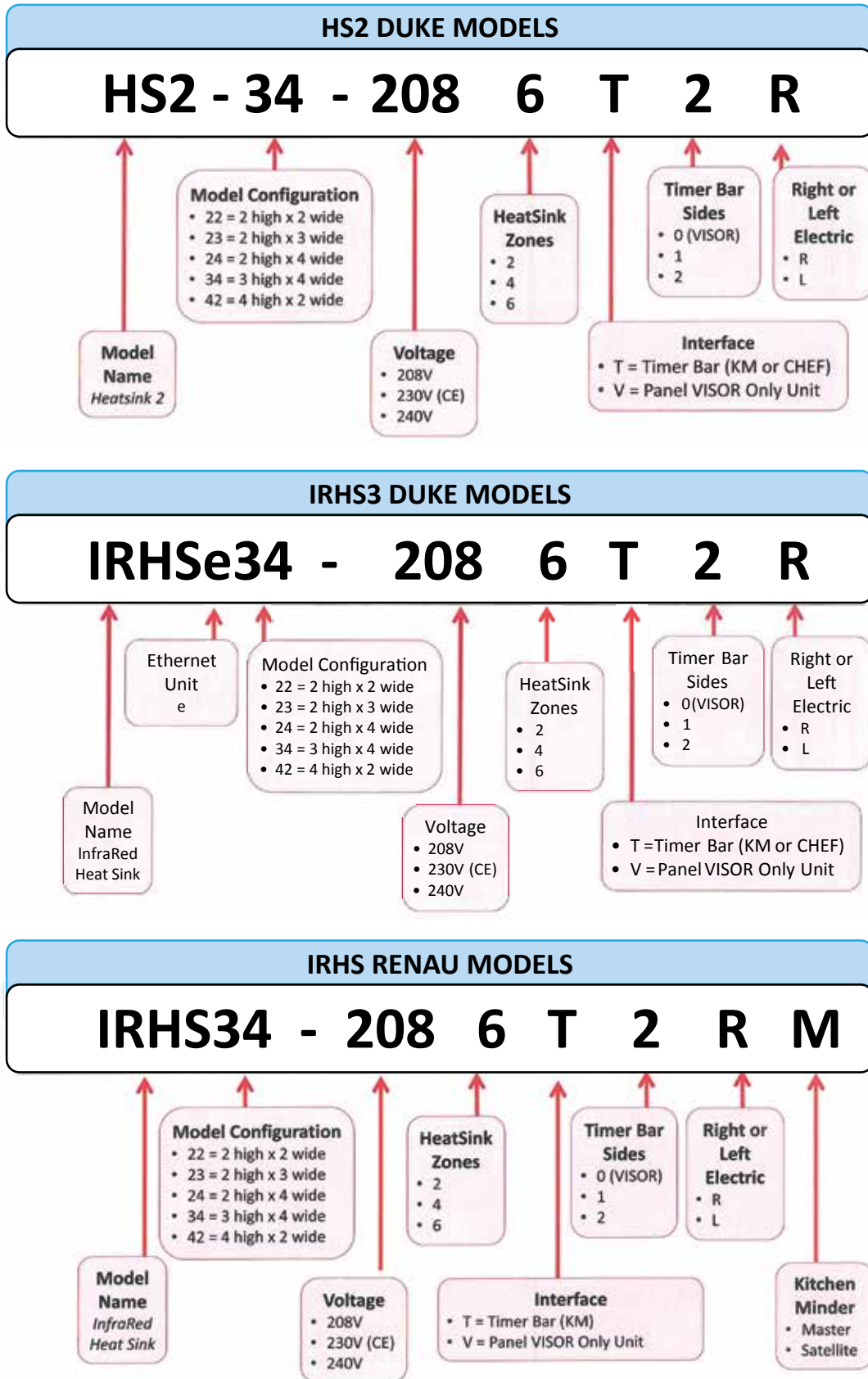


TABLE OF CONTENTS

MODEL NUMBER CONVENTION	4
HS2 - IRHS - IRHSe WIRE HARNESSSES	5
HS2 VISOR CONVERSION KIT.....	6-7
IRHS VISOR CONVERSION KIT	8-9
IRHSe VISOR CONVERSION KIT	10-11
HS2 WIRE DIAGRAMS	12-16
IRHS WIRE DIAGRAMS	18-22
IRHSe WIRE DIAGRAMS	24-28

MODEL NUMBER CONVENTION



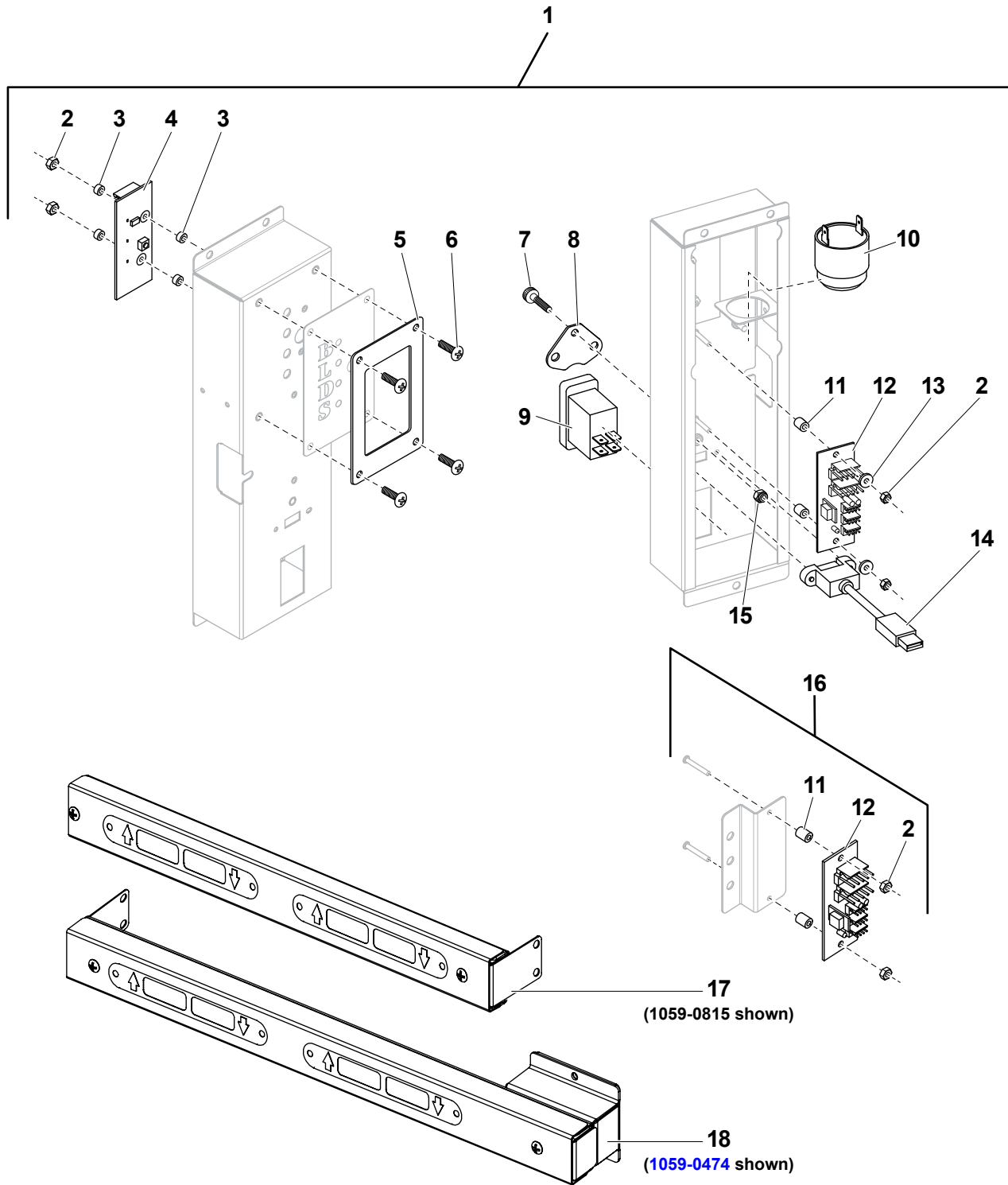
HS2 - IRHS - IRHSe WIRE HARNESSSES

HS2 Wire Harnesses - Visor Retrofit Conversion Kits											
PART NO.	DESCRIPTION	HS2-22		HS2-23		HS2-24		HS2-34		HS2-42	
		TR1	TR2	TR1	TR2	TR1	TR2	TR1	TR2	TR1	TR2
ELC0137	Harness, Jumper Day Part	1	1	1	1	1	1	1	1	1	1
ELC0138	Harness, Jumper Can & Pwr	1	1	1	1	1	1	1	1		
ELC0140	Harness, Jumper Main Switch	1	1	1	1	1	1	1	1	1	1
ELC0161	Harness, Jumper Rear Timer Bar		1		1		1		1		
ELC0166	Harness, Jumper T/Bar Power to T/Bar Power							1			
166104	Harness, Jumper, IO to IO								1		1
ELC0171	Harness, Jumper Can & Power									1	1
ELC0172	Harness, Jumper Rear Timer Bar										1

IRHS Wire Harnesses - Visor Retrofit Conversion Kits																	
PART NO.	DESCRIPTION	IRHS-22-LH		IRHS-22-RH		IRHS-23-LH		IRHS-23-RH		IRHS-24-RH		IRHS-34-RH		IRHS-34-RH Tall-Special		IRHS-42-RH	
		T1L	T2L	T1R	T2R	T1L	T2L	T1R	T2R	T1R	T2R	T1R	T2R	T1R	T2R	T1R	T2R
ELC0137	Harness, Jumper Day Part	1	1	1	1	1	1	1	1	1	1	1	1	1	1	1	1
ELC0138	Harness, Jumper CAN & Pwr	1	1	1	1	1	1	1	1	1	1	1	1	1	1		
ELC0140	Harness, Jumper Main Switch	1	1	1	1	1	1	1	1	1	1	1	1	1	1	1	1
ELC0161	Harness, Jumper Rear Timer Bar		1		1		1		1		1		1		1		
ELC0166	Harness, Jumper T/Bar Power to T/Bar Power											1	2	1	2		
ELC0171	Harness, Jumper 4 x 2 CAN & Pwr															1	1

IRHSe Wire Harnesses - Visor Retrofit Conversion Kits													
PART NO.	DESCRIPTION	IRHSe-22-RH		IRHSe-23-RH		IRHSe-24-RH		IRHSe-34-RH		IRHSe-42-RH			
		T1R	T2R	T1R	T2R	T1R	T2R	T1R	T2R	T1R	T2R		
ELC0137	Harness, Jumper Day Part	1	1	1	1	1	1	1	1	1	1		
ELC0138	Harness, Jumper CAN & Pwr	1	1	1	1	1	1	1	1				
ELC0140	Harness, Jumper Main Switch	1	1	1	1	1	1	1	1	1	1		
ELC0161	Harness, Jumper Rear Timer Bar		1		1		1		1				
ELC0166	Harness, Jumper T/Bar Power to T/Bar Power							1	2				
ELC0171	Harness, Jumper 4 x 2 CAN & Pwr									1	1		
ELC0172	Harness, Jumper 4 x 2 Rear Timer Bar										1		

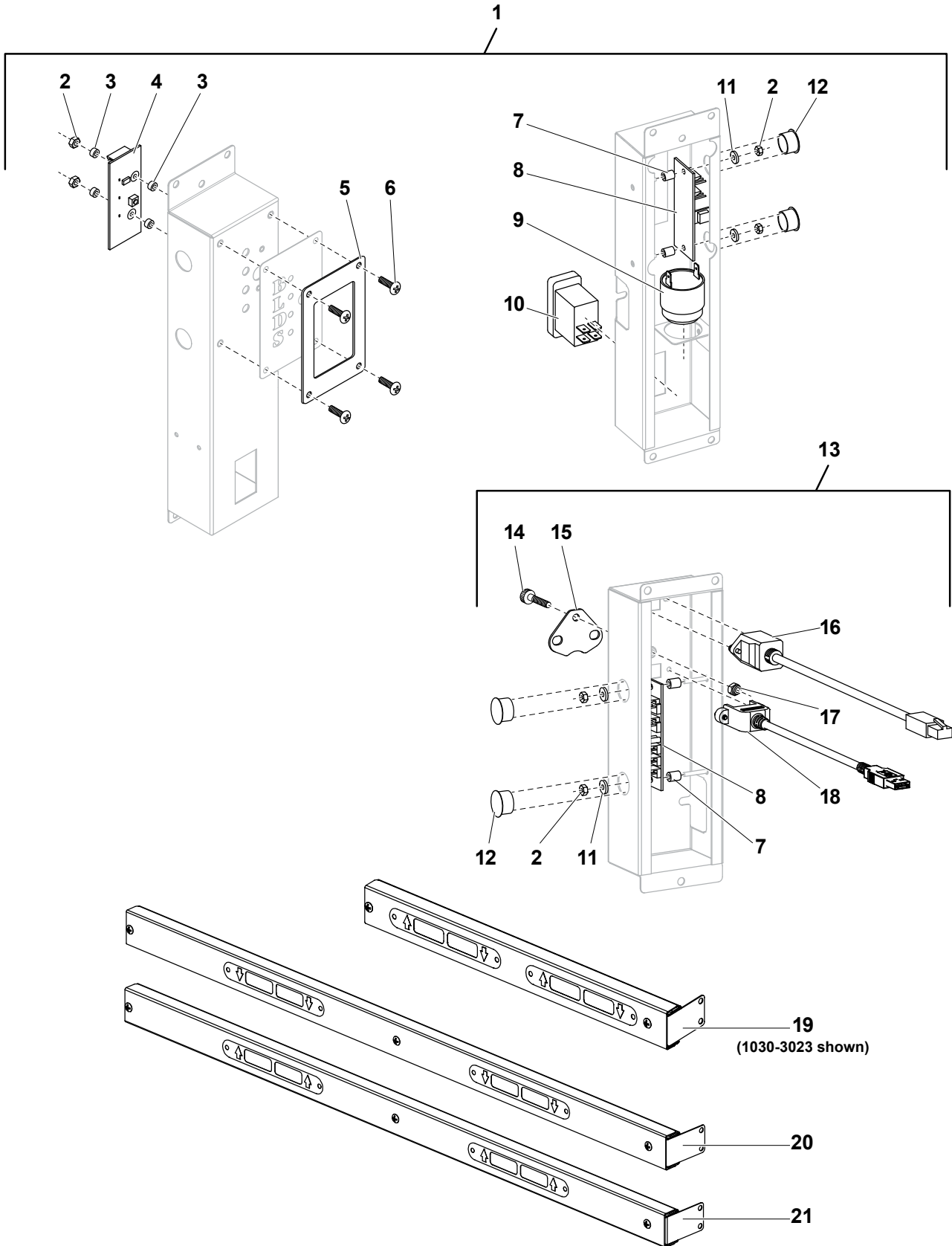
HS2 VISOR CONVERSION KIT



HS2 VISOR CONVERSION KIT

ITEM	PART NO.	DESCRIPTION	HS2-22		HS2-23		HS2-24		HS2-34		HS2-42	
			TR1	TR2	TR1	TR2	TR1	TR2	TR1	TR2	TR1	TR2
CONVERSION HOUSINGS - VISOR RETROFIT CONVERSION KITS (CONVERSION HOUSING COMPONENTS LISTED BELOW)												
1	1059-0795K	HS2 Visor Conversion Housing, Front, 2 High	1	1	1	1	1	1				
	1059-0790K	HS2 Visor Conversion Housing, Front, 3 High							1	1		
	1059-0820K	HS2 Visor Conversion Housing, Front, 4 High									1	1
Components – Conversion Housings												
2	223470	Nut, 4-40 Nylon Locknut	4	4	4	4	4	4	4	4	4	4
3	225171	Spacer, Round, 1/4" x 1/8" x .166 ID	1	1	1	1	1	1	1	1	1	1
4	225184	Day Part PCB	4	4	4	4	4	4	6	6	4	4
5	1059-0394	Bezel, Daypart Mylar	1	1	1	1	1	1	1	1	1	1
6	279500	Screw, 8-32 x 1/2" PTHMS 18-8SS	4	4	4	4	4	4	4	4	4	4
7	1059-0731	Screw, Knurled Thumb 8-32 x 5/8 SS	1	1	1	1	1	1	1	1	1	1
8	1059-0679	Cover, USB	1	1	1	1	1	1	2	2	1	1
9	169629	Switch, Sealed Carling	2	2	2	2	2	2	4	4	2	2
10	512766	Buzzer, Ultra Loud Continuous Tone	2	2	2	2	2	2	4	4	2	2
11	166100	Spacer, Tube Nylon .25OD x .125ID x .375H	1	1	1	1	1	1	1	1	1	1
12	225181	Assembly, Timer Bar 5V Power PCB	1	1	1	1	1	1	1	1	1	1
13	166102	Washer, 0.375OD x 0.13ID x 0.062THK	1	1	1	1	1	1	1	1	1	1
14	ELC0084	USB-A To Panel Mount USB-A	1	1	1	1	1	1	1	1	1	1
15	1059-0732	Nut, 8-32, Flex Lock, 18-8 SS	1	1	1	1	1	1	1	1	1	1
16	1059-0792K	HS2 Visor Conv. Mtg. Brkt. & P-Brd, T-Bar		1		1		1		2		2
TIMER BARS - VISOR RETROFIT CONVERSION KITS (Timer Bar Components not sold separately)												
17	1059-0815K	HS2 Visor Conversion, Front Timer Bar 2W	1	1							2	2
18	1059-0474K	HS2 Visor Conversion, Rear Timer Bar 2W		1								2
17	1059-0810K	HS2 Visor Conversion, Front Timer Bar 3W			1	1						
18	1059-0443K	HS2 Visor Conversion, Rear Timer Bar 3W				1						
17	1059-0788K	HS2 Visor Conversion, Front Timer Bar 4W					1	1	1	1		
18	1059-0210K	HS2 Visor Conversion, Rear Timer Bar 4W						1		1		
17	1059-0785K	HS2 Visor Conversion, Top Front Timer Bar 4W							1	1		
18	1059-0475K	HS2 Visor Conversion, Top Rear Timer Bar 4W								1		

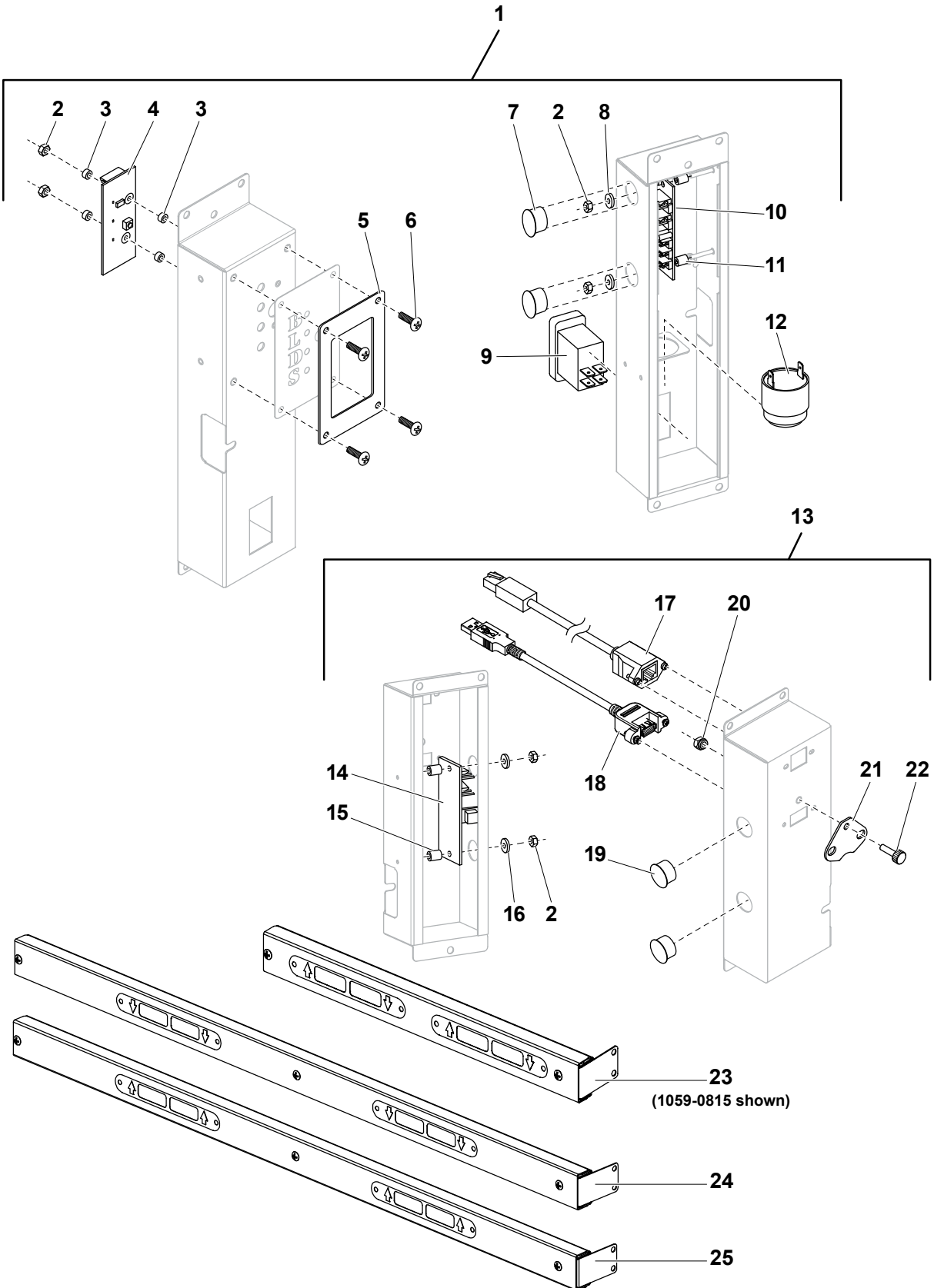
IRHS VISOR CONVERSION KIT



IRHS VISOR CONVERSION KIT

ITEM	PART NO.	DESCRIPTION	IRHS-22-LH		IRHS-22-RH		IRHS-23-LH		IRHS-23-RH		IRHS-24-RH		IRHS-34-RH		IRHS-34-RH Tall-Special		IRHS-42-RH		
			T1L	T2L	T1R	T2R	T1L	T2L	T1R	T2R	T1R	T2R	T1R	T2R	T1R	T2R	T1R	T2R	
FRONT CONVERSION HOUSINGS - VISOR RETROFIT CONVERSION KITS																			
1	1030-3011K	IRHS Visor Conversion Housing, LH, Frontt, 2H	1	1			1	1											
	1030-2992K	IRHS Visor Conversion Housing, RH, Front, 2H			1	1			1	1	1	1							
	1030-2990K	IRHS Visor Conversion Housing, RH, Front, 3H											1	1					
	1030-3049K	IRHS Visor Conversion Housing, RH, Tall-Special Front, 3H													1	1			
	1030-3025K	IRHS Visor Conversion Housing, RH, Front, 4H																1	1
Components - Front Conversion Housings																			
2	223470	Nut, 4-40 Nylon Locknut	4	4	4	4	4	4	4	4	4	4	6	6	6	6	4	4	
3	225171	Spacer, Round1/4" x 1/8" x .166 ID	4	4	4	4	4	4	4	4	4	4	4	4	4	4	4	4	
4	225184	Day Part PCB	1	1	1	1	1	1	1	1	1	1	1	1	1	1	1	1	
5	1059-0394	Bezel, Day Part Mylar	1	1	1	1	1	1	1	1	1	1	1	1	1	1	1	1	
6	279500	Screw, 8-32 x 1/2" PTHMS 18-8SS	4	4	4	4	4	4	4	4	4	4	4	4	4	4	4	4	
7	166100	Spacer, Tube Nylon 0.25OD x 0.125ID x 0.375H	2	2	2	2	2	2	2	2	2	2	4	4	4	4	2	2	
8	225181	Assembly, Timer Bar 5V Power PCB	1	1	1	1	1	1	1	1	1	1	2	2	2	2	1	1	
9	512766	Buzzer, Ultra Loud Continuous Tone	1	1	1	1	1	1	1	1	1	1	1	1	1	1	1	1	
10	169629	Switch, Sealed Carling	1	1	1	1	1	1	1	1	1	1	1	1	1	1	1	1	
11	166102	Washer, 0.375OD x 0.13ID x 0.062THK	2	2	2	2	2	2	2	2	2	2	4	4	4	4	2	2	
12	214487	Plug, Dome DP 5/8" Black	2	2	2	2	2	2	2	2	2								
REAR CONVERSION HOUSINGS - VISOR RETROFIT CONVERSION KITS																			
13	1030-3013K	IRHS Visor Conversion Housing, LH, Rear, 2H			1			1											
	1030-2993K	IRHS Visor Conversion Housing, RH, Rear, 2 H				1			1		1								
	1030-2991K	IRHS Visor Conversion Housing, RH, Rear, 3H											1						
	1030-3051K	IRHS Visor Conversion Housing, RH, Tall Special, Rear, 3H														1			
	1030-3029K	IRHS Visor Conversion Housing, RH, Rear, 4 H																1	
Components - Rear Conversion Housings																			
2	223470	Nut, 4-40 Nylon Locknut			2		2		2		2		4		4			2	
7	166100	Spacer, Tube Nylon 0.25OD x 0.125ID x 0.375H			2		2		2		2		4		4			2	
8	225181	Assembly, Timer Bar 5V Power PCB			1		1		1		1		2		2			1	
11	166102	Washer, 0.375OD x 0.13ID x 0.062THK			2		2		2		2		4		4			2	
12	214487	Plug, Dome DP 5/8" Black			2		2		2		2								
14	1059-0731	Screw, Knurled Thumb 8-32 x 5/8 SS			1		1		1		1		1		1			1	
15	1059-0679	Cover, USB			1		1		1		1		1		1			1	
16	118003	RJ45 Ethernet Cable, Panel Mount			1		1		1		1		1		1			1	
17	1059-0732	Nut, 8-32, Flex Lock 18-8 SS			1		1		1		1		1		1			1	
18	166141	Jumper, USB to USB			1		1		1		1		1		1			1	
TIMER BARS - VISOR RETROFIT CONVERSION KITS (Timer Bar Components not sold separately)																			
19	1030-3023K	IRHS Visor Conversion, Timer Bar, 2W	1	2	1	2												2	4
	1030-3018K	IRHS Visor Conversion, Timer Bar, 3W					1	2	1	2									
	1030-3000K	IRHS Visor Conversion, Timer Bar, 4W									1	2	1	2	1	2			
20	1030-3003K	IRHS Visor Conversion, Timer Bar, Top Front, 4W											1	1	1	1			
21	1030-3004K	IRHS Visor Conversion, Timer Bar, Top Rear, 4W												1	1				

IRHSe VISOR CONVERSION KIT



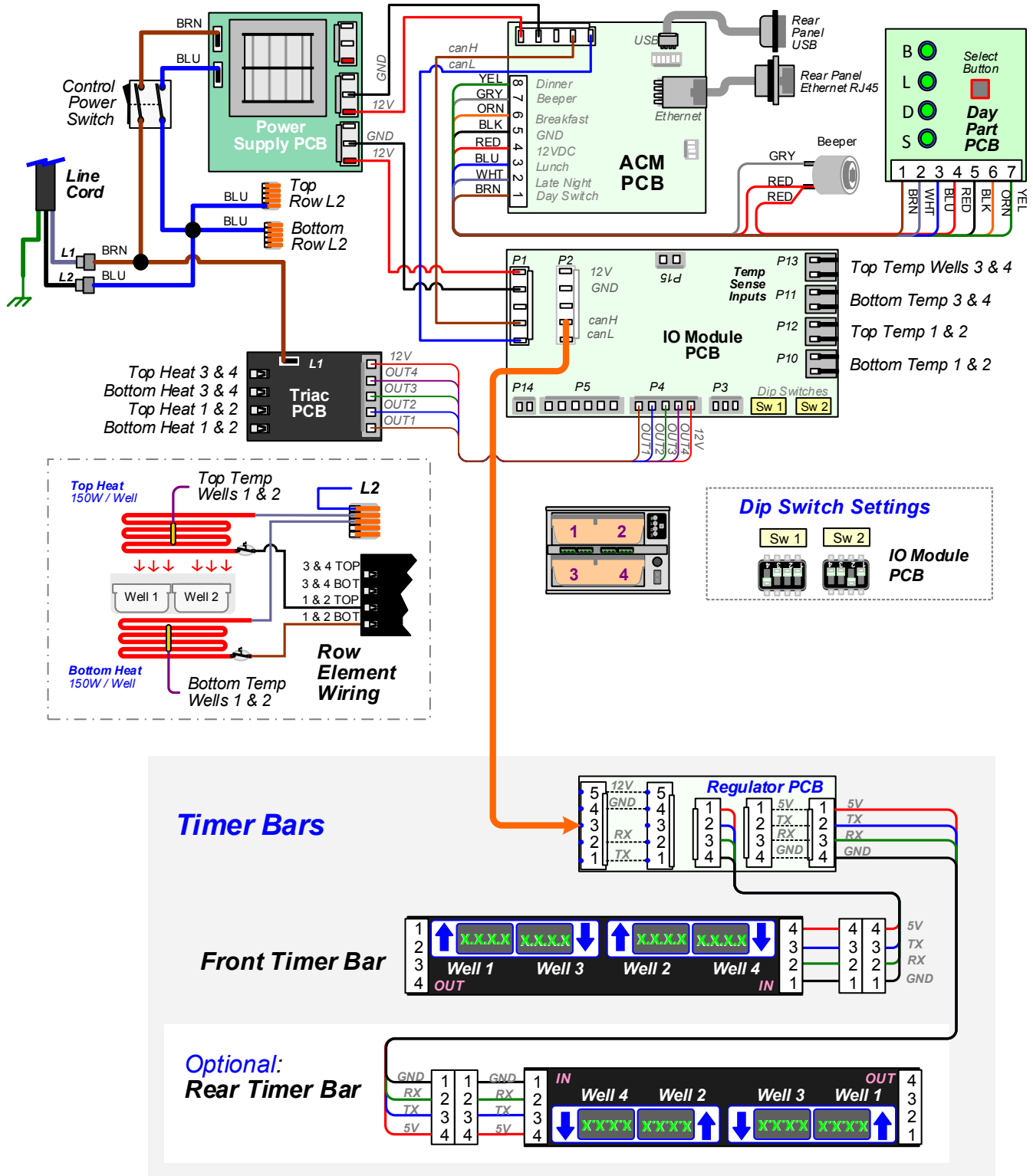
IRHSe VISOR CONVERSION KIT

ITEM	PART NO.	DESCRIPTION	IRHSe-22-RH		IRHSe-23-RH		IRHSe-24-RH		IRHSe-34-RH		IRHSe-42-RH	
			T1R	T2R	T1R	T2R	T1R	T2R	T1R	T2R	T1R	T2R
FRONT CONVERSION HOUSINGS - VISOR RETROFIT CONVERSION KITS												
1	1030-2992K	IRHS Visor Conversion Housing, RH, Front, 2H	1	1	1	1	1	1				
	1030-2990K	IRHS Visor Conversion Housing, RH, Front, 3H							1	1		
	1030-3025K	IRHS Visor Conversion Housing, RH, Front, 4H									1	1
Components - Front Conversion Housings												
2	223470	Nut, 4-40 Nylon Locknut	4	4	4	4	4	4	6	6	4	4
3	225171	Spacer, Round1/4" x 1/8" x .166 ID	4	4	4	4	4	4	4	4	4	4
4	225184	Day Part PCB	1	1	1	1	1	1	1	1	1	1
5	1059-0394	Bezel, Day Part Mylar	1	1	1	1	1	1	1	1	1	1
6	279500	Screw, 8-32 x 1/2" PTHMS 18-8SS	4	4	4	4	4	4	4	4	4	4
7	214487	Plug, Dome DP 5/8" Black	2	2	2	2	2	2				
8	166102	Washer, 0.375OD x 0.13ID x 0.062THK	2	2	2	2	2	2	4	4	2	2
9	169629	Switch, Sealed Carling	1	1	1	1	1	1	1	1	1	1
10	225181	Assembly, Timer Bar 5V Power PCB	1	1	1	1	1	1	2	2	1	1
11	166100	Spacer, Tube Nylon 0.25OD x 0.125ID x 0.375H	2	2	2	2	2	2	4	4	2	2
12	512766	Buzzer, Ultra Loud Continuous Tone	1	1	1	1	1	1	1	1	1	1
REAR CONVERSION HOUSINGS - VISOR RETROFIT CONVERSION KITS												
13	1030-2993K	IRHS Visor Conversion Housing, RH, Rear, 2H		1		1		1				
	1030-2991K	IRHS Visor Conversion Housing, RH, Rear, 3H								1		
	1030-3029K	IRHS Visor Conversion Housing, RH, Rear, 4H										1
Components - Rear Conversion Housings												
2	223470	Nut, 4-40 Nylon Locknut		2		2		2		4		2
14	225181	Assembly, Timer Bar 5V Power PCB		1		1		1		2		1
15	166100	Spacer, Tube Nylon 0.25OD x 0.125ID x 0.375H		2		2		2		4		2
16	166102	Washer, 0.375OD x 0.13ID x 0.062THK		2		2		2		4		2
17	118003	RJ45 Ethernet Cable, Panel Mount		1		1		1		1		1
18	166141	Jumper, USB to USB		1		1		1		1		1
19	214487	Plug, Dome DP 5/8" Black		2		2		2				
20	1059-0732	Nut, 8-32, Flex Lock 18-8 SS		1		1		1		1		1
21	1059-0679	Cover, USB		1		1		1		1		1
22	1059-0731	Screw, Knurled Thumb 8-32 x 5/8 SS		1		1		1		1		1
TIMER BARS - VISOR RETROFIT CONVERSION KITS (Timer Bar Components not sold separately)												
23	1030-3023K	IRHS Visor Conversion, Timer Bar, 2W	1	2							2	4
	1030-3018K	IRHS Visor Conversion, Timer Bar, 3W			1	2						
	1030-3000K	IRHS Visor Conversion, Timer Bar, 4W					1	2	1	2		
24	1030-3003K	IRHS Visor Conversion, Timer Bar, Top Front, 4W							1	1		
25	1030-3004K	IRHS Visor Conversion, Timer Bar, Top Rear, 4W								1		

HS2 2X2 WIRE DIAGRAM

WIRING DIAGRAM 2x2 HS2

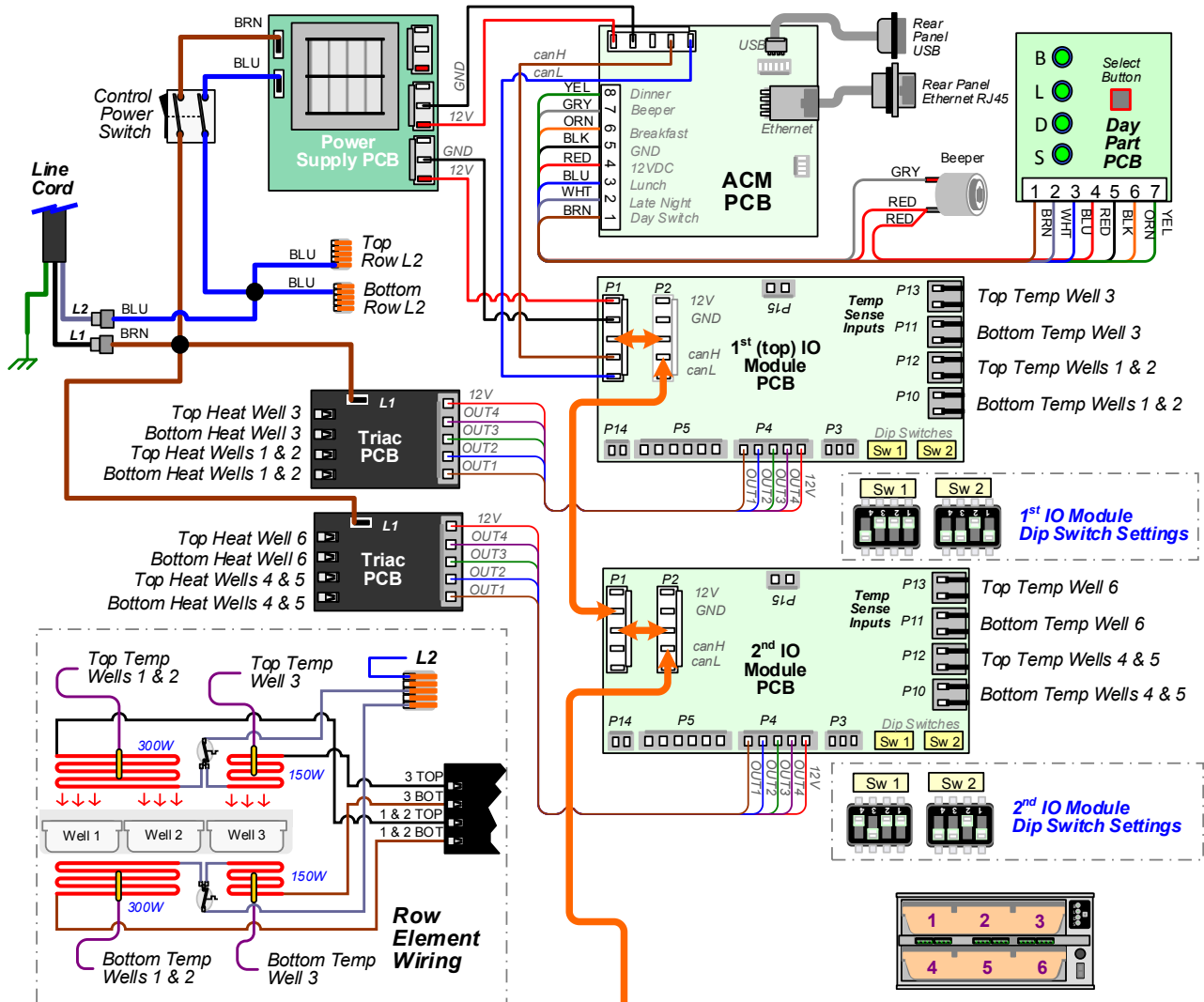
225247 Rev. C 6/1/17



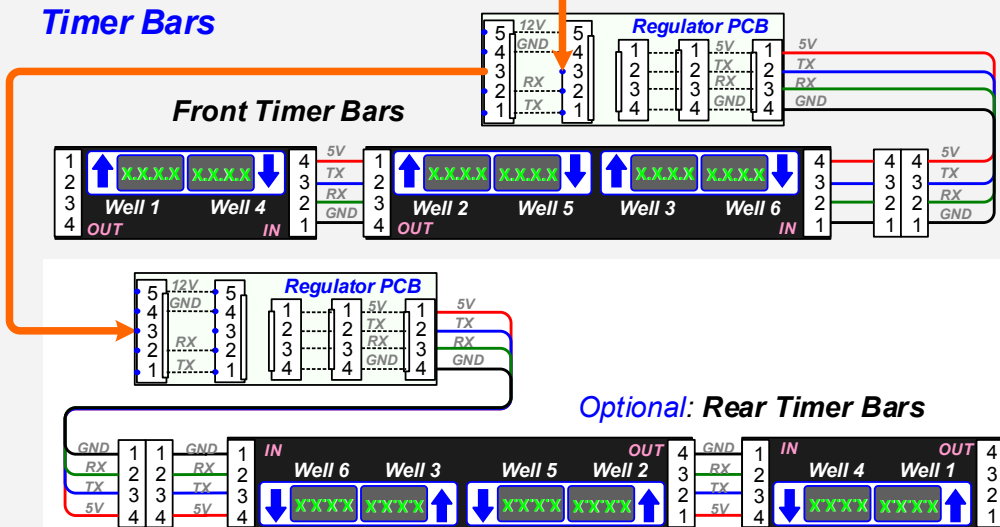
HS2 2X3 WIRE DIAGRAM

Wire Diagram - HS2 Zoned 2 x 3

ELC0131 Rev. B (2x3_4z) 6/1/17

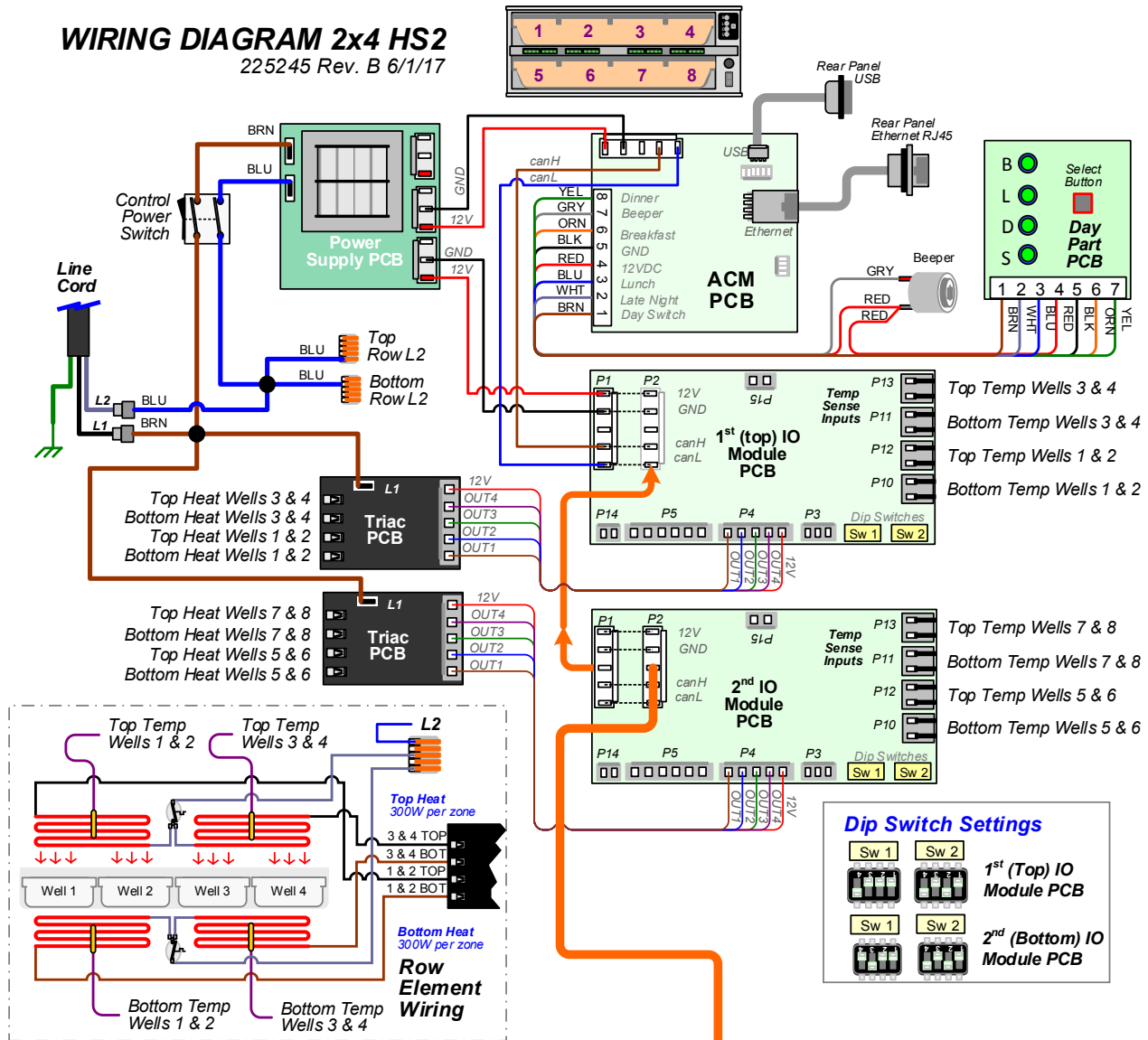


Timer Bars



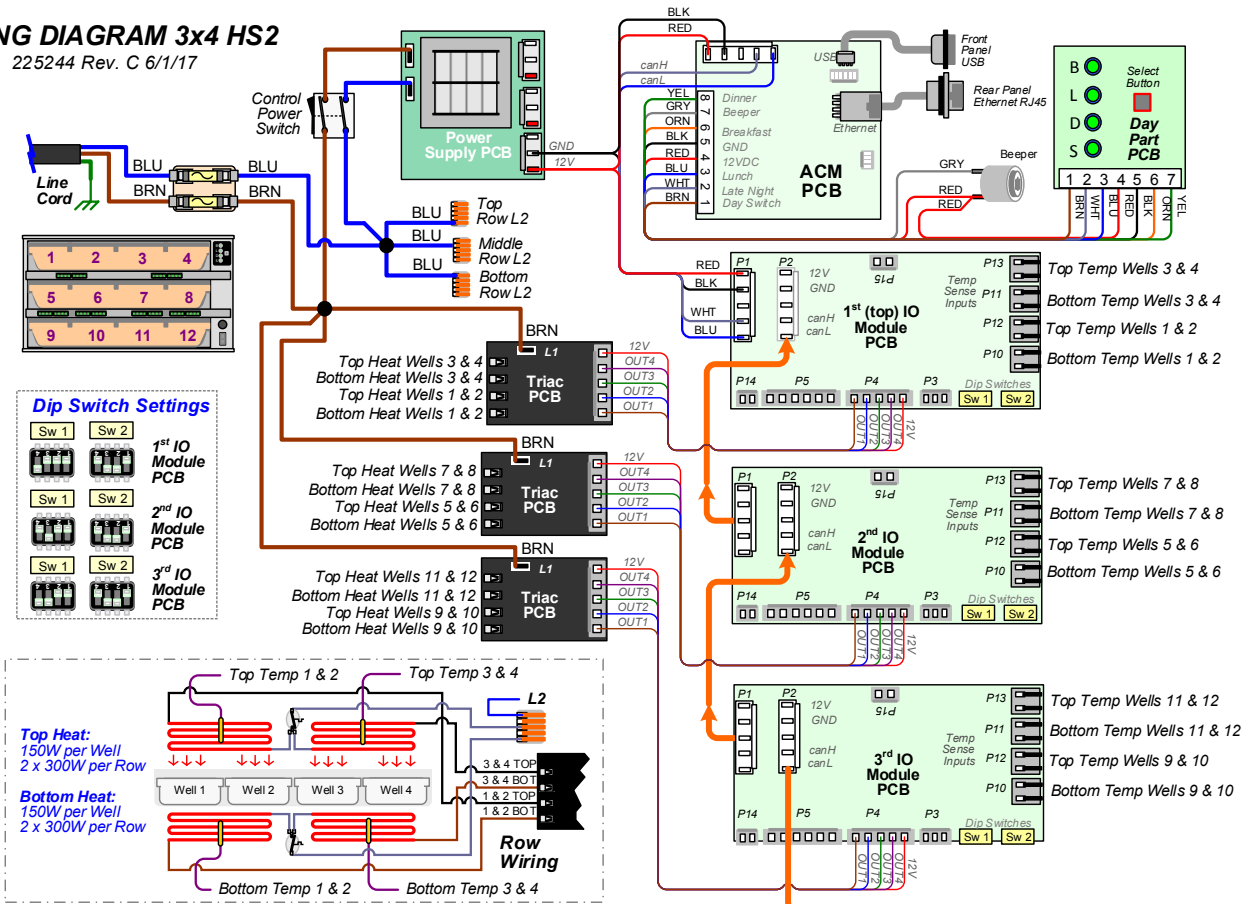
HS2 2X4 WIRE DIAGRAM

WIRING DIAGRAM 2x4 HS2 225245 Rev. B 6/1/17

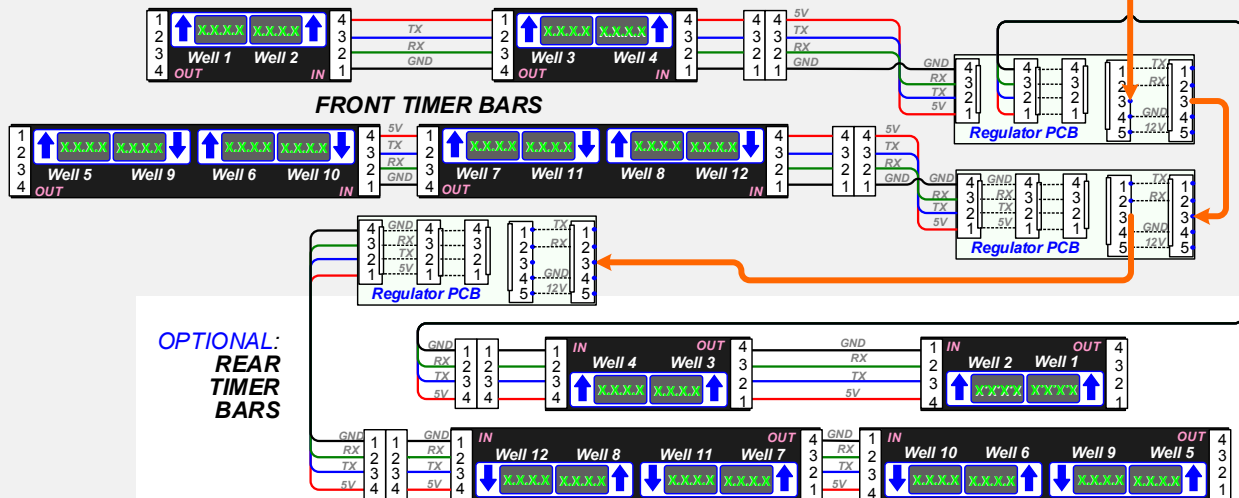


HS2 3x4 WIRE DIAGRAM

WIRING DIAGRAM 3x4 HS2
225244 Rev. C 6/1/17

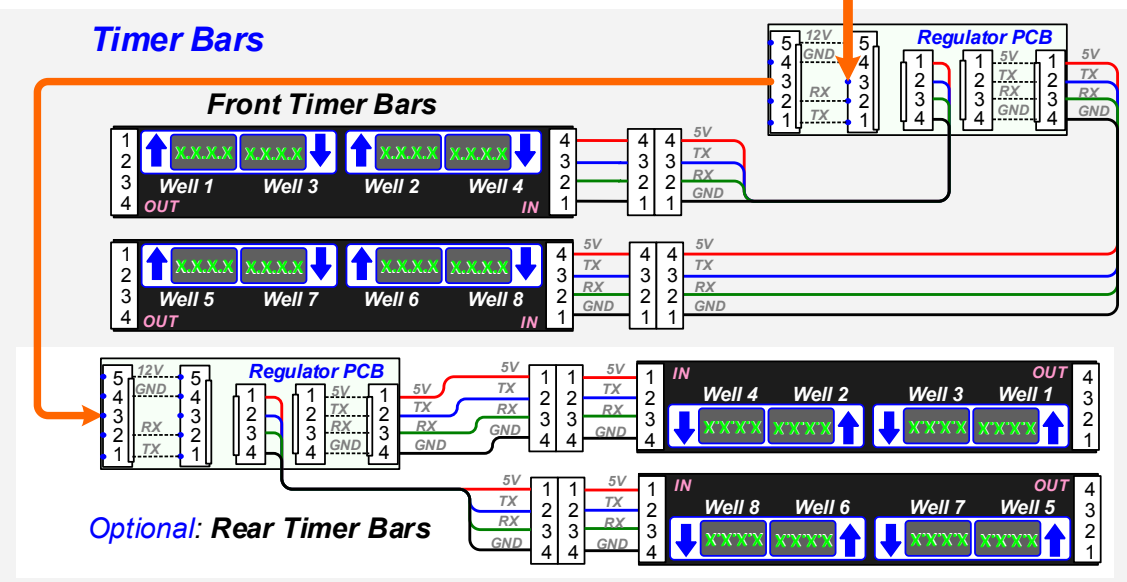
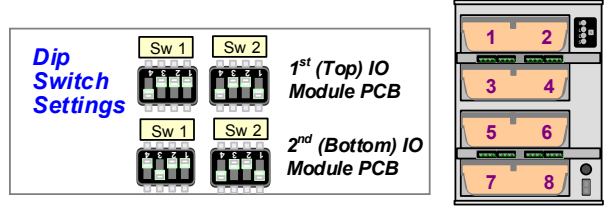
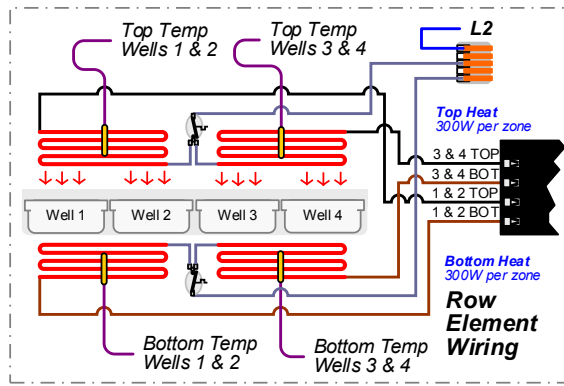
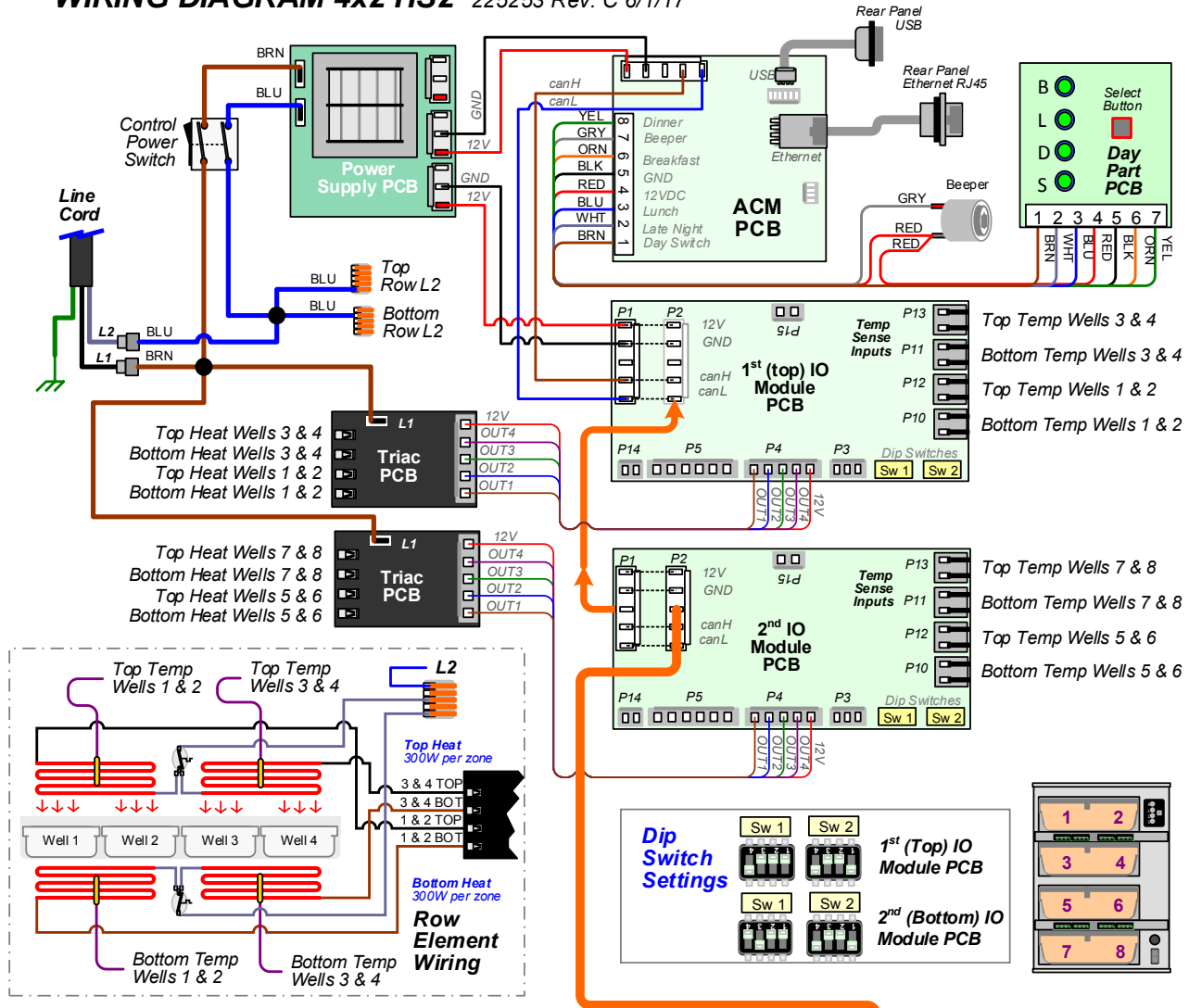


Timer Bars

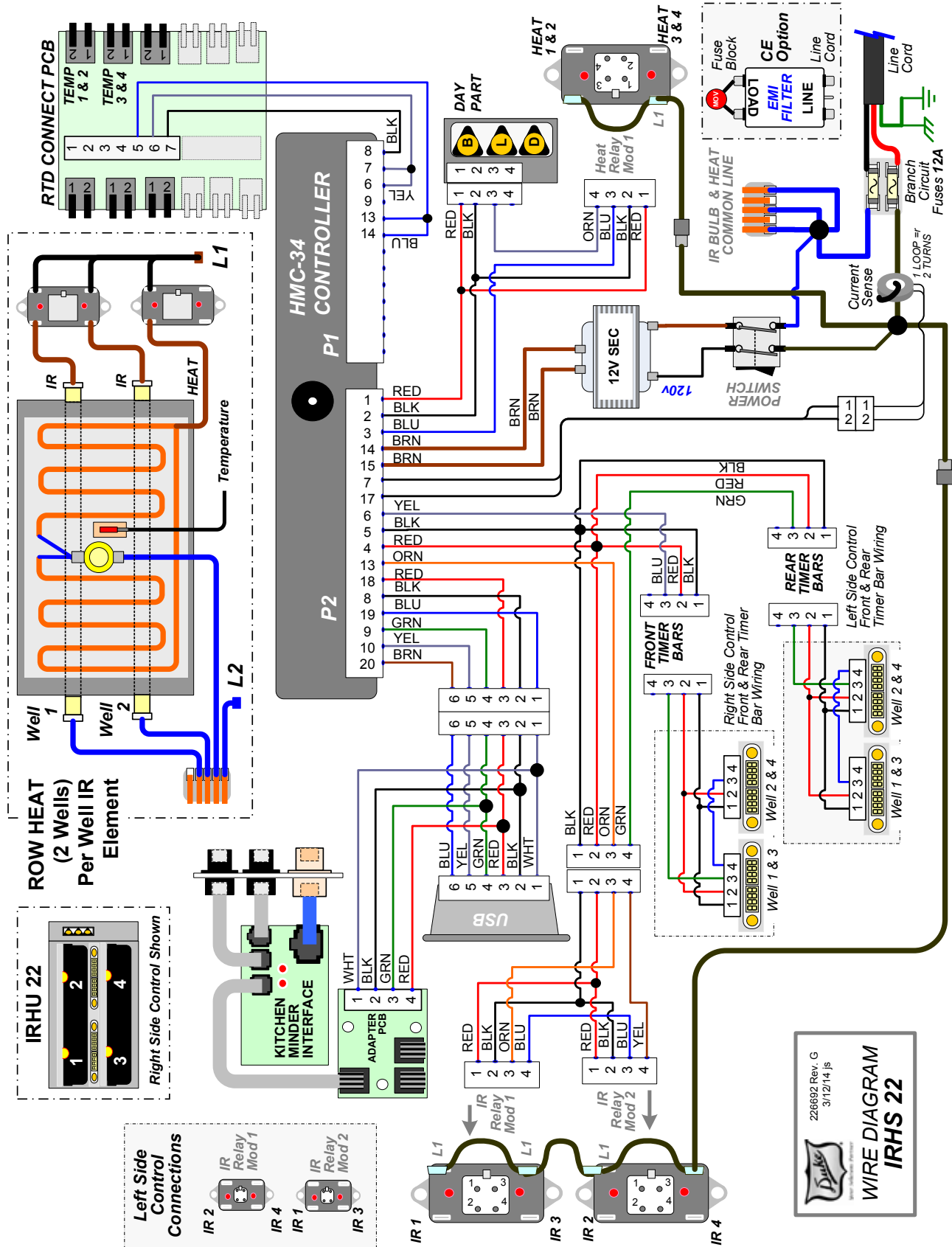


HS2 4X2 WIRE DIAGRAM

WIRING DIAGRAM 4x2 HS2 225253 Rev. C 6/1/17



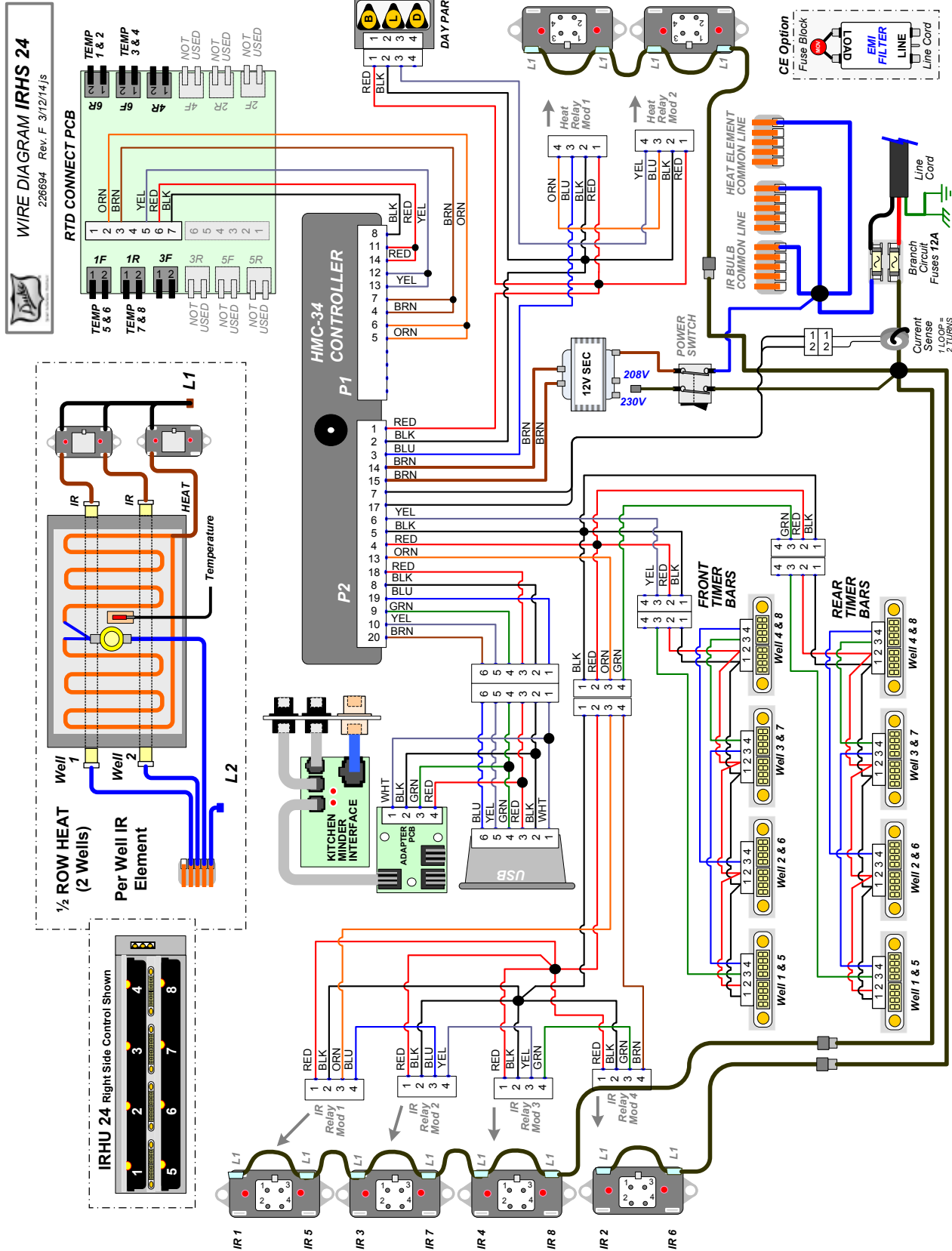
IRHS 2X2 WIRE DIAGRAM



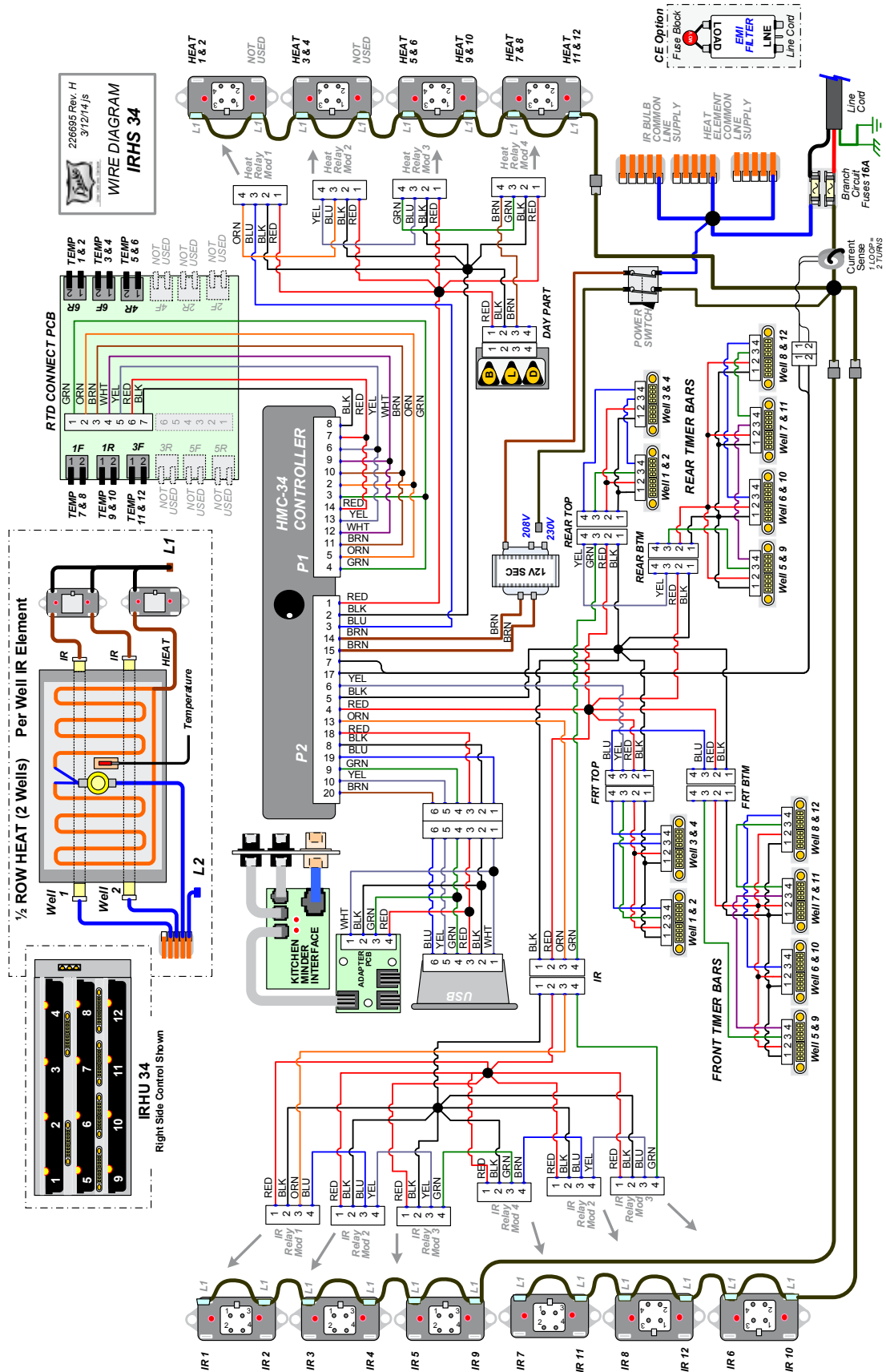
226692 Rev. G
3/12/14 js

WIRE DIAGRAM
IRHS 22

IRHS 2X4 WIRE DIAGRAM



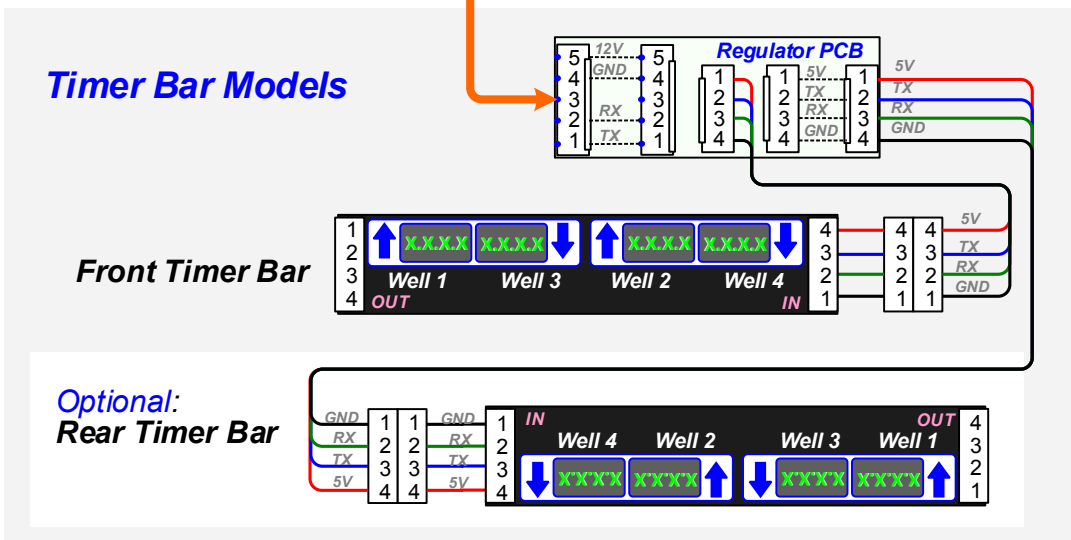
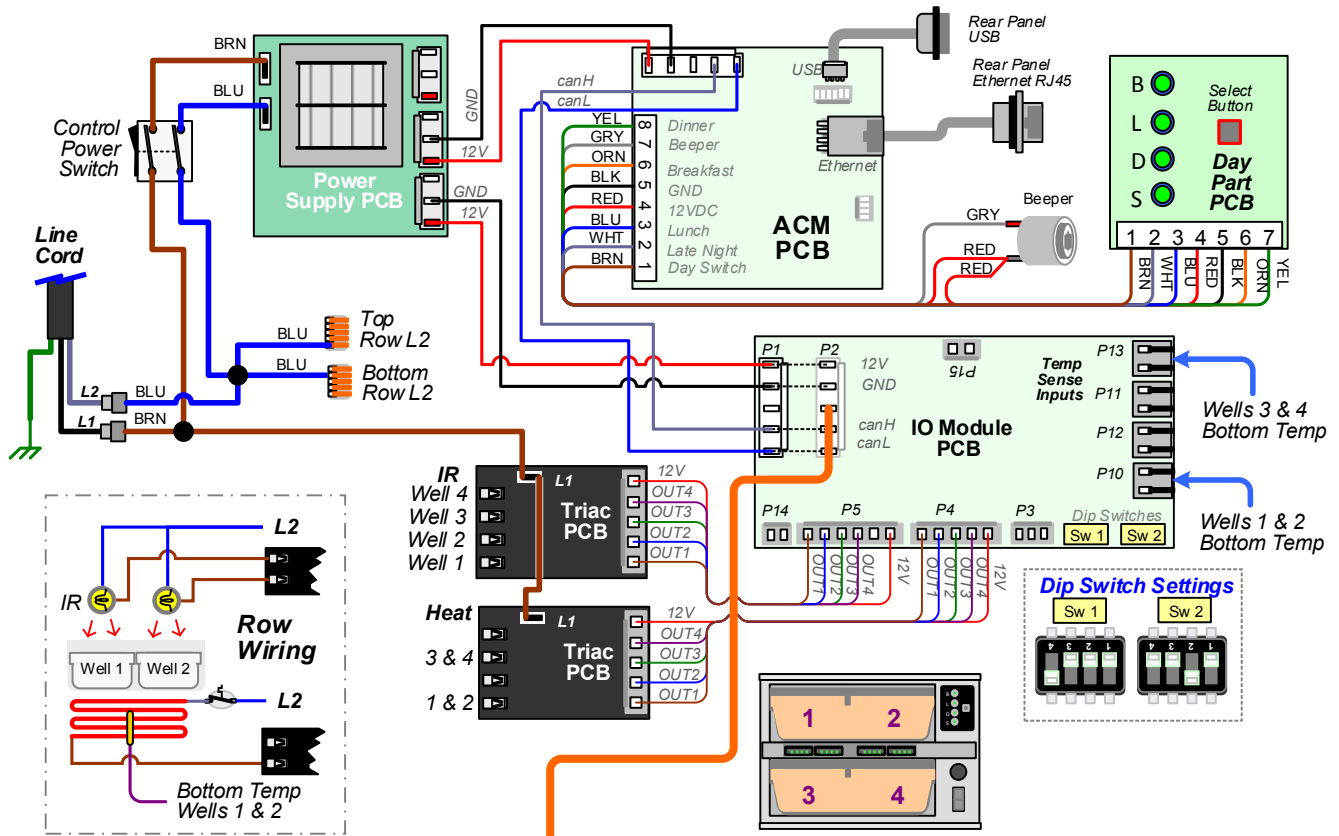
IRHS 3X4 WIRE DIAGRAM



IRHSe 2X2 WIRE DIAGRAM

WIRING DIAGRAM 2x2 IRHSE with Timer Bars

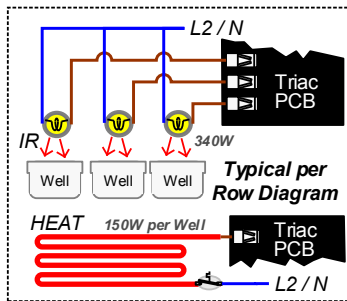
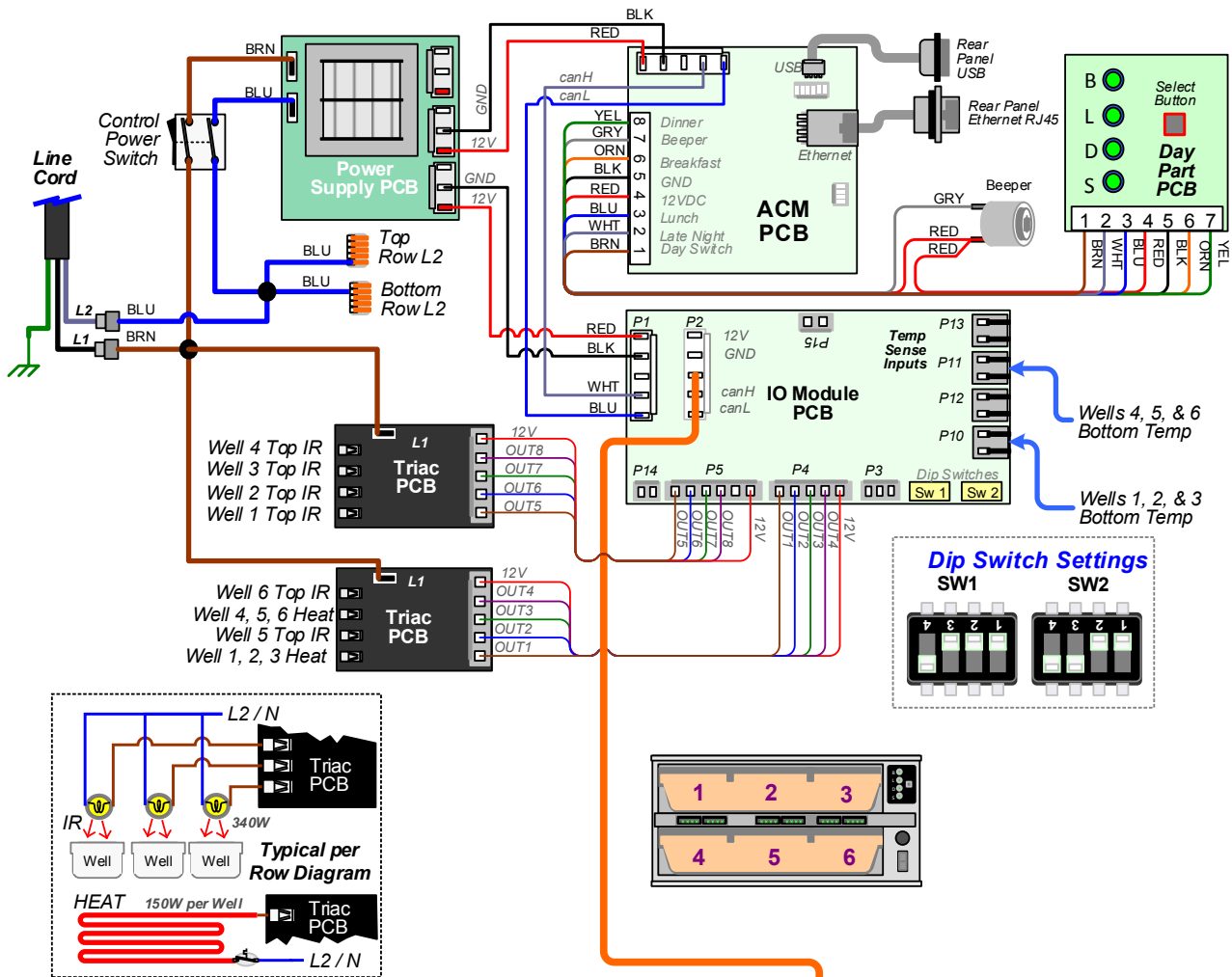
225251 Rev B 6/1/17



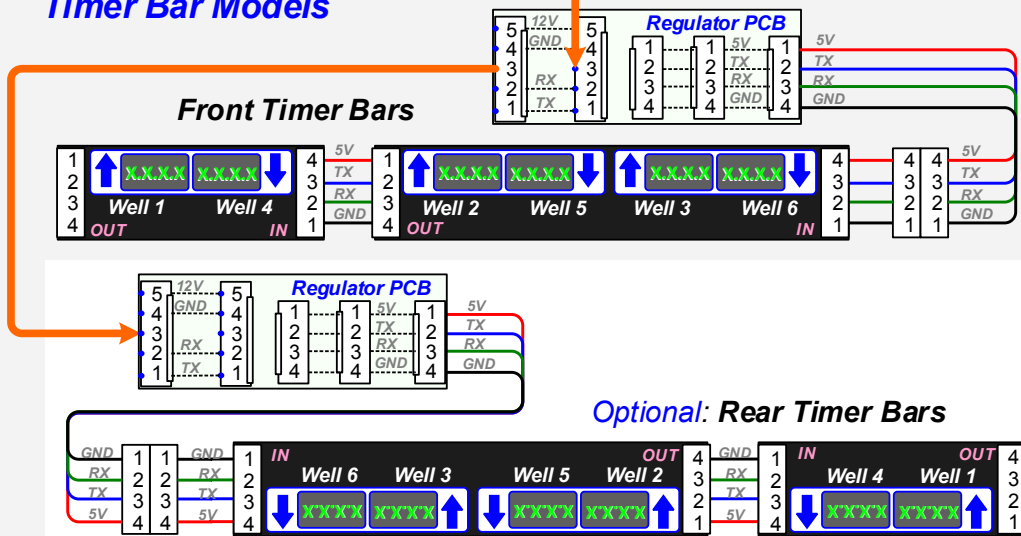
IRHSe 2X3 WIRE DIAGRAM

WIRING DIAGRAM 2x3 IRHSE with Timer Bars

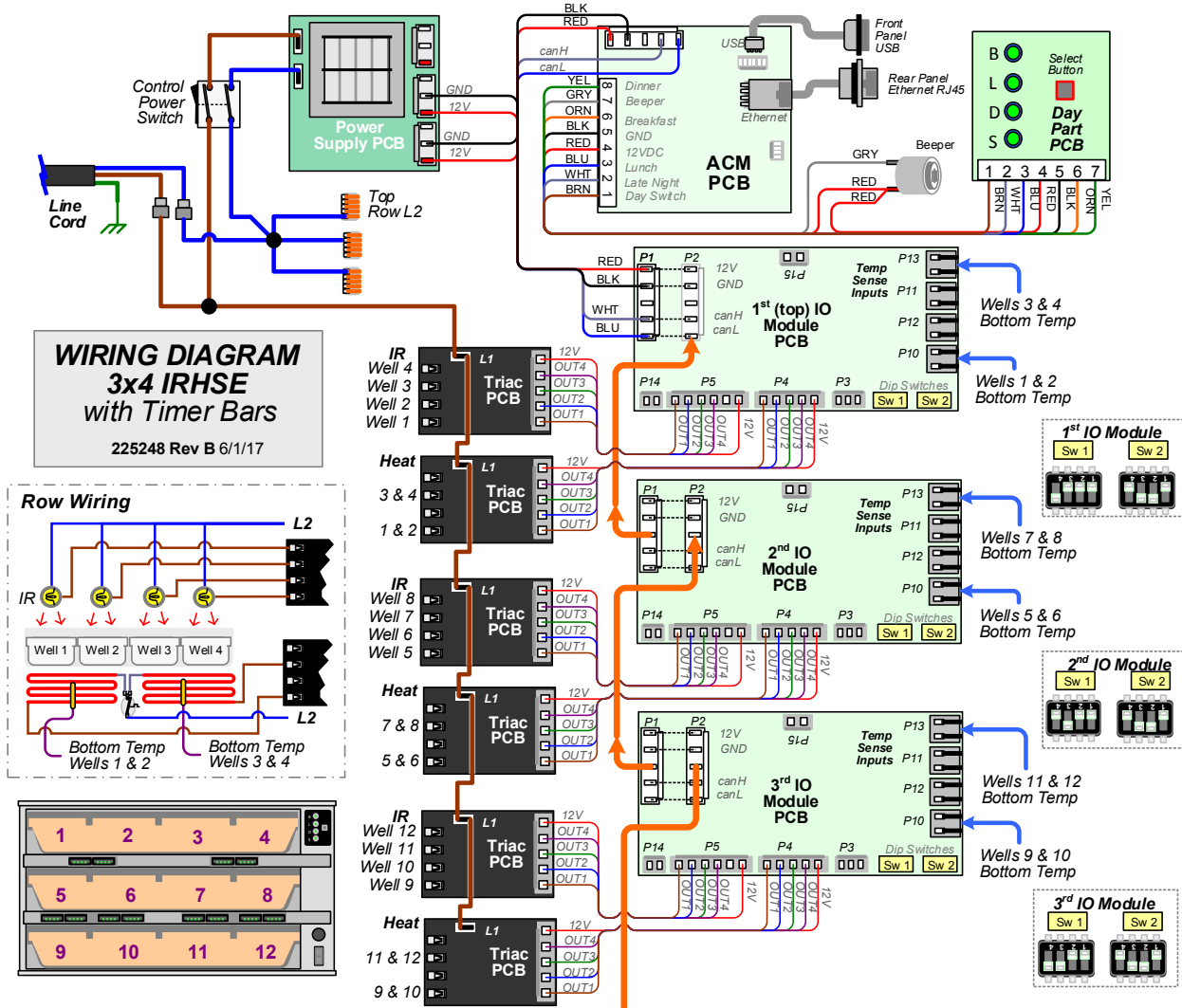
225250 Rev B 6/1/17



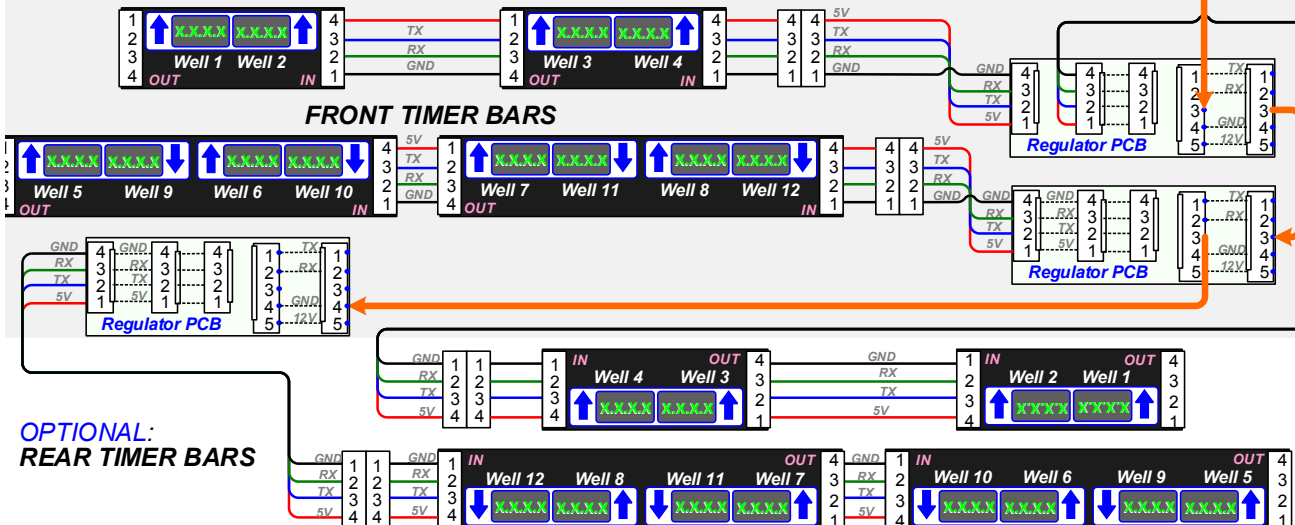
Timer Bar Models



IRHSe 3X4 WIRE DIAGRAM



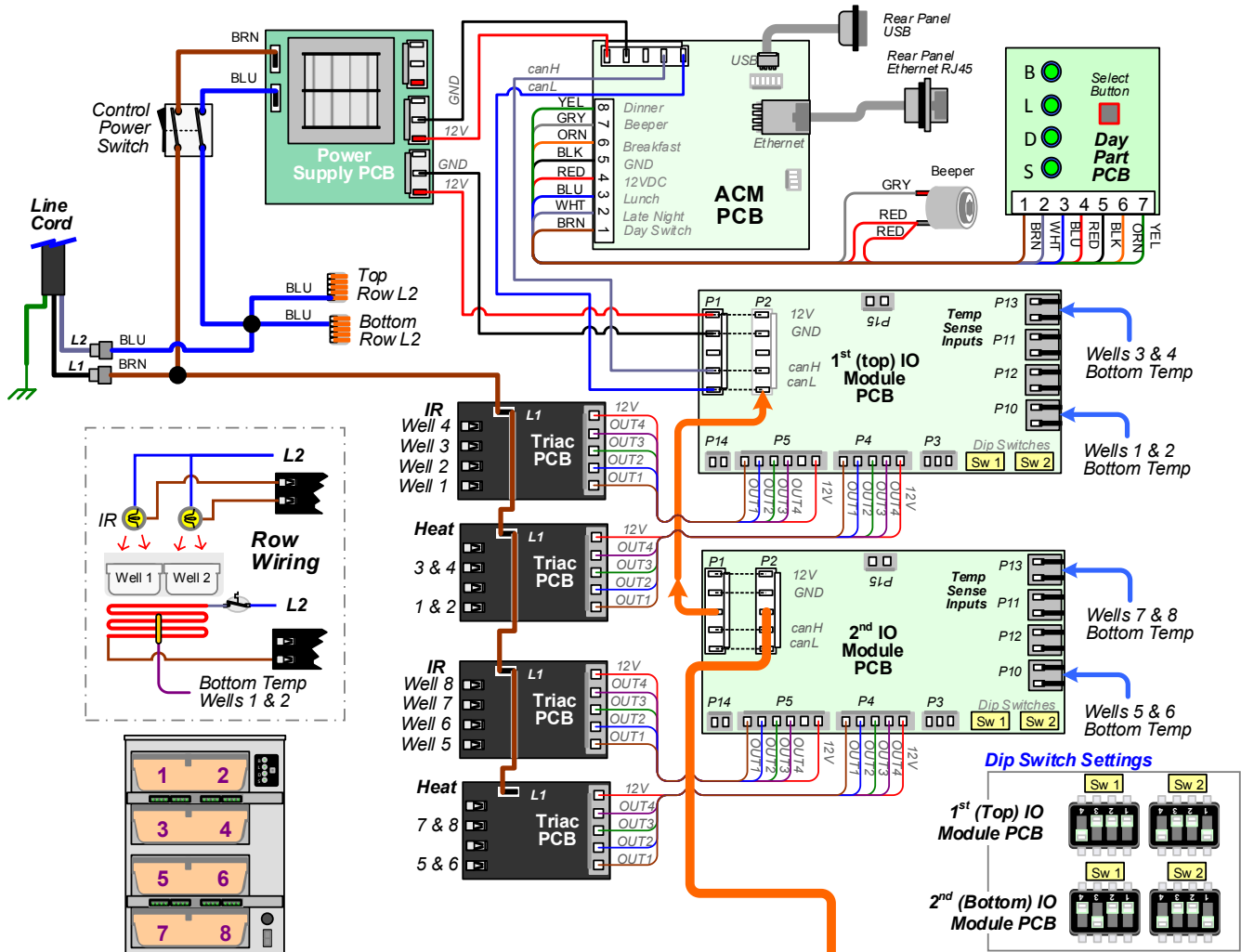
Timer Bar Models



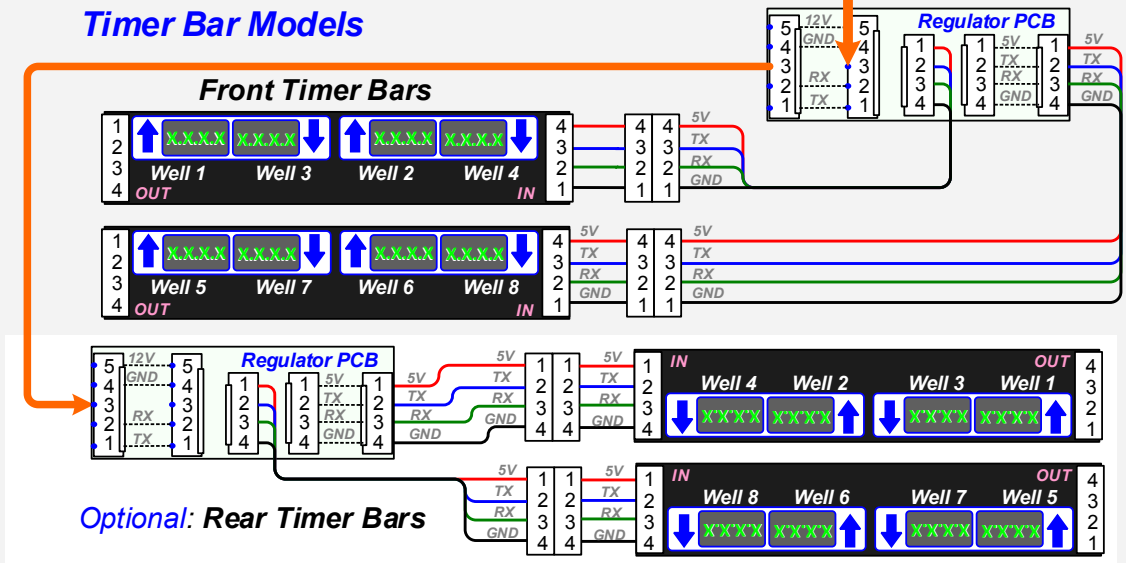
IRHSe 4X2 WIRE DIAGRAM

WIRING DIAGRAM 4x2 IRHSE with Timer Bars

225254 Rev B 6/1/17



Timer Bar Models





Duke Manufacturing Company

**2305 N. Broadway
St. Louis, MO 63102
Phone: 314-231-1130
Toll Free: 1-800-735-3853
Fax: 314-231-5074
www.dukemfg.com**