



Your Solutions Partner

# Illustrated Parts List

## **INFRARED HEATSINK™ HOLDING UNIT**

### **MODELS:**

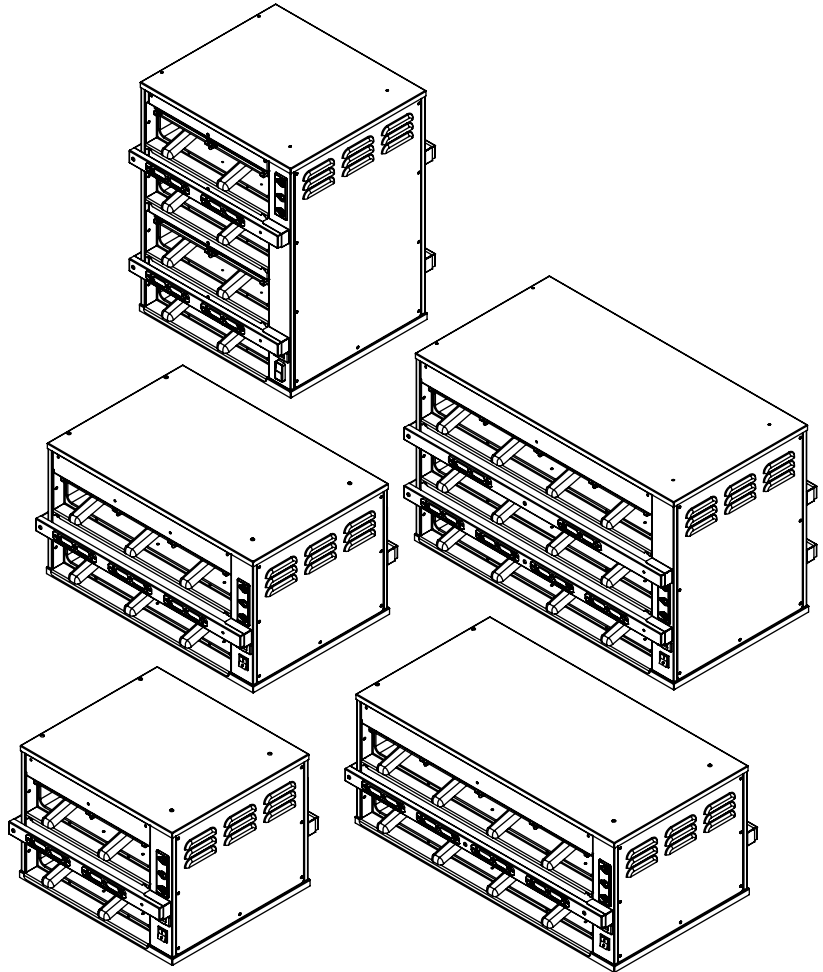
**IRHS-22**

**IRHS-23**

**IRHS-24**

**IRHS-34**

**IRHS-42**



---

*This manual is Copyright © 2020 Duke Manufacturing Company. All rights reserved.  
Reproduction without written permission is prohibited. Duke is a registered  
trademark of the Duke Manufacturing Company.*

## **Duke Manufacturing Company**

**2305 N. Broadway  
St. Louis, MO 63102  
Phone: 314-231-1130  
Toll Free: 1-800-735-3853  
Fax: 314-231-5074  
[www.dukemfg.com](http://www.dukemfg.com)**

# TABLE OF CONTENTS

**HOW TO DETERMINE MANUFACTURE DATE FROM DUKE EQUIPMENT SERIAL # .....3**

**IRHS DECK ASSEMBLY**  
TABLE: PL-1 IRHS DECK ASSEMBLY .....4  
FIGURE: PL-1 IRHS DECK ASSEMBLY .....5

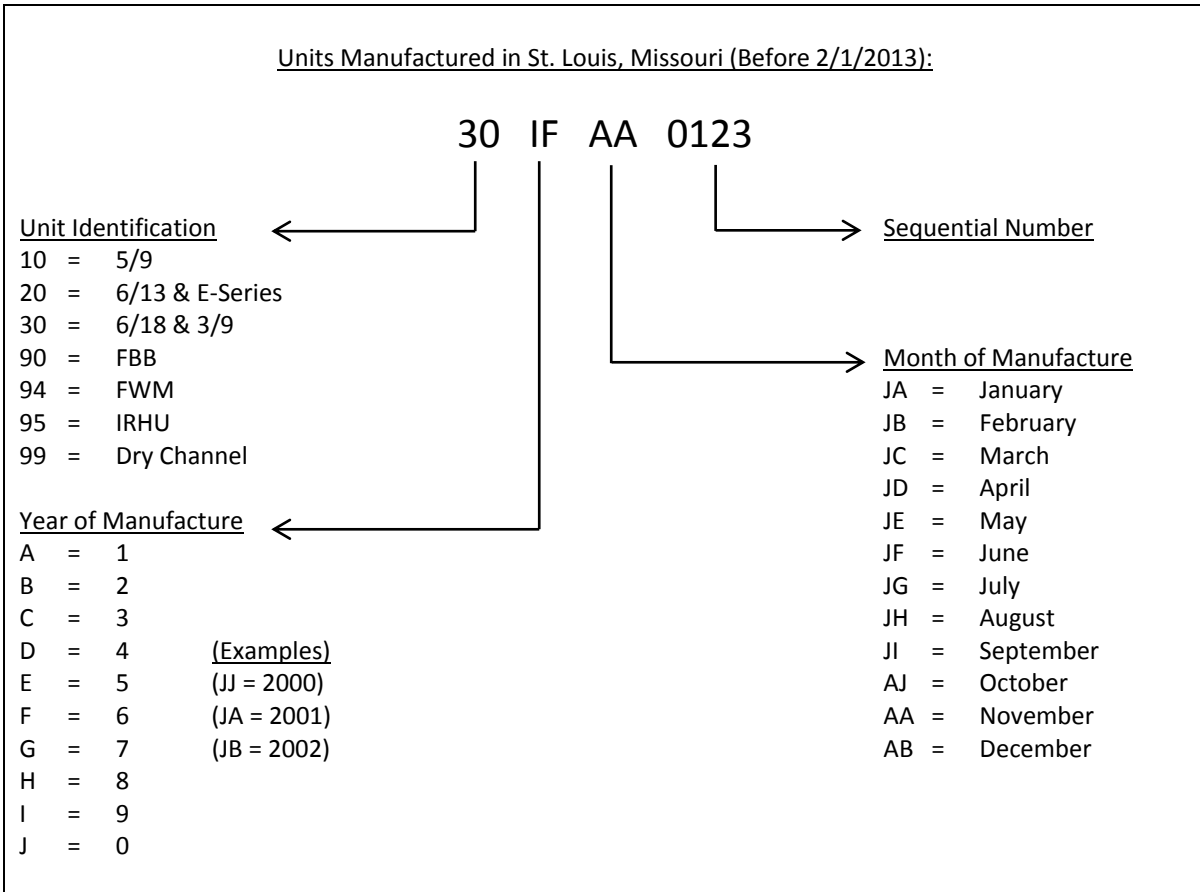
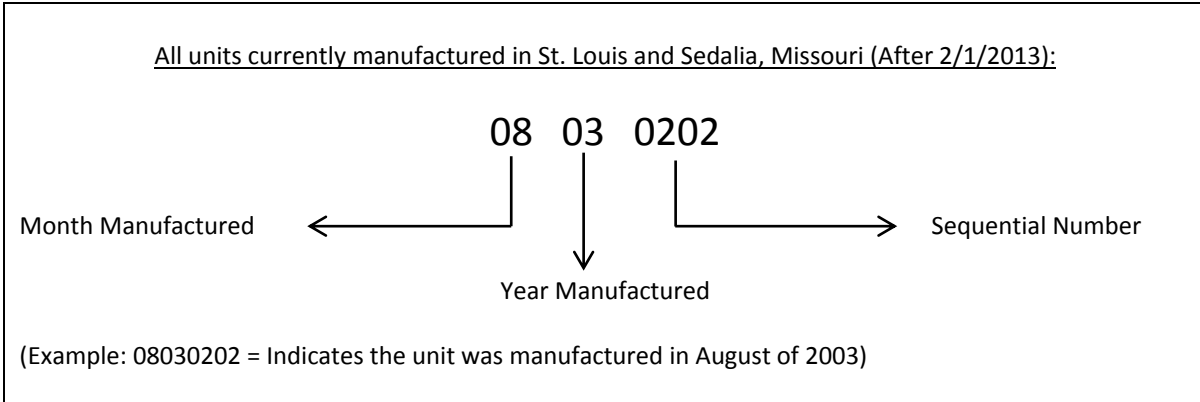
**IRHS CONTROL COMPARTMENT & KITCHEN MINDER**  
TABLE: PL-2 IRHS CONTROL COMPARTMENT & KITCHEN MINDER .....6  
FIGURE: PL-2 IRHS CONTROL COMPARTMENT & KITCHEN MINDER .....7

**IRHS KITCHEN MINDER CONNECTIONS**  
TABLE: PL-3 IRHS KITCHEN MINDER CONNECTIONS .....8  
FIGURE: PL-3 IRHS KITCHEN MINDER CONNECTIONS .....8

**IRHS VISOR COMPONENTS**  
TABLE: PL-4 IRHS VISOR COMPONENTS .....9  
FIGURE: PL-4 IRHS VISOR COMPONENTS .....10

**IRHS WIRE DIAGRAMS**  
IRHS - 22 .....11  
IRHS - 23 .....12  
IRHS - 24 .....13  
IRHS - 34 .....14  
IRHS - 42 .....15

## How to Determine Manufacture Date from Duke Equipment Serial Numbers



## PARTS LIST – INFRARED HEATSINK™ HOLDING UNIT

| IRHS Deck Assembly |           |   | Quantity per Unit |         |         |         |         |
|--------------------|-----------|---|-------------------|---------|---------|---------|---------|
| Locator            | P/N       | Description   | IRHS-22           | IRHS-23 | IRHS-24 | IRHS-34 | IRHS-42 |
| 1                  | 1030-2816 | ASSY, MENU BAR, 2W, TOP FRONT   |                   |         |         |         | 1       |
|                    | 1030-2817 | ASSY, MENU BAR, 2W, TOP REAR  |                   |         |         |         |         |
|                    | 1030-2747 | ASSY, MENU BAR, 2W, RH FRONT  | 1                 |         |         |         | 1       |
|                    | 1030-2759 | ASSY, MENU BAR, 2W, RH REAR   |                   |         |         |         |         |
|                    | 1030-2760 | ASSY, MENU BAR, 2W, LH FRONT  | 1                 |         |         |         |         |
|                    | 1030-2761 | ASSY, MENU BAR, 2W, LH REAR   |                   |         |         |         |         |
|                    | 1030-2746 | ASSY, MENU BAR, 3W, RH FRONT  |                   | 1       |         |         |         |
|                    | 1030-2762 | ASSY, MENU BAR, 3W, LH FRONT  |                   |         |         |         |         |
|                    | 1030-2763 | ASSY, MENU BAR, 3W, RH REAR   |                   | 1       |         |         |         |
|                    | 1030-2764 | ASSY, MENU BAR, 3W, LH REAR   |                   |         |         |         |         |
|                    | 1030-2741 | ASSY, MENU BAR, 4W, TOP/FRONT   |                   |         |         | 1       |         |
|                    | 1030-2745 | ASSY, MENU BAR, 4W, TOP/REAR  |                   |         |         |         |         |
|                    | 1030-2739 | ASSY, MENU BAR, 4W, FRONT   |                   |         | 1       | 1       |         |
|                    | 1030-2765 | ASSY, MENU BAR, 4W, REAR  |                   |         |         |         |         |
| Not Shown          | 1030-2975 | WIRE BOX MENU BAR MOUNTING, ASY   | 2                 | 2       | 4       | 4       | 4       |
| 2                  | 224951    | DISPLAY, KEYPAD, (UP/DOWN)  | 4                 | 6       | 8       | 8       | 8       |
|                    | 224950    | DISPLAY, KEYPAD, (UP/UP)  |                   |         |         | 4       |         |
| 3                  | 157881    | HARNESS, MENU BAR, 2W, TOP FRONT/REAR                                     |                   |         |         |         | 2       |
|                    | 166661    | HARNESS, MENU BAR, 2W, LH FRONT/REAR                                      | 2                 |         |         |         |         |
|                    | 166662    | HARNESS, MENU BAR, 2W, RH FRONT/REAR                                      | 2                 |         |         |         | 2       |
|                    | 166663    | HARNESS, MENU BAR, 3W, LH FRONT/REAR                                      |                   | 2       |         |         |         |
|                    | 166664    | HARNESS, MENU BAR, 3W, RH FRONT/REAR                                      |                   | 2       |         |         |         |
|                    | 166665    | HARNESS, MENU BAR, 4W, TOP FRONT/REAR                                     |                   |         |         | 2       |         |
| 4                  | 166017    | EMITTER, 340W-208V  | 4                 | 6       | 8       | 12      | 8       |
|                    | 166018    | EMITTER, 340W-240V  |                   |         |         |         |         |
| 5                  | 166015    | SOCKET, EMITTER, STRIPPED   | 8                 | 12      | 16      | 24      | 16      |
| 6                  | 166011    | COVER, PAN  | AS REQUIRED       |         |         |         |         |
| 7                  | 1030-2550 | ASSY, IR GLASS FRAME, 2W  | 2                 |         |         |         | 4       |
|                    | 1030-2549 | ASSY, IR GLASS FRAME, 3W  |                   | 2       |         |         |         |
|                    | 1030-2776 | ASSY, IR GLASS FRAME, 4W  |                   |         | 2       | 3       |         |
| 8                  | 158279    | RTD 1K OHM MEDIUM<br>(Component of <i>Heating Elements listed below</i> ) | AS REQUIRED       |         |         |         |         |
| 9                  | 158312    | THERMOSTAT, HI LIMIT 300F   | 2                 | 2       | 2       | 3       | 4       |
| 10                 | 166003    | HEAT ELEMENT & RTD, 2W, 300W-120V   | 2                 |         |         |         |         |
|                    | 166004    | HEAT ELEMENT & RTD, 2W, 300W-208V   | 2                 |         |         |         | 4       |
|                    | 166005    | HEAT ELEMENT & RTD, 2W, 300W-240V   | 2                 |         |         |         | 4       |
|                    | 166006    | HEAT ELEMENT & RTD, 3W, 450W-120V   |                   | 2       |         |         |         |
|                    | 166007    | HEAT ELEMENT & RTD, 3W, 450W-208V   |                   | 2       |         |         |         |
|                    | 166008    | HEAT ELEMENT & RTD, 3W, 450W-240V   |                   | 2       |         |         |         |
|                    | 166009    | HEAT ELEMENT & RTD, 4W, 300W-208V   |                   |         | 4       | 6       |         |
|                    | 166010    | HEAT ELEMENT & RTD, 4W, 300W-240V   |                   |         | 4       | 6       |         |

Table: PL-1 IRHS Deck Assembly

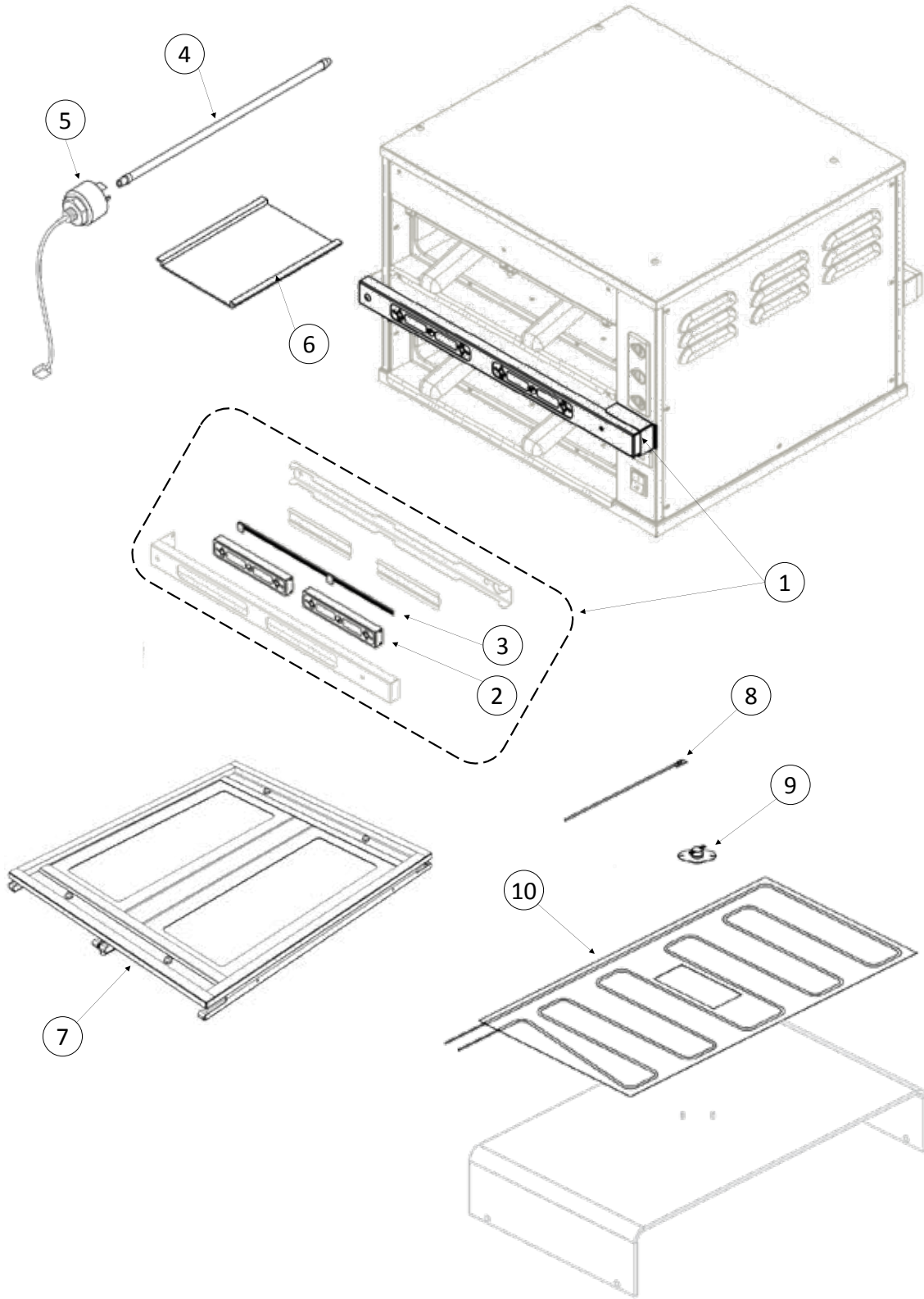


Figure: PL-1 IRHS Deck Assembly

## PARTS LIST – INFRARED HEATSINK™ HOLDING UNIT

| IRHS CONTROL COMPARTMENT |           |   | Quantity per Unit |         |         |         |         |
|--------------------------|-----------|---|-------------------|---------|---------|---------|---------|
| Locator                  | P/N       | Description   | IRHS-22           | IRHS-23 | IRHS-24 | IRHS-34 | IRHS-42 |
| 11                       | 157916    | ASSY, DAYPART SWITCH  | 1                 | 1       | 1       | 1       | 1       |
| 12                       | 156195    | ADAPTER, USB HOST   | 1                 | 1       | 1       | 1       | 1       |
| 13                       | 169629    | SWITCH, POWER, SEALED CARLING <i>(After 7/2014)</i>                                       | 1                 | 1       | 1       | 1       | 1       |
|                          | 157886    | SWITCH, POWER, DPST, 20A, 250V <i>(Prior to 7/2014)</i>                                   | 1                 | 1       | 1       | 1       |         |
| Not Shown                | 161046    | Harness, CE Filter, 10A   | 1                 | 1       | 1       | 1       | 1       |
| 14                       | 157830-K  | RELAY KIT, SMART POWER MODULE   | 3                 | 4       | 6       | 10      | 6       |
| 15                       | 155749    | TRANSFORMER, 208/240 VAC  | 1                 | 1       | 1       | 1       | 1       |
|                          | 156838    | TRANSFORMER, 230 VAC  | 1                 | 1       | 1       | 1       | 1       |
| 16                       | 120102    | HOLDER, FUSE  | 1                 | 1       | 1       | 1       | 1       |
| Not Shown                | 120103    | FUSE, 12A   | 2                 | 2       | 2       |         | 2       |
|                          | 166030    | FUSE, 16A   |                   |         |         | 2       |         |
| 17                       | 1030-2915 | KIT, IRHS CONTROL SERVICE REPLACEMENT HMC-34-DU7  | 1                 | 1       | 1       | 1       | 1       |
| 18                       | 158337    | RTD BOARD   | 1                 | 1       | 1       | 1       | 1       |
| 19                       | 156624    | POWERCORD, 15 AMP 250V, W/TERMINALS, 6'<br><i>(Units Mfg. Before 7/24/2014)</i>           | 1                 | 1       | 1       |         |         |
|                          | 222170    | POWERCORD, 15 AMP 250V W/TERMINALS, 6'<br><i>(Units Mfg. After 7/24/2014)</i>             | 1                 | 1       | 1       |         | 1       |
|                          | 156631    | POWERCORD, 16 AMP 230V, CE W/TERMINALS, 8'<br><i>(Units Mfg. Before 11/3/2014)</i>        | 1                 | 1       | 1       | 1       | 1       |
|                          | 160448    | POWERCORD, 16 AMP 230V, W/TERMINALS, 8', IEC 60309<br><i>(Units Mfg. After 11/3/2014)</i> | 1                 | 1       | 1       | 1       | 1       |
|                          | 166070    | CORD, POWER 20 AMP 208/240  |                   |         |         | 1       |         |

| IRHS KITCHEN MINDER (If Installed) |           |  | Quantity per Unit |         |         |         |         |
|------------------------------------|-----------|--|-------------------|---------|---------|---------|---------|
| Locator                            | P/N       | Description                                | IRHS-22           | IRHS-23 | IRHS-24 | IRHS-34 | IRHS-42 |
| 20                                 | 222250    | MASTER CONTROL BOARD                       | 1                 | 1       | 1       | 1       | 1       |
| 21                                 | 222252    | ADAPTER BOARD - W/LI                       | 1                 | 1       | 1       | 1       | 1       |
| 22                                 | 1030-2895 | PLATE, MOUNTING RJ45, 2 HOLE (RJ12/RJ45)   |                   |         |         | 1       |         |
| 23                                 | 1030-2571 | PLATE, MOUNTING RJ45, 3 HOLE (RJ12/RJ45)   | 1                 | 1       | 1       |         | 1       |
| 24                                 | 156617    | COUPLER, 8X8 RJ45 (Cat 3)                  |                   |         |         | 1       |         |
| 25                                 | 156616    | COUPLER, 6X6 RJ12 (Cat 3)                  |                   |         |         | 1       |         |
| 26                                 | 166147    | COUPLER, 8X8 RJ45 (Cat 5e)                 | 2/3               | 2/3     | 2/3     |         | 2/3     |
| 27                                 | 1030-2906 | SHIELD, CABLE LG (Ref. 1030-2912)          | 1                 | 1       | 1       |         | 1       |
|                                    | 1030-2907 | SHIELD, CABLE SM (Ref. 1030-2911)          |                   |         |         | 1       |         |
| Not Shown                          | 222109    | CABLE, RJ45 CAT 5E, MALE x MALE, 25' BLACK | AS REQUIRED       |         |         |         |         |
| Not Shown                          | 156491    | CABLE, RJ12, MALE x MALE, 8'               | AS REQUIRED       |         |         |         |         |
| Not Shown                          | 600376    | KIT, KM CONVERSION, MASTER CONTROL         | 1                 | 1       | 1       | 1       | 1       |
| Not Shown                          | 600377    | KIT, KM CONVERSION, SATELLITE CONTROL      | 1                 | 1       | 1       | 1       | 1       |

Table: PL-2 IRHS Control Compartment & Kitchen Minder

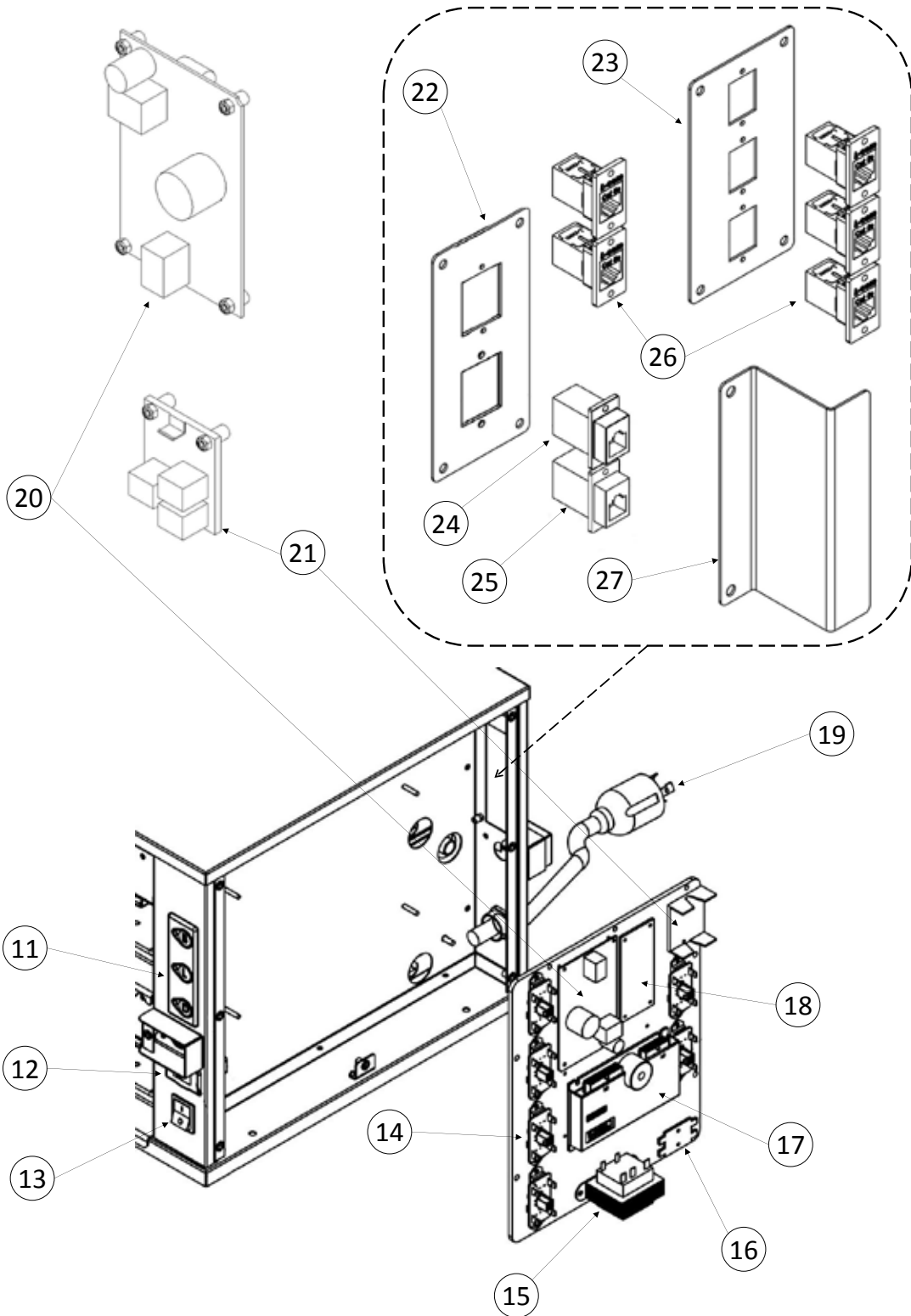


Figure: PL-2 IRHS Control Compartment & Kitchen Minder

## PARTS LIST – INFRARED HEATSINK™ HOLDING UNIT

| Kitchen Minder Connections (If Installed) |        |  | Quantity    |
|---|--------|--|-------------|
| Locator                                   | Part # | Description                                |             |
| 24  | 156617 | COUPLER, 8X8 RJ45 (Cat 3)                  | AS REQUIRED |
| 25  | 156616 | COUPLER, 6X6 RJ12 (Cat 3)                  |             |
| 28  | 222109 | CABLE, RJ45 CAT 5E, MALE x MALE, 25' BLACK |             |
| 29  | 156491 | CABLE, RJ12, MALE x MALE, 8'               |             |

Table: PL-3 IRHS Kitchen Minder Connections

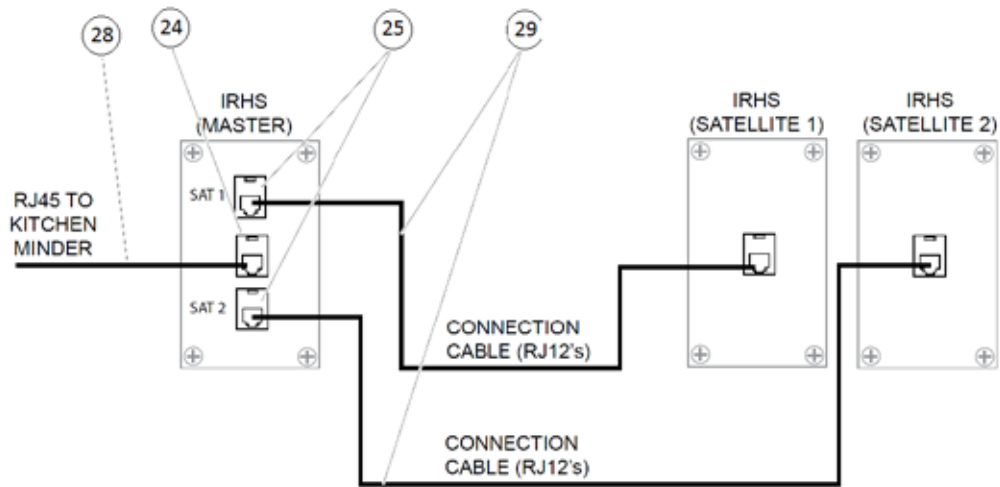


Figure: PL-3 IRHS Kitchen Minder Connections





NOTES:

**PARTS LIST – INFRARED HEATSINK™ HOLDING UNIT**

| IRHS VISOR COMPONENTS (If Installed) |           |  | Quantity per Unit |         |         |         |         |
|--------------------------------------|-----------|--|-------------------|---------|---------|---------|---------|
| Locator                              | P/N       | Description                                    | IRHS-22           | IRHS-23 | IRHS-24 | IRHS-34 | IRHS-42 |
| 30                                   | 1031-0087 | PANEL, CONTROL, 3X4, RH                        |                   |         |         | 1       |         |
|                                      | 1031-0082 | PANEL, CONTROL, 2X2, 2X3-RHC, LH               | 1                 | 1       |         |         |         |
|                                      | 1031-0081 | PANEL, CONTROL, 2X3-IHC, 2X4, RH               |                   |         | 1       |         | 1       |
|                                      | 1031-0080 | PANEL, CONTROL, 2X2, 2X3-RHC, RH               | 1                 | 1       |         |         |         |
| 31                                   | 120102    | HOLDER, FUSE                                   | 1                 | 1       | 1       | 1       | 1       |
| 32                                   | 120103    | FUSE, 12A                                      | 2                 | 2       | 2       |         | 2       |
|                                      | 166030    | FUSE, 16A                                      |                   |         |         | 2       |         |
| 33                                   | 120011    | PCB, 12V PWR 208/230V                          | 1                 | 1       | 1       | 1       | 1       |
| 34                                   | ELC0333   | SERVICE KIT, ACM BOARD, PROGRAMMED, IIRHS-RHSE | 1                 | 1       | 1       | 1       | 1       |
| 35                                   | 600516    | SERVICE KIT, PCB, IO3, IRHS-IRHSE              | 1                 | 1       | 2       | 3       | 2       |
| 36                                   | 600419    | TRIAC PCB ASSY SERVICE KIT                     | 2                 | 2       | 4       | 6       | 4       |
| 37                                   | 212106    | CONNECTOR, 5 CONDUCTOR                         | AS REQUIRED       |         |         |         |         |
| 38                                   | 1031-0159 | PLATE, COVER, OUTER PEMSTUDS                   | 1                 | 1       | 1       | 1       | 1       |
| 39                                   | 166136    | INDICATOR, LED, FLUSH BEZEL                    | 1                 | 1       | 1       | 1       | 1       |
| 40                                   | 1031-0018 | PLATE, USB PANEL MT                            | 1                 | 1       | 1       | 1       | 1       |
| 41                                   | 166111    | MODULAR, JACK IP67                             | 1                 | 1       | 1       | 1       | 1       |
| 42                                   | 166141    | JUMPER, USB TO USB                             | 1                 | 1       | 1       | 1       | 1       |
| 43                                   | 1031-0036 | COVER, ETHERNET CABLE                          | 1                 | 1       | 1       | 1       | 1       |
| Not Shown                            | 167614    | SENSOR, CURRENT                                | 1                 | 1       | 1       | 1       | 1       |
| Not Shown                            | 600393    | KIT, MENU BAR TO DMC 2X2 RH, 2X3 RH            | 1                 | 1       |         |         |         |
| Not Shown                            | 600394    | KIT, MENU BAR TO DMC 2X2 LH, 2X3 LH            | 1                 | 1       |         |         |         |
| Not Shown                            | 600395    | KIT, MENU BAR TO DMC 2X4 RH                    |                   |         | 1       |         |         |
| Not Shown                            | 600396    | KIT, MENU BAR TO DMC 3X4 RH                    |                   |         |         | 1       |         |

Table: PL-4 IRHS Visor Components

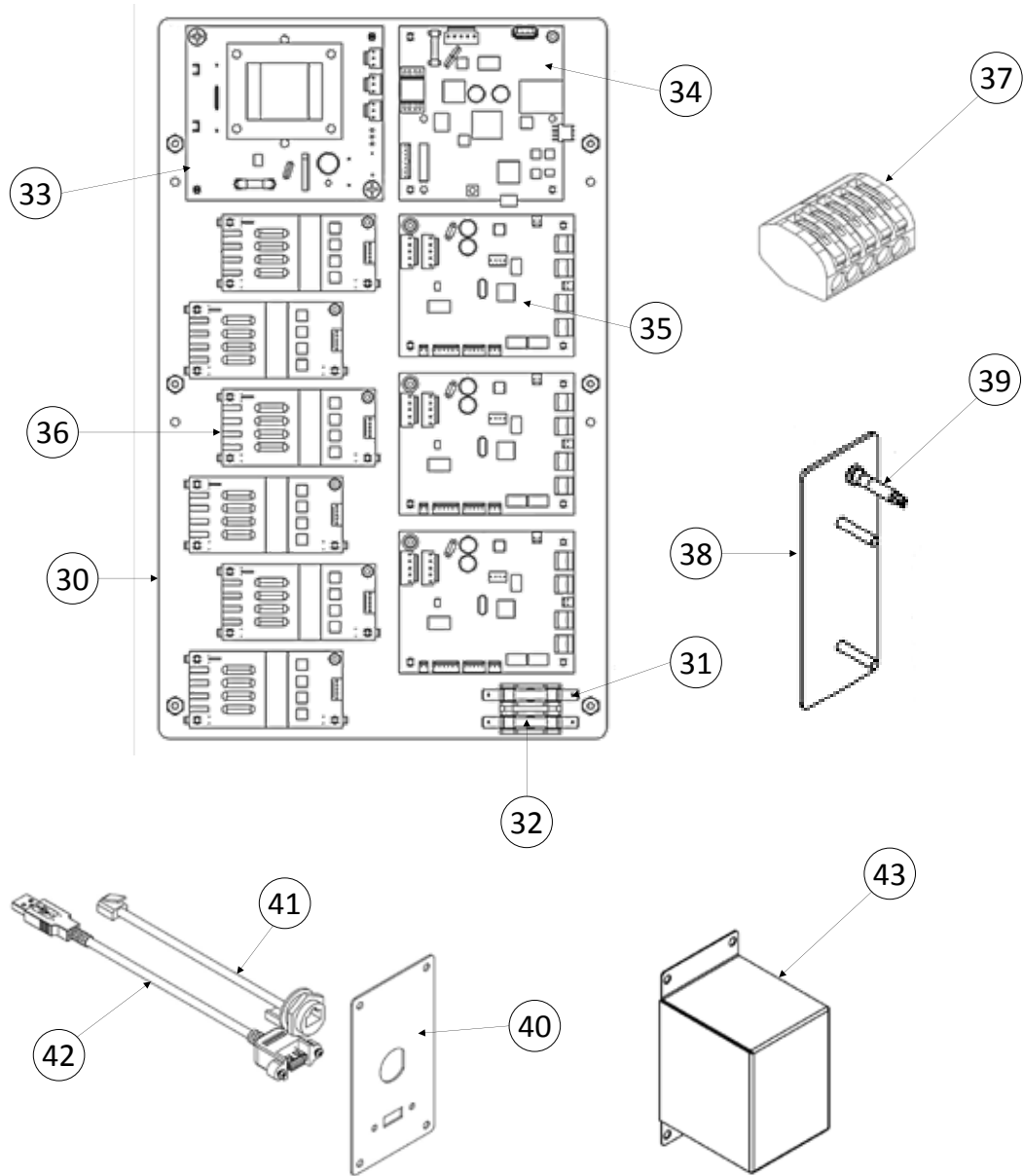
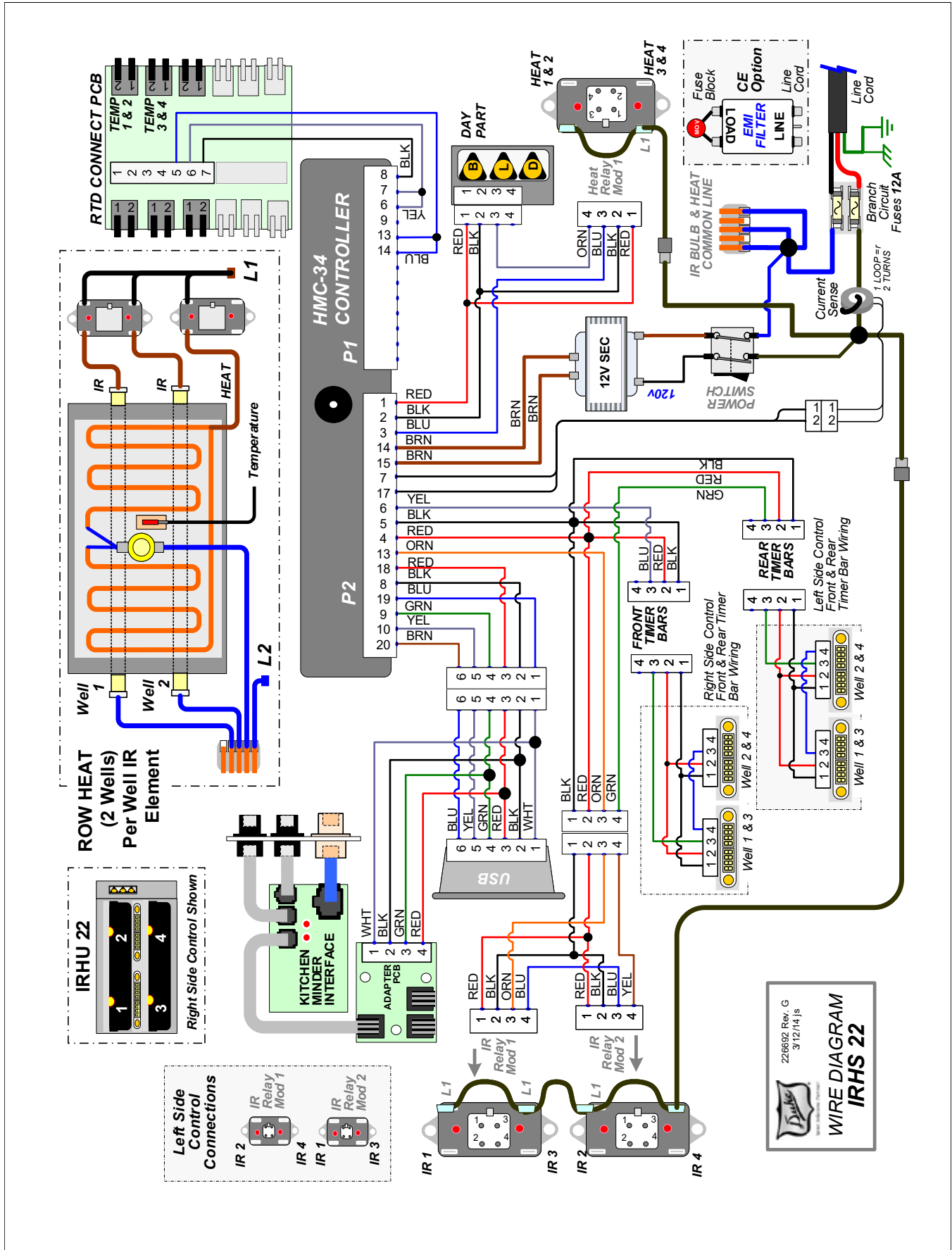
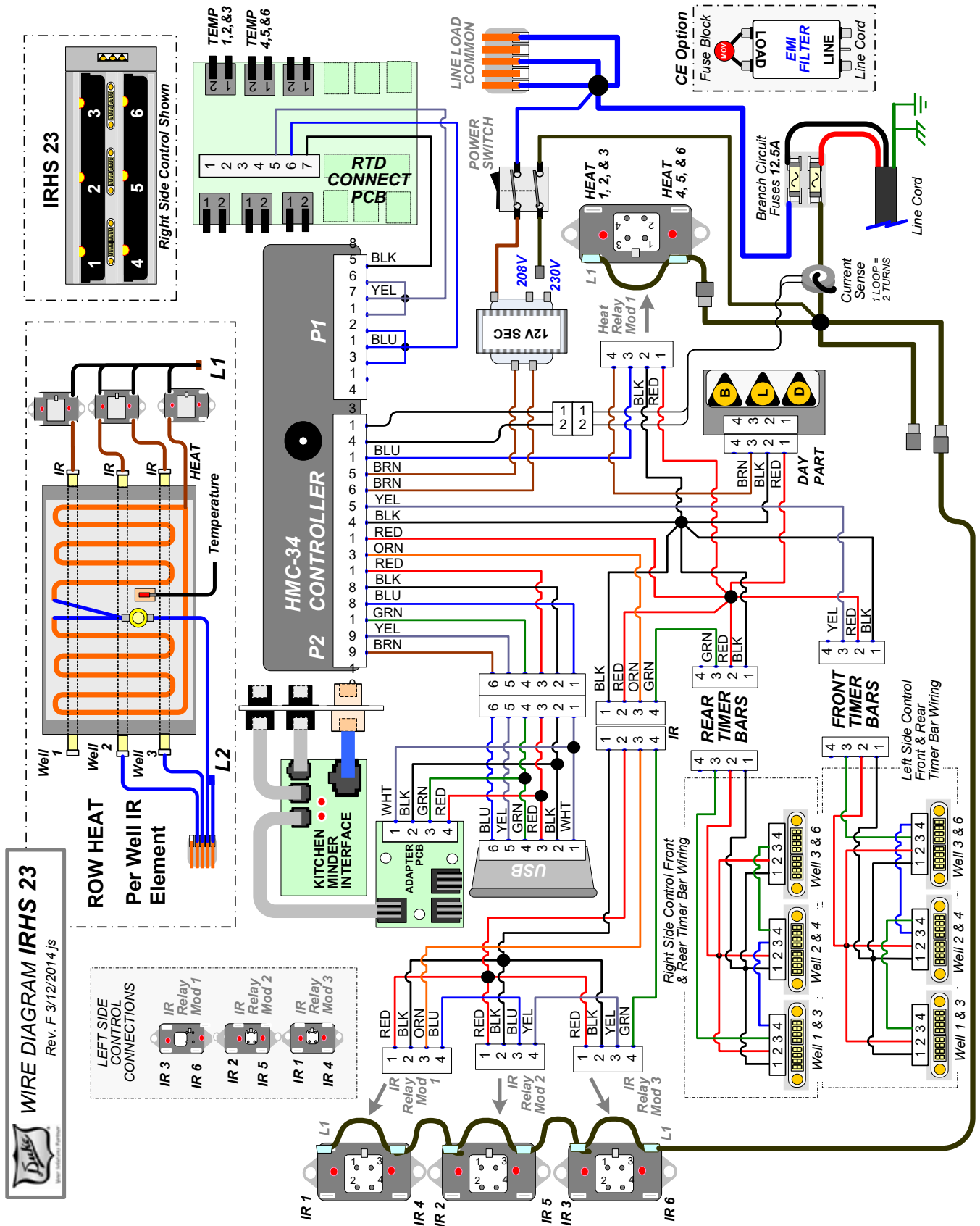


Figure: PL-4 IRHS Visor Components



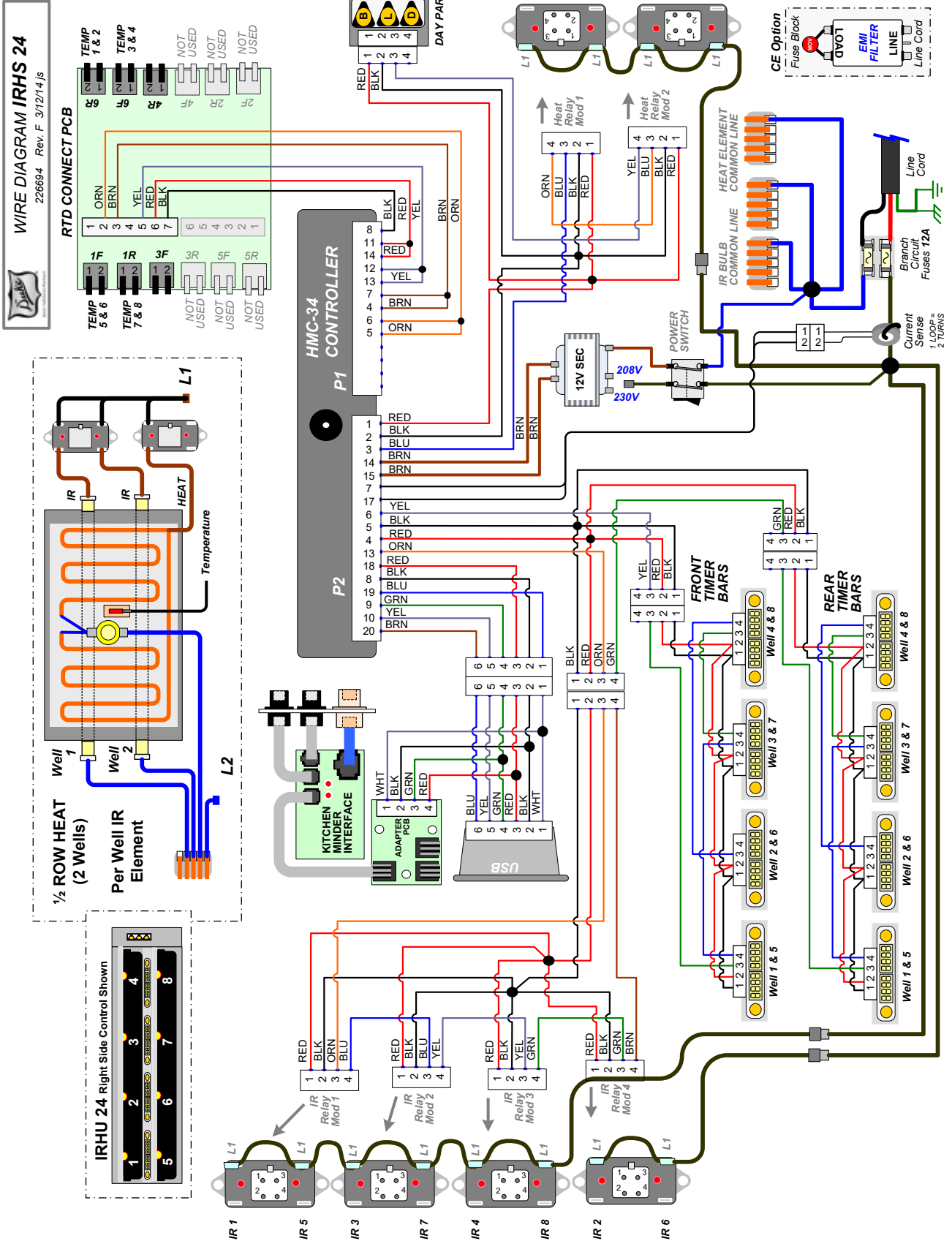
226692 Rev. G  
3/12/14js  
**WIRE DIAGRAM**  
**IRHS 22**

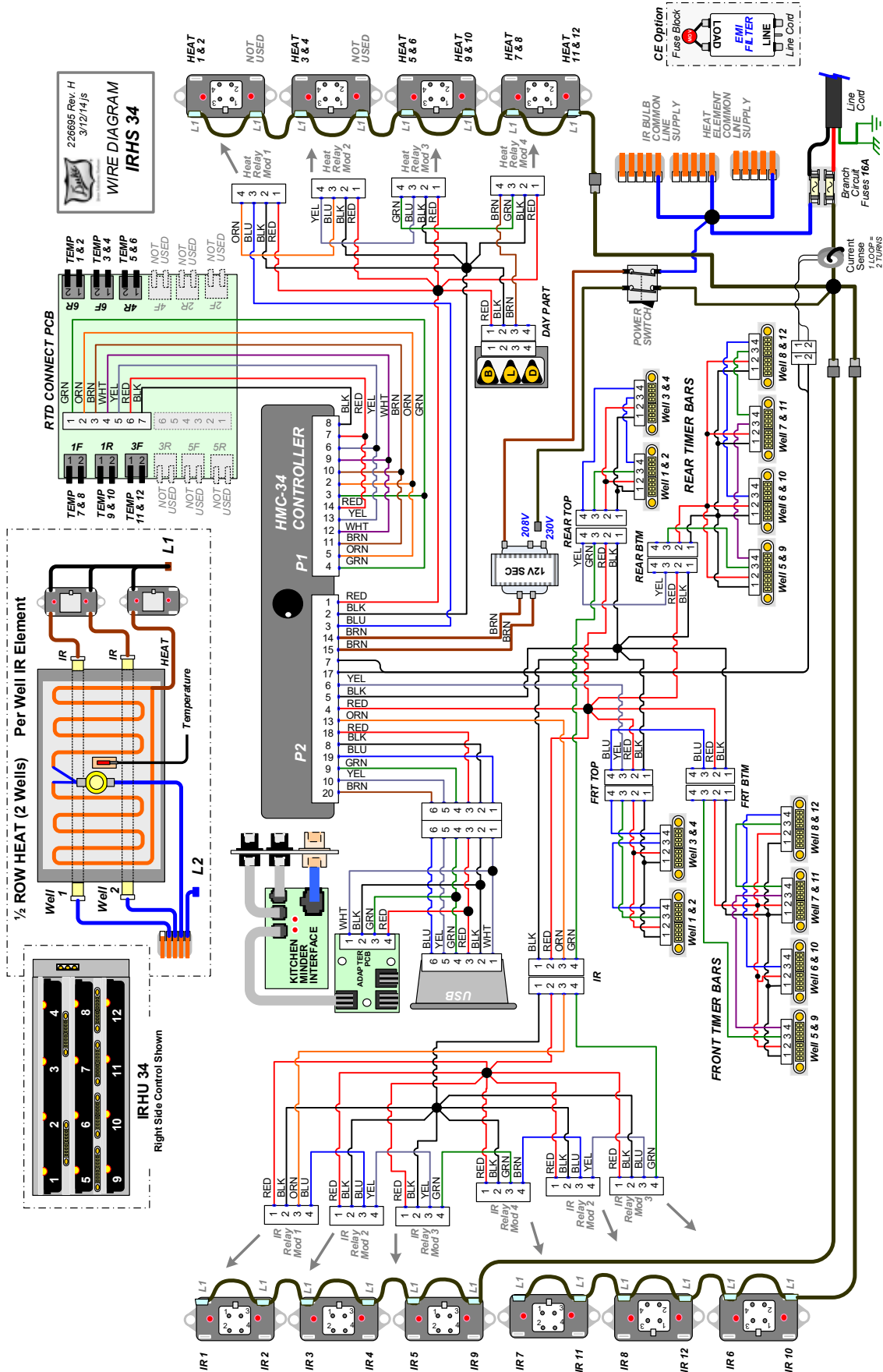


**WIRE DIAGRAM IRHS 23**

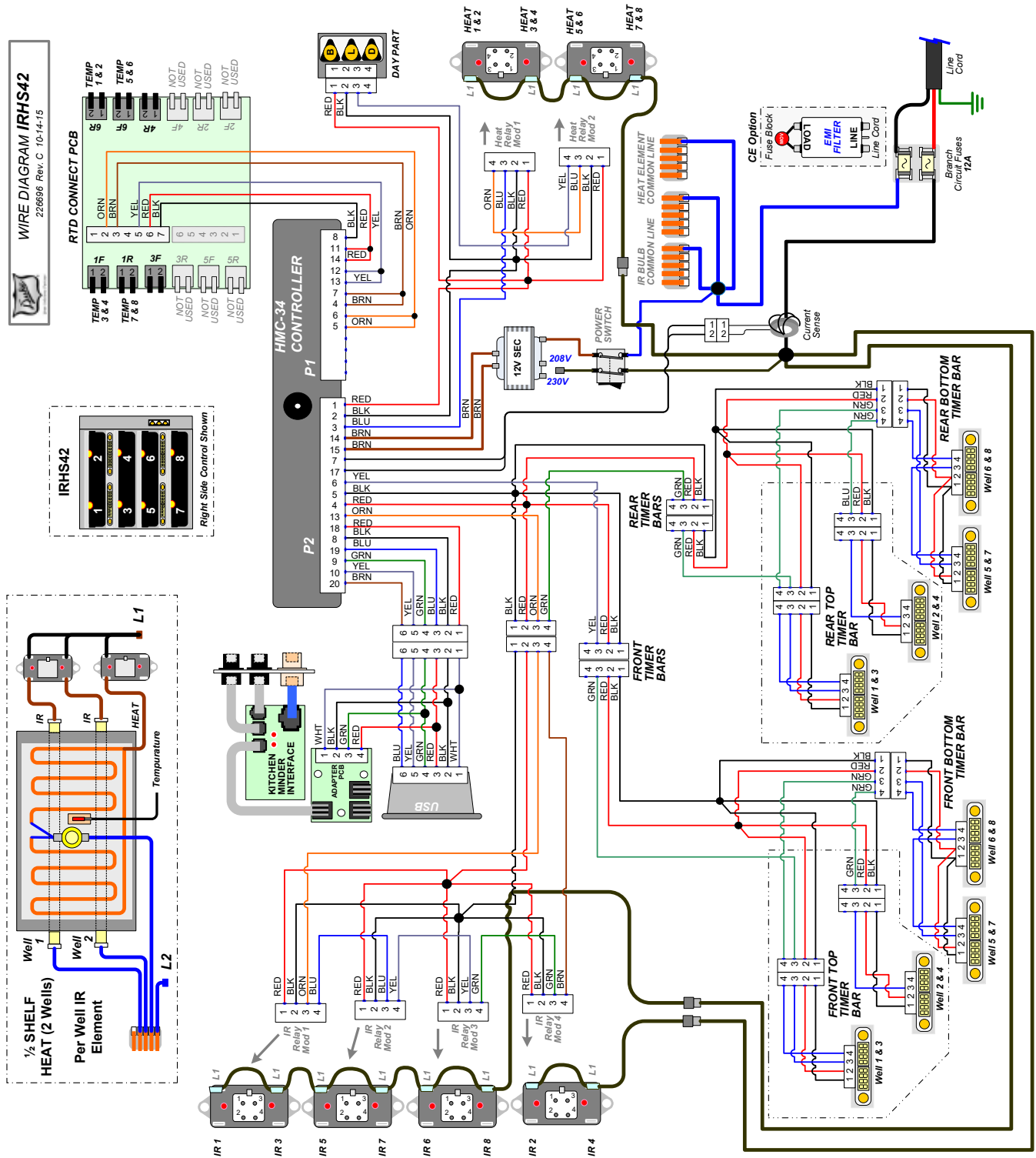
Rev. F 3/12/2014.js

**WIRE DIAGRAM IRHS 24**  
226694 Rev. F. 3/12/14.js





# Illustrated Parts List for Infrared Heatsink™ Holding Unit







NOTES:



## **Duke Manufacturing Co.**

**2305 N. Broadway • St. Louis, MO 63102**

**800-735-3853 • 314-231-1130**

**Fax: 314-231-5074**

**[www.dukemfg.com](http://www.dukemfg.com)**