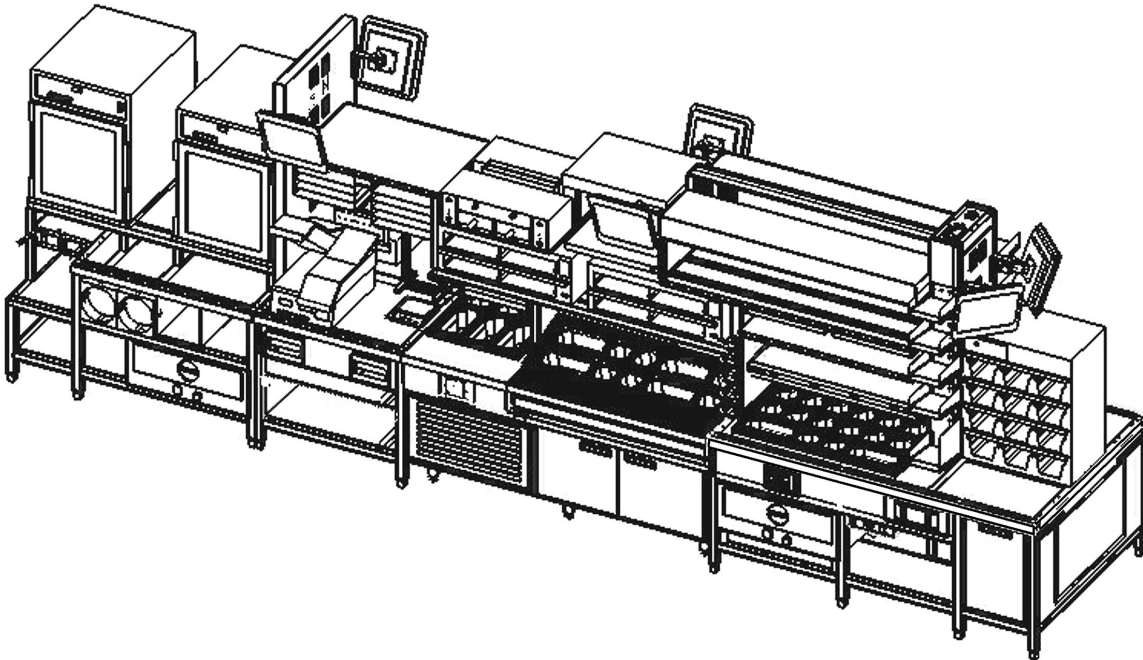




"Your Solutions Partner"

Illustrated Parts List

KFC KT COUNTER



*This manual is Copyright © 2008 Duke Manufacturing Co. All rights reserved.
Reproduction without written permission is prohibited. Duke is a registered
trademark of the Duke Manufacturing Co.*

Duke Manufacturing Co.

2305 N. Broadway • St. Louis, MO 63102

800.735.3853 • 314.231.1130

Fax: 314-231-5074

www.dukemfg.com

TABLE OF CONTENTS

EXPEDITE TABLE ASSEMBLY	4
HOT FOOD TABLE ASSEMBLY.....	5
DISPLAY TABLE ASSEMBLY.....	6
OVERHEAD SHELVING ASSEMBLY.....	7
REFRIGERATED BASE UNIT.....	8
DRY CHANNEL WARMER WITH 3 ZONE CONTROL.....	9
DRY CHANNEL WARMER – REV 5.1	10
DRY CHANNEL WARMER – REV 5.1, CONTINUED.....	11
DRY CHANNEL RELAY BOX ASSEMBLY REV 5.1.....	12

DETERMINING THE MANUFACTURING DATE FROM A PIECE OF EQUIPMENT'S SERIAL NUMBER

Units Manufactured in St. Louis

Serial Number Example: 30JDJF0001

30	JD	JF	0001
Specifies the type of unit	Specifies the year manufactured - see code below.	Specifies the month manufactured - see code below.	Sequential digits

Code Interpretation for units manufactured in St. Louis.

A = 1 B = 2 C = 3 D = 4 E = 5 F = 6 G = 7 H = 8 I = 9 J = 0

The serial number 30JDJF0001 indicates that the unit was built in 2004 (JD = 04) in the month of June (JF = 06).

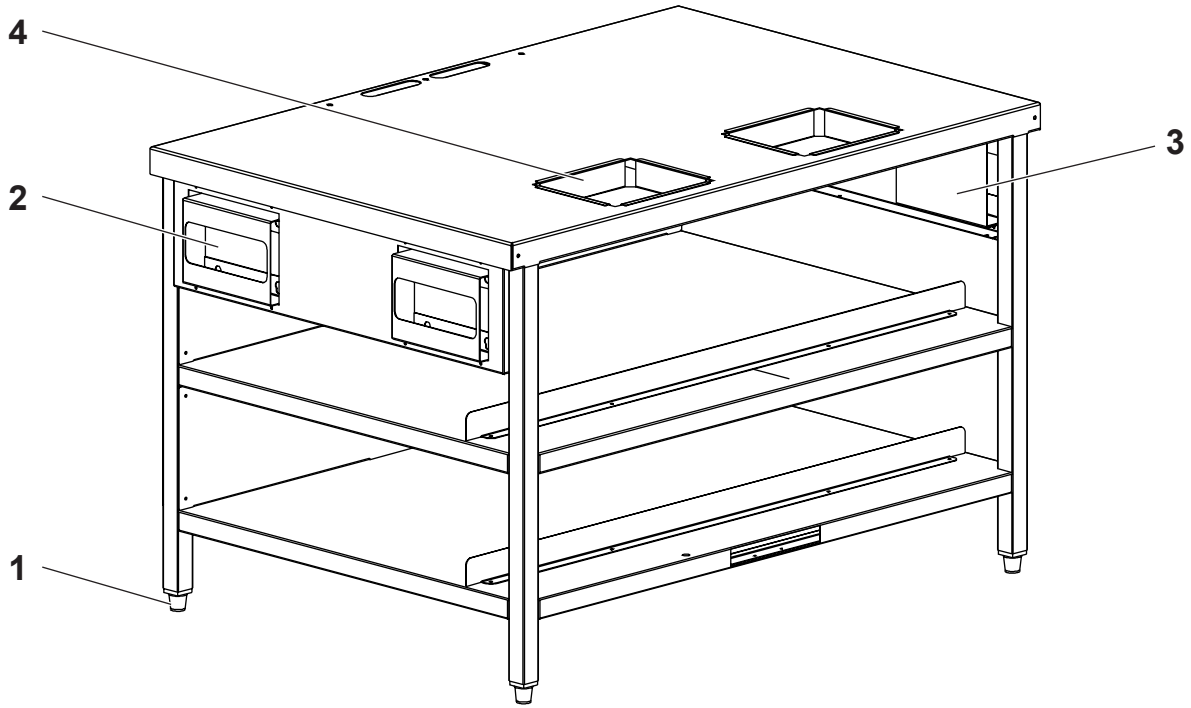
Units Manufactured in Sedalia

Serial Number Example: 01040019

01	04	0019
Specifies the month manufactured	Specifies the year manufactured	Sequential digits

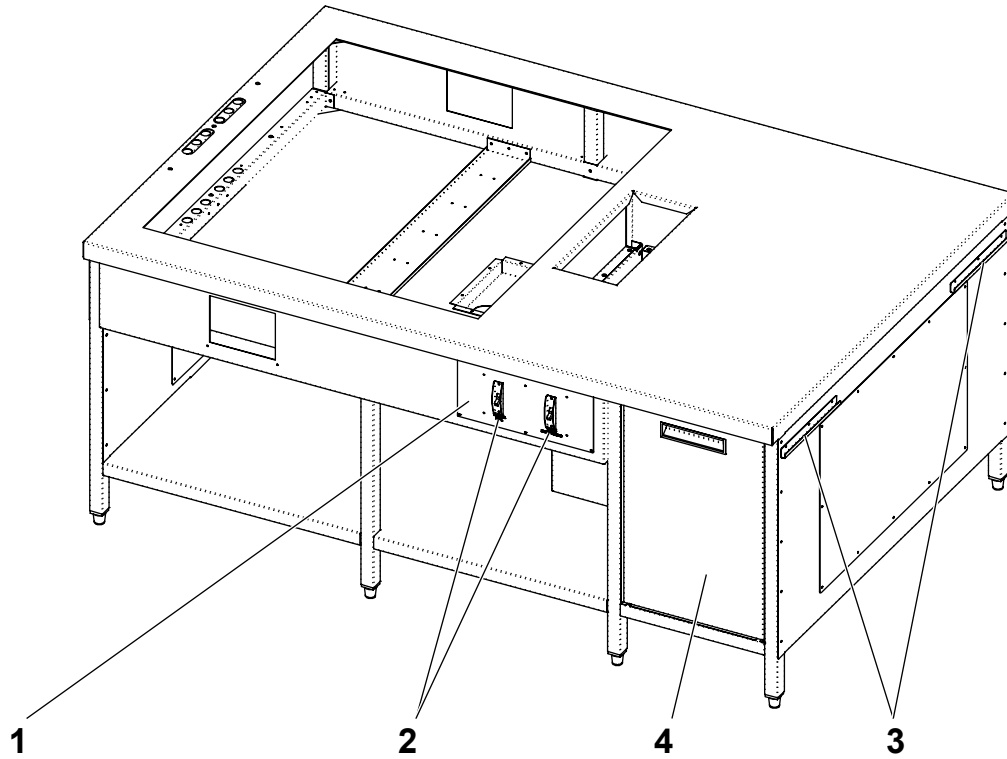
The serial number 01040019 indicates that the unit was built in January of 2004.

EXPEDITE TABLE ASSEMBLY



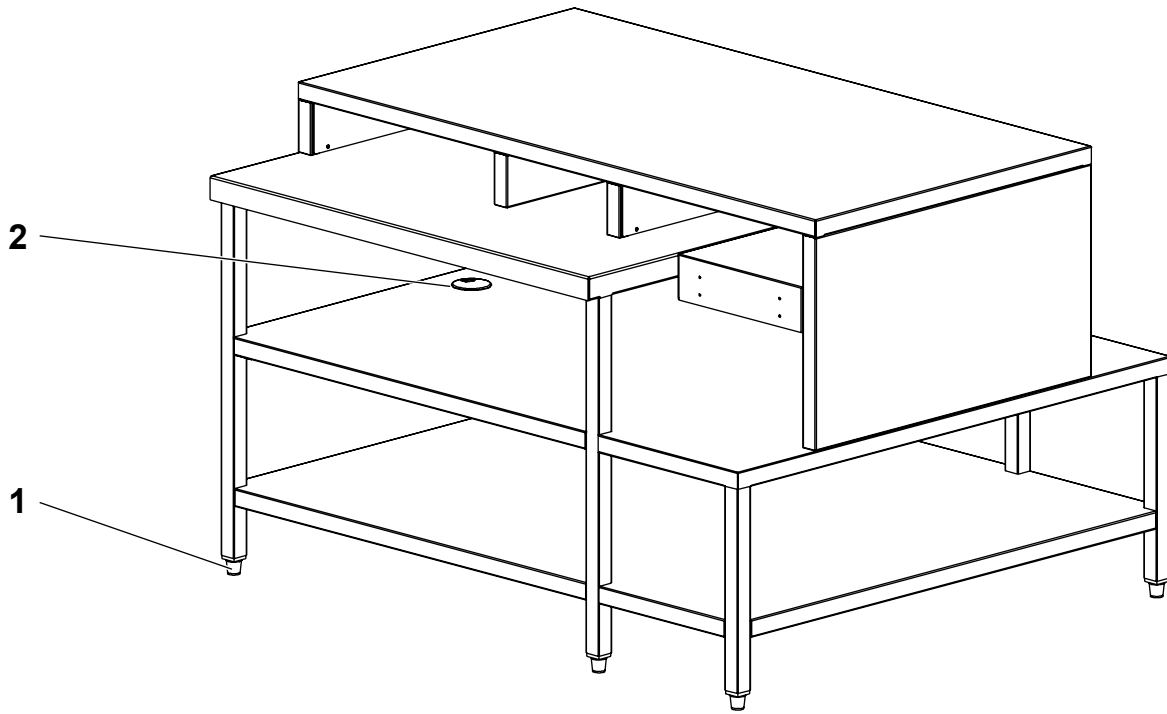
ITEM	QTY.	PART NUMBER	DESCRIPTION
1	4	214654	Adjustable Foot
2	4	551316	Tissue Box Holder
3	4	551315	Tissue Mount Support
4	2	551112	Pan Scale

HOT FOOD TABLE ASSEMBLY



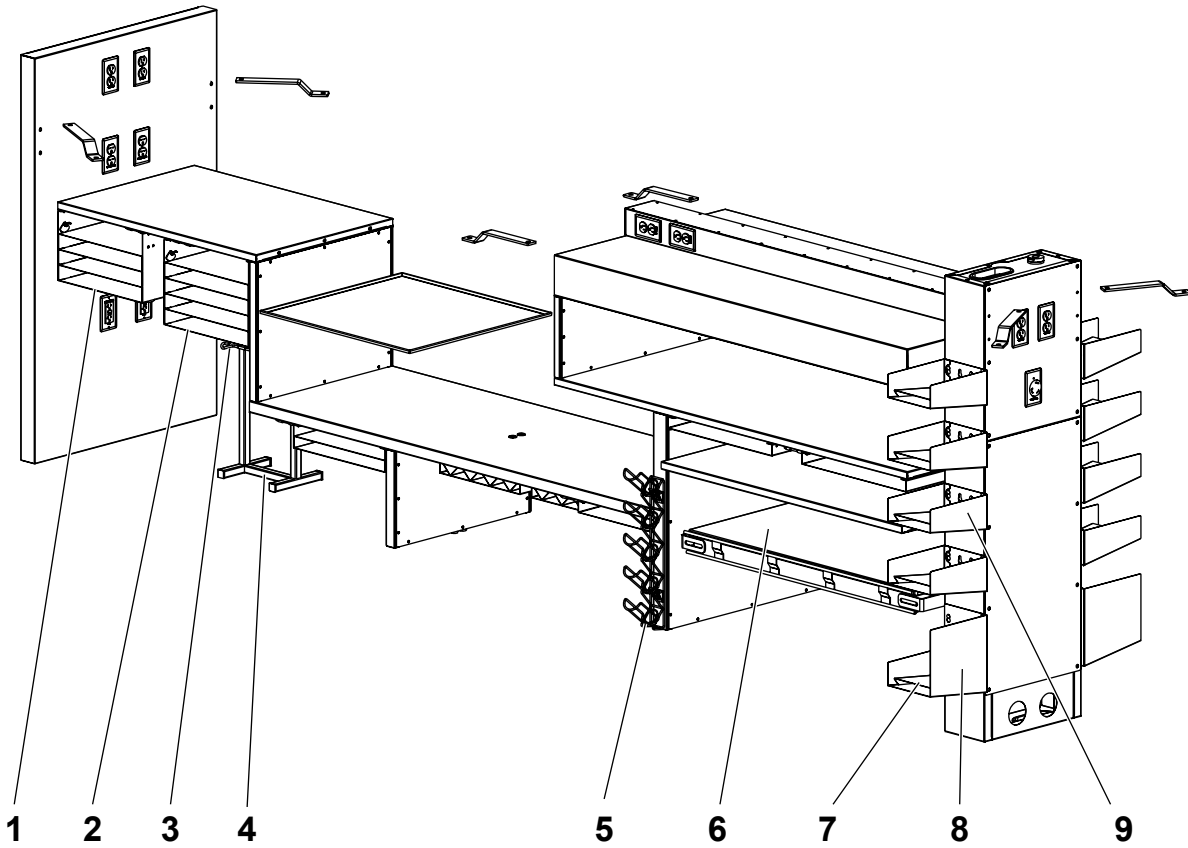
ITEM	QTY.	PART NUMBER	DESCRIPTION
1	1	550875	Toggle Switch Cover Plate
2	2	212792	Toggle Switch, 30 Amp
3	2	550964	Sanitizer J-Hook
4	2	551219	Door

DISPLAY TABLE ASSEMBLY



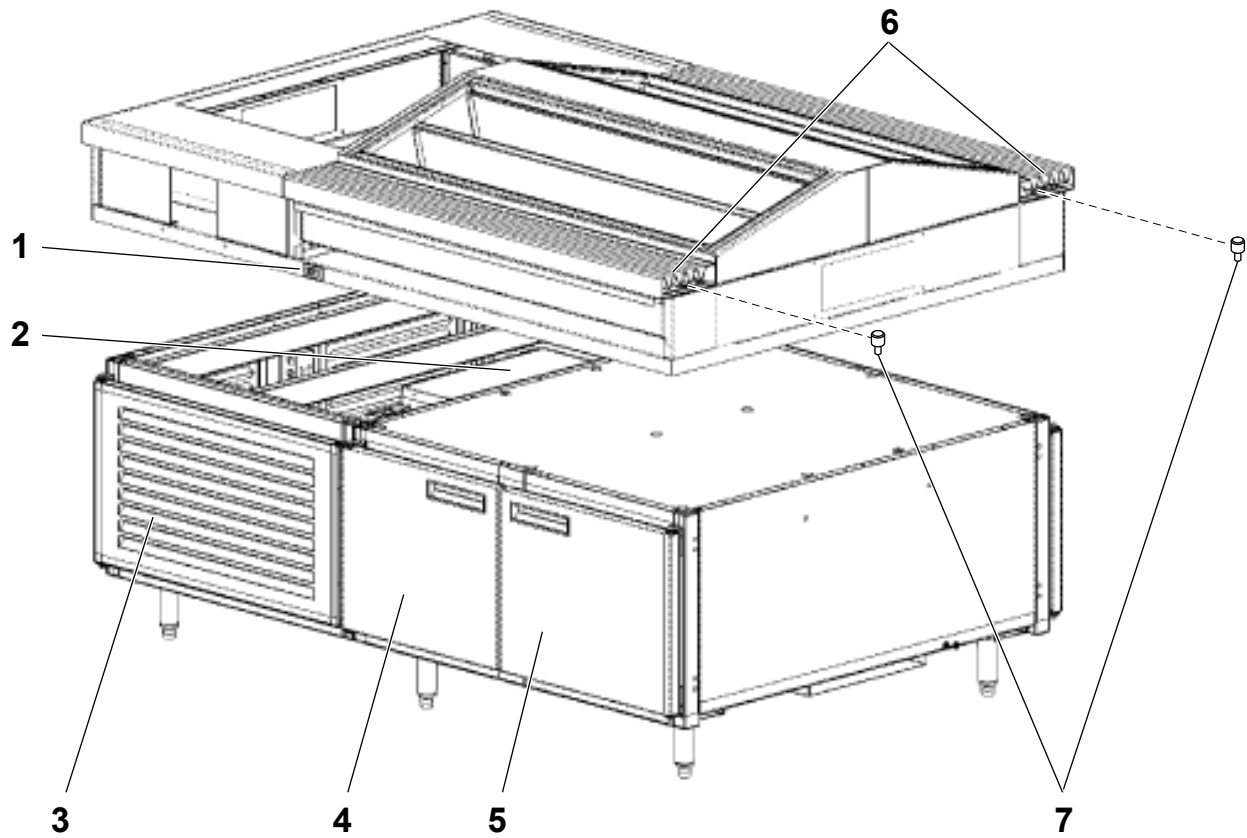
ITEM	QTY.	PART NUMBER	DESCRIPTION
1	6	214654	Adjustable Foot
2	1	214412	Round Wire Grommet

OVERHEAD SHELVING ASSEMBLY



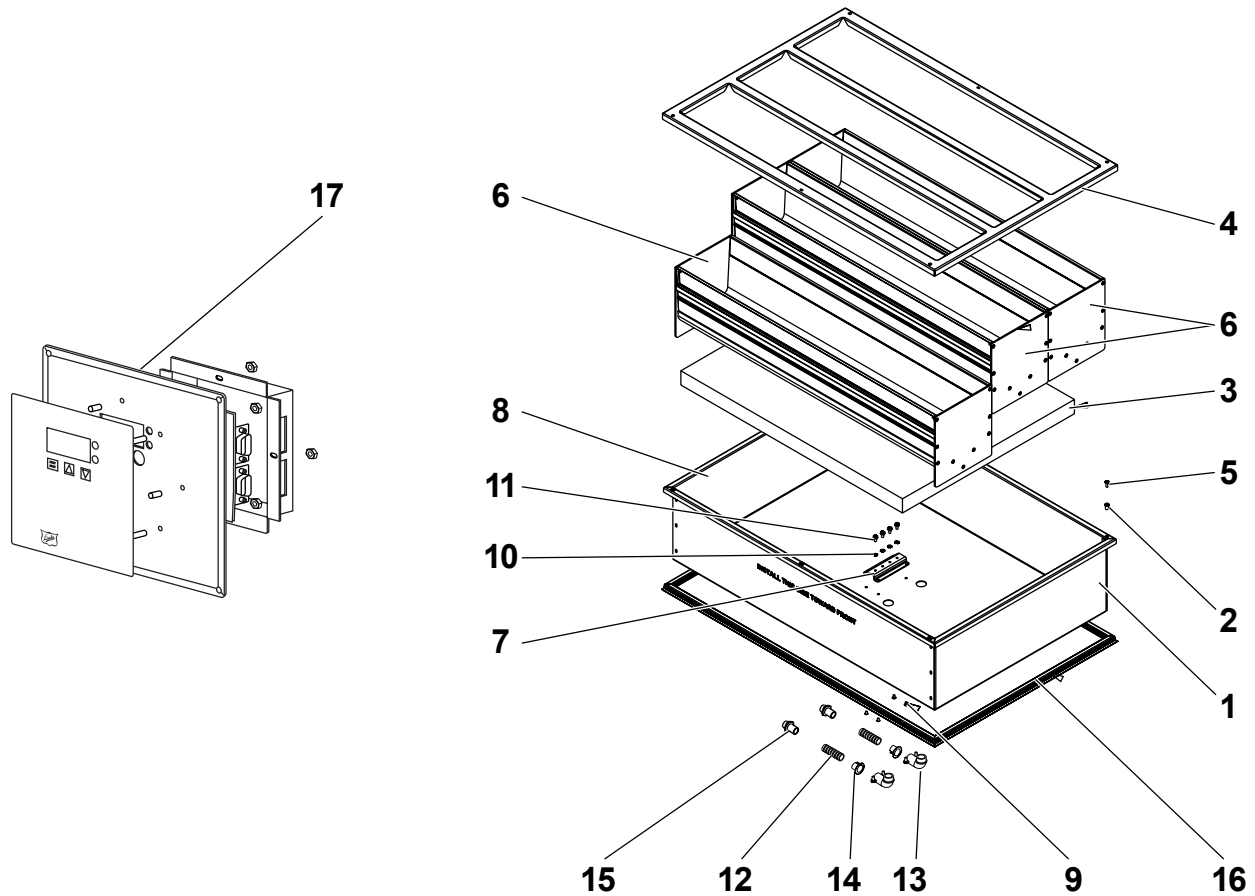
ITEM	QTY.	PART NUMBER	DESCRIPTION
1	1	551513	Removable Wrap Shelf Assembly
2	1	551514	Removable Wrap Shelf Assembly
3	2	228961	Bag Holder
4	2	551483	Bag Stand
5	2	216986	Vertical Bottle Rack
6	1	216992	Tortilla Grill
7	10	551303	Hanging Bin Lid
8	1	551301	Hanging Bin, Deep, Walk Up Side
9	8	551300	Hanging Bin, Short

REFRIGERATED BASE UNIT



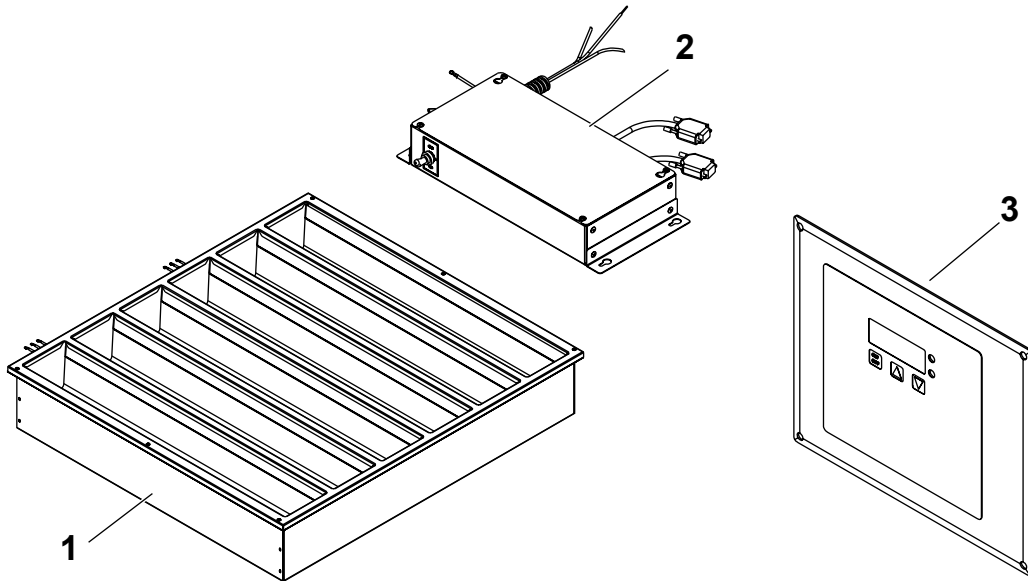
ITEM #	QTY.	PART NUMBER	DESCRIPTION
1	1	216675	Digital Thermometer
2	1	551538	Evaporator Section
3	1	551161	Louvered Panel Assembly
4	1	550328	Insulated Door, Left
5	1	550327	Insulated Door, Right
6	2	551072	Rail Assembly
7	8	214728	Carving Board Positioning Pins

DRY CHANNEL WARMER WITH 3 ZONE CONTROL



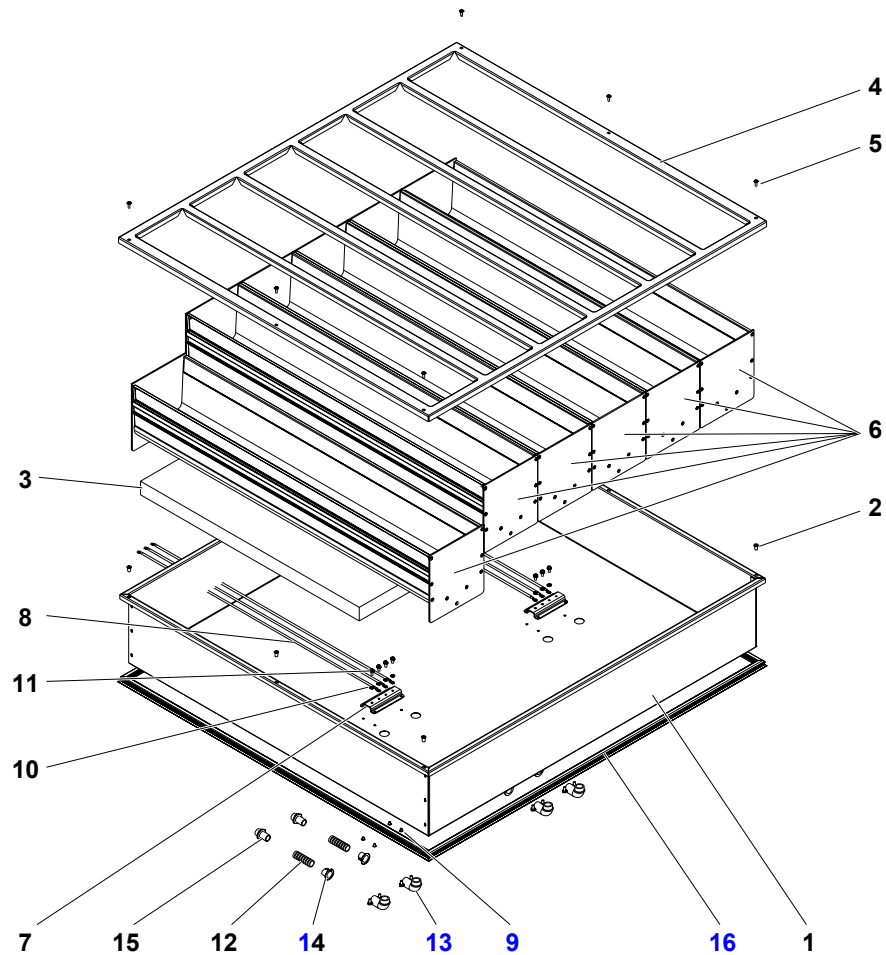
ITEM	QTY.	PART NUMBER	DESCRIPTION
1	1	553420	Tub, KT, 3 Channel
2	6	213216	Nutsert, ALM1-832-80
3	3	Proto-KFC	Insulation, Mineral Wool
4	1	553421	Top, 3 Channel Dry Channel
5	6	213359	Screw 8-32 X 1/2 TPF-M
6	1	553422	Kit, Channel
7	1	551148	Ground Bar
8	3	218958	Ground Wire Assembly
9	4	213192	Pop Rivet, 5/32 X 1/4 SS
10	4	213107	#10 External Tooth Washer
11	4	213425	Screw, 10-32 X 3/8, Green Ground
12	2	212185	Conduit, 1/2 Flex Steel
13	2	212126	Connector, 1/2 90 Degrees
14	2	212112	Anti Short Bushing
15	2	212540	Straight Connector
16	1	228932	Gasket, Dry Channel 3
17	1	228940	Display Control Board, KFC 3 Zone Control
Not Shown	1	218934	Ground Wire Assembly

DRY CHANNEL WARMER – REV 5.1



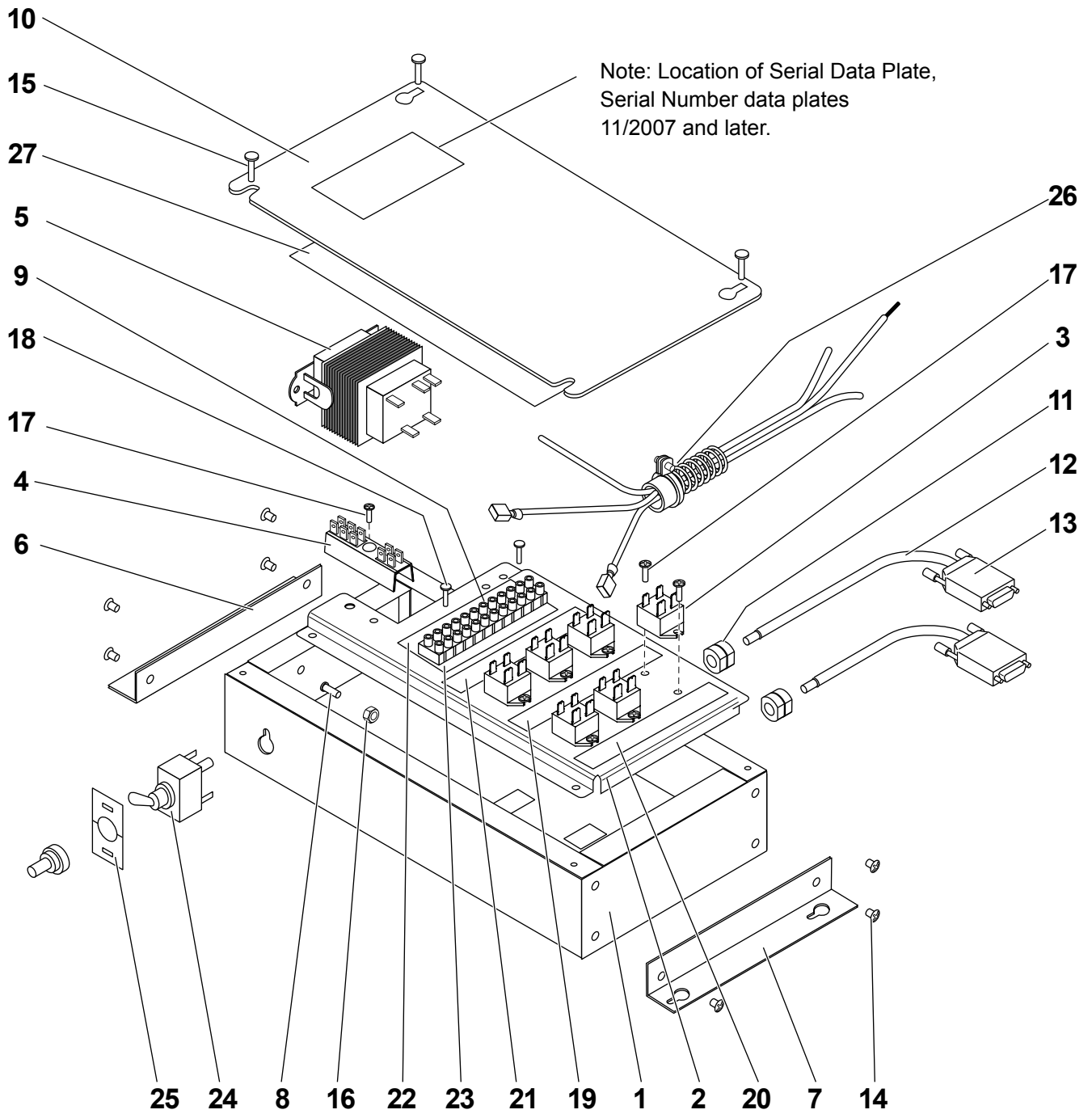
ITEM	QTY.	PART NUMBER	DESCRIPTION
1	1	553263	Tub Assembly, 6 Channel Dry Well
2	2	553271	Relay Box With Switch Assembly
3	2	218880	Control Board Display Assembly
Not Shown	5	218850	Dry Channel Data Plate
Not Shown	1	218853	Operations Manual

DRY CHANNEL WARMER – REV 5.1, CONTINUED



ITEM	QTY.	PART NUMBER	DESCRIPTION
1	1	553410	Tub, 6 Channel
2	6	213216	Nutsert, ALM1-832-80
3	1	218874	Insulation, Fiberfrax #8-1.5 Inches
4	1	553412	Top, 6 Channel Dry Channel
5	6	213359	Screw 8-32 X 1/2 TPF-M
6	1	553290	Kit, Channel
7	2	551148	Ground Bar
8	6	218958	Ground Wire Assembly
9	8	213192	Pop Rivet, 5/32 X 1/4 SS
10	7	213107	#10 External Tooth Washer
11	7	213425	Screw, 10-32 X 3/8, Green Ground
12	4	212185	Conduit, 1/2 Flex Steel
13	4	212126	Connector, 1/2 90 Degrees
14	4	212112	Anti Short Bushing
15	4	212540	Straight Connector
16	1	228931	Gasket, Dry Channel 3
Not Shown	1	218934	Ground Wire Assembly

DRY CHANNEL RELAY BOX ASSEMBLY REV 5.1



ITEM	QTY.	PART NUMBER	DESCRIPTION
1	1	553286	Box, Relay with Switch
2	1	553256	Plate, Relay Mounting
3	6	218828	Relay, Mini No 20A-240V-24V
4	1	218805	Terminal Block
5	1	218829	Transformer, 208/240V Pri, 24V Sec
6	1	553202	Angle, Mounting Bracket, Left
7	1	553203	Angle, Mounting Bracket, Right
8	1	213403	Stud PEM 8-32 X 1/2 SS
9	1	218902	Barrier Strip
10	1	553257	Top, Relay Box
11	2	218904	Bushing, HEYCO 1217
12	1	218918	Harness, Dry Channel
13	1	218917	Harness, Dry Channel
14	12	213166	Pop Rivit 5/32 X 1/8 SS
15	4	213196	Screw, 8-32 X 1/2 PAN PHIL
16	4	154458	Nut Hex 8-32 HZ-T KEPS
17	13	213032	Screw 8 X 1/2 TEK PHIL
18	2	213427	Screw 4-40 X 1/2 FPPH
19	1	218919	Relays, Center Label
20	1	218919	Relays, Inside Label
21	1	218919	Relays, Outside Label
22	1	218919	RTD Colors Label
23	1	218919	RTD Numbers Label
24	1	218963	Switch, Toggle NKK 25 Amp
25	1	218965	Plate, ON – OFF 12MM
26	2	218946	Conduit, Assembly Power Supply Relay Box Hardwired
27	1	218819	Wiring Diagram

NOTES

NOTES



"Your Solutions Partner"

Duke Manufacturing Company

2305 N. Broadway • St. Louis, MO 63102

800.735.3853 • 314.231.1130

Fax: 314-231-5074

www.dukemfg.com