

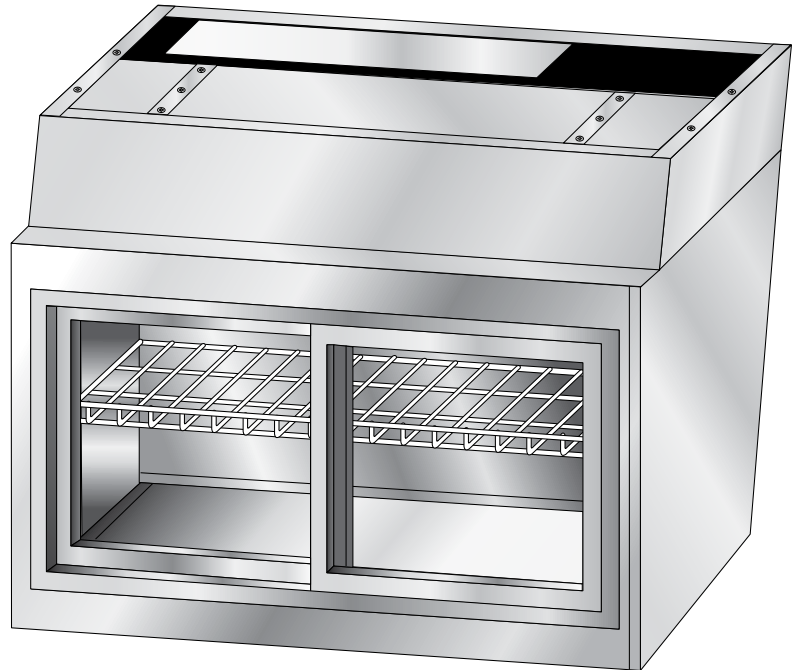


Your Solutions Partner

Illustrated Parts List

OVER HEAD REFRIGERATED MERCHANDISER

OHRM-39



*This manual is Copyright © 2017 Duke Manufacturing Co. All rights reserved.
Reproduction without written permission is prohibited. Duke is a registered
trademark of the Duke Manufacturing Co..*

Duke Manufacturing Co.

**2305 N. Broadway
St. Louis, MO 63102
Phone: 314-231-1130
Toll Free: 1-800-735-3853
Fax: 314-231-5074
www.dukemfg.com**

How to Determine Manufacture Date from Duke Equipment Serial Numbers

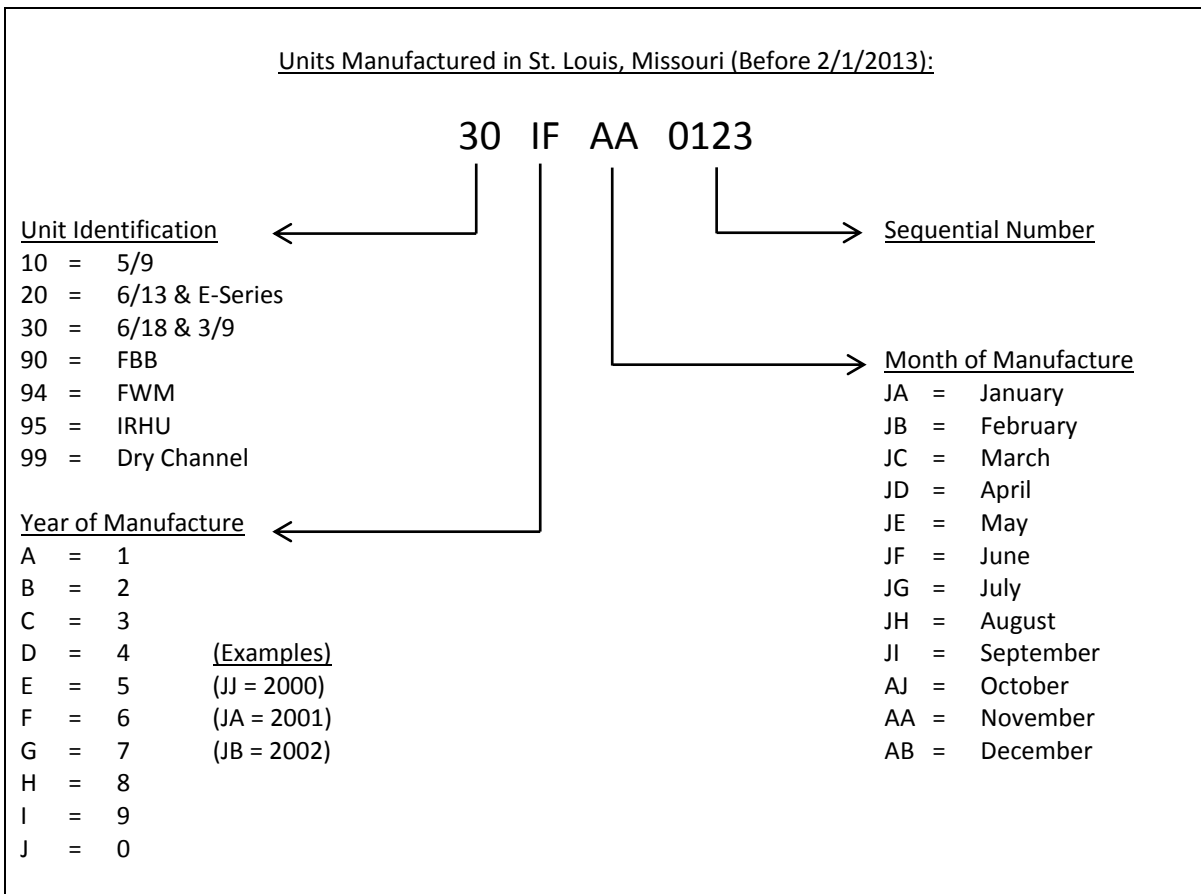
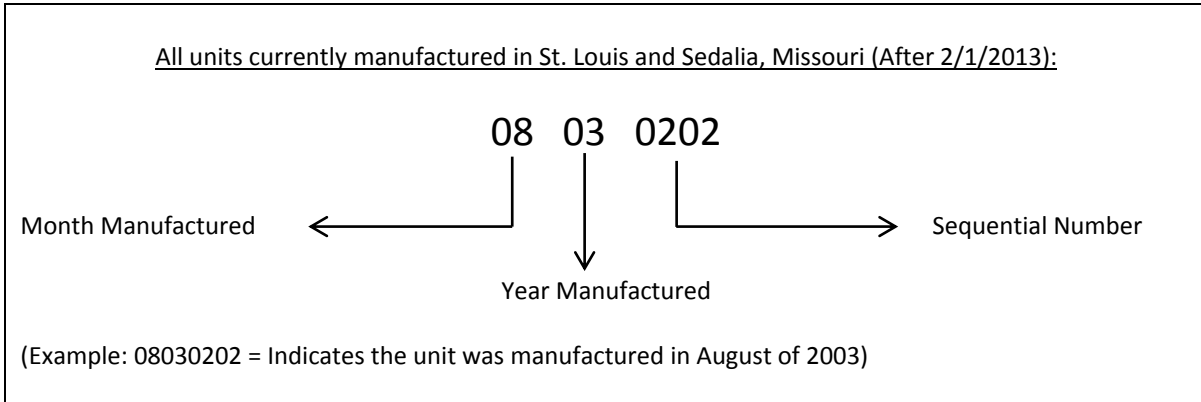


TABLE OF CONTENTS

FINAL ASSEMBLY.....	4
Table: PL-1 Final Assembly.....	4
Figure: PL-1 Final Assembly.....	5
INNER LINER	6
Table: PL-2 Inner Liner.....	6
Figure: PL-2 Inner Liner	6
EVAPORATOR ASSEMBLY	7
Table: PL-3 Evaporator Assembly	7
Figure: PL-3 Evaporator Assembly.....	7
EVAPORATOR FAN.....	7
Table: PL-4 Evaporator Fan.....	7
Figure: PL-4 Evaporator Fan	7
CONDENSER ASSEMBLY	8
Table: PL-5 Condenser Assembly	8
Figure: PL-5 Condenser Assembly	9
OHRM WIRING DIAGRAM	10

FINAL ASSEMBLY

ITEM	PART NUMBER	DESCRIPTION	QTY.
1	213957	GROMMET, ROUND 1-7/8" BLACK	3
2	216575	THERMOMETER, REGRIG	1
3	T993906	SALAD ANGLE HOLDER	2
4	225851	LIGHT, LED 12" CW 2.4W	2
5	225852	LIGHT, LED 8" CW 1.6W	1
6	225861	CORD, LED SINGLE 98"	4
7	E020583	RETAINER LED RECESSED	3
8	225745	Assembly, Sliding Door, 18" x 36"	1
Not Shown	600491	Kit, ORRM Door Replacement Gaskets	1
9	225840	LIGHT, LED 12" CW 2.4W 6500K	6
10	225842	LIGHT, LED 8" CW 1.6W 6500K	3
11	225737	RACK WIRE SHELF	1
12	T993907	ANGLE PIE HOLDER	1
13	225460	PUSHER, BEVTRAC (16/20 OZ)	8
Not shown	225855	DRIVER, LED, 24VDC 30W	1
Not shown	228700	SPRING, BK DOORS, YELLOW 11.5"	1

Table: PL-1 Final Assembly

FINAL ASSEMBLY

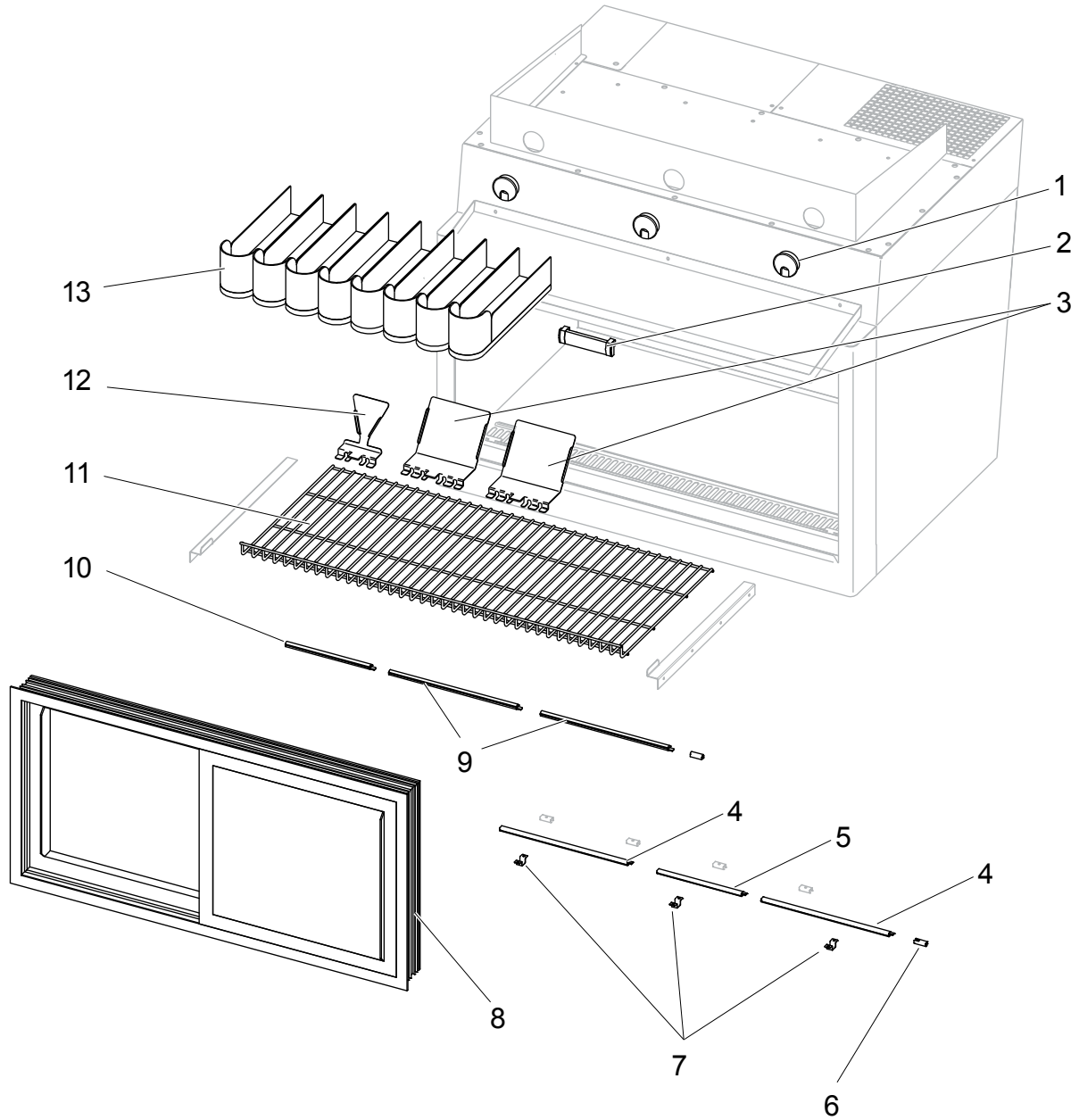


Figure: PL-1 Final Assembly

INNER LINER

ITEM	PART NUMBER	DESCRIPTION	QTY.
1	E020448	PANEL AIR DUCT BOTTOM	1
2	E020605	DIVERTER AIR FLOW	1

Table: PL-2 Inner Liner

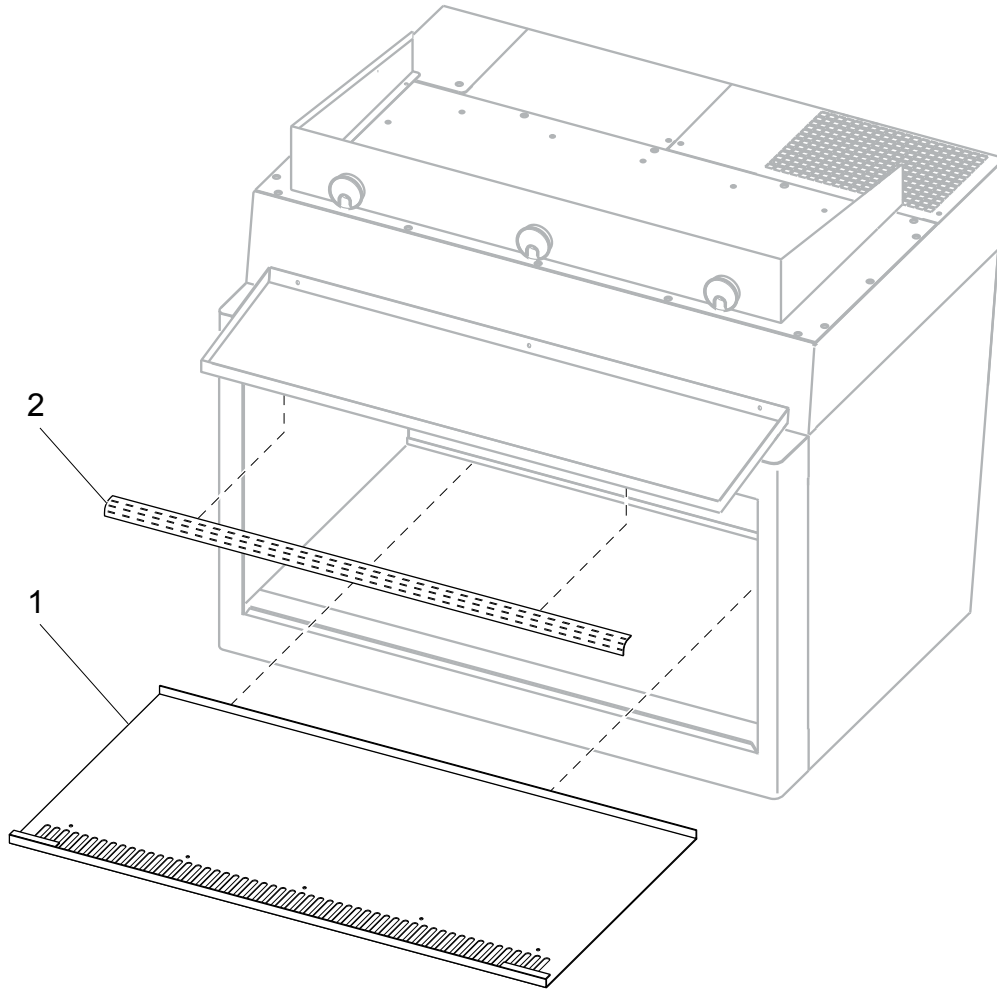


Figure: PL-2 Inner Liner

EVAPORATOR ASSEMBLY

ITEM	PART NUMBER	DESCRIPTION	QTY.
1	216827	Thermostat, 120V 60Hz	1
	216830	Thermostat, 220/230V, 50/60Hz	1
2	226570	EVAPORATOR COIL	1
Not Shown	216834	AIR TEMP PROBE	1
Not Shown	226838	EVAPORATOR PROBE	1

Table: PL-3 Evaporator Assembly

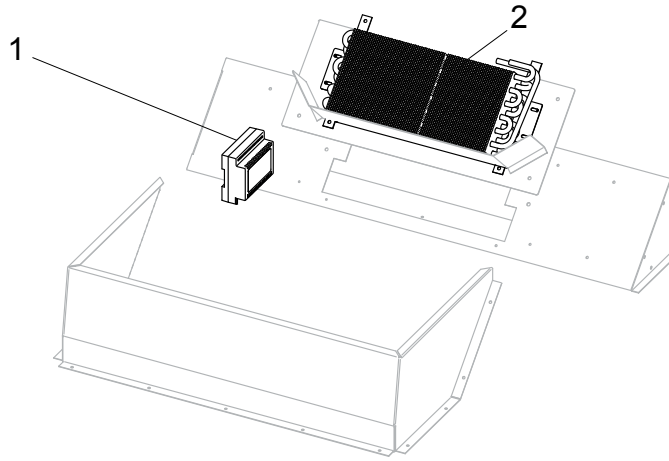


Figure: PL-3 Evaporator Assembly

EVAPORATOR FAN

ITEM	PART NUMBER	DESCRIPTION	QTY.
1	71138	FAN/MOTOR ASSEMBLY 120V	1
	216788	FAN/MOTOR ASSEMBLY 230V	1

Table: PL-4 Evaporator Fan

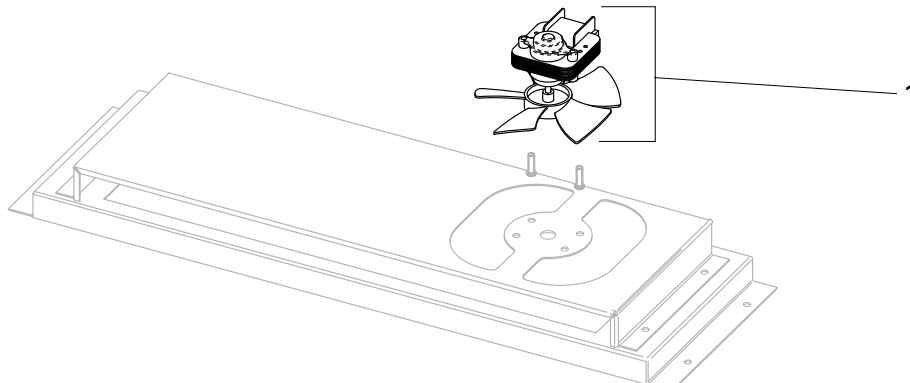


Figure: PL-4 Evaporator Fan

CONDENSER ASSEMBLY

ITEM	PART NUMBER	DESCRIPTION	QTY.
1	E020615	COIL, DRAIN PAN OHRM	1
2	E020411	BRACKET ANGLE COIL HOLD DN	2
3	216486	CONDENSER UNIT, 1/5HP 120V R134	1
Not Shown	217826	RELAY, 120VAC 60Hz (<i>Ref-216486</i>)	1
Not Shown	217843	START CAPACITOR, 120VAC 60Hz (<i>Ref-216486</i>)	1
Not Shown	217825	OVERLOAD PROTECTOR, 120VAC 60Hz (<i>Ref-216486</i>)	1
3	216447	CONDENSER UNIT, 1/5 HP 220V R134	1
Not Shown	217863	RELAY, 220V 50Hz (<i>REF-216447</i>)	1
Not Shown	217864	START CAPACITOR, 220V 50Hz (<i>REF-216447</i>)	1
Not Shown	217862	OVERLOAD PROTECTOR, 220V 50HZ (<i>REF-216447</i>)	1
4	212372	RECEPTACLE, ELEC 5-15 GFCI DUPLEX	1
	222153	RECEPTACLE, SCHUKO, 16A 250V	1
5	213091	THUMB SCREW, 10-24 X 3/8	2
6	E020493	COVER REMOVABLE CONDENSER	1
7	225739	BREAKER, 4 AMP CIRCUIT TYCO TYCO #W28XQ1A4	1
8	222302	SWITCH, ROCKER, RED 250V	1

Table: PL-5 Condenser Assembly

CONDENSER ASSEMBLY

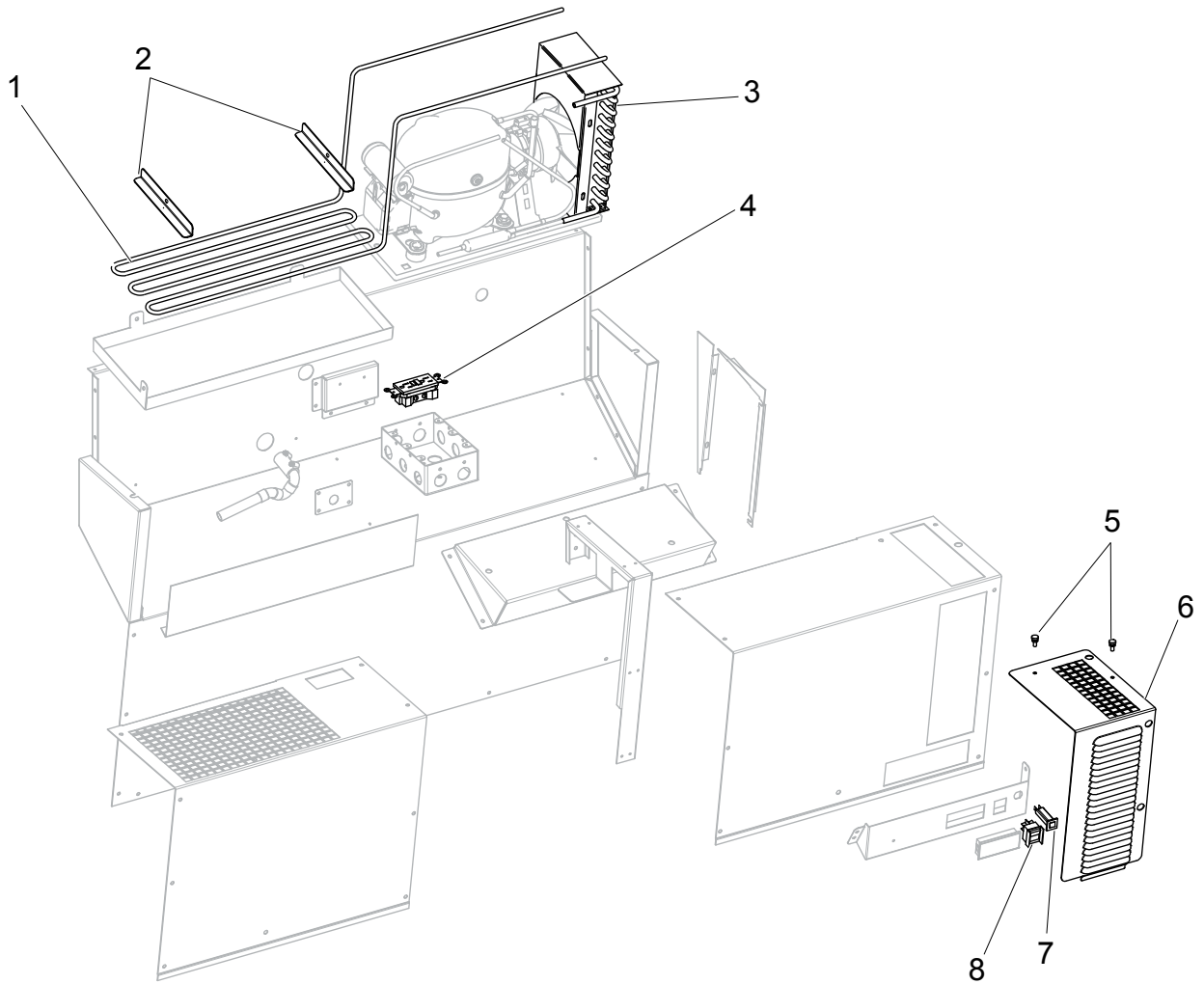
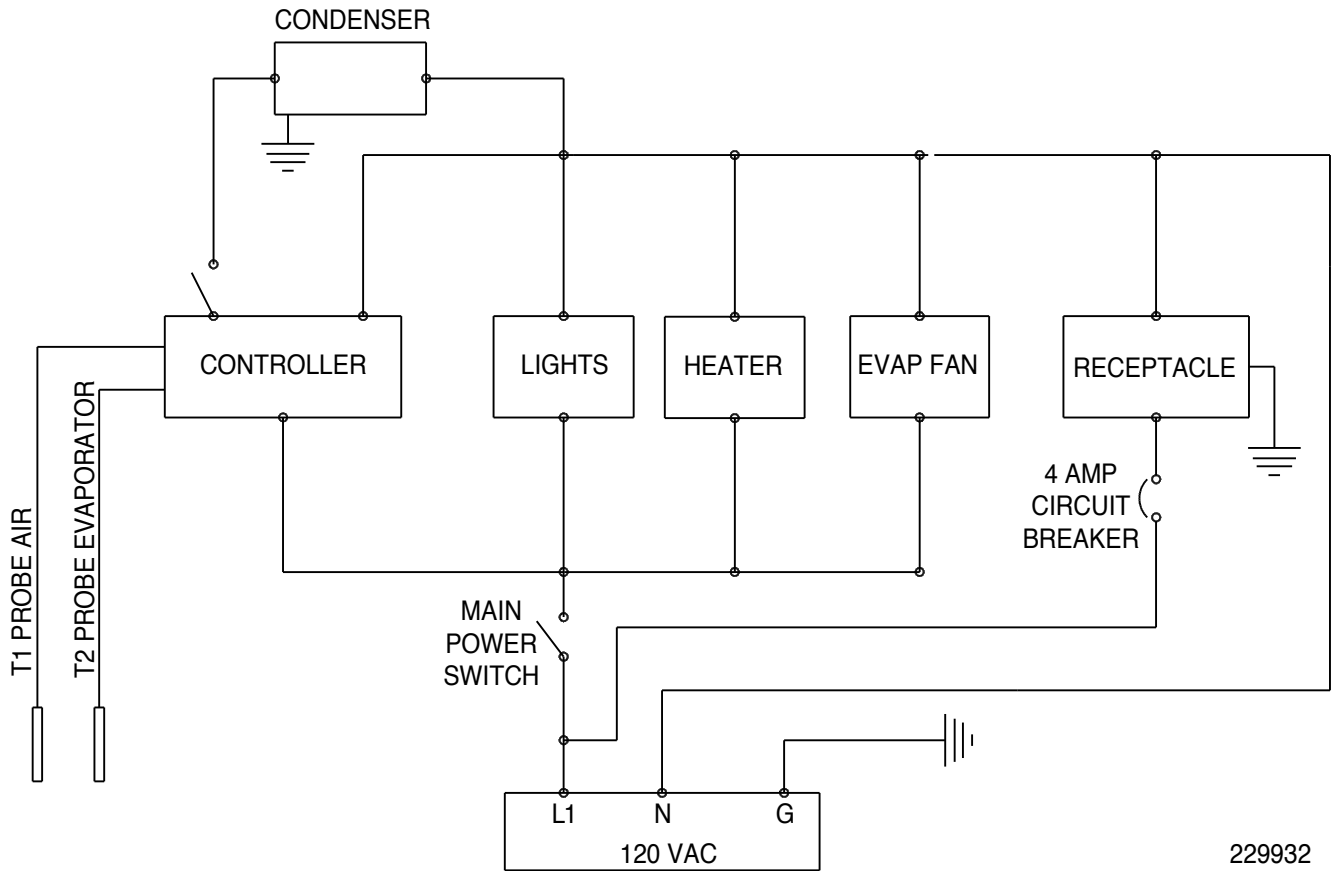


Figure: PL-5 Condenser Assembly

OHRM WIRING DIAGRAM



Notes:



Your Solutions Partner

Duke Manufacturing Company

**2305 N. Broadway
St. Louis, MO 63102
Phone: 314-231-1130
Toll Free: 1-800-735-3853
Fax: 314-231-5074
www.dukemfg.com**