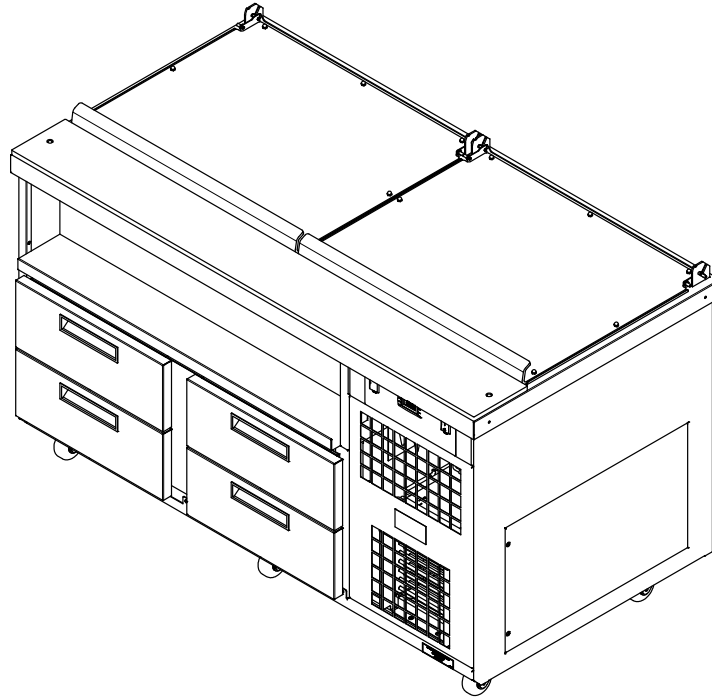




Your Solutions Partner

Illustrated Parts List



REFRIGERATED BASE DUPLEX

MODELS

RBD-60TC4-120 (Tri-Channel)

RBD-60CP4-120 (8" Cold Pan)

RBD-60CP4D-120 (10" Cold Pan)

*This manual is Copyright © 2018 Duke Manufacturing Co. All rights reserved.
Reproduction without written permission is prohibited. Duke is a registered
trademark of the Duke Manufacturing Co.*

Duke Manufacturing Co.

2305 N. Broadway • St. Louis, MO 63102

800.735.3853 • 314.231.1130

Fax: 314-231-5074

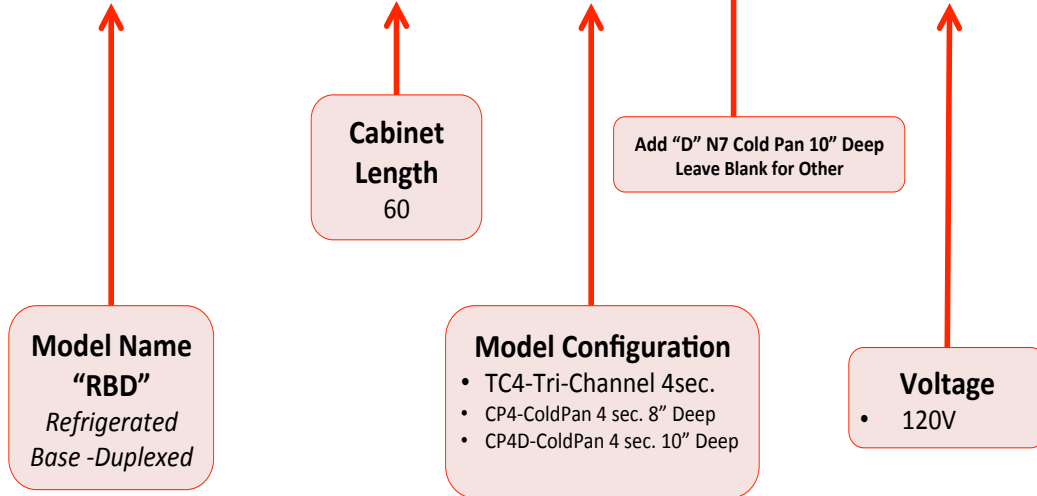
www.dukemfg.com

TABLE OF CONTENTS

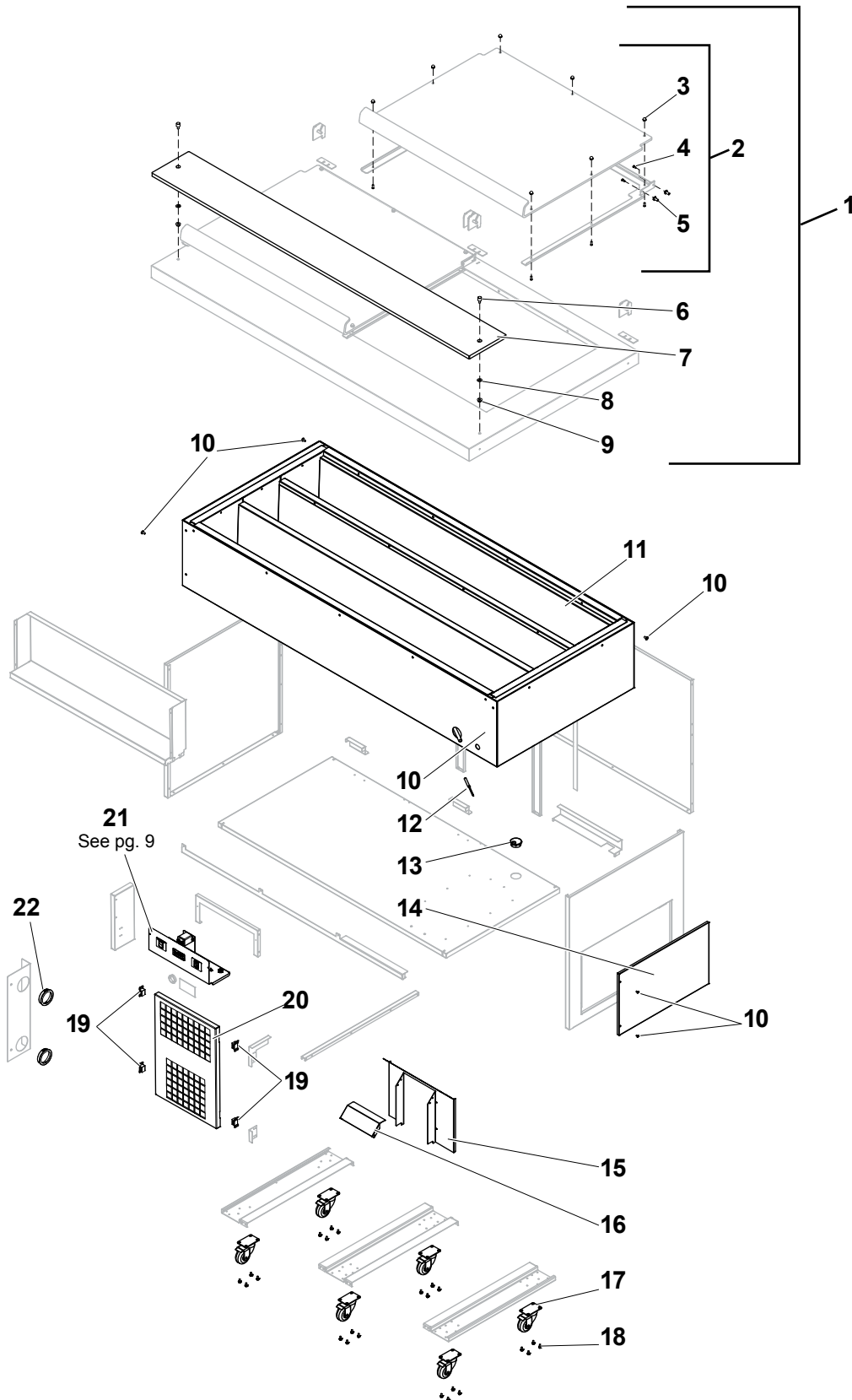
RBD MODEL NUMBER CONVENTION.....	3
RBD-60TC4-120 (Tri-Channel).....	4-5
RBD-60TC4-120 (Tri-Channel) REFRIGERATION ASSEMBLY	6-7
RBD-60TC4-120 (Tri-Channel) DRAWER ASSEMBLY	8
RBD-60TC4-120 (Tri-Channel) CONTROL PANEL.....	9
RBD-60CP4D-120 & RBD-60CP4-120 (COLD PAN).....	10-11
RBD-60CP COLD PAN REFRIGERATION ASSEMBLY	12-13
RBD-60CP COLD PAN DRAWER ASSEMBLY	14
RBD-60CP COLD PAN CONTROL PANEL.....	15
WIRING DIAGRAM – DUPLEX TRI-CHANNEL.....	16
WIRING DIAGRAM – COLD PAN	17

Refrigerated Base Duplexed Systems RBD Model Number Convention

R B D - 6 0 T C 4 - 1 2 0



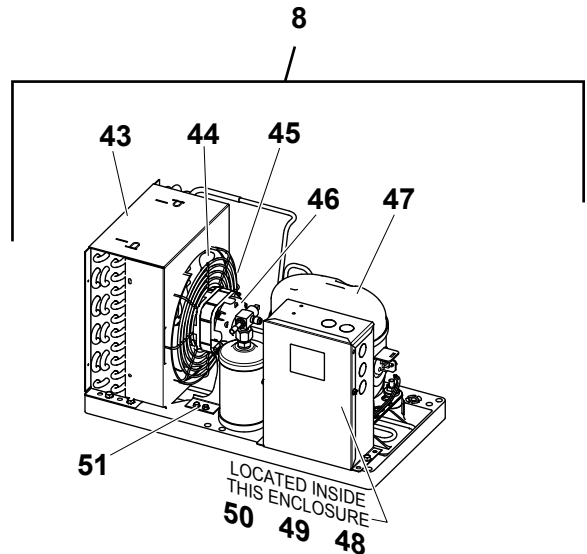
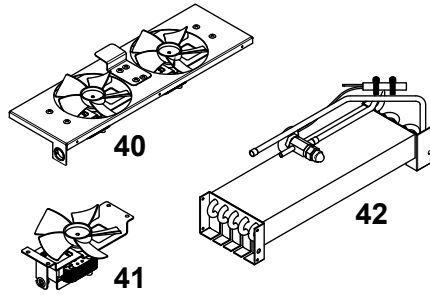
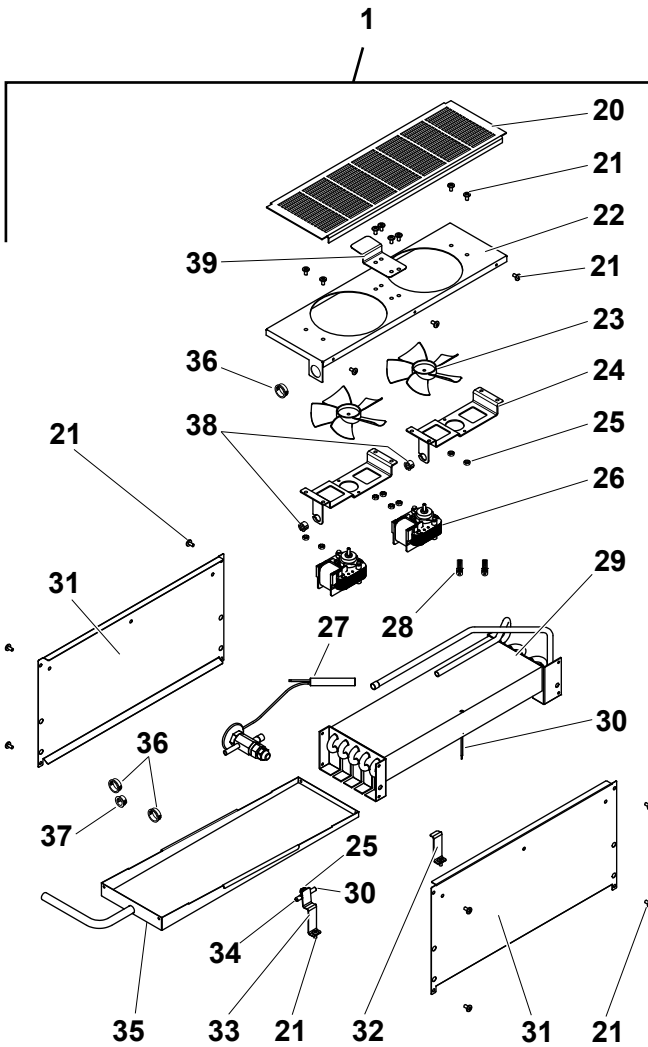
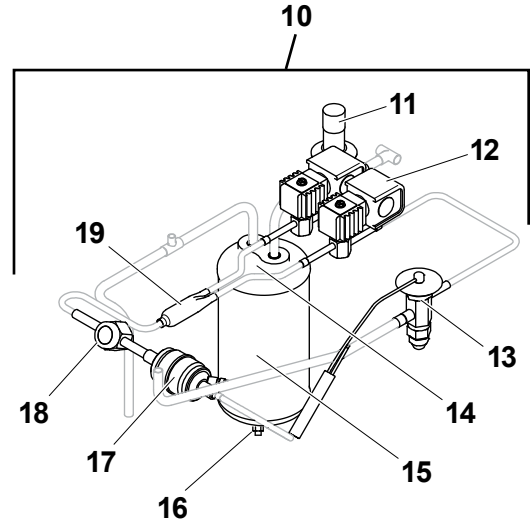
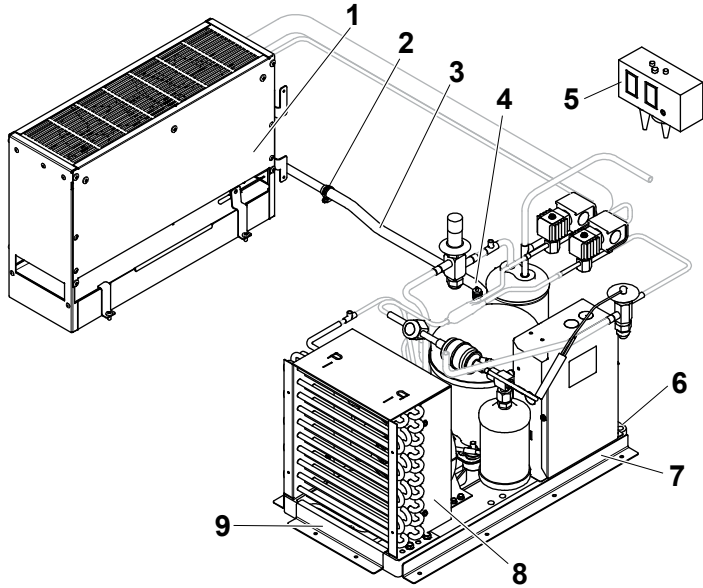
RBD-60TC4-120 (TRI-CHANNEL)



RBD-60CP4-120 (TRI-CHANNEL)

ITEM	PART NO.	DESCRIPTION	QTY.
1	1075-2014K	SERVICE, ASSEMBLY, RBD-60-TC4 TOP	1
2	1075-2005K	SERVICE, ASSEMBLY, ACRYLIC COVER	2
3	213127	NUT, ACORN, 10-24 1/4" DEEP	14
4	223961	SCREW. SS LID COVER	8
5	223825	NIGHT COVER PIN	8
6	214728	PIN POSITION BOARD CARVING	2
7	525006	CARVING BOARD, 1/2" X 7" X 60" RICHLITE	1
8	213197	WASHER, .625 OD X .281 ID .050 THICK, SS	2
9	213042	NUT HEX 1/4-20 SERRATED	2
10	213360	SCREW,10-24X3/8 PTMS SS W/NYLOK PATCH	21
11	260954K	SERVICE ASSEMBLY, TRI-CHANNEL FOAMED BODY TRI DI 4S	1
12	526012	PROBE, 2.5 METER NTC PROBE (501-7071)	1
13	213957	GROMMET - ROUND 1-7/8" BLACK #6727-014	1
14	1075-0134	SERVICE PANEL	1
15	1075-0130	CONDENSING COIL SHROUD	1
16	1075-0131	CONDENSING COIL SHROUD TOP	1
17	215002	CASTER, 3"DIA SWIVEL W/BRAKE 4" LOAD HEIGHT	6
18	213023	SCREW,1/4-20X1/2" TRD FRM	24
19	214644	LATCH,MAGNETIC 918 ALUM	4
20	1075-0142	PERFORATED ACCESS PANEL	1
21	1075-2019K	SERVICE, ASSEMBLY, CONTROL PANEL RBD-60TC4-120	1
22	222047	BUSHING, HEYCO #2400	2

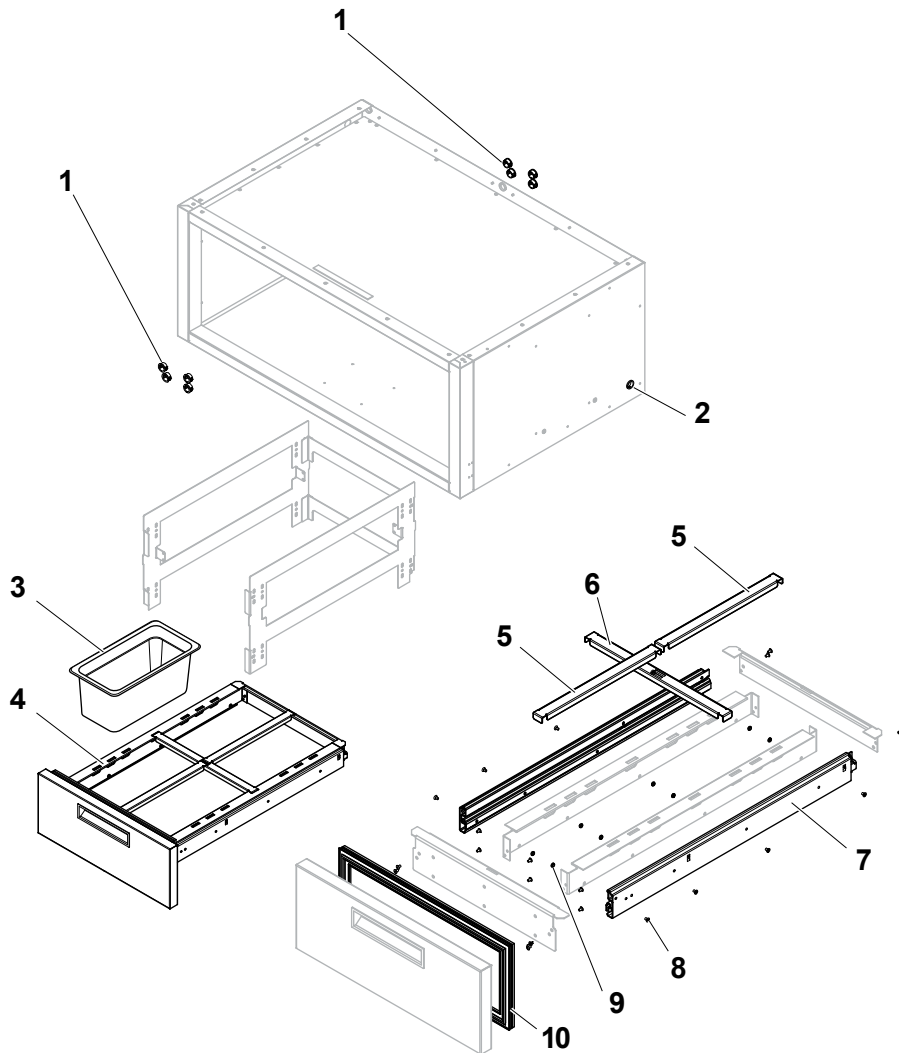
RBD-60TC4-120 (TRI-CHANNEL) REFRIGERATION ASSEMBLY



RBD-60TC4-120 (TRI-CHANNEL) REFRIGERATION ASSEMBLY

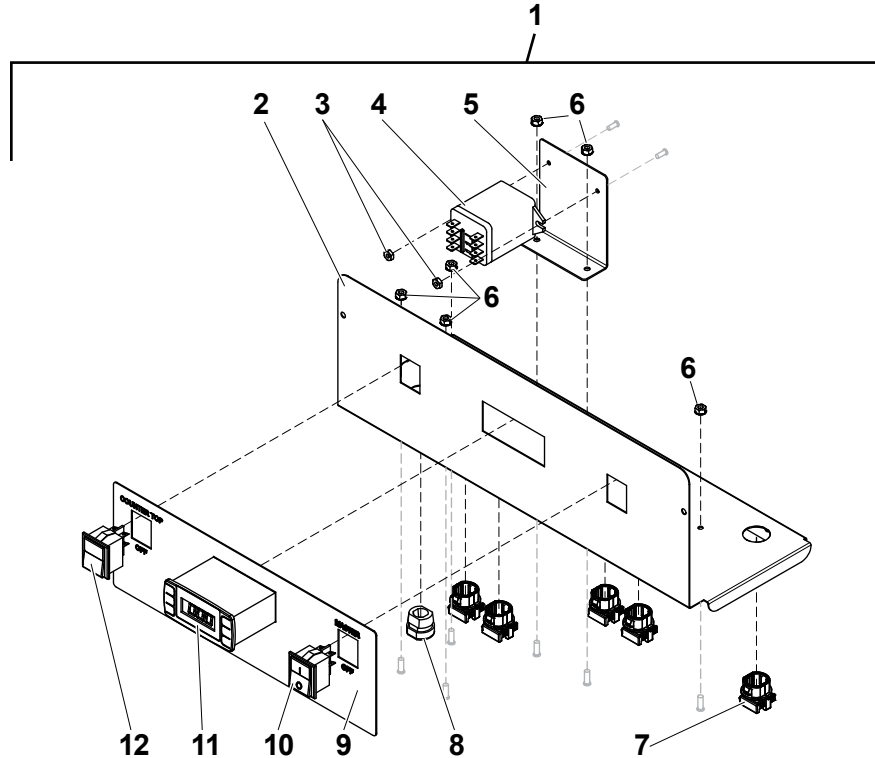
ITEM	PART NO.	DESCRIPTION	QTY.
1	1075-2009K	SERVICE ASSEMBLY, MULLION EVAP BOX	1
2	213450	CLAMP, HOSE WORM GEAR	1
3	1075-0158K	SERVICE, DRAIN TUBE HOSE	1
4	216547	VALVE 1/4" SCHRADER	1
5	524805-2K	SERVICE, ASSEMBLY, RBD-60TC CONTROL W/SETTINGS, DUAL PRESS	1
6	1075-0123	CONDENSING UNIT BACK ANGLE	1
7	1075-0122	CONDENSING UNIT SIDE GUIDE ANGLES	2
8	226749	UNIT, CONDENSING 115V 60HZ 2180BTU/HR AE2425Z-AA3CEC	1
9	1075-0121	CONDENSING UNIT HOLD DOWN ANGLE	1
10	1075-2007K	SERVICE, ASSEMBLY, TRI-CHANNEL CONDENSING UNIT MANIFOLD	1
11	226045-1K	VALVE, SPORLAN CRO-4-07/75 3X3 ODF W/ SETTINGS	1
12	216553	SOLENOID, REFRIG W/COIL 120V	2
13	526316-1K	VALVE, TXV SPORLAN EFD-1/5-Z 1/4"X3/8" W/ SETTINGS	1
14	226117	ACCUMULATOR, SPORLAN 3" DIA. 3/8" FITTINGS 1BS	1
15	526805	INSULATION, ACCUMULATOR	1
16	213041	NUT HEX 10-24 SERRATED	1
17	226039	DRIER, FILTER	1
18	216415	SIGHT GLASS, 1/4" ODF SOLDER	1
19	226832	DISTRIBUTOR	1
20	1075-0043	DISCHARGE PLATE	1
21	213360	SCREW 10-24 X 3/8 PHIL	23
22	1075-0082	FAN BASE, MULLION EVAP BOX	1
23	226748	5" DIAM, 5 BLADE, 3/16" BORE, CW	2
24	1075-0081	FAN BRACKET WITH OFFSET	2
25	213322	NUT HEX 10-24 HZ-T KEPS	9
26	226746	MOTOR, FAN, 120V 60HZ 0.73A	2
27	526311-1K	VALVE, TXV SPORLAN EFD-1/10-C 1/4"X3/8"	1
28	213450	CLAMP, HOSE WORM GEAR	2
29	526602	COIL, EVAP. LUVATA #133207402 (2ROW)	1
30	526012	PROBE, 2.5 METER NTC PROBE (501-7071)	2
31	1075-0152	SIDE PANELS, MULLION EVAP BOX	2
32	1075-0155	HOLD DOWN, MULLION EVAP BOX	3
33	1075-0156	HOLD DOWN, W/PROBE FLANGE	1
34	115412	CLAMP, CABLE NYLON	1
35	1075-2023K	SERVICE, DRAIN PAN ASSEMBLY	1
36	212911	BUSHING, HEYCO B-875-750	3
37	213335	BUSHING, HEYCO SB-625-8	1
38	175512	BUSHING, HEYCO, OPEN, 1/2"	2
39	1075-0125	DISCHARGE GRATE SUPPORT	1
40	1075-0180K	SERVICE, ASSEMBLY, DUAL FAN W/BLADES AND BRACKETS	1
41	1075-0179K	SERVICE, ASSEMBLY, SINGLE FAN W/BLADE AND BRACKET	A/R
42	1075-0178K	SERVICE ASSEMBLY, COIL EVAPORATOR AND TXV VALVE	1
43	527113	SERVICE, CONDENSER COIL (REF-226749 COND UNIT)	1
44	527118	SERVICE, CONDENSER FAN BLADE (REF-226749 COND UNIT)	1
45	527119	SERVICE, CONDENSER FAN SCHROUD (REF-226749 COND UNIT)	1
46	527117	SERVICE, CONDENSER FAN MOTOR (REF-226749 COND UNIT)	1
47	527112	SERVICE, COMPRESSOR (REF-226749 COND UNIT)	1
48	527115	SERVICE, RUN CAPACITOR (REF-226749 COND UNIT)	1
49	527116	SERVICE, RELAY (REF-226749 COND UNIT)	1
50	527114	SERVICE, START CAPACITOR (REF-226749 COND UNIT)	1
51	527120	SERVICE, CONDENSER FAN MOTOR BRACKET (REF-226749 COND UNIT)	1

RBD-60TC4-120 (TRI-CHANNEL) DRAWER ASSEMBLY



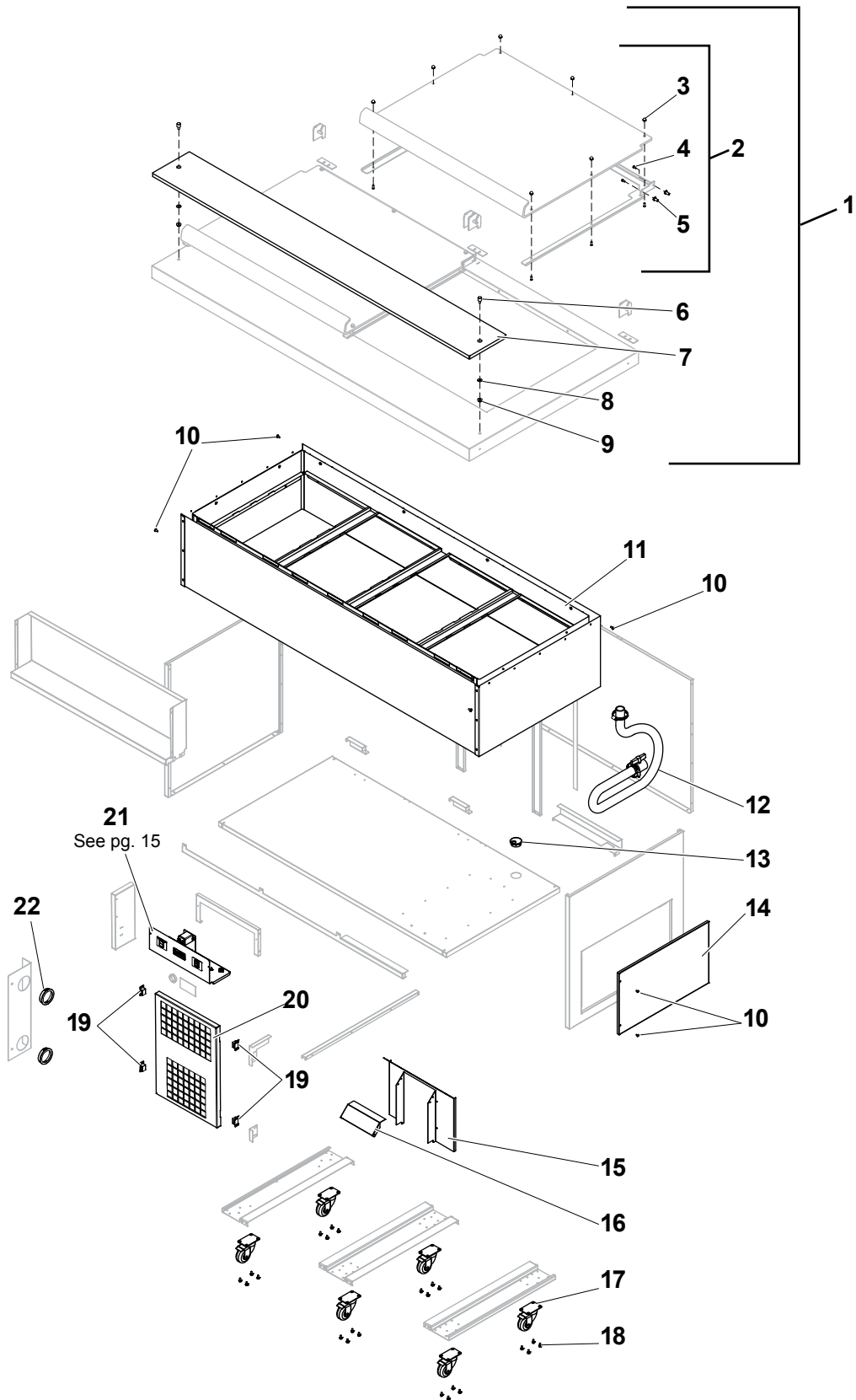
ITEM	PART NO.	DESCRIPTION	QTY.
1	212023	BUSHING,HEYCO SB-875-11	8
2	212911	BUSHING,7/8" HEYCO 2850	2
3	217633	PAN, 1/3 6" DP BLACK	A/R
4	1075-2022K	SERVICE ASSEMBLY, SINGLE DRAWER ASSEMBLY	A/R
5	1075-0055	PAN SUPPORT	8
6	1075-0054	PAN SUPPORT	4
7	211602	SLIDE, DRAWER	4
8	223362	SCREW, MS SS PHILLIPS FLAT HD. 8-32 X 1/4" LGTH	32
9	213214	NUT PEM 8-32 PF-H	32
10	526050	GASKET, MAGNETIC DRAWER 7.501" X 17.501"	4

RBD-60TC4-120 (TRI-CHANNEL) CONTROL PANEL



ITEM	PART NO.	DESCRIPTION	QTY.
1	1075-2019K	SERVICE, ASSEMBLY, CONTROL PANEL RBD-60TC4-120	1
2	1075-0177K	SERVICE, CONTROL PANEL, REMOVABLE W/BUSHINGS & PEM STUDS	1
3	213004	NUT HEX 6-32	2
4	115330	RELAY, DPDT, 40A, 120VAC COIL	1
5	1075-0175K	SERVICE, RELAY BRACKET W/PEM STUDS	1
6	154458	NUT HEX 8-32 HZ-T KEPS	6
7	222101	BUSHING, HEYCO 1280 STRAIN RELIEF	5
8	212002	BUSHING, HEYCO 1237	1
9	529112	LABEL RBD CONTROL	1
10	160406	SWITCH, DPST 20A 125V	1
11	224409-TK	SERVICE, CUSTOM PROGRAMMED CONTROL RBDTC	1
12	522290	SWITCH, DPST 20A 125V	1
NS	522429	CORD, POWER, 15A 125V W/TERM.	1
NS	ELC0255	HARNESS, EVAP FANS	1
NS	ELC0256	ABRASIVE FLEX TUBING	1
NS	ELC0303	HARN – CNTL BOX TO COMPRESSOR	1
NS	ELC0304	HARN – CNTL BOX TO DUAL PRES. SW	1
NS	ELC0305	HARN – CNTL BOX TO TOP REFIG. VALVE	1
NS	ELC0306	HARN – CNTL BOX TO BOTTOM REFIG. VALVE	1
NS	ELC0308	HARN – CNTL BOX, DUPLEX TRICHANNEL	1

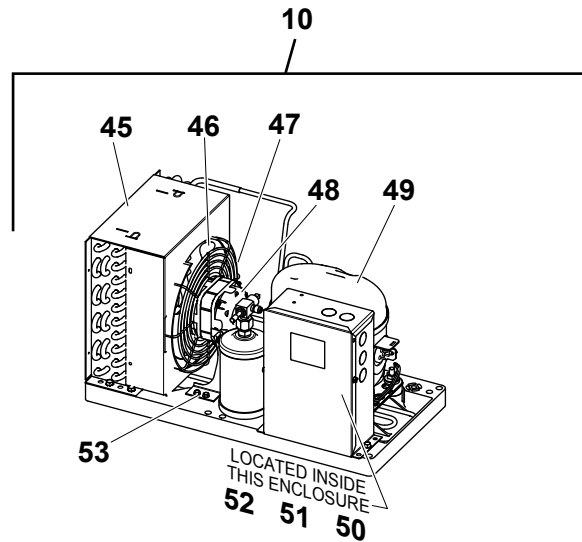
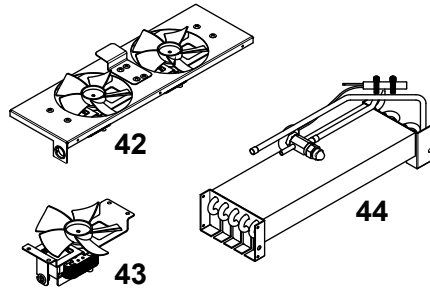
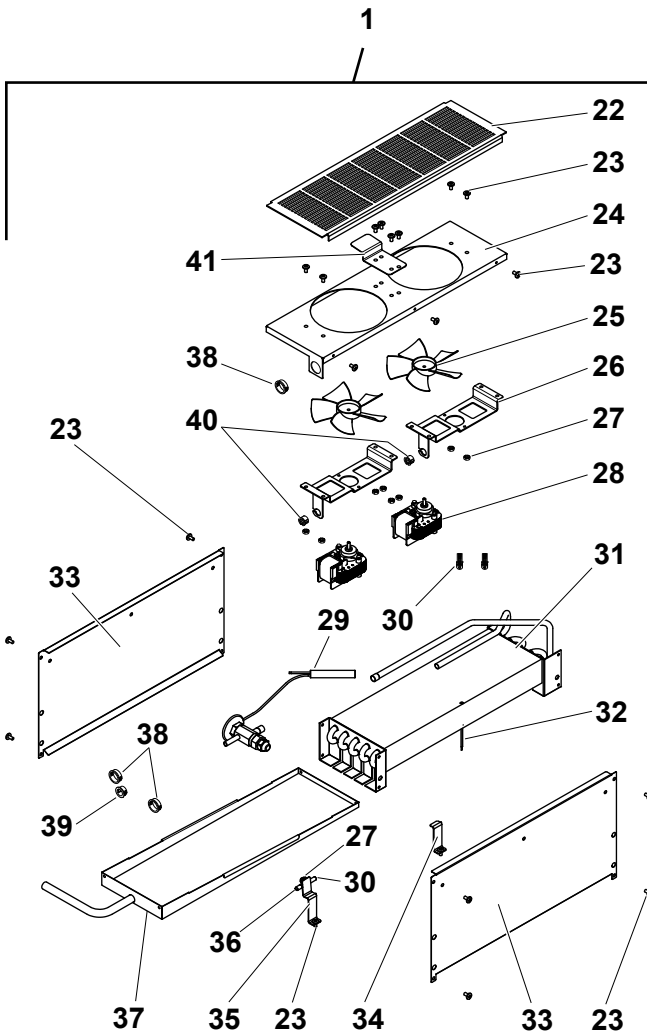
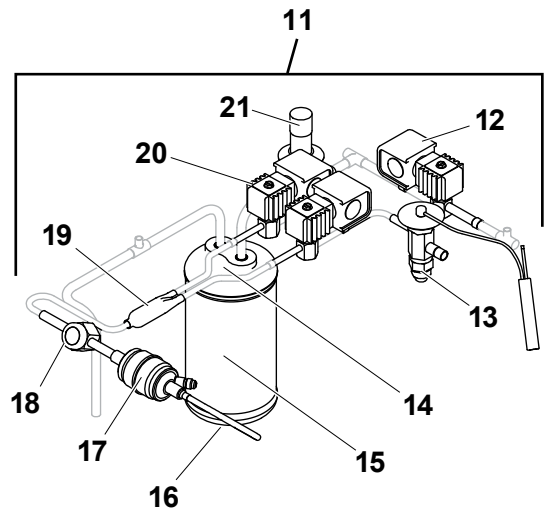
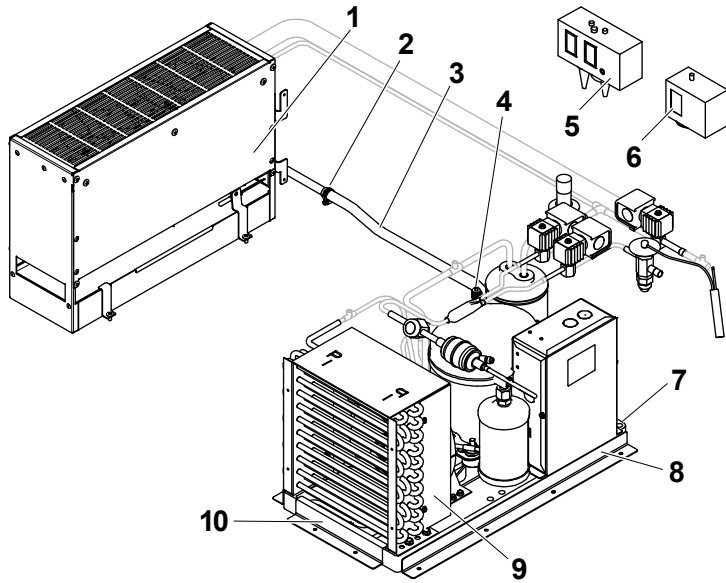
RBD-60CP4D-120 & RBD-60CP4-120 (COLD PAN)



RBD-60CP4D-120 & RBD-60CP4-120 (COLD PAN)

ITEM	PART NO.	DESCRIPTION	QTY.	
			RBD-60CP4D-120	RBD-60CP4-120
1	1075-2015K	SERVICE, ASSEMBLY, RBD-60-CP4 TOP		1
2	1075-2005K	SERVICE, ASSEMBLY, ACRYLIC COVER		2
3	213127	NUT, ACORN 10-24 1/4 DEEP		14
4	223961	SCREW, SS LID COVER		8
5	223825	PIN, HINGE LID/COVER BRACKET		8
6	214728	POSITION STUD SS 7/16" CARVING BOARD		2
7	525006	CARVING BOARD, 1/2" X 7" X 60" RICHLITE		1
8	213197	WASHER, .625 OD X .281 ID .050 THICK, SS		2
9	213042	NUT HEX 1/4-20 SERRATED		2
10	213360	SCREW,10-24X3/8 PTMS SS W/NYLOK PATCH		21
11	1068-0054K	SERVICE ASSEMBLY, COLD PAN FOAMED BODY, N7M6, 4 SEC 10" DEEP	1	
	1068-0014K	SERVICE ASSEMBLY, COLD PAN FOAMED BODY, N7M6, 4 SEC 8" DEEP		1
12	1075-2008K	SERVICE, COLD PAN DRAIN ASSEMBLY		1
13	213957	GROMMET - ROUND 1-7/8" BLACK #6727-014		1
14	1075-0134	SERVICE PANEL		1
15	1075-0130	CONDENSING COIL SHROUD		1
16	1075-0131	CONDENSING COIL SHROUD TOP		1
17	215002	CASTER, 3"DIA SWIVEL W/BRAKE 4" LOAD HEIGHT		6
18	213023	SCREW,1/4-20X1/2" TRD FRM		24
19	214644	LATCH,MAGNETIC 918 ALUM		4
20	1075-0142	PERFORATED ACCESS PANEL		1
21	1075-2020K	SERVICE, ASSEMBLY, CONTROL PANEL RBD-60CP4D-120	1	
	1075-2021K	SERVICE, ASSEMBLY, CONTROL PANEL RBD-60CP4-120		1
22	222047	BUSHING, HEYCO #2400		2

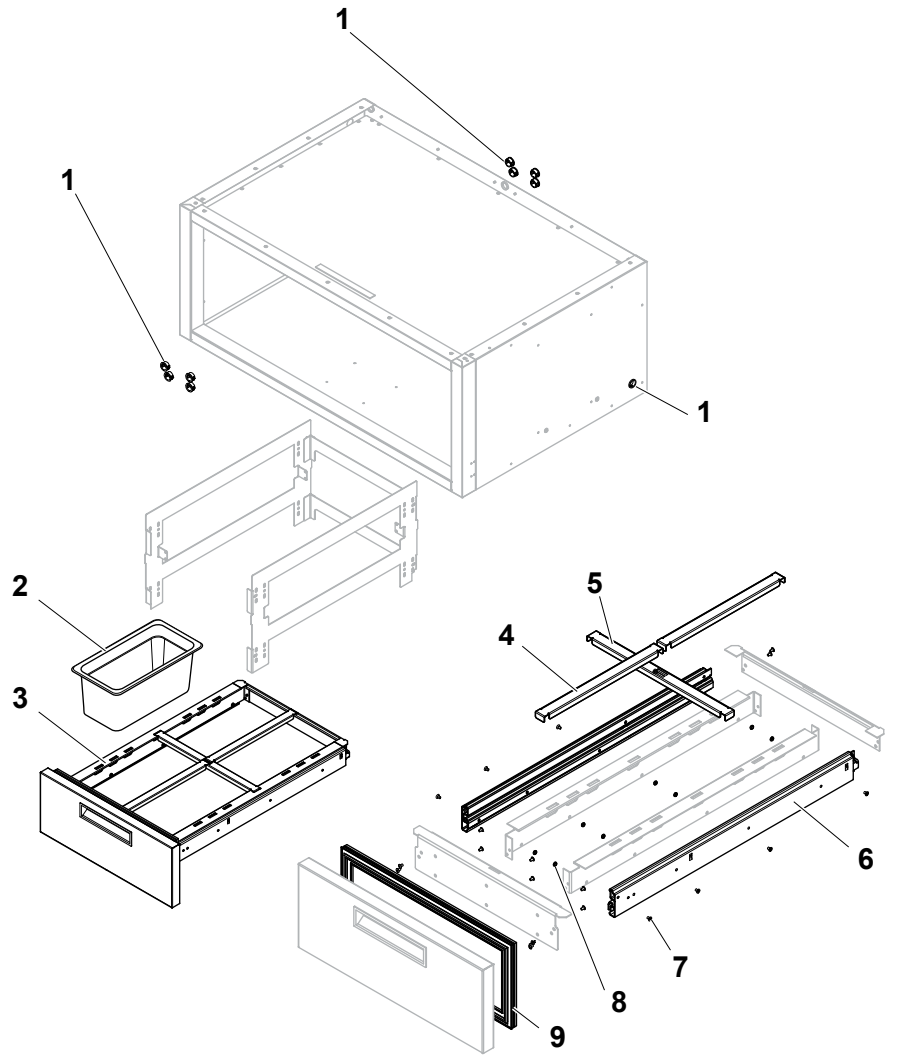
RBD-60CP COLD PAN REFRIGERATION ASSEMBLY



RBD-60CP COLD PAN REFRIGERATION ASSEMBLY

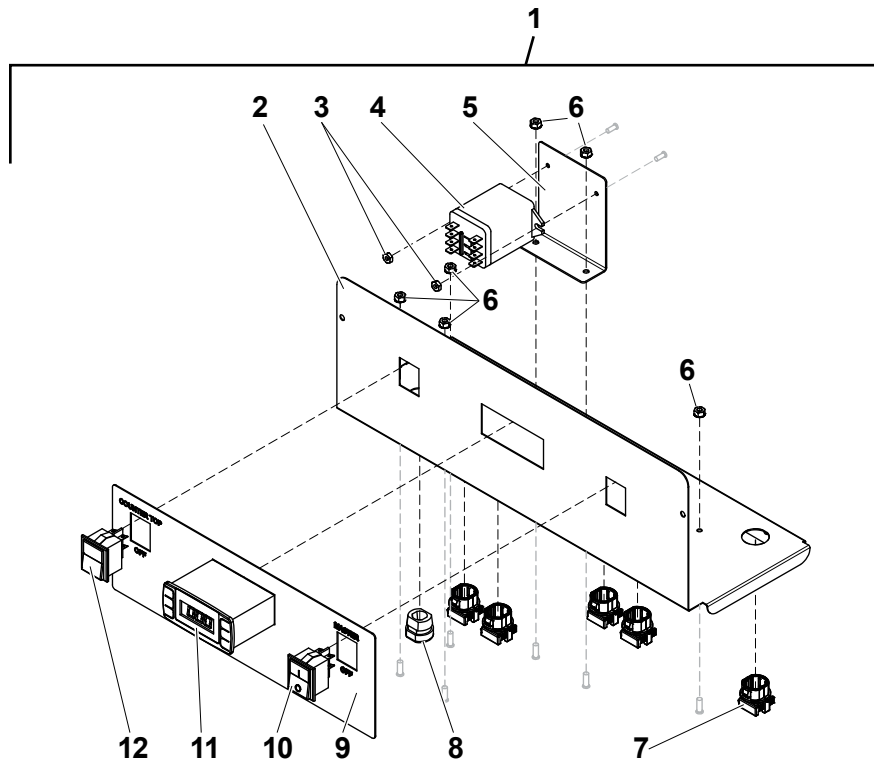
ITEM	PART NO.	DESCRIPTION	QTY.
1	1075-2009K	SERVICE, ASSEMBLY, MULLION EVAP BOX	1
2	213450	CLAMP, HOSE WORM GEAR	1
3	1075-0158K	SERVICE, DRAIN TUBE HOSE	1
4	216547	VALVE 1/4" SCHRADER	1
5	524805-1K	SERVICE, ASSEMBLY, RBD-60CP CONTROL W/SETTINGS, DUAL PRESS	1
6	216888-1K	SERVICE, ASSEMBLY, RBD-60CP PRESSURE CONTROL W/SETTINGS	1
7	1075-0123	CONDENSING UNIT BACK ANGLE	1
8	1075-0122	CONDENSING UNIT SIDE GUIDE ANGLES	2
9	226749	UNIT, CONDENSING 115V 60HZ 2180BTU/HR AE2425Z-AA3CEC	1
10	1075-0121	CONDENSING UNIT HOLD DOWN ANGLE	1
11	1075-2017K	SERVICE, ASSEMBLY, COLD PAN CONDENSING UNIT MANIFOLD	1
12	1075-2018	ASM, SOLENOID VALVE AND COIL	1
13	526312-1K	SERVICE, VALVE, SPORLAN FRV-1/5-C 1/4" X 3/8"	1
14	226117	ACCUMULATOR, SPORLAN 3" DIA. 3/8" FITTINGS 1BS	1
15	526805	INSULATION, ACCUMULATOR	1
16	213041	NUT HEX 10-24 SERRATED	1
17	226039	DRIER, FILTER	1
18	216415	SIGHT GLASS, 1/4" ODF SOLDER	1
19	226832	DISTRIBUTOR	1
20	216553	SOLENOID, REFRIG W/COIL 120V	2
21	226045-1K	VALVE, SPORLAN CRO-4-07/75 3X3 ODF W/ SETTINGS	1
22	1075-0043	DISCHARGE PLATE	1
23	213360	SCREW 10-24 X 3/8 PHIL	23
24	1075-0082	FAN BASE, MULLION EVAP BOX	1
25	226748	5" DIAM, 5 BLADE, 3/16" BORE, CW	2
26	1075-0081	FAN BRACKET WITH OFFSET	2
27	213322	NUT HEX 10-24 HZ-T KEPS	9
28	226746	MOTOR, FAN, 120V 60HZ 0.73A	2
29	526311-1K	VALVE, TXV SPORLAN EFD-1/10-C 1/4"X3/8"	1
30	213450	CLAMP, HOSE WORM GEAR	2
31	526602	COIL, EVAP. LUVATA #133207402 (2ROW)	1
32	526012	PROBE, 2.5 METER NTC PROBE (501-7071)	2
33	1075-0152	SIDE PANELS, MULLION EVAP BOX	2
34	1075-0155	HOLD DOWN, MULLION EVAP BOX	3
35	1075-0156	HOLD DOWN, W/PROBE FLANGE	1
36	115412	CLAMP, CABLE NYLON	1
37	1075-2023K	SERVICE, DRAIN PAN ASSEMBLY	1
38	212911	BUSHING, HEYCO B-875-750	3
39	213335	BUSHING, HEYCO SB-625-8	1
40	175512	BUSHING, HEYCO, OPEN, 1/2"	2
41	1075-0125	DISCHARGE GRATE SUPPORT	1
42	1075-0180K	SERVICE, ASSEMBLY, DUAL FAN W/BLADES AND BRACKETS	1
43	1075-0179K	SERVICE, ASSEMBLY, SINGLE FAN W/BLADE AND BRACKET	A/R
44	1075-0178K	SERVICE ASSEMBLY, COIL EVAPORATOR AND TXV VALVE	1
45	527113	SERVICE, CONDENSER COIL (REF-226749 COND UNIT)	1
46	527118	SERVICE, CONDENSER FAN BLADE (REF-226749 COND UNIT)	1
47	527119	SERVICE, CONDENSER FAN SCHROUD (REF-226749 COND UNIT)	1
48	527117	SERVICE, CONDENSER FAN MOTOR (REF-226749 COND UNIT)	1
49	527112	SERVICE, COMPRESSOR (REF-226749 COND UNIT)	1
50	527115	SERVICE, RUN CAPACITOR (REF-226749 COND UNIT)	1
51	527116	SERVICE, RELAY (REF-226749 COND UNIT)	1
52	527114	SERVICE, START CAPACITOR (REF-226749 COND UNIT)	1
53	527120	SERVICE, CONDENSER FAN MOTOR BRACKET (REF-226749 COND UNIT)	1

RBD-60CP COLD PAN DRAWER ASSEMBLY



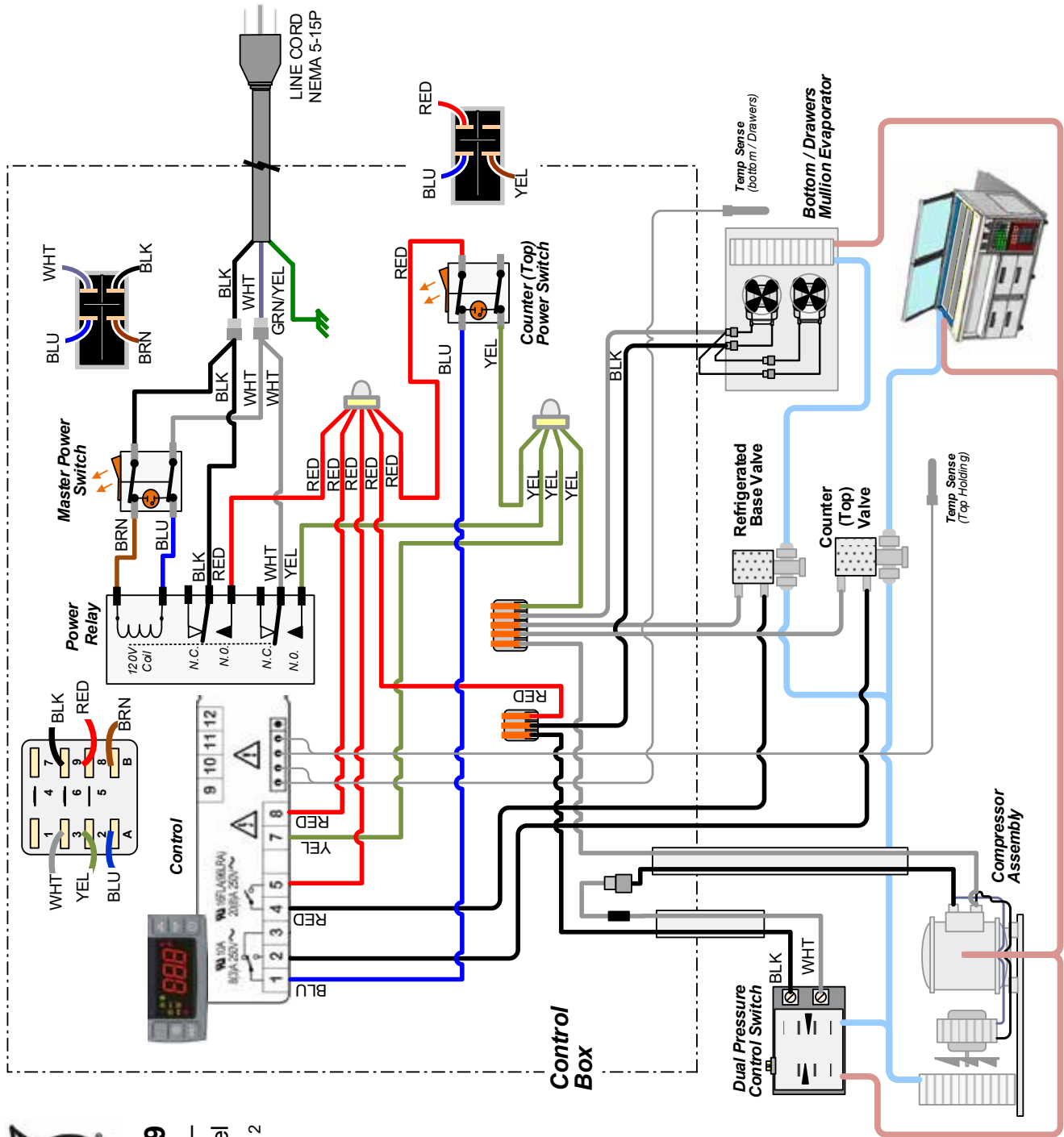
ITEM	PART NO.	DESCRIPTION	QTY.
1	212911	BUSHING,7/8" HEYCO 2850	11
2	217633	PAN, 1/3 6" DP BLACK	A/R
3	1075-2022K	SERVICE ASSEMBLY, SINGLE DRAWER ASSEMBLY	A/R
4	1075-0055	PAN SUPPORT	8
5	1075-0054	PAN SUPPORT	4
6	211602	SLIDE, DRAWER	4
7	223362	SCREW, MS SS PHILLIPS FLAT HD. 8-32 X 1/4" LGTH	32
8	213214	NUT PEM 8-32 PF-H	32
9	526050	GASKET, MAGNETIC DRAWER 7.501" X 17.501"	4

RBD-60CP COLD PAN CONTROL PANEL



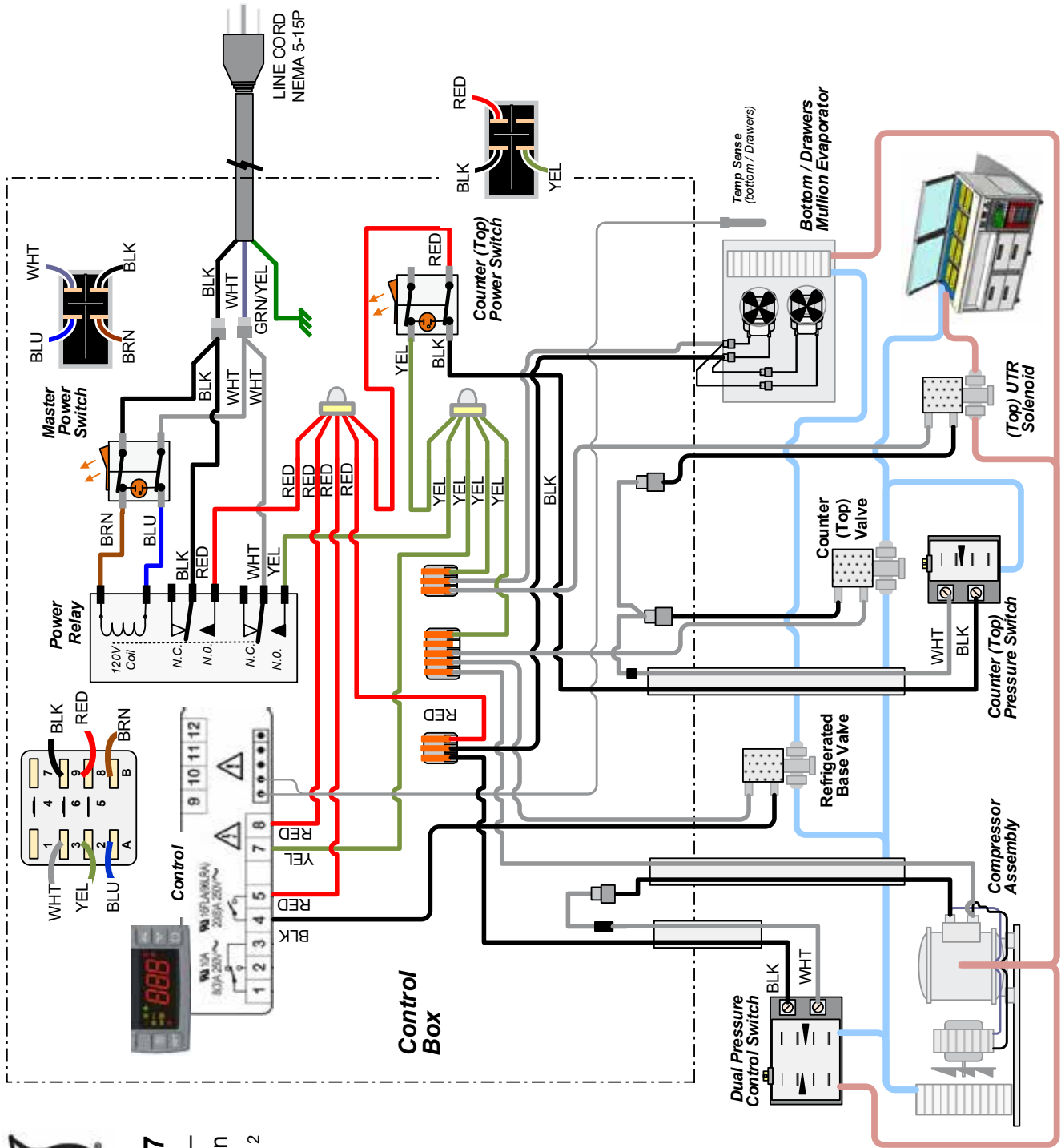
ITEM	PART NO.	DESCRIPTION	QTY.	
			RBD-60CP4D-120	RBD-60CP4-120
1	1075-2020K	SERVICE, ASSEMBLY, CONTROL PANEL RBD-60CP4D-120	1	
	1075-2021K	SERVICE, ASSEMBLY, CONTROL PANEL RBD-60CP4-120		1
2	1075-0177K	SERVICE, CONTROL PANEL, REMOVABLE W/BUSHINGS & PEM STUDS	1	
3	213004	NUT HEX 6-32		2
4	115330	RELAY, DPDT, 40A, 120VAC COIL		1
5	1075-0175K	SERVICE, RELAY BRACKET W/PEM STUDS		1
6	154458	NUT HEX 8-32 HZ-T KEPS		6
7	222101	BUSHING, HEYCO 1280 STRAIN RELIEF		5
8	212002	BUSHING, HEYCO 1237		1
9	529112	LABEL RBD CONTROL		1
10	160406	SWITCH, DPST 20A 125V		1
11	224409-CK	SERVICE, CUSTOM PROGRAMMED CONTROL RBD-CP		1
12	522290	SWITCH, DPST 20A 125V		1
NS	522429	CORD, POWER, 15A 125V W/TERM.		1
NS	ELC0255	HARNESS, EVAP FANS		1
NS	ELC0256	ABRASIVE FLEX TUBING		1
NS	ELC0301	HARN - CNTL BOX, DUPLEX		1
NS	ELC0302	HARN - CNTL BOX TO TOP PRES. SW		1
NS	ELC0303	HARN - CNTL BOX TO COMPRESSOR		1
NS	ELC0304	HARN - CNTL BOX TO DUAL PRES. SW		1
NS	ELC0305	HARN - CNTL BOX TO TOP REFIG. VALVE		2
NS	ELC0306	HARN - CNTL BOX TO BOTTOM REFIG. VALVE		1

WIRING DIAGRAM - DUPLEX TRI-CHANNEL



ELC0249
Wire Diagram -
Duplex TriChannel
6/28/18 Rev. 2

WIRING DIAGRAM – COLD PAN



ELC0307
Wire Diagram –
Duplex Cold Pan
6/28/18 Rev. 2

Notes

Notes



Your Solutions Partner

Duke Manufacturing Company

**2305 N. BROADWAY
ST. LOUIS, MO 63102
PHONE: 314-231-1130
TOLL FREE: 1-800-735-3853
FAX: 314-231-5074
WWW.DUKEMFG.COM**