



Your Solutions Partner

Illustrated Parts List

SUBWAY CLEARVIEW DAY COVERS



DROP DAY COVERS

FIXED DAY COVERS

FIXED SPECIAL MOUNTING DAY COVERS

*This manual is Copyright © 2019 Duke Manufacturing Co. All rights reserved.
Reproduction without written permission is prohibited. Duke is a registered
trademark of the Duke Manufacturing Co.*

Duke Manufacturing Co.

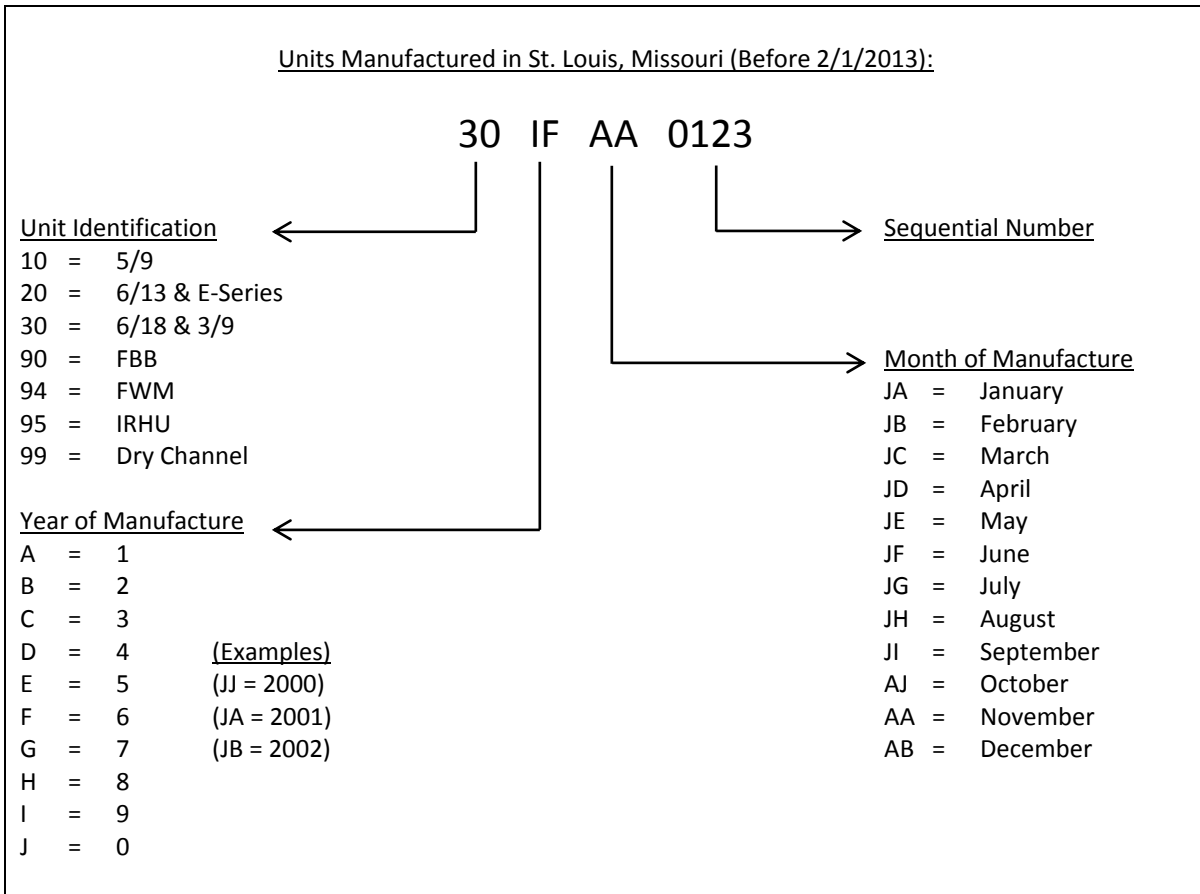
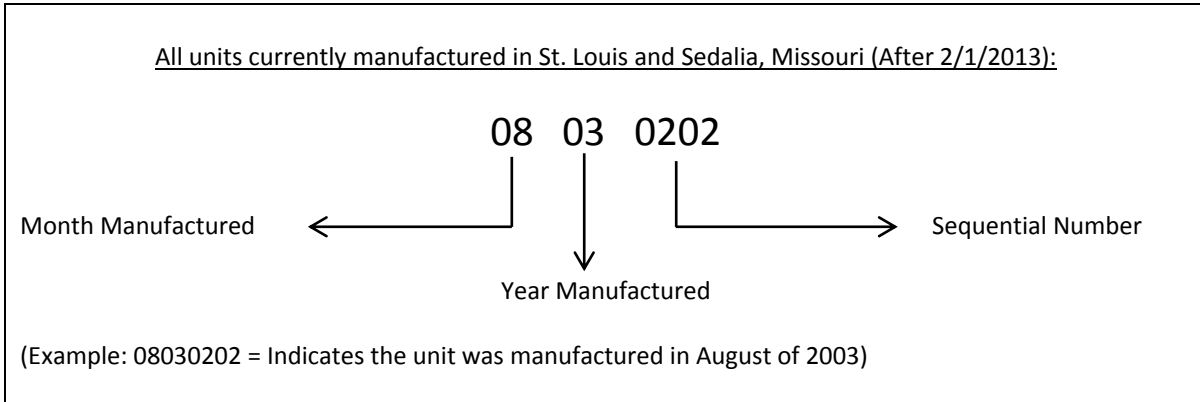
2305 N. Broadway
St. Louis, MO 63102
Phone: 314-231-1130
Toll Free: 1-800-735-3853
Fax: 314-231-5074
www.dukemfg.com



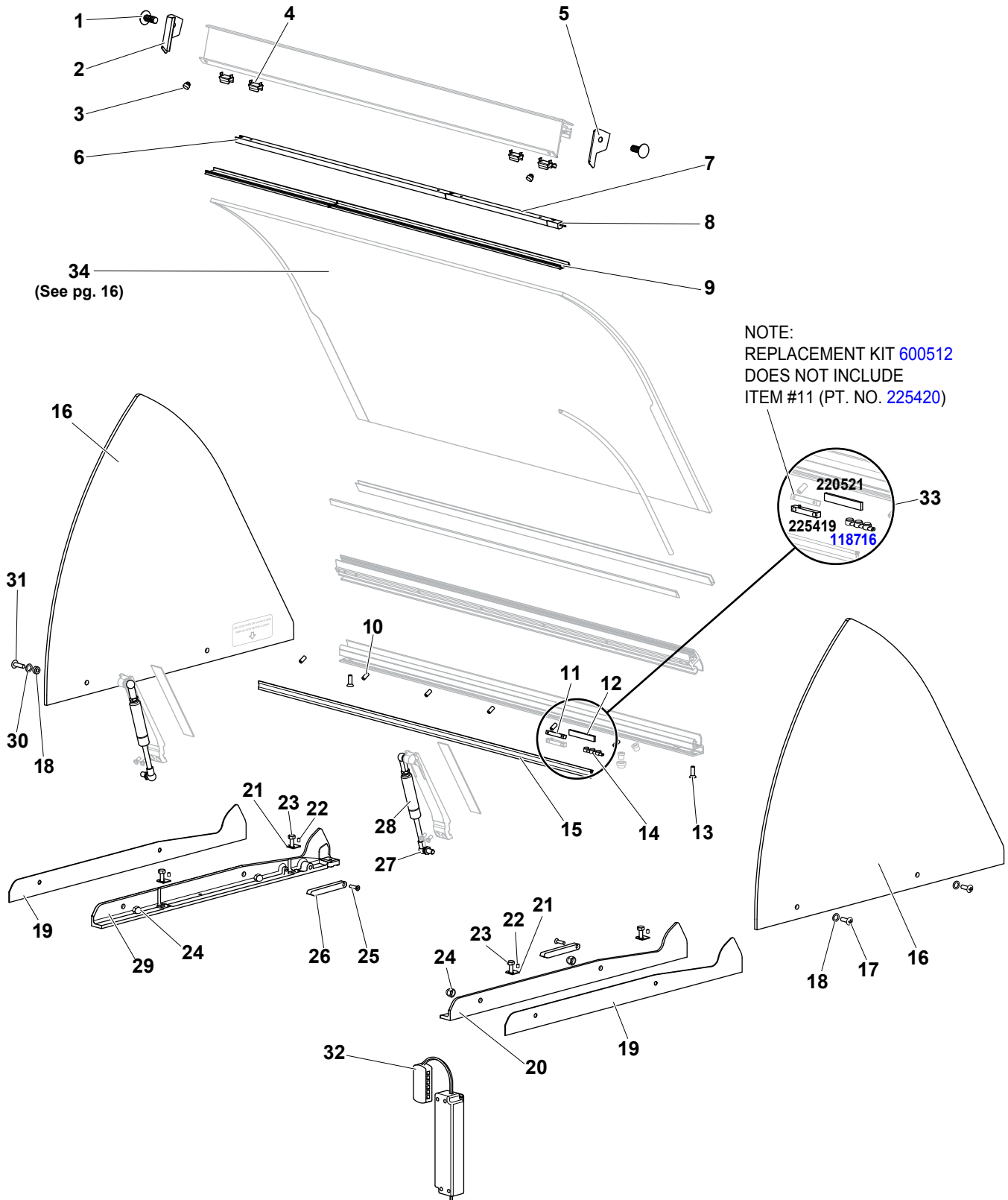
TABLE OF CONTENTS

DROP COVERS – 100-120VAC, 50/60Hz	4-5
DROP COVERS – 220-240VAC, 50/60Hz	6-7
FIXED COVERS – 100-120VAC, 50/60Hz	8-9
FIXED COVERS – 220-240VAC, 50/60Hz	10-11
FIXED COVERS (SPECIAL MOUNTING) – 100-120VAC, 50/60Hz	12-13
FIXED COVERS (SPECIAL MOUNTING) – 220-240VAC, 50/60Hz	14-15
REPLACEMENT GLASS KIT – DROP COVERS.....	16
REPLACEMENT GLASS KIT – FIXED & SPECIAL MOUNT FIXED COVERS	17
WIRING DIAGRAM – CLEARVIEW DAY COVERS – 100-120VAC.....	18
WIRING DIAGRAM – CLEARVIEW DAY COVERS – 220-240VAC.....	19

How to Determine Manufacture Date from Duke Equipment Serial Numbers



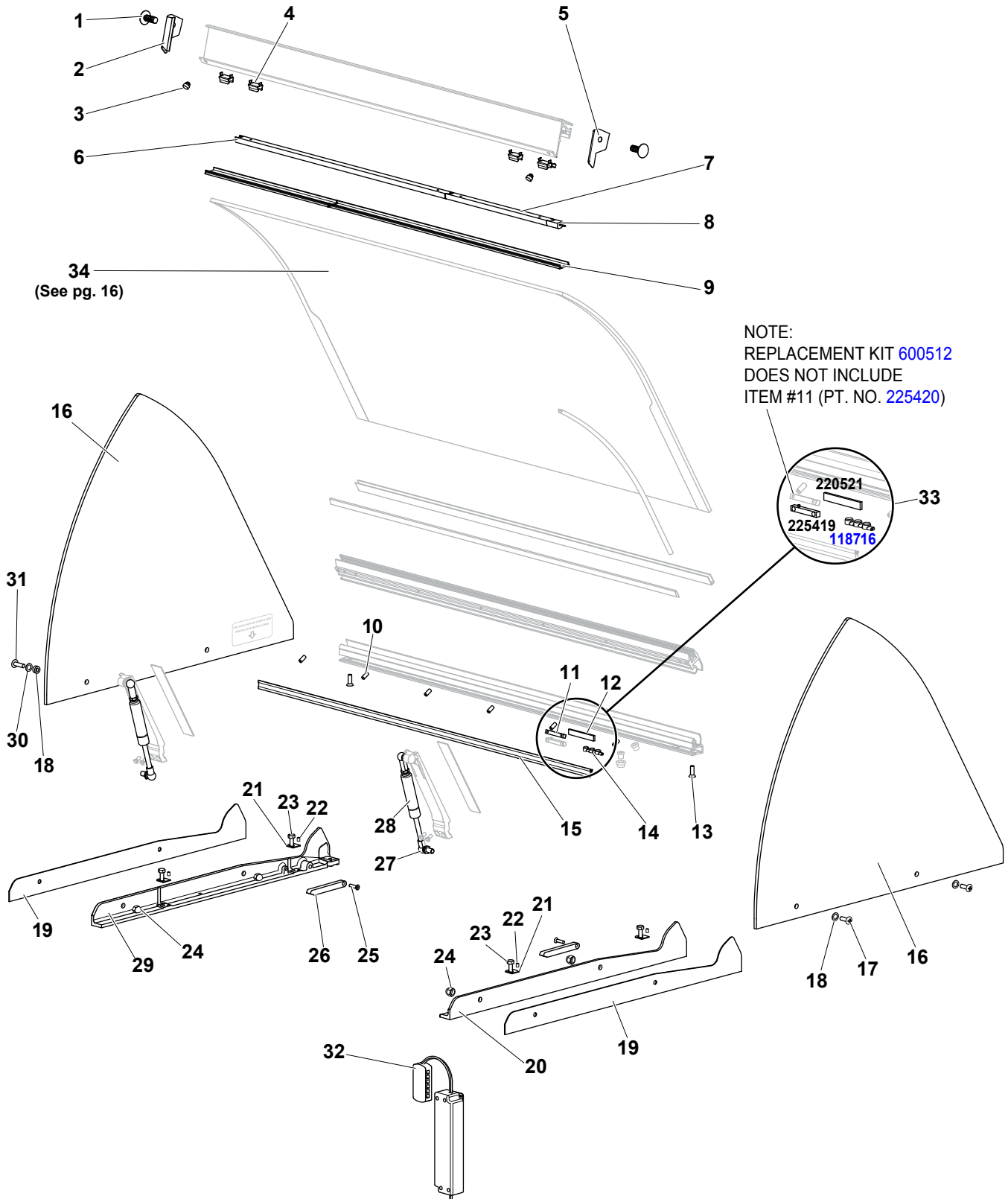
DROP COVERS – 100-120VAC, 50/60Hz



DROP COVERS – 100-120VAC, 50/60Hz

Item	Part No.	Description	100-120VAC, 50/60Hz				
			36"	48"	60"	74"	86"
1	223451	RIVET, NYLON FIR TREE	2	2	2	2	2
2	2500557	CAP, END LT HANDLE, CLEARVIEW DAY COVER	1	1	1	1	1
3	223386	BUMPER, BLACK RUBBER PUSH-IN	2	2	2	2	2
4	525010	CLIP, PVC, LED LIGHTS (<i>Replaced 2500556</i>)	2	4	6	12	6
5	2500558	CAP, END RT HANDLE, CLEARVIEW DAY COVER	1	1	1	1	1
6	224314	LED Stick 34" Fixture 4000k -	1	1	1		2
7	224313	LED Stick 12" Fixture 4000k -		1	2	6	1
8	600513	KIT, LED LIGHTCORD REPLACEMENT	1	1	1	1	1
9	224315	DIFFUSER, SEMI-CLEAR 39" (Cut to length)	1	2	2	2	3
10	223394	SCREW, SET SCREW M6x12 CONE POINT	6	8	10	12	14
11	225420	SWITCH, REED, MAGNETIC ACTUATOR	1	1	1	1	1
12	220521	TAPE, .219"X1-1/2" V2845H	1	1	1	1	1
13	223389	SCREW, 1/4-20 x 3/4" S/S Phillips Flat Head Machine	2	2	2	2	2
14	118716	SPLICE 2-COND 19-26AWG	3	3	3	3	3
15	224387	FILLER, HINGE, BLACK	2.76'	3.76'	4.76'	5.93'	6.93'
16	600514	KIT, END GLASS REPLACEMENT	1	1	1	1	1
17	223109	SCREW, 1/4-20 x 7/8" SS TRUSS HEAD	2	2	2	2	2
18	524100	SPACER, NYLON .5" OD x .252"ID x 3/16" WHITE	4	4	4	4	4
19	225035	GASKET, 1/16" RUBBER, GLASS END	2	2	2	2	2
20	225758	END MOUNT,RT SDGC3 CAST (2500170 machined)	1	1	1	1	1
21	2501061	WASHER, END MOUNT CLEARVIEW DAY COVER	4	4	4	4	4
22	223397	SCREW, SET 10-32 X 1/4" FLAT POINT SOCKET HD	8	8	8	8	8
23	213387	SCREW, 1/4-20 x 3/4 HFM	4	4	4	4	4
24	223390	NUT, CAP, 1/4-20 18.8 S/S	4	4	4	4	4
25	223399	SCREW, 10-32 X 3/4" S/S FHPM	2	2	2	2	2
26	224402	LOCKING DEVICE	2	2	2	2	2
27	223396	BALL END STUD, M8 x 12	4	4	4	4	4
28	224317	GAS RAM, 36" 300N	2				
	224318	GAS RAM, 48" 400N		2			
	224345	GAS RAM, 60" 500N			2		
	224346	GAS RAM, 74" 650N				2	
	224319	GAS RAM, 86" 800N					2
29	225757	END MOUNT,LT SDGC3 CAST (2500169 machined)	1	1	1	1	1
30	223398	WASHER, BLACK, 5/16" X .570 OD	2	2	2	2	2
31	223108	SCREW, 1/4-20 x 3/4" SS TRUSS HEAD	2	2	2	2	2
32	225855	DRIVER,LED,24VDC 30W POWER SUPPLY 120V 60HZ	1	1	1	1	1
33	600512	KIT, SWITCH REPLACEMENT	1	1	1	1	1
34 See pg 16	600507	KIT, REPLACEMENT GLASS 36" DROP	1				
	600508	KIT, REPLACEMENT GLASS 48" DROP		1			
	600509	KIT, REPLACEMENT GLASS 60" DROP			1		
	600510	KIT, REPLACEMENT GLASS 74" DROP				1	
	600511	KIT, REPLACEMENT GLASS 86" DROP					1
Not shown	229652	I/O MANUAL, CLEARVIEW DAY COVER	1	1	1	1	1

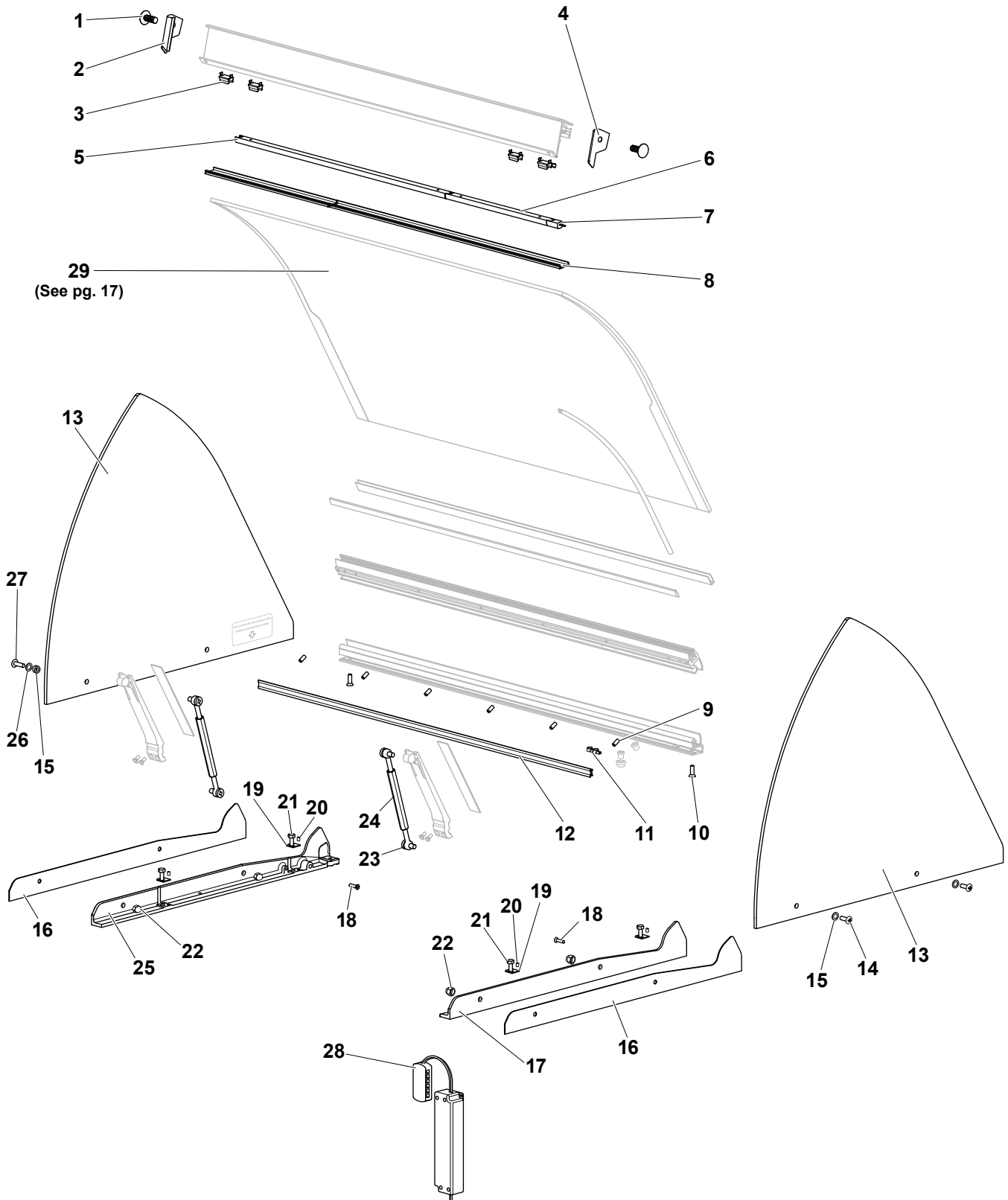
DROP COVERS – 220-240VAC, 50/60Hz



DROP COVERS – 220-240VAC, 50/60Hz

Item	Part No.	Description	220-240VAC, 50/60Hz				
			36"	48"	60"	74"	86"
1	223451	RIVET, NYLON FIR TREE	2	2	2	2	2
2	2500557	CAP, END LT HANDLE, CLEARVIEW DAY COVER	1	1	1	1	1
3	223386	BUMPER, BLACK RUBBER PUSH-IN	2	2	2	2	2
4	525010	CLIP, PVC, LED LIGHTS <i>(Replaced 2500556)</i>	2	4	6	12	6
5	2500558	CAP, END RT HANDLE, CLEARVIEW DAY COVER	1	1	1	1	1
6	224314	LED Stick 34" Fixture 4000k -	1	1	1		2
7	224313	LED Stick 12" Fixture 4000k -		1	2	6	1
8	600513	KIT, LED LIGHTCORD REPLACEMENT	1	1	1	1	1
9	224315	DIFFUSER, SEMI-CLEAR 39" (Cut to length)	1	2	2	2	3
10	223394	SCREW, SET SCREW M6x12 CONE POINT	6	8	10	12	14
11	225420	SWITCH, REED, MAGNETIC ACTUATOR	1	1	1	1	1
12	220521	TAPE, .219"X1-1/2" V2845H	1	1	1	1	1
13	223389	SCREW, 1/4-20 x 3/4" S/S Phillips Flat Head Machine	2	2	2	2	2
14	118716	SPLICE 2-COND 19-26AWG	3	3	3	3	3
15	224387	FILLER, HINGE, BLACK	2.76'	3.76'	4.76'	5.93'	6.93'
16	600514	KIT, END GLASS REPLACEMENT	1	1	1	1	1
17	223109	SCREW, 1/4-20 x 7/8" SS TRUSS HEAD	2	2	2	2	2
18	524100	SPACER, NYLON .5" OD x .252"ID x 3/16" WHITE	4	4	4	4	4
19	225035	GASKET, 1/16" RUBBER, GLASS END	2	2	2	2	2
20	225758	END MOUNT,RT SDGC3 CAST (2500170 machined)	1	1	1	1	1
21	2501061	WASHER, END MOUNT CLEARVIEW DAY COVER	4	4	4	4	4
22	223397	SCREW, SET 10-32 X 1/4" FLAT POINT SOCKET HD	8	8	8	8	8
23	213387	SCREW, 1/4-20 x 3/4 HFM	4	4	4	4	4
24	223390	NUT, CAP, 1/4-20 18.8 S/S	4	4	4	4	4
25	223399	SCREW, 10-32 X 3/4" S/S FHPM	2	2	2	2	2
26	224402	LOCKING DEVICE	2	2	2	2	2
27	223396	BALL END STUD, M8 x 12	4	4	4	4	4
28	224317	GAS RAM, 36" 300N	2				
	224318	GAS RAM, 48" 400N		2			
	224345	GAS RAM, 60" 500N			2		
	224346	GAS RAM, 74" 650N				2	
	224319	GAS RAM, 86" 800N					2
29	225757	END MOUNT,LT SDGC3 CAST (2500169 machined)	1	1	1	1	1
30	223398	WASHER, BLACK, 5/16" X .570 OD	2	2	2	2	2
31	223108	SCREW, 1/4-20 x 3/4" SS TRUSS HEAD	2	2	2	2	2
32	225854	DRIVER,LED,24VDC 30W POWER SUPPLY 220/240V 50/60Hz	1	1	1	1	1
33	600512	KIT, SWITCH REPLACEMENT	1	1	1	1	1
34 See pg 16	600507	KIT, REPLACEMENT GLASS 36" DROP	1				
	600508	KIT, REPLACEMENT GLASS 48" DROP		1			
	600509	KIT, REPLACEMENT GLASS 60" DROP			1		
	600510	KIT, REPLACEMENT GLASS 74" DROP				1	
	600511	KIT, REPLACEMENT GLASS 86" DROP					1
Not shown	229652	I/O MANUAL, CLEARVIEW DAY COVER	1	1	1	1	1

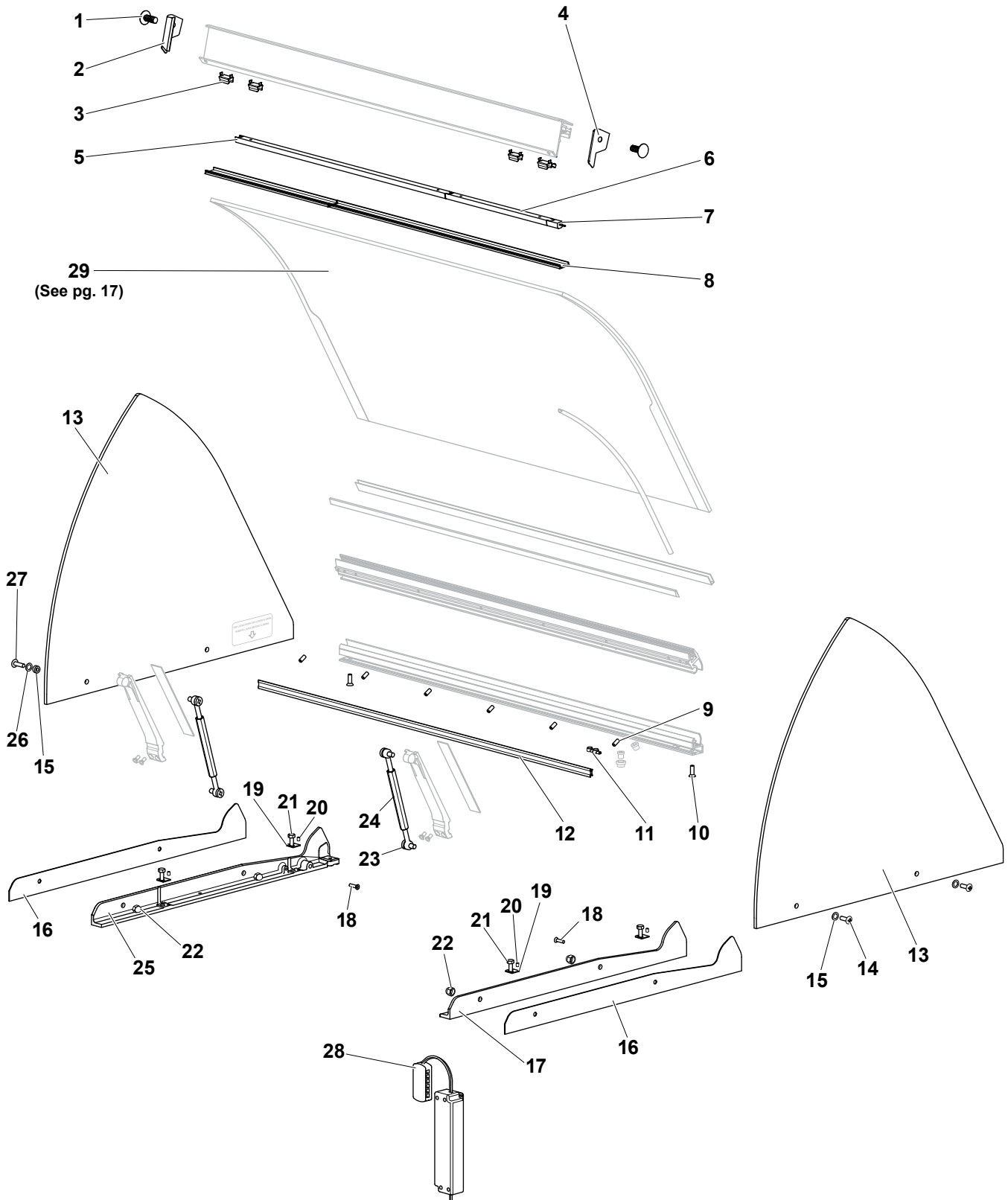
FIXED COVERS – 100-120VAC, 50/60Hz



FIXED COVERS – 100-120VAC, 50/60Hz

Item	Part No.	Description	100-120VAC, 50/60Hz								
			16.5"	18"	19"	21"	24"	25"	31"	37"	49"
1	223451	RIVET, NYLON FIR TREE	2	2	2	2	2	2	2	2	2
2	2500557	CAP, END LT HANDLE	1	1	1	1	1	1	1	1	1
3	525010	CLIP, PVC, LED LIGHTS <i>(Replaced 2500556)</i>	2	4	4	4	4	4	4	2	4
4	2500558	CAP, END RT HANDLE	1	1	1	1	1	1	1	1	1
5	224314	LED Stick 34" Fixture 4000k								1	1
6	224360	LED Stick 8" Fixture 4000k		2	2	2	1	1			
	224313	LED Stick 12" Fixture 4000k	1				1	1	2		1
7	600513	KIT, LED LIGHTCORD REPLACEMENT	1	1	1	1	1	1	1	1	1
8	224315	DIFFUSER, SEMI-CLEAR 39" (Cut to length)	1	1	1	1	1	1	1	1	2
9	223394	SCREW, SET SCREW M6x12 CONE POINT	3	3	3	3	3	4	4	6	8
10	223389	SCREW, 1/4-20 x 3/4" S/S PFHM	2	2	2	2	2	2	2	2	2
11	118716	SPLICE 2-COND 19-26AWG	2	2	2	2	2	2	2	2	2
12	224387	FILLER, PLASTIC STRIP	1.13'	1.26'	1.34'	1.34'	1.84'	1.84'	2.34'	2.84'	3.84'
13	600514	KIT, END GLASS REPLACEMENT	1	1	1	1	1	1	1	1	1
14	223109	SCREW, 1/4-20 x 7/8" SS TRUSS HEAD	2	2	2	2	2	2	2	2	2
15	524100	SPACER, NYLON	4	4	4	4	4	4	4	4	4
16	225035	GASKET, 1/16" RUBBER ,GLASS END	2	2	2	2	2	2	2	2	2
17	225758	END MOUNT,RT SDGC3	1	1	1	1	1	1	1	1	1
18	214286	PLUG, HOLE .160 DIA	2	2	2	2	2	2	2	2	2
19	2501061	WASHER, END MOUNT	4	4	4	4	4	4	4	4	4
20	223397	SCREW, SET 10-32 X 1/4"	8	8	8	4	8	8	8	8	8
21	213387	SCREW, 1/4-20 x 3/4 HFM	4	4	4	4	4	4	4	4	4
22	223390	NUT, CAP, 1/4-20 18.8 S/S	4	4	4	4	4	4	4	4	4
23	223418	SCREW, M8 x 20 PAN HEAD PHILLIPS	4	4	4	4	4	4	4	4	4
24	2500555	ASSEMBLY, CONNECTING ROD	2	2	2	2	2	2	2	2	2
25	225757	END MOUNT,LT SDGC3	1	1	1	1	1	1	1	1	1
26	223398	WASHER, BLACK, 5/16" X .570 OD	2	2	2	2	2	2	2	2	2
27	223108	SCREW, 1/4-20 x 3/4" SS TRUSS HEAD	2	2	2	2	2	2	2	2	2
28	225855	DRIVER, LED, 24VDC 30W, 100/120V 50/60Hz	1	1	1	1	1	1	1	1	1
See pg 17	600500	KIT, REPLACEMENT GLASS 16.5" FIXED	1								
	600501	KIT, REPLACEMENT GLASS 18" FIXED		1							
	600502	KIT, REPLACEMENT GLASS 19" FIXED			1						
	600526	KIT, REPLACEMENT GLASS 21" FIXED				1					
	600527	KIT, REPLACEMENT GLASS 24" FIXED					1				
	600503	KIT, REPLACEMENT GLASS 25" FIXED						1			
	600504	KIT, REPLACEMENT GLASS 31" FIXED							1		
	600505	KIT, REPLACEMENT GLASS 37" FIXED								1	
600506	KIT, REPLACEMENT GLASS 49" FIXED									1	
Not shown	229652	I/O MANUAL, CLEARVIEW DAY COVER	1	1	1	1	1	1	1	1	1

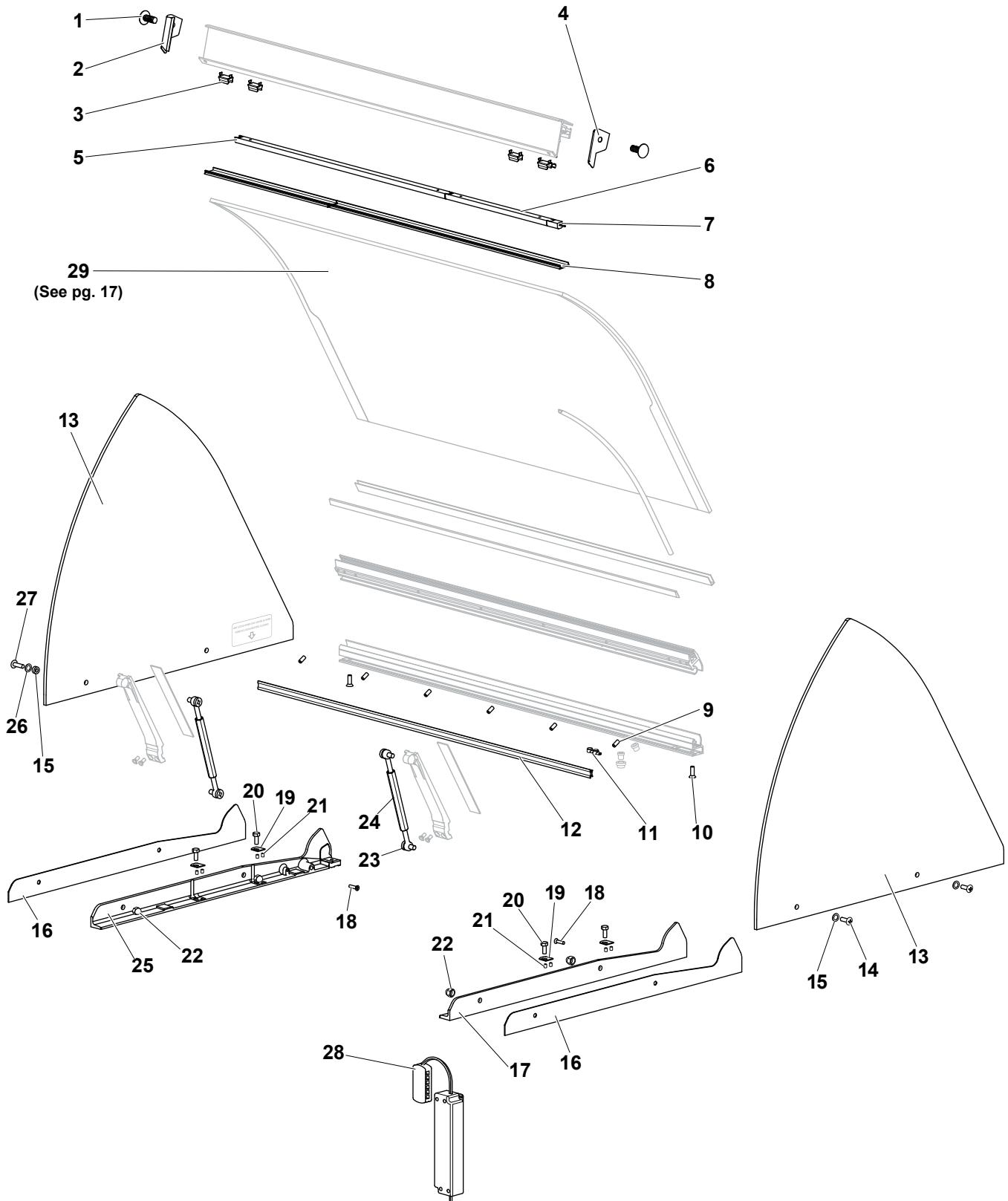
FIXED COVERS – 220-240VAC, 50/60Hz



FIXED COVERS – 220-240VAC, 50/60Hz

Item	Part No.	Description	220-240VAC, 50/60Hz								
			16.5"	18"	19"	21"	24"	25"	31"	37"	49"
1	223451	RIVET, NYLON FIR TREE	2	2	2	2	2	2	2	2	2
2	2500557	CAP, END LT HANDLE	1	1	1	1	1	1	1	1	1
3	525010	CLIP, PVC, LED LIGHTS <i>(Replaced 2500556)</i>	2	4	4	4	4	4	4	2	4
4	2500558	CAP, END RT HANDLE	1	1	1	1	1	1	1	1	1
5	224314	LED Stick 34" Fixture 4000k -								1	1
6	224360	LED Stick 8" Fixture 4000k -		2	2	2	1	1			
	224313	LED Stick 12" Fixture 4000k -	1				1	1	2		1
7	600513	KIT, LED LIGHTCORD REPLACEMENT	1	1	1	1	1	1	1	1	1
8	224315	DIFFUSER, SEMI-CLEAR 39" (Cut to length)	1	1	1	1	1	1	1	1	2
9	223394	SCREW, SET SCREW M6x12 CONE POINT	3	3	3	3	3	4	4	6	8
10	223389	SCREW, 1/4-20 x 3/4" S/S PFHM	2	2	2	2	2	2	2	2	2
11	118716	SPLICE 2-COND 19-26AWG	2	2	2	2	2	2	2	2	2
12	224387	FILLER, PLASTIC STRIP	1.13'	1.26'	1.34'	1.34'	1.84'	1.84'	2.34'	2.84'	3.84'
13	600514	KIT, END GLASS REPLACEMENT	1	1	1	1	1	1	1	1	1
14	223109	SCREW, 1/4-20 x 7/8" SS TRUSS HEAD	2	2	2	2	2	2	2	2	2
15	524100	SPACER, NYLON	4	4	4	4	4	4	4	4	4
16	225035	GASKET, 1/16" RUBBER ,GLASS END	2	2	2	2	2	2	2	2	2
17	225758	END MOUNT,RT SDGC3	1	1	1	1	1	1	1	1	1
18	214286	PLUG, HOLE .160 DIA	2	2	2	2	2	2	2	2	2
19	2501061	WASHER, END MOUNT	4	4	4	4	4	4	4	4	4
20	223397	SCREW, SET 10-32 X 1/4"	8	8	8	8	8	8	8	8	8
21	213387	SCREW, 1/4-20 x 3/4 HFM	4	4	4	4	4	4	4	4	4
22	223390	NUT, CAP, 1/4-20 18.8 S/S	4	4	4	4	4	4	4	4	4
23	223418	SCREW, M8 x 20 PAN HEAD PHILLIPS	4	4	4	4	4	4	4	4	4
24	2500555	ASSEMBLY, CONNECTING ROD	2	2	2	2	2	2	2	2	2
25	225757	END MOUNT,LT SDGC3	1	1	1	1	1	1	1	1	1
26	223398	WASHER, BLACK, 5/16" X .570 OD	2	2	2	2	2	2	2	2	2
27	223108	SCREW, 1/4-20 x 3/4" SS TRUSS HEAD	2	2	2	2	2	2	2	2	2
28	225854	DRIVER, LED, 24VDC 30W, 220/240V 50/60Hz	1	1	1	1	1	1	1	1	1
See pg 17	600500	KIT, REPLACEMENT GLASS 16.5" FIXED	1								
	600501	KIT, REPLACEMENT GLASS 18" FIXED		1							
	600502	KIT, REPLACEMENT GLASS 19" FIXED			1						
	600526	KIT, REPLACEMENT GLASS 21" FIXED				1					
	600527	KIT, REPLACEMENT GLASS 24" FIXED					1				
	600503	KIT, REPLACEMENT GLASS 25" FIXED						1			
	600504	KIT, REPLACEMENT GLASS 31" FIXED							1		
	600505	KIT, REPLACEMENT GLASS 37" FIXED								1	
600506	KIT, REPLACEMENT GLASS 49" FIXED									1	
Not shown	229652	I/O MANUAL, CLEARVIEW DAY COVER	1	1	1	1	1	1	1	1	1

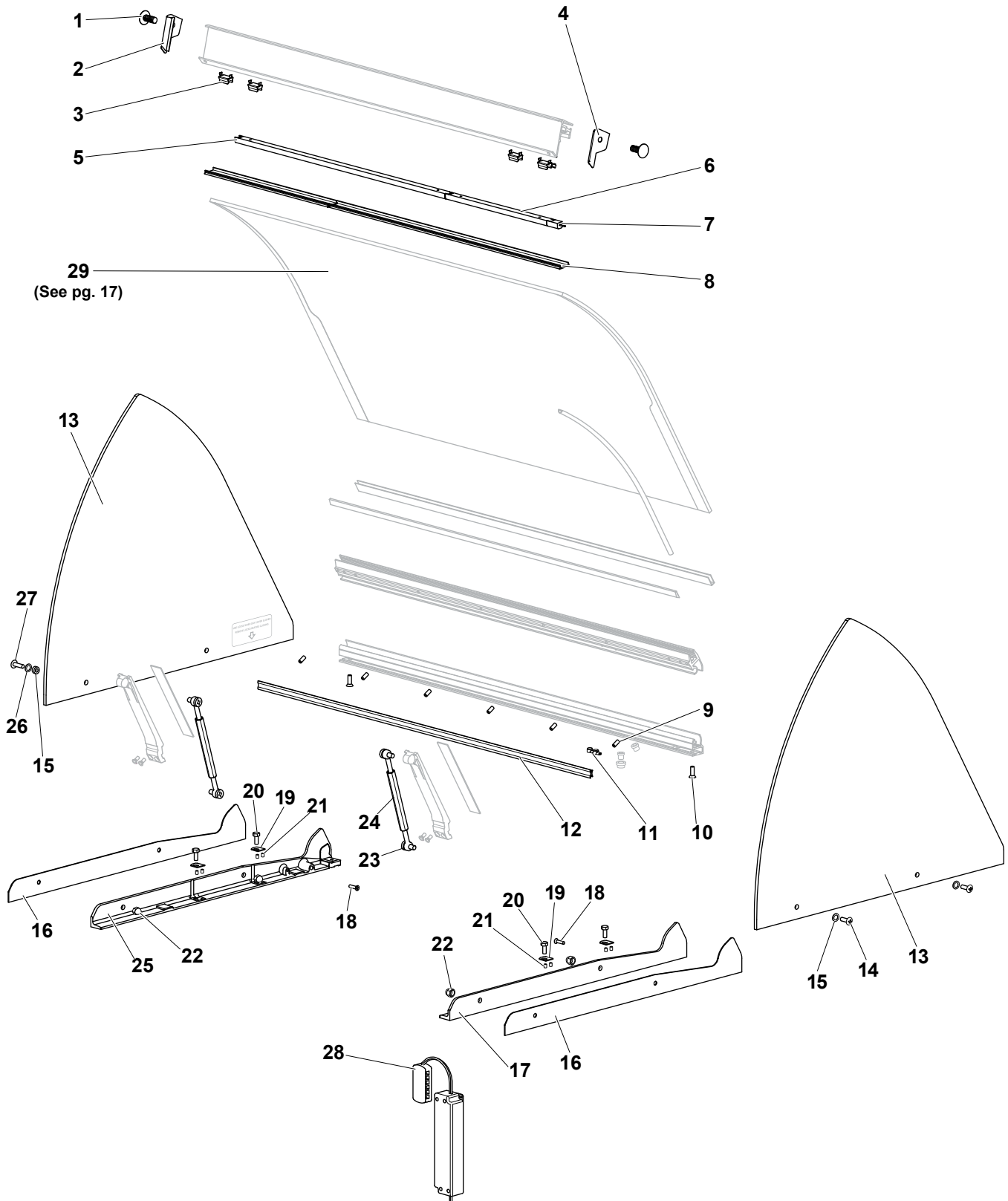
FIXED COVERS (SPECIAL MOUNTING) – 100-120VAC, 50/60Hz



FIXED COVERS (SPECIAL MOUNTING) – 100-120VAC, 50/60Hz

Item	Part No.	Description	100-120VAC, 50/60Hz					
			16.5"	18"	19"	25"	37"	49"
1	223451	RIVET, NYLON FIR TREE	2	2	2	2	2	2
2	2500557	CAP, END LT HANDLE, CLEARVIEW DAY COVER	1	1	1	1	1	1
3	525010	CLIP, PVC, LED LIGHTS <i>(Replaced 2500556)</i>	2	4	4	4	4	4
4	2500558	CAP, END RT HANDLE, CLEARVIEW DAY COVER	1	1	1	1	1	1
5	224314	LED Stick 34" Fixture 4000k -					1	1
6	224360	LED Stick 8" Fixture 4000k -		2	2	1		
	224313	LED Stick 12" Fixture 4000k -	1			1		1
7	600513	KIT, LED LIGHTCORD REPLACEMENT	1	1	1	1	1	1
8	224315	DIFFUSER, SEMI-CLEAR 39" (Cut to length)	1	1	1	1	1	2
9	223394	SCREW, SET SCREW M6x12 CONE POINT	3	3	3	4	6	8
10	223389	SCREW, 1/4-20 x 3/4" S/S Phillips Flat Head Machine	2	2	2	2	2	2
11	118716	SPLICE 2-COND 19-26AWG	2	2	2	2	2	2
12	224387	FILLER, PLASTIC STRIP	1.13'	1.26'	1.34'	1.84'	2.84'	3.84'
13	600514	KIT, END GLASS REPLACEMENT	1	1	1	1	1	1
14	223109	SCREW, 1/4-20 x 7/8" SS TRUSS HEAD	2	2	2	2	2	2
15	524100	SPACER, NYLON .5" OD x .252"ID x 3/16" WHITE	4	4	4	4	4	4
16	225035	GASKET, 1/16" RUBBER ,GLASS END	2	2	2	2	2	2
17	225756	END MOUNT,RT HFC CLEARVIEW CAST	1	1	1	1	1	1
18	214286	PLUG, HOLE .160 DIA	2	2	2	2	2	2
19	2501061	WASHER, END MOUNT CLEARVIEW DAY COVER	4	4	4	4	4	4
20	223424	SCREW, 10-24x1/2" SS HEX HD. MACHINE SCREW	4	4	4	4	4	4
21	223425	SCREW, 10-32x3/16" SETSCREW FLT POINT SS	8	8	8	8	8	8
22	223390	NUT, CAP, 1/4-20 18.8 S/S	4	4	4	4	4	4
23	223418	SCREW, M8 x 20 PAN HEAD PHILLIPS MACHINE SCREW	4	4	4	4	4	4
24	2500555	ASSEMBLY, CONNECTING ROD	2	2	2	2	2	2
25	225759	END MOUNT,LT HFC CLEARVIEW CAST	1	1	1	1	1	1
26	223398	WASHER, BLACK, 5/16" X .570 OD	4	4	4	4	4	4
27	223108	SCREW, 1/4-20 x 3/4" SS TRUSS HEAD	2	2	2	2	2	2
28	225855	DRIVER,LED,24VDC 30W PWR SUPPLY 100/120V 50/60Hz	1	1	1	1	1	1
29 See pg 17	600500	KIT, REPLACEMENT GLASS 16.5" FIXED	1					
	600501	KIT, REPLACEMENT GLASS 18" FIXED		1				
	600502	KIT, REPLACEMENT GLASS 19" FIXED			1			
	600503	KIT, REPLACEMENT GLASS 25" FIXED				1		
	600505	KIT, REPLACEMENT GLASS 37" FIXED					1	
	600506	KIT, REPLACEMENT GLASS 49" FIXED						1
Not shown	229652	I/O MANUAL, CLEARVIEW DAY COVER	1	1	1	1	1	1

FIXED COVERS (SPECIAL MOUNTING) – 220-240VAC, 50/60Hz

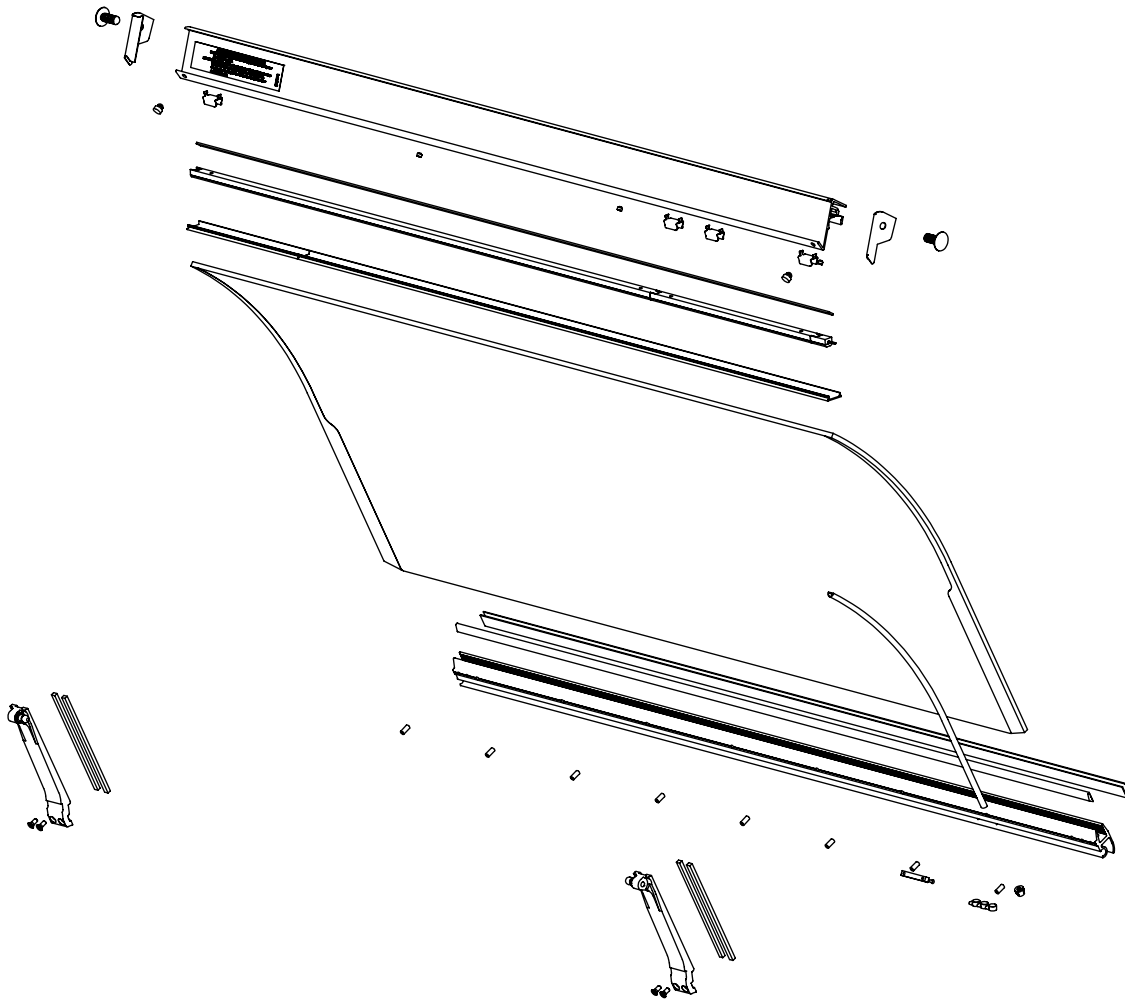


FIXED COVERS (SPECIAL MOUNTING) – 220-240VAC, 50/60Hz

Item	Part No.	Description	220-240VAC, 50/60Hz					
			16.5"	18"	19"	25"	37"	49"
1	223451	RIVET, NYLON FIR TREE	2	2	2	2	2	2
2	2500557	CAP, END LT HANDLE, CLEARVIEW DAY COVER	1	1	1	1	1	1
3	525010	CLIP, PVC, LED LIGHTS <i>(Replaced 2500556)</i>	2	4	4	4	4	4
4	2500558	CAP, END RT HANDLE, CLEARVIEW DAY COVER	1	1	1	1	1	1
5	224314	LED Stick 34" Fixture 4000k -					1	1
6	224360	LED Stick 8" Fixture 4000k -		2	2	1		
	224313	LED Stick 12" Fixture 4000k -	1			1		1
7	600513	KIT, LED LIGHTCORD REPLACEMENT	1	1	1	1	1	1
8	224315	DIFFUSER, SEMI-CLEAR 39" (Cut to length)	1	1	1	1	1	2
9	223394	SCREW, SET SCREW M6x12 CONE POINT	3	3	3	4	6	8
10	223389	SCREW, 1/4-20 x 3/4" S/S Phillips Flat Head Machine	2	2	2	2	2	2
11	118716	SPLICE 2-COND 19-26AWG	2	2	2	2	2	2
12	224387	FILLER, PLASTIC STRIP	1.13'	1.26'	1.34'	1.84'	2.84'	3.84'
13	600514	KIT, END GLASS REPLACEMENT	1	1	1	1	1	1
14	223109	SCREW, 1/4-20 x 7/8" SS TRUSS HEAD	2	2	2	2	2	2
15	524100	SPACER, NYLON .5" OD x .252"ID x 3/16" WHITE	4	4	4	4	4	4
16	225035	GASKET, 1/16" RUBBER ,GLASS END	2	2	2	2	2	2
17	225756	END MOUNT,RT HFC CLEARVIEW CAST	1	1	1	1	1	1
18	214286	PLUG, HOLE .160 DIA	2	2	2	2	2	2
19	2501061	WASHER, END MOUNT CLEARVIEW DAY COVER	4	4	4	4	4	4
20	223424	SCREW, 10-24x1/2" SS HEX HD. MACHINE SCREW	4	4	4	4	4	4
21	223425	SCREW, 10-32x3/16" SETSCREW FLT POINT SS	8	8	8	8	8	8
22	223390	NUT, CAP, 1/4-20 18.8 S/S	4	4	4	4	4	4
23	223418	SCREW, M8 x 20 PAN HEAD PHILLIPS MACHINE SCREW	4	4	4	4	4	4
24	2500555	ASSEMBLY, CONNECTING ROD	2	2	2	2	2	2
25	225759	END MOUNT,LT HFC CLEARVIEW CAST	1	1	1	1	1	1
26	223398	WASHER, BLACK, 5/16" X .570 OD	4	4	4	4	4	4
27	223108	SCREW, 1/4-20 x 3/4" SS TRUSS HEAD	2	2	2	2	2	2
28	225854	DRIVER,LED,24VDC 30W PWR SUPPLY 220/240V 50/60Hz	1	1	1	1	1	1
29 See pg 17	600500	KIT, REPLACEMENT GLASS 16.5" FIXED	1					
	600501	KIT, REPLACEMENT GLASS 18" FIXED		1				
	600502	KIT, REPLACEMENT GLASS 19" FIXED			1			
	600503	KIT, REPLACEMENT GLASS 25" FIXED				1		
	600505	KIT, REPLACEMENT GLASS 37" FIXED					1	
	600506	KIT, REPLACEMENT GLASS 49" FIXED						1
Not shown	229652	I/O MANUAL, CLEARVIEW DAY COVER	1	1	1	1	1	1

REPLACEMENT GLASS KIT – DROP COVERS

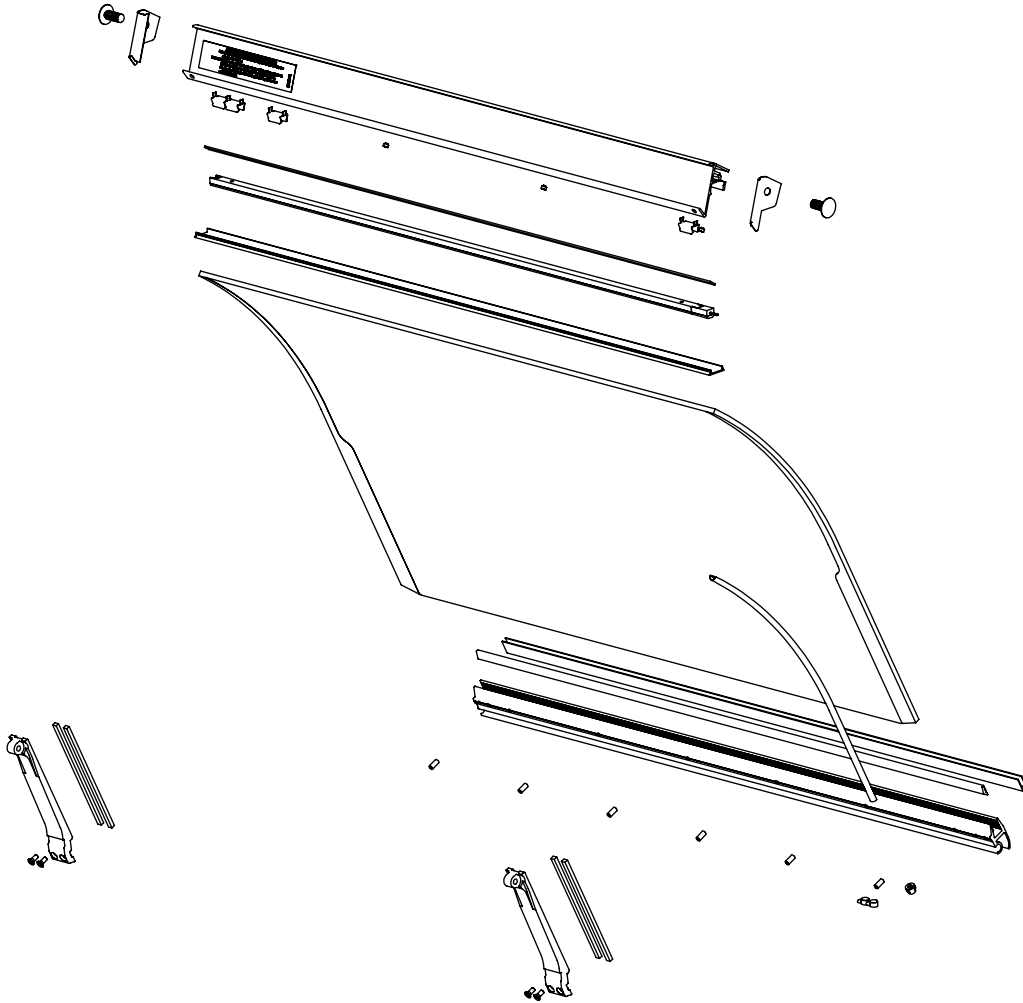
(48" MODEL KIT SHOWN. KIT COMPONENTS SHOWN EXPLODED FOR CLARITY.)



600507	KIT, REPLACEMENT GLASS 36" DROP
600508	KIT, REPLACEMENT GLASS 48" DROP
600509	KIT, REPLACEMENT GLASS 60" DROP
600510	KIT, REPLACEMENT GLASS 74" DROP
600511	KIT, REPLACEMENT GLASS 86" DROP

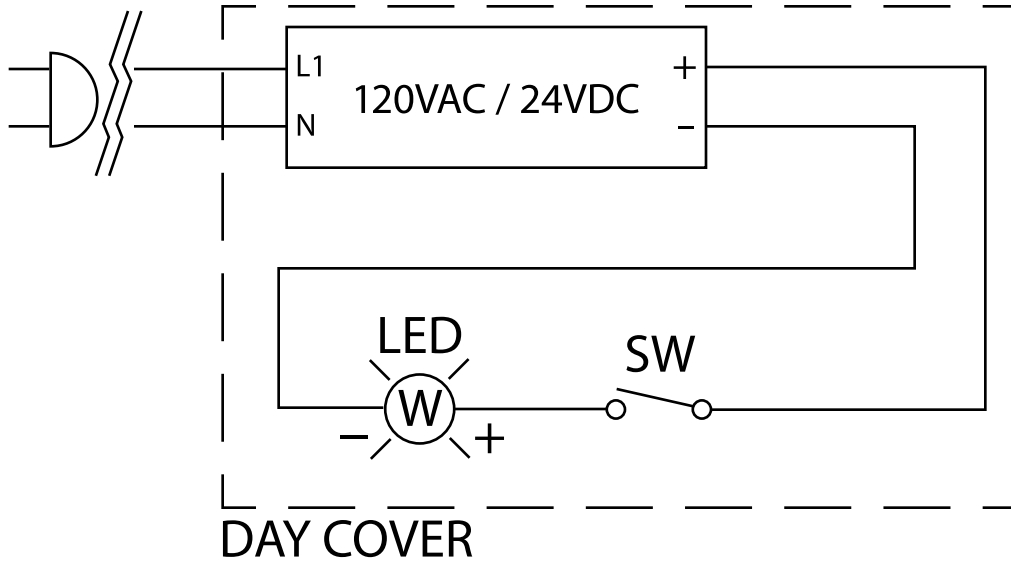
REPLACEMENT GLASS KIT – FIXED & SPECIAL MOUNT FIXED COVERS

(37" MODEL KIT SHOWN. KIT COMPONENTS SHOWN EXPLODED FOR CLARITY.)

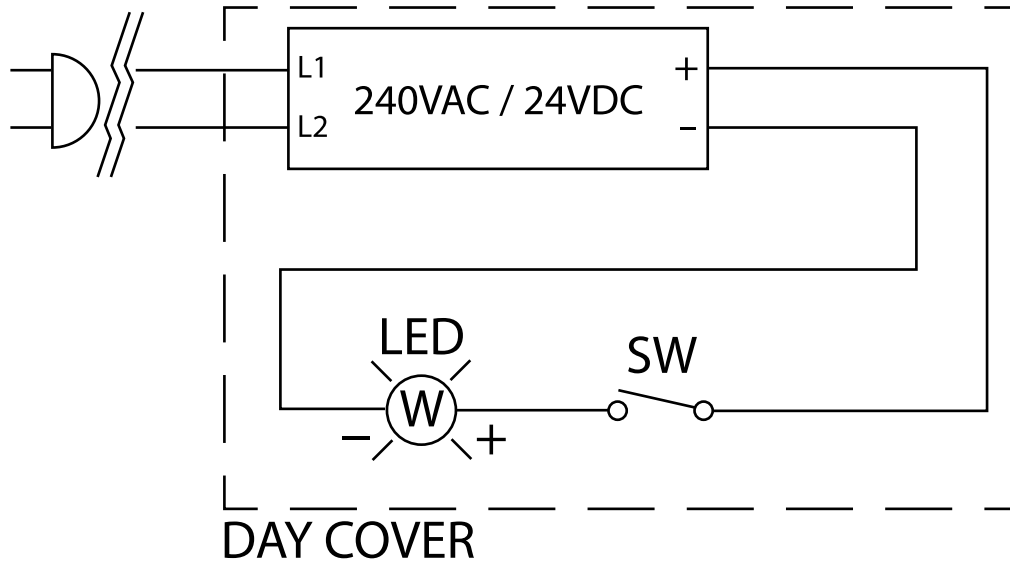


600500	KIT, REPLACEMENT GLASS 16.5" FIXED
600501	KIT, REPLACEMENT GLASS 18" FIXED
600502	KIT, REPLACEMENT GLASS 19" FIXED
600526	KIT, REPLACEMENT GLASS 21" FIXED
600527	KIT, REPLACEMENT GLASS 24" FIXED
600503	KIT, REPLACEMENT GLASS 25" FIXED
600504	KIT, REPLACEMENT GLASS 31" FIXED
600505	KIT, REPLACEMENT GLASS 37" FIXED
600506	KIT, REPLACEMENT GLASS 49" FIXED

WIRING DIAGRAM – CLEARVIEW DAY COVERS – 100-120VAC



WIRING DIAGRAM – CLEARVIEW DAY COVERS – 220-240VAC





Your Solutions Partner

Duke Manufacturing Company

**2305 N. Broadway
St. Louis, MO 63102
Phone: 314-231-1130
Toll Free: 1-800-735-3853
Fax: 314-231-5074
www.dukemfg.com**