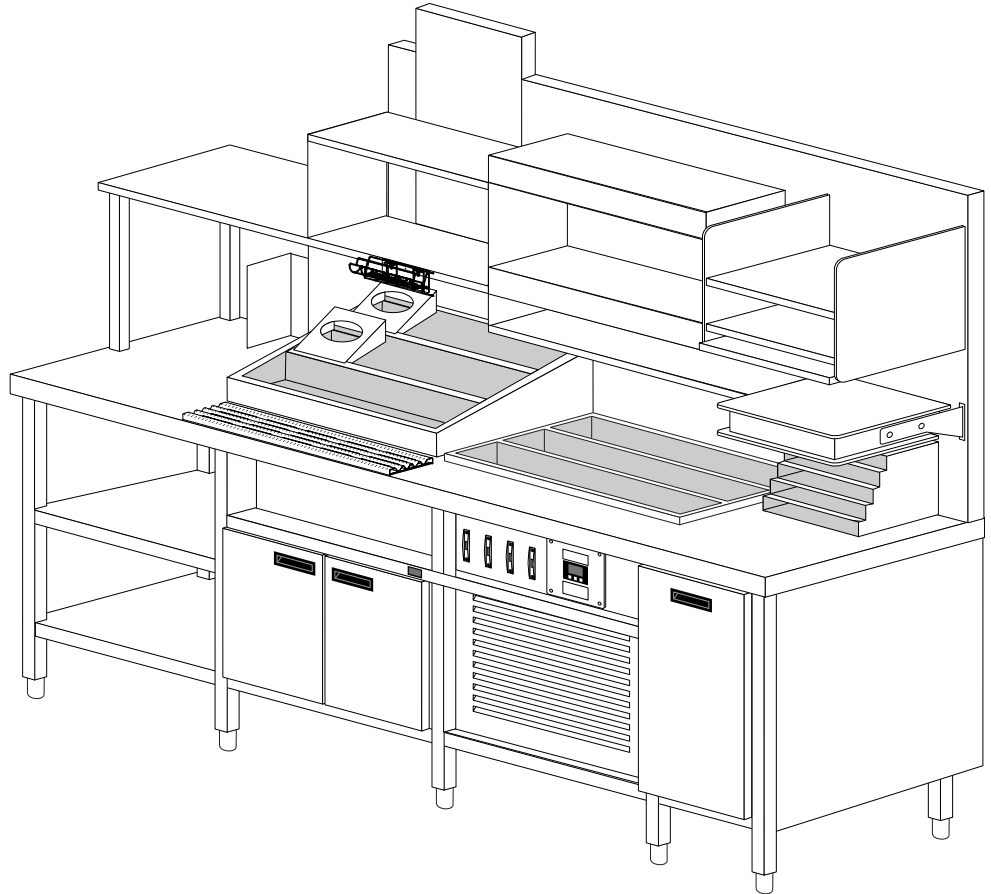




"Your Solutions Partner"

Illustrated Parts List

TACO BELL I-LINE COUNTER



*This manual is Copyright © 2010 Duke Manufacturing Co. All rights reserved.
Reproduction without written permission is prohibited. Duke is a registered
trademark of the Duke Manufacturing Co.*

Duke Manufacturing Co.

2305 N. Broadway • St. Louis, MO 63102

800.735.3853 • 314.231.1130

Fax: 314-231-5074

www.dukemfg.com

TABLE OF CONTENTS

DETERMINING THE MANUFACTURING DATE FROM A PIECE OF EQUIPMENT’S SERIAL NUMBER	3
TRI-CHANNEL COLD PAN PARTS LIST	4
Table: PL-1 Tri-Channel Cold Pan	4
Figure: PL-1 Tri-Channel Cold Pan.....	5
REFRIGERATED BASE UNIT PARTS LIST	6
Table: PL-2 Refrigerated Base Unit	6
Figure: PL-2 Refrigerated Base Unit.....	7
DRY CHANNEL WARMER PARTS LIST.....	8
Table: PL-3 Dry Channel Warmer	8
Figure: PL-3 Dry Channel Warmer	9
DRY CHANNEL RELAY BOX ASSEMBLY	10
Table: PL-4 Dry Relay Box Assembly	10
Figure: PL-4 Dry Relay Box Assembly.....	11
DRY CHANNEL RELAY BOX ASSEMBLY REV 5.1.....	12
Table: PL-5 Dry Relay Box Assembly Rev 5.1	12
Figure: PL-5 Dry Relay Box Assembly Rev 5.1	13
DRY CHANNEL CONTROL BOARD.....	14
Figure PL-6 Dry Channel Control Board.....	14
Figure PL-7 Dry Channel Control Board – Version 4.....	14
I-LINE EXTENSION TABLE	15
Table: PL-8 I-Line Extension Table	15
Figure: PL-8 I-Line Extension Table.....	15

DETERMINING THE MANUFACTURING DATE FROM A PIECE OF EQUIPMENT'S SERIAL NUMBER

Units Manufactured in St. Louis

Serial Number Example: 30JDJF0001

30	JD	JF	0001
Specifies the type of unit	Specifies the year manufactured - see code below.	Specifies the month manufactured - see code below.	Sequential digits

Code Interpretation for units manufactured in St. Louis.

A = 1 B = 2 C = 3 D = 4 E = 5 F = 6 G = 7 H = 8 I = 9 J = 0

The serial number 30JDJF0001 indicates that the unit was built in 2004 (JD = 04) in the month of June (JF = 06).

Units Manufactured in Sedalia

Serial Number Example: 01040019

01	04	0019
Specifies the month manufactured	Specifies the year manufactured	Sequential digits

The serial number 01040019 indicates that the unit was built in January of 2004.

TRI-CHANNEL COLD PAN PARTS LIST

ITEM #	QTY.	PART NUMBER	DESCRIPTION
1	1	216879	Condensing Unit, TXV, 1/3 HP 120VAC, 60Hz
2	1	212792	Switch, Toggle, Red, 30 amp
2a	1	553063	Griddle Switch, GTO Retrofit
3	1	212450	Tri-Channel Control, Temperature
	1	216837	Thermostat, Elreha Digital Display
4	1	550392	Door, Load Center
5	1	217811	Motor, Electric Fan, 120VAC
6	1	217810	Fan Bracket
7	1	217812	Fan Blade
8	1	216990	APW Tortilla Griddle
9	1	216991	Griddle Bracket
10	1	216983	Pronto Bottle Holder #C1032
11	1	550816	Taco Rail Assembly
Not shown	1	212288	Switch, Tri-Channel Main Power
Not shown	1	216386	Valve, Auto Exp. I-Line TB (Not Shown)
Not shown	1	214947	Filter, 9.375" X 9.875" (Not Shown)
Not shown	1	216414	Dryer
Not shown	1	216864	TXV Valve, 54PSI, Adjustable
Not shown	1	550389	Lift-Off Louvered Panel
Not shown	A/R	214728	Position Stud, Carving Board, SS
Not shown	1	212792	Switch, Toggle, 30A, Red
Not shown	1	553064	Panel, Grill Switch
Not shown	1	550902	Guard, Toggle Switch
Not shown	1	214947	Filter, 9.375" x 9.875" x .3125"

Table: PL-1 Tri-Channel Cold Pan

TRI-CHANNEL COLD PAN

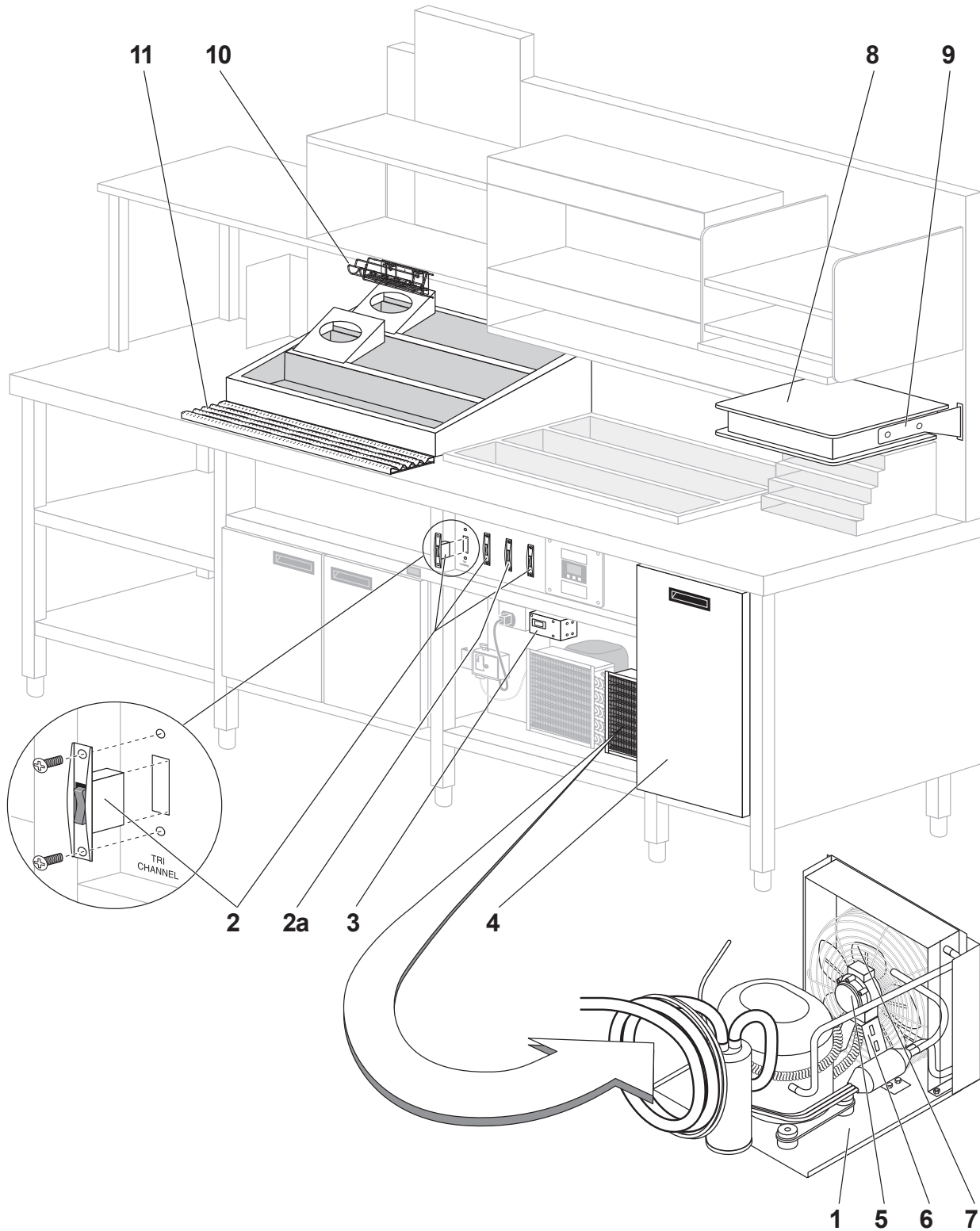


Figure: PL-1 Tri-Channel Cold Pan

REFRIGERATED BASE UNIT PARTS LIST

ITEM #	QTY.	PART NUMBER	DESCRIPTION
1	1	550327	Door, Insulated, 19" RT Refrigerated Cabinet
		550329	Door, Insulated, 17" RT Refrigerated Cabinet
2	1	550328	Door, Insulated, 17" LT Refrigerated Cabinet
	1	550326	Door, Insulated, 19" LT Refrigerated Cabinet
3	1	216645	Gasket, Door, 17"
4	1	216636	Gasket, Door, 19"
5	4	214570	Hinge, Base
		251420	Hinge, Door, Back Counter
6	1	506838	Plate, Control Access
7	2	214947	Filter, 9.375" x 9.875" x .3125"
8	1	216643	Refrigerated Base Control, Temperature, #A12-700
9	1	071136	Condensing Unit. 1/5 HP R-134A, 120V, 60 Hz
10	6	214556	Leg Assembly, Galvanized, 1-5/8" x 6" Plate Mount
		214508	Leg Assembly, Stainless Steel, 1-5/8" x 6"
11	1	550948	Panel, Fold Down LR
		550398	Panel, Fold Down LR
12	6	550081	Assembly, Shelf Pilaster
13	1	550313	Pilaster Mount Filler
14	1	216746	Wire Rack, 17" Opening, SS
15	1	216747	Wire Rack, 19" Opening, SS
16	1	550087	Plate, Evaporator Cover
17	6	213091	Thumb Screws, Evaporator Cover 10-24 X 5/8
18	6	212610	Shelf, Clip
19	1	216675	Display, Temperature
Not shown	6	212611	Support, Pin
Not shown	1	550956	Box, Electrical, 4 Switch
Not Shown	1	216600	Cap, Tube, .042" ID X .093" OD (Order by qty, 10 ft)

Table: PL-2 Refrigerated Base Unit

REFRIGERATED BASE UNIT

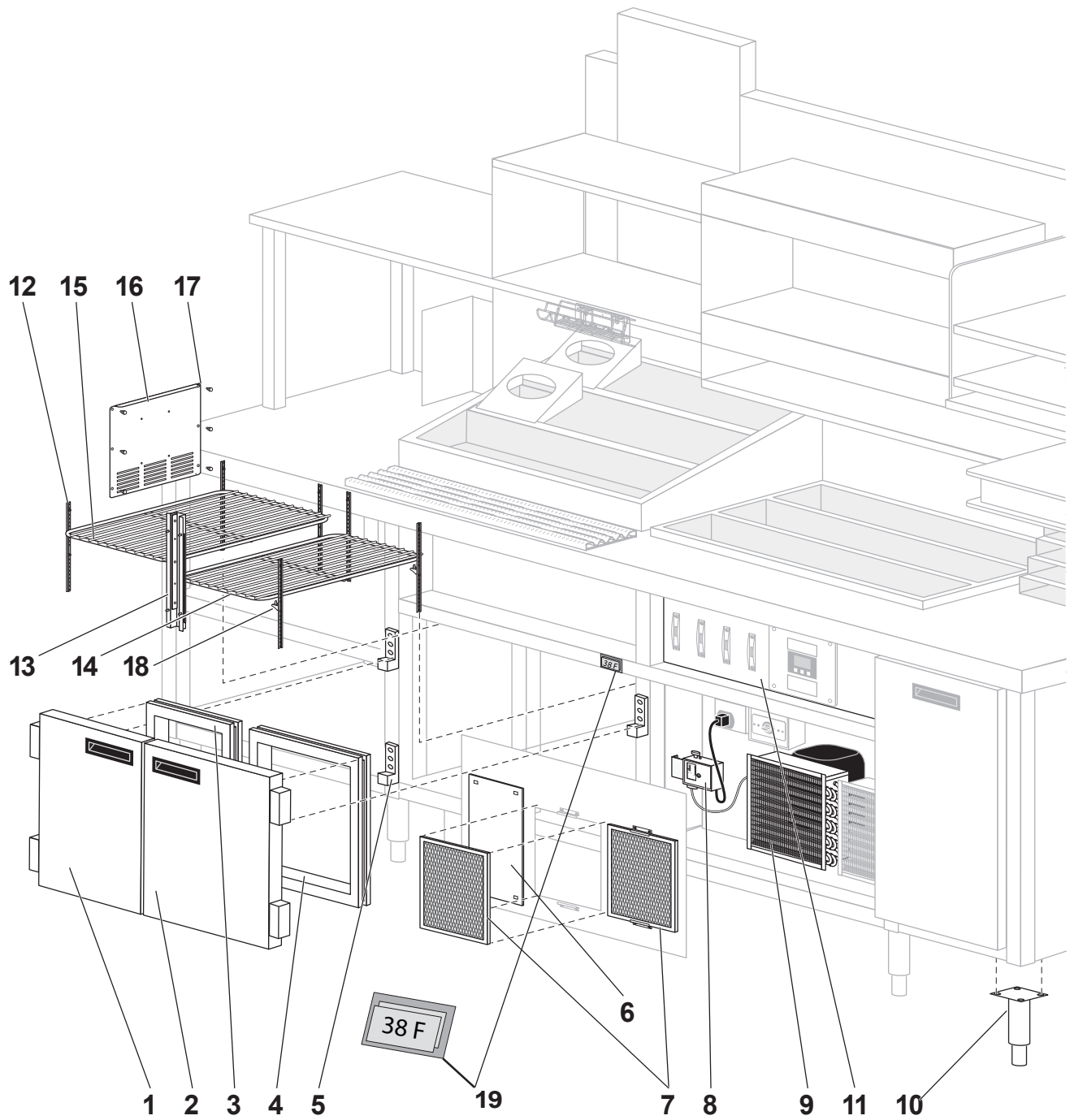


Figure: PL-2 Refrigerated Base Unit

DRY CHANNEL WARMER PARTS LIST

ITEM #	QTY.	PART NUMBER	DESCRIPTION
1	1	171159	Tub Assembly, Dry Channel HDC3
2	1	171160	Frame Assembly, Channel Top HDC3
3	3	553290	Kit, Channel HDC 3/6
4	1	212792	Switch, Toggle, Red, 30A
5	1	553160	Assembly, Relay Box with Switch
Not shown	1	551148	Ground Bar, REV 5.1
Not shown	3	218985	Ground Wire Cable
Not shown	1	228989	Label, Front of Unit
Not shown	1	228990	Label, Back of Unit
Not shown	1	553466	Retrofit Toggle Switch Kit
Not Shown	1	553510	Kit, Element Replacement
Not Shown	1	553511	Kit, RTD Replacement
Not Shown	1	553512	Kit, Hi-limit Replacement
Not Shown	1	228930	Kit, Channel Gasket, Single Zone

Table: PL-3 Dry Channel Warmer

DRY CHANNEL WARMER PARTS LIST

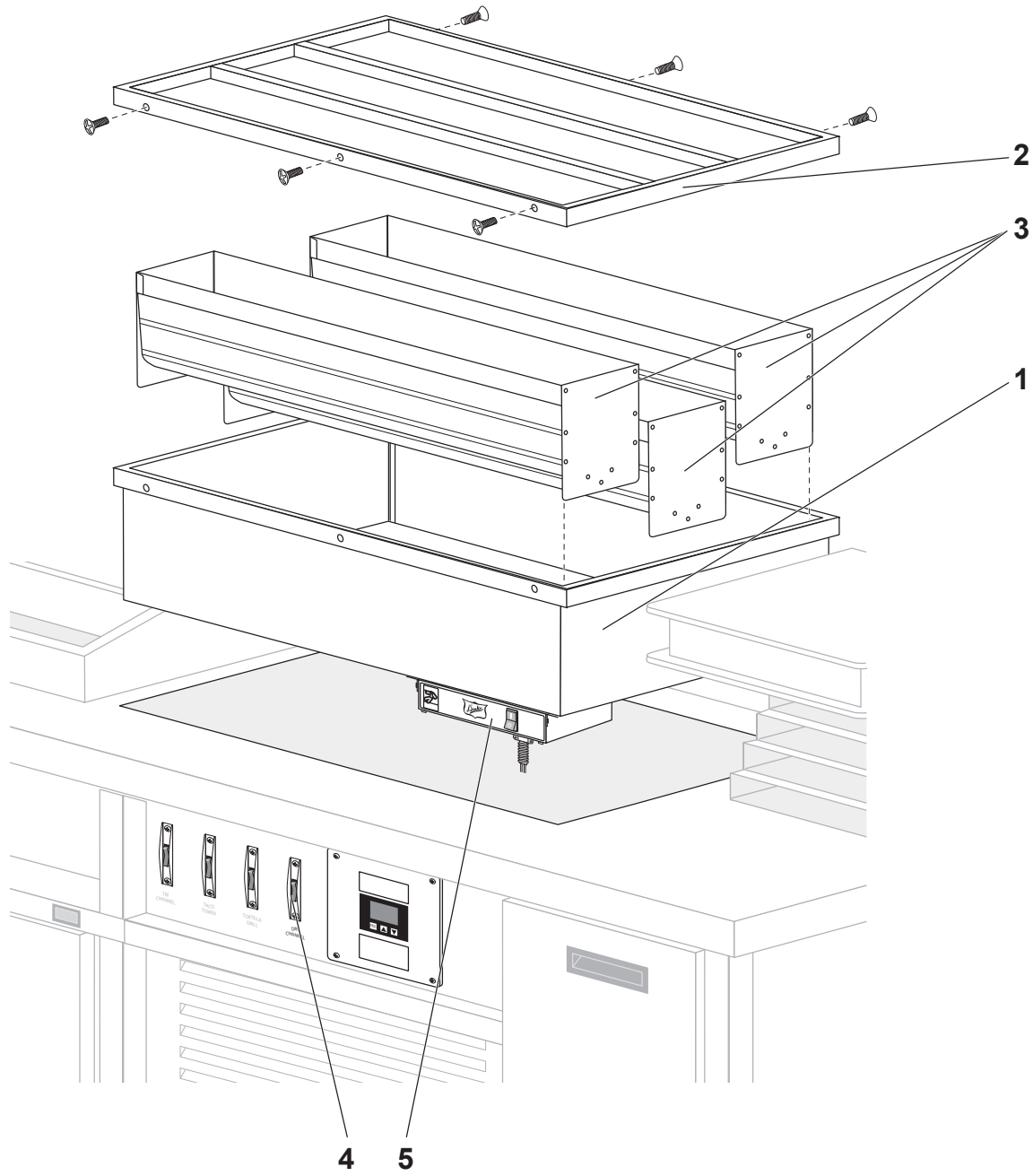


Figure: PL-3 Dry Channel Warmer

DRY CHANNEL RELAY BOX ASSEMBLY

ITEM #	QTY.	PART NUMBER	DESCRIPTION
1	1	553075	Box, Relay with Switch
2	1	553154	Plate, Relay Mounting
3	6	218828	Relay, Mini No 20A-240V-24V
4	1	218817	Label, Relay Box
5	13	213032	Screw 8 X 1/2" TEK PHIL
6	1	553466	Switch, Lighted, DPST 16GA @ 125V
7	1	218829	Transformer, 208/240V Pri, 24V Sec
8	1	213403	Stud PEM 8-32 X 1/2" SS
9	1	147351	Nut Hex 8-32 HZ-T KEPS
10	1	171215	Cable, Assembly Heater Wiring, 3-CHN
11	1	213216	Nutsert, ALM 832-80
12	1	218805	Terminal Block
13	1	171171	Top, Relay Box
14	1	218819	Wiring Diagram
15	1	218820	Label, Relays
16	1	404886	8-32 X 1/2" RD HD PHIL SS
17	2	218830	Screw, Connector
18	1	218875	Harness, DSUB Relay
19	1	553202	Angle, Mounting Bracket, Left
20	1	553203	Angle, Mounting Bracket, Right
Not Shown	1	218812	Harness, Terminal Block
Not Shown	1	553385	Kit, Dry Channel retrofit

Table: PL-4 Dry Relay Box Assembly

DRY CHANNEL RELAY BOX ASSEMBLY

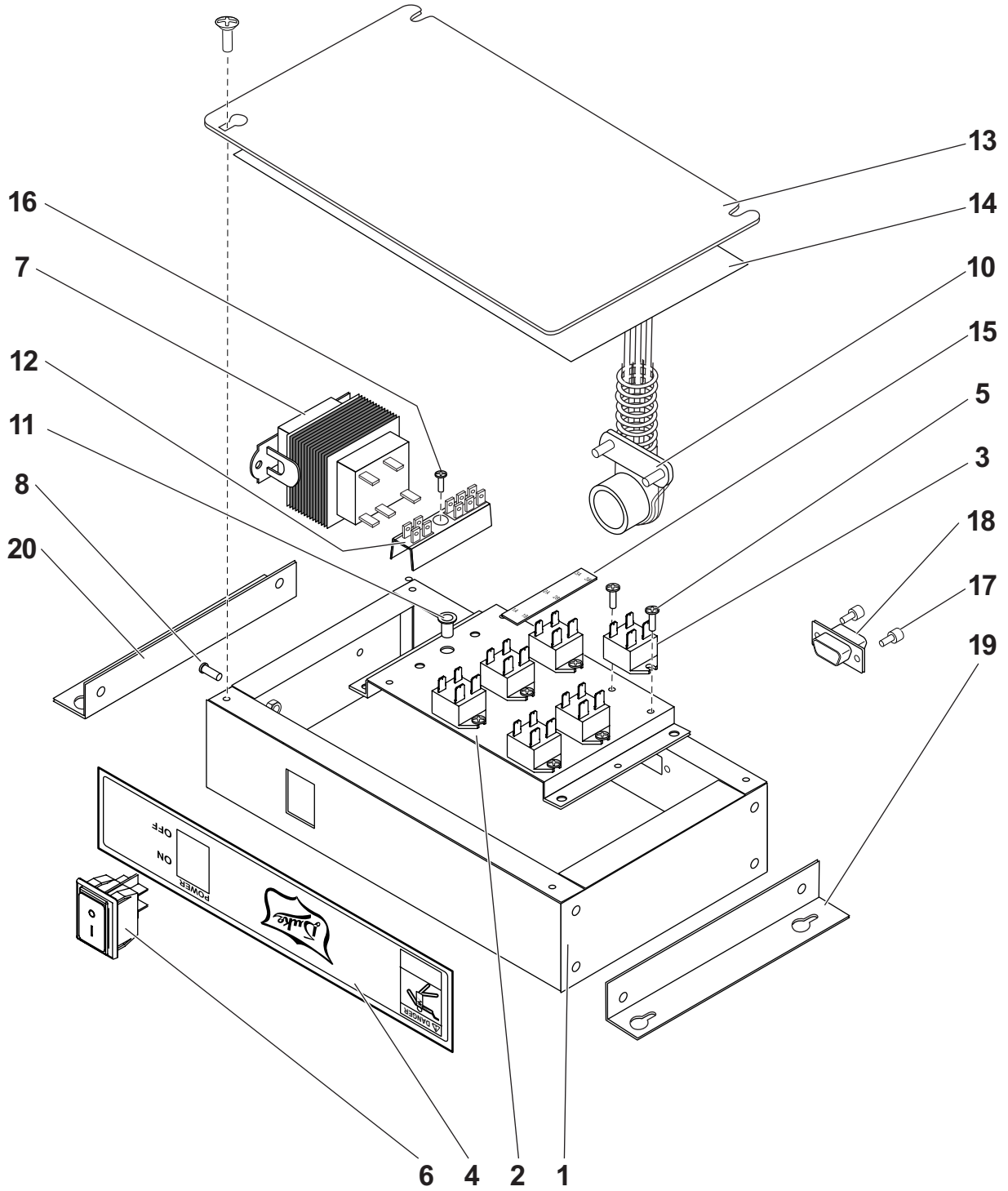


Figure: PL-4 Dry Relay Box Assembly

DRY CHANNEL RELAY BOX ASSEMBLY REV 5.1

ITEM #	QTY.	PART NUMBER	DESCRIPTION
1	1	553286	Box, Relay with Switch
2	1	553256	Plate, Relay Mounting
3	6	218828	Relay, Mini No 20A-240V-24V
4	1	218805	Terminal Block
5	1	218829	Transformer, 208/240V Pri, 24V Sec
6	1	553202	Angle, Mounting Bracket, Left
7	1	553203	Angle, Mounting Bracket, Right
8	1	213403	Stud, PEM, 8-32 X 1/2", SS
9	1	218902	Terminal Block
10	1	553257	Top, Relay Box
11	2	218904	Bushing, HEYCO 1217
12	1	218918	Harness, Dry Channel, RTD's
13	1	218917	Harness, Dry Channel, Relays
14	12	213166	Pop Rivet, 5/32 X 1/8 SS
15	4	213196	Screw, 8-32 X 1/2" PAN PHIL
16	4	147351	Nut, Hex, 8-32 HZ-T KEPS
17	13	213032	Screw, 8 X 1/2" TEK PHIL
18	2	213427	Screw, 4-40 X 1/2" FPPH
19	1	218963	Switch, Toggle, NKK, 25 Amp
20	1	218965	Plate, ON – OFF, 12MM
21	1	218946	Conduit, Assembly, Power Supply Relay Box, Hardwired
22	1	218819	Wiring Diagram

Table: PL-5 Dry Relay Box Assembly Rev 5.1

DRY CHANNEL RELAY BOX ASSEMBLY REV 5.1

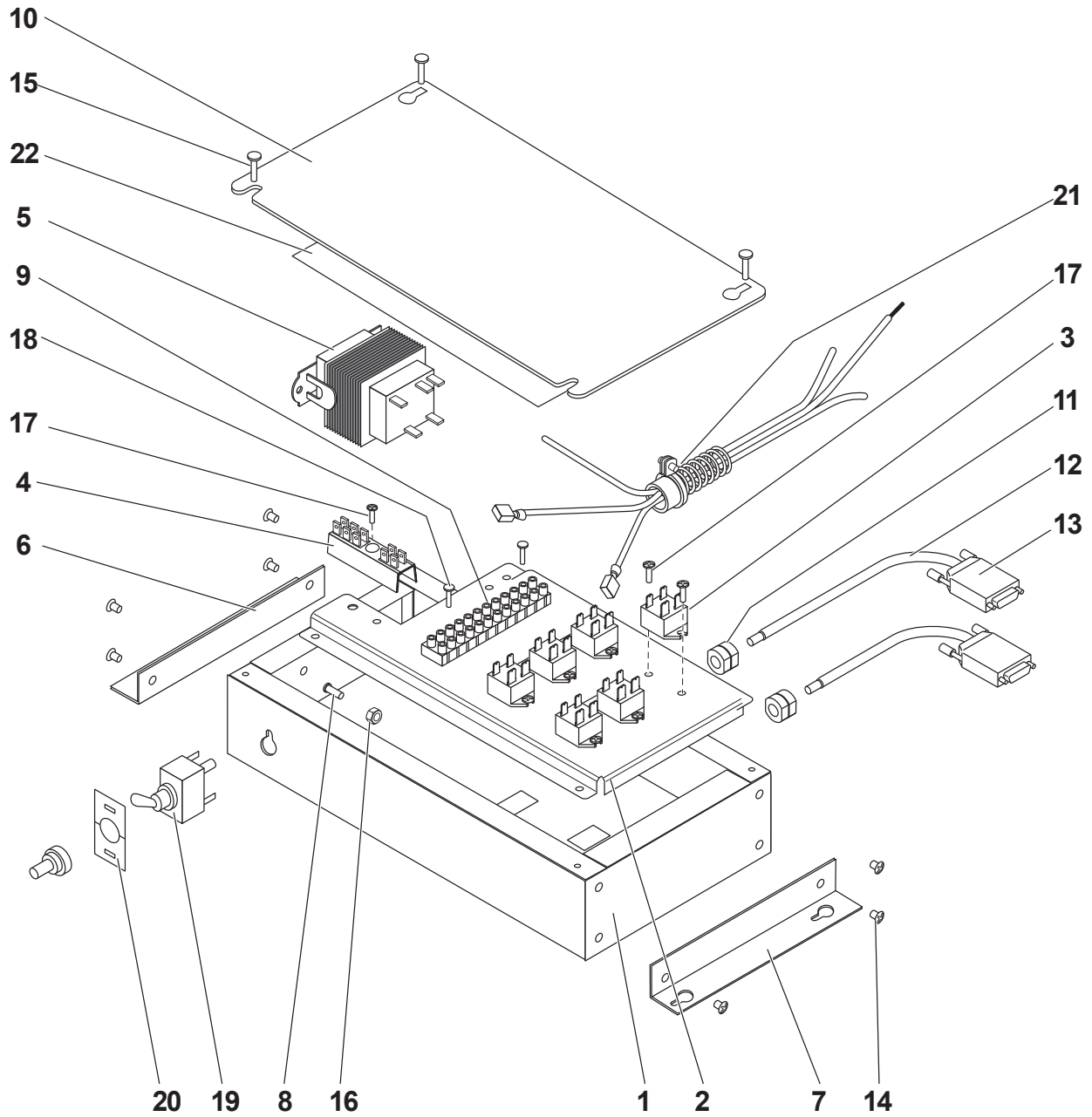


Figure: PL-5 Dry Relay Box Assembly Rev 5.1

DRY CHANNEL CONTROL BOARD

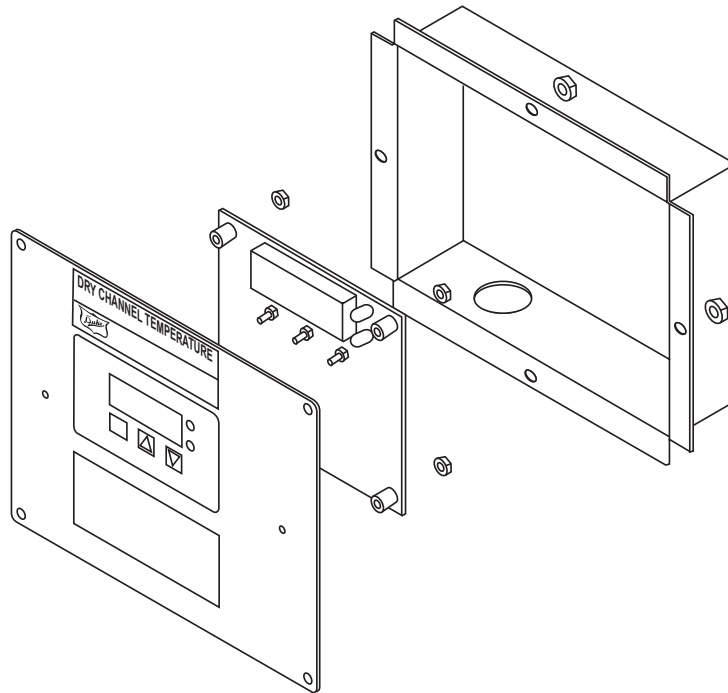


Figure: PL-6 Dry Channel Control Board

PART NO.	DESCRIPTION	HDC3-37.5	HDC4-44	HDC6-37.5
218800	Assembly, Display Control Board	1	2	3

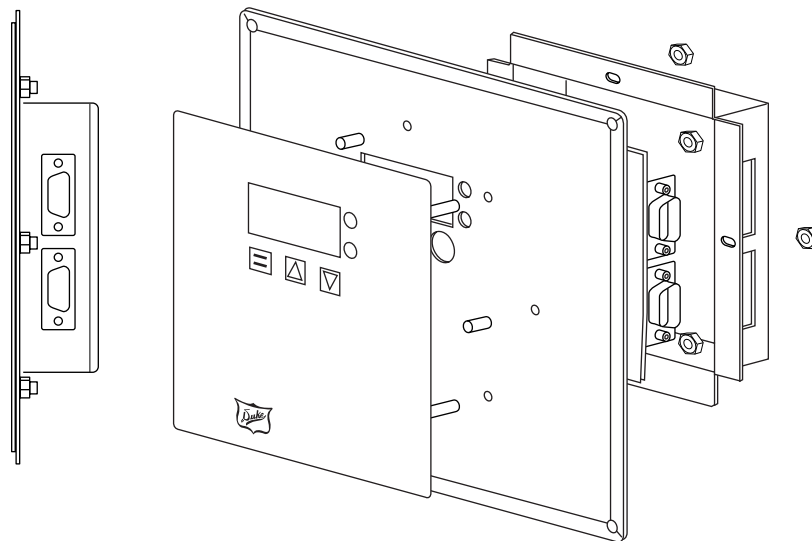


Figure: PL-7 Dry Channel Control Board – Version 4

PART NO.	DESCRIPTION	HDC3-37.5	HDC4-44	HDC6-37.5
218880	Assembly, Dual Zone, Display Control Board Ver 4 (04/2007)	1	2	3
228881	Assembly, Single Zone, Display Control Board Ver 4 (04/2007)	1	2	3

I-LINE EXTENSION TABLE

ITEM #	QTY.	PART NUMBER	DESCRIPTION
1	1	550827	Wrapper Shelf Divider, RT
2	1	550900	Wrapper Shelf, LT
2	1	TB020008	Wrapper Shelf, RL
3	2	212790	J-Hook, Small
4	1	551112	Pan Scale, S/S

Table: PL-8 I-Line Extension Table

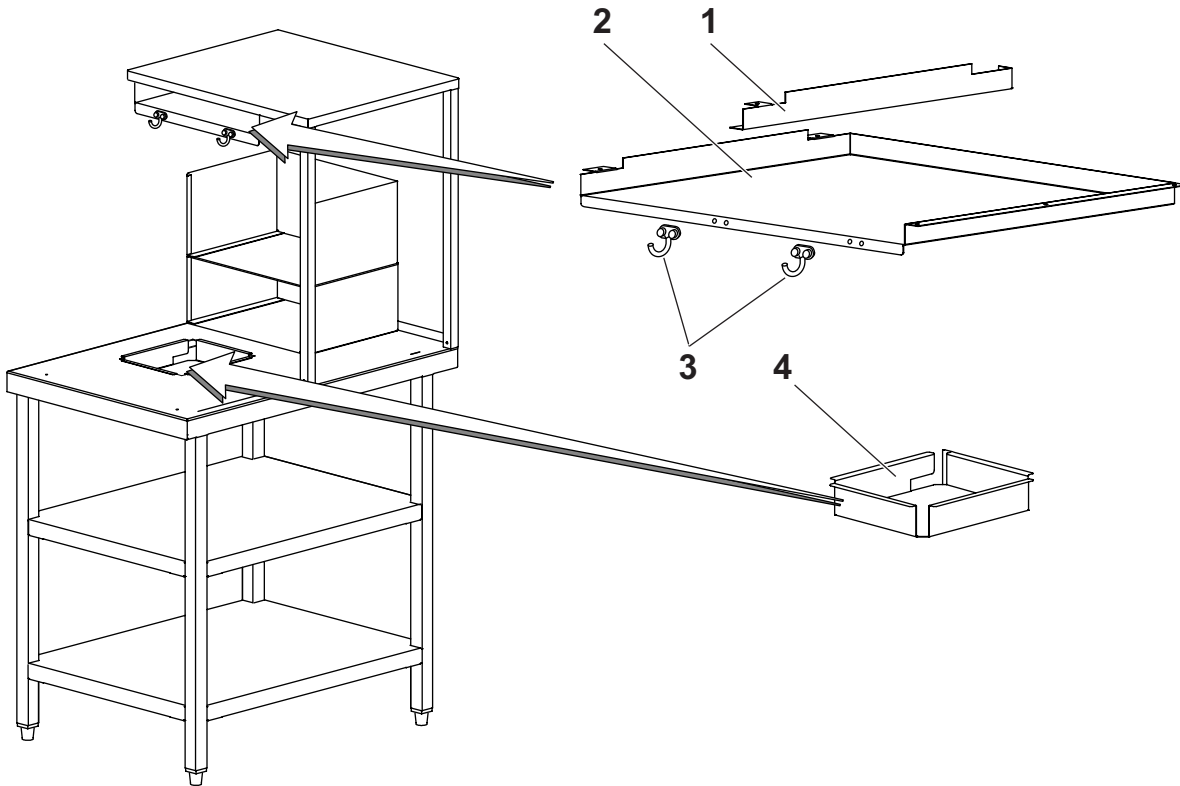


Figure: PL-8 I-Line Extension Table



"Your Solutions Partner"

Duke Manufacturing Co.

2305 N. Broadway • St. Louis, MO 63102

800.735.3853 • 314.231.1130

Fax: 314-231-5074

www.dukemfg.com