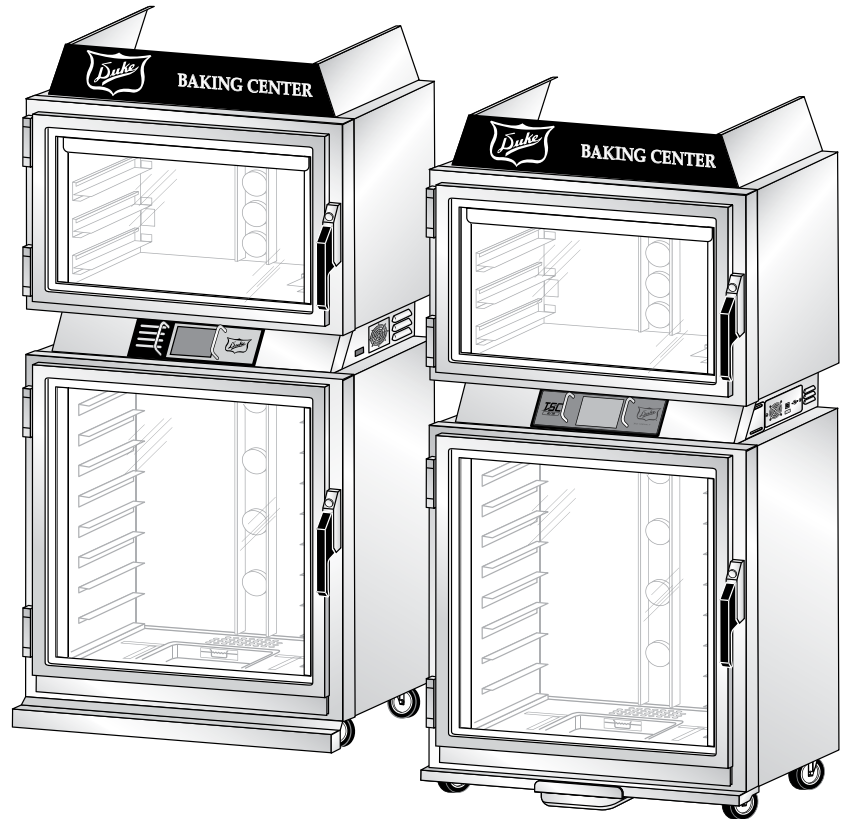




## Illustrated Parts List



### TSC, TSC-M & PBC-M PROOFER/OVENS

#### MODELS:

TSC-6/18	TSC-3/9	<i>(Introduced February/2009)</i>
TSC-6/18M	TSC-3/9M	<i>(Introduced January/2013)</i>
PBC-6/18M		<i>(Introduced June/2019)</i>

---

*This manual is Copyright © 2020 Duke Manufacturing Co. All rights reserved.  
Reproduction without written permission is prohibited. Duke is a registered  
trademark of the Duke Manufacturing Co..*

### Duke Manufacturing Co.

2305 N. Broadway  
St. Louis, MO 63102  
Phone: 314-231-1130  
Toll Free: 1-800-735-3853  
Fax: 314-231-5074  
[www.dukemfg.com](http://www.dukemfg.com)

## TABLE OF CONTENTS

HOW TO DETERMINEMANUFACTURE DATE FROM DUKE EQUIPMENT SERIAL NUMBERS .....3

TSC-6/18 & TSC-3/9 CABINET COMPONENTS .....4  
     Table: PL-1 TSC Cabinet Components .....4  
     Figure: PL-1 TSC Cabinet Components.....5

TSC CONTROL PANEL..... 6  
     Table: PL-2 TSC Control Panel .....6  
     Figure: PL-2 TSC Control Panel.....7

CONTROLS RETROFIT TSC TO TSC-M OVENS.....8  
     Table: PL-3 Control Retrofit TSC to TSC-M Ovens .....8  
     Figure: PL-3 Control Retrofit TSC to TSC-M .....9

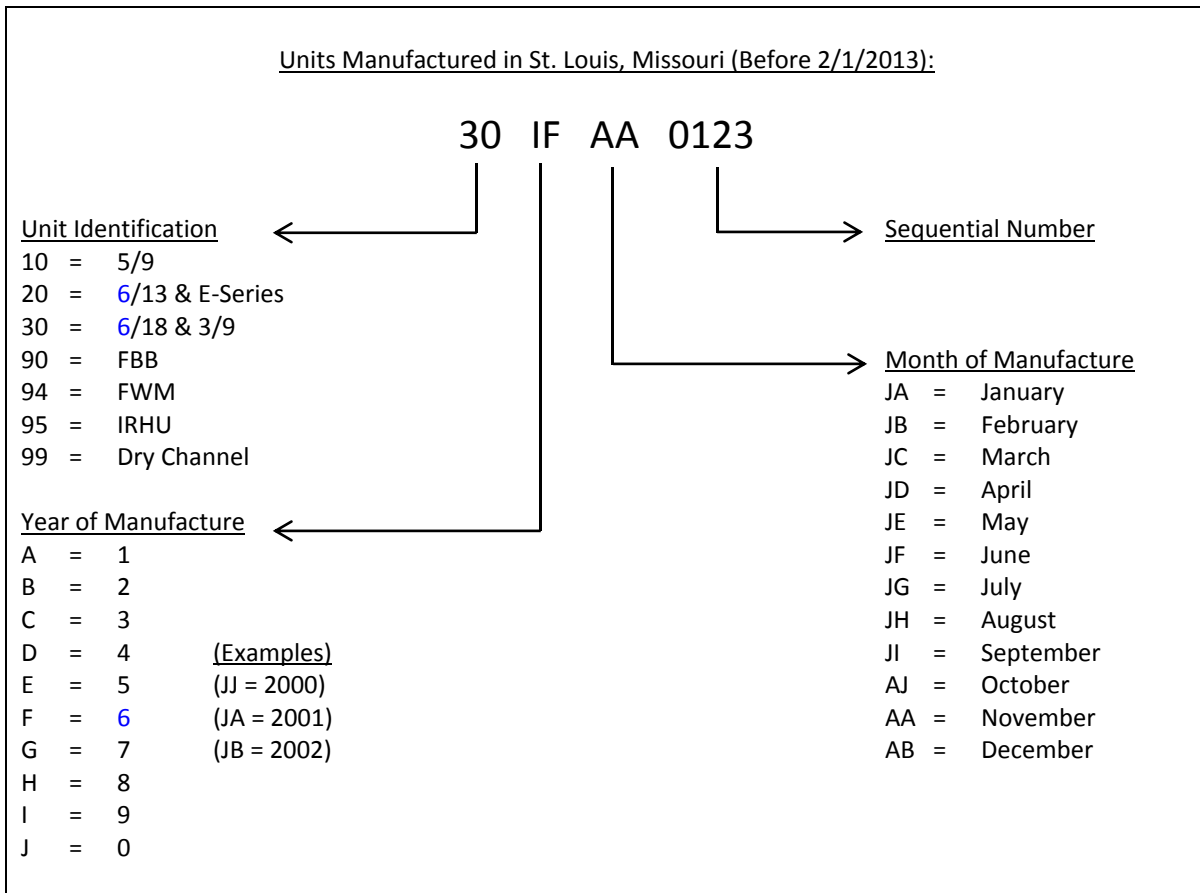
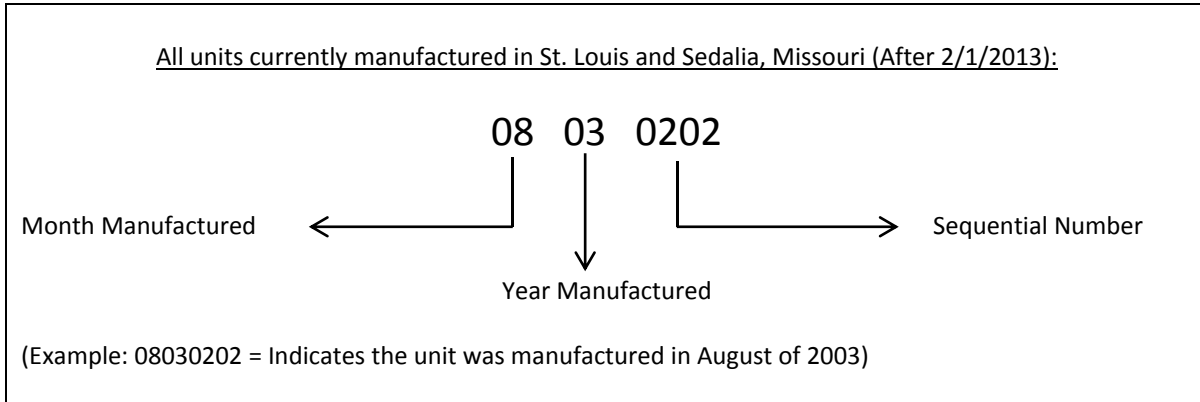
AIR WASH OVEN DOOR .....10  
     Table: PL-4 Air Wash Oven Door .....10  
     Figure: PL-4 Air Wash Oven Door.....11

TSC-M & PBC-M CABINET COMPONENTS.....12  
     Table: PL-5 TSC-M & PBC-M Cabinet Components.....12  
     Figure: PL-5 TSC-M & PBC-M Cabinet Components .....13

TSC-M & PBC-M CONTROL PANEL COMPONENTS .....14  
     Table: PL-6 TSC-M & PBC-M Control Panel.....14  
     Figure: PL-6 TSC-M & PBC-M Control Panel .....15

TSC-6/18 & 3/9 WIRE DIAGRAM .....16  
 TSC-M & PBC-M 208/240V 60HZ WIRE DIAGRAM .....17  
 TSC-M & PBC-M 230V 50HZ WIRE DIAGRAM .....18  
 WIRE DIAGRAM GEN1 TO GEN2 ADAPT .....19

## How to Determine Manufacture Date from Duke Equipment Serial Numbers



### TSC-6/18 & TSC-3/9 CABINET COMPONENTS

ITEM	PART #	QTY.	DESCRIPTION
1	512835	2	Caster, Swivel W/Brake, 2½"
2	512836	2	Caster, Swivel, 2½"
3	600374	1	Kit, Drip Pan - TSCM Oven
4, 5 & 6	156008	1	Kit, Drip Channel Assembly – Left Hinged Door
	156009	1	Kit, Drip Channel Assembly – Right Hinged Door
7	512562	1	Proofer Bottom Access Panel
8	600413	4	Kit, Hinge, Door, TSC & TSCM Ovens
Not Shown	512021	A/R	Cover, Kason Hinge
Not Shown	600179	A/R	Kit, Nutsert Installation Tool with Nutserts
9	512905KIT	2	Kit, Handle and Latch Assembly, Oven & Proofer
Not Shown	512920	4	Door Handle Screw, 10-32 x 1-3/4"
10	600383	1	Kit, TSC Proofer Door Replacement
11	502861	1	Gasket, Proofer Door
Not Shown	600146	1	Kit, Proofer Door Assy-Left Hinged (Packaged)
Not Shown	600147	1	Kit, Proofer Door Assy-Right Hinged (Packaged)
12	600164	1	Kit, Air Wash Door Replacement w/o Hinges & Handle
Not Shown	600162	1	Kit, Replacement, Air Wash Oven Door, Left Hinged
Not Shown	600163	1	Kit, Replacement, Air Wash Oven Door, Right Hinged
13	502869	1	Gasket, Oven Door
14	512745	1	Cover, Motor Top
15	502744	2	Guard, Oven Light
16	502745	2	Guard, Proofer Light
17	512777	1	RTD Thermostat, Oven & Proofer
18	512759	2	Element, Proofer 500W, 208VAC, 60Hz
	512791	2	Element, Proofer 500W, 230VAC, 50Hz
Not Shown	522100	1	Kit, Proofer Element Retention Bracket
19	154373	2	Element, Oven 2500W, 208VAC, 60Hz
	502831	2	Element, Oven 2500W, 230VAC, 50Hz
20	512594	1	Proofer Motor Assembly with Blower Wheel
21	600414	5	Kit, Halogen Lamp, TSC & TSC-M Ovens
22	502794	5	Lens, Light Glass
23	502795	5	Gasket, Lens Glass Oven/Proofer
24	512495	5	Bulb, Halogen 10W, 12VAC
25	600269	1	Kit, 208/230VAC Blower Motor Replacement
Not Shown	502943	1	Capacitor, Oven Blower Motor
26	502338	1	Fan Blade, Oven Motor, Heat Slinger
27	512523	1	Motor Mounting Bracket, Ovens
28	154039	1	Blower Wheel, Oven
29	600184	1	Kit, Retrofit Door Switch
30	154547	12	Rack, Wire Proofer & Oven
31	512539	1	Water Filter System Assembly W/ Filter
31A	512284	1	Head Assembly, Water Filter
Not Shown	512536	1	Inlet Port Adapter Fitting
Not Shown	512593	1	Outlet Port Adapter Fitting
32	512570	1	Water Filter Only
33	512592	1	Strainer Assembly, Threaded Bronze
34	512537	1	Valve, Backflow Dual Check
35	512595	1	Assembly, Adapter Nozzle
36	600185	1	Kit - Quick Disconnect Nozzle
37	512546	1	Coupling, Insert 1/8 BSPT
38	600292	1	Kit, Humidity Sensor (512298)
Not Shown	* 600289	1	Kit, TSC Relative Humidity Sensor Replacement/Upgrade
39	600226	1	Kit, Replacement TSC Solenoid Valve 240V 50/60 HZ
40	600187	1	Kit, Replacement, Backflow Valve Assembly
41	502933	1	Assembly, Façade Proofer Oven
Not Shown	512317	1	Weldment, Duct, Side, Right, Oven, LW

**\*Ovens Manufactured Prior to 2/21/12 -**  
 Parts 512772 Humidity Sensor & 512780 PCB have been replaced by 512298. Kit number 600289 (Item 38, Not Shown) contains the components and instructions required to upgrade to the 512298 assembly.

**Table: PL-1 TSC Cabinet Components**

### TSC-6/18 & TSC-3/9 CABINET COMPONENTS

Not Shown	<a href="#">512319</a>	1	Weldment, Duct, Side, Left, Oven, LW
Not Shown	<a href="#">512346</a>	1	Assembly, Intake, Blower, Cavity, Oven, LW
Not Shown	<a href="#">502351</a>	1	Vent Cap (Requires 512908, 10-24 x 1/4" Set Screw)
Not Shown	<a href="#">502320</a>	2	Weldment, Air Duct, Proofer (same part RH & LH sides)

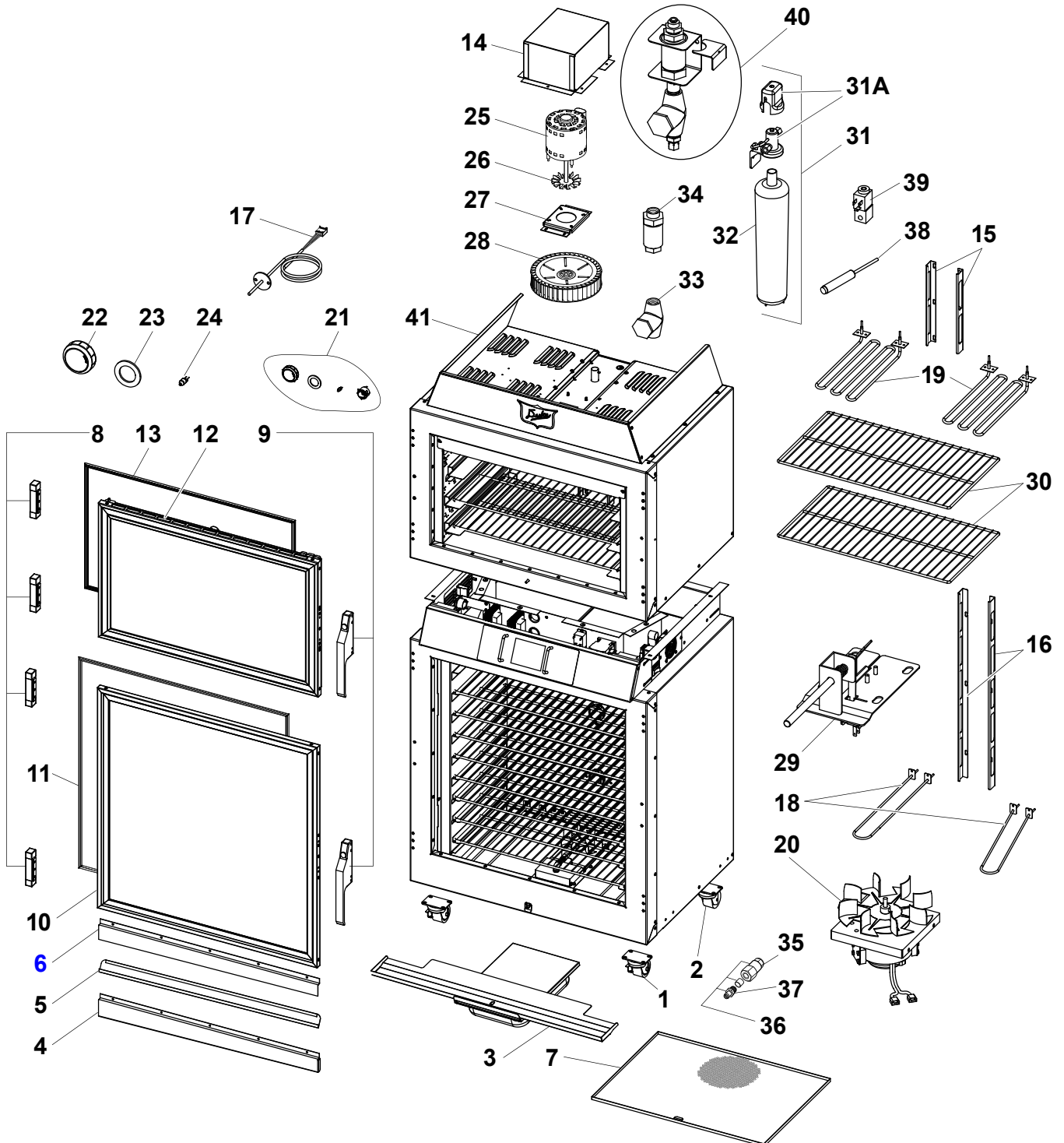


Figure: PL-1 TSC Cabinet Components

### TSC CONTROL PANEL

ITEM	PART #	QTY.	DESCRIPTION
42	<a href="#">512771</a>	1	USB Port
43	<a href="#">512568KIT</a>	1	Kit, Buzzer, Mounting Angle
44	<a href="#">502937</a>	2	Transformer 230VAC
	<a href="#">502840</a>	2	Transformer 208VAC
45	<a href="#">600531</a>	1	Controls Retrofit TSC to TSC-M Ovens <i>(Replaces 600183, See the Following Pages for Additional Details)</i>
	<b><i>Service replacement for Control Module is 600309, once the unit has been retrofit with 600531</i></b>		
46	<a href="#">512547</a>	2	Handle, Guard Control
	<a href="#">120026</a>	2	Handle, Guard Control <b><i>(After 600531 Retrofit)</i></b>
47	<a href="#">512767</a>	1	Overlay, Touch Screen
	<a href="#">120061</a>	1	Overlay, Touch Screen <b><i>(After 600531 Retrofit)</i></b>
48	<a href="#">512781</a>	1	Oven Motor Relay 230VAC
49	<a href="#">222790</a>	1	Contactora, 240V, 50/60Hz
50	<a href="#">512765</a>	1	Thermostat, Hi Limit
51	<a href="#">512770</a>	1	Breaker, Switch 10A
52	<a href="#">159092</a>	1	Fan, Muffin 29CFM, 230 VAC, 50/60 HZ
	<a href="#">512956</a>	1	Guard, Fan
	<a href="#">10223500</a>	4	Nut, #8-32 S/S
	<a href="#">213359</a>	4	Screw, #8-32 x 1/2" TR PH S/S
Not Shown	<a href="#">512880</a>	1	Breaker, Circuit 3 Amp for Proofer Lights Transformer
Not Shown	<a href="#">512763</a>	1	Harness, Oven TSC
Not Shown	<a href="#">512764</a>	1	Harness, Proofer TSC
Not Shown	<a href="#">512786</a>	1	Harness, TSC Oven AC
Not Shown	<a href="#">512787</a>	1	Harness, TSC Heat Control & Supply
Not Shown	<a href="#">512881</a>	1	Harness, Wire Jumper
Not Shown	<a href="#">512019</a>	1	Harness, Relative Humidity Control
Not Shown	<a href="#">512590</a>	1	Harness, Oven Lights
Not Shown	<a href="#">512762</a>	1	Harness, TSC Lights (11/2008 to 12/2011)
Not Shown	<a href="#">512299</a>	1	Harness, Proofer Lights & Beeper 12/2011 to Present)

Table: PL-2 TSC Control Panel

### TSC CONTROL PANEL

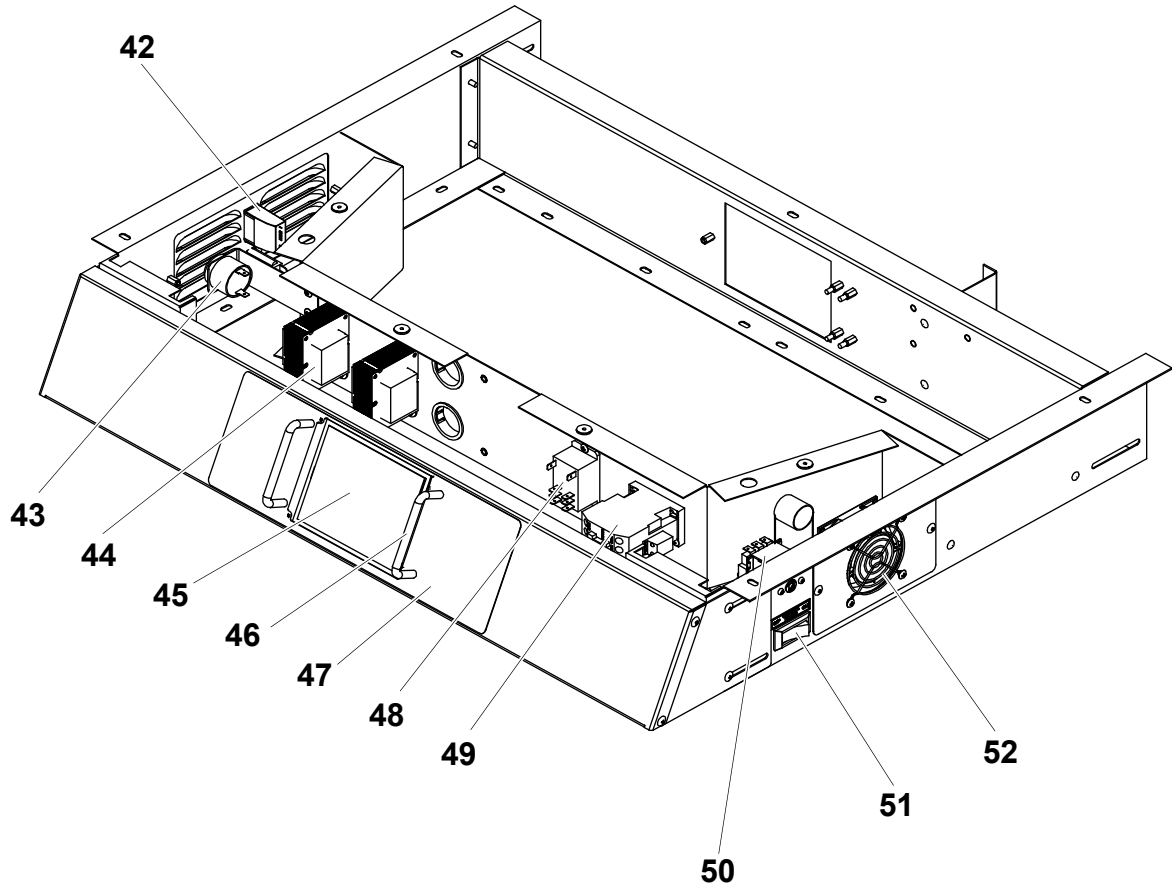


Figure: PL-2 TSC Control Panel

**CONTROLS RETROFIT TSC TO TSC-M OVENS**

ITEM	PART #	QTY.	DESCRIPTION
1	600531	1	CONTROLS RETROFIT TSC TO TSC-M OVENS
2	600351	1	KIT, SERVICE, 120011 PWR SUPPLY
Not Shown	120501	1	Fuse, 3.15 AMP 5x20mm, Slow Blow (Ref-120111, component of 600351)
3	600350	1	KIT, SERVICE, ELC0058-1, IO PCB, TSC-6/18M
Not Shown	120500	1	Fuse, Slow 250VAC 10A 5X20 (Ref-ELC0058-1, component of 600350)
4	ELC-001054	1	Adapt PCB - Gen1 to Gen2 TSC
5	120007	1	CONNECTOR, USB PANEL MOUNT UPMA5-075M/CA USB-A NCNR
6	1059-0732	1	FLEX HEAD LOCKNUT, 8-32, 18-8 SS
7	1059-0679	1	HS2, COVER, USB
8	1059-0731	1	SCREW, KNURLED THUMB, 8-32 x 5/8" SS
9	120061	1	OVERLAY, TOUCH SCREEN
10	120026	2	HANDLE, .312 DIA. x 3 x 1.312
11	512611	4	SCREW, 8-32 x 5/16" PN PH ZP
12	120037	1	RH SENSOR ASSEMBLY
13	155680	2	NUT, KEPS 8-32 HEX ZP
14	512009	1	ASSEMBLY, TSC HUMIDITY SENSOR
15	512011	1	GASKET, SILICONE RUBBER 1" X 2.5"
16	512014	1	ASSEMBLY, HUMIDITY SENSOR BRACKET
NS	ELC-001070	1	TSC Gen 1 to Gen 2 adapt
NS	ELC-001071	1	TSC Gen1 to Gen2 adapt

**Table: PL-3 TSC to TSC-M Control Panel Retrofit**



### CONTROLS RETROFIT TSC TO TSC-M OVENS

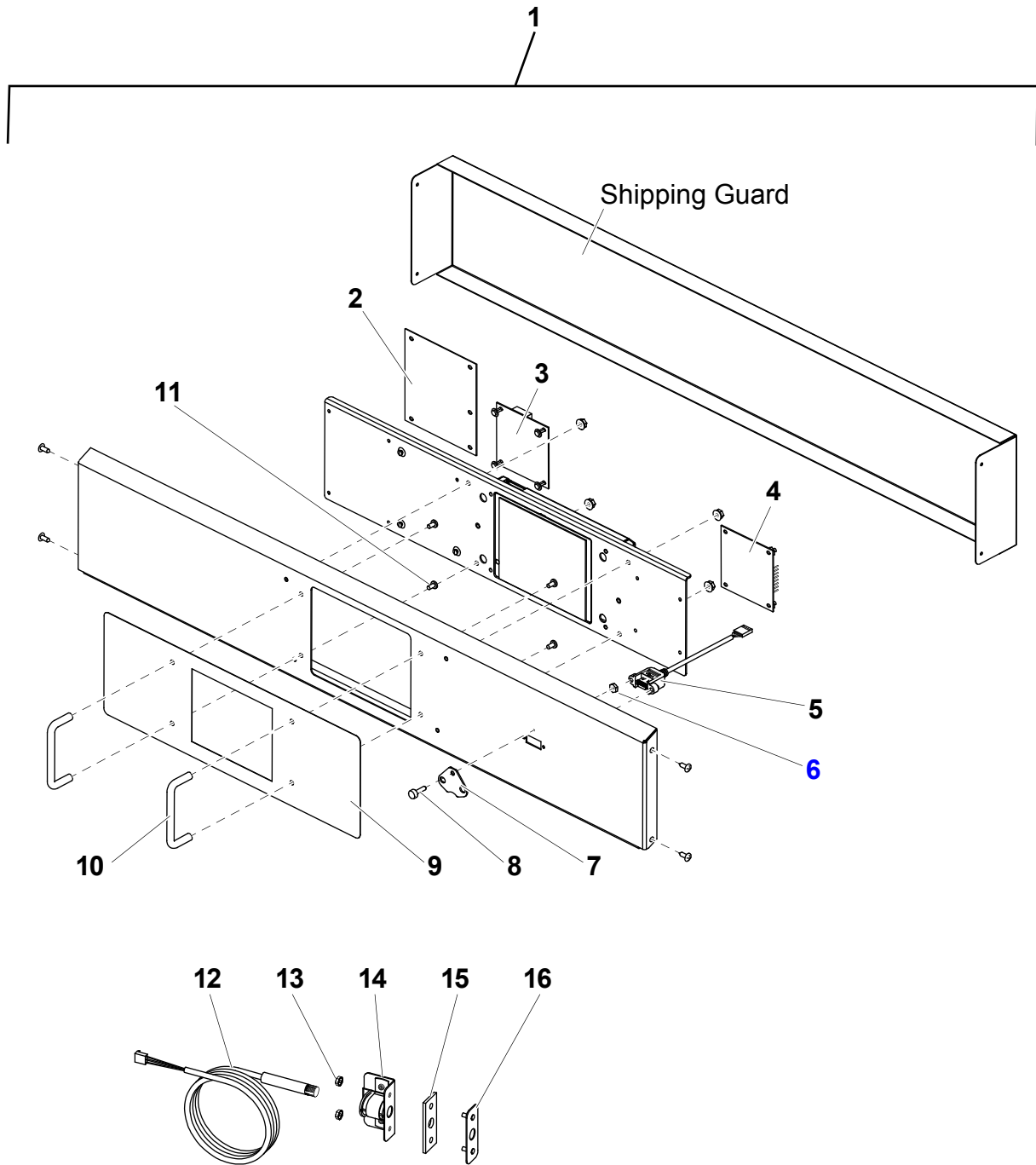


Figure: PL-3 TSC to TSC-M Control Panel Retrofit

**AIR WASH OVEN DOOR**

ITEM	PART #	QTY.	DESCRIPTION
53	512838K	1	Kit, Inner Air Wash Door
54	512839	1	Door, Outer Air-Wash
55	<a href="#">512994</a>	2	Clip, Latching Inner Door w/Mtg Holes
56	167916	2	Screw, # 10-32 X .375 FL PH SS
57	512993	2	Lip, Latching, Inner Door
58	<a href="#">512995</a>	2	Support Ramp, Inner Door
59	512996	2	Flange, Door Switch
60	<a href="#">512997</a>	1	Bracket, Hinge Mount
61	512802	2	Plate, Backup, Hinge Mount
62	<a href="#">512877</a>	4	Bumper, Silicone Rubber
63	175586	2	Screw, 10-24 x 3/8" FLU PH SS
64	653032	8	Screw, 10-24 x 1/2" FL PH-SS
65	168118	8	Screw, 8-32 x 1/4" PN PH SS
66	313181	4	Screw, 10-34 x 1/2" PN PH SS
67	502762	2	Washer, PTFE, 1/2" OD x 5/16" ID x .0625 THK
68	<a href="#">512498</a>	2	Washer, .75 OD x .174 ID x .063 THK
Not Shown	512999	1	Spacer, Striker Plate (Ref - <a href="#">600164</a> )
Not Shown	<a href="#">512803</a>	2	Striker Plate Screws (Ref - <a href="#">600164</a> )
Not Shown	502878	1	Strike Plate, Oven/Proofer Door (Ref - <a href="#">600164</a> )
Not Shown	<a href="#">600180</a>	1	Kit, Retrofit, Air-Wash Door Rubber Bumper
Not Shown	<a href="#">600162</a>	1	Kit, Air Wash Oven Door, Left Hinged, Replacement
Not Shown	<a href="#">600163</a>	1	Kit, Air Wash Oven Door, R/Hinged, Replacement
Not Shown	<a href="#">600164</a>	1	Kit, Air Wash Oven Door, Without Hinges & Handle

**Table: PL-4 Air Wash Oven Door**

### AIR WASH OVEN DOOR

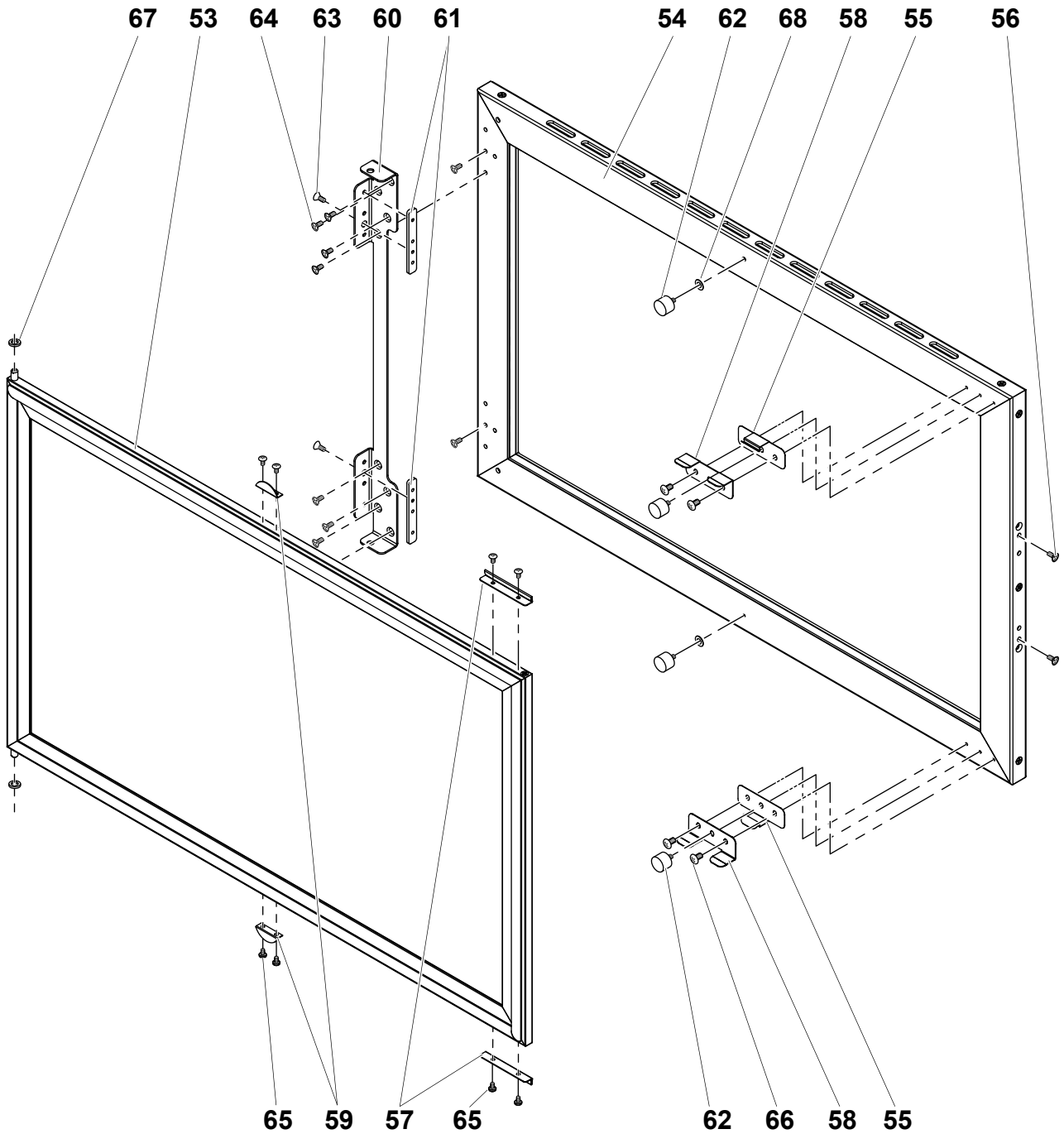


Figure: PL-4 Air Wash Oven Door

**TSC-M & PBC-M CABINET COMPONENTS**

ITEM	PART #	QTY	DESCRIPTION
1	512835	2	Caster, Locking W/ Brake, 2½"
2	512836	2	Caster, Swivel, 2½"
3	600374	1	Kit, Drip Pan - TSCM Oven
4, 5 & 6	156008	1	Kit, Drip Channel Assembly - Left Hinged Door
	156009	1	Kit, Drip Channel Assembly - Right Hinged Door
7	512562	1	Proofer Bottom Accesses Panel
8	600413	4	Kit, Hinge, Door, TSC & TSC-M Ovens
Not Shown	512021	A/R	Cover, Kason Hinge
Not Shown	600179	A/R	Kit, Nutsert Installation Tool with Nutserts
9	512905KIT	2	Kit, Handle and Latch Assembly, Oven & Proofer
Not Shown	512920	4	Door Handle Screw, 10-32 x 1-3/4"
10	600383	1	Kit, TSC Proofer Door Replacement
11	502861	1	Gasket, Proofer Door
Not Shown	600146	1	Kit, Proofer Door Assy-Left Hinged (Packaged)
Not Shown	600147	1	Kit, Proofer Door Assy-Right Hinged (Packaged)
12	600164	1	Kit, Air Wash Door Replacement without Hinges & Handle
Not Shown	600162	1	Kit, Replacement Air Wash Oven Door, Left Hinged
Not Shown	600163	1	Kit, Replacement Air Wash Oven Door, Right Hinged
13	502869	1	Gasket, Oven Door
14	512745	1	Cover, Top Motor
15	502744	2	Guard, Oven Light
16	502745	2	Guard, Proofer Light
17	512777	1	RTD Thermostat, Oven & Proofer
18	512759	2	Element, 500W Proofer 208V
	512791	2	Element, 500W Proofer 230V
Not Shown	522100	1	Kit, Proofer Element Retention Bracket
19	154373	2	Element, 2500W Oven 208V
	502831	2	Element, 2500W Oven 230V
20	512594	1	Proofer Motor Assembly with Blower Wheel
21	600414	5	Kit, Halogen Lamp, TSC & TSC-M Ovens
22	502794	5	Lens, Light Glass
23	502795	5	Gasket, Lens Glass Oven/Proofer
24	512495	5	Bulb, 10W Halogen
25	600269	1	Kit, 208208V Bower Motor Replacement
Not Shown	502943	1	Capacitor, Oven Blower Motor
26	502338	1	Fan Blade - Oven Motor, Heat Slinger
27	512523	1	Motor Mounting Bracket, Oven
28	154039	1	Blower Wheel, Oven
29	600184	1	Kit, Retrofit Door Switch
30	154547	2	Wire Rack, Proofer & Oven
31	512539	1	Water Filtration System Assembly with Filter
31A	512284	1	Head Assembly, Water Filter
Not Shown	512536	1	Inlet Port Adapter Fitting
Not Shown	512593	1	Outlet Port Adapter Fitting
32	512570	1	Water Filter Only
33	512592	1	Strainer Assembly, Threaded Bronze
34	512537	1	Valve, Backflow, Dual Check
35	512595	1	Assembly, Adapter Nozzle
36	600185	1	Kit - Quick Disconnect Nozzle (includes 512546 Coupling, Insert 1/8/ BSPT)
37	512546	1	Coupling, Insert 1/8/ BSPT
38	120037	1	Sensor, Relative Humidity
39	600226	1	Kit, Replacement TSC Solenoid Valve 240V 50/60HZ
40	600187	1	Kit, Replacement, Backflow Valve Assembly
41	502933	1	Assembly, Façade Proofer Oven
Not Shown	512317	1	Weldment, Duct, Side, Right, Oven, LW
Not Shown	512319	1	Weldment, Duct, Side, Left, Oven, LW
Not Shown	512346	1	Assembly, Intake, Blower, Cavity, Oven, LW

**Table: PL-5 TSC-M & PBC-M Cabinet Components**

### TSC-M & PBC-M CABINET COMPONENTS

Not Shown	<a href="#">502351</a>	1	Vent Cap (Requires 512908, 10-24 x 1/4" Set Screw)
Not Shown	<a href="#">502320</a>	1	Weldment, Air Duct, Proofer (same part RH & LH sides)

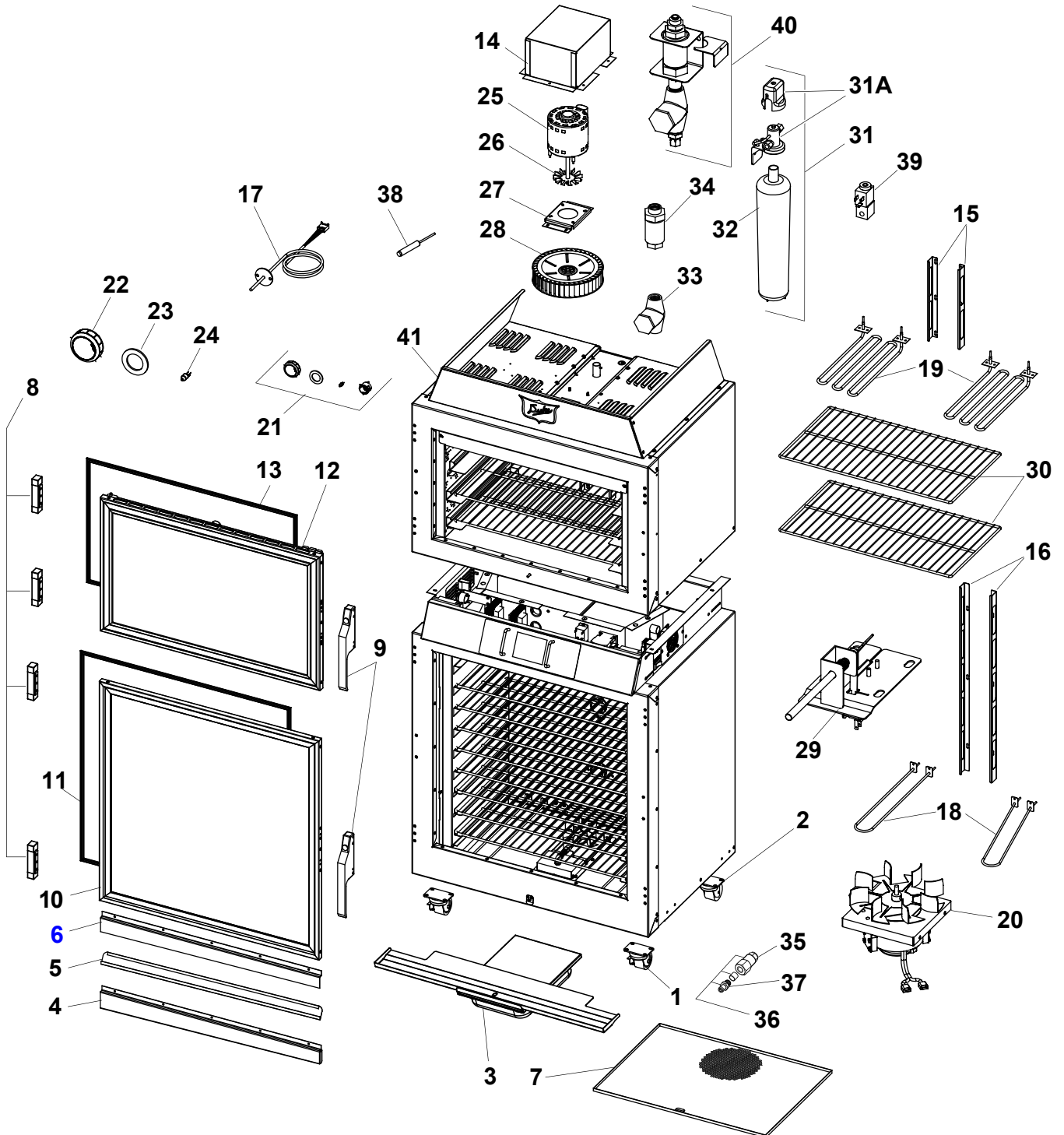


Figure: PL-5 TSC-M & PBC-M Cabinet Components

## TSC-M & PBC-M CONTROL PANEL COMPONENTS

ITEM	PART #	QTY	DESCRIPTION
42	<a href="#">120007</a>	1	USB Port
43	<a href="#">512568KIT</a>	1	Kit, Buzzer, Mounting Angle
44	<a href="#">600351</a>	1	KIT, SERVICE, <a href="#">120011</a> PWR SUPPLY
Not Shown	<a href="#">120501</a>	1	Fuse, 3.15 AMP 5x20mm, Slow Blow ( <i>Ref-120111, component of <a href="#">600351</a></i> )
45	<a href="#">600350</a>	1	KIT, SERVICE, <a href="#">ELC0058-1</a> , IO PCB, TSC-6/18M
Not Shown	120500	1	Fuse, Slow 250VAC 10A 5X20 ( <i>Ref-<a href="#">ELC0058-1</a>, component of <a href="#">600350</a></i> )
46	<a href="#">600309</a>	1	TSC-M Proofer Oven Controller Replacement Kit
	600546	1	PBC-M Proofer Oven Controller Replacement Kit
47	<a href="#">120026</a>	2	Handle, Guard Control
48	<a href="#">120061</a>	1	TSC Overlay, Touch Screen
	524403	1	PBC Overlay, Touch Screen
49	<a href="#">600373</a>	4	Kit, SSR & Heat Transfer Pad, TSC-6/18M
	<a href="#">600439</a>	1	Kit, Blower SSR, MOV Filter & Heat Transfer Pad, 220/240V, 50Hz, Int/CE Units
Not Shown	<a href="#">223824</a>	1	MOV Filter Assembly - International/CE Blower SSR
50	<a href="#">159092</a>	1	Fan, Muffin 29CFM, 230 VAC, 50/60 HZ
	<a href="#">512956</a>	1	Guard, Fan
	213359	4	Screw, #8-32 x 1/2" TR PH S/S
	<a href="#">10223500</a>	4	Nut, #8-32 SST
51	<a href="#">512880</a>	1	Breaker, Circuit, 3 Amp for Proofer Light Transformer
52	<a href="#">512765</a>	1	Thermostat, Hi-Limit
53	<a href="#">120001</a>	1	Terminal Block
54	<a href="#">502937</a>	2	Transformer 230V
	<a href="#">502840</a>	2	Transformer 208V
	<a href="#">600477</a>	1	Kit, TSC-M, CE Oven Light Transformer ( <i>Option for Ovens with Incoming Voltage above 230V</i> )
Not Shown	600384	1	Kit, Interlock External Hood TSC-M
55	<a href="#">156527</a>	1	Power Switch ( <i>208/230, 60 Hz Units</i> ) ( <i>Also used in 230/415V, 50Hz units prior to Serial #05186491</i> )
	<a href="#">169629</a>	1	Power Switch ( <i>230/415V, 50 Hz Units - Beginning with Serial #05186491</i> )
Not Shown	<a href="#">120102</a>	1	Fuse Holder, Mod Control, TSC ( <i>Located behind main power switch</i> )
Not Shown	<a href="#">120103</a>	2	Fuse, Mod Control, TSC ( <i>Located behind main power switch</i> )
Not Shown	<a href="#">120070</a>	1	Cover, Rear
Not Shown	<a href="#">512763</a>	1	Harness, Oven TSC
Not Shown	<a href="#">512764</a>	1	Harness, Proofer TSC
Not Shown	<a href="#">120031</a>	1	Harness, Control AC
Not Shown	<a href="#">120032</a>	1	Harness, Control Oven Heat
Not Shown	120140	1	Filter Assembly, CE, TSC-6/18M

**Table: PL-6 TSC-M & PBC-M Control Panel**

### TSC-M & PBC-M CONTROL PANEL COMPONENTS

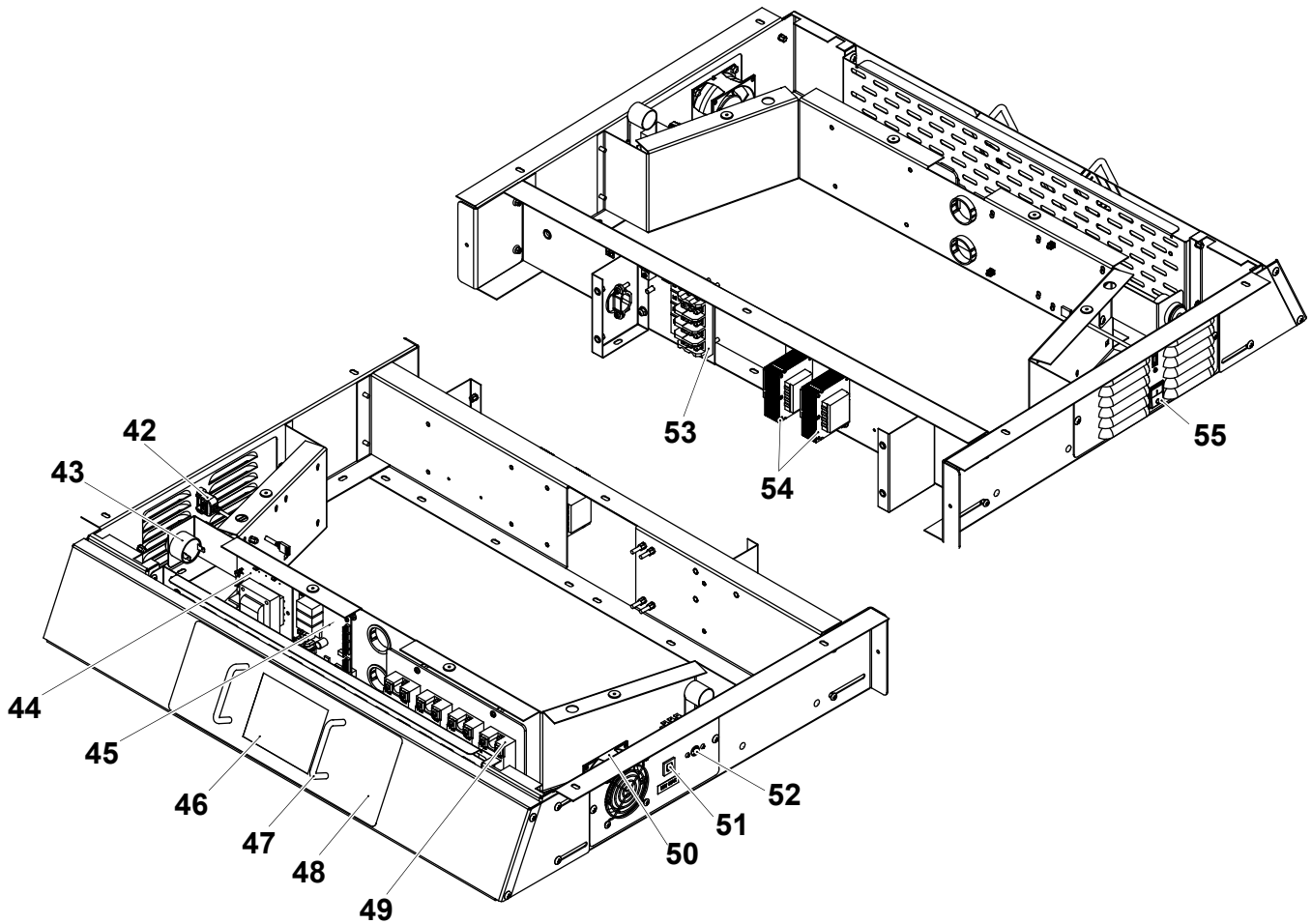


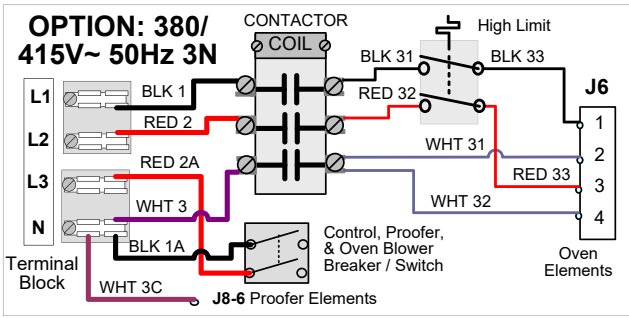
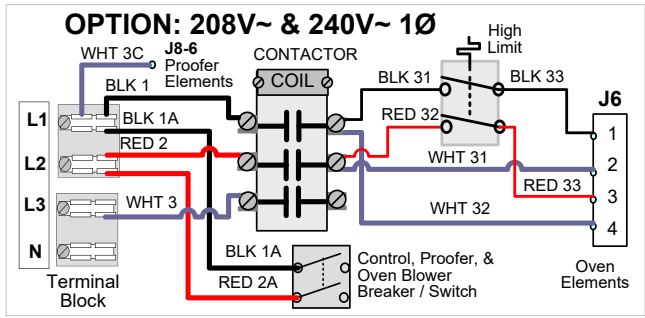
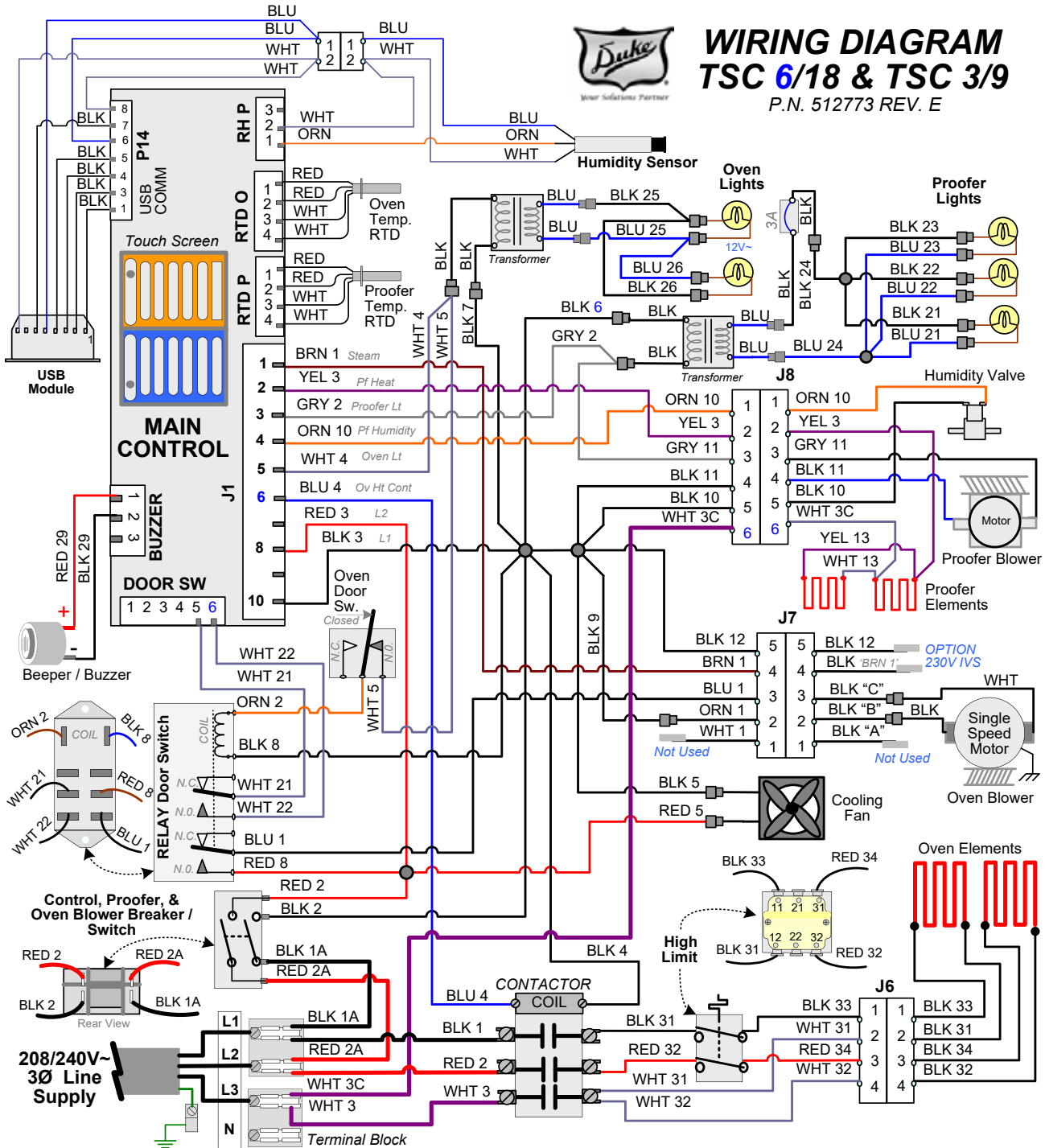
Figure: PL-6 TSC-M & PBC-M Control Panel



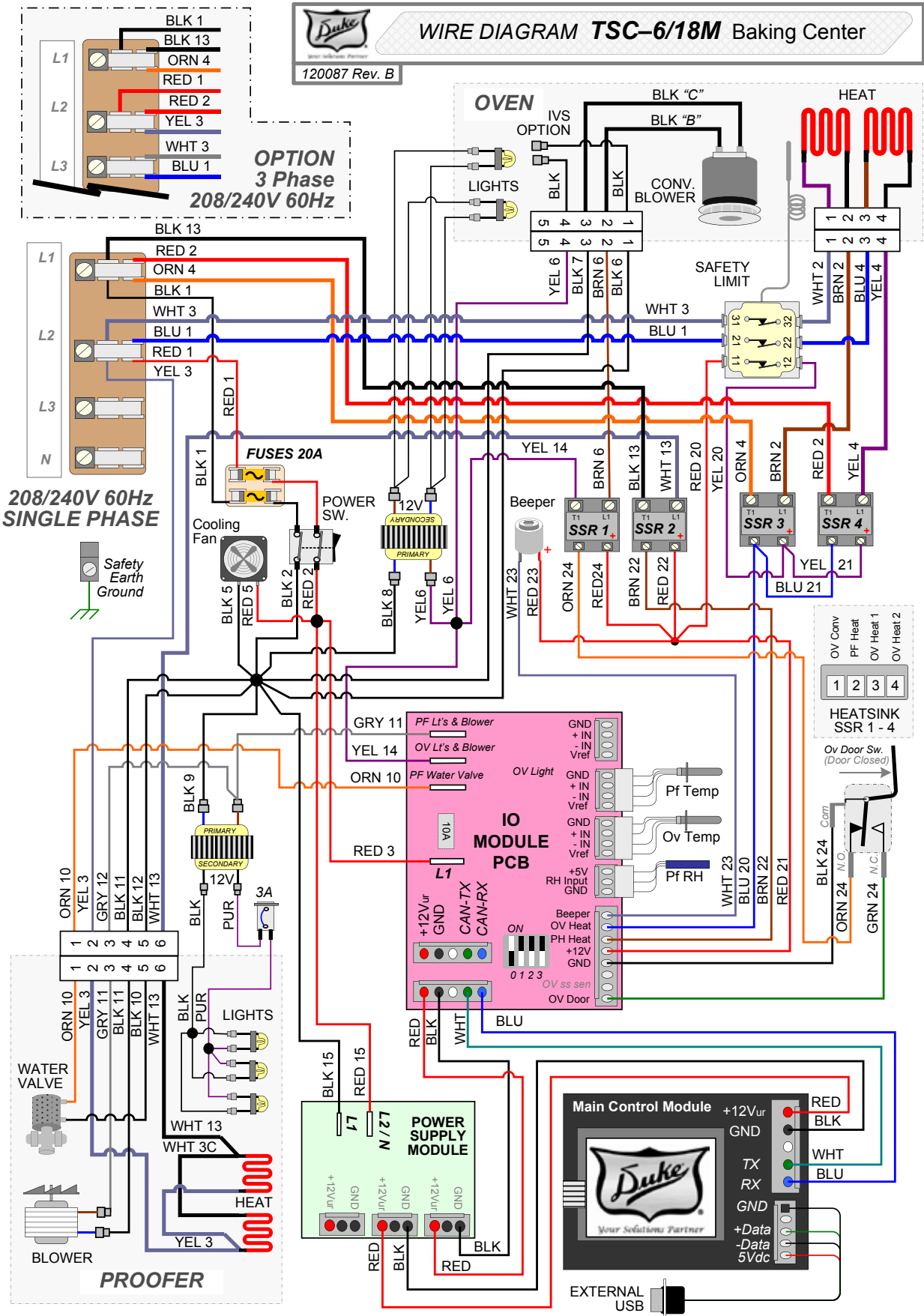
# WIRING DIAGRAM

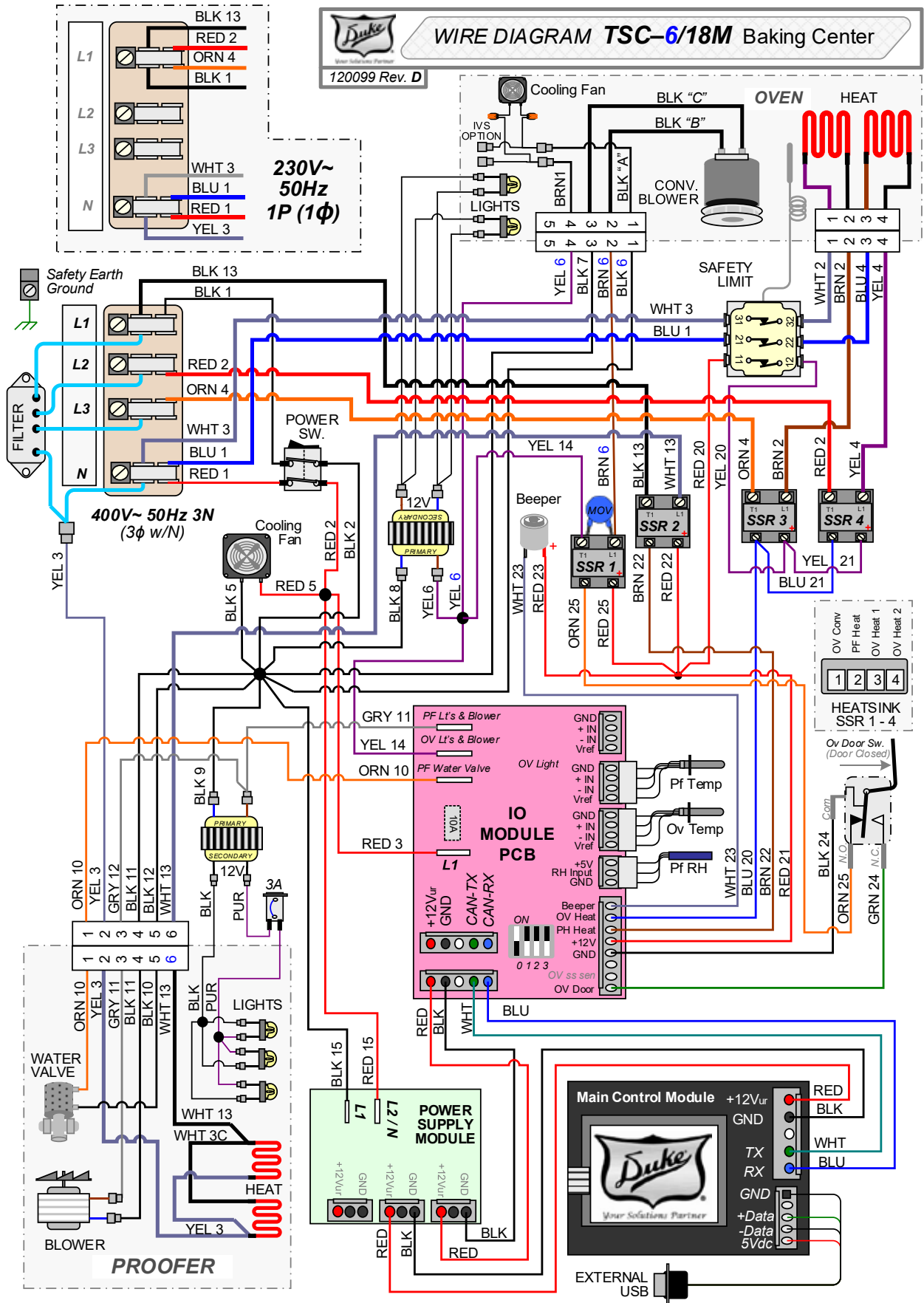
## TSC 6/18 & TSC 3/9

P.N. 512773 REV. E

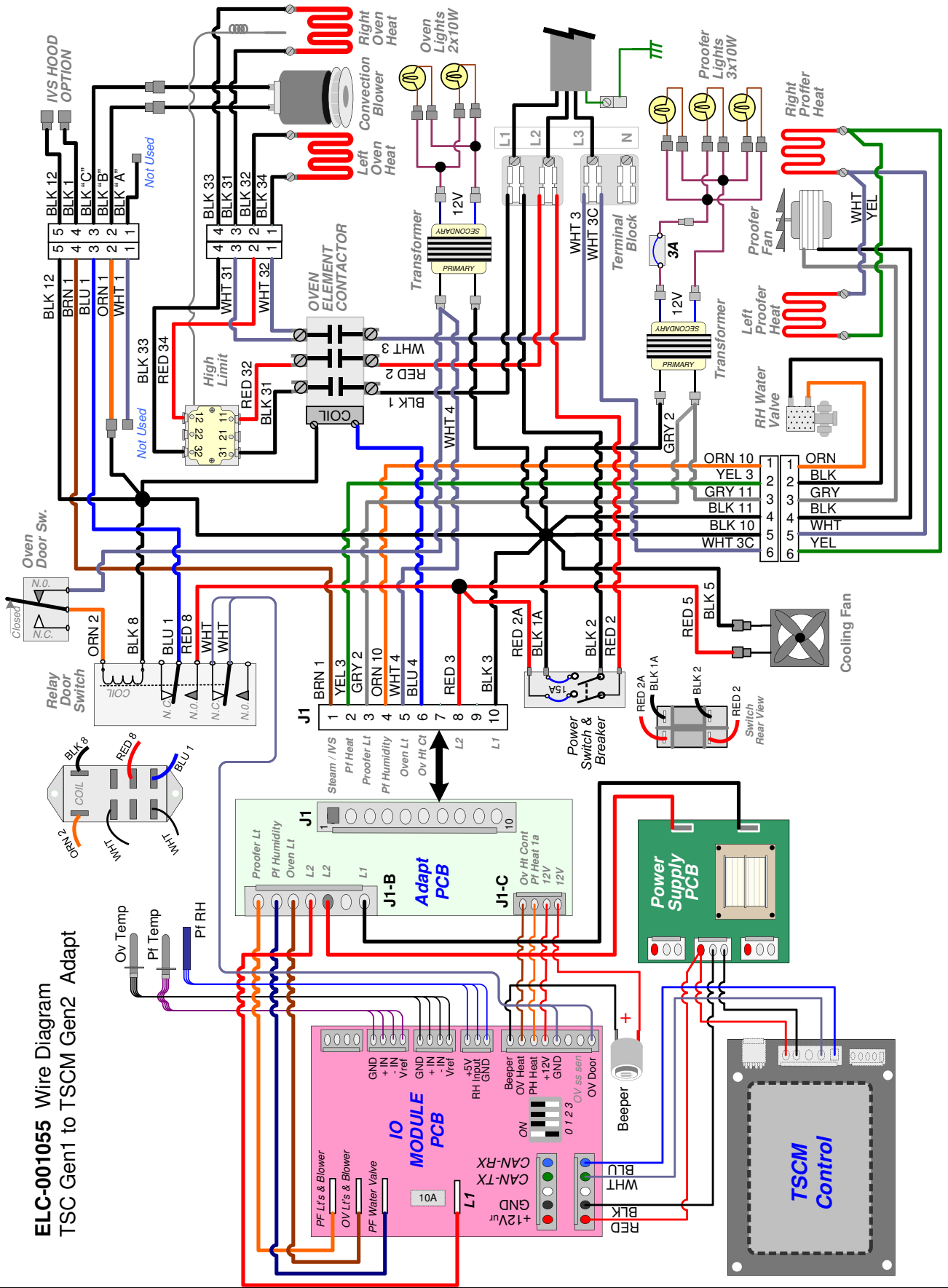








**ELC-001055** Wire Diagram  
TSC Gen1 to TSCM Gen2 Adapt





## **Duke Manufacturing Co.**

**2305 N. Broadway • St. Louis, MO 63102**

**800-735-3853 • 314-231-1130**

**Fax: 314-231-5074**

**[www.dukemfg.com](http://www.dukemfg.com)**