



*Your Solutions Partner*

## ***Flexible Batch Broiler Domestic Version***

### **MODELS:**

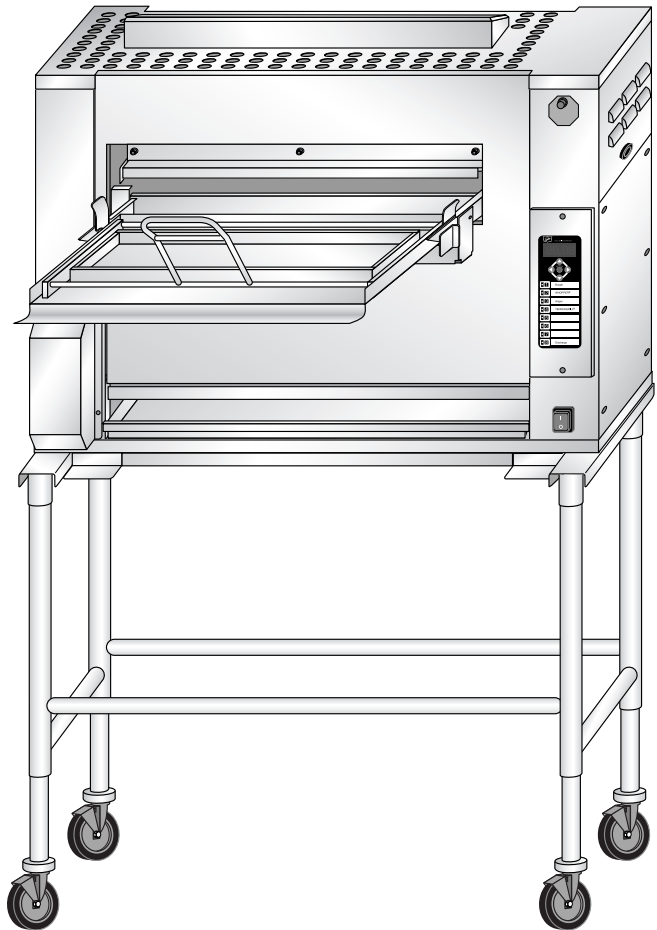
**FBB-NO-120**

**FBB-NC-120**

**FBB-PO-120**

**FBB-PC-120**

## ***Illustrated Parts List***



---

*This manual is Copyright © 2011 Duke Manufacturing Company. All rights reserved.  
Reproduction without written permission is prohibited. Duke is a registered  
trademark of the Duke Manufacturing Company.*

## **Duke Manufacturing Company**

**2305 N. Broadway  
St. Louis, MO 63102  
Phone: 314-231-1130  
Toll Free: 1-800-735-3853  
Fax: 314-231-5074  
[www.dukemfg.com](http://www.dukemfg.com)**

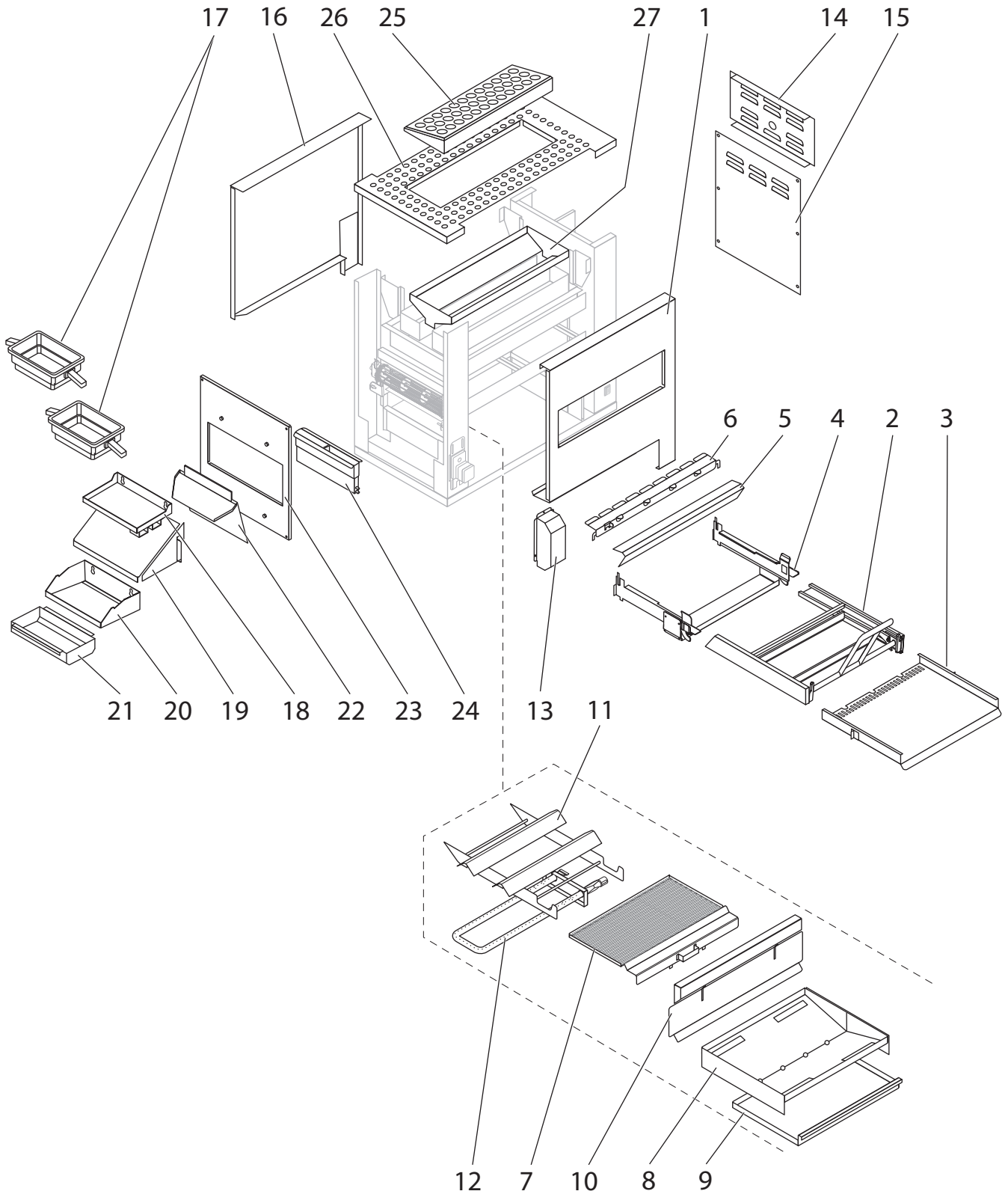


## TABLE OF CONTENTS

FBB COVERS, ACCESS PANELS AND PANS .....	4
COMPONENTS TOP, FRONT AND CONTROL SIDE .....	6
COMPONENTS REAR AND DISCHARGE SIDE.....	10
STAND COMPONENTS.....	12

**FLEXIBLE BATCH BROILER – DOMESTIC VERSION**  
**MODELS FBB-NO-120, FBB-NC-120, FBB-PO-120, FBB-PC-120**

Location	Part Number	Description	Quantity
1	175300	Front Panel	1
2	175444	Loader	1
3	175430	Loader Tray	1
4	175438	Loader Mounting Bracket	1
5	175429	Door	1
6	175741	Loader Ramp	1
7	175293	Flame Arrestor	1
8	175325	“V” Grease Pan	1
9	175329	Main Grease Pan	1
10	175351	Panel, Lower “J” Burner	1
11	175200	Burner Shield	1
12	175505	Burner, Tube, J Style	1
	175865	Burner, Tube, J Style (High Altitude) - (Adjustable Air Shutter)	1
13	175177	Motor Cover, Conveyor Drive Motor	1
14	175392	Panel, Right Side Upper Lift Off	1
15	175383	Panel, Access Electrical LWB	1
16	175305	Rear Access Panel	1
17	155695	Pan, PHU	A/R
18	175363	PHU Pan Shelf	1
19	175778	Discharge Hood	1
20	175358	Discharge Pan	1
21	175357	Side, Grease Pan	1
22	175340	Discharge Chute	1
23	175250	Panel, Access Discharge	1
24	175150	Pivot Ash Scraper	1
25	175226	Impedance Pan (No Optional Catalyst)	1
	175480	Catalyst, Optional (NOT SHOWN)	1
	175482	Catalyst Guard, Required With Catalyst (NOT SHOWN)	1
26	175221	Body Top	1
27	175225	Weldment, Upper Flue	1
Not Shown	175838	Weldment, Lower Flue	1



**Figure: PL-1 Exploded View FBB Covers, Access Panels and Pans**

**FLEXIBLE BATCH BROILER – DOMESTIC VERSION**  
**MODELS FBB-NO-120, FBB-NC-120, FBB-PO-120, FBB-PC-120**

Location	Part Number	Description	Quantity
28	175066	Burner, Mounting Bracket	2
29	175504	Burner, Infrared	2
30	175506	Motor, Conveyor Drive	1
31	175176	Mounting Bracket, Conveyor Drive Motor	1
32	175517	Sprocket, B21 × 3/8 Motor	1
33	175519	Light, Cook	1
34	175503	Switch, Main Power	1
35	175536	Igniter	3
36	175086	Shaft Plate, Right Side	2
37	175525	Bushing Block, Conveyor	4
38	175038	Conveyor Shaft, Right Side	1
39	175356	Frame, Control Board Mounting Bezel	1
40	175575	Control Board	1
41	175510	Gasket, Control Bezel	1
42	175538	Ignition Suppression Cable, Lower Ignition Module	1
43	175507	Capacitor, Motor, Conveyor	1
44	175508	Ignition Module, Lower J Burner (NATURAL GAS ONLY)	1
	175770	CE Ignition Module, Natural Gas, substitute for 175508	1
	175843	Ignition Module, Lower J Burner (PROPANE ONLY)	1
	175822	CE Ignition Module, Propane Gas, substitute for 175843	1
45	175509	Ignition Module, Upper Burners	1
46	175526	Transformer, 40VA, 120VAC 24VAC	2
47	165870	Relay, Solid State	2
48	175537	Ignition Suppression Cable, Upper Ignition Module	2
49	175553	Connect Block, 3 Wire	1
50	175531	Valve, Natural Gas Combo 120VAC (Natural Gas Only)	1
	175920	Valve, LP-Gas Combo 120VAC (LP Gas Only)	1
51	175540	Brass Fitting Gas Valve to Burner Supply Tube	2
52	175545	Orifice, Holder, 3/8" Comp. Straight × Bulkhead	1
53	175823	Orifice, Lower Burner, #31 (Natural Gas)	1
	175737	Orifice, Lower Burner, #49 (Propane Gas)	1
54	175511	Gasket, Blower Inlet	1
55	175524	Blower, Dayton 60Hz 115VAC	1
Not Shown	175360	.036 Conveyor Shim	A/R
Not Shown	175727	.060 Conveyor Shim	A/R

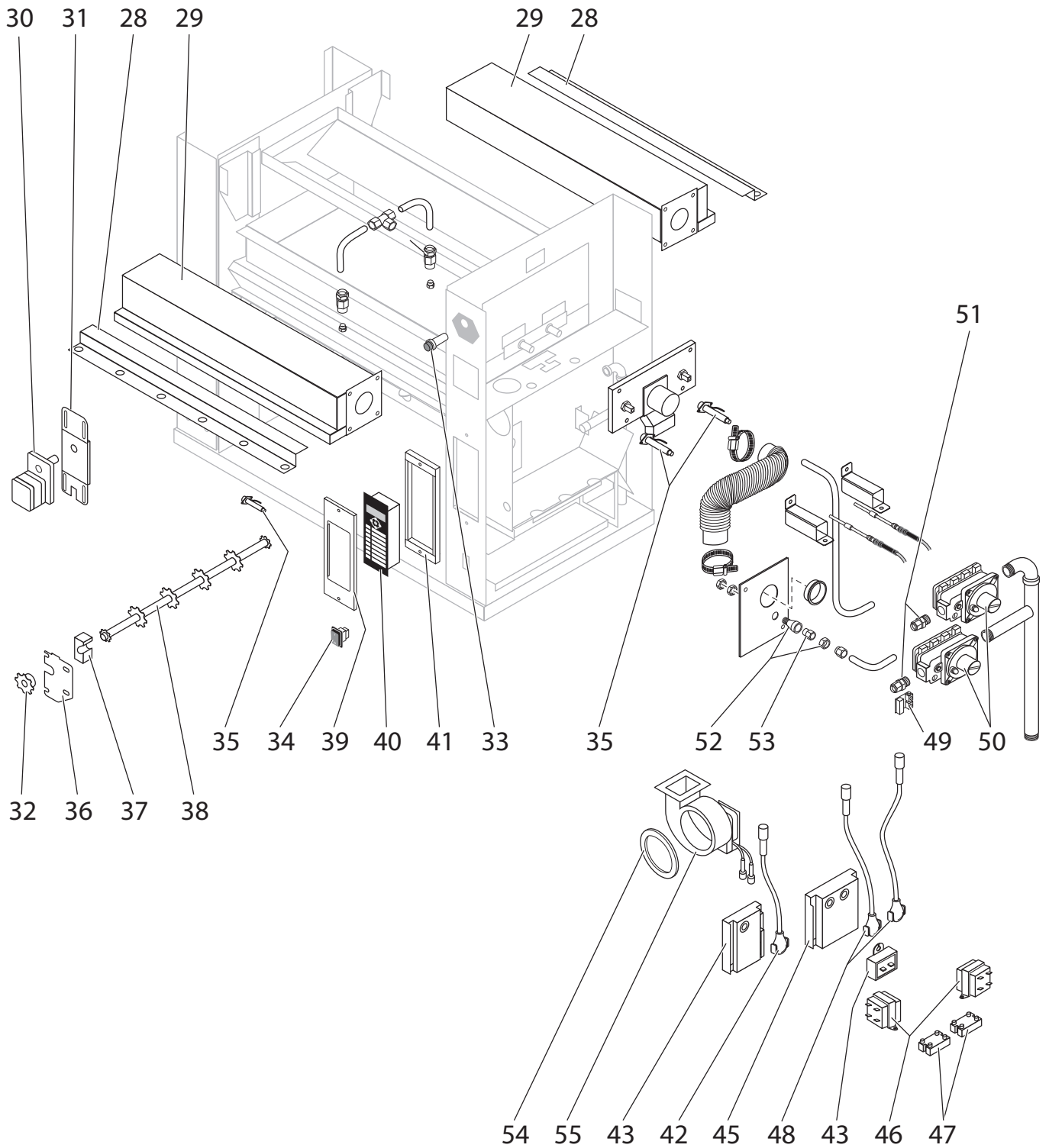


Figure: PL-2 Exploded View Components – Top, Front and Electrical Compartment Side

**FLEXIBLE BATCH BROILER – DOMESTIC VERSION  
MODELS FBB-NO-120, FBB-NC-120, FBB-PO-120, FBB-PC-120**

<b>Location</b>	<b>Part Number</b>	<b>Description</b>	<b>Quantity</b>
56	<a href="#">175380</a>	Shield, Ignition Cable	2
57	<a href="#">175477</a>	Tubing, Tee to Valve, Kit	1
58	<a href="#">175535</a>	Sensor, IR Burner	2
59	<a href="#">175549</a>	Hose Clamp	2
	<a href="#">175197</a>	High Temperature Tape (Not Shown in Drawing)	2
60	<a href="#">175189</a>	Hose, Blower	1
61	<a href="#">175108</a>	Blower Box Cover	1
62	<a href="#">175476</a>	Tubing Tee to IR Kit	2
63	<a href="#">175541</a>	Tee, Compression Fitting	1
64	<a href="#">175542</a>	Orifice, Holder IR Burners Orifice, Holder Only, IR Burners (Additional Parts: <a href="#">175547</a> 3/8" Sleeve & <a href="#">175548</a> 3/8" Nut)	2
65	<a href="#">175735</a>	Orifice, IR Front Burner #40 (NATURAL GAS)	1
	<a href="#">175767</a>	Orifice, IR Front Burner #52 (PROPANE GAS)	1
66	<a href="#">175736</a>	Orifice, IR Rear Burner #36 (NATURAL GAS)	1
	<a href="#">175768</a>	Orifice, IR Rear Burner #51 (PROPANE GAS)	1
67	<a href="#">175478</a>	Tubing, Lower Burner to Valve, Kit	1
	<a href="#">175612</a>	Kit, LP Gas Conversion (NOT SHOWN)	1
68	<a href="#">175514</a>	Bushing, Heyco, Shorty 1"	1
69	<a href="#">175376</a>	Plate, Orifice Holder	1
70	<a href="#">175546</a>	Jam Nut, Orifice Holder, Lower	2
71	<a href="#">175571</a>	Piping, Gas Manifold	1
Not Shown	<a href="#">175656</a>	Power Cord, Black Cable - Orange Plug	1
Not Shown	<a href="#">175607</a>	Low Voltage Wire Harness Assembly	1



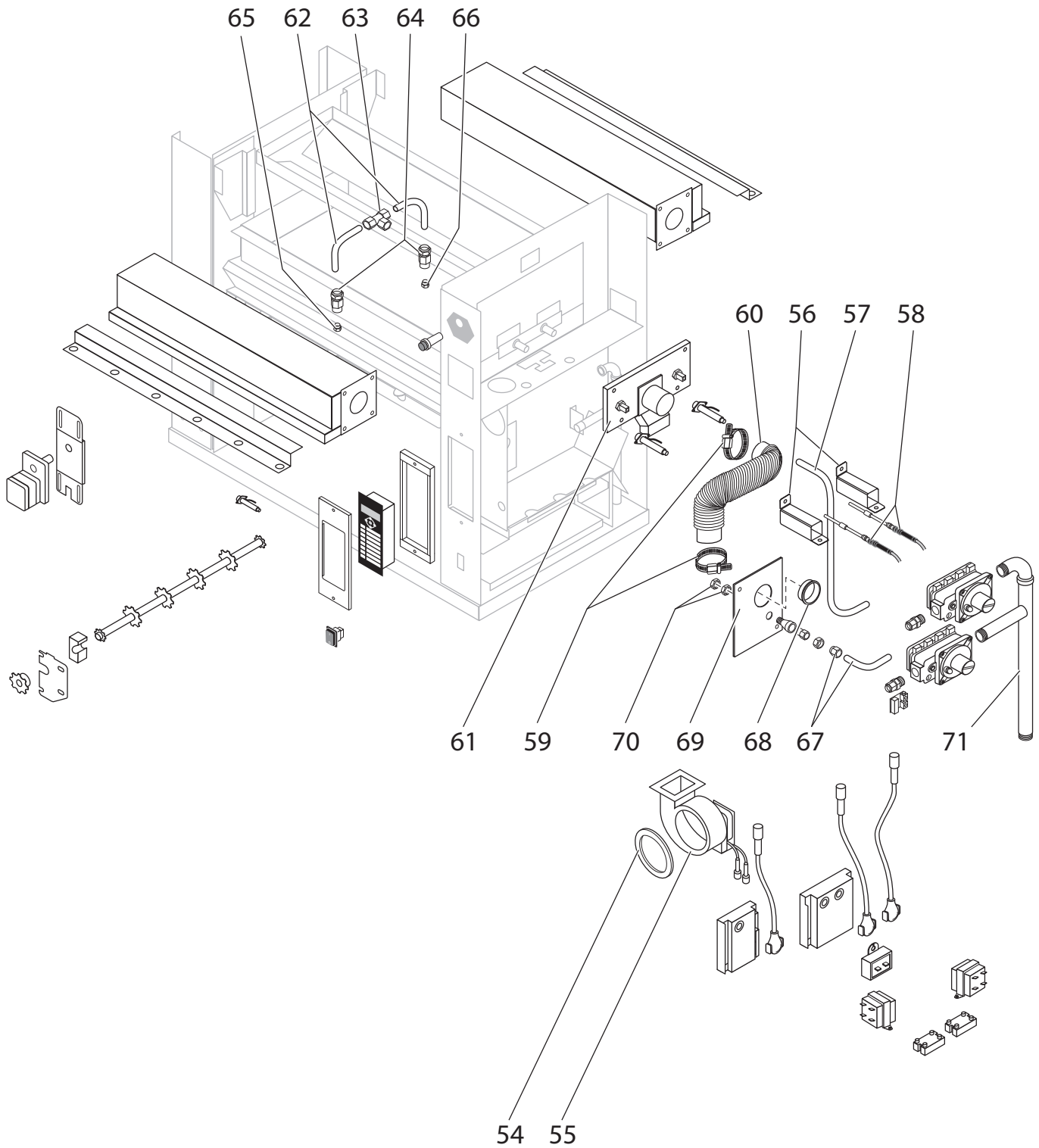
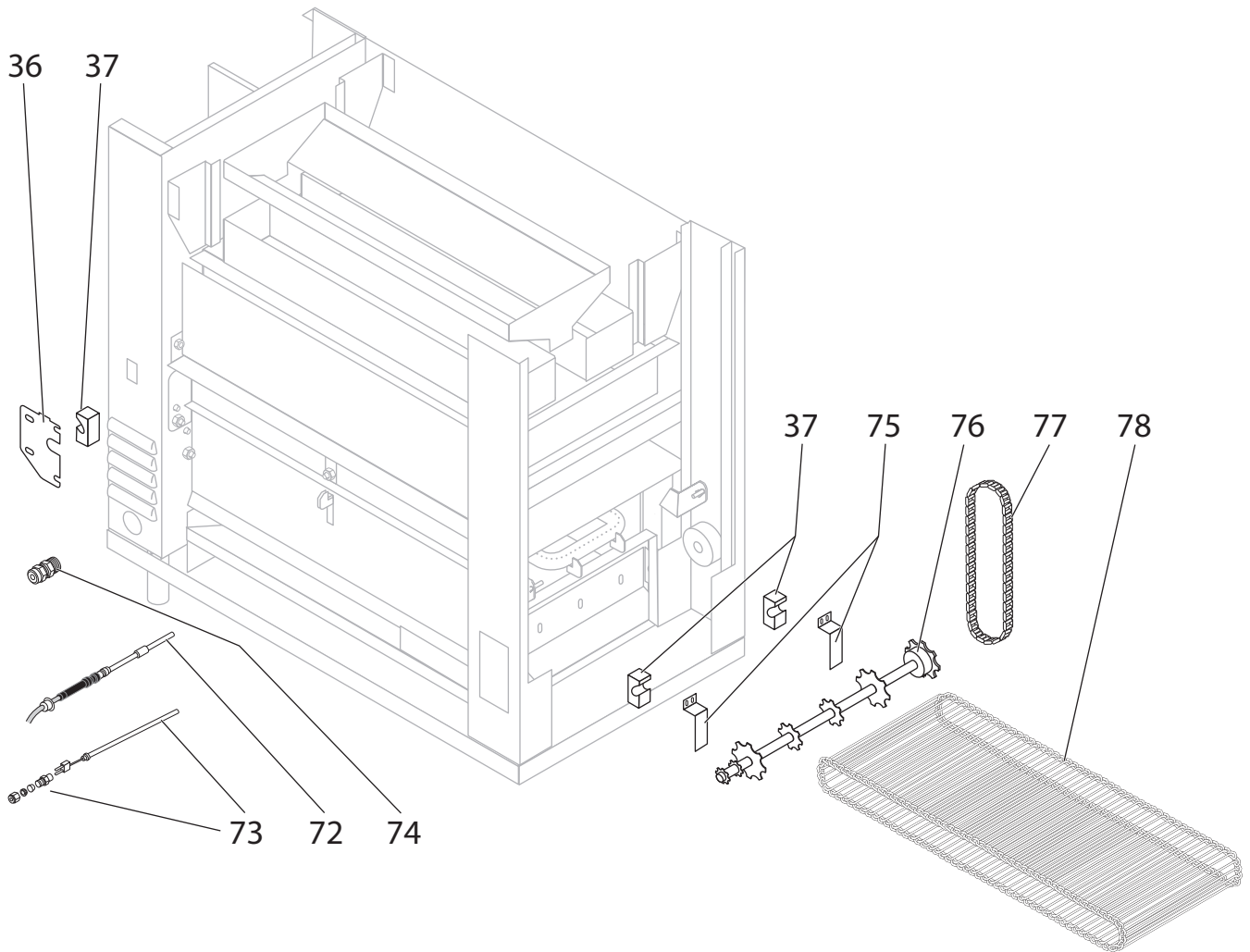


Figure: PL-3 Exploded View Components – Top, Front and Electrical Compartment Side

**FLEXIBLE BATCH BROILER – DOMESTIC VERSION  
MODELS FBB-NO-120, FBB-NC-120, FBB-PO-120, FBB-PC-120**

<b>Location</b>	<b>Part Number</b>	<b>Description</b>	<b>Quantity</b>
36	<a href="#">175086</a>	Shaft Plate, Right Side	2
37	<a href="#">175525</a>	Bushing Block, Conveyor	4
72	<a href="#">175534</a>	Sensor, Lower Burner	1
73	<a href="#">175977</a>	Kit, Temperature Probe	1
74	<a href="#">175515</a>	Strain Relief, Power Cord	1
75	<a href="#">175022</a>	Conveyor, Bushing Block Mounting Bracket, Left Side	2
76	<a href="#">175037</a>	Shaft, Discharge Side	1
77	<a href="#">175551</a>	Chain, Drive	1
78	<a href="#">175674</a>	Chain, Cook Conveyor	1



**Figure: PL-4 Exploded View Components – Rear and Discharge Side**

**FLEXIBLE BATCH BROILER – DOMESTIC VERSION  
MODELS FBB-NO-120, FBB-NC-120, FBB-PO-120, FBB-PC-120**

<b>Location</b>	<b>Part Number</b>	<b>Description</b>	<b>Quantity</b>
79	<a href="#">175748</a>	Bracket, Sanitation Pail	1
80	<a href="#">175842</a>	Sanitation Pail, Red	1
81	<a href="#">175461</a>	Weldment, Broiler Stand	1
82	<a href="#">175570</a>	Gas Piping Kit	1
83	<a href="#">175565</a>	U-Bolt	2
84	<a href="#">175563</a>	Casters, Swivel, Non Braking	2
85	<a href="#">175562</a>	Casters, Swivel With Brake	2
86	<a href="#">175485</a>	Tube Burner Cleaning Tool	1
87	<a href="#">175705</a>	Brush, Flame Rod Tube Cleaner	1
88	<a href="#">175701</a>	Flame Rod Tube Cleaner	1
89	<a href="#">0220750</a>	Nut, Acorn 1/4" × 20-3	4
90	<a href="#">175459</a>	Saddle, U-Bolt	2
91	175618	Label, Re-lighting Instructions	1
92	175468	5/16 - 18 X 3/4 Button Head Screw	8

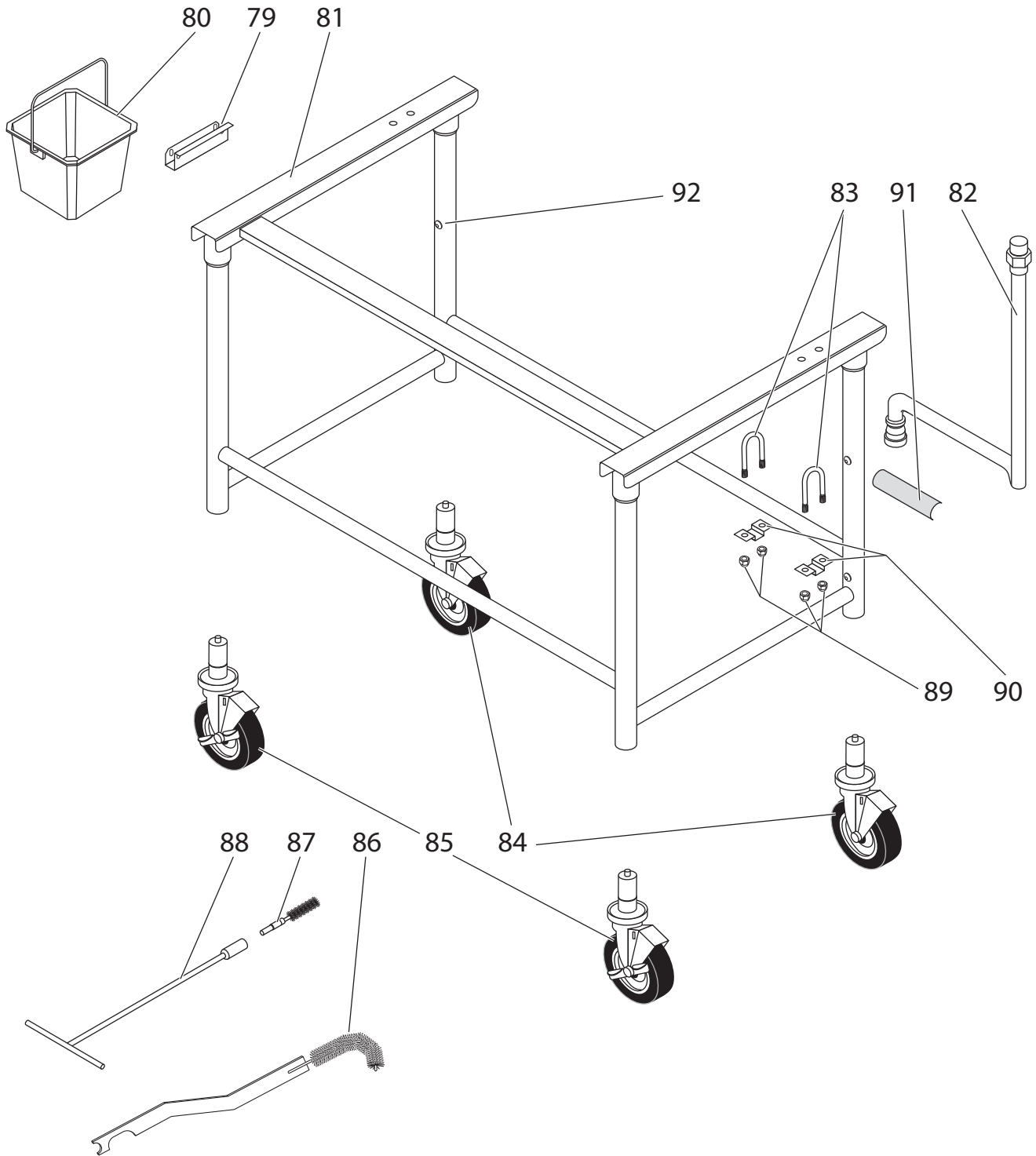


Figure: PL-5 Exploded View Components – Stand

## NOTES

## CUSTOMER ASSISTANCE

To aid in reporting this unit in case of loss or theft, please record below the model number and serial number located on the unit. We also suggest you record all the information listed and retain for future reference.

MODEL NUMBER _____	SERIAL NUMBER _____
DATE OF PURCHASE _____	
DEALER _____	TELEPHONE _____
SERVICER _____	TELEPHONE _____

### NORTH AMERICA & LATIN AMERICA

Duke Manufacturing Company  
2305 N. Broadway  
St. Louis, MO 63102  
Phone: 314-231-1130  
Toll Free: 1-800-735-3853  
Fax: 314-231-5074

### UK & IRELAND

Duke Mfg UK  
Duke House  
Unit 10, Greendale Business Park  
Woodbury Salterton  
Exeter  
Devon - UK EX5 1EW  
Tel: 01395 234140  
FAX: 01395 234154

### CONTINENTAL EUROPE

Duke Manufacturing C.R. s.r.o.  
Prologis Park D1 West  
Building 4  
Zdebradska 92  
Ricany-Jazlovice, 251 01  
Czech Republic  
Phone: 42 (0) 257-741-033  
Fax: 42 (0) 257-741-039

### ASIA

Duke Food Service Equipment  
(shanghai) Company Limited  
1F, Building #17-2  
658 Nong Jin Zhong Road  
Shanghai, China 200335  
Tel: +86 21 6876 9272  
Fax: +86 21 33600628

**TO ACCESS INTERNET: [www.dukemfg.com](http://www.dukemfg.com)**

Please provide the following information when you write or call: model number, serial number, date of purchase, your complete mailing address (including zip code), and description of the problem.



*Your Solutions Partner*

## **Duke Manufacturing Co.**

**2305 N. Broadway  
St. Louis, MO 63102  
Phone: 314-231-1130  
Toll Free: 1-800-735-3853  
Fax: 314-231-5074  
www.dukemfg.com**

### **EU Headquarter Office**

**Duke Manufacturing C.R. s.r.o.  
Prologis Park D1 West  
Building 4  
Zdebradska 92  
Ricansy-Jazlovice, 251 01  
Czech Republic  
Phone: 42 (0) 257-741-033  
Fax: 42 (0) 257-741-039**

### **Duke Mfg UK**

**Duke House  
Unit 10, Greendale Business Park  
Woodbury Salterton  
Exeter  
Devon - UK EX5 1EW  
Tel: +44 (0) 1395 234140  
FAX: +44 (0) 1395 234154**

### **Asia Office**

**Duke Food Service Equipment (shanghai) Company Limited  
1F, Building #17-2, 658 Nong Jin Zhong Road  
Shanghai, China 200335  
Tel: +86 21 6876 9272  
Fax: +86 21 33600628**