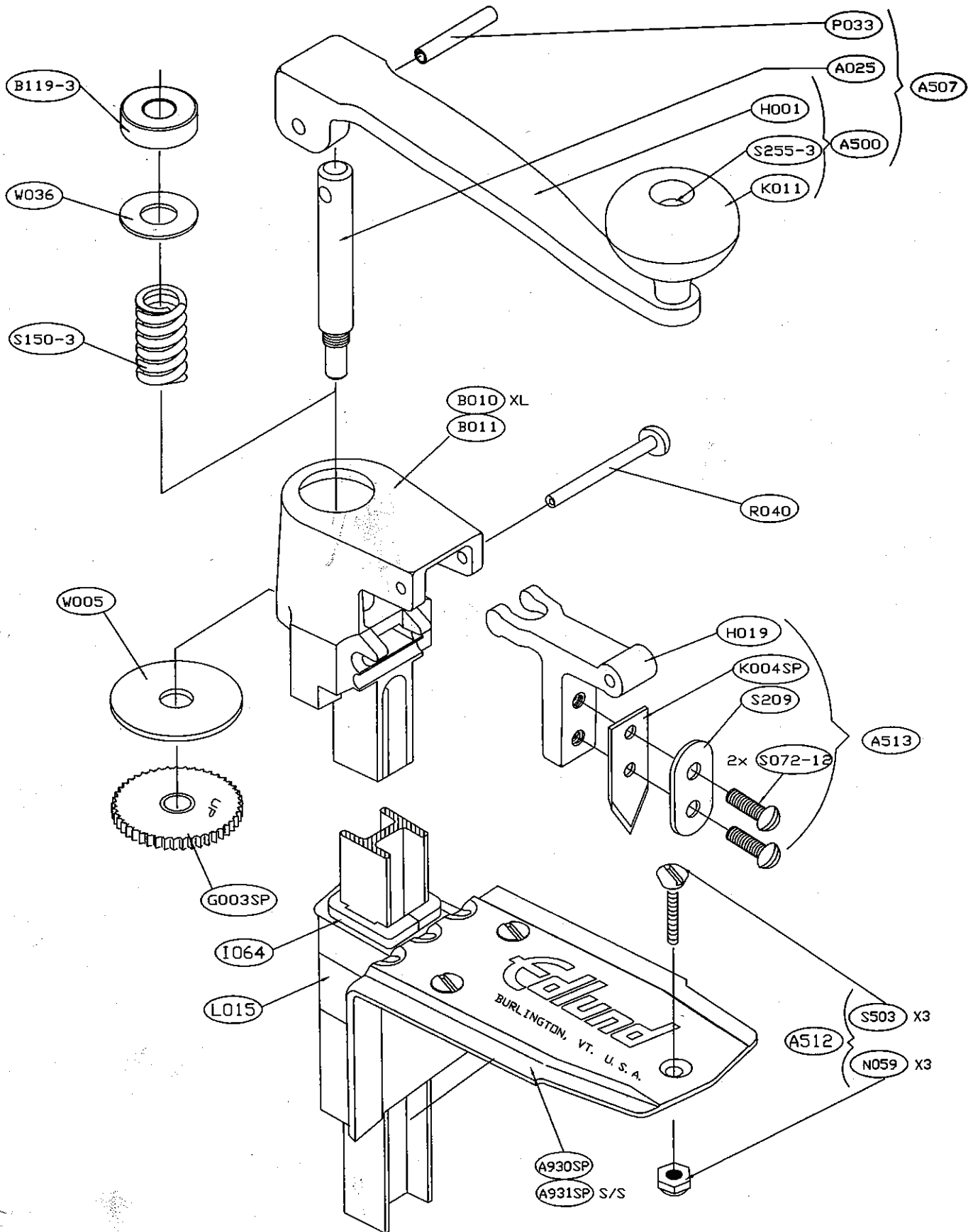


# #1 CAN OPENER



# #1 CAN OPENER

| PART #  | LIST PRICE | U/M  | DESCRIPTION   |
|---------|------------|------|---|
| A025    | 7.00       | EA.  | ARBOR, #1   |
| A500    | 16.50      | EA.  | ASSEMBLY, #1 HANDLE & KNOB                              |
| A503SP  | 45.00      | EA.  | ASSEMBLY, #1 CAST IRON BASE                             |
| A507    | 24.50      | EA.  | ASSEMBLY, #1 HANDLE/ARBOR                               |
| A512    | 2.00       | EA.  | BASE HARDWARE PKG., #1/#2/#8/#G-2/#U-12 (3-S503&3-N059) |
| A513    | 11.50      | EA.  | ASSEMBLY, #1 KNIFEHOLDER                                |
| A5191   | 23.50      | EA.  | ASSEMBLY, #1/#2 SPRING RELEASE CLAMP                    |
| A930SP  | 17.00      | EA.  | ASSEMBLY, #1 CRS (MILD STEEL) BASE W/INSERTS            |
| A931SP  | 32.00      | EA.  | ASSEMBLY, #1 STAINLESS STEEL BASE W/INSERTS             |
| B010    | 68.00      | EA.  | BAR, #1 SLIDE XL (CASTING ONLY)                         |
| B011    | 45.50      | EA.  | BAR, #1 SLIDE (CASTING ONLY)                            |
| B119-3  | 12.00      | PKG. | BUSHING, #1, 3 PACK                                     |
| G003M   | 269.00     | BOX  | GEAR, #1 24 PKG.  |
| G003SP  | 12.25      | PKG. | GEAR, #1 SINGLE PACK                                    |
| H001    | 14.00      | EA.  | HANDLE, #1 C.O.   |
| H019    | 6.75       | EA.  | HOLDER, #1 KNIFE  |
| I064    | 4.00       | PAIR | INSERTS, #1 UNIVERSAL BASE (1 PAIR)                     |
| K004M   | 86.00      | BOX  | KNIFE, #1 24 PKG.                                       |
| K004SP  | 3.85       | PKG. | KNIFE, #1 SINGLE PACK                                   |
| K011    | 2.00       | EA.  | KNOB, BLACK #1/#2/#8                                    |
| P033    | .50        | EA.  | PIN, ROLL, 7/32 X 1-3/8 PLATED                          |
| R040    | .60        | EA.  | RIVET, #1/#8 KNIFEHOLDER, .247X1-5/8                    |
| S072-12 | 6.00       | PKG. | SCREW, #1/#2, 12-24 X 7/16 RHM, 12 PACK                 |
| S150-3  | 4.50       | EA.  | SPRING, #1, 3 PACK                                      |
| S255-3  | 3.00       | PKG. | STUD, #1/#2/#8/U-12/G-2 KNOB, 3 PACK                    |
| S209    | 1.00       | EA.  | SUPPORT, KNIFE  |
| W005    | 1.00       | EA.  | WASHER, #1 GEAR   |
| W036    | .50        | EA.  | WASHER, #1 SPRING                                       |