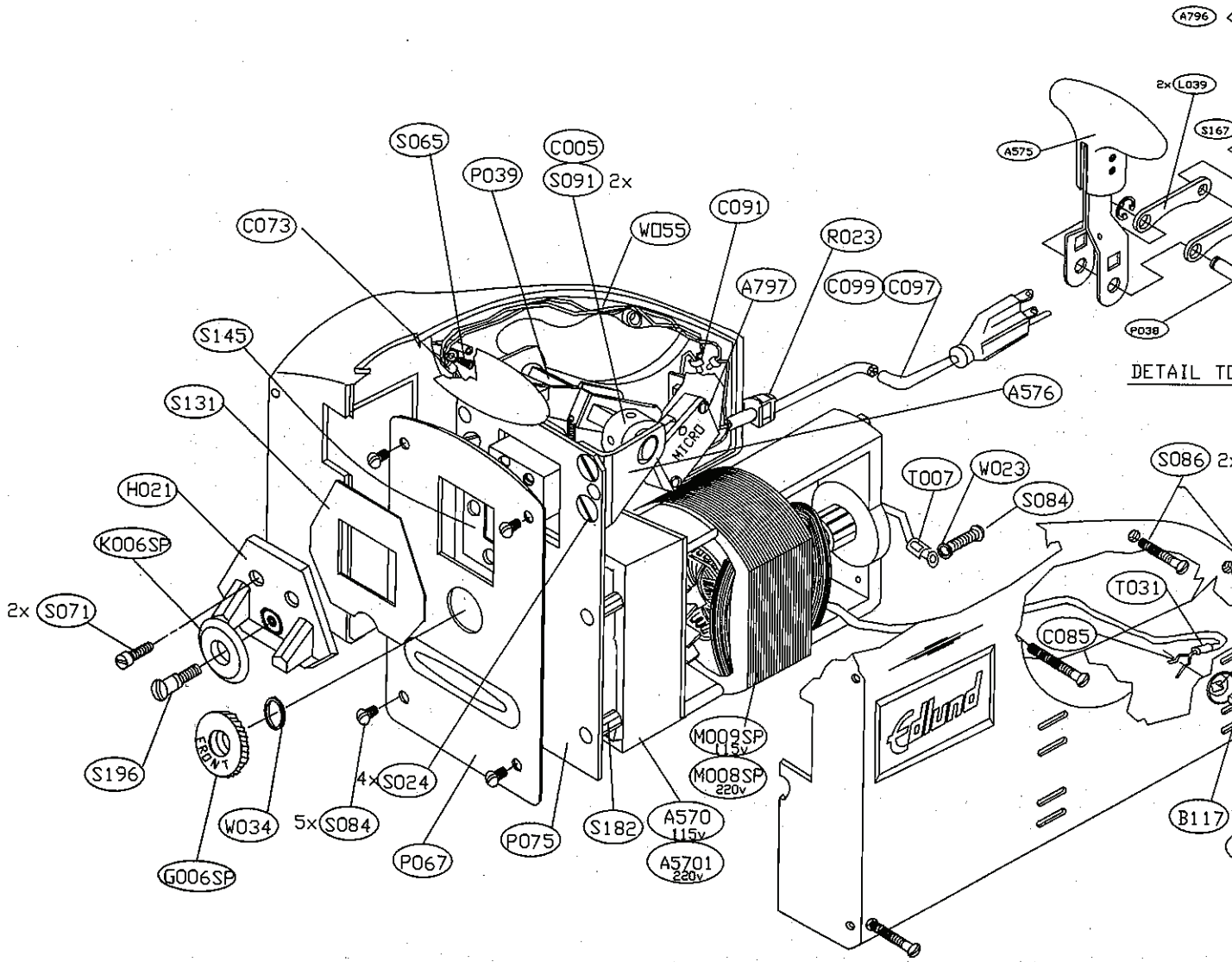


#201 ELECTRIC CAN OPENER

PART #	LIST PRICE	U/M	DESCRIPTION
A570	338.50	EA.	ASSEMBLY, #201 GEAR TRAIN/MOTOR 115V
A5701	362.00	EA.	ASSEMBLY, #201 GEAR TRAIN/MOTOR 230V
A571	68.50	EA.	ASSEMBLY, #201 TOGGLE & SLIDE PLATE
A572	14.00	EA.	ASSEMBLY, #201/#270 1ST GEAR AND PINION
A573	15.00	EA.	ASSEMBLY, #201/#270 2ND GEAR AND PINION
A574	18.50	EA.	ASSEMBLY, #201 OUTPUT SHAFT & GEAR
A575	28.50	EA.	ASSEMBLY, #201 TOGGLE
A576	9.00	EA.	ASSEMBLY, #201 TOGGLE BRACKET
A598	20.00	EA.	ASSEMBLY, #201 FRONT GEAR PLATE
A599	11.50	EA.	ASSEMBLY, #201 REAR GEAR PLATE
A622	6.00	EA.	WELDMENT, #201 TOGGLE HANDLE
A791	105.50	EA.	ASSEMBLY, #201 L&R HOUSING/BRUSHHOLDER
A793	182.00	EA.	ASSEMBLY, #201 115V MOTOR WITH CLIPS
A7931	190.00	EA.	ASSEMBLY, #201 230V MOTOR WITH CLIPS
A795	57.00	EA.	ASSEMBLY, #201 HOUSING PLATE
A796	21.50	EA.	ASSEMBLY, #201 SPRING BLOCK
A797	26.50	EA.	ASSEMBLY, #201 SWITCH BRACKET
B027	15.00	EA.	BEARING, BALL, #350/#201, 1615 S/S
B029	5.00	EA.	BEARING, BRONZE, B710-1/8
B030	4.50	EA.	BEARING, #201 BRONZE, (OUTPUT)
B032	1.00	EA.	BEARING, 1ST, #201/#266/#203
B040	1.00	EA.	BEARING, 2ND, #201/#266/#203
B056	18.00	EA.	BLOCK, #201 SPRING
B106	2.00	EA.	BRACKET, #201 SWITCH MOUNTING
B116	43.00	EA.	BREAKER, CANADIAN CIRCUIT
B117	3.00	EA.	BRUSH, MOTOR (2 REQ)
C005	10.00	EA.	CAM, #201 SWITCH ACTUATING
C006	2.00	EA.	CAP, #201 BRUSH, A64, BLACK PNEOLIC
C073	.50	EA.	CLAMP, #201/#395 CABLE
C085	1.00	EA.	CLIP, #201 SPRING
C086	45.00	EA.	COIL, 115V FOR MOTOR REPAIR
C087	45.00	EA.	COIL, 230V FOR MOTOR REPAIR
C091	.50	EA.	CONNECTOR, #201/#203/#266/#270 LEAD S11
C097	17.00	EA.	CORD, CANADIAN SET
C099	10.50	EA.	CORD SET, REGULAR 7', 18/3 GRAY
G006M	107.00	PKG.	GEAR, #201/#266/#203 24 MASTER PACK
G006SP	4.90	EA.	GEAR, #201/#266/#203 SINGLE PACK
H018	7.00	EA.	HOLDER, #201 BRUSH
H021	17.25	EA.	HOLDER, #201/#266/#203, KNIFE
I004	8.00	EA.	INSULATOR, SWITCH PAD
K006M	107.00	PKG.	KNIFE, #201/#266/#203 24 MASTER PACK
K006SP	4.90	EA.	KNIFE, #201/#266/#203 SINGLE PACK
K012	23.00	EA.	KNOB, #201/#266/#203
L003	1.50	EA.	LABEL, "CAUTION...CLEAN CASE"
L009	.50	EA.	LABEL, ECO "IMPORTANT - CUTTING"

Continued on page 1.



#201 ELECTRIC CAN OPENER

Continued from page 13

PART #	LIST PRICE	U/M	DESCRIPTION
L039	2.00	EA.	LINK, #201 TOGGLE
M008SP	176.00	EA.	MOTOR, #201 230V
M009SP	176.00	EA.	MOTOR, #201 115V
N023	.50	EA.	NUT, HEX 8-32
N035	.50	EA.	NUT, 3/8-24 PLATED HEX
P017	3.50	EA.	PIN, #201 KNUURL
P029	.50	EA.	PIN, ROLL, 1/8 X 9/16 S/S
P038	4.00	EA.	PIN, #201 TOGGLE LINK
P039	6.50	EA.	PIN, #201 TOGGLE
P067	6.00	EA.	PLATE, #201 FACE
P073	6.00	EA.	PLATE, #201 GEAR TRAIN TO MOTOR
P075	7.50	EA.	PLATE, #201 HOUSING
P078	6.00	EA.	PLATE, #201 KNIFEHOLDER
P105	1.00	EA.	PLATE, #201 RATING 115V
P110	1.00	EA.	PLATE, #201 SERIAL NUMBER
R023	1.00	EA.	RELIEF, ELECTRIC STRAIN
R029	1.00	EA.	RING, #201 RETAINING #1000-25
R042	.50	EA.	RIVET, AB 32A
S024	.50	EA.	SCREW, 8-32 X 3/8 FLAT UNDERCUT PLATED
S065	.50	EA.	SCREW, 8-32 X 1/2 PLATED RH SELF-TAP SS
S071-12	6.00	PKG.	SCREW, 10-32 X 7/16 RHM, PLATED, 12 PACK
S081	.50	EA.	SCREW, 8-32 X 1-5/8 PLATED RHM
S084	.50	EA.	SCREW, 8-32 X 5/16 S/S RHM
S086	.50	EA.	SCREW, 8-32 X 5/8 RHM
S091	.50	EA.	SCREW, 8-32 X 3/16 PLATED SET
S131	3.50	EA.	SKIRT, #201 KNIFEHOLDER
S145	.50	EA.	SPACER, #201/#266/#203 KNIFEHOLDER
S146	3.00	EA.	SPACER, #201 LINK
S158	2.00	EA.	SPRING, #201/#266/#203/#270/#350 BRUSH (2 REQ)
S161	2.00	EA.	SPRING, #201/#266/#203 BLOCK
S165	3.50	EA.	SPRING, #201/#270 OUTPUT WB3870
S167	1.00	EA.	SPRING, #201/#266/#203 TENSION
S181	3.50	EA.	STANDOFF, #201 GEAR TRAIN
S182	7.00	EA.	STANDOFF, #201 HOUSING
S196	3.85	EA.	STUD, #201/#266/#203 KNIFE
S228	15.50	EA.	SWITCH, #201/#270 ROLLER
T007	1.00	EA.	TERMINAL, ROUND TONGUE
T031	.50	EA.	TUBING, #201 INSULATION - CUT (SHRINK)
W023	.50	EA.	WASHER, #8 S/S LOCK
W034	.50	EA.	WASHER, ECO DRIVE GEAR SPACER
W039	1.50	EA.	WASHER, #201/#270 THRUST
W055	.50	FT.	WIRE, 18 GA. BLACK (ELECTRIC JUMPER)