

## ***SERVICE MANUAL- M126***

### ***MANUAL CAN OPENER- MODEL # 2***



**Model #2 Can Opener Assembly Procedure**

The Model #2 can opener will be assembled according to the following procedure.

**I. Model #2 Handle and Arbor Assembly (A508)** (Fig. 1)

Insert arbor (A026) into slot at end of handle assembly (A509). Align holes and secure using a roll pin (P030).

**II. Model #2 Knife holder Assembly (A518)** (Fig. 1)

Place the knife (K005) on tang of knife holder (H020). Secure knife holder using screws (S072).

**III. Model #2 Main Assembly**

Place spring (S151) and washer (W037) into hole in top of slide bar (B009/B012). Insert spring compression tool (A5191) into rear of gear slot and compress washer and spring until knife holder ears will slide over the washer. Align the holes in slide bar and knife holder and insert rivet (R041) through both parts. Place head of rivet on top of steel plate and upset other end of rivet using hammer.

Remove the spring compression tool and insert gear (G004) with stamped word "Edlund Up" toward top of side bar. Place bushing (B121) into opening at top of slide bar and slide arbor of handle and arbor assembly (A508) down through bushing, washer and spring and into gear. Screw arbor into gear while keeping gear from rotating by inserting soft nail or screw into space on left side of gear between the gear and the edge of the gear slot. Turn handle clockwise until arbor and gear are fully tightened. When gear and arbor are properly assembled there should be very little space between the top of the bushing and the bottom of the handle.

Lubricate the arbor hole using non-sticking vegetable oil and inspect using final test instructions EC1066A.

**IV. #2 Can Opener Maintenance****1. #2 Knife Replacement Procedure**

The knife (K005) should be checked periodically to make sure that there are no nicks or grooves on the cutting edge of the knife. The knife should be reversed or replaced to use the unused cutting edge or replaced using new knife.

Raise the handle and remove the two screws (S072) that retain the knife to the knife holder and reverse the knife or replace with a new knife and secure using the two screws.

**2. #2 Gear Replacement Procedure**

If gear will no longer turn a can or starts to remove metal from the can bead, the gear needs to be replaced. To remove the gear, place a soft nail or screw on the right side of the gear between the gear and the edge of the gear slot to keep gear from rotating. Turn handle counterclockwise until arbor is free from gear. Replace the gear and assemble the gear according to the previous assembly procedure.

## Care and Maintenance Procedures

The Model #2 manual can opener, manufactured by the Edlund Company, must receive proper care and maintenance in order to function properly and to prevent any unsafe conditions over the life of the product or the life of any of its components. To ensure maximum life of the opener, the following care and maintenance procedures should be followed:

### I. Cleaning Procedure

The can opener must be cleaned daily or after each extended use as follows:

- A. Remove all the food and can opening residues from the drive gear, the drive gear cavity, the knife and the area around the can stop using the stainless steel cleaning brush, (Edlund Model #ST-93). Regular use of this tool will help prevent unwanted product buildup and harmful bacteria growth.
- B. Wash the knife, gear and any splash area on the opener using soap and water. Do not allow to soak.
- C. Thoroughly dry the knife, gear and can opener using a dry cloth or paper towel.
- D. Coat the knife and gear with non-sticking vegetable oil to prevent rusting when the can opener is not in use.

### II. Maintenance Procedure

Periodically perform maintenance as follows to ensure sanitary and safe food handling requirements and to extend the life of your opener.

- A. Check the shear blade or knife by running a fingernail over the cutting edge to make sure a sharp groove does not develop. A groove can cause metal can slivers. If a groove is found remove the two screws securing the knife to the knife holder and turn over to use the unused cutting edge or replace the blade with a new blade or knife. Place the knife support over the top of the knife and secure using the two knife holder screws. This inspection should be done when the can opener is cleaned. Please note: The Edlund knife is intentionally dull with rounded edges to prevent can slivers. However, the friction of metal-to-metal contact between the knife and the can will eventually cause the blade to sharpen itself. Check the knife regularly for sharp edges and grooves and remember, **“Never sharpen can opener blades.”**
- B. The drive gear should be inspected for wear monthly by first opening up a dent free #10 can with the opener. Inspect the can bead to see if the lines left by (tooth marks) the drive gear are narrow and evenly spaced, or if they are wide which indicates that the gear is slipping and may be removing metal from the can bead. If the gear is removing metal

Edlund Company, Inc., 159 Industrial Parkway, Burlington, VT 05401 802-862-9661

from the can bead, or “milling,” inspect the gear for wear.

If the teeth of the drive gear are dull, replace the drive gear using the procedure listed in Paragraph C below.

If the gear teeth appear to be sharp, inspect the arbor hole located below the gear by turning the opener upside down and determining if the hole is elongated or worn. If the hole is elongated, the opener is beyond repair and must be replaced.

C. Drive gear replacement is accomplished by first removing the knife and knife support from the knife holder. Place the can opener in the can opener base and place a nail, flathead screwdriver or other soft metal object to prevent rotation of the gear in the space on the right side of the gear between the gear and the edge of the gear slot. Remove the handle and arbor assembly from the gear by turning the handle counter-clockwise until the handle is detached from the drive gear. Remove the worn drive gear and gear washer from the gear slot and place the gear washer over the new gear with the word “up” toward the top of the can opener. Replace the gear and gear washer in the gear slot and insert the handle and arbor assembly back through the bushing and spring and into the threaded hole of the gear. Place a nail or soft metal object to prevent gear rotation in the space on the left side of the gear between the gear and the edge of the gear slot and rotate the handle clockwise until the assembly is tightened completely. Replace the knife and knife support and attach using the two knife holder screws.

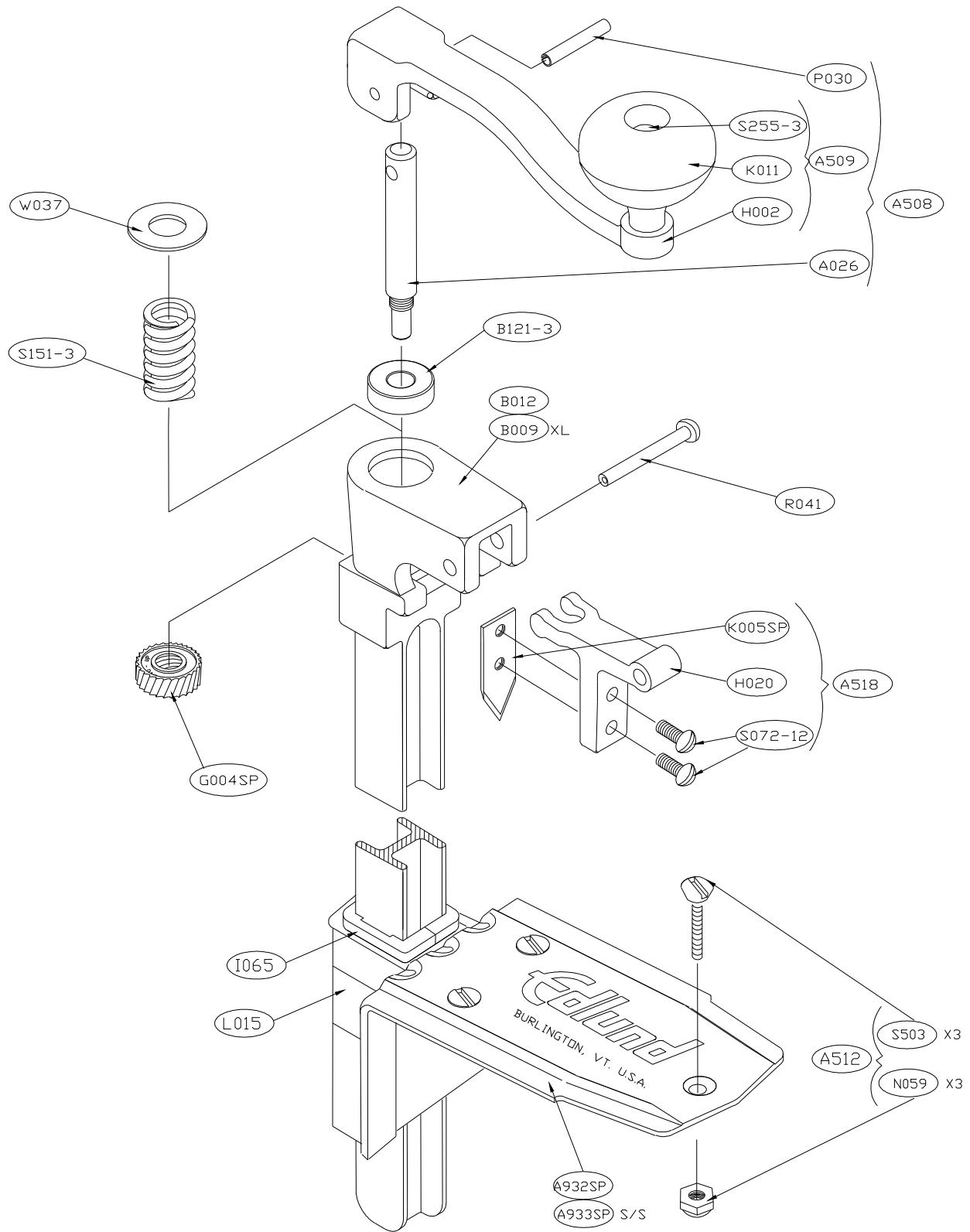
D. To prevent premature wear of the arbor hole of the slide bar, place a small amount of non-sticking vegetable oil in the arbor hole located under the drive gear weekly or after each cleaning.

E. The can opener and base should be inspected weekly for any excessive wear or rust on any surface. If rust or wear is found to be excessive, replace the can opener and/or the base as required.

**TROUBLE SHOOTING GUIDE**

<b>Problem</b>	<b>Cause</b>	<b>Correction</b>
I. Can opener will not turn can.	1. Drive gear is worn.	1. Replace gear (G004).
	2. Drive gear needs cleaning.	2. Clean drive gear (G004) using cleaning brush (ST-93).
	3. Arbor hole in slide bar or arbor is worn allowing gear to move out of contact with the can bead.	3. Replace can opener.
II. Knife will not lift far enough from gear to pierce can when handle is lifted.	1. Worn ears on knife holder.	1. Replace knife holder (H020).
	2. Worn bushing (B121).	2. Replace bushing.
	3. Worn handle (H002).	3. Replace handle.
III. Metal slivers found in food product.	1. Nick or groove on cutting edge of knife (K005).	1. Reverse knife or replace
	2. Worn drive gear (G004).	2. Replace gear.
	3. Sharp edge on slide bar can stops.	3. Round sharp edges with file or replace can opener.
IV. Can Opener withdraws from can during can opening procedure.	1. Worn or loose bar holder on base.	1. Replace base.
	2. Can opener used in base or preparation table that doesn't have two-degree angle on bar holder.	2. Replace base or repair hole in table to include two-degree angle to bar holder.

Note: Edlund Company manufactures the most complete line of can opening equipment in the world. Each model is designed for specific applications and/or volume requirements, and if used and maintained properly, will last a long time. If your operation requires opening 200 cans per day, a manual opener designed for 50 cans per day will wear out more quickly than necessary. Please follow Edlund's guideline for recommended applications found in our catalogue and price list.





Parts List

A5191	EA.	ASSEMBLY, #1/#2 SPRING RELEASE CLAMP
B009	EA.	BAR, #2 SLIDE XL (CASTING ONLY)
B012	EA.	BAR, #2 SLIDE (CASTING ONLY)
B121	EA.	BUSHING, #2
G004M	BOX	GEAR, #2 24 PKG.
G004SP	EA.	GEAR, #2 SINGLE PACK
H002	EA.	HANDLE, #2 & #8
H020	EA.	HOLDER, #2 KNIFE
K005M	BOX	KNIFE, #2/20 24 PKG.
K005SP	PKG.	KNIFE, #2/20 SINGLE PACK
K011	EA.	KNOB, MANUAL CAN OPENER
L015	EA.	#1/#2 WARNING LABEL FOR BASE
N059	PKG	NUT, 10-32 SELF LOCKING (3 PKG. W/S503)
P030	EA.	PIN, ROLL, 3/16 X 1-1/8 PLATED
R041	EA.	RIVET, #2 KNIFEHOLDER
S010	PKG.	SCREW, 12 X 1 S/S FOR BASES, PKG. OF 3
S011	PKG.	SCREW, 12 X 1 PLATED FOR BASE, PKG. OF 3
S072	EA.	SCREW 12-24 X 7/16 RHM
S151	EA.	SPRING, #2
S255	EA.	STUD, #1/#2 KNOB
S503	PKG.	SCREW, 10-32 X 1 S/S SLOTTED (3 PKG. W/N059)
W037	EA.	WASHER, #2 SPRING

#8 CAN OPENER

PART #	U/M	DESCRIPTION
A028	EA.	ARBOR, #8
A504	EA.	ASSEMBLY, CRS (MILD STEEL) BASE
A505	EA.	ASSEMBLY, STAINLESS STEEL BASE
A509	EA.	ASSEMBLY, #2/#8 HANDLE & KNOB