



We're in your kitchen™.

Edlund Company, Inc., 159 Industrial Parkway, Burlington, VT 05401 802-862-9661 www.edlundco.com

M130 REV.A

SERVICE MANUAL

MODEL #U-12 MANUAL CAN OPENER





Model U-12 Can Opener Assembly Procedure

The Model U-12 can opener will be assembled according to the following procedure:

1. **Model U-12 Handle and Arbor Assembly** (A922) (see page 5)

Insert arbor (A076) into slot at end of handle assembly (A923). Align holes and secure by pressing knurled pin (P026) flush with side of handle assembly.

2. **Model U-12 Knife holder Assembly** (A926) (see page 5)

Slide the "O" seal (R085) over the knife retaining screw (S276) until the seal is against the knurled screw head. Place the knife (K032) against the front of the tang of the knife holder, H097, align the holes and secure in place using the knife retaining screw (S276). End of knife must slide under the slot at the top of the tang.

3. **Model U-12 Main Assembly** (see page 5)

Place the spring (S275) down inside top hole in the slide bar assembly (A921/A941L). Place the spool (S274) on top of the spring and slide the gear (G030) into the gear slot of the slide bar. Slide the arbor of the handle and arbor assembly (A922) down through the spool and the spring and thread gear onto the end of the arbor by retaining the gear and turning the handle and arbor assembly clockwise when viewed from the top of the handle.

Lift the handle and slide the ears of the knife holder assembly (A926) into space between the flanges of the spool. Align the hole in the knife holder with the holes in the slide bar and secure using pull pin (P169).

Inspect using final inspection instructions.

Can Opener Care and Maintenance

A. Cleaning Procedure

The can opener should be cleaned daily as follows:

1. Remove all the food and can opening residues from the drive gear, the drive gear cavity, the knife and the area around the can stop using the stainless steel cleaning brush, (Edlund Model #ST-93). Regular use of this tool will help prevent unwanted product buildup and harmful bacteria growth.
2. Remove pin, wash the knife, gear and any splash area on the opener using warm soapy water.
3. Thoroughly dry the knife, gear and can opener using a dry cloth or paper towel.
4. Coat the knife and gear with light non-sticking vegetable oil to prevent rusting when the can opener is not in use.



We're in your kitchen™.

Edlund Company, Inc., 159 Industrial Parkway, Burlington, VT 05401 802-862-9661 www.edlundco.com

M130 REV.A

B. Maintenance Procedure

1. **Knife Replacement Procedure** - The knife (K032) must be checked periodically to make sure that there are no nicks or wear on the edge. When a nick or groove can be felt with the fingernail, the knife should be reversed to use the unused edge or it should be replaced.

To reverse the knife, raise the handle and remove the pull pin (P169). Remove the knife holder assembly (A926). Remove the knife retaining screw (S276) and turn the knife over and retain with the knife retaining screw. Place knife holder assembly back into slot in spool, align holes and insert pin (P169). The can opener is now ready for operation.

"O" Ring seal (R085) should be replaced each time the knife is replaced. A new seal is included with each knife.

2. **Gear Replacement Procedure** - Gear should be replaced when it will no longer turn a can or the gear starts to remove metal from the bead of the can. To remove the gear, place a soft screw or nail on the right side of the gear between the gear and the edge of the gear slot, to hold the gear, and turn handle and arbor assembly counter clockwise. Remove gear and clear gear slot of all food and can residue.

Place the new gear (G030) into the gear slot with stamped words "Edlund Up" toward slide bar. Slide arbor down through the spool and spring and thread gear onto the end of the arbor by retaining the gear and turning the handle and arbor clockwise looking down onto handle.

3. **Spool Replacement** - If knife doesn't rotate away from the drive gear to allow the knife to penetrate the can lid when the can opener is used, then the spool may need to be replaced.

To replace the spool, raise the handle and remove the knife holder assembly as in knife replacement procedure. Remove the handle and arbor assembly as in the gear replacement procedure, replace the worn spool with a new one and reassemble the can opener.



We're in your kitchen™.

Edlund Company, Inc., 159 Industrial Parkway, Burlington, VT 05401 802-862-9661 www.edlundco.com

M130 REV.A

Model U-12 Can Opener
Trouble Shooting Guide

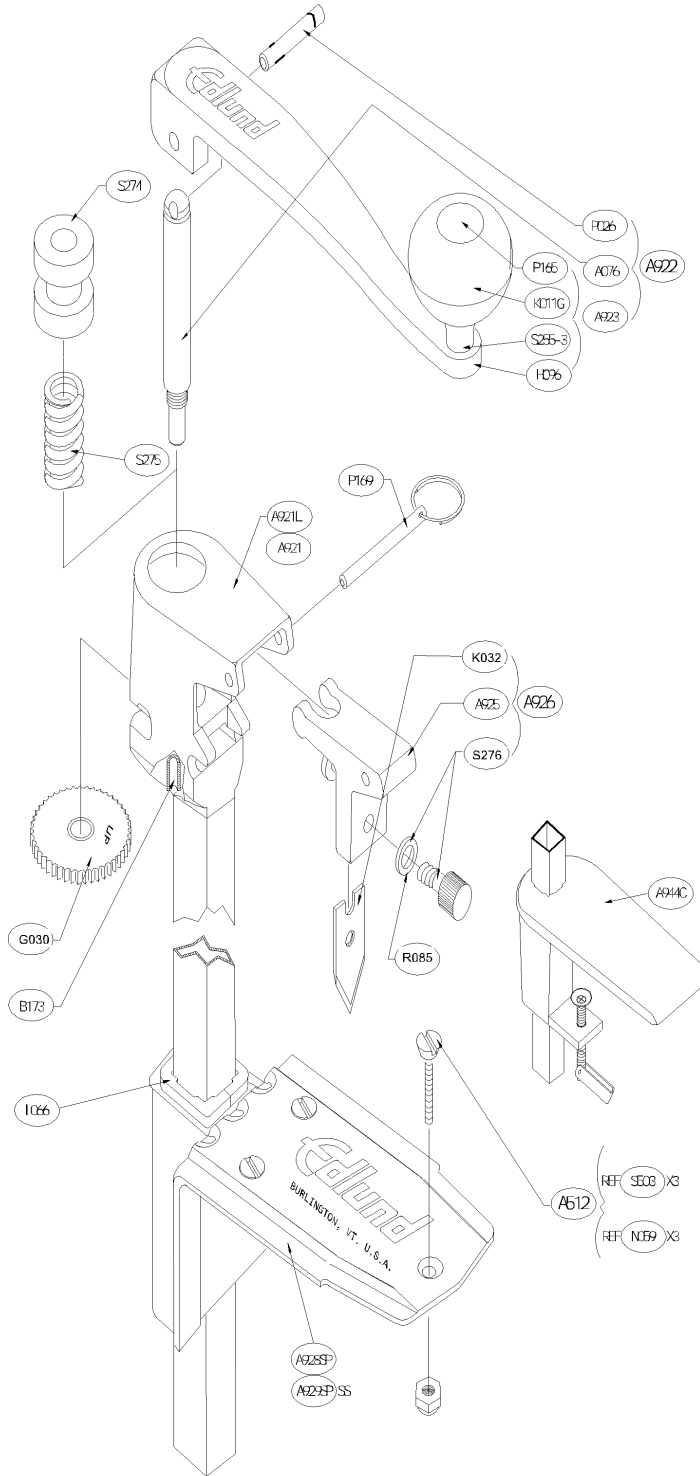
Problem	Cause	Correction
I. Can opener will not turn can.	<ol style="list-style-type: none">1. Drive gear is worn.2. Drive gear needs cleaning.3. Bushing (B173) in slide bar or arbor (A076) is worn allowing gear to move out of contact with the can bead.	<ol style="list-style-type: none">1. Replace gear (G030).2. Clean drive gear (G030) and gear slot using cleaning tool (ST-93).3. Inspect arbor and bushing and replace as necessary.
II. Knife will not lift far enough from gear to pierce can when handle is lifted.	<ol style="list-style-type: none">1. Worn spool (S274).	<ol style="list-style-type: none">1. Replace spool.
III. Metal slivers	<ol style="list-style-type: none">1. Nick or groove worn on cutting edge of knife (K032).2. Worn drive gear (G030).3. Sharp edge on knife stop.	<ol style="list-style-type: none">1. Reverse knife or replace if it has been reversed already.2. Replace drive gear.3. Round edge using file or replace slide bar.
IV. Can opener keeps withdrawing from the can during can opening operations.	<ol style="list-style-type: none">1. Worn or loose slide bar.2. Can opener used in base or preparation table that doesn't have two-degree angle on bar holder.	<ol style="list-style-type: none">1. Replace base.2. Replace base or repair hole in preparation table.



We're in your kitchen™.

Edlund Company, Inc., 159 Industrial Parkway, Burlington, VT 05401 802-862-9661 www.edlundco.com

M130 REV.A





We're in your kitchen™.

Edlund Company, Inc., 159 Industrial Parkway, Burlington, VT 05401 802-862-9661 www.edlundco.com

M130 REV.A

PARTS PRICE LIST

U-12 CAN OPENER

PART #	<u>U/M</u>	<u>DESCRIPTION</u>
A076	EA.	ARBOR, U-12
A921/A921L	EA.	WELDMENT & ASSEMBLY, U-12 HEAD TUBE
A922	EA.	ASSEMBLY, U-12 HANDLE/ARBOR
A925	EA.	U-12 KNIFEHOLDER ASSEMBLY
A926	EA.	ASSEMBLY, U-12 KNIFEHOLDER
A928	EA.	BASE, UNIVERSAL PLATED
A929	EA.	BASE, UNIVERSAL, S/S
A944C	EA.	ASSEMBLY, U-12 CLAMP BASE
A944H	EA.	ASSEMBLY, HARDWARE PKG., S-11 BASE
A949	EA.	U-12 BASE
B173	EA.	BEARING, U-12 .50DX.313IDX.56
G030	PKG.	GEAR, U-12
I066	EA.	INSERT, U-12 BASE (2 REG)
K011G	EA.	KNOB, #G-2, U-12 MANUAL CAN OPENER
K032	PKG.	KNIFE, U-12
L015	EA.	LABEL, #GG2, #U-12, #1, #2 BASE WARNING
N059	EA.	NUT, 10-32 SELF LOCKING (3 PKG WITH S503)
P026	EA.	PIN, U-12 KNURL
P165	EA.	PLUG, 5/8
P169	EA.	PIN, S-11 KNIFEHOLDER PULL
R085	EA.	O-RING, S-11 0, BLACK 70 DURO #009
S255	EA.	STUD, KNOB
S274	EA.	SPOOL, S-11
S275	EA.	SPRING, S-11
S276	EA.	SCREW, S-11 KNURL
S503	PKG.	SCREW, 10-32 X 1" SS SLOTTED (3 PKG WITH N059)