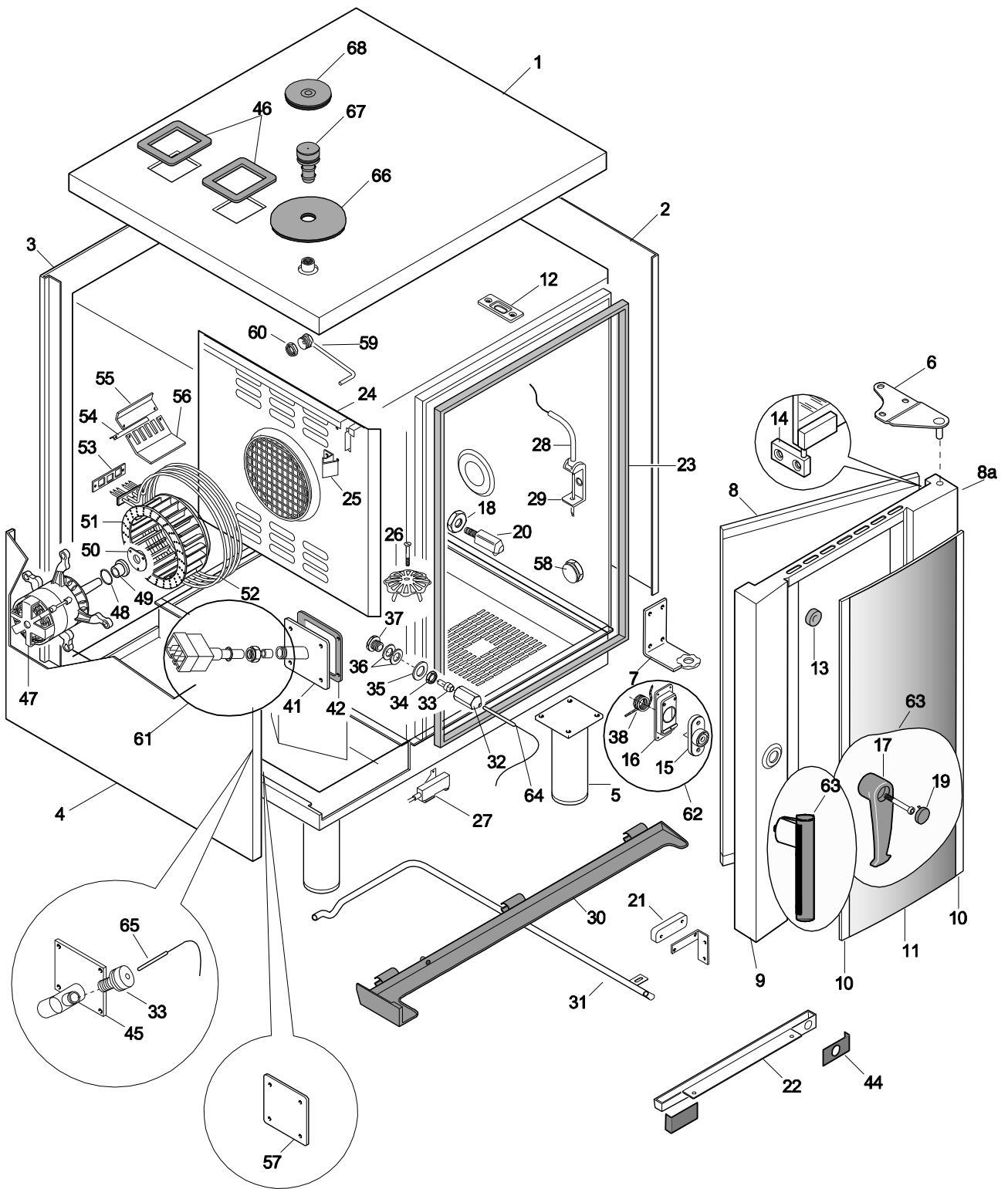


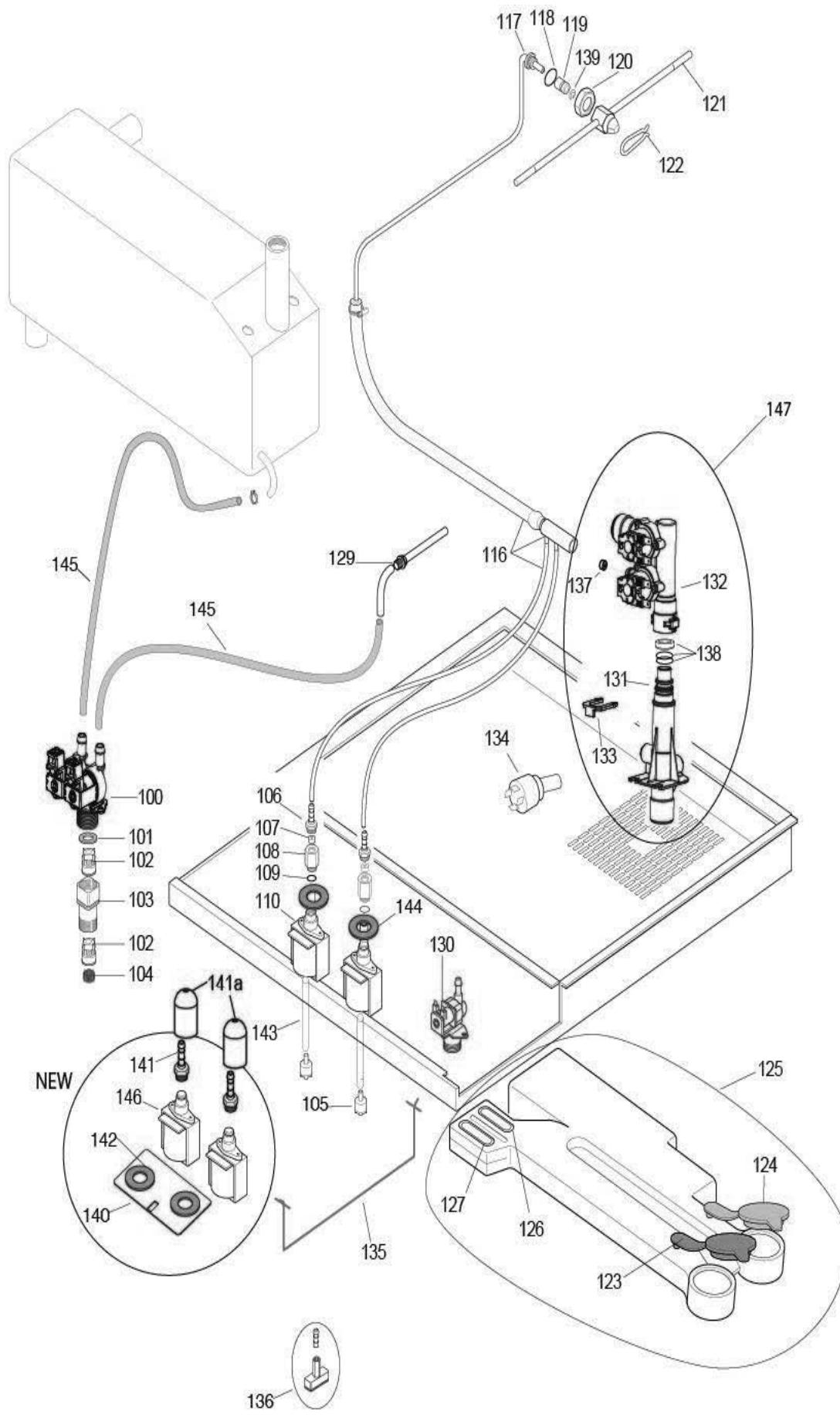
| PNC | Model | Ref | Group | Level | Page | Notes |
|--------|------------|-----|-------|---------|--------|---------------------|
| 236202 | FCZ101 EKA | T | FCZ | Level K | 2...13 | 400V 3N 50Hz |
| 236222 | FCZ101EKN | U | FCZ | Level K | 2...13 | 230V 3N |
| 237202 | FCZ101ETA | A | FCZ | Touch | 2...13 | 400V 3N 50Hz |
| 237212 | FCZ101ETH | B | FCZ | Touch | 2...13 | 400V 3N 50Hz P80 |
| 237222 | FCZ101ETN | C | FCZ | Touch | 2...13 | 230V 3N |
| 237302 | FCZ101ETK | h1 | FCZ | Touch | 2...13 | 400V 3N 50Hz |
| 238202 | FCZ101EBA2 | D | FCZ | Level B | 2...13 | 400V 3N 50Hz |
| 238212 | FCZ101EBH2 | E | FCZ | Level B | 2...13 | 400V 3N 50Hz P80 |
| 238222 | FCZ101EBN2 | F | FCZ | Level B | 2...13 | 230V 3N |
| 238232 | FCZ101EBC2 | G | FCZ | Level B | 2...13 | 200V 3 60Hz Japan |
| 239202 | FCZ101ECA2 | H | FCZ | Level C | 2...13 | 400V 3N 50Hz |
| 239212 | FCZ101ECH2 | I | FCZ | Level C | 2...13 | 400V 3N 50Hz P80 |
| 239222 | FCZ101ECA2 | L | FCZ | Level C | 2...13 | 230V 3N |
| 239342 | FCZ101ECAS | g1 | FCZ | Level C | 2...13 | 400V 3N 50/60 Hz |
| 266202 | AOS101EKA1 | Q | AOS | Level K | 2...13 | 400V 3N 50Hz |
| 266222 | AOS101EKN1 | R | AOS | Level K | 2...13 | 230V 3N |
| 266282 | AOS101EKM1 | S | AOS | Level K | 2...13 | 208V 3 USA |
| 266322 | AOS101EKV1 | f1 | AOS | Level K | 2...13 | 480V 3 60HZ USA |
| 266352 | AOS101EKR1 | a1 | AOS | Level K | 2...13 | 400V 3N 50/60HZ AUS |
| 267072 | AOS101EAQ1 | O | AOS | Level A | 2...13 | Nando's |
| 267202 | AOS101ETA1 | a | AOS | Touch | 2...13 | 400V 3N 50Hz |
| 267212 | AOS101ETH1 | b | AOS | Touch | 2...13 | 400V 3N 50Hz P80 |
| 267222 | AOS101ETN1 | c | AOS | Touch | 2...13 | 230V 3N |
| 267232 | AOS101ETC1 | d | AOS | Touch | 2...13 | 200V 3 60Hz Japan |
| 267242 | AOS101ETE1 | e | AOS | Touch | 2...13 | 440V 3 Marine |
| 267252 | AOS101ETF1 | f | AOS | Touch | 2...13 | 400V 3 Marine |
| 267282 | AOS101ETM1 | h | AOS | Touch | 2...13 | 208V 3 USA |
| 267302 | AOS101ETK1 | l | AOS | Touch | 2...13 | 400V 3N UK |
| 267322 | AOS101ETV1 | i1 | AOS | Touch | 2...13 | 480V 3 USA |
| 267352 | AOS101ETR1 | b1 | AOS | Touch | 2...13 | 400V 3N 50/60HZ AUS |
| 268202 | AOS101EBA2 | n | AOS | Level B | 2...13 | 400V 3N |
| 268212 | AOS101EBH2 | o | AOS | Level B | 2...13 | 400V 3N 50Hz P80 |
| 268222 | AOS101EBN2 | p | AOS | Level B | 2...13 | 230V 3N |
| 268232 | AOS101EBC2 | q | AOS | Level B | 2...13 | 200V 3 60Hz Japan |
| 268242 | AOS101EBE2 | r | AOS | Level B | 2...13 | 440V 3 Marine |
| 268252 | AOS101EBF2 | s | AOS | Level B | 2...13 | 400V 3 Marine |
| 268262 | AOS101EB12 | l1 | AOS | Level B | 2...13 | 440V 3 Marine |
| 268302 | AOS101EBH2 | t | AOS | Level B | 2...13 | 400V 3N UK |
| 268352 | AOS101EBR2 | c1 | AOS | Level B | 2...13 | 400V 3N 50/60HZ AUS |
| 269202 | AOS101ECA2 | u | AOS | Level C | 2...13 | 400V 3N 50Hz |
| 269212 | AOS101ECH2 | v | AOS | Level C | 2...13 | 400V 3N 50Hz P80 |
| 269222 | AOS101ECN2 | z | AOS | Level C | 2...13 | 230V 3N |
| 269242 | AOS101ECE2 | m1 | AOS | Level C | 2...13 | 440V 3 50Hz Marine |
| 269252 | AOS101ECF2 | n1 | AOS | Level C | 2...13 | 400V 3 50Hz Marine |
| 269282 | AOS101ECM1 | P | AOS | Level C | 2...13 | 208V 3 USA |

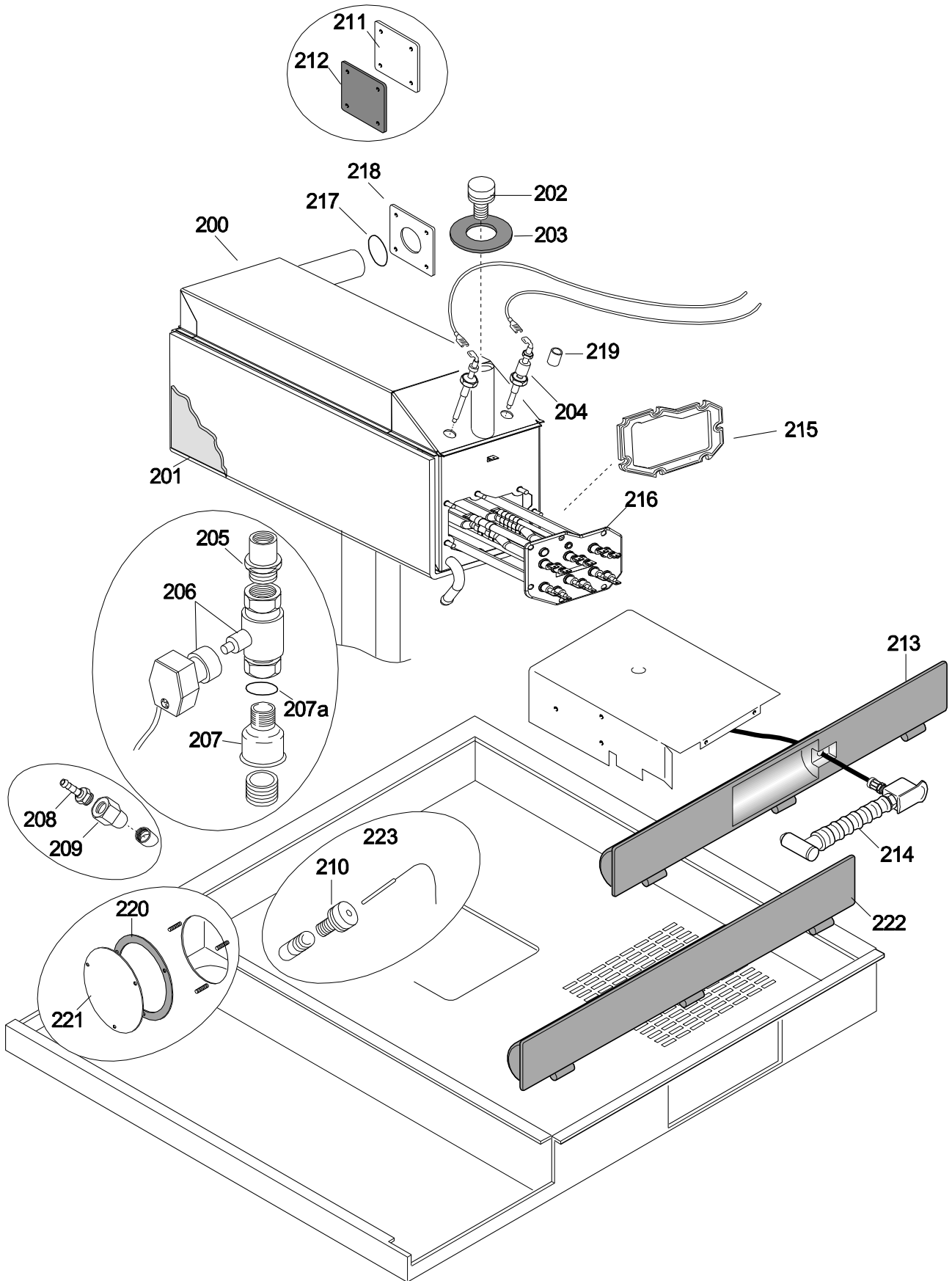
| | | | | | | |
|--------|------------|----|-----|---------|--------|---------------------|
| 269302 | AOS101ECK2 | M | AOS | Level C | 2...13 | 400V 3N UK |
| 269322 | AOS101ECV1 | e1 | AOS | Level C | 2...13 | 480V 3 60HZ USA |
| 269332 | AOS101ECY2 | N | AOS | Level C | 2...13 | 400V 30 Bakery |
| 269352 | AOS101ECR2 | d1 | AOS | Level C | 2...13 | 400V 3N 50/60HZ AUS |

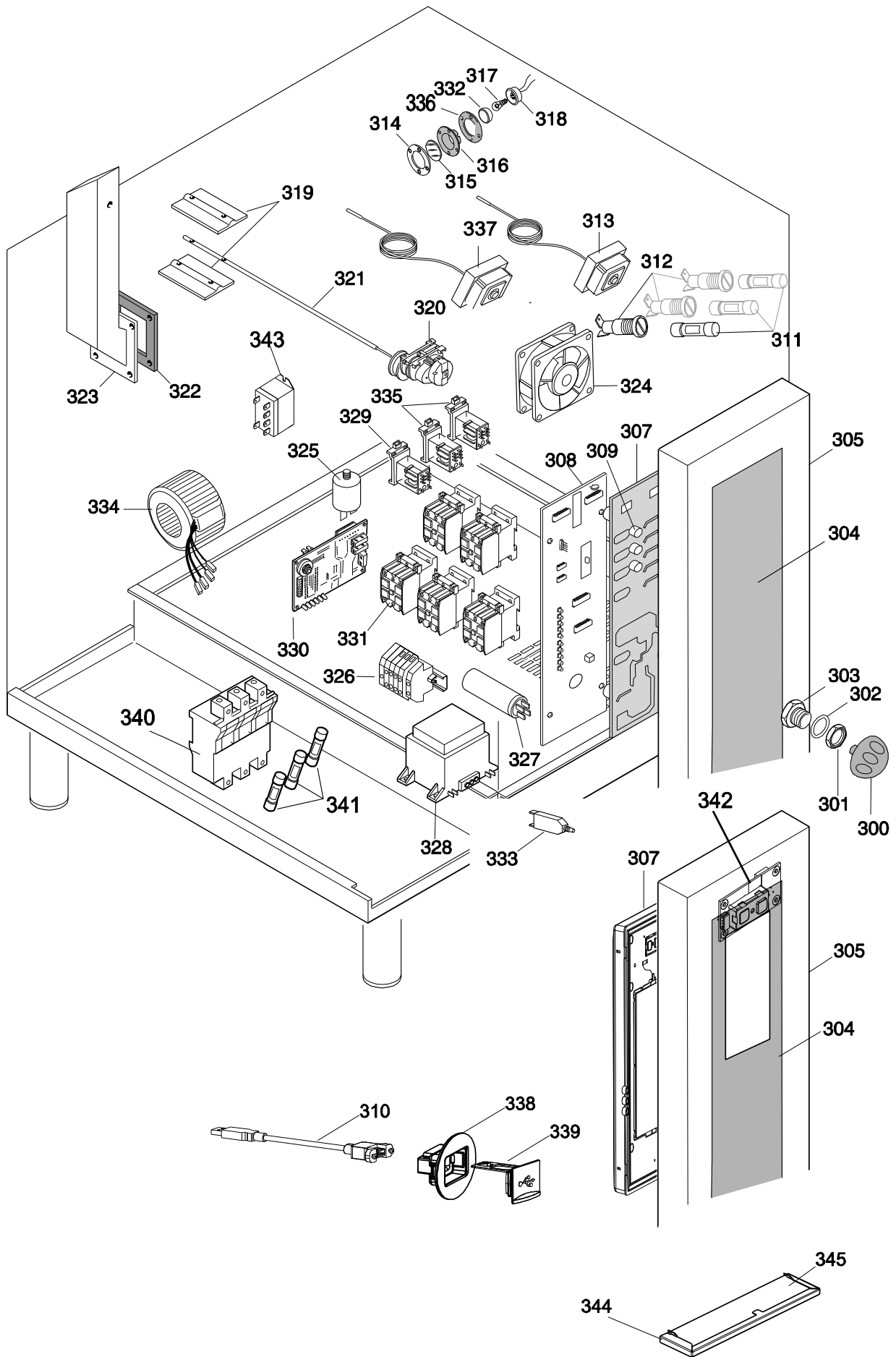
| Pag | Index | Indice | Note |
|------------|------------------------|----------------------|-------------|
| 3 | Oven cabinet and door. | Cella forno e porta | |
| 4 | Water system | Impianto idraulico | |
| 5 | Boiler | Boiler | |
| 6 | Electrical components | Componenti elettrici | |
| 7 | Accessories | Accessori | |
| 8...13 | Spare parts list | Lista ricambi | |

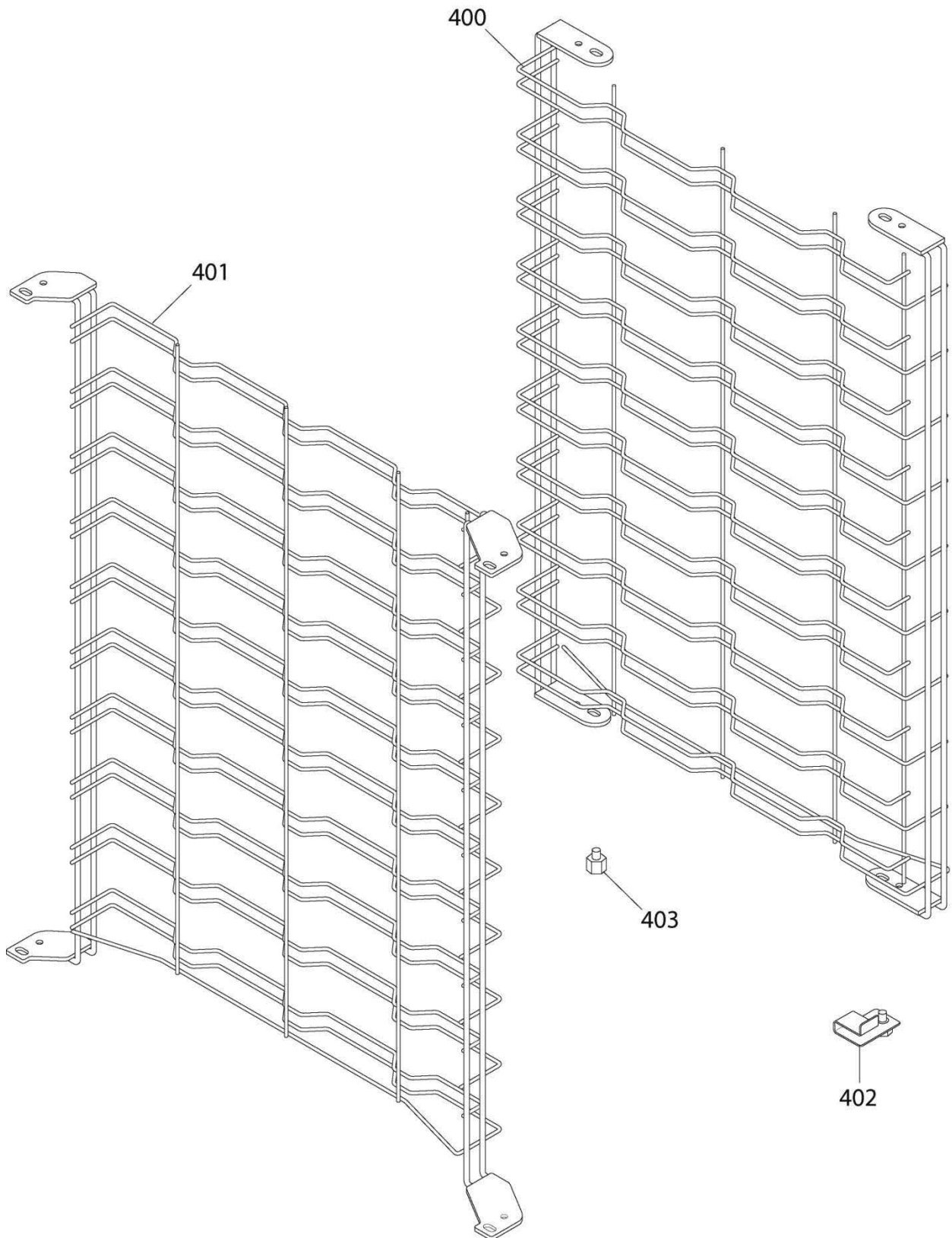
Brand/Marchio: All
Factory code: 9PDD











10 GN 1/1 ELECTRIC CONVECTION / STEAMER OVEN
FORNO CONVEZIONE / VAPORE ELETTRICO 10 GN 1/1

| <i>Pos</i> | <i>Factory Code</i> | <i>6DGT Code</i> | <i>Descrizione</i> | <i>Description</i> | <i>Ref./Note</i> |
|------------|---------------------|------------------|-----------------------------|--------------------------|---|
| | | | Pagina 2 | Page 2 | |
| 1 | 0590831300 | 0C6177 | COPERCHIO | COVER | |
| 2 | 0530890900 | 0C6174 | FIANCO DX | RIGHT SIDE PANEL | |
| 3 | 0530892700 | 0C6190 | SCHIENALE | BACK PANEL | |
| 3 | 0530893100 | 0C6194 | SCHIENALE | BACK PANEL | for Marine models |
| 4 | 0530893300 | 0C6196 | FIANCO SX | LEFT SIDE PANEL | |
| 5 | 0831850900 | 0C4892 | PIEDINO | FOOT | From 2008/01 up to 2012/18 |
| 5 | 0831842202 | 0C4233 | PIEDINO | FOOT | Up to 2007/52 from 2012/19 For Marine Version |
| 5 | 0806872300 | 0C4823 | PIEDINO | FOOT | |
| 6 | 0806847803 | 0C4234 | CERNIERA SUPERIORE | UPPER HINGE | |
| 7 | 0806861600 | 0C4235 | CERNIERA INFERIORE | LOWER HINGE | |
| 8 | 0873869902 | 0C4470 | VETRO INTERNO | INNER GLASS | |
| * | 0850400P00 | 0C6576 | TELAIO PORTA | DOOR CHASSIS | |
| 9 | 0879400500 | 0C6601 | PORTA COMPLETA | COMPLETE DOOR | |
| 10 | 0806859302 | 0C4476 | PROFILO DX-SX | RIGHT AND LEFT TRIM | |
| 11 | 0574400300 | 0C6559 | VETRO ESTERNO | EXTERNAL GLASS | For AOS Version |
| 11 | 0574818501 | 0C4943 | VETRO ESTERNO | EXTERNAL GLASS | For FCZ Version |
| 11 | 0574400P00 | 0C7972 | VETRO ESTERNO | EXTERNAL GLASS | For Nando's Version |
| 12 | 0543839700 | 0C4088 | GUARNIZIONE SPILLONE | GASKET | |
| 13 | 0543828001 | 006976 | AMMORTIZZATORE | DAMPER | |
| 14 | 0806822000 | 007007 | CERNIERA VETRO INTERNO | HINGE, INNER GLASS | |
| 15 | 0835871801 | 0C4089 | GR.CHIUSURA A SCATTO 'HRS' | CLOSING MECHANISM | |
| 16 | 0510824200 | 0C4237 | SUPPORTO GR.CHIUSURA | SUPPORTO | |
| 17 | 0548871500 | 0C4090 | MANIGLIA CHIUSURA | DOOR HANDLE | |
| 18 | 0516896400 | 0C4238 | DADO FISSAGGIO | NUT FOR DOOR CATCHER | |
| 19 | 0546822600 | 0C4091 | TAPPO PER MANIGLIA 'HRS' | DOOR COVER HANDLE | |
| 20 | 0806859900 | 0C4092 | NASELLO | DOOR CATCHER | |
| 21 | 0699603700 | 049627 | MAGNETE | MAGNET | |
| 22 | 0528869501 | 0C4239 | VASCHETTA RACC.CONDENSE | DOOR DRAIN TRAY | |
| 23 | 0831846901 | 0C1477 | GUARNIZIONE CELLA-PORTA | GASKET | |
| 24 | 0830892205 | 0C4619 | PARETE DI ASPIRAZIONE | SUCTION WALL | |
| 25 | 0518807301 | 0C3423 | MOLLA AGANCIO PARETE | SPRING | |
| 26 | 0518808600 | 0C1740 | FILTRO FONDO | FILTER | |
| 27 | 0654600000 | 049621 | INTERRUTTORE MAGNETICO | MAGNETIC SWITCH | |
| 28 | 0831831000 | 0C4240 | SPILLONE MULTIPOINT | MEAT PROBE MULTI POINT | For Level TOUCH |
| 28 | 0831830700 | 0C4241 | SPILLONE SINGOLO PUNTO | MEAT PROBE SINGLE POINT | For Level B, C,K |
| 29 | 0527865201 | 0C1505 | SUPPORTO SPILLONE | MEAT PROBE SUPPORT | |
| 30 | 0856814000 | 0C4242 | BACINELLA SNODABILE | DRAIN TRAY | |
| 31 | 0806858800 | 0C4243 | TUBO PER CONDENSE 1/1 | DRAIN TUBE | |
| 32 | 0516855300 | 006991 | DADO SONDA CELLA | NUT, CAVITY PROBE | |
| 33 | 0543842600 | 0C4872 | TAPPO PER SENSORE | STOPPER FOR SENSOR | |
| 34 | 0214105101 | 020997 | CONTRODADO PORTAUGELLO | LOCK NUT | |
| 35 | 0516809301 | 002701 | RONDELLA TENUTA SONDA | WASHER | |
| 36 | 0543816300 | 002624 | GUARNIZIONE PER SONDA | GASKET | |
| 37 | 0516809400 | 002623 | RACCORDO SONDA CELLA | CONNECTION, CAVITY PROBE | |
| 38 | 0518818000 | 0C8561 | MOLLA PER CHIUSURA | SPRING | |
| 41 | 0806857201 | 0C4244 | COND. FLANGIATO SONDA | FLANGE TUBE | For Level TOUCH |
| 42 | 0543838300 | 0C4093 | GUARNIZIONE BYPASS/LAMBDA | GASKET | |
| 44 | 0543841300 | 0C4094 | GUARN. VASC. COND. PORTA | GASKET | |
| 45 | 0806873000 | 0C6351 | CONDOTTO FLANGIATO BY-PASS | DUCT, BYPASS PROBE | For Level B, C,K |
| 46 | 0543828901 | 007005 | GUARN. COND. ARIA-COPERCHIO | GASKET, DUCT | |
| 47 | 0611806001 | 006998 | MOTORE | MOTOR | For Level TOUCH,B Not for 60Hz version |
| 47 | 0611809000 | 0C5287 | MOTORE | MOTOR | For Level C |
| 47 | 0611807300 | 0C1474 | MOTORE | MOTOR | For 60Hz Version |
| 47 | 0611400100 | 0C6936 | MOTORE | MOTOR | For 480V |
| 48 | 0543816700 | 002873 | O RING | O RING | |

10 GN 1/1 ELECTRIC CONVECTION / STEAMER OVEN
FORNO CONVEZIONE / VAPORE ELETTRICO 10 GN 1/1

| <i>Pos</i> | <i>Factory Code</i> | <i>6DGT Code</i> | <i>Descrizione</i> | <i>Description</i> | <i>Ref./Note</i> |
|------------|---------------------|------------------|-------------------------------|-------------------------------|-------------------------------|
| 49 | 0516808902 | 002699 | CUSCINETTO | BEARING | |
| 50 | 0538815400 | 0C4138 | FLANGIA FISS.TENUTA MOTORE | FLANGE | |
| 51 | 0835400800 | - | VENTOLA | FAN | |
| 52 | 0617826900 | 007066 | RESISTENZA (5.6 kW/230V) | HEATING ELEM. (5.6 kW/230V) | For 230V Version |
| 52 | 0617838900 | 0C6026 | RESISTENZA (5.6 kW/200V) | HEATING ELEM. (5.6 kW/200V) | For 200V Version |
| 52 | 0617823801 | 007064 | RESISTENZA (5.6 kW/400V) | HEATING ELEM. (5.6 kW/400V) | for 400V models up to 138... |
| 52 | 0617400801 | 0C6501 | RESISTENZA (5.6 kW/400V) | HEATING ELEM. (5.6 kW/400V) | for 400V models from 139... |
| 52 | 0617827000 | 0C1936 | RESISTENZA (5,6 kW/440V) | HEATING ELEM. (5,6 kW/440V) | For 440V Version up to 115... |
| 52 | 0617400Q00 | 0C7059 | RESISTENZA (5,6 kW/440V) | HEATING ELEM. (5,6 kW/440V) | For 440V Version from 116... |
| 52 | 0617829200 | 0C1396 | RESISTENZA (5,5 kW/208V USA) | HEAT. ELEM. (5,5 kW/208V USA) | For 208V Version |
| 52 | 0617829800 | 0C1500 | RESISTENZA (5,5 kW/240 V USA) | HEAT. ELEM. (5,5 kW/240V USA) | For 240V Version |
| 52 | 0617400400 | 0C6942 | RESISTENZA (5,5 kW/480 V USA) | HEAT. ELEM. (5,5 kW/480V USA) | For 480V USA |
| 52 | 0617400401 | 0CA330 | RESISTENZA (5,5 kW/480 V USA) | HEAT. ELEM. (5,5 kW/480V USA) | For 480V marine |
| 53 | 0543816501 | 002689 | GUARNIZIONE RESIST. CELLA | GASKET, CAVITY HEATING EL. | |
| 54 | 0503897402 | 006253 | ANGOLARE RESISTENZE | SUPPORT | |
| 55 | 0503891801 | 006256 | LAMA FISSAGGIO RESISTENZE | SUPPORT | |
| 56 | 0505404N00 | 0C3830 | SUPPORTO RESISTENZE | SUPPORT | |
| 57 | 0527898900 | 0C4857 | PIASTRA CHIUSURA | FLANGE | for Level C,K |
| 59 | 0856828400 | 0C4975 | CONDOTTO UMIDIFICATORE | HUMIDIFIER PIPNG | for Level C,K |
| 60 | 0516887101 | 0C6228 | DADO CONDOTTO | NUT HUMIDIFIER | for Level C,K |
| 61 | * | 0C6465 | KIT SONDA LAMBDA | LAMBDA KIT | for level TOUCH |
| 62 | 0835872002 | 0C4477 | ASSIEME CHIUSURA PORTA | COMPLETE CLOSING MECH. | Up to 6081... |
| 62 | 0835402M00 | * | ASSIEME CHIUSURA PORTA | COMPLETE CLOSING MECH. | From 6091... |
| 63 | 0830400600 | 0C6572 | MANIGLIA COMPLETA | COMPLETE DOOR HANDLE | for FCZ Group |
| 63 | 0830400500 | 0C6569 | MANIGLIA COMPLETA | COMPLETE DOOR HANDLE | for AOS Group |
| 64 | 0830898902 | 0C6538 | SENSORE TEMPERATURA | TEMP. PROBE | |
| 65 | 0830899101 | 0C6539 | SENSORE TEMPERATURA | TEMP. PROBE | |
| 66 | 0543400900 | 0C7016 | GUARNIZIONE PER TUBO | PIPE GASKET | |
| 67 | 0543816601 | 002692 | TAPPO CARICO DISINCROST. | RECHARGE CAP FOR SCALER | |
| 68 | 0543843201 | 0C4965 | GOMMINO CHIUSURA ING.DISIN | GASKET | |
| | | | Pagina 4 | Page 4 | |
| 100 | 0696808300 | 0C5516 | ELETTROVALVOLA 2 VIE | WATER VALVE 2 WAYS | for Level A,B |
| 101 | 0543840600 | 0C4096 | GUARNIZIONE FILTRO REFLEX | GASKET | for Level A,B |
| 102 | 0549801800 | 0C2312 | VALVOLA NON RITORNO | NOT RE-FLOW VALVE | for Level A,B |
| 103 | 0516879400 | 0C2313 | RACCORDO ENTRATA ACQUA | PIPE FITTING | for Level A,B |
| 105 | 0831811400 | 0C1155 | ASSIEME FILTRO | FILTER | |
| 106 | 0516896101 | 0C4198 | RACCORDO PORTAGOMMA | PIPE FITTING | |
| 107 | 0544809000 | 0C1117 | VALVOLA NON RITORNO | NOT RE-FLOW VALVE | |
| 108 | 0516871900 | 0C1116 | RACCORDO PER POMPA | CONNECTION, PUPM | |
| 109 | 0543832300 | 0C1935 | O-RING | O-RING | |
| 110 | 0680801201 | 0C2341 | POMPA | PUMP | for 50 Hz |
| | - | | KIT POMPA | PUMP KIT | For 50 Hz |
| 110 | 0680801301 | 0C2342 | 0C2341+0C1116+0C1935 | 0C2341+0C1116+0C1935 | for 60 Hz |
| | - | | POMPA | PUMP | |
| | - | 0C2309 | TUBO POMPA - SERBATOIO | PUMP - TANK HOUSE | |
| 116 | 0805400201 | 0C6202 | ASSIEME COLL. LAVAGGIO | CONNECTION,C.S. | |
| 117 | 0806871100 | 0C6031 | ASS. SUPP. ATTACCO GETTO LAV. | SUPPORT | |
| 118 | 0543841400 | 0C4201 | GUARNIZIONE IN RAME | COPPER GARKET | |
| 119 | 0516898301 | 0C4467 | CUSCINETTO GETTO ROTANTE | BEARING | |
| 120 | 0516896000 | 0C4202 | DADO | NUT | |
| 121 | 0806873900 | 0C5503 | GETTO ROTANTE | ROTATING WASHING JET | |
| 122 | 0518807100 | 007026 | MOLLA | SPRING | |
| 123 | 0544808100 | 0C1151 | TAPPO PER SERBATOIO BLU | BLUE CUP | |
| 124 | 0544808200 | 0C1152 | TAPPO PER SERBATOIO ROSSO | RED CUP | |
| 125 | 0544808001 | 0C4426 | SERBATOIO DETERGENTE-BRIL | TANK | |

10 GN 1/1 ELECTRIC CONVECTION / STEAMER OVEN
FORNO CONVEZIONE / VAPORE ELETTRICO 10 GN 1/1

| <i>Pos</i> | <i>Factory Code</i> | <i>6DGT Code</i> | <i>Descrizione</i> | <i>Description</i> | <i>Ref./Note</i> |
|------------|---------------------|------------------|---------------------------------|--------------------------------|--|
| 126 | 0544808900 | 0C1154 | PARATIA PER SERBATOIO ROSSO | RED BULKHEAD | |
| 127 | 0544808400 | 0C1153 | PARATIA PER SERBATOIO BLU | BLUE BULKHEAD | |
| 129 | 0H22982600 | 007012 | TUBO UMIDIFICATORE | HUMIDIFIER PIPE | for Level A, B |
| 129 | 0856828600 | 0C4977 | TUBO UMIDIFICATORE | HUMIDIFIER PIPE | for Level C,K |
| 130 | 0696808200 | 0C5515 | ELETTROVALVOLA | WATER VALVE | for Level C,K |
| 131 | 0831857200 | 0C6370 | ASSIEME COLLETTORE LAV. | CONNECTION,C.S. | |
| 132 | 0696808600 | 0C6374 | GRUPPO VALVOLE CLEANYNG | VALVE GROUP C.S. | for Level TOUCH, B not for 60Hz version |
| 132 | 0696400100 | 0C6373 | GRUPPO VALVOLE CLEANYNG | VALVE GROUP C.S. | for 60 Hz Version |
| 132 | 0696400300 | 0C6406 | GRUPPO VALVOLE CLEANYNG | VALVE GROUP C.S. | for Level C,K |
| 133 | 0546825100 | 0C6222 | FORCELLA SICUREZZA | CLIP | |
| 134 | 0646817200 | 0C6217 | PRESSOSTATO ATTACCO RAPID | WATER PRESSURE SWITCH | |
| 135 | 0513805000 | 0C5426 | STAFFA SUPPORTO SERBATOIO | SUPPORT PLATE | |
| 136 | 0546824100 | 0C6201 | GANCIO SERBATOIO | HOOK | |
| 137 | - | 0C6375 | KIT RIDUTTORI | FLOW REDUCER KIT | |
| 138 | - | 0C6377 | KIT O-RING +BUSSOLA | O-RING +BUSH KIT | |
| 139 | 0219035015 | 0C6421 | ANELLO ELASTICO | ELASTIC RING | |
| 140 | 0505401R00 | 0C7924 | PIASTRINA FISSAGGIO POMPE | FIXING PLAQUE | |
| 141 | 0544400C01 | 0C8348 | VITE TTL | TTL SCREW | Up to 5151... |
| 141 | 0544400C02 | 0CA348 | VITE TTL | TTL SCREW | From 5161... |
| 141a | 0546400J00 | 0C9538 | CAPPUCCIO DI PROT. | PROTECTION CAP | |
| 142 | 0543400R00 | 0C7925 | PASSACAVO | WIRING BUSH | |
| 143 | 0546814600 | 0C2309 | TUBO EXT | EXT. PIPE | |
| 144 | 0246530100 | 005382 | GOMMINO | GASKET | |
| 145 | 0544819400 | 0C5829 | TUBO EPDM BLU | EPDM PIPE | |
| 146 | 0686400100 | 0C8347 | POMPA DEFOND PHOENIX | PHOENIX DEFOND PUMP | Up to 4441... |
| 146 | 0686400201 | 0CA112 | POMPA CEME | CEME PUMP | From 4451... |
| 147 | 0835400L00 | 0C8683 | GRUPPO ENTRATA ACQUA | GROUP WATER INLET | |
| 147 | 0835400M00 | 0C8684 | GRUPPO ENTRATA ACQUA | GROUP WATER INLET | For level C,K |
| | | | Pagina 5 | Page 5 | |
| 200 | 0878401100 | 0C9662 | KIT ASSIEME BOILER | BOILER ASS.Y KIT | |
| 200 | 0878401000 | - | KIT ASSIEME BOILER | BOILER ASS.Y KIT | h1 |
| 201 | 0569806900 | 0C5836 | KIT ISOLAMENTO | KIT INSULATION | |
| 202 | 0543816601 | 002692 | TAPPO | STOPPER | |
| 203 | 0543844800 | 0C5834 | GUARNIZIONE RES. BOILER | GASKET HEAT BOILER | |
| 204 | 0830890500 | 007033 | SONDA DI LIVELLO | LEVEL PROBE | |
| 205 | 0516809501 | 007117 | RACCORDO | CONNECTION | |
| 206 | 0696804201 | 0C0882 | VALVOLA DI SCARICO | DRAIN VALVE | |
| 206 | 0696808500 | 0C5518 | VALVOLA DI SCARICO | DRAIN VALVE | For 60Hz Version |
| 207 | 0511820300 | 0C3847 | MANICOTTO 1"-3/4" | CONNECTION 1"-3/4" | |
| 207a | 0543816800 | 002874 | O-RING | SEALING RING | |
| 208 | 0510828000 | 0C5564 | RESCA D12 FILETT 1/4' GAS | PIPE CONNECTION | |
| 209 | 0516879600 | 0C4099 | UGELLO 'ELPIS'1/4'FD3.5-3/8'M | NOZZLE | |
| 210 | 0543842600 | 0C4872 | TAPPO PER SENSORE | STOPPER FOR SENSOR | |
| 211 | 0527898700 | 0C4856 | FLANGIA CHIUS. FORO BOILER | FLANGE | For Level C,K |
| 212 | 0543842800 | 0C4963 | GUARN. CHIUSURA FORO BOILER | GASKET | For Level C,K |
| 213 | 0546815103 | 0C4532 | PANNELLO FRONTALE INFERIORE | PANNEL | |
| 214 | 0873881200 | 0C4248 | DOCCETTA | SHOWER | up to 5201... |
| 214 | 0875402G00 | 0CA407 | DOCCETTA | SHOWER | for l and h1 from 5211... |
| 215 | 0543844800 | 0C5834 | GUARNIZIONE | GASKET | |
| 216 | 0617836400 | 0C5840 | RES. BOILER (17 kW/400V) | HEAT. EL. BOILER (17 kW/400V) | For 400V Version |
| 216 | 0617836900 | 0C6024 | RESI. BOILER (17 kW/200V) | HEAT. EL. BOILER (17 kW/200V) | For 200V Version |
| 216 | 0617844800 | 0C5843 | RESIST. BOILER (17 kW/230V) | HEAT. EL. BOILER (17kW/230V) | For 230V Version |
| 216 | 0617838300 | 0C5846 | RESIST. BOILER (17 kW/440V) | HEAT. EL. BOILER (17 kW/440V) | For 440V Version |
| 216 | 0617837100 | 0C5821 | RESIST. BOILER (17 kW/208V USA) | HEAT. EL. BOIL. 17 kW/208V USA | For 208V Version |
| 216 | 0617837700 | 0C5824 | RESIST. BOILER (17 kW/240V USA) | HEAT. EL. BOIL. 17 kW/240V USA | For 240V Version |
| 216 | 0617400100 | 0C6939 | RESIST. BOILER (17 kW/480V USA) | HEAT. EL. BOIL. 17 kW/480V USA | For 480V Version |

10 GN 1/1 ELECTRIC CONVECTION / STEAMER OVEN
FORNO CONVEZIONE / VAPORE ELETTRICO 10 GN 1/1

| <i>Pos</i> | <i>Factory Code</i> | <i>6DGT Code</i> | <i>Descrizione</i> | <i>Description</i> | <i>Ref./Note</i> |
|------------|---------------------|------------------|--------------------------------------|--------------------------------------|--|
| 217 | 0543816800 | 002874 | OR BOILER | OR BOILER | |
| 218 | 0527898600 | 0C4821 | FLANGIA BOILER | FLANGE | |
| 219 | 0515857001 | 055347 | DISTANZIALE PER SONDA L=9 | SPACER | |
| 220 | 0543400000 | 0C7033 | GUARNIZIONE PORTELLO | GASKET | for level TOUCH |
| 221 | 0J89061403 | 0C3443 | PORTELLO ISPEZIONE | INSPECTION COVER | |
| 222 | 0546821401 | 0C8597 | PANNELLO FRONTALE INFERIORE | PANEL | For Level B |
| 223 | 0830899101 | 0C6539 | SONDA BYPASS 1100 BIANCO | BYPASS PROBE 1100mm WHITE | for Level TOUCH e B |
| | | | Pagina 6 | Page 6 | |
| 300 | 0806874001 | 0C5600 | MANOPOLA | HANDLE | For level B, C,K |
| 301 | 0214114900 | 051263 | CONTRODADO | LOCK NUT | For level B, C,K |
| 302 | 0508836400 | 002727 | RONDELLA | DISK | For level B, C,K |
| 303 | 0516807301 | 002662 | BOCCOLA | BUSH | For level B, C,K |
| 304 | 0548400500 | 0C6549 | MEMBRANA TOUCH | LAYER LEV. TOUCH | for TOUCH AOS Group |
| 304 | 0548400B00 | 0C6551 | MEMBRANA TOUCH | LAYER LEV. TOUCH | for TOUCH FCZ Group |
| 304 | 0548400F00 | 0C6553 | MEMBRANA LIV.B | LAYER LEV. B | for Level B AOS Group |
| 304 | 0675855002 | 0C4948 | MEMBRANA LIV.B | LAYER LEV. B | for Level B FCZ Group |
| 304 | 0548400J00 | 0C6556 | MEMBRANA LIV.C | LAYER LEV. C | for Level C AOS Group |
| 304 | 0675855103 | 0C4949 | MEMBRANA LIV.C | LAYER LEV. C | for Level C FCZ Group |
| 304 | 0548401900 | 0C8084 | MEMBRANA LIV.C BAKERY | LAYER LEV.C BAKERY | for Level C Bakery |
| 304 | 0675847601 | 0C7961 | MEMBRANA NANDO'S | LAYER NANDO'S | For Nando's Model |
| 304 | 0548401G00 | 0C8706 | MEMBRANA LIV. TOUCH "K" | LAYER TOUCH "K" AOS MODELS | For Level Touch "K" AOS Group |
| 305 | 0870400501 | 0C6582 | CRUSCOTTO TOUCH (NO MEMBR.) | CONT.PANEL TOUCH (NO LAYER) | for TOUCH AOS Group |
| 305 | 0870400J00 | 0C6592 | CRUSCOTTO TOUCH (NO MEMBR.) | CONT.PANEL TOUCH (NO LAYER) | for TOUCH FCZ group |
| 305 | 0870400600 | 0C6583 | CRUSCOTTO LIV. B (NO MEMBR.) | CONT.PANEL LEV. B (NO LAYER) | for Level B AOS Group |
| 305 | 0873896002 | 0C4902 | CRUSCOTTO LIV. B (NO MEMBR.) | CONT.PANEL LEV. B (NO LAYER) | for Level B FCZ Group |
| 305 | 0870400K00 | 0C6593 | CRUSCOTTO LIV. C (NO MEMBR.) | CONT.PANEL LEV. C (NO LAYER) | for Level C AOS Group |
| 305 | 0873896102 | 0C4903 | CRUSCOTTO LIV. C (NO MEMBR.) | CONT.PANEL LEV. C (NO LAYER) | for Level C FCZ Group |
| 305 | 0873895902 | 0C4901 | CRUSCOTTO NANDO'S | CONT.PANEL NANDO'S | For Nando's Model |
| 305 | 0875401U00 | 0C8711 | CRUSCOTTO LIV.TOUCH "K" CON MEMBRANA | CONTROL PANEL TOUCH "K" WITH LAYER | For Level Touch "K" AOS Group |
| 307 | 675400A00 | 0C6571 | SCHEDA USER INTERFACE LIV.TOUCH | USER INTERF. BOARD, LEV. TOUCH | for Level TOUCH,K up to 2441... |
| 307 | 675400P01 | 0C8805 | SCHEDA USER INTERFACE LIV.TOUCH | USER INTERF. BOARD, LEV. TOUCH | for Level TOUCH,K from 2451... up to 4481... |
| 307 | 675400P03 | 0CA070 | SCHEDA USER INTERFACE LIV.TOUCH | USER INTERF. BOARD, LEV. TOUCH | for Level TOUCH,K from 4491... |
| 307 | 0675838802 | 0C0041 | SCHEDA USER INTERFACE LIV. B | USER INTERF. BOARD, LEV. B | for Level B |
| 307 | 0675854600 | 0C4891 | SCHEDA USER INTERFACE LIV. C | USER INTERF. BOARD, LEV. C | for Level C |
| 307 | 0675854602 | 0C7350 | SCHEDA USER INTERFACE LIV.C(1/2 VEL) | USER INTERF. BOARD,LEV. C (1/2SPEED) | for level C (stard s/n 120...) |
| 307 | 0675847701 | 0C3915 | SCHEDA USER INTERFACE NANDO'S | USER INTERFACE NANDO'S | for Nando's model up to 114... |
| 307 | 0675837904 | 0C0043 | SCHEDA USER INTERFACE NANDO'S | USER INTERFACE NANDO'S | for Nando's model from to115.. |
| 308 | 0675400801 | 0C6570 | SCHEDA POWER TOUCH | MAIN POWER TOUCH | for Level TOUCH,K |
| 308 | 0675851401 | 0C3916 | SCHEDA POWER | MAIN POWER | For Nando's up to 114... |
| 308 | 0675837808 | 0C0042 | SCHEDA POWER | MAIN POWER | for Level B, C,Nando's from 115... |
| 309 | 0546824600 | 0C5833 | PROLUNGA PULSANTE | PROLONG | for Level B, C,K |
| - | 0546814001 | 0C3750 | DISTANZIALE ARCHETTO NYLON | SPACER NYLON | for Level B, C ,K |
| - | 0633847400 | 0C6564 | CABLAGGIO USER - POWER | MAIN - USER CABLE | for TOUCH level |
| 310 | 0638400Y00 | 0C6566 | CAVO PROLUNGA USB | USB CABLE | for TOUCH level |
| - | 0638400P00 | 0C6565 | CAVO ALIMENTAZIONE USER | SUPPLY CABLE USER | for TOUCH level |
| 311 | 0652803300 | 0C1480 | FUSIBILE OMEGA 5X20 6,3A T | FUSE OMEGA 5X20 6,3A T | |
| 311 | 0652806100 | 0C4996 | FUSIBILE 5X20 3.15A T | FUSE 5X20 3.15A T | |
| 311 | 0652800901 | 058871 | FUSIBILE RAPIDO 6.30 A | FUSE FAST 6.3 A | For E,F1 |
| 311 | 0652803900 | 0C2301 | FUSIBILE OMEGA 800MA | FUSE OMEGA 800MA | For 400V; 230V |
| 311 | 0652803100 | 0C6034 | FUSIBILE 1,6A OMEGA | FUSE 1,6A OMEGA | For 200V |

| 10 GN 1/1 ELECTRIC CONVECTION / STEAMER OVEN FORNO CONVEZIONE / VAPORE ELETTRICO 10 GN 1/1 | | | | | | |
|---|---------------------|------------------|----------------------------|----------------------|---|---|
| <i>Pos</i> | <i>Factory Code</i> | <i>6DGT Code</i> | <i>Descrizione</i> | <i>Description</i> | <i>Ref./Note</i> | |
| 311 | 0652805200 | 0C2236 | FUSIBILE 1,6A WEBER | FUSE 1,6A WEBER | For 200V | |
| 311 | 0652804900 | 0C3650 | FUSIBILE 3,15A | FUSE 3,15A | For Marine Version | |
| 311 | 0652805100 | 0C2230 | FUSIBILE RAPIDO 6.30 x3.2A | FUSE FAST 6.3 x 3.2A | For Marine Version | |
| 311 | 0652803300 | 0C1480 | FUSIBILE 6,3 A | FUSE 6,3 A | For 208V; 240V ; 480V | |
| 311 | 0652400000 | 0C6946 | FUSIBILE 3,15A T | FUSE 3,15 A T | For 480V | |
| 312 | 0652802100 | 0F0031 | PORTAFUSIBILE | FUSE HOLDER | For 400V; 230V | |
| 312 | 0652804800 | 0C2228 | PORTAFUSIBILE | FUSE HOLDER | For Marine Version | |
| 313 | 0646812200 | 007042 | LIMITATORE, CELLA | LIMITER, CAVITY | for USA models and I1 | |
| 313 | 0646810802 | 006314 | LIMITATORE, CELLA | LIMITER, CAVITY | | |
| 314 | 0508840801 | 002628 | FLANGIA | FLANGE | Up to 4361... From 4371... | |
| 315 | 0574804900 | 002627 | VETRO | GLASS | | |
| 316 | 0543817202 | 002626 | GUARNIZIONE | GASKET | | |
| 317 | 0660808300 | 0C4396 | LAMPADA ALOGENA | HALOGEN LAMP | | |
| 317 | 0660400100 | 0C9877 | LAMPADA ALOGENA | HALOGEN LAMP | | |
| 318 | 0660806401 | 007055 | PORTALAMPADA | LAMP HOLDER | | |
| 319 | 0508896801 | 007081 | FARFALLA | CLOSER | | |
| 320 | 0680802300 | 0C5501 | MOTORIDUTTORE | MOTOREDUCER | | Up to 219... |
| 320 | 0680400100 | 0C8687 | MOTORIDUTTORE | MOTOREDUCER | | From 220... |
| 320 | 0680802400 | 0C5502 | MOTORIDUTTORE | MOTOREDUCER | | Up to 244... for USA models From 245... |
| 320 | 0680802B00 | 0C8695 | MOTORIDUTTORE | MOTOREDUCER | for USA models and pos. I1 | |
| 321 | 0856832702 | 0C5525 | ASTA | SHAFT | not for Marine e USA | |
| 322 | 0543828600 | 007053 | GUARNIZIONE | GASKET | | |
| 323 | 0831855200 | 0C5528 | CONDOTTO ARIA | DUCT, AIR | | |
| 324 | 0624811000 | 0C4106 | VENTILATORE | FAN | | |
| 325 | 0694605400 | 049303 | FILTRO ANTIDISTURBO | FILTER | | |
| 326 | 0639808600 | 0F0112 | MORSETTIERA | TERMINAL BOARD | | |
| 326 | 0639813100 | 0C6028 | MORSETTIERA | TERMINAL BOARD | | |
| 327 | 0694604400 | 047541 | CONDENSATORE 12.5 MF | CAPACITOR 12.5 MF | | |
| 327 | 0694806000 | 0C5526 | CONDENSATORE DA 8 MF | CAPACITOR 8 MF | | For 200V Version for Level K, Touch, A e B not for USA models for Level C – not marine and USA models |
| 328 | 0624400100 | 0C6895 | TRASFORMATORE | TRANSFORMER | | Up to 3291 except for Japan, USA and Marine models |
| 328 | 0624400900 | 0C9557 | TRASFORMATORE | TRANSFORMER | From 3301 except for Japan, USA and Marine models | |
| 328 | 0624807100 | 007046 | TRASFORMATORE | TRANSFORMER | For Japan models | |
| 328 | 0624807700 | 0C0949 | TRASFORMATORE | TRANSFORMER | for Marine models except for I1 | |
| 329 | 0648803001 | 058857 | RELE | RELE | For 60Hz Version | |
| 329 | 0648722900 | 088267 | RELE | RELE | | |
| 330 | 0624807002 | 007047 | ALIMENTATORE SWITCHING | SWITCHING FEEDER | For 400V Version | |
| 331 | 0648807300 | 088477 | CONTATTORE K3-10A | CONTACTOR K3-10A | | |
| 331 | 0648807400 | 006879 | CONTATTORE K3-18A | CONTACTOR K3-18A | For 230V; 200V; 208V; 240V | |
| 331 | 0648807700 | 007080 | CONTATTORE K3-32A | CONTACTOR K3-32A | | |
| 331 | 0648613200 | 0L0355 | CONTATTORE K3-24A00 | CONTACTOR K3-24A00 | For 480V | |
| 331 | 0648400000 | 088557 | CONTATTORE K1-09D10 | CONTACTOR K1-09D10 | For 480V | |
| 332 | 0509803900 | 0C4459 | RIFLETTORE | REFLECTOR | For Marine Version | |
| 333 | 0648802601 | 056466 | INT MAGNETO TERMICO | MAGN. THERM. SWITCH | | |
| 334 | 0624400002 | 0C6945 | TRASFORMATORE | TRANSFORMER | For USA models and I1 | |
| 335 | 0648802601 | 056466 | RELE | RELE | For 60Hz Version | |
| 336 | 0543843500 | 0C5451 | GUARNIZIONE | GASKET | for Level TOUCH e B except for USA and I1 | |
| 337 | 0646814900 | 0C2983 | LIMITATORE, BOILER | LIMITATORE, BOILER | | |

**10 GN 1/1 ELECTRIC CONVECTION / STEAMER OVEN
FORNO CONVEZIONE / VAPORE ELETTRICO 10 GN 1/1**

| <i>Pos</i> | <i>Factory Code</i> | <i>6DGT Code</i> | <i>Descrizione</i> | <i>Description</i> | <i>Ref./Note</i> | |
|------------|---------------------|------------------|-----------------------------|---------------------------|--|-----------------|
| 337 | 0646810902 | 006433 | LIMITATORE, BOILER | LIMITATORE, BOILER | USA (touch and B) and I1 for TOUCH level for TOUCH level | |
| 338 | 0546400200 | 0C6547 | VASCHETTA USB | USB PLUG | | |
| 339 | 0541400A00 | 0C6546 | COPERTURA USB | USB COVER | | |
| 342 | 0675858601 | 0C8033 | TASTO ON-OFF(INTER.PRINC) | ON-OFF(MAIN SWITCH) | | For TOUCH level |
| 343 | 0648722900 | 088267 | RELE' SICUREZZA | SECURITY RELE | | |
| 344 | 0831851002 | 0C4934 | ASSIEME FILTRO CRUSCOTTO | ASS. FILTER CONTROL PANEL | | |
| 345 | 0549400F00 | 0C9991 | FILTRO CRUSCOTTO | FILTER CONTROL PANEL | | |
| | | | Pagina 7 | Page 7 | | |
| 400 | 0831849200 | 0C4862 | PORTATEGLIE DX P60 | TRAY SUPPORT DX P60 | For P 60 Version | |
| 400 | 0831852400 | 0C5015 | PORTATEGLIE DX P80 | TRAY SUPPORT DX P80 | For P 80 Version | |
| 401 | 0831848900 | 0C4861 | PORTATEGLIE SX P60 | TRAY SUPPORT SX P60 | For P 60 Version | |
| 401 | 0831852300 | 0C5014 | PORTATEGLIE SX P80 | TRAY SUPPORT SX P80 | For P 80 Version | |
| 402 | 0806872800 | 0C4961 | SUPPORTO CON S.G. | SUPPORT S.G. | | |
| 403 | 0511828100 | 0C5620 | SUPPORTO | SUPPORT | | |
| * | 0527839102 | 0C1567 | ELEM. DX PER STRUTTURA | DX ELEMENT | For Marine Version | |
| * | 0527839202 | 0C1568 | ELEM. SX PER STRUTTURA | SX ELEMENT | For Marine Version | |
| * | 0853852705 | 0C3458 | ASS.STR. PORTATEGLIE | TRAY SUPPORT | For Marine Version | |
| | | | SONDE DI TEMPERATURA | TEMPERATURE PROBES | | |
| | 0830400N00 | 0C7028 | SONDA CELLA 500mm ROSSA | CAVITY PROBE 500mm RED | for Level TOUCH e B for Level TOUCH e B | |
| | 0830899001 | 0C0325 | SONDA BOILER 800mm AZZURRA | BOILER PROBE 800mm BLUE | | |
| | 0830899101 | 0C6539 | SONDA BYPASS 1100 BIANCO | BYPASS PROBE 1100mm WHITE | | |