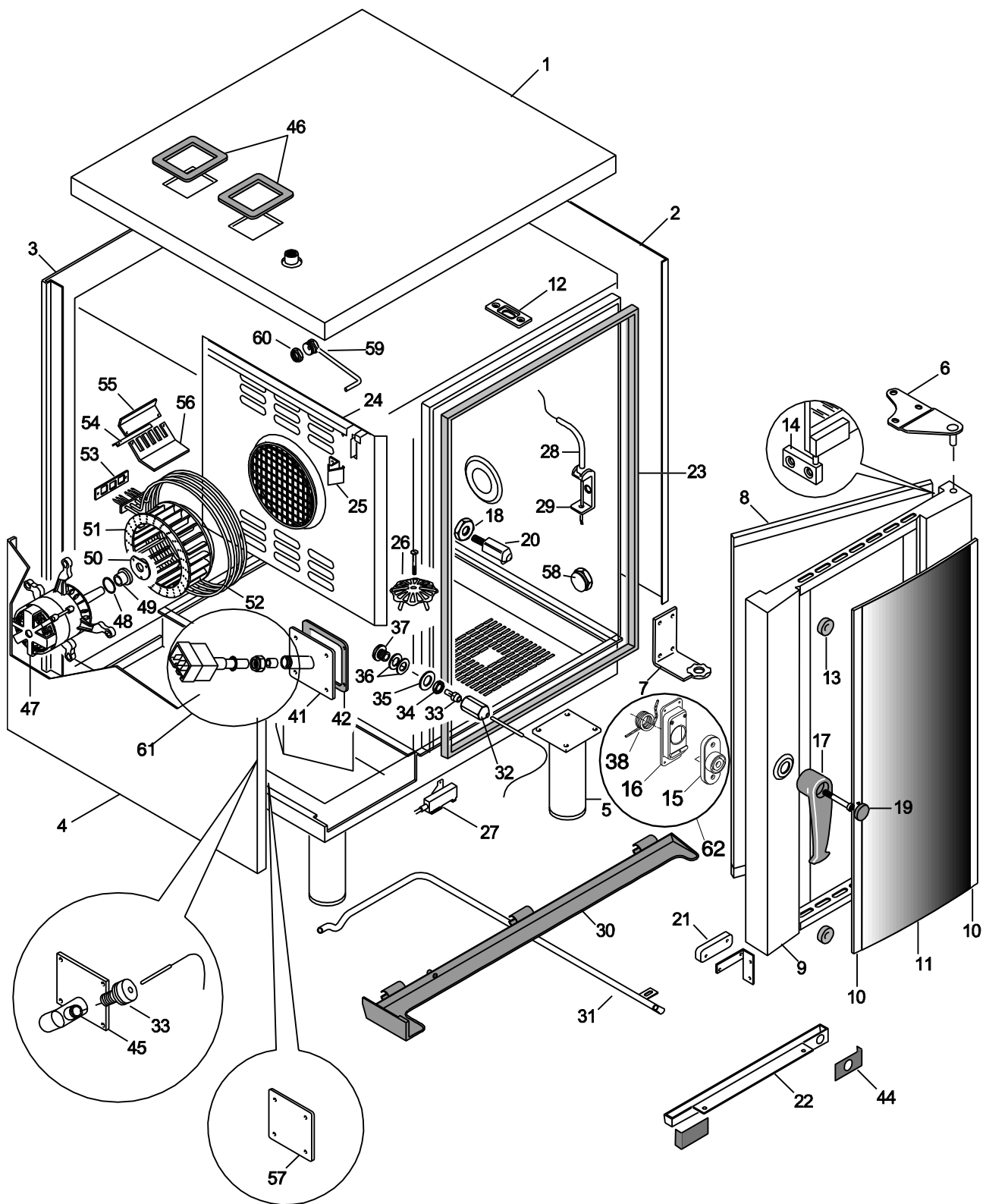


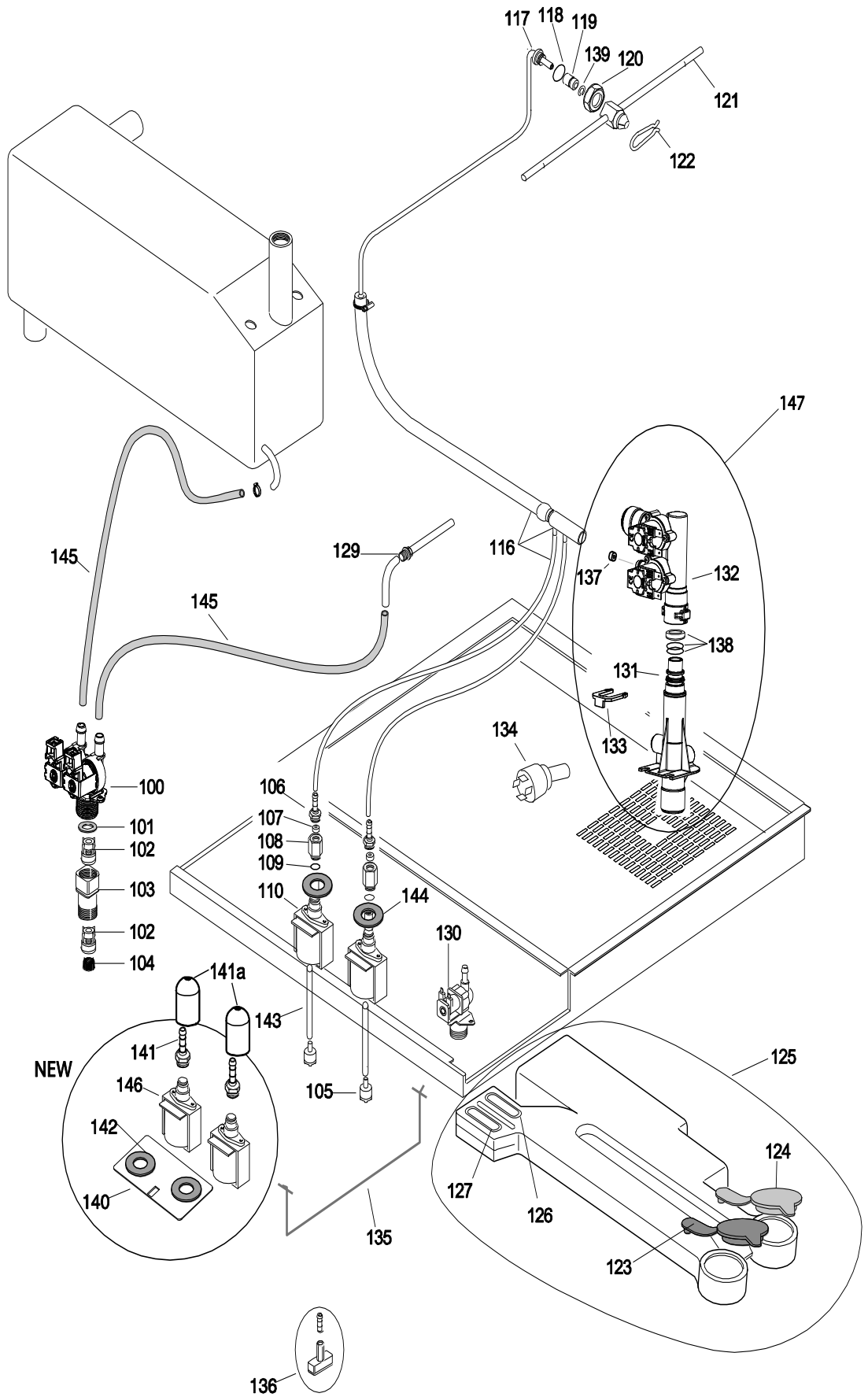
10 GN 1/1 ELECTRIC CONVECTION / STEAM OVEN
FORNO CONVEZIONE / VAPORE ELETTRICO 10 GN 1/1

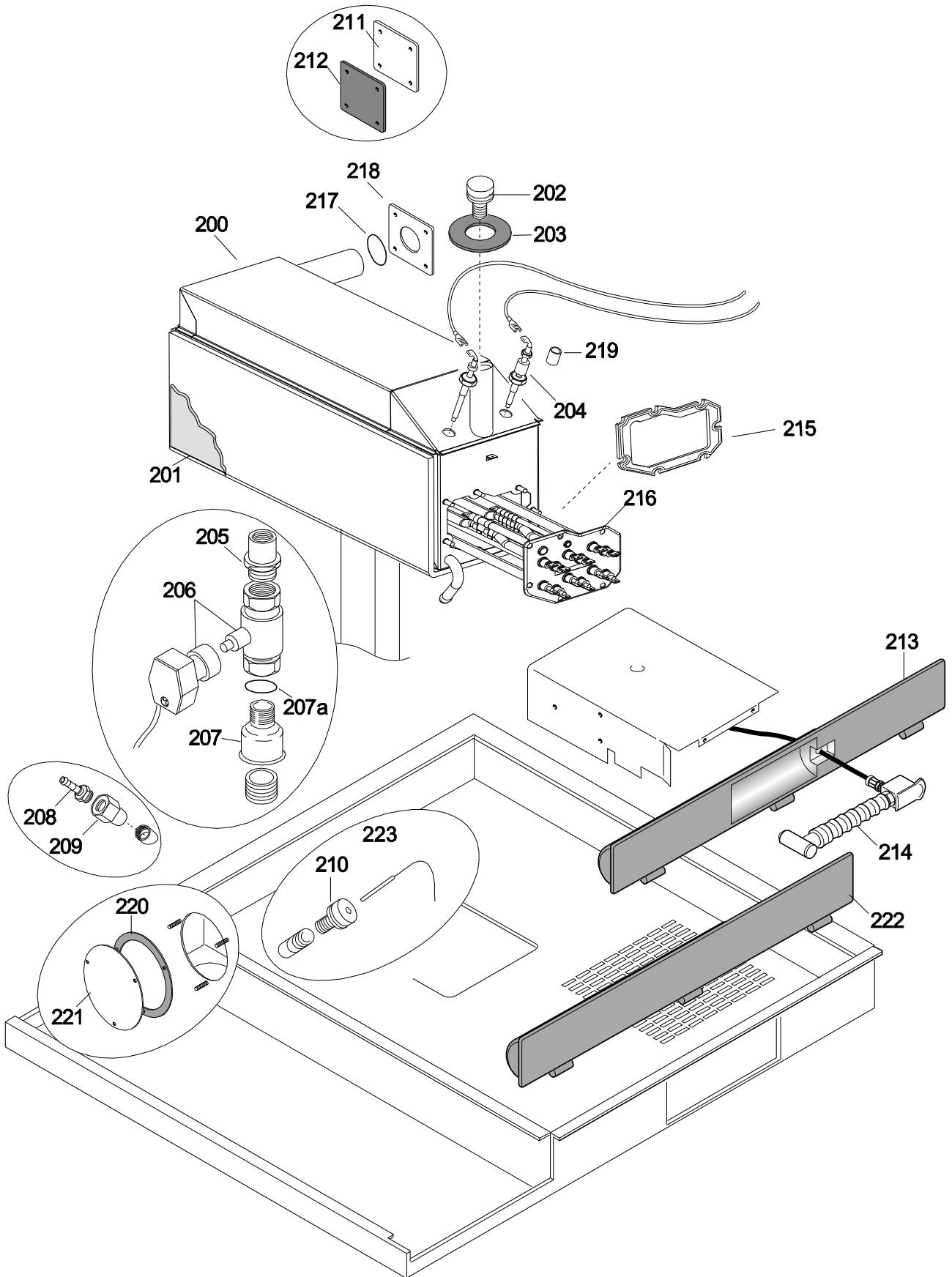
PNC	Model	Ref	Group	Level	Page	Notes
646062	HOR101EKG	m	DIA	Level K	2...10	400V 3N 50Hz
647002	EJN101EAA	a	EJN	Level A	2...10	STD (400V - 3N)
647062	HOR101EAA	b	HOR	Level A	2...10	HORECALAND (400V - 3N)
647072	RDR101EAA	c	RDR	Level A	2...10	ROEDER (400V - 3N)
648002	EJN101EBA	d	EJN	Level B	2...10	STD (400V - 3N)
648062	HOR101EBA	e	HOR	Level B	2...10	HORECALAND (400V - 3N)
648072	RDR101EBA	f	RDR	Level B	2...10	ROEDER (400V - 3N)
648212	FCZ101EBAE	n	EMP	Level B	2...10	400V 3N 50Hz
649002	EJN101ECA	g	EJN	Level C	2...10	STD (400V - 3N)
649062	HOR101ECA	h	HOR	Level C	2...10	HORECALAND (400V - 3N)
649072	RDR101ECA	i	RDR	Level C	2...10	ROEDER (400V - 3N)
649132	HOR101ECN	l	HOR	Level C	2...10	HORECALAND (230V - 3N)

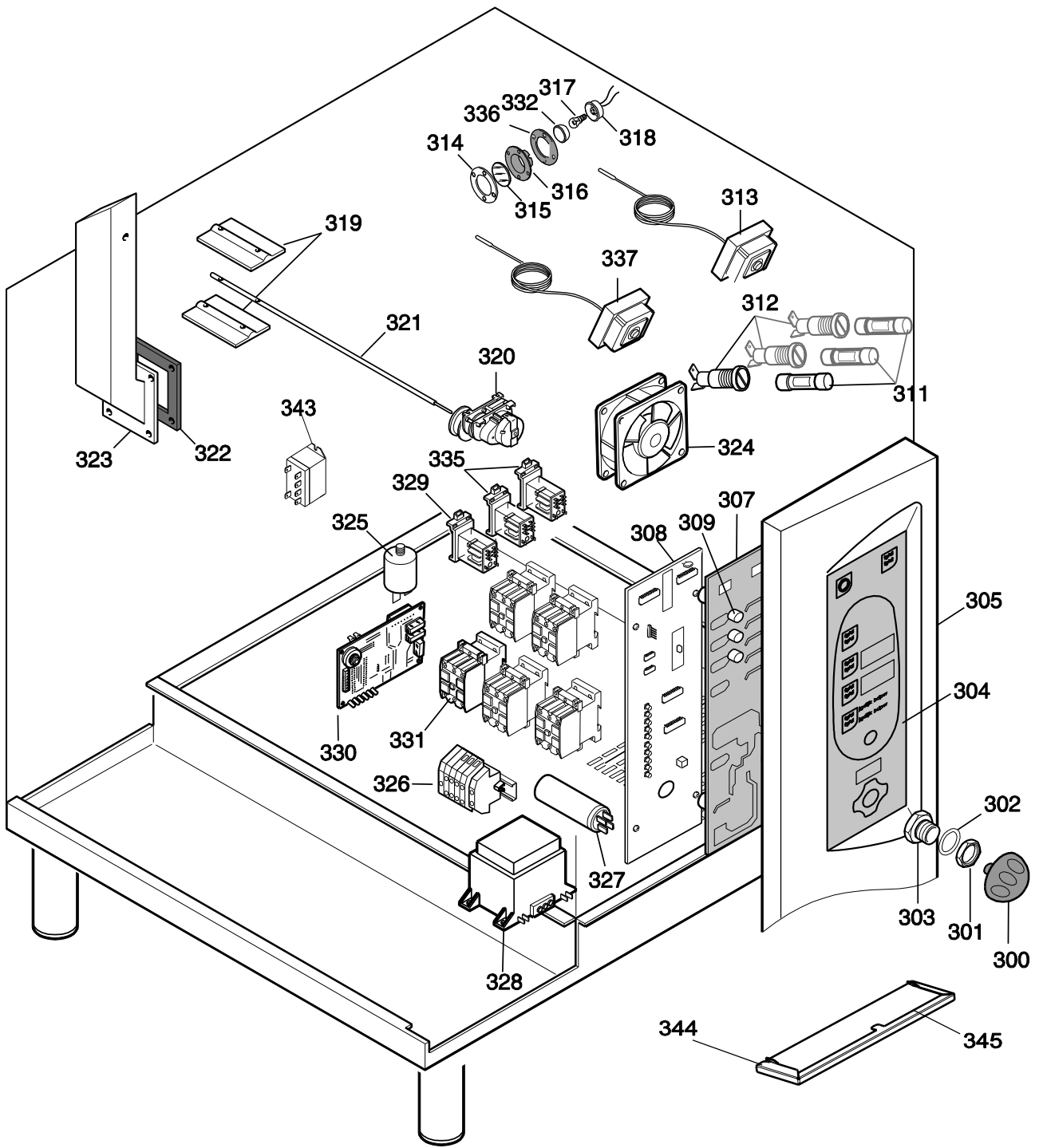
Pag	Index	Indice	Note
2	Oven cabinet and door.	Cella forno e porta	
3	Water system	Impianto idraulico	
4	Boiler	Boiler	
5	Electrical components	Componenti elettrici	
6	Accessories	Accessori	
7...10	Spare parts list	Lista ricambi	

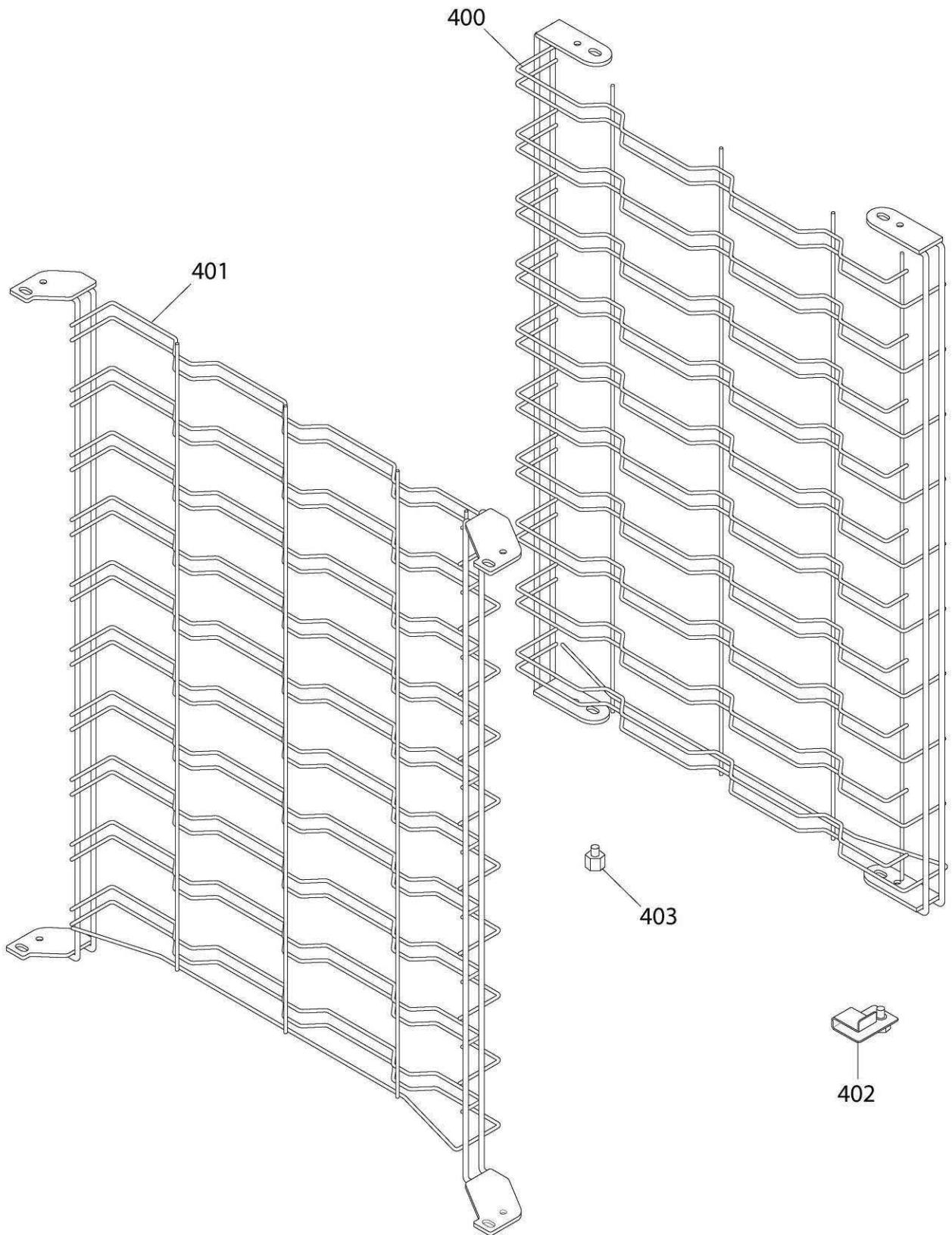
Brand/Marchio: All
Factory code: 9PDD











10 GN 1/1 ELECTRIC CONVECTION / STEAMER OVEN
FORNO CONVEZIONE / VAPORE ELETTRICO 10 GN 1/1

<i>Pos</i>	<i>Factory Code</i>	<i>6DGT Code</i>	<i>Descrizione</i>	<i>Description</i>	<i>Ref./Note</i>
			Pagina 2	Page 2	
1	0590831300	0C6177	COPERCHIO	COVER	
2	0530890900	0C6174	FIANCO DX	RIGHT SIDE PANEL	
3	0530892700	0C6190	SCHIENALE	BACK PANEL	
4	0530893300	0C6196	FIANCO SX	LEFT SIDE PANEL	
5	0831850900	0C4892	PIEDINO	FOOT	From 2008/01 up to 2012/18 Up to 2007/52 from 2012/19
5	0831842202	0C4233	PIEDINO	FOOT	
6	0806847803	0C4234	CERNIERA SUPERIORE	UPPER HINGE	
7	0806861600	0C4235	CERNIERA INFERIORE	LOWER HINGE	
8	0873869902	0C4470	VETRO INTERNO	INNER GLASS	
9	0873858407	0C4960	PORTA COMPLETA	COMPLETE DOOR	up to 005
9	0879400502	0C6601	PORTA COMPLETA	COMPLETE DOOR	from 006
10	0806859302	0C4476	PROFILO DX-SX	RIGHT AND LEFT TRIM	
11	0574819101	0C4953	VETRO ESTERNO	EXTERNAL GLASS	For EJN Version
11	0574818501	0C4943	VETRO ESTERNO	EXTERNAL GLASS	For EMP version
11	0574819601	0C5008	VETRO ESTERNO	EXTERNAL GLASS	For HOR-RDR-DIA version
12	0543839700	0C4088	GUARNIZIONE SPILLONE	GASKET	
13	0543828001	006976	AMMORTIZZATORE	DAMPER	
14	0806822000	007007	CERNIERA VETRO INTERNO	HINGE, INNER GLASS	
15	0835871801	0C4089	GR.CHIUSURA A SCATTO 'HRS'	CLOSING MECHANISM	
16	0510824200	0C4237	SUPPORTO GR.CHIUSURA	SUPPORTO	
17	0548871500	0C4090	MANIGLIA CHIUSURA	DOOR HANDLE	
18	0516896400	0C4238	DADO FISSAGGIO	NUT FOR DOOR CATCHER	
19	0546822600	0C4091	TAPPO PER MANIGLIA 'HRS'	DOOR COVER HANDLE	
20	0806859900	0C4092	NASELLO	DOOR CATCHER	
20	0806859100	0C6010	NASELLO 2 SCATTI	DOOR CATCHER 2 STEP	For HOR, RDR, DIA version
21	0699603700	049627	MAGNETE	MAGNET	
22	0528869501	0C4239	VASCHETTA RACC.CONDENSE	DOOR DRAIN TRAY	
23	0831846901	0C1477	GUARNIZIONE CELLA-PORTA	GASKET	
24	0830892205	0C4619	PARETE DI ASPIRAZIONE	SUCTION WALL	
25	0518807301	0C3423	MOLLA AGGANCIAMENTO PARETE	SPRING	
26	0518808600	0C1740	FILTRO FONDO	FILTER	
27	0654600000	049621	INTERRUTTORE MAGNETICO	MAGNETIC SWITCH	
28	0831831000	0C4240	SPILLONE MULTIPOINT	MEAT PROBE MULTI POINT	For Level A
28	0831830700	0C4241	SPILLONE SINGOLO PUNTO	MEAT PROBE SINGLE POINT	For Level B, C
29	0527865201	0C1505	SUPPORTO SPILLONE	MEAT PROBE SUPPORT	
30	0856814000	0C4242	BACINELLA SNODABILE	DRAIN TRAY	
31	0806858800	0C4243	TUBO PER CONDENSE 1/1	DRAIN TUBE	
32	0516855300	006991	DADO SONDA CELLA	NUT, CAVITY PROBE	
33	0543842600	0C4872	TAPPO PER SENSORE	STOPPER FOR SENSOR	
34	0214105101	020997	CONTRODADO PORTAUGELLO	LOCK NUT	
35	0516809301	002701	RONDELLA TENUTA SONDA	WASHER	
36	0543816300	002624	GUARNIZIONE PER SONDA	GASKET	
37	0516809400	002623	RACCORDO SONDA CELLA	CONNECTION, CAVITY PROBE	
38	0518818000	0C8561	MOLLA PER CHIUSURA	SPRING	
41	0806857201	0C4244	COND. FLANGIATO SONDA	FLANGE TUBE	For Level A
42	0543838300	0C4093	GUARNIZIONE BYPASS/LAMBDA	GASKET	
44	0543841300	0C4094	GUARN. VASC. COND. PORTA	GASKET	
45	0806873000	0C6351	CONDOTTO FLANGIATO BY-PASS	DUCT, BYPASS PROBE	For Level B, C
46	0543828901	007005	GUARN. COND. ARIA-COPERC.	GASKET, DUCT	
47	0611806001	006998	MOTORE	MOTOR	For Level A,B
47	0611809000	0C5287	MOTORE	MOTOR	For Level C
48	0543816700	002873	O RING	O RING	
49	0516808902	002699	CUSCINETTO	BEARING	
50	0538815400	0C4138	FLANGIA FISS.TENUTA MOTORE	FLANGE	

**10 GN 1/1 ELECTRIC CONVECTION / STEAMER OVEN
FORNO CONVEZIONE / VAPORE ELETTRICO 10 GN 1/1**

<i>Pos</i>	<i>Factory Code</i>	<i>6DGT Code</i>	<i>Descrizione</i>	<i>Description</i>	<i>Ref./Note</i>
51	0835400800	-	VENTOLA	FAN	
52	0617823801	007064	RESISTENZA (5.6 kW/400V)	HEATING ELEM. (5.6 kW/400V)	
53	0543816501	002689	GUARNIZIONE RESIST. CELLA	GASKET, CAVITY HEATING EL.	
54	0503897402	006253	ANGOLARE RESISTENZE	SUPPORT	
55	0503891801	006256	LAMA FISSAGGIO RESISTENZE	SUPPORT	
56	0505404N00	0C3830	SUPPORTO RESISTENZE	SUPPORT	
57	0527898900	0C4857	PIASTRA CHIUSURA	FLANGE	for Level C
59	0856828400	0C4975	CONDOTTO UMIDIFICATORE	HUMIDIFIER PIPNG	for Level C
60	0516887101	0C6228	DADO CONDOTTO	NUT HUMIDIFIER	for Level C
61	-	0C6465	KIT SONDA LAMBDA	LAMBDA KIT	for Level A
62	0835872002	0C4477	ASSIEME CHIUSURA PORTA	COMPLETE CLOSING MECH.	Up to 6081...
62	0835402M00	*	ASSIEME CHIUSURA PORTA	COMPLETE CLOSING MECH.	From 6091...
64	0830898902	0C6538	SENSORE TEMPERATURA	TEMP. PROBE	
65	0830899101	0C6539	SENSORE TEMPERATURA	TEMP. PROBE	
66	0543400900	0C7016	GUARNIZIONE PER TUBO	PIPE GASKET	
67	0543816601	002692	TAPPO CARICO DISINCROST.	RECHARGE CAP FOR SCALER	
68	0543843201	0C4965	GOMMINO CHIUSURA ING.DISIN	GASKET	
			Pagina 3	Page 3	
100	0696808300	0C5516	ELETTROVALVOLA 2 VIE	WATER VALVE 2 WAYS	for Level A,B
101	0543840600	0C4096	GUARNIZIONE FILTRO REFLEX	GASKET	for Level A,B
102	0549801800	0C2312	VALVOLA NON RITORNO	NOT RE-FLOW VALVE	for Level A,B
103	0516879400	0C2313	RACCORDO ENTRATA ACQUA	PIPE FITTING	for Level A,B
105	0831811400	0C1155	ASSIEME FILTRO	FILTER	for Level A,C
106	0516896101	0C4198	RACCORDO PORTAGOMMA	PIPE FITTING	for Level A,C
107	0544809000	0C1117	VALVOLA NON RITORNO	NOT RE-FLOW VALVE	for Level A,C
108	0516871900	0C1116	RACCORDO PER POMPA	CONNECTION, PUPM	for Level A,C
109	0543832300	0C1935	O-RING	O-RING	for Level A,C
110	0680801201	0C2341	POMPA	PUMP	for Level A,C
		0C4246	ASSIEME COLL. LAVAGGIO	CONNECTION,C.S.	for Level A,C
116	0806864300		ASSIEME COLL. LAVAGGIO	CONNECTION,C.S.	up to 924...
116	0805400201	0C6202			for Level A,C,DIA, EMP from 925...
117	0806871100	0C6031	ASS. SUPP. ATTACCO GETTO	SUPPORT	for Level A,C
118	0543841400	0C4201	GUARNIZIONE IN RAME	COPPER GARKET	for Level A,C
119	0516898301	0C4467	CUSCINETTO GETTO ROTANTE	BEARING	for Level A,C
120	0516896000	0C4202	DADO	NUT	for Level A,C
121	0806873900	0C5503	GETTO ROTANTE	ROTATING WASHING JET	for Level A,C
122	0518807100	007026	MOLLA	SPRING	for Level A,C
123	0544808100	0C1151	TAPPO PER SERBATOIO BLU	BLUE CUP	for Level A,C
124	0544808200	0C1152	TAPPO PER SERBATOIO ROSSO	RED CUP	for Level A,C
125	0544808001	0C4426	SERBATOIO DETERGENTE-BRIL	TANK	for Level A,C
126	0544808900	0C1154	PARATIA PER SERBATOIO ROSSO	RED BULKHEAD	for Level A,C
127	0544808400	0C1153	PARATIA PER SERBATOIO BLU	BLUE BULKHEAD	for Level A,C
129	0H22982600	007012	TUBO UMIDIFICATORE	HUMIDIFIER PIPE	for Level A, B
129	0856828600	0C4977	TUBO UMIDIFICATORE	HUMIDIFIER PIPE	for Level C
130	0696808801	0C6170	ELETTROVALVOLA	WATER VALVE	for Level B
130	0696808200	0C5515	ELETTROVALVOLA	WATER VALVE	for Level C
131	0831857200	0C6370	ASSIEME COLLETTORE LAV.	CONNECTION,C.S.	
132	0696808600	0C6374	GRUPPO VALVOLE CLEANYNG	VALVE GROUP C.S.	for Level A
132	0696400300	0C6406	GRUPPO VALVOLE CLEANYNG	VALVE GROUP C.S.	for Level C
133	0546825100	0C6222	FORCELLA SICUREZZA	CLIP	
134	0646817200	0C6217	PRESSOSTATO ATTACCO RAPID	WATER PRESSURE SWITCH	for Level A,C
135	0513805000	0C5426	STAFFA SUPPORTO SERBATOIO	SUPPORT PLATE	for Level A,C
136	0546824100	0C6201	GANCIO SERBATOIO	HOOK	for Level A,C
137	-	0C6375	KIT RIDUTTORI	FLOW REDUCER KIT	for Level A,C
138	-	0C6377	KIT O-RING +BUSSOLA	O-RING +BUSH KIT	for Level A,C
139	0219035015	0C6421	ANELLO ELASTICO	ELASTIC RING	for Level A,C
140	0505401R00	0C7924	PIASTRINA FISSAGGIO POMPE	FIXING PLAQUE	

**10 GN 1/1 ELECTRIC CONVECTION / STEAMER OVEN
FORNO CONVEZIONE / VAPORE ELETTRICO 10 GN 1/1**

<i>Pos</i>	<i>Factory Code</i>	<i>6DGT Code</i>	<i>Descrizione</i>	<i>Description</i>	<i>Ref./Note</i>
141	0544400C01	0C8348	VITE TTL	TTL SCREW	Up to 5151...
141	0544400C02	0CA348	VITE TTL	TTL SCREW	From 5161...
141a	0546400J00	0C9538	CAPPUCCIO DI PROT.	PROTECTION CAP	
142	0543400R00	0C7925	PASSACAVO	WIRING BUSH	
143	0546814600	0C2309	TUBO EXT	EXT. PIPE	
144	0246530100	005382	GOMMINO	GASKET	
145	0544819400	0C5829	TUBO EPDM BLU	EPDM PIPE	
146	0686400100	0C8347	POMPA DEFOND PHOENIX	PHOENIX DEFOND PUMP	Up to 4441...
146	0686400201	0CA112	POMPA CEME	CEME PUMP	From 4451...
147	0835400L00	0C8683	GRUPPO ENTRATA ACQUA	GROUP WATER INLET	
147	0835400M00	0C8684	GRUPPO ENTRATA ACQUA	GROUP WATER INLET	For level C
			Pagina 4	Page 4	
200	0831854701	0C5848	ASSIEME BOILER	BOILER ASS.Y	
201	0569806900	0C5836	KIT ISOLAMENTO	KIT INSULATION	
202	0543816601	002692	TAPPO	STOPPER	
203	0543844800	0C5834	GUARNIZIONE	GASKET	
204	0830890500	007033	SONDA DI LIVELLO	LEVEL PROBE	
205	0516809501	007117	RACCORDO	CONNECTION	
206	0696804201	0C0882	VALVOLA DI SCARICO	DRAIN VALVE	
207	0511820300	0C3847	MANICOTTO 1"-3/4"	CONNECTION 1"-3/4"	
207a	0543816800	002874	O-RING	SEALING RING	
208	0510828000	0C5564	RESCA D12 FILETT 1/4' GAS	PIPE CONNECTION	
209	0516879600	0C4099	UGELLO 'ELPIS'1/4'FD3.5-3/8'M	NOZZLE	
210	0543842600	0C4872	TAPPO PER SENSORE	STOPPER FOR SENSOR	
211	0527898700	0C4856	FLANGIA CHIUS. FORO BOILER	FLANGE	For Level C
212	0543842800	0C4963	GUARN. CHIUSURA FORO BOILER	GASKET	For Level C
213	0546815103	0C4532	PANNELLO FRONTALE INFERIORE	PANNEL	
214	0873881200	0C4248	DOCCETTA	SHOWER	
215	0543844800	0C5834	GUARNIZIONE BOILER	GASKET BOILER	
216	0617836400	0C5840	RES. BOILER (17 kW/400V)	HEAT. EL. BOILER (17 kW/400V)	
217	0543816800	002874	OR BOILER	OR BOILER	
218	0527898600	0C4821	FLANGIA BOILER	FLANGE	
219	0515857001	055347	DISTANZIALE PER SONDA L=9	SPACER	
220	0543839600	0C3442	GUARNIZIONE PORTELLO	GASKET	
221	0J89061403	0C3443	PORTELLO ISPEZIONE	INSPECTION COVER	
222	0546821401	0C8597	PANNELLO FRONT. INFERIORE	PANEL	For Level B
223	0830899100	0C0326	SONDA BYPASS (L 1200)	BYPASS PROBE (L 1200)	Up to 152
223	0830899101	0C6539	SONDA BYPASS (L 1100)	BYPASS PROBE (L 1100)	From 201
			Pagina 5	Page 5	
300	0806874001	0C5600	MANOPOLA	HANDLE	
301	0214114900	051263	CONTRODADO	LOCK NUT	
302	0508836400	002727	RONDELLA	DISK	
303	0516807301	002662	BOCCOLA	BUSH	
304	0675855200	0C4957	MEMBRANA LIV.A	LAYER LEV. A	For lev. A EJN Version
304	0548400800	0C6426	MEMBRANA LIV.A	LAYER LEV. A	For lev. A HOR version
304	0675856300	0C5010	MEMBRANA LIV.A	LAYER LEV. A	For lev. A RDR Version
304	0675855301	0C4958	MEMBRANA LIV.B	LAYER LEV. B	For lev. B EJN Version
304	0548400900	0C6427	MEMBRANA LIV.B	LAYER LEV. B	For lev. B HOR version
304	0675856401	0C5011	MEMBRANA LIV.B	LAYER LEV. B	For lev. B RDR Version
304	0675401300	0CA536	MEMBRANA LIV. B EMPERO	LAYER LEV. B EMPERO	for Level B EMPERO
304	0675855402	0C4959	MEMBRANA LIV.C	LAYER LEV. C	For lev. C EJN Version
304	0548400A00	0C6425	MEMBRANA LIV.C	LAYER LEV. C	For lev. C HOR version
304	0675856501	0C5062	MEMBRANA LIV.C	LAYER LEV. C	For lev. C RDR Version
304	0548401T00	0CA535	MEMBRANA LIV. K DIAMOND	LAYER LEV. K DIAMOND	for Level K Diamond
305	0873895902	0C4901	CRUSCOTTO LIV. A (NO MEMBR.)	CONT.PANEL LEV. A (NO LAYER)	for Level A
305	0873896002	0C4902	CRUSCOTTO LIV. B (NO MEMBR.)	CONT.PANEL LEV. B (NO LAYER)	for Level B
305	0873896102	0C4903	CRUSCOTTO LIV. C (NO MEMBR.)	CONT.PANEL LEV. C (NO LAYER)	for Level C
305	0870400J00	0C6592	CRUSCOTTO TOUCH (NO MEMBR.)	CONT.PANEL TOUCH (NO LAYER)	for Level K Diamond

10 GN 1/1 ELECTRIC CONVECTION / STEAMER OVEN
FORNO CONVEZIONE / VAPORE ELETTRICO 10 GN 1/1

<i>Pos</i>	<i>Factory Code</i>	<i>6DGT Code</i>	<i>Descrizione</i>	<i>Description</i>	<i>Ref./Note</i>
307	0675837902	0C0043	SCHEDA USER INTERFACE LIV. A	USER INTERF. BOARD, LEV. A	for Level A
307	0675838802	0C0041	SCHEDA USER INTERFACE LIV. B	USER INTERF. BOARD, LEV. B	for Level B
307	0675854600	0C4891	SCHEDA USER INTERFACE LIV. C	USER INTERF. BOARD, LEV. C	for Level C
307	675400P03	0CA070	SCHEDA USER INTERFACE	USER INTERF. BOARD	for Level K Diamond
308	0675837808	0C0042	SCHEDA POWER	MAIN POWER	for Level A, B
308	0675854501	0C4890	SCHEDA POWER	MAIN POWER	for Level C
308	0675400801	0C6570	SCHEDA POWER	MAIN POWER	for Level K Diamond
308	0675400206	*	SCHEDA POWER	MAIN POWER	for Level B EMPERO
309	0546824600	0C5833	PROLUNGA PULSANTE	PROLONG	
311	0652803300	0C1480	FUSIBILE OMEGA 5X20 6,3A T	FUSE OMEGA 5X20 6,3A T	
311	0652800901	058871	FUSIBILE RAPIDO 6.30 A	FUSE FAST 6.3 A	
311	0652803900	0C2301	FUSIBILE OMEGA 800MA	FUSE OMEGA 800MA	
312	0652802100	0F0031	PORTAFUSIBILE	FUSE HOLDER	
313	0646812200	007042	LIMITATORE, CELLA	LIMITER, CAVITY	
314	0508840801	002628	FLANGIA	FLANGE	
315	0574804900	002627	VETRO	GLASS	
316	0543817202	002626	GUARNIZIONE	GASKET	
317	0660808300	0C4396	LAMPADA ALOGENA	HALOGEN LAMP	
317	0660400100	0C9877	LAMPADA ALOGENA	HALOGEN LAMP	b, c, f, h, i, l from 4371...
318	0660806401	007055	PORTALAMPADA	LAMP HOLDER	
319	0508896801	007081	FARFALLA	CLOSER	
320	0680802300	0C5501	MOTORIDUTTORE	MOTOREDCER	
321	0856832702	0C5525	ASTA	SHAFT	
322	0543828600	007053	GUARNIZIONE	GASKET	
323	0831855200	0C5528	CONDOTTO ARIA	DUCT, AIR	
324	0624811000	0C4106	VENTILATORE	FAN	
325	0694605400	049303	FILTRO ANTIDISTURBO	FILTER	
326	0639808600	0F0112	MORSETTIERA	TERMINAL BOARD	
327	0694604400	047541	CONDENSATORE 12.5 Mf	CAPACITOR	For Level A, B
327	0694806000	0C5526	CONDENSATORE 8 Mf	CAPACITOR	For Level C
328	0624400100	0C6895	TRASFORMATORE	TRANSFORMER	
329	0648803001	058857	RELE	RELE	
330	0624807002	007047	ALIMENTATORE SWITCHING	SWITCHING FEEDER	
331	0648807300	088477	CONTATTORE K3-10A	CONTACTOR K3-10A	
331	0648807400	006879	CONTATTORE K3-18A	CONTACTOR K3-18A	
332	0509803900	0C4459	RIFLETTORE	REFLECTOR	
336	0543843500	0C5451	GUARNIZIONE	GASKET	
337	0646814900	0C2983	LIMITATORE, BOILER	LIMITATORE, BOILER	For Level A, B
343	0648722900	088267	RELE' DI SICUREZZA	SECURITY RELAY	
344	0831851002	0C4934	ASSIEME FILTRO CRUSCOTTO	ASS. FILTER CONTROL PANEL	
345	0549400F00	0C9991	FILTRO CRUSCOTTO	FILTER CONTROL PANEL	
			Pagina 6	Page 6	
400	0831849200	0C4862	PORTATEGLIE DX P60	TRAY SUPPORT DX P60	
401	0831848900	0C4861	PORTATEGLIE SX P60	TRAY SUPPORT SX P60	
402	0806872800	0C4961	SUPPORTO CON S.G.	SUPPORT S.G.	
403	0511828100	0C5620	SUPPORTO	SUPPORT	
			SONDE DI TEMPERATURA	TEMPERATURE PROBES	
	0830898900	0C0324	SONDA CELLA 500mm ROSSA	CAVITY PROBE 500mm RED	
	0830898901	0C7028	SONDA CELLA 500mm ROSSA	CAVITY PROBE 500mm RED	
	0830898902	0C6538	SONDA CELLA 500mm ROSSA	CAVITY PROBE 500mm RED	
	0830899002	0C0325	SONDA BOILER 800mm AZZURRA	BOILER PROBE 800mm BLUE	for Level A e B
	0830899100	0C0326	SONDA BYPASS 1100 BIANCO	BYPASS PROBE 1100mm WHITE	for Level A e B
	0830899101	0C6539	SONDA BYPASS 1100 BIANCO	BYPASS PROBE 1100mm WHITE	for Level A e B