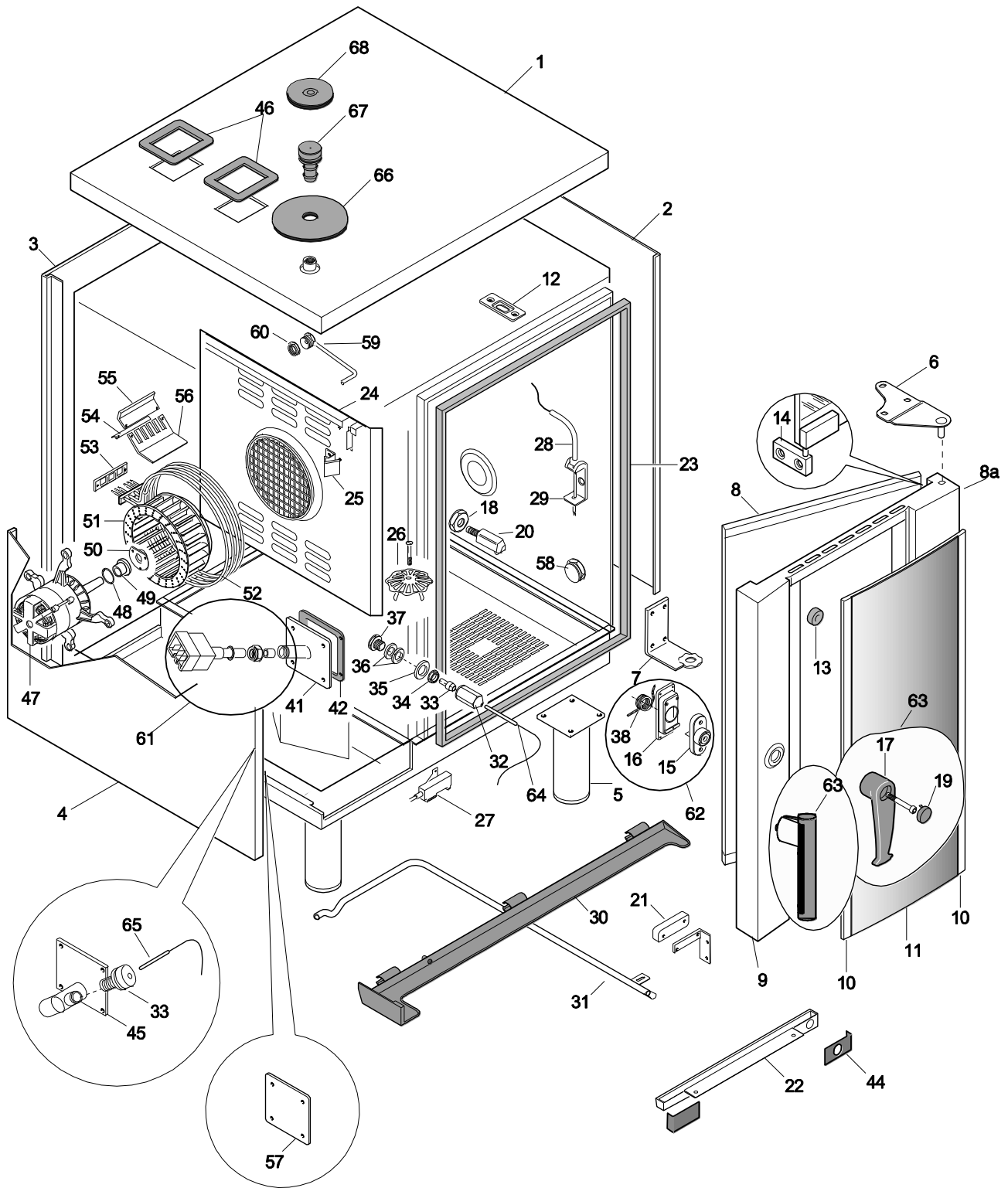


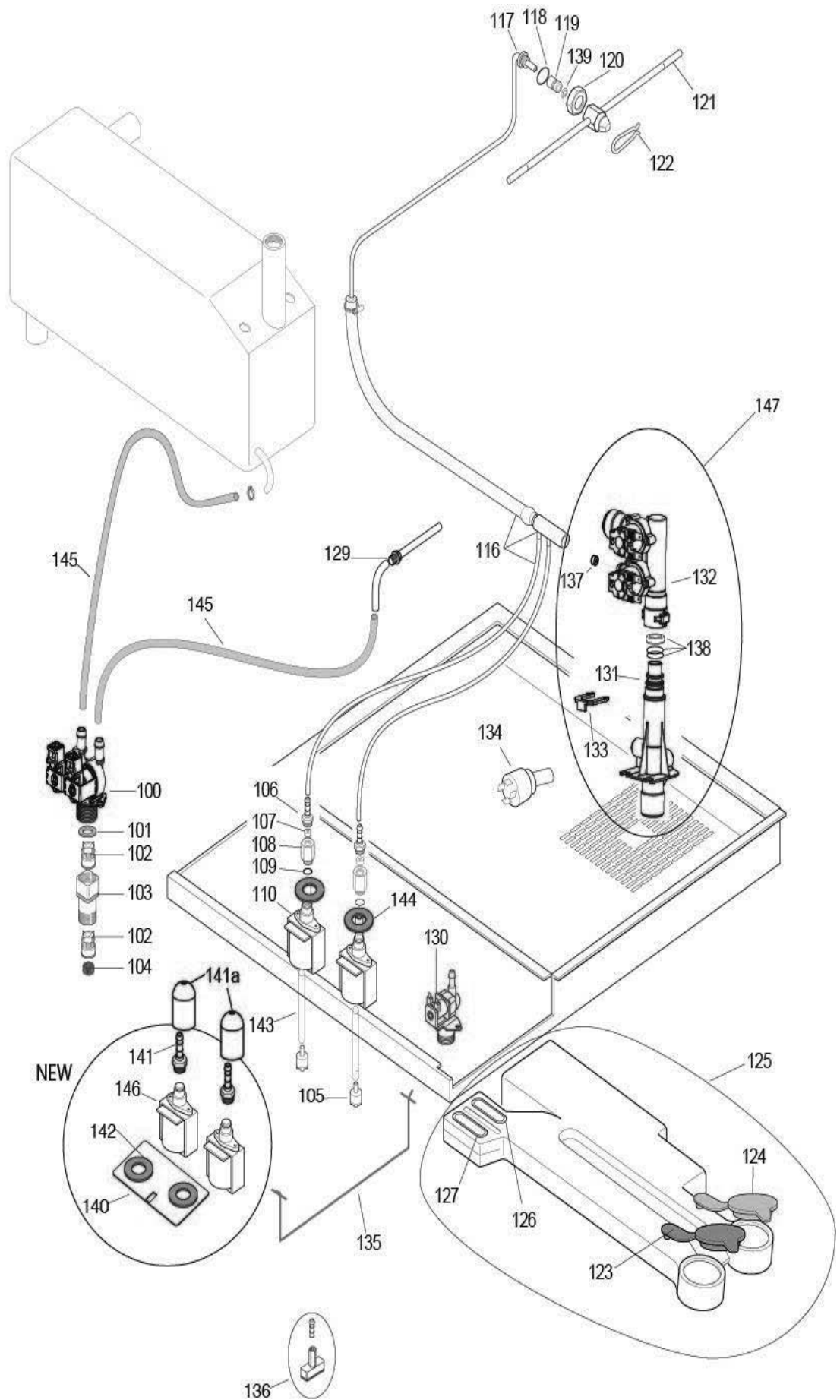
10 GN 2/1 ELECTRIC CONVECTION / STEAM OVEN
FORNO CONVEZIONE / VAPORE ELETTRICO 10 GN 2/1

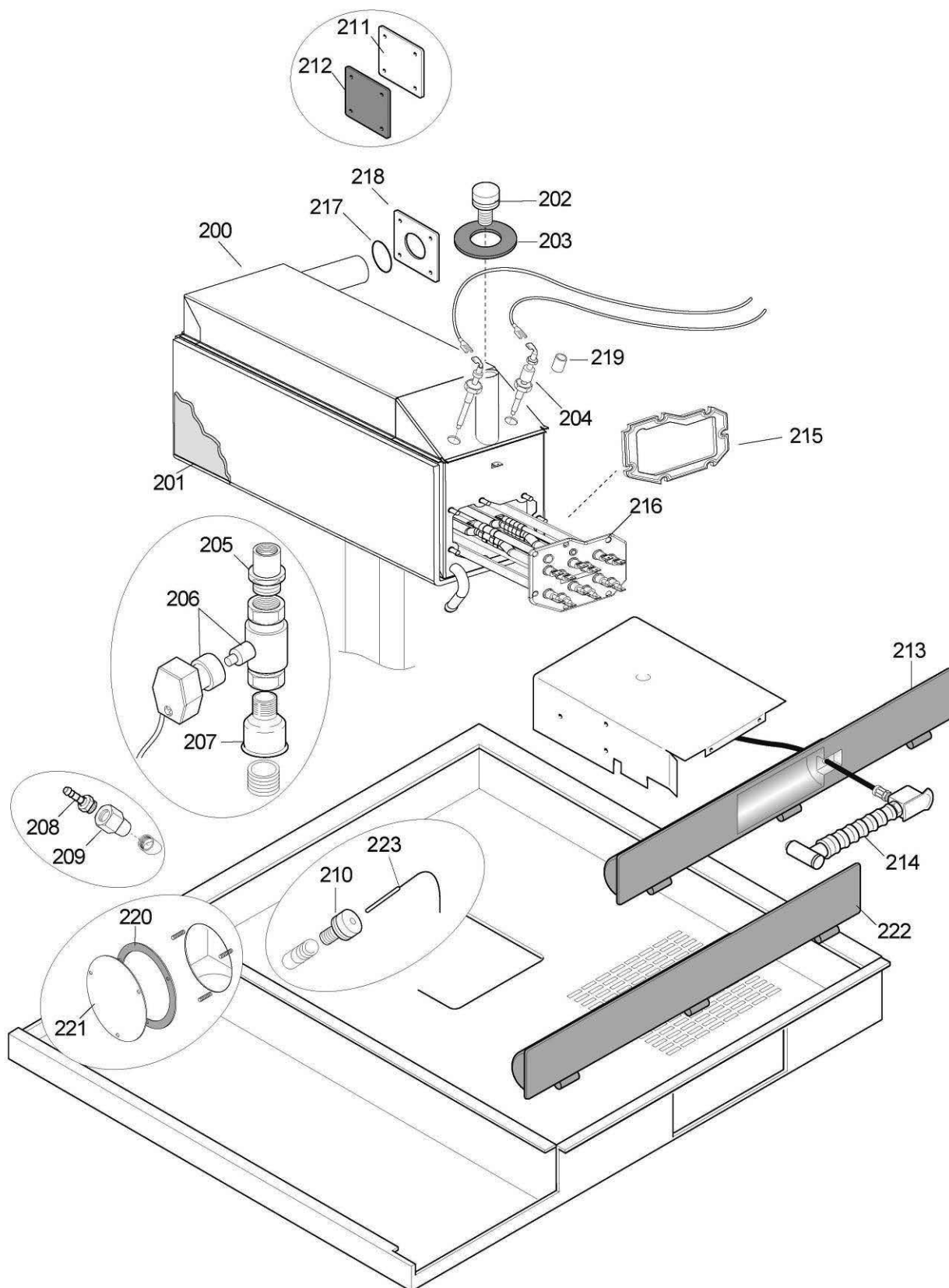
| PNC | Model | Ref | Group | Level | Page | Notes |
|--------|------------|-----|-------|---------|--------|------------------------|
| 236203 | FCZ102EKA | t | FCZ | Level K | 2...11 | 400V 3N 50Hz |
| 237203 | FCZ102ETA | n | FCZ | TOUCH | 2...11 | 400V 3N 50Hz |
| 238203 | FCZ102EBA2 | o | FCZ | Level B | 2...11 | 400V 3N 50Hz |
| 239203 | FCZ102ECA2 | p | FCZ | Level C | 2...11 | 400V 3N 50Hz |
| 266203 | AOS102EKA1 | r | AOS | Level K | 2...11 | 400V 3N 50Hz |
| 266283 | AOS102EKM1 | s | AOS | Level K | 2...11 | 280 3 USA |
| 266323 | AOS102EKV1 | b | AOS | Level k | 2...11 | 208V 3 60 HZ USA |
| 266353 | AOS102EKR1 | a1 | AOS | Level K | 2...11 | 400V 3N 50/60 HZ AUS |
| 267203 | AOS102EAA1 | a | AOS | TOUCH | 2...11 | 400V 3N 50Hz |
| 267233 | AOS102ETC1 | u | AOS | TOUCH | 2...11 | 200V 3N 50/60 Hz Japan |
| 267283 | AOS102EAM1 | c | AOS | TOUCH | 2...11 | 208V 3 USA |
| 267303 | AOS102EAK1 | e | AOS | TOUCH | 2...11 | 400V 3N 50Hz UK |
| 267323 | AOS102ETV1 | f | AOS | TOUCH | 2...11 | 480V 3 USA |
| 267353 | AOS102ETR1 | b1 | AOS | Touch | 2...11 | 400V 3N 50/60 HZ AUS |
| 268203 | AOS102EBA1 | g | AOS | Level B | 2...11 | 400V 3N 50Hz |
| 268233 | AOS102EBC2 | v | AOS | Level B | 2...11 | 200V 3N 50/60 HZ Japan |
| 268303 | AOS102EBK1 | h | AOS | Level B | 2...11 | 400V 3N 50Hz UK |
| 268353 | AOS102EBR2 | c1 | AOS | Level B | 2...11 | 400V 3N 50/60 HZ AUS |
| 269203 | AOS102ECA2 | i | AOS | Level C | 2...11 | 400V 3N 50Hz |
| 269283 | AOS102ECM1 | l | AOS | Level C | 2...11 | 208V 3 USA |
| 269303 | AOS102ECK2 | q | AOS | Level C | 2...11 | 400V 3N 50Hz UK |
| 269323 | AOS102ECV1 | z | AOS | Level C | 2...11 | 480V 3 60 HZ USA |
| 269353 | AOS102ECR2 | d1 | AOS | Level C | 2...11 | 400V 3N 50/60 HZ AUS |

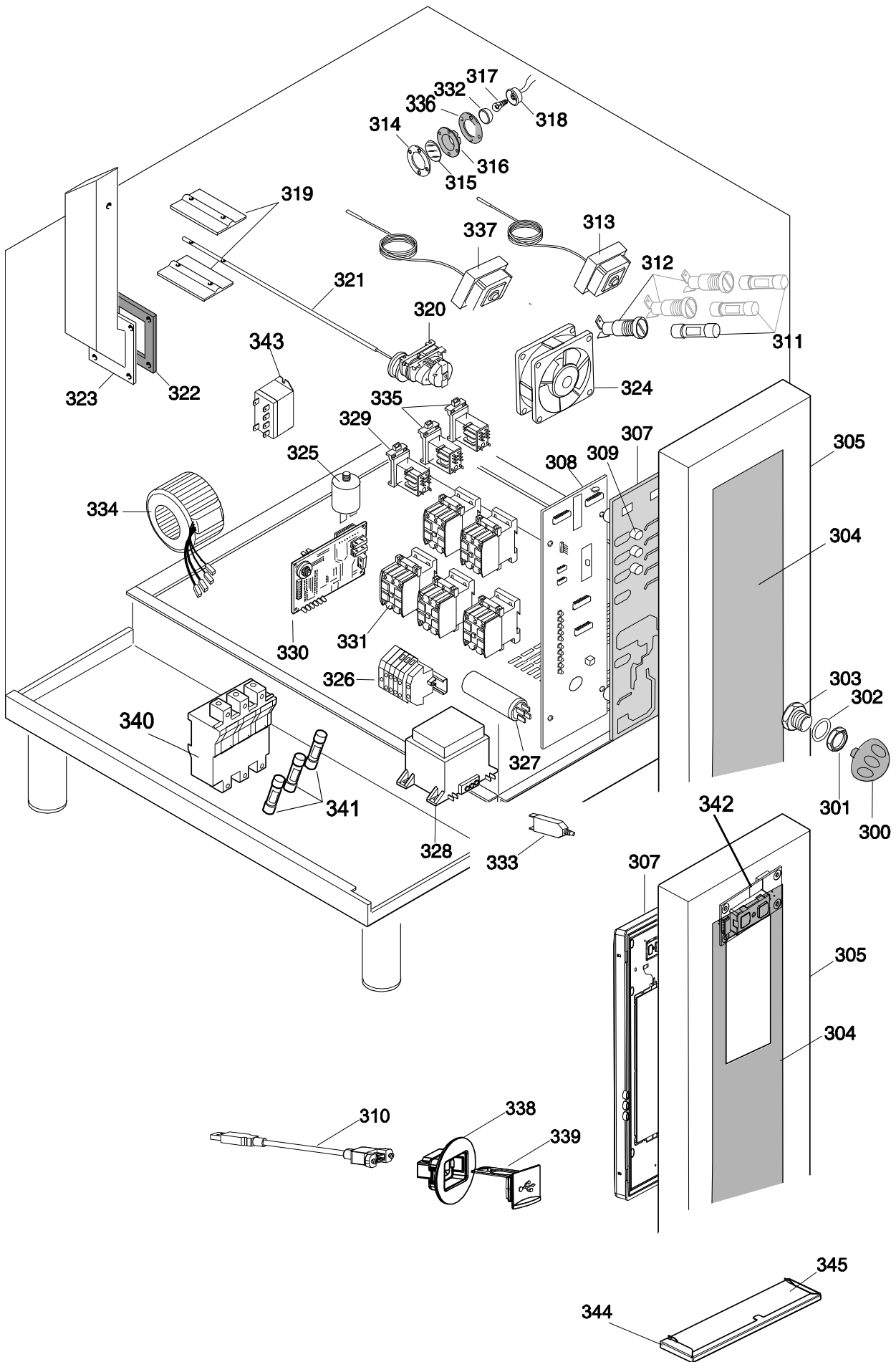
| Pag | Index | Indice | Note |
|--------|------------------------|----------------------|------|
| 2 | Oven cabinet and door. | Cella forno e porta | |
| 3 | Water system | Impianto idraulico | |
| 4 | Boiler | Boiler | |
| 5 | Electrical components | Componenti elettrici | |
| 6 | Accessories | Accessori | |
| 7...11 | Spare parts list | Lista ricambi | |

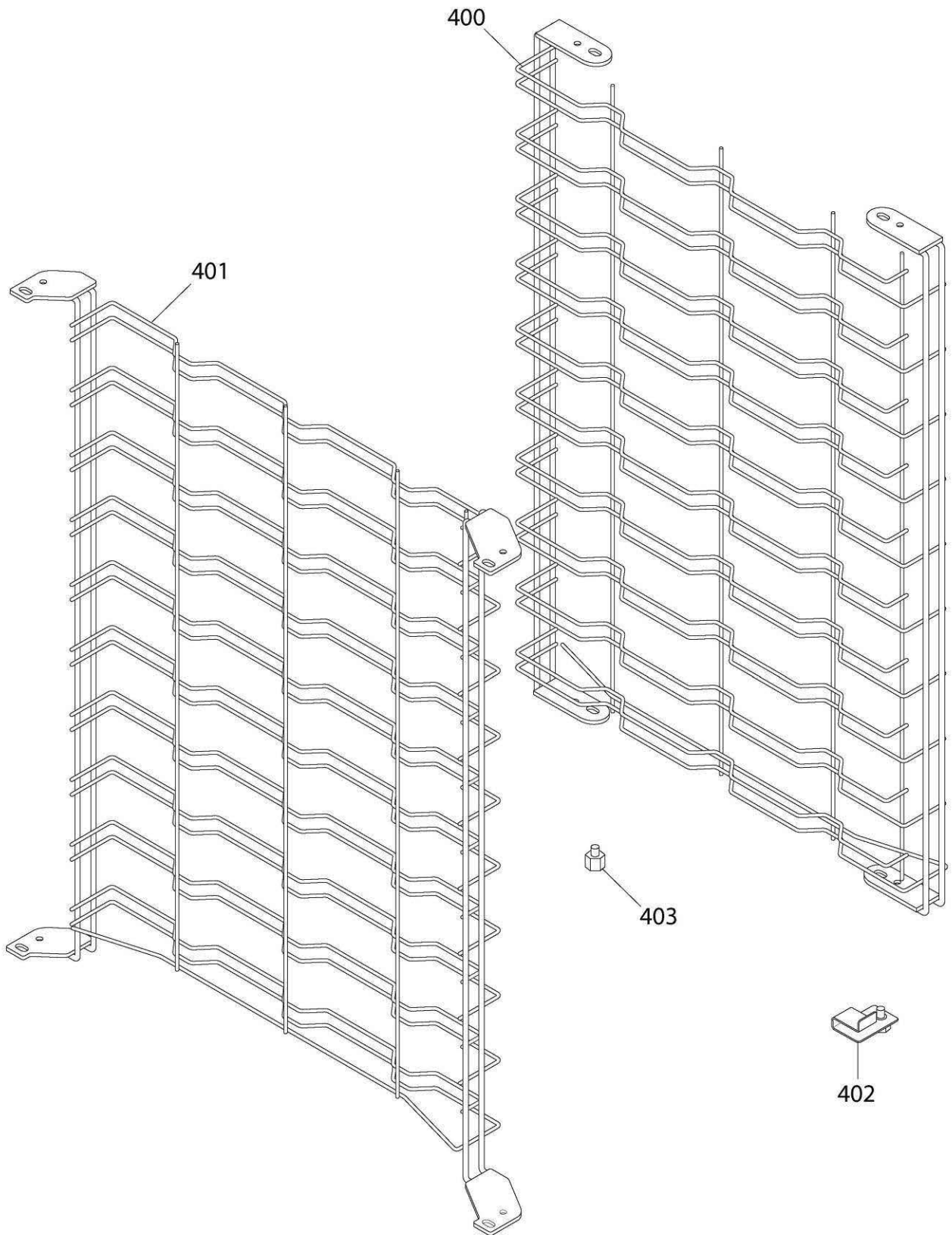
Brand/Marchio: All
Factory code: 9PDD











10 GN 2/1 ELECTRIC CONVECTION / STEAMER OVEN
FORNO CONVEZIONE / VAPORE ELETTRICO 10 GN 2/1

| <i>Pos</i> | <i>Factory Code</i> | <i>6DGT Code</i> | <i>Descrizione</i> | <i>Description</i> | <i>Ref./Note</i> |
|------------|---------------------|------------------|-----------------------------|--------------------------|--|
| | | | Pagina 2 | Page 2 | |
| 1 | 0530891400 | 0C6178 | COPERCHIO | COVER | |
| 2 | 0530891100 | 0C6176 | FIANCO DX | RIGHT SIDE PANEL | |
| 3 | 0530892800 | 0C6191 | SCHIENALE | BACK PANEL | |
| 4 | 0530893400 | 0C6197 | FIANCO SX | LEFT SIDE PANEL | |
| 5 | 0831850900 | 0C4892 | PIEDINO | FOOT | From 2008/01 up to 2012/18 Up to 2007/52 from 2012/19 |
| 5 | 0831842202 | 0C4233 | PIEDINO | FOOT | |
| 6 | 0806847803 | 0C4234 | CERNIERA SUPERIORE | UPPER HINGE | |
| 7 | 0806861600 | 0C4235 | CERNIERA INFERIORE | LOWER HINGE | |
| 8 | 0873870002 | 0C4504 | VETRO INTERNO | INNER GLASS | |
| * | 0850400R00 | 0C6577 | TELAIO PORTA | DORR CHASSIS | |
| 9 | 0879400700 | 0C6602 | PORTA COMPLETA | COMPLETE DOOR | |
| 10 | 0806859302 | 0C4476 | PROFILO DX-SX | RIGHT AND LEFT TRIM | |
| 11 | 0574400400 | 0C6560 | VETRO ESTERNO | EXTERNAL GLASS | For AOS Version |
| 11 | 0574818601 | 0C4944 | VETRO ESTERNO | EXTERNAL GLASS | For FCZ Version |
| 12 | 0543839700 | 0C4088 | GUARNIZIONE SPILLONE | GASKET | |
| 13 | 0543828001 | 006976 | AMMORTIZZATORE | DAMPER | |
| 14 | 0806822000 | 007007 | CERNIERA VETRO INTERNO | HINGE, INNER GLASS | |
| 15 | 0835871801 | 0C4089 | GR.CHIUSURA A SCATTO 'HRS' | CLOSING MECHANISM | |
| 16 | 0510824200 | 0C4237 | SUPPORTO GR.CHIUSURA | SUPPORTO | |
| 17 | 0548871500 | 0C4090 | MANIGLIA CHIUSURA | DOOR HANDLE | |
| 18 | 0516896400 | 0C4238 | DADO FISSAGGIO | NUT FOR DOOR CATCHER | |
| 19 | 0546822600 | 0C4091 | TAPPO PER MANIGLIA 'HRS' | DOOR COVER HANDLE | |
| 20 | 0806859900 | 0C4092 | NASELLO | DOOR CATCHER | |
| 21 | 0699603700 | 049627 | MAGNETE | MAGNET | |
| 22 | 0528869601 | 0C4292 | VASCHETTA RACC.CONDENSEA | DOOR DRAIN TRAY | |
| 23 | 0543835000 | 0C1887 | GUARNIZIONE CELLA-PORTA | GASKET | |
| 24 | 0831847104 | 0C4620 | PARETE DI ASPIRAZIONE | SUCTION WALL | |
| 25 | 0518807301 | 0C3423 | MOLLA AGGANCIAMENTO PARETE | SPRING | |
| 26 | 0518808700 | 0C2769 | FILTRO FONDO | FILTER | |
| 27 | 0654600000 | 049621 | INTERRUTTORE MAGNETICO | MAGNETIC SWITCH | |
| 28 | 0831831001 | 0C4240 | SPILLONE MULTIPOINT | MEAT PROBE MULTI POINT | For Level TOUCH |
| 28 | 0831830702 | 0C4241 | SPILLONE SINGOLO PUNTO | MEAT PROBE SINGLE POINT | For Level B, C,K |
| 29 | 0527865201 | 0C1505 | SUPPORTO SPILLONE | MEAT PROBE SUPPORT | |
| 30 | 0856814100 | 0C4298 | BACINELLA SNODABILE | DRAIN TRAY | |
| 31 | 0806858901 | 0C4293 | TUBO PER CONDENSEA 1/1 | DRAIN TUBE | |
| 32 | 0516855300 | 006991 | DADO SONDA CELLA | NUT, CAVITY PROBE | |
| 33 | 0543842600 | 0C4872 | TAPPO PER SENSORE | STOPPER FOR SENSOR | |
| 34 | 0214105101 | 020997 | CONTRODADO PORTAUGELLO | LOCK NUT | |
| 35 | 0516809301 | 002701 | RONDELLA TENUTA SONDA | WASHER | |
| 36 | 0543816300 | 002624 | GUARNIZIONE PER SONDA | GASKET | |
| 37 | 0516809400 | 002623 | RACCORDO SONDA CELLA | CONNECTION, CAVITY PROBE | |
| 38 | 0518818000 | 0C8561 | MOLLA PER CHIUSURA | SPRING | |
| 41 | 0806857201 | 0C4244 | COND. FLANGIATO SONDA | FLANGE TUBE | For Level TOUCH |
| 42 | 0543838300 | 0C4093 | GUARNIZIONE BYPASS/LAMBDA | GASKET | |
| 44 | 0543841300 | 0C4094 | GUARN. VASC. COND. PORTA | GASKET | |
| 45 | 0806856200 | 0C4245 | CONDOTTO FLANGIATO BY-PASS | DUCT, BYPASS PROBE | For Level B, C,K |
| 46 | 0543832100 | 0C1194 | GUARN. COND. ARIA-COPERCHIO | GASKET, DUCT | |
| 47 | 0611810000 | 0C6563 | MOTORE | MOTOR | |
| 47 | 0611400500 | 0C6704 | MOTORE | MOTOR | For TOUCH 208V,240V, Japan Version For TOUCH 480V, z,b |
| 47 | 0611400200 | 0C6937 | MOTORE | MOTOR | |
| 48 | 0543816700 | 002873 | O RING | O RING | |
| 49 | 0516808902 | 002699 | CUSCINETTO | BEARING | |
| 50 | 0538815400 | 0C4138 | FLANGIA FISS.TENUTA MOTORE | FLANGE | |
| 51 | 0831804901 | 0C1172 | VENTOLA | FAN | |

10 GN 2/1 ELECTRIC CONVECTION / STEAMER OVEN
FORNO CONVEZIONE / VAPORE ELETTRICO 10 GN 2/1

| <i>Pos</i> | <i>Factory Code</i> | <i>6DGT Code</i> | <i>Descrizione</i> | <i>Description</i> | <i>Ref./Note</i> |
|------------|---------------------|------------------|-------------------------------|---------------------------------|---|
| 52 | 0617828000 | 0C1173 | RESISTENZA (8 kW/400V) | HEATING ELEMENT (8 kW/400V) | For 400V Version For a , g |
| 52 | 0617400901 | 0C6502 | RESISTENZA (8kw/400V Kawai) | HEAT. ELEMENT (8kw/400V Kawai) | |
| 52 | 0617829300 | 0C2241 | RESISTENZA (8 kW/208V USA) | HEAT. ELEMENT (8 kW/208V USA) | For 208V Version |
| 52 | 0617829900 | 0C2242 | RESISTENZA (8 kW/240 V USA) | HEAT. ELEMENT (8 kW/240V USA) | For 240V Version |
| 52 | 0617400300 | 0C6941 | RESISTENZA (8 kW/480 V USA) | HEAT. ELEMENT (8 kW/480V USA) | For 480V Version,z,b For Japan Version |
| 52 | 0617400C00 | 0C9858 | RESISTENZA (8KW/200V kawai) | HEAT.ELEMENT (8KW/200V kawai) | |
| 53 | 0543816501 | 002689 | GUARNIZIONE RESIST. CELLA | GASKET, CAVITY HEATING EL. | |
| 54 | 0503897402 | 006253 | ANGOLARE RESISTENZE | SUPPORT | |
| 55 | 0527856600 | 0C1175 | LAMA FISSAGGIO RESISTENZE | SUPPORT | |
| 56 | 0527856500 | 0C1174 | SUPPORTO RESISTENZE | SUPPORT | |
| 57 | 0527898900 | 0C4857 | PIASTRA CHIUSURA | FLANGE | for Level C,K |
| 59 | 0856828501 | 0C4976 | CONDOTTO UMIDIFICATORE | HUMIDIFIER PIPNG | for Level C,K |
| 60 | 0516887101 | 0C6228 | DADO CONDOTTO | NUT HUMIDIFIER | for Level C,K |
| 61 | * | 0C6465 | KIT SONDA LAMBDA | LAMBDA KIT | for Level TOUCH |
| 62 | 0835872002 | 0C4477 | ASSIEME CHIUSURA PORTA | COMPLETE CLOSING MECH. | Up to 6081... |
| 62 | 0835402M00 | * | ASSIEME CHIUSURA PORTA | COMPLETE CLOSING MECH. | From 6091... |
| 63 | 0830400600 | 0C6572 | MANIGLIA COMPLETA | COMPLETE DOOR HANDLE | for FCZ Group |
| 63 | 0830400500 | 0C6569 | MANIGLIA COMPLETA | COMPLETE DOOR HANDLE | for AOS Group |
| 64 | 0830898902 | 0C6538 | SENSORE TEMPERATURA | TEMP. PROBE | |
| 65 | 0830899101 | 0C6539 | SENSORE TEMPERATURA | TEMP. PROBE | |
| 66 | 0543400900 | 0C7016 | GUARNIZIONE PER TUBO | PIPE GASKET | |
| 67 | 0543816601 | 002692 | TAPPO CARICO DISINCRUST. | RECHARGE CAP FOR SCALER | |
| 68 | 0543843201 | 0C4965 | GOMMINO CHIUSURA ING.DISIN | GASKET | |
| | | | Page 3 | Page 3 | |
| 100 | 0696808300 | 0C5517 | ELETTRIVALVOLA 2 VIE | WATER VALVE 2 WAYS | for Level TOUCH |
| 101 | 0543840600 | 0C4096 | GUARNIZIONE FILTRO REFLEX | GASKET | for Level TOUCH |
| 102 | 0549801800 | 0C2312 | VALVOLA NON RITORNO | NOT RE-FLOW VALVE | for Level TOUCH |
| 103 | 0516879400 | 0C2313 | RACCORDO ENTRATA ACQUA | PIPE FITTING | for Level TOUCH |
| 105 | 0831811400 | 0C1155 | ASSIEME FILTRO | FILTER | |
| 106 | 0516896101 | 0C4198 | RACCORDO PORTAGOMMA | PIPE FITTING | |
| 107 | 0544809000 | 0C1117 | VALVOLA NON RITORNO | NOT RE-FLOW VALVE | |
| 108 | 0516871900 | 0C1116 | RACCORDO PER POMPA | CONNECTION, PUPM | |
| 109 | 0543832300 | 0C1935 | O-RING | O-RING | |
| 110 | 0680801201 | 0C2341 | POMPA | PUMP | for 50 Hz |
| 110 | 0680801301 | 0C2342 | POMPA | PUMP | for 60 Hz |
| * | * | 0C2309 | TUBO POMPA - SERBATOIO | PUMP – TANK HOUSE | |
| 116 | 0805400300 | 0C6203 | ASSIEME COLL. LAVAGGIO | CONNECTION,C.S. | |
| 117 | 0806871200 | 0C5430 | ASS. SUPP. ATTACCO GETTO LAV. | SUPPORT | |
| 118 | 0543841400 | 0C4201 | GUARNIZIONE IN RAME | COPPER GARKET | |
| 119 | 0516898301 | 0C4467 | CUSCINETTO GETTO ROTANTE | BEARING | |
| 120 | 0516896000 | 0C4202 | DADO | NUT | |
| 121 | 0806873900 | 0C5503 | GETTO ROTANTE | ROTATING WASHING JET | |
| 122 | 0518807100 | 007026 | MOLLA | SPRING | |
| 123 | 0544808100 | 0C1151 | TAPPO PER SERBATOIO BLU | BLUE CUP | |
| 124 | 0544808200 | 0C1152 | TAPPO PER SERBATOIO ROSSO | RED CUP | |
| 125 | 0544808001 | 0C4426 | SERBATOIO DETERGENTE-BRIL | TANK | |
| 126 | 0544808900 | 0C1154 | PARATIA PER SERBATOIO ROSSO | RED BULKHEAD | |
| 127 | 0544808400 | 0C1153 | PARATIA PER SERBATOIO BLU | BLUE BULKHEAD | |
| 129 | 0H22982800 | 007075 | TUBO UMIDIFICATORE | HUMIDIFIER PIPE | for Level TOUCH, B |
| 129 | 0856828700 | 0C4978 | TUBO UMIDIFICATORE | HUMIDIFIER PIPE | for Level C,K |
| 130 | 0696808200 | 0C5515 | ELETTRIVALVOLA | WATER VALVE | for Level C,K |
| 131 | 0831857200 | 0C6370 | ASSIEME COLLETTORE LAV. | CONNECTION,C.S. | |
| 131 | 0835400000 | - | ASSIEME COLLETTORE LAV. | CONNECTION,C.S. | for 60Hz Version |
| 132 | 0696808600 | 0C6374 | GRUPPO VALVOLE CLEANYNG | VALVE GROUP C.S. | for Level TOUCH, B |
| 132 | 0696400100 | 0C6373 | GRUPPO VALVOLE CLEANYNG | VALVE GROUP C.S. | for 60 Hz Version |
| 132 | 0696400300 | 0C6406 | GRUPPO VALVOLE CLEANYNG | VALVE GROUP C.S. | |
| 133 | 0546825100 | 0C6222 | FORCELLA SICUREZZA | CLIP | |
| 134 | 0646817200 | 0C6217 | PRESSOSTATO ATTACCO RAPID | WATER PRESSURE SWITCH | |

| 10 GN 2/1 ELECTRIC CONVECTION / STEAMER OVEN FORNO CONVEZIONE / VAPORE ELETTRICO 10 GN 2/1 | | | | | |
|---|---------------------|------------------|----------------------------------|---------------------------------|-----------------------|
| Pos | Factory Code | 6DGT Code | Descrizione | Description | Ref./Note |
| 135 | 0513805000 | 0C5426 | STAFFA SUPPORTO SERBATOIO | SUPPORT PLATE | |
| 136 | 0546824100 | 0C6201 | GANCIO SERBATOIO | HOOK | |
| 137 | - | 0C6375 | KIT RIDUTTORI | FLOW REDUCER KIT | |
| 138 | - | 0C6377 | KIT O-RING +BUSSOLA | O-RING +BUSH KIT | |
| 139 | 0219035015 | 0C6421 | ANELLO ELASTICO | ELASTIC RING | |
| 140 | 0505401R00 | 0C7924 | PIASTRINA FISSAGGIO POMPE | FIXING PLAQUE | |
| 141 | 0544400C01 | 0C8348 | VITE TTL | TTL SCREW | Up to 5151... |
| 141 | 0544400C02 | 0CA348 | VITE TTL | TTL SCREW | From 5161... |
| 141a | 0546400J00 | 0C9538 | CAPPUCCIO DI PROT. | PROTECTION CAP | |
| 142 | 0543400R00 | 0C7925 | PASSACAPO | WIRING BUSH | |
| 143 | 0546814600 | 0C2309 | TUBO EXT | EXT. PIPE | |
| 144 | 0246530100 | 005382 | GOMMINO | GASKET | |
| 145 | 0544819400 | 0C5829 | TUBO EPDM BLU | EPDM PIPE | |
| 146 | 0686400100 | 0C8347 | POMPA DEFOND PHOENIX | PHOENIX DEFOND PUMP | Up to 4441... |
| 146 | 0686400201 | 0CA112 | POMPA CEME | CEME PUMP | From 4451... |
| 147 | 0835400L00 | 0C8683 | GRUPPO ENTRATA ACQUA | GROUP WATER INLET | |
| 147 | 0835400M00 | 0C8684 | GRUPPO ENTRATA ACQUA | GROUP WATER INLET | For level C |
| | | | Pagina 4 | Page 4 | |
| 200 | 0878401400 | 0C9664 | KIT ASSIEME BOILER | BOILER ASS.Y KIT | |
| 201 | 056980700 | 0C5837 | KIT ISOLAMENTO | KIT INSULATION | |
| 202 | 0543816601 | 002692 | TAPPO | STOPPER | |
| 203 | 0543844800 | 0C5834 | GUARNIZIONE | GASKET | |
| 204 | 0830890600 | 0C1201 | SONDA DI LIVELLO | LEVEL PROBE | |
| 205 | 0516809501 | 007117 | RACCORDO | CONNECTION | |
| 206 | 0696804201 | 0C0882 | VALVOLA DI SCARICO | DRAIN VALVE | |
| 206 | 0696808500 | 0C5518 | VALVOLA DI SCARICO | DRAIN VALVE | For 60Hz Version |
| 207 | 0516868600 | 0C1063 | MANICOTTO 1"-3/4" | CONNECTION 1"-3/4" | |
| 208 | 0510828000 | 0C5564 | RESCA D12 FILETT 1/4' GAS | PIPE CONNECTION | |
| 209 | 0516879600 | 0C4099 | UGELLO 'ELPIS'1/4'FD3.5-3/8'M | NOZZLE | |
| 210 | 0543842600 | 0C4872 | TAPPO PER SENSORE | STOPPER FOR SENSOR | |
| 211 | 0527898700 | 0C4856 | FLANGIA CHIUS. FORO BOILER | FLANGE | For Level C,K |
| 212 | 0543842800 | 0C4963 | GUARN. CHIUSURA FORO BOILER | GASKET | For Level C,K |
| 213 | 0546818503 | 0C4533 | PANNELLO FRONTALE INFERIORE | PANNEL | |
| 214 | 0873881200 | 0C4248 | DOCCETTA | SHOWER | |
| 214 | 0875402H00 | 0CA408 | DOCCETTA | SHOWER | for e from 5211... |
| 215 | 0543844800 | 0C5834 | GUARNIZIONE BOILER | GASKET BOILER | |
| 216 | 0617836500 | 0C5841 | RESISTENZA BOILER (24 kW/400V) | HEAT. ELEM. BOILER (24 kW/400V) | For 400V Version |
| 216 | 0617837200 | 0C5822 | RESIST. BOILER (20 kW/208V USA) | HEAT. ELEMIL. 20 kW/208V USA | For 208V Version |
| 216 | 0617837800 | 0C5841 | RESIST. BOILER (20 kW/240V USA) | HEAT. ELEMBOIL. 20 kW/240V USA | For 240V Version |
| 216 | 0617400200 | 0C6940 | RESIST. BOILER (20 kW/480V USA) | HEAT. ELEMBOIL. 20 kW/480V USA | For 480V Version |
| 216 | 0617839502 | 0C6027 | RESIST. BOILER (20kw/200V japan) | HEAT.ELEMBOIL.(20kw/200V japan) | For Japan Version |
| 217 | 0543816800 | 002874 | OR BOILER | OR BOILER | |
| 218 | 0527898600 | 0C4821 | FLANGIA BOILER | FLANGE | |
| 219 | 0515857001 | 055347 | DISTANZIALE PER Sonda L=9 | SPACER | |
| 220 | 0543400000 | 0C7033 | GUARNIZIONE PORTELLO | GASKET | for level TOUCH |
| 221 | 0J89061403 | 0C3443 | PORTELLO ISPEZIONE | INSPECTION COVER | |
| 222 | 0546821501 | 0C4966 | PANNELLO FRONTALE INFERIORE | PANEL | For Level B |
| 223 | 0830899101 | 0C6539 | SONDA BYPASS 1100 BIANCO | BYPASS PROBE 1100mm WHITE | for Level TOUCH e B |
| | | | Pagina 5 | Page 5 | |
| 300 | 0806874001 | 0C5600 | MANOPOLA | HANDLE | for Level B |
| 301 | 0214114900 | 051263 | CONTRODADO | LOCK NUT | for Level B |
| 302 | 0508836400 | 002727 | RONDELLA | DISK | for Level B |
| 303 | 0516807301 | 002662 | BOCCOLA | BUSH | for Level B |
| 304 | 0548400500 | 0C6549 | MEMBRANA TOUCH | LAYER TOUCH | for TOUCH AOS Ver. |
| 304 | 0548400B00 | 0C6551 | MEMBRANA TOUCH | LAYER TOUCH | for TOUCH FCZ Ver. |
| 304 | 0548400F00 | 0C6553 | MEMBRANA LIV.B | LAYER LEV. B | for Level B AOS Ver. |
| 304 | 0675855001 | 0C4948 | MEMBRANA LIV.B | LAYER LEV. B | for Level B FCZ Ver. |

10 GN 2/1 ELECTRIC CONVECTION / STEAMER OVEN
FORNO CONVEZIONE / VAPORE ELETTRICO 10 GN 2/1

| <i>Pos</i> | <i>Factory Code</i> | <i>6DGT Code</i> | <i>Descrizione</i> | <i>Description</i> | <i>Ref./Note</i> |
|------------|---------------------|------------------|--------------------------------------|------------------------------------|--|
| 304 | 0548400J00 | 0C6556 | MEMBRANA LIV.C | LAYER LEV. C | for Level C AOS Ver. |
| 304 | 0675855102 | 0C4949 | MEMBRANA LIV.C | LAYER LEV. C | for Level C FCZ Ver. |
| 304 | 0548401G00 | 0C8706 | MEMBRANA LIV. TOUCH "K" | LAYER TOUCH "K" AOS MODELS | For Level Touch "K" AOS Group |
| 305 | 0875401900 | 0C6584 | CRUSCOTTO TOUCH (NO MEMBR.) | CONT.PANEL TOUCH (NO LAYER) | for TOUCH AOS Ver. |
| 305 | 0875401901 | 0C6584 | CRUSCOTTO LIV. TOUCH + MEMBRANA | CONT.PANEL LEV. TOUCH + LAYER | for Level Touch AOS |
| 305 | 0870400L00 | 0C6594 | CRUSCOTTO TOUCH (NO MEMBR.) | CONT.PANEL TOUCH (NO LAYER) | for Level A FCZ Ver. |
| 305 | 0870400800 | 0C6585 | CRUSCOTTO LIV. B (NO MEMBR.) | CONT.PANEL LEV. B (NO LAYER) | for Level B AOS Ver. |
| 305 | 0873896302 | 0C4905 | CRUSCOTTO LIV. B (NO MEMBR.) | CONT.PANEL LEV. B (NO LAYER) | for Level B FCZ Ver. |
| 305 | 0870400M00 | 0C6595 | CRUSCOTTO LIV. C (NO MEMBR.) | CONT.PANEL LEV. C (NO LAYER) | for Level C AOS Ver. |
| 305 | 0548401600 | 0C7960 | MEMBRANA LIV.C (1/2 VELOCITA) | LAYER LEV. C (1/2 SPEED) | for Level C USA (Start s/n 120...) |
| 305 | 0873896402 | 0C4906 | CRUSCOTTO LIV. C (NO MEMBR.) | CONT.PANEL LEV. C (NO LAYER) | for Level C FCZ Ver. |
| 305 | 0875401T00 | 0C8710 | CRUSCOTTO LIV.TOUCH "K" CON MEMBRANA | CONTROL PANEL TOUCH "K" WITH LAYER | For Level Touch "K" AOS Group |
| 307 | 675400A00 | 0C6571 | SCHEDA USER INTERFACE LIV.TOUCH | USER INTERF. BOARD, LEV. TOUCH | for Level TOUCH,K up to 2441... |
| 307 | 675400P01 | 0C8805 | SCHEDA USER INTERFACE LIV.TOUCH | USER INTERF. BOARD, LEV. TOUCH | for Level TOUCH,K from 2451... up to 4481... |
| 307 | 675400P03 | 0CA070 | SCHEDA USER INTERFACE LIV.TOUCH | USER INTERF. BOARD, LEV. TOUCH | for Level TOUCH,K from 4491... |
| 307 | 0675838802 | 0C0041 | SCHEDA USER INTERFACE LIV. B | USER INTERF. BOARD, LEV. B | for Level B |
| 307 | 0675854600 | 0C4891 | SCHEDA USER INTERFACE LIV. C | USER INTERF. BOARD, LEV. C | for Level C |
| 307 | 0675854602 | 0C7350 | SCHEDA USER INT.LIV. C(1/2 VEL) | USER INT. BOARD LEV. C(1/2 SPEED) | for Level C (Start s/n 120...) |
| 308 | 0675400801 | 0C6570 | SCHEDA POWER TOUCH | MAIN POWER TOUCH | for Level TOUCH,K |
| 308 | 0675837808 | 0C0042 | SCHEDA POWER | MAIN POWER | for Level B, C |
| 309 | 0546824600 | 0C5833 | PROLUNGA PULSANTE | PROLONG | for Level B, C |
| - | 0546814001 | 0C3750 | DISTANZIALE ARCHETTO NYLON | SPACER NYLON | for Level B, C |
| - | 0633847400 | 0C6564 | CABLAGGIO USER - POWER | MAIN - USER CABLE | for TOUCH level |
| 310 | 0638400Y00 | 0C6566 | CAVO PROLUNGA USB | USB CABLE | for TOUCH level |
| - | 0638400P00 | 0C6565 | CAVO ALIMENTAZIONE USER | SUPPLY CABLE USER | for TOUCH level |
| 311 | 0652800701 | 058869 | FUSIBILE OMEGA 5X20 10A F | FUSE OMEGA 5X20 10A F | For 400V; 230V |
| 311 | 0652803900 | 0C2301 | FUSIBILE OMEGA 800MA | FUSE OMEGA 800MA | For 400V; 230V |
| 311 | 0652803300 | 0C1480 | FUSIBILE 6,3 A | FUSE 6,3 A | For 208V; 240V, Japan Version |
| 311 | 0652803801 | 0C5431 | FUSIBILE 10 A | FUSE 10 A | For 208V; 240V Liv. C |
| 311 | 0652400000 | 0C6946 | FUSIB. T3,15 A | FUSE T 3,15A | for 480V, z, b |
| 312 | 0652802100 | 0F0031 | PORTAFUSIBILE | FUSE HOLDER | For 400V; 230V |
| 313 | 0646812200 | 007042 | LIMITATORE, CELLA | LIMITER, CAVITY | |
| 313 | 0646810802 | 006314 | LIMITATORE, CELLA | LIMITER, CAVITY | For 60Hz Version |
| 314 | 0508840801 | 002628 | FLANGIA | FLANGE | |
| 315 | 0574804900 | 002627 | VETRO | GLASS | |
| 316 | 0543817202 | 002626 | GUARNIZIONE | GASKET | |
| 317 | 0660808300 | 0C4396 | LAMPADA ALOGENA | HALOGEN LAMP | Up to 4361... |
| 317 | 0660400100 | 0C9877 | LAMPADA ALOGENA | HALOGEN LAMP | From 4371... |
| 318 | 0660807000 | 0C1200 | PORTALAMPADA | LAMP HOLDER | |
| 319 | 0538804000 | 0C1169 | FARFALLA | CLOSER | |
| 320 | 0680802300 | 0C5501 | MOTORIDUTTORE | MOTOREDUCER | |
| 320 | 0680802400 | 0C5502 | MOTORIDUTTORE | MOTOREDUCER | For 60Hz Version |
| 321 | 0856832500 | 0C5523 | ASTA | SHAFT | |
| 322 | 0543832200 | 0C1168 | GUARNIZIONE | GASKET | |
| 323 | 0831806402 | 0C1219 | CONDOTTO ARIA | DUCT, AIR | |
| 324 | 0624811000 | 0C4106 | VENTILATORE | FAN | |
| 325 | 0694605400 | 049303 | FILTRO ANTIDISTURBO | FILTER | |
| 326 | 0639808600 | 0F0112 | MORSETTIERA | TERMINAL BOARD | |
| 326 | 0639812400 | 0C4820 | MORSETTIERA | TERMINAL BOARD | For 60Hz Version |
| 326 | 0639400900 | 0C9704 | MORSETTIERA | TERMINAL BOARD | For JAPAN Version |
| 327 | 0694800700 | 0C1186 | CONDENSATORE 31,5 Mf | CAPACITOR | |
| 327 | 0694802700 | 0C1187 | CONDENSATORE 15 Mf | CAPACITOR | |

| 10 GN 2/1 ELECTRIC CONVECTION / STEAMER OVEN FORNO CONVEZIONE / VAPORE ELETTRICO 10 GN 2/1 | | | | | | |
|---|---------------------|------------------|----------------------------------|---------------------------|---|------------------|
| Pos | Factory Code | 6DGT Code | Descrizione | Description | Ref./Note | |
| 328 | 0624400100 | 0C6400 | TRASFORMATORE | TRANSFORMER | Up to 329100.. From to 330100.. For Japan Version | |
| 328 | 0624400900 | 0C9557 | TRASFORMATORE | TRANSFORMER | | |
| 328 | 0624400B00 | 0C9857 | TRASFORMATORE | TRANSFORMER | | |
| 329 | 0648803001 | 058857 | RELE | RELE | For 60Hz Version | |
| 329 | 0648722900 | 088267 | RELE | RELE | | |
| 330 | 0624807002 | 007047 | ALIMENTATORE SWITCHING | SWITCHING FEEDER | For 60Hz,Japan Version | |
| 331 | 0648807300 | 088477 | CONTATTORE K3-10A | CONTACTOR K3-10A | | |
| 331 | 0648807400 | 006879 | CONTATTORE K3-18A | CONTACTOR K3-18A | | |
| 331 | 0648613200 | 0L0355 | CONTATTORE K3-24A | CONTACTOR K3-24A | | |
| 331 | 0648807700 | 007080 | CONTATTORE K3-32A | CONTACTOR K3-32A | | |
| 331 | 0648808400 | 0C2244 | CONTATTORE K3-50A | CONTACTOR K3-50A | | |
| 331 | 0648400000 | 088557 | CONTATTORE K1 09D10 | CONTACTOR K1 09D10 | For 60 Hz For 480V,z,b | |
| 332 | 0509803900 | 0C4459 | RIFLETTORE | REFLECTOR | FOR 60Hz Version For 60Hz,Japan Version | |
| 334 | 0624400000 | 0C6945 | TRASFORMATORE | TRANSFORMER | | |
| 335 | 0648802601 | 056466 | RELE | RELE | FOR 60Hz Version For 60Hz,Japan Version | |
| 336 | 0543843500 | 0C5451 | GUARNIZIONE | GASKET | | |
| 337 | 0646814900 | 0C2983 | LIMITATORE, BOILER | LIMITATORE, BOILER | For Level TOUCHA, B for TOUCH level for TOUCH level For 60HZ Version For z,b Version For TOUCH level For P 60 Version For P 60 Version for Level TOUCH e B for Level TOUCH e B | |
| 338 | 0546400200 | 0C6547 | VASCHETTA USB | USB PLUG | | |
| 339 | 0541400A00 | 0C6546 | COPERTURA USB | USB COVER | | |
| 340 | 0652806400 | 0C1487 | PORTAFUSIBILE | FUSE CARRIER | | |
| 341 | 0652803600 | 0C2245 | FUSIB.OMEGA 22x58 80A | FUSE OMEGA 22x58 80A | | |
| 341 | 0652806100 | 0C4996 | FUSIB. 5x20 3.15AT | FUSE 5x20AT | | |
| 342 | 0675858601 | 0C8033 | TASTO ON-OFF (INTER. PRINCIPALE) | ON-OFF(MAIN SWITCH) | | |
| 343 | 0648722900 | 088267 | RELE' SICUREZZA | SECURITY RELE | | |
| 344 | 0831851202 | 0C4936 | ASSIEME FILTRO CRUSCOTTO | ASS. FILTER CONTROL PANEL | | |
| 345 | 0549400K00 | 0C9992 | FILTRO CRUSCOTTO | FILTER CONTROL PANEL | | |
| | | | Pagina 6 | Page 6 | | |
| 400 | 0831849800 | 0C6016 | PORTATEGLIE DX P60 | TRAY SUPPORT DX P60 | | For P 60 Version |
| 401 | 0831849900 | 0C6017 | PORTATEGLIE SX P60 | TRAY SUPPORT SX P60 | | For P 60 Version |
| 402 | 0806872800 | 0C4961 | SUPPORTO CON S.G. | SUPPORT S.G. | | |
| 403 | 0511828100 | 0C5620 | SUPPORTO | SUPPORT | | |
| | | | SONDE DI TEMPERATURA | TEMPERATURE PROBES | | |
| | 0830400N00 | 0C7028 | SONDA CELLA (L 500) | CAVITY PROBE (L 400) | | |
| | 0830899001 | 0C0325 | SONDA BOILER 800mm AZZURRA | BOILER PROBE 800mm BLUE | for Level TOUCH e B | |
| | 0830899101 | 0C6539 | SONDA BYPASS 1100 BIANCO | BYPASS PROBE 1100mm WHITE | for Level TOUCH e B | |