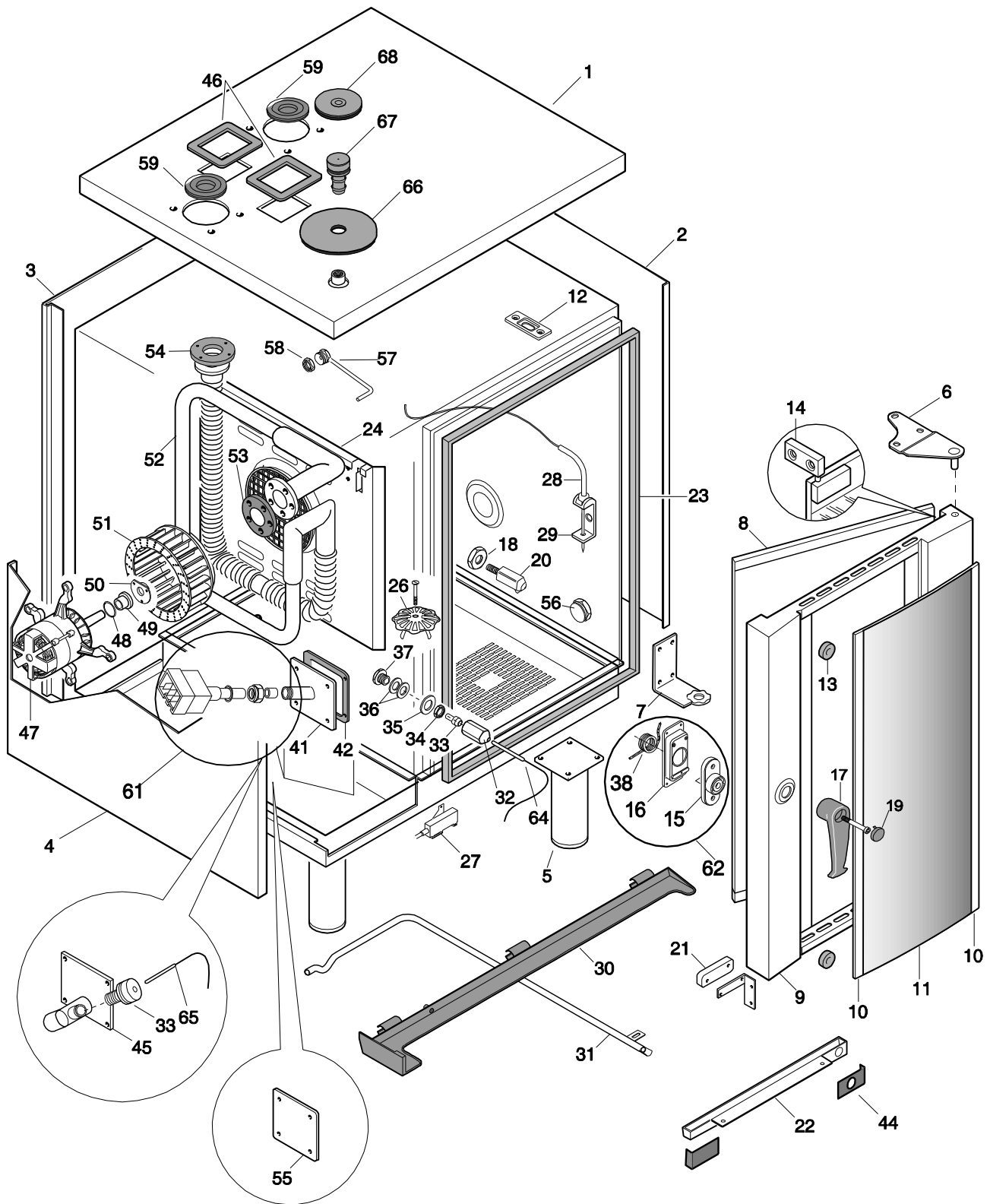
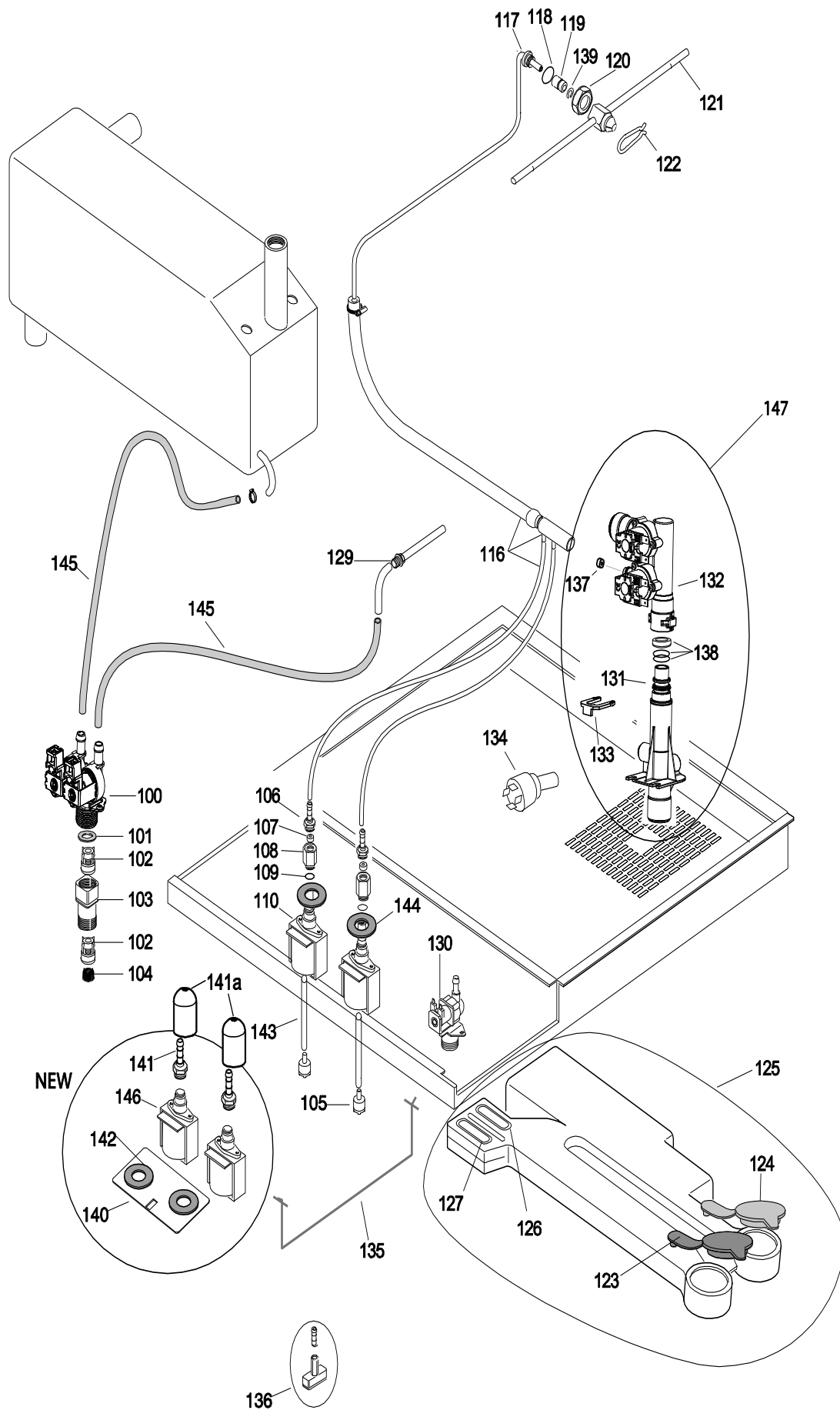


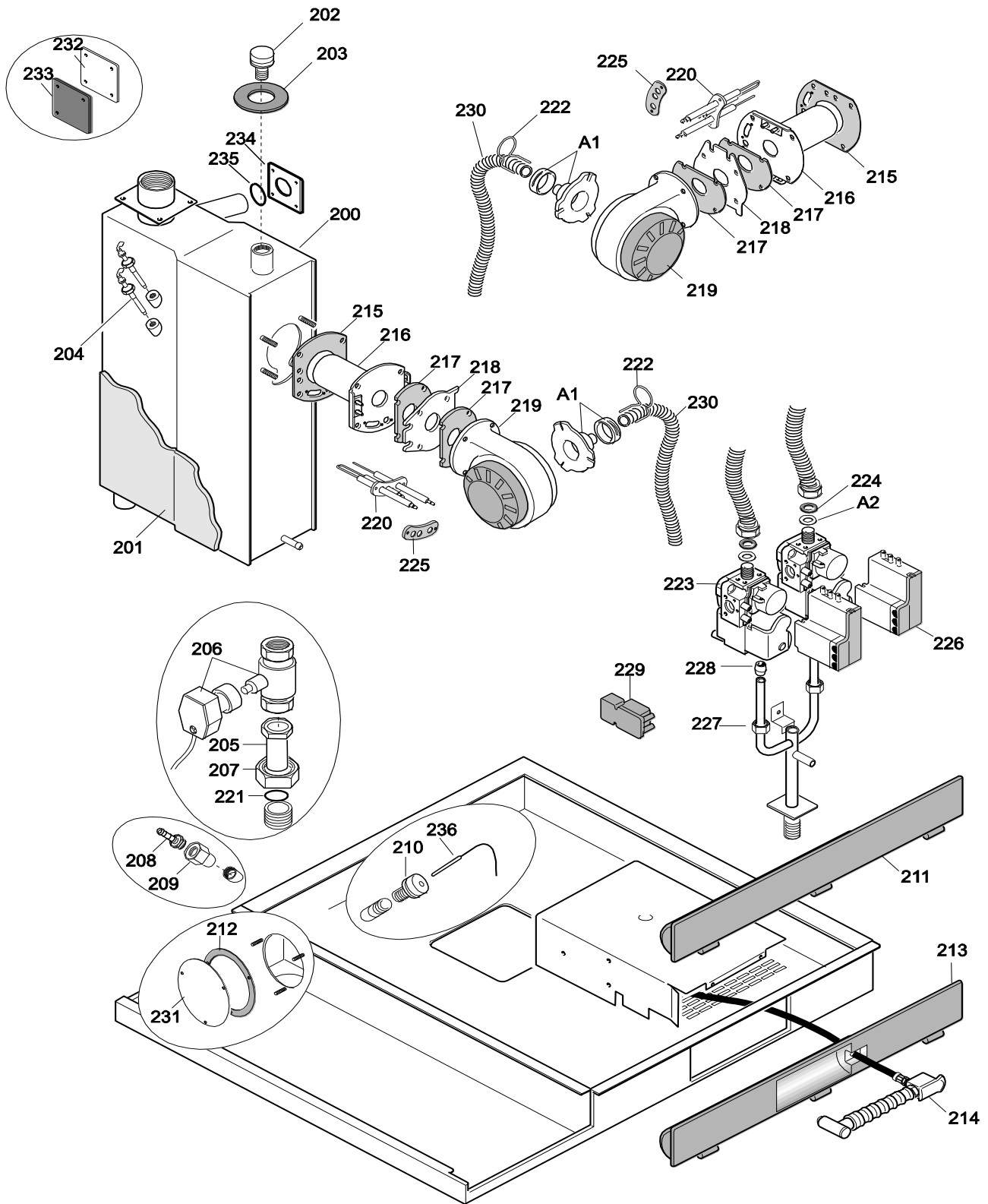
PNC	Model	Ref	Group	Level	Page	Notes
647503	EJN102GAG	a	EJN	Level A	2...11	230V 50Hz STD
647513	EJN102GAD	b	EJN	Level A	2...11	230V 50Hz LPG
647543	RDR102GAG	g	RDR	Level A	2...11	230V 50/60 HZ
648503	EJN102GBG	c	EJN	Level B	2...11	230V 50Hz STD
648513	EJN102GBD	d	EJN	Level B	2...11	230V 50Hz LPG
648543	RDR102GBG	h	RDR	Level B	2...11	230V 50/60 HZ
648713	FCZ102GBGE	l	EMP	Level B	2...11	230V 50Hz EMPERO
649503	EJN102GCG	e	EJN	Level C	2...11	230V 50Hz STD
649513	EJN102GCD	f	EJN	Level C	2...11	230V 50Hz LPG
649543	RDR102GCG	i	RDR	Level C	2...11	230V 50/60 HZ

Pag	Index	Indice	Note
2	Oven cabinet and door.	Cella forno e porta	
3	Water system	Impianto idraulico	
4	Boiler	Boiler	
5	Electrical components	Componenti elettrici	
6	Accessories	Accessori	
7...11	Spare parts list	Lista ricambi	

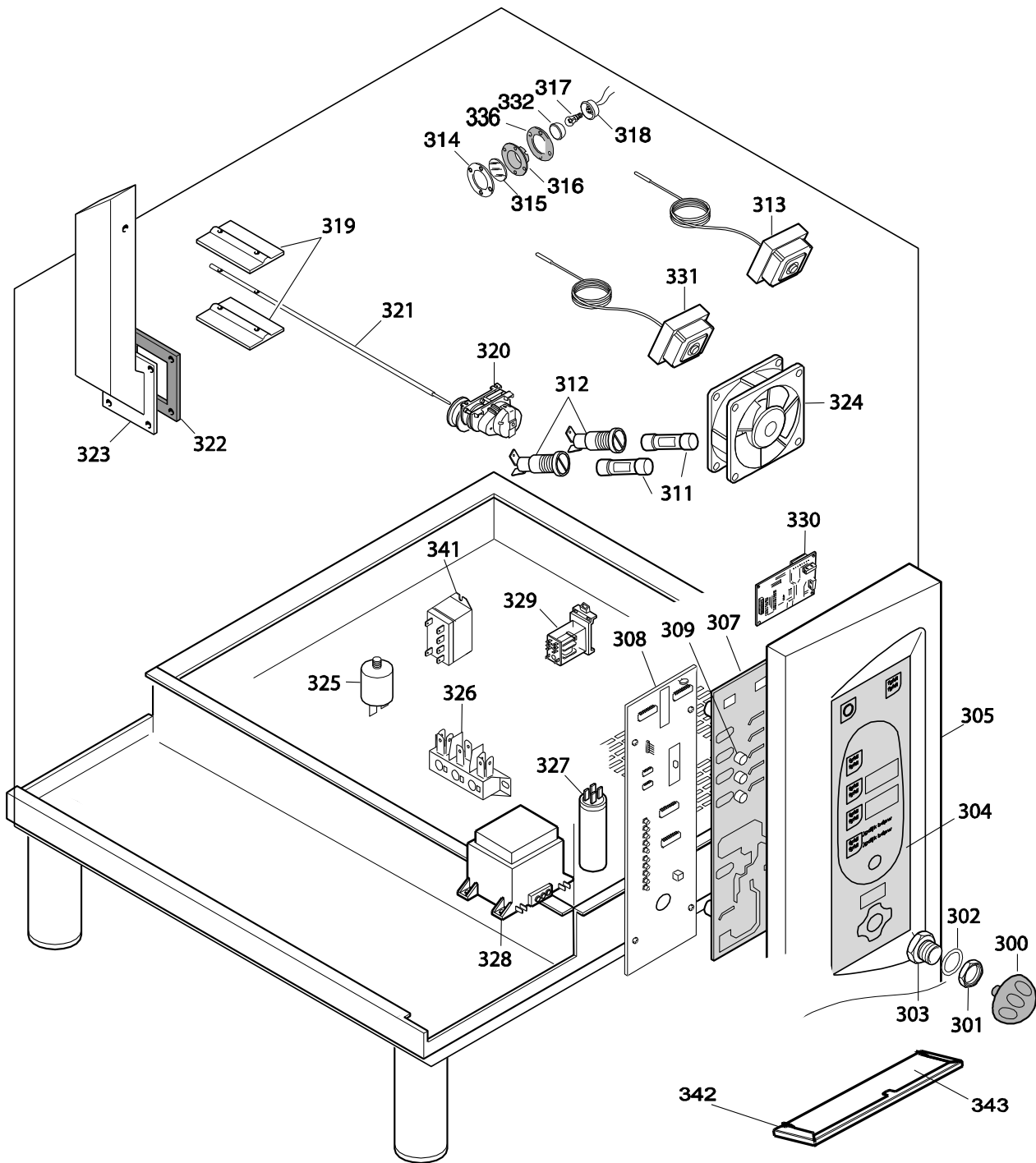
Brand/Marchio: All  
Factory code: 9PDD

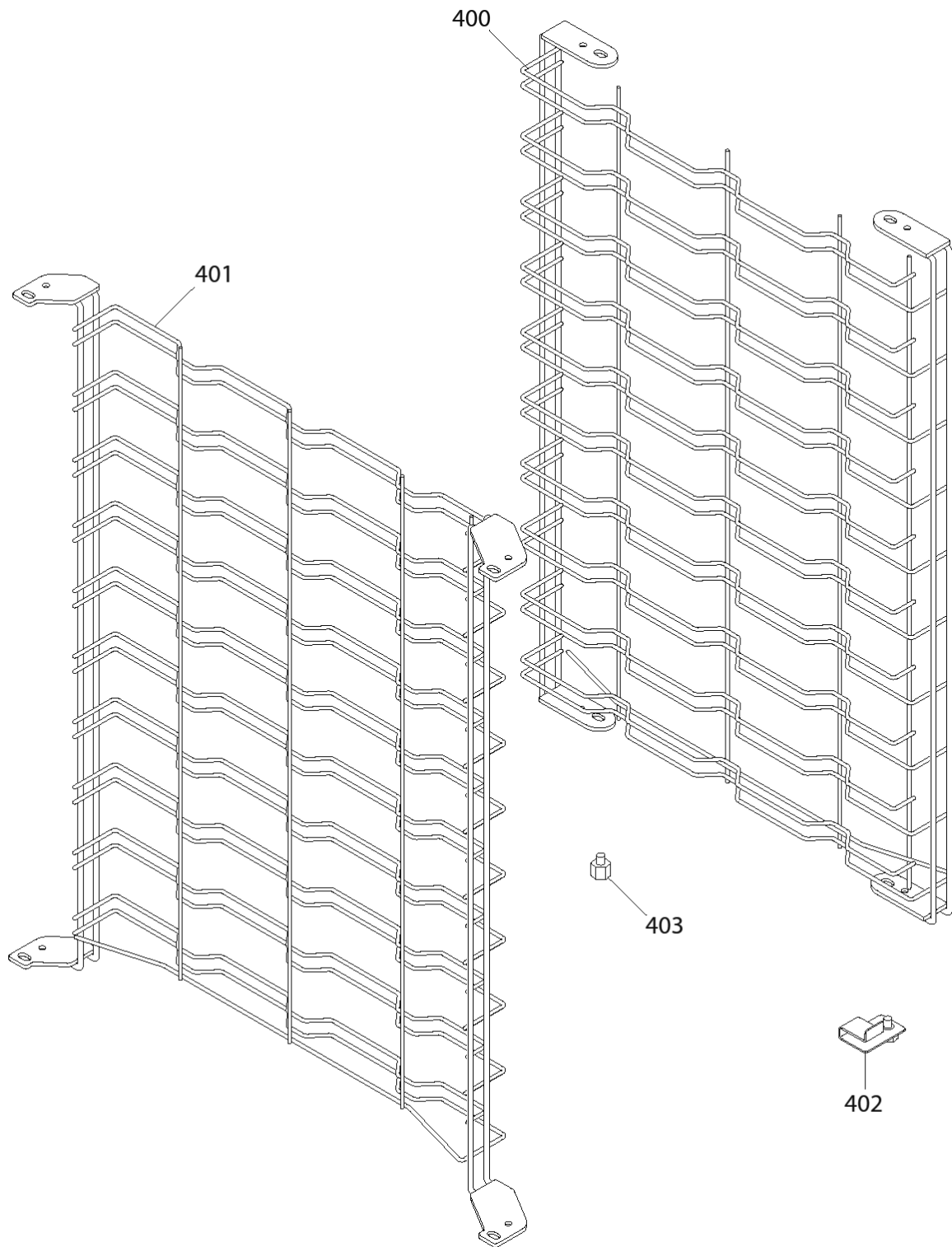






GAS	AERATORE/AERATOR		DIAFRAMMA/DIAPHRAGM		DIAFRAMMA/DIAPHRAGM	
	POS. A1 CELLA/CAVITY	POS. A1 BOILER	POS. A2 CELLA/CAVITY	POS. A2 BOILER	POS. 218 CELLA/CAVITY	POS. 218 BOILER
G20	0C4629 (VERDE/GREEN)	0C4629 (VERDE/GREEN)	0C1163 (ø 7.8)	0C2444 (ø 7,5)	0C4125 (ø 21)	0C4125 (ø 21)
G25	0C4629 (VERDE/GREEN)	0C4629 (VERDE/GREEN)	0C5237 (ø 9,25)	0C5236 (ø 9)	0C4125 (ø 21)	0C4125 (ø 21)
G30	0C4629 (VERDE/GREEN)	0C4629 (VERDE/GREEN)	0C2446 (ø 5.8)	0C2446 (ø 5.8)	0C4110 (ø 18)	0C4110 (ø 18)
LPG	0C4629 (VERDE/GREEN)	0C4629 (VERDE/GREEN)	0C4386 (ø 6,25)	0C1142 (ø 6,15)	0C4110 (ø 18)	0C4110 (ø 18)





**10 GN 2/1 GAS CONVECTION / STEAMER OVEN**  
**FORNO CONVEZIONE / VAPORE GAS 10 GN 2/1**

<i>Pos</i>	<i>Factory Code</i>	<i>6DGT Code</i>	<i>Descrizione</i>	<i>Description</i>	<i>Ref./Note</i>
			<b>Pagina 2</b>	<b>Page 2</b>	
1	0530891600	0C6180	COPERCHIO	COVER	
1	0530891800	0C6182	COPERCHIO	COVER	For Level C
2	0530891100	0C6176	FIANCO DX	RIGHT SIDE PANEL	
3	0530892800	0C6191	SCHIENALE	BACK PANEL	
4	0530893400	0C6197	FIANCO SX	LEFT SIDE PANEL	
5	0831850900	0C4892	PIEDINO	FOOT	From 2008/01 up to 2012/18 Up to 2007/52 from 2012/19
5	0831842202	0C4233	PIEDINO	FOOT	
6	0806847803	0C4234	CERNIERA SUPERIORE	UPPER HINGE	
7	0806861600	0C4235	CERNIERA INFERIORE	LOWER HINGE	
8	0873870003	0C4504	VETRO INTERNO	INNER GLASS	
9	0878864308	0C4505	PORTA COMPLETA	COMPLETE DOOR	Up to 014
9	0879400702	0C6602	PORTA COMPLETA	COMPLETE DOOR	From 015
-	0518806205	0C6051	MOLLA FERMAVETRO INTERNO	SPRING FOR INTERNAL GLASS	
10	0806859302	0C4476	PROFILO DX-SX	RIGHT AND LEFT TRIM	
11	0574819201	0C4954	VETRO ESTERNO	EXTERNAL GLASS	for Group EJM
11	0574819802	0C5546	VETRO ESTERNO(ROEDER)	EXTERNAL GLASS ( ROEDER)	for Group RDR
11	0574818601	0C4944	VETRO ESTERNO	EXTERNAL GLASS	for EMPERO
12	0543839700	0C4088	GUARNIZIONE FLANGIA SPILLONE	GASKET	
13	0543828001	006976	AMMORTIZZATORE	DAMPER	
14	0806822000	007007	CERNIERA VETRO INTERNO	HINGE, INNER GLASS	
15	0835871801	0C4089	GR.CHIUSURA A SCATTO 'HRS'	CLOSING MECHANISM	
16	0510824200	0C4237	SUPPORTO GR.CHIUSURA	SUPPORTO	
17	0548871501	0C4090	MANIGLIA CHIUSURA A SCATTO	DOOR HANDLE	
18	0516896401	0C4238	DADO FISSAGGIO	NUT FOR DOOR CATCHER	
19	0546822600	0C4091	TAPPO PER MANIGLIA 'HRS'	DOOR COVER HANDLE	
20	0806859900	0C4092	NASELLO SINGOLO SCATTO	DOOR CATCHER	
20	0806859100	0C6010	NASELLO DOPPIO SCATTO	DOUBLE DOOR CATCHER	
21	0699603700	049627	MAGNETE	MAGNET	
22	0528869601	0C4292	VASCHETTA RACC.CONDENSE	DOOR DRAIN TRAY	
23	0543835000	0C1887	GUARNIZIONE CELLA-PORTA	GASKET	
-	0147098067	003926	SIGILLANTE (RED)	RED SEALANT	
24	0831847104	0C4620	PARETE DI ASPIRAZIONE	SUCTION WALL	
25	0518807301	0C3423	MOLLA AGGANCIAMENTO PARETE	SPRING	
26	0518808600	0C1740	FILTRO FONDO	FILTER	
27	0654600000	049621	INTERRUTTORE MAGNETICO	MAGNETIC SWITCH	
28	0831831000	0C4240	SPILLONE CURVO MULTIPOINT	MEAT PROBE MULTI POINT	for Level A
28	0831830700	0C4241	SPILL. CURVO SINGOLO PUNTO	MEAT PROBE SINGLE POINT	for Level B e C
29	0527865201	0C1505	SUPPORTO SPILLONE	MEAT PROBE SUPPORT	
30	0856814100	0C4298	BACINELLA SNODABILE	DRAIN TRAY	
31	0806858901	0C4293	TUBO PER CONDENSE 1/1	DRAIN TUBE	
32	0516855300	006991	DADO SONDA CELLA	NUT, CAVITY PROBE	
33	0543842600	0C4872	TAPPO PER SENSORE	STOPPER FOR SENSOR	for Level A e B
34	0214105101	020997	CONTRODADO PORTAUGELLO	LOCK NUT	
35	0508838701	002700	RONDELLA SONDA CELLA	WASHER	
36	0543816300	002624	GUARN. PER TENUTA SONDA	GASKET	
37	0516809400	002623	RACCORDO SONDA CELLA	CONNECTION, CAVITY PROBE	
38	0518818000	0C8561	MOLLA PER CHIUSURA	SPRING	
41	0806857201	0C4244	COND. SONDA LAMBDA	FLANGE TUBE	for level A
42	0543838300	0C4093	GUARNIZIONE BYPASS/LAMBDA	GASKET	
44	0543841300	0C4094	GUARN. VASC. CONDENSE	GASKET	
45	0806873000	0C6351	CONDOTTO FLANGIATO BY-PASS	DUCT, BYPASS PROBE	for Level B
46	0543828901	007005	GUARN. CONDOTTO ARIA-COP.	GASKET, DUCT	
47	0611806600	0C1171	MOTORE	MOTOR	
47	0611810000	0C6563	MOTORE	MOTOR	for EMPERO
48	0543816700	002873	O RING	O RING	
49	0516808902	002699	CUSCINETTO	BEARING	

**10 GN 2/1 GAS CONVECTION / STEAMER OVEN**  
**FORNO CONVEZIONE / VAPORE GAS 10 GN 2/1**

<i>Pos</i>	<i>Factory Code</i>	<i>6DGT Code</i>	<i>Descrizione</i>	<i>Description</i>	<i>Ref./Note</i>
50	0538815400	0C4138	FLANGIA FISS.TENUTA MOTORE	FLANGE	
51	0835400900	0C6464	VENTOLA	FAN	
52	0831829701	0C4299	SCAMBIATORE	HEAT EXCHANGER	
53	0543830700	0C1036	GUARNIZIONE	GASKET	
54	0543833200	0C2208	GUARNIZIONE	GASKET	
55	0527898900	0C4857	PIASTRA CHIUSURA	FLANGE	for Level C
56					
57	0856828501	0C4976	CONDOTTO UMIDIFICATORE	HUMIDIFIER PIPNG	for Level C
58	0516887101	0C6228	DADO CONDOTTO	NUT HUMIDIFIER	for Level C
59	0560854300	0C5388	GUARNIZIONE CAMINO	GASKET	
61	-	0C6465	KIT Sonda LAMBDA	LAMBDA KIT	For Level A
<b>62</b>	<b>0835872002</b>	<b>0C4477</b>	<b>ASSIEME CHIUSURA PORTA</b>	<b>COMPLETE CLOSING MECH.</b>	<b>Up to 6081...</b>
<b>62</b>	<b>0835402M00</b>	*	<b>ASSIEME CHIUSURA PORTA</b>	<b>COMPLETE CLOSING MECH.</b>	<b>From 6091...</b>
64	0830898902	0C6538	SENSORE TEMPERATURA	TEMP. PROBE	
65	0830899101	0C6539	SENSORE TEMPERATURA	TEMP. PROBE	
66	0543400900	0C7016	GUARNIZIONE PER TUBO	PIPE GASKET	
67	0543816601	002692	TAPPO CARICO DISINCROST.	RECHARGE CAP FOR SCALER	
68	0543843201	0C4965	GOMMINO CHIUSURA ING.DISIN	GASKET	
			<b>Pagina 3</b>	<b>Page 3</b>	
100	0696808400	0C5517	ELETTROVALVOLA	WATER VALVE	for Level B e A
-	0544819400	0C5829	TUBO EPDM BLU	BLU PIPE EPDM	
-	0835872300	0C5385	FASCETTA NORMACLAMP	NORMACLAMP	
101	0543840600	0C4096	GUARNIZIONE FILTRO	GASKET	
102	0549801800	0C2312	VALVOLA NON RITORNO	NOT RE-FLOW VALVE	
103	0516879400	0C2313	RACCORDO ENTRATA ACQUA	PIPE FITTING	for Level B e A
105	0831811400	0C1155	ASSIEME FILTRO	FILTER	for Level A e C
106	0516896101	0C4198	RACCORDO PORTAGOMMA	PIPE FITTING	for Level A e C
107	0544809000	0C1117	VALVOLA NON RITORNO	NOT RE-FLOW VALVE	for Level A e C
108	0516871900	0C1116	RACCORDO PER POMPA	CONNECTION, PUPM	for Level A e C
109	0543832300	0C1935	O-RING	O-RING	for Level A e C
110	0680801201	0C2341	POMPA	PUMP	for Level A e C
116	0805400301	0C6203	ASS. COLLETTORE LAVAGGIO	CONNECTION	for Level A e C
117	0806871200	0C5430	ASS. SUPP. GETTO LAVAGGIO	SUPPORT	for Level A e C
118	0543841400	0C4201	GUARNIZIONE IN RAME	GASKET	for Level A e C
119	0516898301	0C4467	CUSCINETTO GETTO ROTANTE	BEARING	for Level A e C
120	0516896000	0C4202	DADO	NUT	for Level A e C
121	0806873900	0C5503	GETTO ROTANTE	ROTATING WASHING JET	for Level A e C
122	0518807100	007026	MOLLA	SPRING	for Level A e C
123	0544808100	0C1151	TAPPO PER SERBATOIO BLU	BLUE CUP	for Level A e C
124	0544808200	0C1152	TAPPO PER SERBATOIO ROSSO	RED CUP	for Level A e C
125	0873857102	0C4426	SERBATOIO DETERGENTE-BRIL	TANK	for Level A e C
126	0544808900	0C1154	PARATIA PER SERBATOIO ROSSO	RED BULKHEAD	for Level A e C
127	0544808400	0C1153	PARATIA PER SERBATOIO BLU	BLUE BULKHEAD	for Level A e C
129	0H22982800	007075	TUBO UMIDIFICATORE	HUMIDIFIER PIPE	for Level A e B
129	0856828501	0C4976	TUBO UMIDIFICATORE	HUMIDIFIER PIPE	for Level C
130	0696808800	0C6170	ELETTROVALVOLA	WATER VALVE	for Level B
130	0696808200	0C5515	ELETTROVALVOLA	WATER VALVE	for Level C
131	0831857200	0C6370	ASS. COLLETTORE LAVAGGIO	CONNECTION,C.S.	Level A e C
132	0696808600	0C6374	GRUPPO VALVOLE CLEANING	VALVE GROUP C.S.	for Level A
132	0696400300	0C6406	GRUPPO VALVOLE CLEANING	VALVE GROUP C.S.	for Level C
133	0546825100	0C6222	FORCELLA SICUREZZA	CLIP	for Level A e C
134	0646817200	0C6217	PRESSOSTATO ATTACCO RAPIDO	CONNECTION FOR WASH ARM	for Level A e C
135	0513805000	0C5426	STAFFA SUPPORTO SERBATOIO	SUPPORT PLATE	for Level A e C
136	-	0C6467	KIT GANCIO SERBATOIO	KIT TANK HOOK	for Level A e C
137	-	0C6375	KIT PARZIALIZZATORI DI FLUSSO	FLOW REDUCER KIT	for Level A e C
138	-	061303	KIT O-RING +BUSSOLA	O-RING +BUSH KIT	for Level A e C
139	0219035015	0C6421	ANELLO ELASTICO	ELASTIC RING	for Level A e C
140	0505401R00	0C7924	PIASTRINA FISSAGGIO POMPE	FIXING PLAQUE	



<b>10 GN 2/1 GAS CONVECTION / STEAMER OVEN</b> <b>FORNO CONVEZIONE / VAPORE GAS 10 GN 2/1</b>					
<i>Pos</i>	<i>Factory Code</i>	<i>6DGT Code</i>	<i>Descrizione</i>	<i>Description</i>	<i>Ref./Note</i>
141	0544400C01	0C8348	VITE TTL	TTL SCREW	Up to 5151...
141	0544400C02	0CA348	VITE TTL	TTL SCREW	From 5161...
141a	0546400J00	0C9538	CAPPUCCIO DI PROT.	PROTECTION CAP	
142	0543400R00	0C7925	PASSACAVO	WIRING BUSH	
143	0546814600	0C2309	TUBO EXT	EXT. PIPE	
144	0246530100	005382	GOMMINO	GASKET	
145	0544819400	0C5829	TUBO EPDM BLU	EPDM PIPE	
146	0686400100	0C8347	POMPA DEFOND PHOENIX	PHOENIX DEFOND PUMP	Up to 4441...
146	0686400201	0CA112	POMPA CEME	CEME PUMP	From 4451...
147	0835400L00	0C8683	GRUPPO ENTRATA ACQUA	GROUP WATER INLET	
147	0835400M00	0C8684	GRUPPO ENTRATA ACQUA	GROUP WATER INLET	For level C
-	0831854100	0C5562	TUBO ACQUA WRAS	WATER INLET PIPE WRAS	
-	0835870400	0C3464	RIDUTTORE DI PRESSIONE	WATER PRESSURE REDUCER	
			<b>Pagina 4</b>	<b>Page 4</b>	
200	0831852900	0C5520	ASSIEME BOILER	BOILER ASS.Y	for Level A e B up to 5141..
200	0831852905	0CA295	ASSIEME BOILER	BOILER ASS.Y	for Level A e B from 5151..
201	0560852501	0C4123	KIT ISOLAMENTO	KIT ISOLATION	for Level A e B
202	0543816601	002692	TAPPO	STOPPER	for Level A e B
203	0543817500	002634	GUARNIZIONE	GASKET	for Level A e B
204	0831831901	0C4098	SONDA DI LIVELLO	LEVEL PROBE	for Level A e B
205	0516868600	0C1063	RACCORDO	CONNECTION	for Level A e B
206	0696804201	0C0882	VALVOLA DI SCARICO 230V	DRAIN VALVE 230V	for Level A e B
207	0516868500	0C1062	MANICOTTO 1"-3/4"	CONNECTION 1"-3/4"	for Level A e B
208	0510828000	0C5564	RESCA D12 FILETT 1/4' GAS	PIPE CONNECTION	
209	0516879600	0C4099	UGELLO 'ELPIS'1/4'FD3.5-3/8'M	NOZZLE	for Level A e B
210	0543842600	0C4872	TAPPO PER SENSORE	STOPPER FOR SENSOR	for Level A e B
211	0546821501	0C4966	PANNELLO FRONTALE INFERIORE	PANEL	Level C e B
212	0543839600	0C3442	GUARN. CHIUSURA	GASKET	for Level A
213	0546818503	0C4533	PANNELLO FRONTALE INFERIORE	PANEL	for Level A
214	0873881200	0C4248	DOCCETTA	SHOWER	for Level A
215	0543838200	0C4101	GUARNIZIONE BRUCIATORE LWZ	GASKET	
216	0831827502	0C4289	BRUCIATORE	BURNER	
217	0543838100	0C4102	GUARNIZIONE PER VENTILATORE	FAN GASKET	
218					
219	0611808300	0C4103	VENTILATORE	FAN	
220	0831846502	0C4462	CANDELINA DI ACC. E RIL.	IGNITION ROD	
221	0543816800	002874	ANELLO DI TENUTA OR	O-RING	for Level A e B
222	0518807600	0C1044	MOLLA	SPRING	for Level A e B
223	0835859601	0C1057	VALVOLA GAS	GAS VALVE	
224	0543840600	0C4096	GUARNIZIONE	GASKET	
225	0543841100	0C4104	GUARNIZIONE CANDELINA	ROD GASKET	
226	0624810800	0C4260	CENTRALINA	IGNITION BOARD	
227	0516847000	0C1058	DADO	NUT	
228	0515801715	052671	BICONO X TUBO DA 16	SEAL	
229	0624810600	0C4105	ACCENDITORE BRAHMA	IGNITION BOARD	
230	0517877101	0C1054	CONDUTTURA L= 398MM	PIPE L= 398MM	for Level A e B
230	0517877200	0C4301	CONDUTTURA L= 570MM	PIPE L= 570MM	for Level A e B
231	0J89061403	0C3443	PORTELLO ISPEZIONE	INSPECTION COVER	for Level A
232	0527898700	0C4856	FLANGIA CHIUS. FORO BOILER	FLANGE	For Level C
233	0543842800	0C4963	GUARN. CHIUSURA FORO BOILER	GASKET	For Level C
236	0830899100	0C0326	SONDA BYPASS (L 1200)	BYPASS PROBE (L 1200)	for Level A e B up to 014
236	0830899101	0C6539	SONDA BYPASS 1100 BIANCO	BYPASS PROBE 1100mm WHITE	for Level A e B from 015
			<b>Pagina 5</b>	<b>Page 5</b>	
300	0806874001	0C5600	MANOPOLA	HANDLE	

<b>10 GN 2/1 GAS CONVECTION / STEAMER OVEN FORNO CONVEZIONE / VAPORE GAS 10 GN 2/1</b>					
<i>Pos</i>	<i>Factory Code</i>	<i>6DGT Code</i>	<i>Descrizione</i>	<i>Description</i>	<i>Ref./Note</i>
301	0214114900	051263	CONTRODADO	LOCK NUT	
302	0508836400	002727	RONDELLA	DISK	
303	0516807301	002662	BOCCOLA	BUSH	
304	0675855200	0C4957	MEMBRANA LIV.A EJN MODELS	LAYER LEV. A EJN MODELS	for Level A EJN Group
304	0675855301	0C4958	MEMBRANA LIV.B EJN MODELS	LAYER LEV. B EJN MODELS	for Level B EJN Group
304	0675855402	0C4959	MEMBRANA LIV.C EJN MODELS	LAYER LEV. C EJN MODELS	for Level C EJN Group
304	0675856301	0C9872	MEMBRANA ROEDER LIV.A	LAYER ROEDER LEV. A	for level A RDR Group
304	0675856402	0C9870	MEMBRANA ROEDER LIV.B	LAYER ROEDER LEV.B	for level B RDR Group
304	0675856502	0C9871	MEMBRANA ROEDER LIV.C	LAYER ROEDER LEV.C	for level C RDR Group
304	0675401300	0CA536	MEMBRANA EMPERO LIV. B	LAYER EMPERO LEV. B	for level B EMPERO
305	0873896202	0C4904	CRUSCOTTO LIV. A (NO MEMBR.)	CONT.PANEL LEV. A (NO LAYER)	for Level A
305	0873896302	0C4905	CRUSCOTTO LIV. B (NO MEMBR.)	CONT.PANEL LEV. B (NO LAYER)	for Level B
305	0873896402	0C4906	CRUSCOTTO LIV. C (NO MEMBR.)	CONT.PANEL LEV. C (NO LAYER)	for Level C
-	0831844900	0C4930	FILTRO ARIA CRUSCOTTO	AIR FILTER CONTROL PANEL	
307	0675837902	0C0043	SCHEDA USER INTERFACE LIV. A	USER INTERF. BOARD, LEV. A	for Level A
307	0675838802	0C0041	SCHEDA USER INTERFACE LIV. B	USER INTERF. BOARD, LEV. B	for Level B
307	0675854600	0C4891	SCHEDA USER INTERFACE LIV. C	USER INTERF. BOARD, LEV. C	for Level C
308	0675837808	0C0042	SCHEDA POWER	MAIN POWER	for Level A, B
308	0675854501	0C4890	SCHEDA POWER	MAIN POWER	for Level C
308	0675400206	*	SCHEDA POWER	MAIN POWER	for Level B EMPERO
-	0546814001	0C3750	DISTANZIALE ARCHETTO NYLON	SPACER NYLON	
309	0546824600	0C5833	PROLUNGA PULSANTE	PROLONG	
310	0652804600	0C2954	FUSIBILE F 20A 10x38	FUSE F 20A 10x38	
311	0652800701	058869	FUSIBILE RAPIDO 10 A F	FUSE FAST 10 A F	
311	0652803900	0C2301	FUSIBILE OMEGA 800MA	FUSE OMEGA 800MA	
312	0652802100	0F0031	PORTAFUSIBILE	FUSE HOLDER	
313	0646812200	007042	LIMITATORE, CELLA	LIMITER, CAVITY	
314	0508840801	002628	FLANGIA	FLANGE	
315	0574804900	002627	VETRO	GLASS	
316	0543842000	002626	GUARNIZIONE	GASKET	
317	0660808300	0C4396	LAMPADA ALOGENA	HALOGEN LAMP	Up to 4361...
317	0660400100	0C9877	LAMPADA ALOGENA	HALOGEN LAMP	From 4371...
318	0660806401	007055	PORTALAMPADA	LAMP HOLDER	
319	0508896801	007081	FARFALLA	CLOSER	
320	0680802300	0C5501	MOTORIDUTTORE	MOTOREDCER	
322	0543832200	0C1168	GUARNIZIONE	GASKET	
323	0831806402	0C1219	CONDOTTO ARIA	DUCT, AIR	
324	0624811000	0C4106	VENTILATORE	FAN	
325	0694805900	0C4950	FILTRO ANTIDISTURBO	FILTER	
326	0639804900	046357	MORSETTIERA	TERMINAL BOARD	
327	0694800700	0C1186	CONDENSATORE 31 Mf	CAPACITOR 31MF	
327	0694802700	0C1187	CONDENSATORE 15Mf	CAPACITOR 15 MF	
328	0624400100	0C6895	TRASFORMATORE	TRANSFORMER	up to 3291
328	0624400900	0C9557	TRASFORMATORE	TRANSFORMER	from 3301
329	0648803001	058857	RELE	RELE	for Level A e B
330	0624807002	007047	ALIMENTATORE SWITCHING	SWITCHING FEEDER	for Level A
331	0646812900	0C1147	LIMITATORE, BOILER	LIMITER, BOILER	
332	0509803900	0C4459	RIFLETTORE	REFLECTOR	
336	0543843500	0C5451	GUARNIZIONE	GASKET	
341	0648722900	088267	RELE' SICUREZZA	SAFETY RELAY	
342	0831851202	0C4936	ASSIEME FILTRO CRUSCOTTO	ASS. FILTER CONTROL PANEL	
343	0549400K00	0C9992	FILTRO CRUSCOTTO	FILTER CONTROL PANEL	
			<b>Pagina 6</b>	<b>Page 6</b>	
400	0831849801	0C6016	PORTATEGLIE DX P60	TRAY SUPPORT DX P60	
401	0831849901	0C6017	PORTATEGLIE SX P60	TRAY SUPPORT SX P60	
402	0806872800	0C4961	SUPPORTO CON S.G.	SUPPORT S.G.	
403	0511828100	0C5620	SUPPORTO	SUPPORT	
			<b>SONDE DI TEMPERATURA</b>	<b>TEMPERATURE PROBES</b>	

**10 GN 2/1 GAS CONVECTION / STEAMER OVEN  
FORNO CONVEZIONE / VAPORE GAS 10 GN 2/1**

<i>Pos</i>	<i>Factory Code</i>	<i>6DGT Code</i>	<i>Descrizione</i>	<i>Description</i>	<i>Ref./Note</i>
	0830898900	0C0324	SONDA CELLA 500mm ROSSA	CAVITY PROBE 500mm RED	
	0830898901	0C7028	SONDA CELLA 500mm ROSSA	CAVITY PROBE 500mm RED	
	0830898902	0C6538	SONDA CELLA 500mm ROSSA	CAVITY PROBE 500mm RED	
	0830899002	0C0325	SONDA BOILER 800mm AZZURRA	BOILER PROBE 800mm BLUE	for Level A e B
	0830899100	0C0326	SONDA BYPASS 1100 BIANCO	BYPASS PROBE 1100mm WHITE	for Level A e B
	0830899101	0C6539	SONDA BYPASS 1100 BIANCO	BYPASS PROBE 1100mm WHITE	for Level A e B