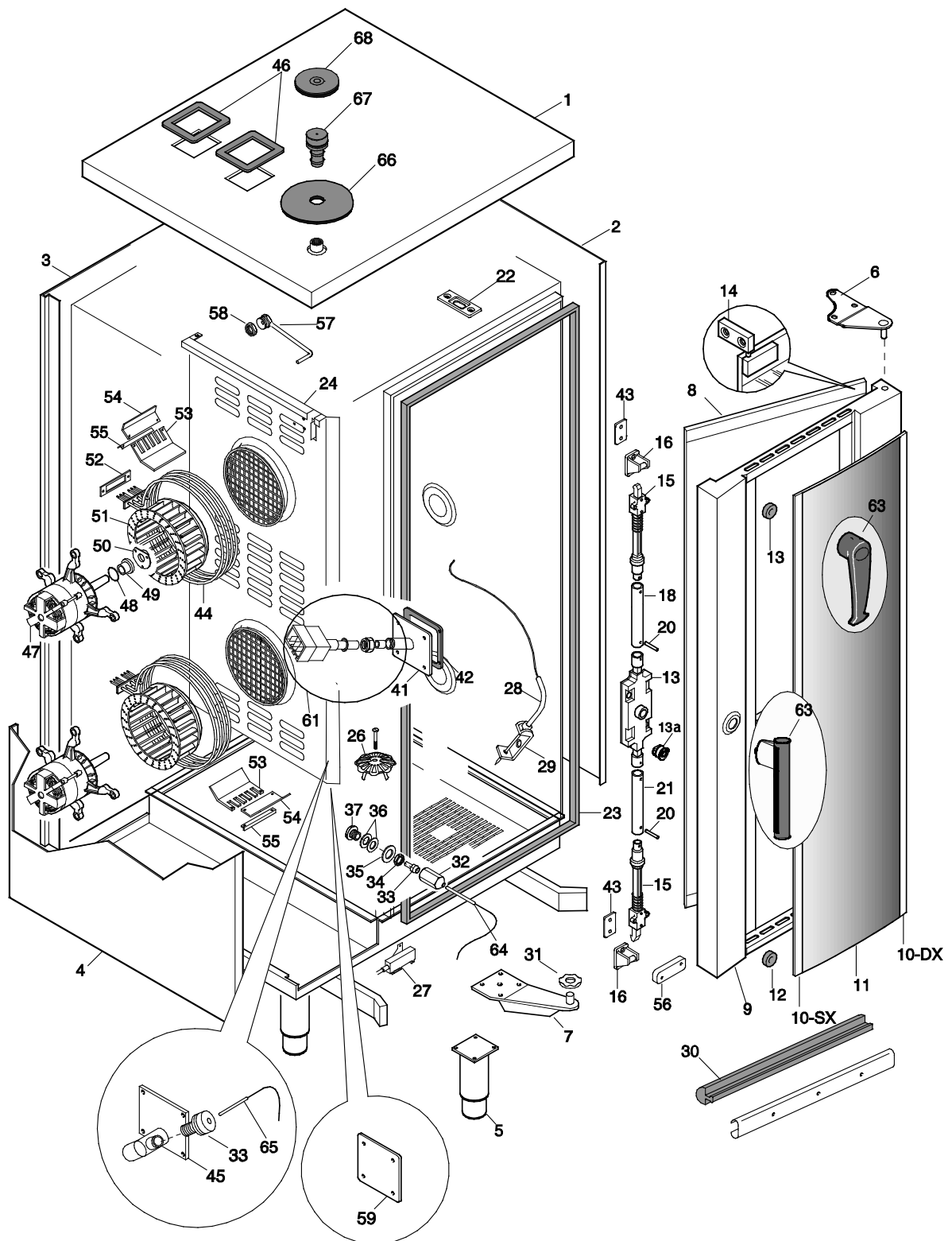


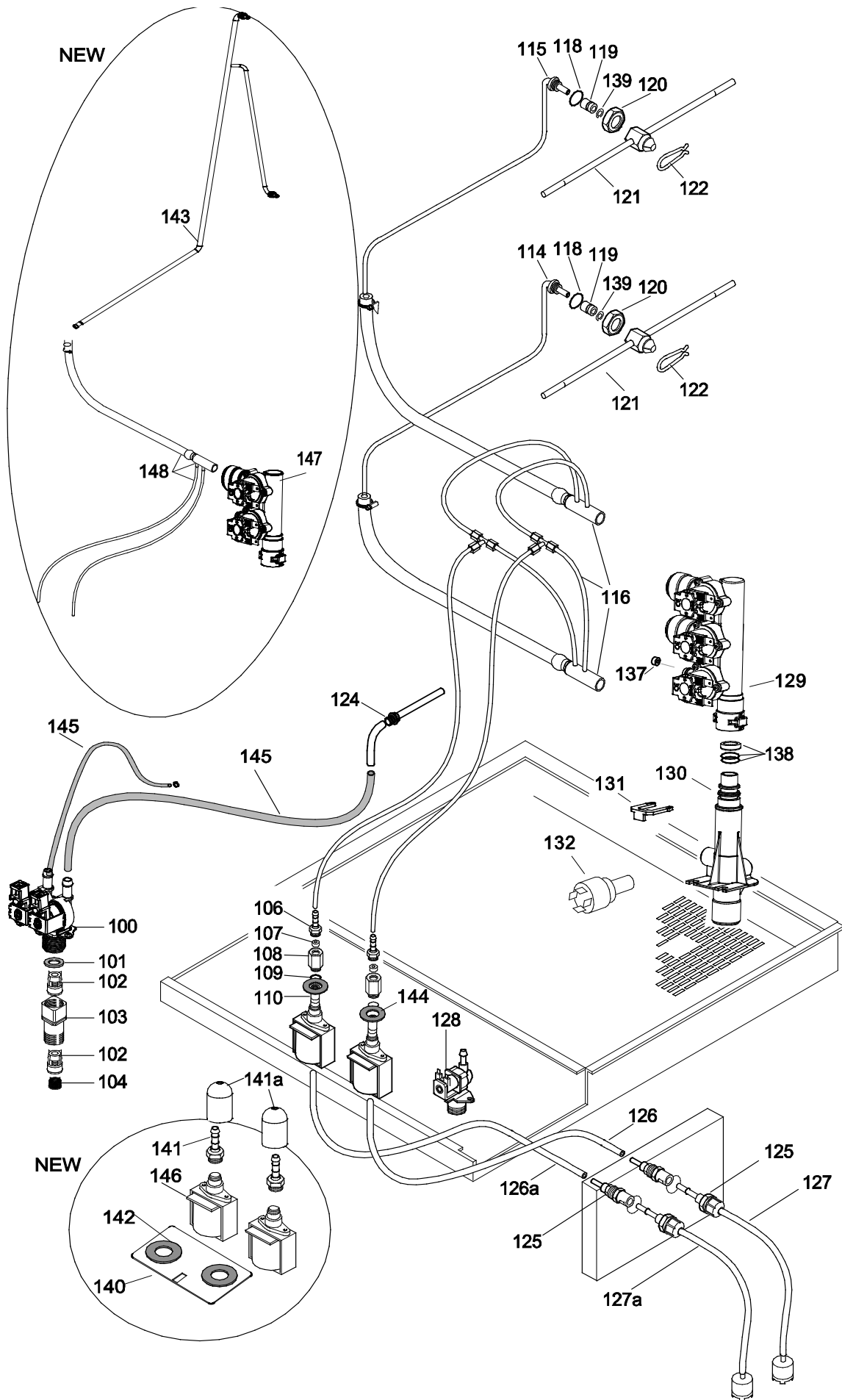
20 GN 2/1 ELECTRIC CONVECTION / STEAM OVEN
FORNO CONVEZIONE / VAPORE ELETTRICO 20 GN 2/1

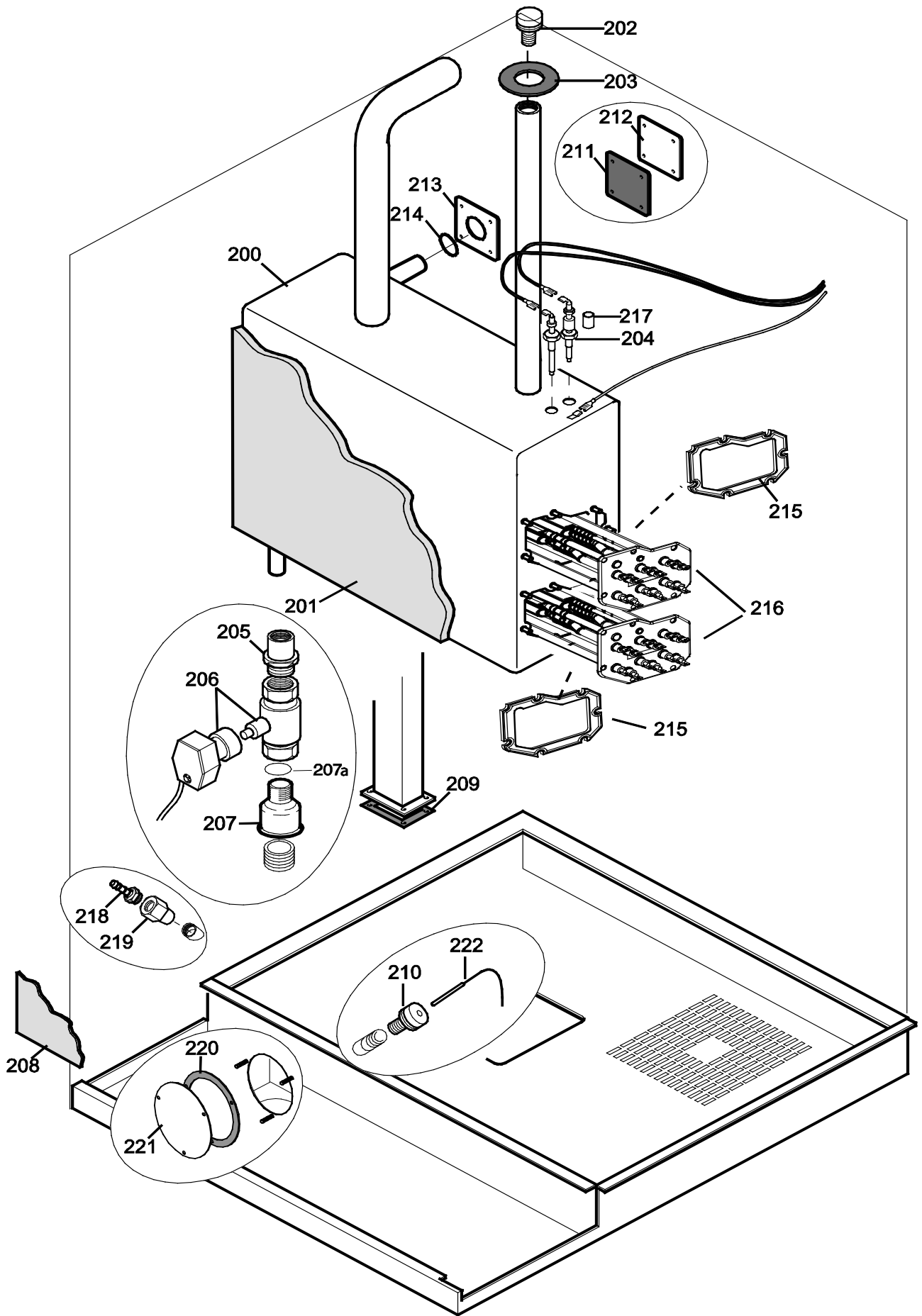
PNC	Model	Ref	Group	Level	Page	Notes
190026	AOS202EBA2	e1	AOS	Level B	2...11	230V 3N 50/60 HZ
236205	FCZ202EKA	q	FCZ	Level K	2...11	STD (400V - 3N)
237205	FCZ202ETA	i	FCZ	Touch	2...11	STD (400V - 3N)
238205	FCZ202EBA2	l	FCZ	Level B	2...11	STD (400V - 3N)
239205	FCZ202ECA2	m	FCZ	Level C	2...11	STD (400V - 3N)
266205	AOS202EKA1	p	AOS	Level K	2... 11	STD (400V - 3N)
266355	AOS202EKR1	a1	AOS	Level K	2...11	400V 3N 50/60 HZ AUS
267205	AOS202ETA1	a	AOS	Touch	2...11	STD (400V - 3N)
267235	AOS202ETC1	e	AOS	Touch	2...11	200V 3N 50/60 HZ JAPAN
267285	AOS202ETM1	b	AOS	Touch	2...11	America (208V - 3)
267305	AOS202ETK1	d	AOS	Touch	2...11	UK (400V - 3N)
267325	AOS202ETV1	n	AOS	Touch	2... 11	USA (480V - 3)
267355	AOS202ETR1	b1	AOS	Touch	2...11	400V 3N 50/60 HZ AUS
268205	AOS202EBA2	f	AOS	Level B	2...11	STD (400V - 3N)
268235	AOS202EBC2	r	AOS	Level B	2...11	200V 3N 50/60 HZ JAPAN
268305	AOS202EBH2	g	AOS	Level B	2...11	UK (400V - 3N)
268355	AOS202EBR2	c1	AOS	Level B	2...11	400V 3N 50/60 HZ AUS
269205	AOS202ECA2	h	AOS	Level C	2...11	STD (400V - 3N)
269305	AOS202ECK2	o	AOS	Level C	2...11	UK (400V - 3N)
269355	AOS202ECR2	d1	AOS	Level C	2...11	400V 3N 50/60 HZ AUS

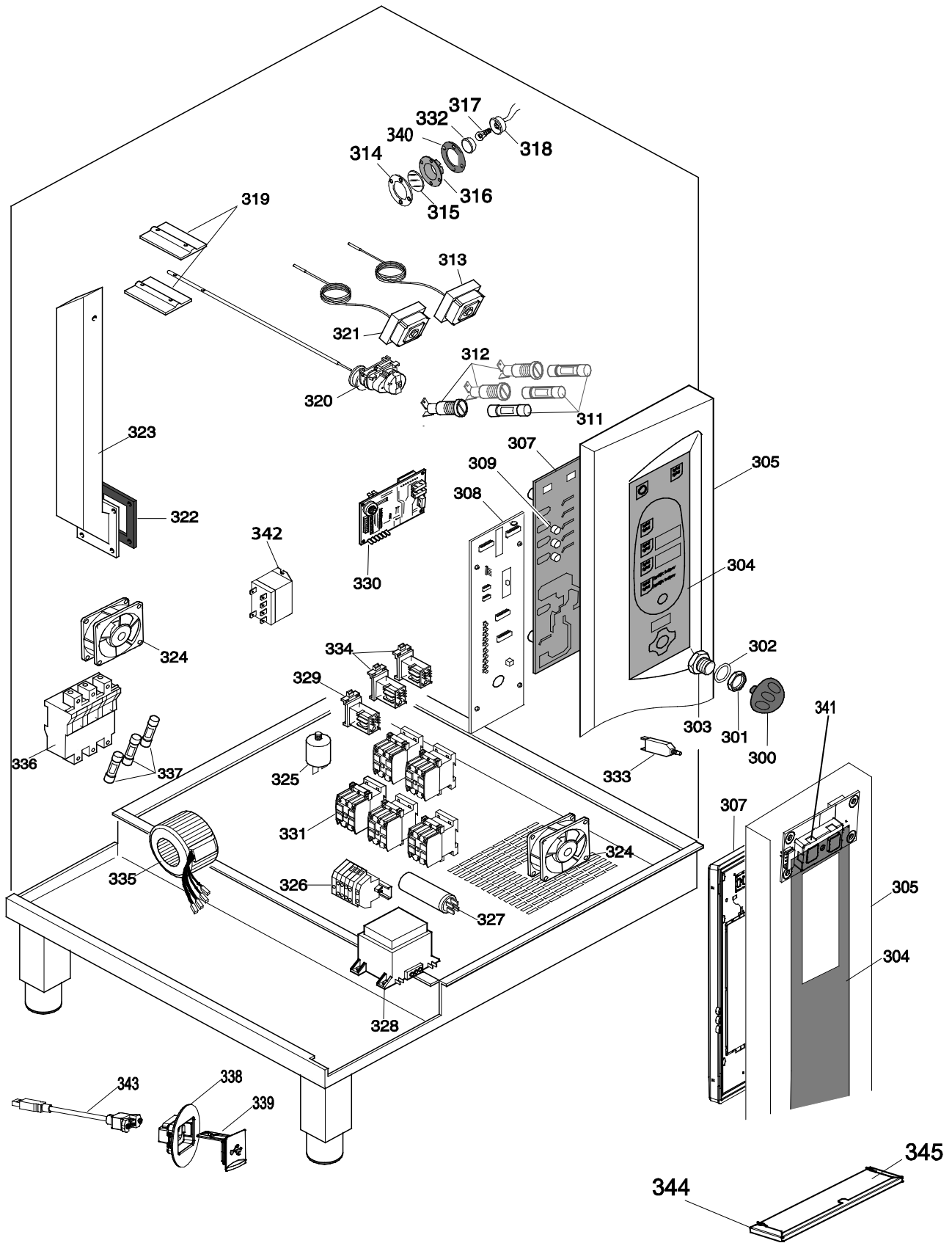
Pag	Index	Indice	Note
2	Oven cabinet and door.	Cella forno e porta	
3	Water system	Impianto idraulico	
4	Boiler	Boiler	
5	Electrical components	Componenti elettrici	
6	Accessories	Accessori	
7...11	Spare parts list	Lista ricambi	

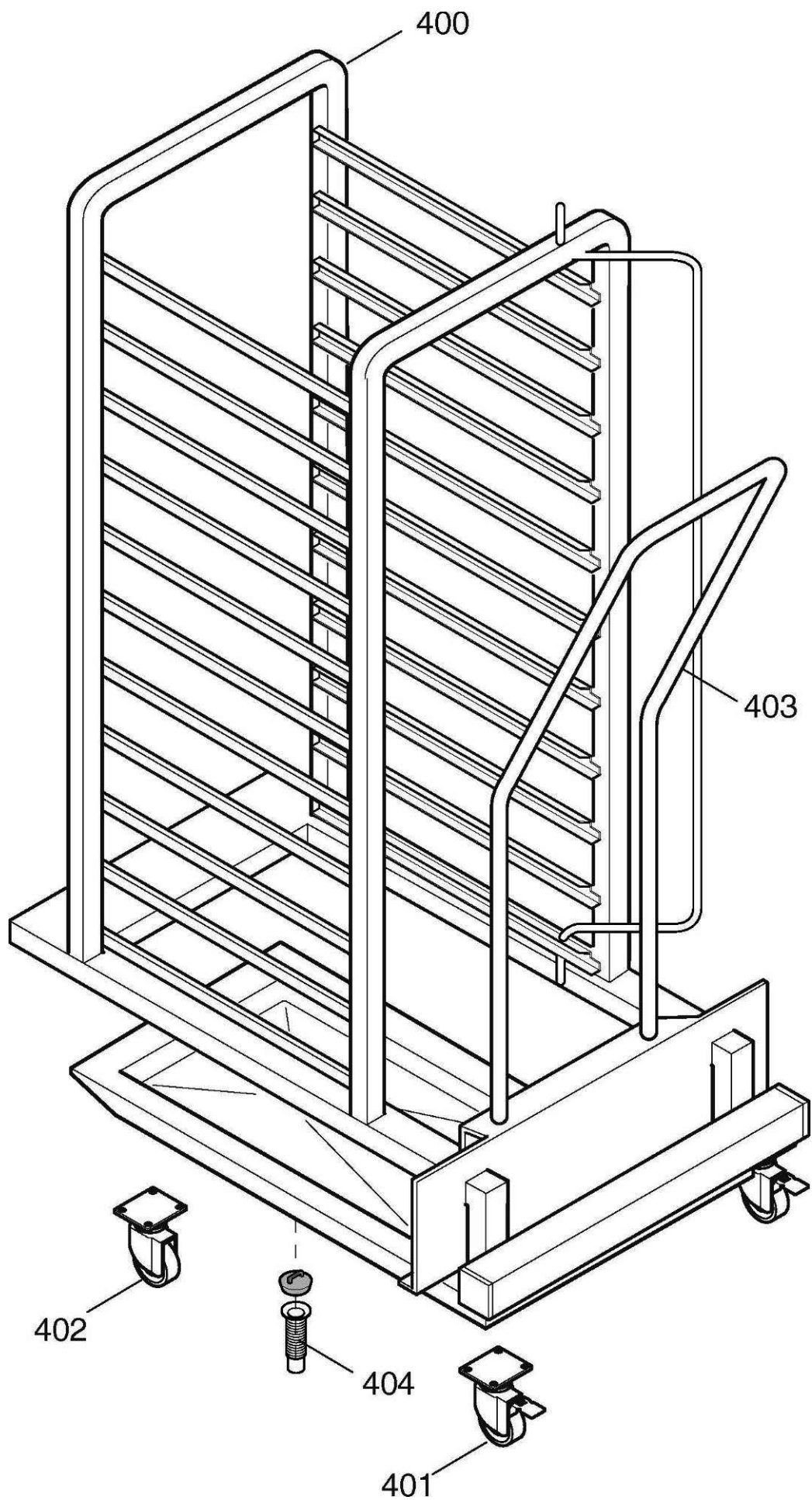
Brand/Marchio: All
Factory code: 9PDD











20 GN 2/1 ELECTRIC CONVECTION / STEAMER OVEN
FORNO CONVEZIONE / VAPORE ELETTRICO 20 GN 1/1

<i>Pos</i>	<i>Factory Code</i>	<i>6DGT Code</i>	<i>Descrizione</i>	<i>Description</i>	<i>Ref./Note</i>
			Pagina 2	Page 2	
1	0530892000	0C6184	COPERCHIO	COVER	
1	0873871302	0C4305	COPERCHIO	COVER	For Lev. C,K
2	0538832100	0C6206	FIANCO DX	RIGHT SIDE PANEL	
3	0538834100	0C6208	SCHIENALE	BACK PANEL	
4	0538834600	0C6210	FIANCO SX	LEFT SIDE PANEL	
5	0806871700	0C4824	PIEDE	FOOT	
6	0512816003	007086	CERNIERA SUPERIORE	UPPER HINGE	
7	0806843301	0C2483	CERNIERA INFERIORE	LOWER HIGE	
8	0873870202	0C4870	VETRO INTERNO	INNER GLASS	
9	0873860410	0C5068	PORTA COMPLETA	COMPLETE DOOR	
10	0530873600	0C4970	PROFILO FERMAVETRO DX	RIGHT TRIM	
10	0530873700	0C4971	PROFILO FERMAVETRO SX	LEFT TRIM	
11	0574400600	0C6562	VETRO ESTERNO	EXTERNAL GLASS	For AOS
11	0574818801	0C4946	VETRO ESTERNO	EXTERNAL GLASS	For FCZ
12	0543828001	006976	AMMORIZZATORE	DAMPER	
*	0856808701	0C4119	ASSIEME CHIUSURA	ASS LOCK MECHANISM	
13	0853821500	003824	CORPO CHIUSURA	CORE DOOR LOCK MECHANISM	
13a	0806873501	0C8627	BOCCOLA	BUSH	
14	0806822000	007007	CERNIERA VETRO INTERNO	HINGE, INNER GLASS	
15	0853821600	003822	MECCANISMO DI ESTREMITA'	HOOK	
16	0538804900	0C3802	NASELLO CHIUSURA PORTA	CATCH DOOR CLOSING	
18	0513800501	0C4309	ASTA SUPERIORE	SUP. LEVER DOOR LOCK MEC.	
20	0214593100	0H6043	SPINA ELASTICA	ELASTIC PIN	
21	0513801100	0C4310	ASTA INFERIORE	INF. LEVER DOOR LOCK MEC.	
22	0543839700	0C4088	GUARNIZIONE FLANGIA SPILLONE	GASKET	
23	0543835100	0C1889	GUARNIZIONE CELLA	CAVITY GASKET	
24	0831847304	0C4622	PARETE DI ASPIRAZIONE	SUCTION WALL	
26	0518808700	0C2769	FILTRO FONDO	FILTER	
27	0654600000	049621	INTERRUTTORE MAGNETICO	MAGNETIC SWITCH	
28	0830400B00	0C6574	SONDA SPILLONE (6 PUNTI)	MEAT PROBE (6 POINTS)	For Level Touch
28	0830400A00	0C6573	SONDA SPILLONE (1 PUNTO)	MEAT PROBE (SINGLE POINT)	For Level B, C,K
29	0527865201	0C1505	SUPPORTO SPILLONE	MEAT PROBE SUPPORT	
30	0543838001	0C4131	GUARNIZIONE	GASKET	
31	0510815700	002653	POSIZIONATORE	POSITIONER	
32	0516855300	006991	DADO SONDA CELLA	NUT, CAVITY PROBE	
33	0543842600	0C4872	TAPPO PER SENSORE	STOPPER FOR SENSOR	
34	0214105101	020997	CONTRODADO	LOCK NUT	
35	0508838701	002700	RONDELLA	WASHER	
36	0516809301	002701	TENUTA	GASKET	
37	0516809400	002623	RACCORDO SONDA CELLA	CONNECTION, CAVITY PROBE	
41	0806857201	0C4244	CONDOTTO SONDA LAMBDA	DUCT, LAMBDA PROBE	For Level Touch
42	0543838300	0C4093	GUARNIZIONE	GASKET	
43	0538807400	0C4122	DISTANZIALE 20/10	SPACER 20/10	
44	0617828000	0C1173	RESISTENZA (8 kW/400V)	HEATING ELEMENT (8 kW/400V)	For 400V Version
44	0617829300	0C2241	RESISTENZA (8 kW/208V USA)	HEAT. ELEMENT (8 kW/208V USA)	For 208V Version
44	0617829900	0C2242	RESISTENZA (8 kW/240 V USA)	HEAT. ELEMENT (8 kW/240V USA)	For 240V Version
44	0617400C00	0C9858	RESISTENZA CELLA(8kw/200V)	HEAT. ELEMENT(8 kW/200V)	For Japan Version
44	0617400901	0C6502	RESISTENZA CELLA(8kw/400V)	HEAT. ELEMENT (8 kW/400V)	For a-d-f-g-i-l-p-q
44	0617830000	0C1806	RESISTENZA (8 kW/ 230V)	HEATING ELEMENT (8 kW/230V)	For e1
45	0806856300	0C4311	CONDOTTO BY-PASS	BY-PASS DUCT	For Level B
46	0543832100	0C1194	GUARNIZIONE CONDOTTO ARIA	GASKET	
47	0611810000	0C6563	MOTORE	MOTOR	
47	0611400500	0C6704	MOTORE	MOTOR	For 208V,240V 60Hz, Japan Version
48	0543816700	002873	O RING	O RING	
49	0516808902	002699	CUSCINETTO	BEARING	

20 GN 2/1 ELECTRIC CONVECTION / STEAMER OVEN
FORNO CONVEZIONE / VAPORE ELETTRICO 20 GN 1/1

<i>Pos</i>	<i>Factory Code</i>	<i>6DGT Code</i>	<i>Descrizione</i>	<i>Description</i>	<i>Ref./Note</i>
50	0538815401	0C4138	FLANGIA	FLANGE	
51	0835400900	0C6464	VENTOLA	FAN	
52	0543816501	002689	GUARNIZIONE RESISTENZE CELLA	GASKET, CAVITY HEAT. ELEMENT	
53	0527833700	0C3830	STAFFA	SUPPORT	
54	0503891801	006256	STAFFA	SUPPORT	
55	0503897402	006253	ANGOLARE	SUPPORT	
56	0699603700	049627	MAGNETE	MAGNET	
57	0856828500	0C4976	CONDOTTO UMIDIFICATORE	HUMIDIFIER PIPNG	For Level C,K
58	0516887101	0C6228	DADO CONDOTTO	NUT HUMIDIFIER	For Level C,K
59	0527898900	0C4857	PIASTRA CHIUSURA	FLANGE	For Level C,K
61	-	0C6465	KIT SONDA LAMBDA	LAMBDA KIT	for level TOUCH
63	0806873601	0C8719	MANIGLIA COMPLETA	COMPLETE DOOR HANDLE	for FCZ Group
63	0830400200	0C6568	MANIGLIA COMPLETA	COMPLETE DOOR HANDLE	for AOS Group
64	0830400N00	0C7028	SENSORE TEMPERATURA	TEMP. PROBE	for level TOUCH
64	0830898902	0C6538	SENSORE TEMPERATURA	TEMP.PROBE	For level B-C-K
65	0830899101	0C6539	SENSORE TEMPERATURA	TEMP. PROBE	
66	0543400900	0C7016	GUARNIZIONE PER TUBO	PIPE GASKET	
67	0543816601	002692	TAPPO CARICO DISINCROST.	RECHARGE CAP FOR SCALER	
68	0543843201	0C4965	GOMMINO CHIUSURA ING.DISIN	GASKET	
			Pagina 3	Page 3	
100	0696808400	0C5517	ELETTROVALVOLA 2 VIE	WATER VALVE 2 WAYS	for Level Touch,B
101	0543840600	0C4096	GUARNIZIONE FILTRO REFLEX	GASKET	for Level Touch,B
102	0549801800	0C2312	VALVOLA NON RITORNO	NOT RE-FLOW VALVE	for Level Touch,B
103	0516879400	0C2313	RACCORDO ENTRATA ACQUA	PIPE FITTING	for Level Touch,B
104	0543840600	0C4096	ASSIEME FILTRO	FILTER	for Level Touch,B
106	0516896102	0C4198	PORTAGOMMA	CONNECTION	for Level Touch,B
107	0544809000	0C1117	VALVOLA NON RITORNO OF10D	VALVE	for Level Touch,B
108	0516871900	0C1116	RACCORDO PER POMPA	PUMP CONNECTION	for Level Touch,B
109	0543832300	0C1935	O. RING	OR	for Level Touch,B
110	0680801201	0C2341	POMPA	PUMP	50 Hz
			KIT POMPA	PUMP KIT	
		0C5371	0C2341+0C1116+0C1935	0C2341+0C1116+0C1935	For 50 Hz
110	0680801301	0C2342	POMPA	PUMP	60 Hz
111					
112					
113					
114	0806871100	0C6031	ASS CONDOTTO BASSO	WASHING PIPING DOWN	
115	0806870900	0C6047	ASS.CONDOTTO ALTO	WASHING PIPING UP	
116	0805400A00	0C6212	ASS. COLLETORE + TUBI	COLLECTOR+PIPING	Up to 145...
116	0805400A03	0C8185	ASS. COLLETORE + TUBI	COLLECTOR+PIPING	From 146...
118	0543841400	0C4201	ANELLO DI TENUTA	OR	
119	0516898301	0C4467	ATTACCO PER GETTO	CONNECTION FOR WASH ARM	
120	0516892301	0C4202	DADO	NUT	
121	0806873900	0C5503	ASSIEME GETTO ROTANTE	ROTATING WASHING JET	
122	0518807100	007026	MOLLA AGGANCIO GETTO ROTA	SPRING	
123					
124	0H22982800	007075	TUBO UMIDIFICATORE 57X2/5	PIPING	for Level A,B
124	0856828700	0C4978	TUBO UMIDIFICATORE	PIPING	for Level C,K
125	0831811702	0C1127	GRUPPO COLLEGAMENTO EXT.	EXTERNAL PIPING	
126	-	0C9799	TUBO FLESS. 6x8mm rosso	FLEX PIPE 6x8mm red	
126a	-	0C9800	TUBO FLESS. 6x8mm blu	FLEX PIPE 6x8mm blue	
127	-	0C9797	TUBO FLESS.4x6mm rosso	FLEX PIPE 4x6mm red	
127a	-	0C9798	TUBO FLESS. 4x6mm blu	FLEX PIPE 4x6mm blue	
128	0696808200	0C5515	ELETTROVALVOLA	WATER VALVE	for Level C,K
128	0696808801	0C6170	ELETTROVALVOLA	WATER VALVE	for Level B
129	0696400400	0C6407	GRUPPO VALVOLE CLEANYNG	VALVE GROUP C.S.	for Level C,K
129	0696400200	0C6371	GRUPPO VALVOLE CLEANYNG	VALVE GROUP C.S.	For 60Hz

20 GN 2/1 ELECTRIC CONVECTION / STEAMER OVEN
FORNO CONVEZIONE / VAPORE ELETTRICO 20 GN 1/1

<i>Pos</i>	<i>Factory Code</i>	<i>6DGT Code</i>	<i>Descrizione</i>	<i>Description</i>	<i>Ref./Note</i>	
129	0696808700	0C6372	GRUPPO VALVOLE CLEANYNG	VALVE GROUP C.S.	For level TOUCH,B	
130	0831857200	0C6370	ASSIEME COLLETTORE LAVAGGIO	CONNECTION,C.S.		
131	0546825100	0C6222	FORCELLA SICUREZZA	CLIP		
132	0646817200	0C6217	PRESSOSTATO ATTACCO RAPID	CONNECTION FOR WASH		
137	-	0C6375	KIT RIDUTTORI	FLOW REDUCER KIT		
138	-	061303	KIT O-RING +BUSSOLA	O-RING +BUSH KIT		
139	0219035015	0C6421	ANELLO ELASTICO	ELASTIC RING		
140	0505401R00	0C7924	PIASTRINA FISSAGGIO POMPE	FIXING PLAQUE		
141	0544400C01	0C8348	VITE TTL	TTL SCREW		Up to 5151... From 5161...
141	0544400C02	0CA348	VITE TTL	TTL SCREW		
141a	0546400J00	0C9538	CAPPUCCIO DI PROT.	PROTECTION CAP		
142	0543400R00	0C7925	PASSACAVO	WIRING BUSH		
143	0805402400	0C8328	TUBO EXT	EXT. PIPE		
144	0246530100	005382	GOMMINO	GASKET		
145	0544819400	0C5829	TUBO EPDM BLU	EPDM PIPE		
146	0686400100	0C8347	POMPA DEFOND PHOENIX	PHOENIX DEFOND PUMP		Up to 4441... From 4451...
146	0686400201	0CA112	POMPA CEME	CEME PUMP		
147	0835400L00	0C8683	GRUPPO ENTRATA ACQUA	GROUP WATER INLET		
147	0835400M00	0C8684	GRUPPO ENTRATA ACQUA	GROUP WATER INLET	For level C,K	
148	0805400A02	0C8185	ASS. COLLETTORE + TUBI	COLLECTOR+PIPING		
			Pagina 4	Page 4		
200	0878401600	0C9665	KIT ASSIEME BOILER	BOILER ASS.Y KIT	For Lev. C,K	
201	0569807100	0C5838	KITISOLAMENTO BOILER EL.	KIT ISOLATION		
202	0543816601	002692	TAPPO	STOPPER		
203	0543817500	0C7016	GOMMINO CHIUSURA	GASKET		
203	0543843200	0C4965	GOMMINO INGRESSO DISINCR.	GASKET		
204	0831858600	0C7128	SONDA DI LIVELLO	LEVEL PROBE		
205	0516809501	007117	RACCORDO PER VALVOLA	CONNECTION		
206	0696804201	0C0882	VALV.SFERA MOTORIZZATA	DRAIN VALVE		
206	0696808500	0C5518	VALV.SFERA MOTORIZZATA	DRAIN VALVE		For 60 Hz Version
207	0511817600	007040	MANICOTTO RIDOTTO	CONNECTION		
207a	0543816800	002874	O-RING	SEALING RING		For Touch, Level B version
208	0560845602	0C4141	KIT ISOLAMENTO AIR BREAK	KIT ISOLATION		For Lev. C,K For Lev. C,K For 400V Version For 208V Version For 240V Version For Japan Version For e1
209	0543832400	0C4133	GUARNIZIONE AIR BREAK	AIR BREAK GASKET		
210	0543842600	0C4872	TAPPO PER SENSORE	STOPPER FOR SENSOR		
211	0527899100	0C4858	FLANGIA CHIUSURA FORO BOILER	FLANGE		
212	0543843100	0C4964	GUARN. CHIUSURA FORO BOILER	GASKET		
213	0538806601	0C4142	FLANGIA TENUTA BOILER	FLANGE, BOILER		
214	0543832500	0C3128	ORTENUTA BOILER	OR BOILER		
215	054384480	0C5834	GUARNIZIONE	GASKET		
216	0617836500	0C5841	RESISTENZA BOILER (24 kW/400V)	HEAT. ELEM. BOILER (24 kW/400V)		
216	0617837200	0C5822	RESIST. BOILER (24 kW/208V USA)	HEATING ELEM. BOIL. 24 kW/208V		
216	0617837800	0C5825	RESIST. BOILER (24 kW/240V USA)	HEATING ELEM. BOIL. 24 kW/240V		
216	0617839502	0C6027	RESIST. BOILER (20kw/200V)	HEATING ELEM. BOIL.(20kw/200V)		
216	0617837502	0C5844	RESIST. BOILER (20kw/230V)	HEATING ELEM. BOIL.(20kw/230V)		
217	0515857001	055347	DISTANZIALE	SPACER		
218	0510828000	0C5564	RESCA D12 FILETT 1/4' GAS	PIPE CONNECTION		
219	0516889400	0C3797	UGELLO 'ELPIS'1/4'FD3.5-3/8'M	NOZZLE		
220	0543400000	0C7033	GUARNIZIONE PORTELLO	GASKET	for level TOUCH	
221	0J89061403	0C3443	PORTELLO ISPEZIONE	INSPECTION COVER		
222	0830899101	0C6539	SONDA BYPASS 1100 BIANCO	BYPASS PROBE 1100mm WHITE	for Level TOUCH e B	
			Pagina 5	Page 5		
300	0806874001	0C5600	MANOPOLA	HANDLE		

20 GN 2/1 ELECTRIC CONVECTION / STEAMER OVEN
FORNO CONVEZIONE / VAPORE ELETTRICO 20 GN 1/1

<i>Pos</i>	<i>Factory Code</i>	<i>6DGT Code</i>	<i>Descrizione</i>	<i>Description</i>	<i>Ref./Note</i>
301	0214114900	051263	CONTRODADO	LOCK NUT	
302	0508836400	002727	RONDELLA	DISK	
303	0516807301	002662	BOCCOLA	BUSH	
304	0548400600	0C6550	MEMBRANA LIV.TOUCH	LAYER LEV. TOUCH	AOS Ver.
304	0548400B00	0C6551	MEMBRANA LIV.TOUCH	LAYER LEV. TOUCH	FCZ Ver.
304	0548400G00	0C6554	MEMBRANA LIV.B	LAYER LEV. B	for Level B AOS Ver.
304	0675855001	0C4948	MEMBRANA LIV.B	LAYER LEV. B	for Level B FCZ Ver.
304	0548400K00	0C6557	MEMBRANA LIV.C	LAYER LEV. C	for Level C AOS Ver.
304	0675855102	0C4949	MEMBRANA LIV.C	LAYER LEV. C	for Level C FCZ Ver.
304	0548401H00	0C8707	MEMBRANA LIV.TOUCH "K"	LAYER LEV, TOUCH "K"	For level touch "K" AOS ver.
305	0875401B01	0C7032	CRUSC. + MEMBRANA TOUCH	CONTROL PANEL+LAYERTOUCH	for TOUCH AOS group
305	0870400Q00	0C6598	CRUSCOTTO TOUCH (NO MEMBRANA)	CONTROL PANEL TOUCH (NO LAYER)	for TOUCH FCZ Group
305	0870400C00	0C6589	CRUSCOTTO LIV. B (NO MEMBR.)	CONT.PANEL LEV. B (NO LAYER)	for Level B AOS Ver.
305	0873896902	0C4911	CRUSCOTTO LIV. B (NO MEMBR.)	CONT.PANEL LEV. B (NO LAYER)	for Level B FCZ Ver.
305	0870400R00	0C6599	CRUSCOTTO LIV. C (NO MEMBR.)	CONT.PANEL LEV. C (NO LAYER)	for Level C AOS Ver.
305	0873897002	0C4912	CRUSCOTTO LIV. C (NO MEMBR.)	CONT.PANEL LEV. C (NO LAYER)	for Level C FCZ Ver.
305	0875401R00	0C8708	CRUSCOTTO LIV. TOUCH "K" CON MEMBRANA	CONT.PANEL TOUCH "k" WITH LAYER	For level Touch "K" AOS vers.
307	675400A00	0C6571	SCHEDA USER INTERFACE LIV.TOUCH	USER INTERF. BOARD, LEV. TOUCH	for Level TOUCH,K up to 2441...
307	675400P01	0C8805	SCHEDA USER INTERFACE LIV.TOUCH	USER INTERF. BOARD, LEV. TOUCH	for Level TOUCH,K from 2451... up to 4481...
307	675400P03	0CA070	SCHEDA USER INTERFACE LIV.TOUCH	USER INTERF. BOARD, LEV. TOUCH	for Level TOUCH,K from 4491...
307	0675838802	0C0041	SCHEDA USER INTERFACE LIV. B	USER INTERF. BOARD, LEV. B	for Level B
307	0675854600	0C4891	SCHEDA USER INTERFACE LIV. C	USER INTERF. BOARD, LEV. C	for Level C
307	0675854602	0C7350	SCHEDA USER INT.BOARD LEV.C(1/2SPEED)	USER INT.BOARD LEV.C(1/2 SPEED)	For level c(start sn120...)
308	0675400801	0C6570	SCHEDA POWER	MAIN POWER	for Level TOUCH,K
308	0675400200	0C0042	SCHEDA POWER	MAIN POWER	for Level B
308	0675854501	0C4890	SCHEDA POWER	MAIN POWER	for Level C
309	0546824600	0C5833	PROLUNGA PULSANTE	PROLONG	
311	0652802200	005136	FUSIBILE 16 A	FUSE 16 A	
311	0652803900	0C2301	FUSIBILE 800 mA	FUSE T 630 mA	
311	0652803300	0C1480	FUSIBILE 5X20 6,3A T	FUSE 5X20 6,3A T	For 208V-240V
312	0652802100	0F0031	PORTAFUSIBILE	FUSE HOLDER	
313	0646812200	007042	LIMITATORE, CELLA	LIMITER, CAVITY	
313	0646810802	006314	LIMITATORE, CELLA	LIMITER, CAVITY	For 208V
314	0508840801	002628	FLANGIA	FLANGE	
315	0574804900	002627	VETRO	GLASS	
316	0543817202	002626	GUARNIZIONE	GASKET	
317	0660808300	0C4396	LAMPADA ALOGENA	HALOGEN LAMP	Up to 4361...
317	0660400100	0C9877	LAMPADA ALOGENA	HALOGEN LAMP	From 4371...
318	0660806800	007105	PORTALAMPADA	LAMP HOLDER	
319	0538804000	0C1169	FARFALLA CAMINO CELLA LW	CLOSER	
320	0680802300	0C5501	MOTORIDUTTORE FIBER	MOTOREDUCER	
320	0680802400	0C5502	MOTORIDUTTORE FIBER	MOTOREDUCER	For 60Hz
321	0646814900	0C2983	LIMITATORE, BOILER	LIMITER, BOILER	
322	0543832200	0C1168	GUARNIZIONE	GASKET	
323	0831806402	0C1219	CONDOTTO ARIA	DUCT, AIR	
324	0624811000	0C4106	VENTILATORE	FAN	
325	0694605400	049303	FILTRO	FILTER	
326	0639805401	058707	MORSETTIERA	TERMINAL BOARD	
326	0639811600	0C2673	MORSETTIERA	TERMINAL BOARD	For 208V

From sr. Nr/ Da Ser. Nr.: ***

From status level / Da scatto: 07

Page: 10

Ed. 2015 12

Doc. Nr.: **875400Y00**

20 GN 2/1 ELECTRIC CONVECTION / STEAMER OVEN FORNO CONVEZIONE / VAPORE ELETTRICO 20 GN 1/1					
<i>Pos</i>	<i>Factory Code</i>	<i>6DGT Code</i>	<i>Descrizione</i>	<i>Description</i>	<i>Ref./Note</i>
326	0639810900	0C2243	MORSETTIERA	TERMINAL BOARD	For 240V
326	0639400900	0C9704	MORSETTIERA	TERMINAL BOARD	For Japan Version
327	0694802700	0C1187	CONDENSATORE 15 Mf	CAPACITOR	
327	0694800700	0C1186	CONDENSATORE 31,5 MF	CAPACITOR	
328	0624400100	0C6400	TRASFORMATORE 230V-12/24V	TRANSFORMER 230V-12/24V	Up to 329100..
328	0624400900	0C9557	TRASFORMATORE 230/10-24V	TRANSFORMER 230/10-24V	From to 330100..
328	0624400B00	0C9857	TRASFORMATORE	TRANSFORMER	For Japan Version
328	0624807901	0C0886	TRASFORMATORE	TRANSFORMER	For 208V Version
329	0648803001	058857	RELE	RELE	
329	0648802601	056466	RELE	RELE	For 208V-240V
329	0648722900	088267	RELE	RELE	For 208V-240V
330	0624807002	007047	ALIMENTATORE SWITCHING	SWITCHING FEEDER	
331	0648807300	088477	CONTATTORE K3-10°	CONTACTOR K3-10A	For Lev A,B Japan version
331	0648807800	007104	CONTATTORE K3-40A	CONTACTOR K3-40A	For Lev A,B
331	0648807700	007080	CONTATTORE K3-32°	CONTACTOR K3-32°	
331	0648807400	006879	CONTATTORE K3-18°	CONTACTOR K3-18°	For 208V, Japan version For 208V, Japan version
331	0648613200	0L0355	CONTATTORE K3-24A	CONTACTOR K3-24A	
331	0648808400	0C2244	CONTATTORE K3-50A	CONTACTOR K3-50A	For 208V, Japan version
331	0648809100	0L0430	CONTATTORE K3-18A10	CONTACTOR K3-18A10	For e1
331	0648809200	0C5051	CONTATTORE K3-32A00	CONTACTOR K3-32A00	For e1
331	0648809300	0C5052	CONTATTORE K3-40A00	CONTACTOR K3-40A00	For e1
332	0509803900	0C4459	RIFLETTORE	REFLECTOR	
333					
334					
335	0624400000	0C6945	TRASFORMATORE	TRANSFORMER	For 208V,240V
336	0652803400	0C1487	PORTAFUSIBILE	FUSE HOLDER	For 208V,240V
337	0652803500	0C1488	FUSIB.OMEGA 22X58 80A	FUSEOMEGA 22X58 80A	For 208V,240V
338	0546400200	0C6547	VASCHETTA USB	USB PLUG	for TOUCH level
339	0541400A00	0C6546	COPERTURA USB	USB COVER	for TOUCH level
340	0543843500	0C5451	GUARNIZIONE	GASKET	
341	0675858601	0C8033	TASTO ON-OFF (INTER.PRINCIPALE)	ON-OFF (MAIN SWITCH)	For TOUCH level
342	0648722900	088267	RELE' SICUREZZA	SECURITY RELE	
343	0638400Y00	0C6566	PROLUNGA USB	USB CABLE	For Touch level
344	0831851301	0C4937	ASSIEME FILTRO CRUSCOTTO	ASS. FILTER CONTROL PANEL	
345	0549400K00	0C9992	FILTRO CRUSCOTTO	FILTER CONTROL PANEL	
			Pagina 6		
			Page 6		
400	0853861303	0C1197	CARRELLO PORTA TEGLIE (P63)	TROLLEY (P63)	
401	0835865000	0C1631	RUOTA CON FRENO	WHEEL WITH BRAKE	
402	0835865800	0C2216	RUOTA	WHEEL	
403	0517878001	0C4682	MANIGLIA	HANDLE	
404	0H21503300	006309	PILETTA DI SCARICO	DRAIN	
			SONDE DI TEMPERATURA	TEMPERATURE PROBES	
	0830400N00	0C7028	SONDA CELLA 500mm ROSSA	CAVITY PROBE 500mm RED	
	0830899001	0C0325	SONDA BOILER 800mm AZZURRA	BOILER PROBE 800mm BLUE	for Level TOUCH e B
	0830899101	0C6539	SONDA BYPASS 1100 BIANCO	BYPASS PROBE 1100mm WHITE	for Level TOUCH e B