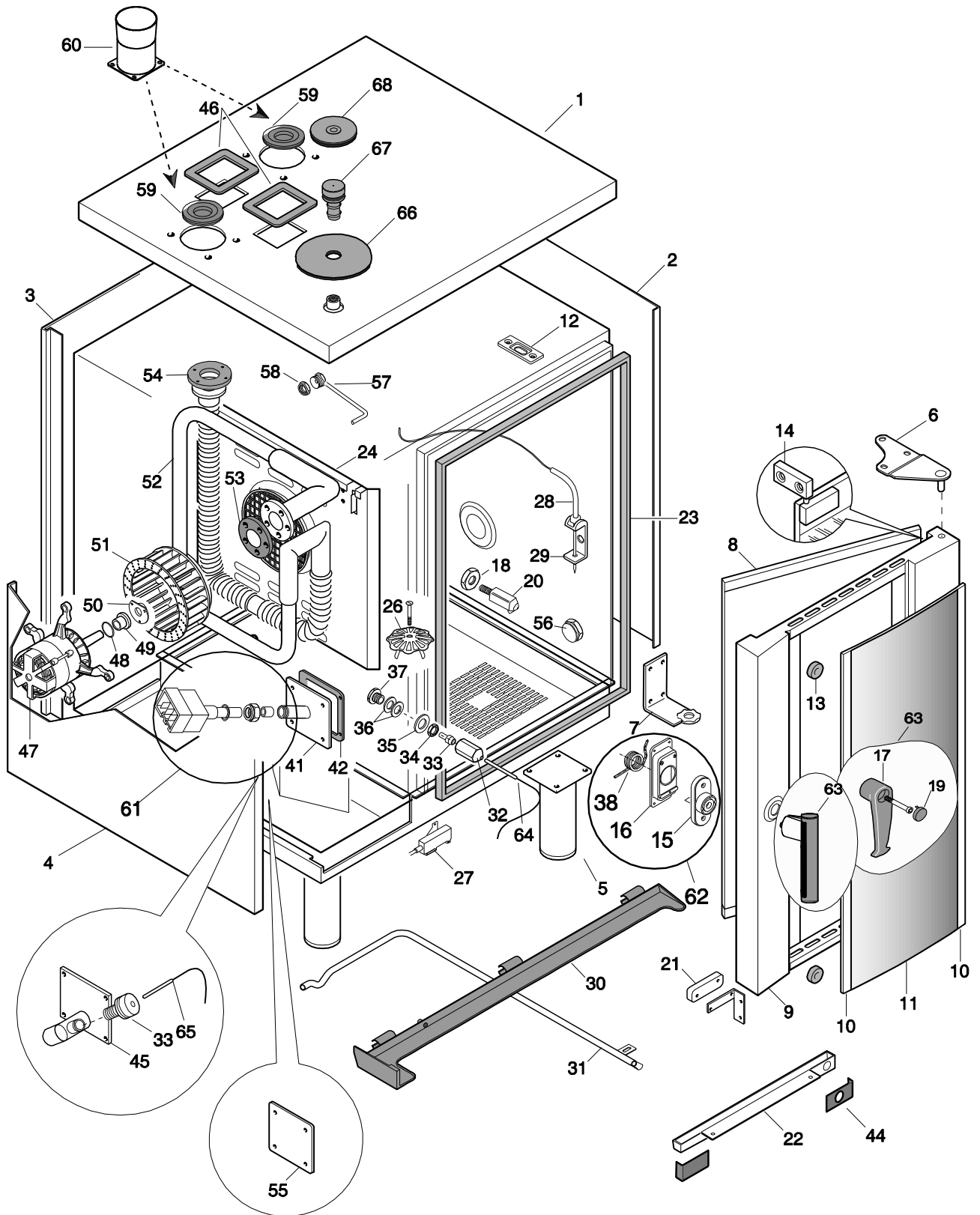
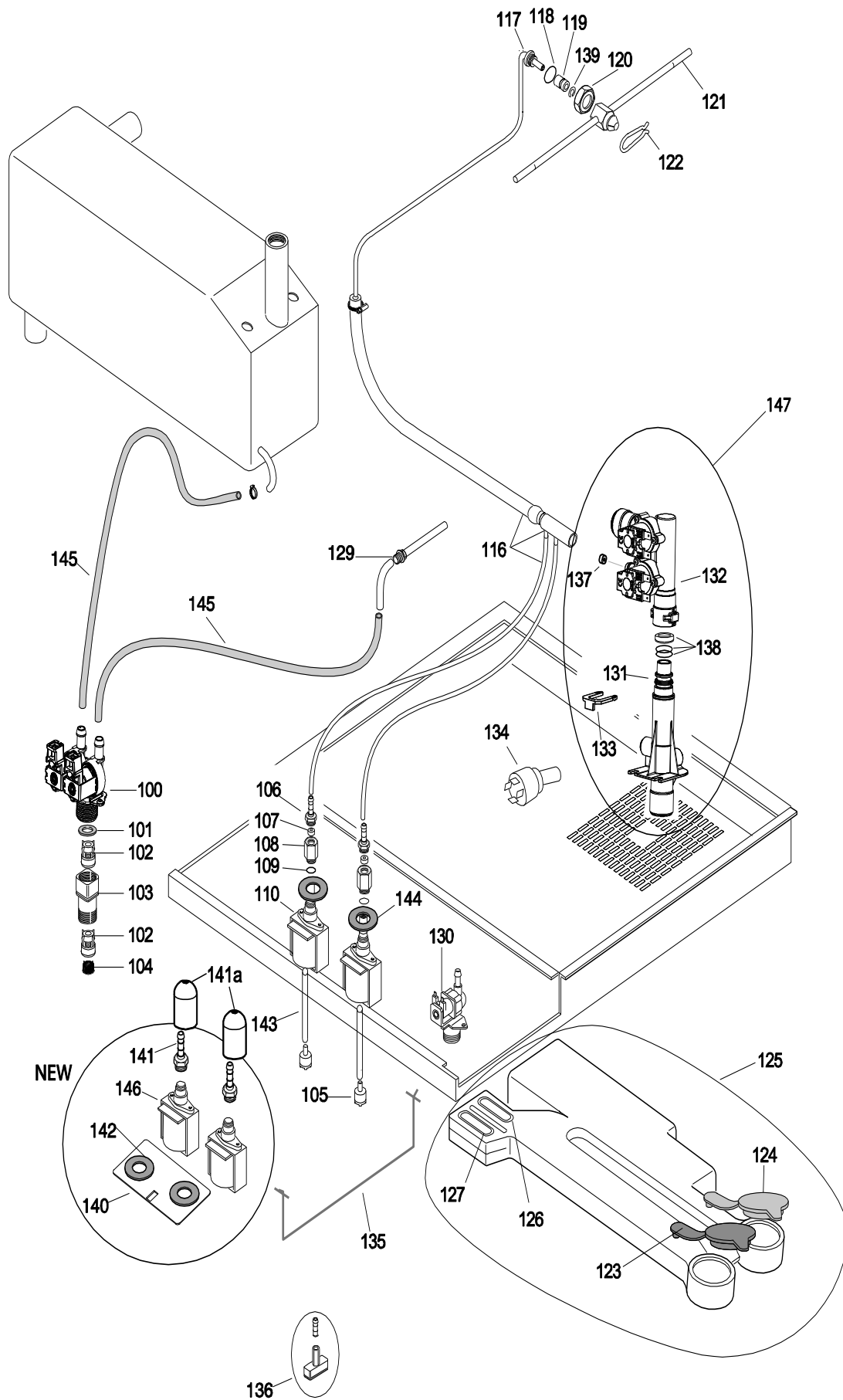
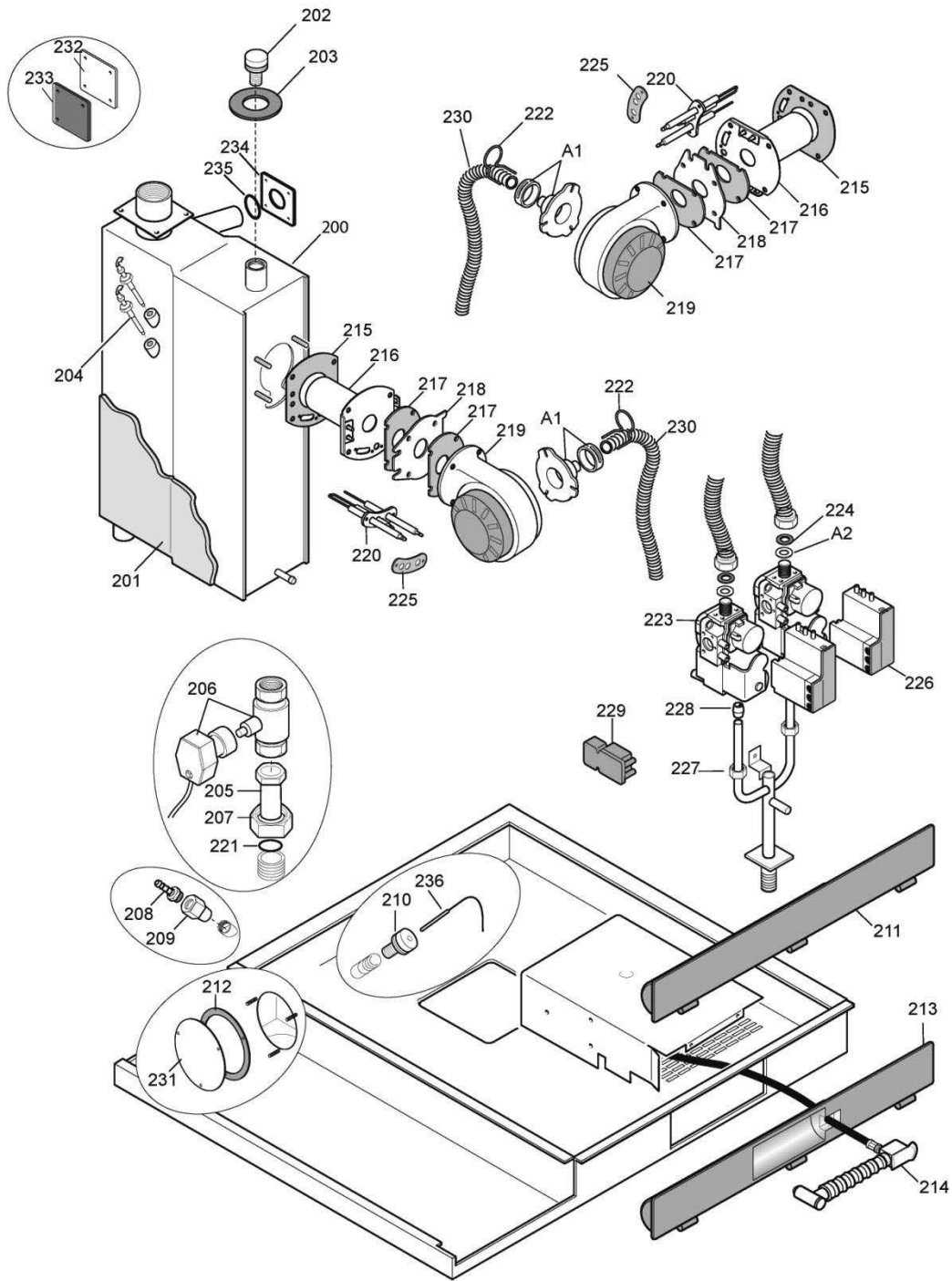

PNC	Model	Ref	Group	Level	Page	Notes
266751	AOS062GKP1	c	AOS	Level K	2...10	120V 60Hz
266761	AOS062GKP1	d	AOS	Level K	2...10	120V 60Hz
267751	AOS062GTP1	a	AOS	Level Touch	2...10	120V 60Hz
269751	AOS062GCP1	b	AOS	Level C	2...10	120V 60Hz

Pag	Index	Indice	Note
2	Oven cabinet and door.	Cella forno e porta	
3	Water system	Impianto idraulico	
4	Boiler	Boiler	
5	Electrical components	Componenti elettrici	
6	Accessories	Accessori	
7...10	Spare parts list	Lista ricambi	

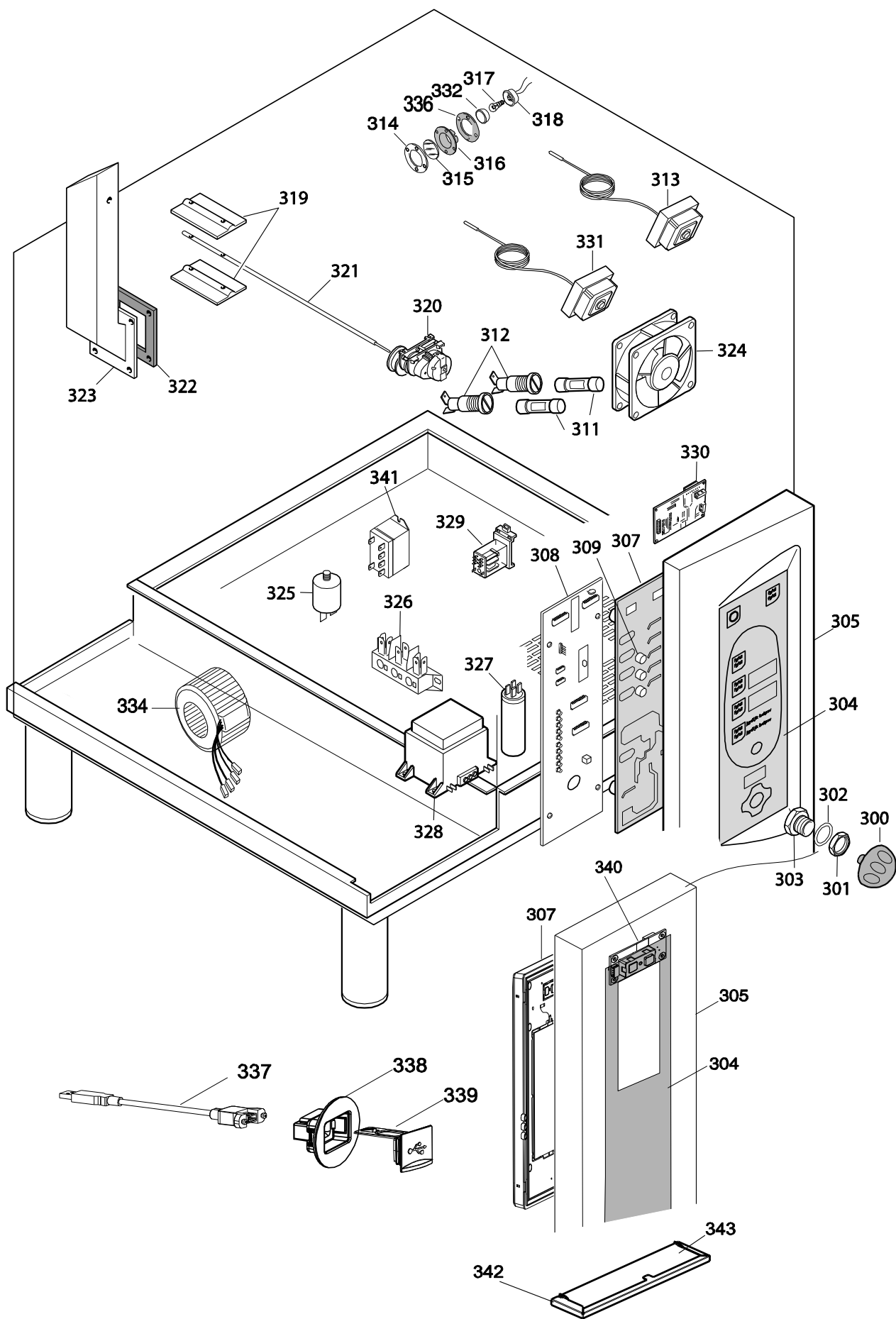
Brand/Marchio: All Factory code: 9PDD

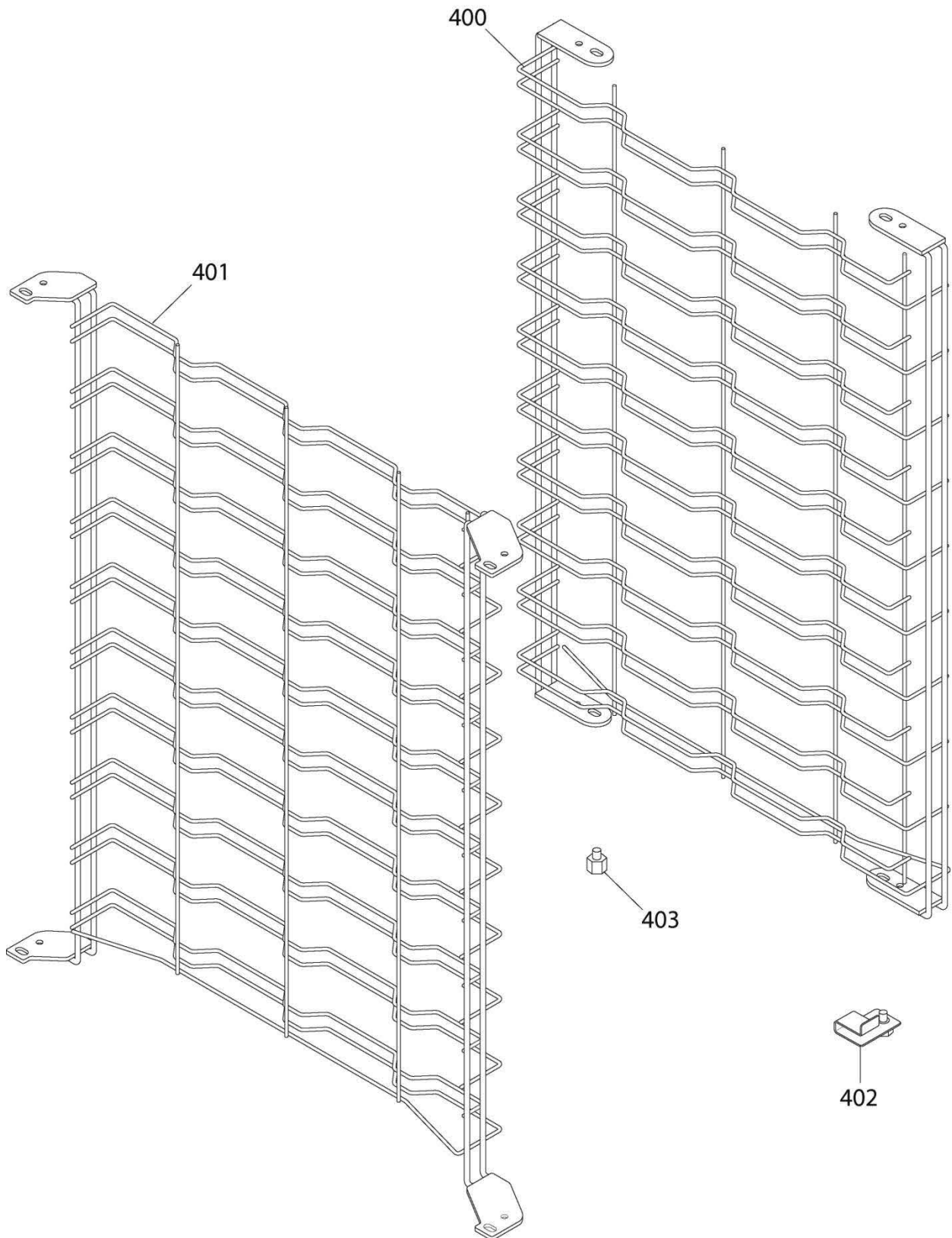






	AERATORE/AERATOR		DIAFRAMMA/DIAPHRAGM		DIAFRAMMA/DIAPHRAGM	
GAS	POS. A1 CELLA/CAVITY	POS. A1 BOILER	POS. A2 CELLA/CAVITY	POS. A2 BOILER	POS. 218 CELLA/CAVITY	POS. 218 BOILER
G20	0C1045 (ROSSA/RED)	0806826600 (VERDE/GREEN)	0C1139 (ø 7)	0C2444 (ø 7,5)	0C4110 (ø 18)	0C4125 (ø 21)
G25	0C1045 (ROSSA/RED)	0806826600 (VERDE/GREEN)	0C1141 (ø 8)	0C1143 (ø 8,5)	0C4110 (ø 18)	0C4125 (ø 21)
G30	0C1045 (ROSSA/RED)	0806826600 (VERDE/GREEN)	0C2442 (ø 5.5)	0C2446 (ø 5,8)	0C4110 (ø 18)	0C4110 (ø 18)





06 GN 2/1 GAS CONVECTION / STEAMER OVEN FORNO CONVEZIONE / VAPORE GAS 06 GN 2/1					
<i>Pos</i>	<i>Factory Code</i>	<i>6DGT Code</i>	<i>Descrizione</i>	<i>Description</i>	<i>Ref./Note</i>
			Pagina 2	Page 2	
1	0530891600	0C6180	COPERCHIO	COVER	
1	0530891800	0C6182	COPERCHIO	COVER	For Level C ,K
2	0530891000	0C6175	FIANCO DX	RIGHT SIDE PANEL	
3	0530892900	0C6192	SCHIENALE	BACK PANEL	
4	0530893500	0C6198	FIANCO SX	LEFT SIDE PANEL	
5	0831850900	0C4892	PIEDINO	FOOT	From 2008/01 up to 2012/18 Up to 2007/52 from 2012/19
5	0831842202	0C4233	PIEDINO	FOOT	
6	0806847803	0C4234	CERNIERA SUPERIORE	UPPER HINGE	
7	0806861600	0C4235	CERNIERA INFERIORE	LOWER HINGE	
8	0574818100	0C5408	VETRO INTERNO	INNER GLASS	
9	0878891801	-	PORTA COMPLETA	COMPLETE DOOR	
-	0518806205	0C6051	MOLLA FERMAVETRO INTERNO	SPRING FOR INTERNAL GLASS	
10	0806859202	0C4478	PROFILO DX-SX	RIGHT AND LEFT TRIM	
11	0574400200	0C6702	VETRO ESTERNO	EXTERNAL GLASS	
12	0543839700	0C4088	GUARNIZIONE FLANGIA SPILLONE	GASKET	
13	0543828001	006976	AMMORTIZZATORE	DAMPER	
14	0806822000	007007	CERNIERA VETRO INTERNO	HINGE, INNER GLASS	
15	0835871801	0C4089	GR.CHIUSURA A SCATTO 'HRS'	CLOSING MECHANISM	
16	0510824200	0C4237	SUPPORTO GR.CHIUSURA	SUPPORTO	
17	0548871501	0C4090	MANIGLIA CHIUSURA A SCATTO	DOOR HANDLE	
18	0516896401	0C4238	DADO FISSAGGIO	NUT FOR DOOR CATCHER	
19	0546822600	0C4091	TAPPO PER MANIGLIA 'HRS'	DOOR COVER HANDLE	
20	0806859900	0C4092	NASELLO SINGOLO SCATTO	DOOR CATCHER	
21	0699603700	049627	MAGNETE	MAGNET	
22	0543841300	0C4094	VASCHETTA RACC.CONDENSE	DOOR DRAIN TRAY	
23	0543843400	0C5407	GUARNIZIONE CELLA-PORTA	GASKET	
-	0147098067	003926	SIGILLANTE (RED)	RED SEALANT	
24	0831848001	0C5436	PARETE DI ASPIRAZIONE	SUCTION WALL	
25	0518807301	0C3423	MOLLA AGGANCIO PARETE	SPRING	
26	0518808700	0C2769	FILTRO FONDO	FILTER	
27	0654600000	049621	INTERRUTTORE MAGNETICO	MAGNETIC SWITCH	
28	0831831000	0C4240	SPILLONE CURVO MULTIPOINT	MEAT PROBE MULTI POINT	for Level Touch, d
28	0831830700	0C4241	SPILL. CURVO SINGOLO PUNTO	MEAT PROBE SINGLE POINT	for Level C,K
29	0527865201	0C1505	SUPPORTO SPILLONE	MEAT PROBE SUPPORT	
30	0856814101	0C4298	BACINELLA SNODABILE	DRAIN TRAY	
31	0806858901	0C4293	TUBO PER CONDENSE 2/1	DRAIN TUBE	
32	0516855300	006991	DADO SONDA CELLA	NUT, CAVITY PROBE	
33	0543842600	0C4872	TAPPO PER SENSORE	STOPPER FOR SENSOR	forl Level Touch
34	0214105101	020997	CONTRODADO PORTAUGELLO	LOCK NUT	
35	0508838701	002700	RONDELLA SONDA CELLA	WASHER	
36	0543816300	002624	GUARN. PER TENUTA SONDA	GASKET	
37	0516809400	002623	RACCORDO SONDA CELLA	CONNECTION, CAVITY PROBE	
38	0518818000	0C8561	MOLLA PER CHIUSURA	SPRING	
41	0806857201	0C4244	COND. SONDA LAMBDA	FLANGE TUBE	for level Touch
42	0543838300	0C4093	GUARNIZIONE BYPASS/LAMBDA	GASKET	
44	0543841300	0C4094	GUARN. VASC. CONDENSE	GASKET	
46	0543832100	0C1194	GUARN. CONDOTTO ARIA-COP.	GASKET, DUCT	
47	0611807500	0C1888	MOTORE	MOTOR	
48	0543816700	002873	O RING	O RING	
49	0516808902	002699	CUSCINETTO	BEARING	
50	0538815400	0C4138	FLANGIA FISS.TENUTA MOTORE	FLANGE	
51	0835400900	0C6464	VENTOLA	FAN	
52	0831849000	0C5413	SCAMBIATORE	HEAT EXCHANGER	
53	0543830700	0C1036	GUARNIZIONE	GASKET	
54	0543833200	0C2208	GUARNIZIONE	GASKET	

06 GN 2/1 GAS CONVECTION / STEAMER OVEN					
FORNO CONVEZIONE / VAPORE GAS 06 GN 2/1					
<i>Pos</i>	<i>Factory Code</i>	<i>6DGT Code</i>	<i>Descrizione</i>	<i>Description</i>	<i>Ref./Note</i>
55	0527898900	0C4857	PIASTRA CHIUSURA	FLANGE	for Level C,K
56					
57	0856828501	0C4976	CONDOTTO UMIDIFICATORE	HUMIDIFIER PIPNG	for Level C ,K
58	0516887101	0C6228	DADO CONDOTTO	NUT HUMIDIFIER	for Level C,K
59	0560854300	0C5388	GUARNIZIONE CAMINO	GASKET	
61	*	0C6465	KIT SONDA LAMBDA	LAMBDA KIT	for level TOUCH
62	0835872002	0C4477	ASSIEME CHIUSURA PORTA	COMPLETE CLOSING MECH.	Up to 6081...
62	0835402M00	*	ASSIEME CHIUSURA PORTA	COMPLETE CLOSING MECH.	From 6091...
63	0830400500	0C6569	MANIGLIA COMPLETA	COMPLETE DOOR HANDLE	for AOS Group
64	0830898902	0C6538	SENSORE TEMPERATURA	TEMP. PROBE	
65	0830899101	0C6539	SENSORE TEMPERATURA	TEMP. PROBE	
66	0543400900	0C7016	GUARNIZIONE PER TUBO	PIPE GASKET	
67	0543816601	002692	TAPPO CARICO DISINCROST.	RECHARGE CAP FOR SCALER	
68	0543843201	0C4965	GOMMINO CHIUSURA ING.DISIN	GASKET	
			Pagina 3	Page 3	
100	0696808400	0C5517	ELETTROVALVOLA	WATER VALVE	for Level Touch
-	0544819400	0C5829	TUBO EPDM BLU	BLU PIPE EPDM	
-	0835872300	0C5385	FASCETTA NORMACLAMP	NORMACLAMP	
101	0543840600	0C4096	GUARNIZIONE FILTRO	GASKET	
102	0549801800	0C2312	VALVOLA NON RITORNO	NOT RE-FLOW VALVE	
103	0516879400	0C2313	RACCORDO ENTRATA ACQUA	PIPE FITTING	for Level Touch
105	0831811400	0C1155	ASSIEME FILTRO	FILTER	
106	0516896101	0C4198	RACCORDO PORTAGOMMA	PIPE FITTING	
107	0544809000	0C1117	VALVOLA NON RITORNO	NOT RE-FLOW VALVE	
108	0516871900	0C1116	RACCORDO PER POMPA	CONNECTION, PUPM	
109	0543832300	0C1935	O-RING	O-RING	
110	0680801301	0C2342	POMPA	PUMP	
116	0805400301	0C6203	PROSP.ASS. COLLETTORE LAVAGGIO	MANIFOLD; ASSY	
117	0806871200	0C5430	ASS. SUPP. GETTO LAVAGGIO	SUPPORT	
118	0543841400	0C4201	GUARNIZIONE IN RAME	GASKET	
119	0516898301	0C4467	CUSCINETTO GETTO ROTANTE	BEARING	
120	0516896000	0C4202	DADO	NUT	
121	0806873900	0C5503	GETTO ROTANTE	ROTATING WASHING JET	
122	0518807100	007026	MOLLA	SPRING	
123	0544808100	0C1151	TAPPO PER SERBATOIO BLU	BLUE CUP	
124	0544808200	0C1152	TAPPO PER SERBATOIO ROSSO	RED CUP	
125	0873857102	0C4426	SERBATOIO DETERGENTE-BRIL	TANK	
126	0544808900	0C1154	PARATIA PER SERBATOIO ROSSO	RED BULKHEAD	
127	0544808400	0C1153	PARATIA PER SERBATOIO BLU	BLUE BULKHEAD	
129	0H22982800	007075	TUBO UMIDIFICATORE	HUMIDIFIER PIPE	for Level Touch
130	0696808200	0C5515	ELETTROVALVOLA	WATER VALVE	for Level C,K
131	0831857200	0C6370	ASS. COLLETTORE LAVAGGIO	CONNECTION,C.S.	
132	0696400100	0C6373	GRUPPO VALVOLE CLEANING	VALVE GROUP C.S.	for Level Touch
132	0696400500	0C6408	GRUPPO VALVOLE CLEANING	VALVE GROUP C.S.	for Level C,K
133	0546825100	0C6222	FORCELLA SICUREZZA	CLIP	
134	0646817200	0C6217	PRESSOSTATO ATTACCO RAPIDO	CONNECTION FOR WASH ARM	
135	0513805000	0C5426	STAFFA SUPPORTO SERBATOIO	SUPPORT PLATE	
136	-	0C6467	KIT GANCIO SERBATOIO	KIT TANK HOOK	
137	-	0C6375	KIT PARZIALIZZATORI DI FLUSSO	FLOW REDUCER KIT	
138	-	061303	KIT O-RING +BUSSOLA	O-RING +BUSH KIT	
139	0219035015	0C6421	ANELLO ELASTICO	ELASTIC RING	
140	0505401R00	0C7924	PIASTRINA FISSAGGIO POMPE	FIXING PLAQUE	
141	0544400C01	0C8348	VITE TTL	TTL SCREW	Up to 5151...
141	0544400C02	0CA348	VITE TTL	TTL SCREW	From 5161...
141a	0546400J00	0C9538	CAPPUCCIO DI PROTEZIONE	PROTECTION CAP	
142	0543400R00	0C7925	PASSACAVO	WIRING BUSH	
143	0546814600	0C2309	TUBO EXT	EXT. PIPE	
144	0246530100	005382	GOMMINO	GASKET	
145	0544819400	0C5829	TUBO EPDM BLU	EPDM PIPE	

06 GN 2/1 GAS CONVECTION / STEAMER OVEN					
FORNO CONVEZIONE / VAPORE GAS 06 GN 2/1					
<i>Pos</i>	<i>Factory Code</i>	<i>6DGT Code</i>	<i>Descrizione</i>	<i>Description</i>	<i>Ref./Note</i>
146	0686400100	0C8347	POMPA DEFOND PHOENIX	PHOENIX DEFOND PUMP	Up to 4441...
146	0686400201	0CA112	POMPA CEME	CEME PUMP	From 4451...
147	0835400L00	0C8683	GRUPPO ENTRATA ACQUA	GROUP WATER INLET	
147	0835400M00	0C8684	GRUPPO ENTRATA ACQUA	GROUP WATER INLET	For level C,K
-	0831854100	0C5562	TUBO ACQUA WRAS	WATER INLET PIPE WRAS	
-	0835870400	0C3464	RIDUTTORE DI PRESSIONE	WATER PRESSURE REDUCER	
			Pagina 4	Page 4	
200	0878401B00	0C9667	KIT ASSIEME BOILER	BOILER ASS.Y KIT	for Level Touch
201	0560852803	0C4097	KIT ISOLAMENTO	KIT ISOLATION	for Level Touch
202	0543816601	002692	TAPPO	STOPPER	for Level Touch
203	0543817500	002634	GUARNIZIONE	GASKET	for Level Touch
204	0830890500	007033	SONDA DI LIVELLO	LEVEL PROBE	for Level Touch
205	0516868600	0C1063	RACCORDO	CONNECTION	for Level Touch
206	0696808500	0C5518	VALVOLA DI SCARICO 240V	DRAIN VALVE 240V	for Level Touch
207	0516868500	0C1062	MANICOTTO 1"-3/4"	CONNECTION 1"-3/4"	for Level Touch
208	0510828000	0C5564	RESCA D12 FILETT 1/4' GAS	PIPE CONNECTION	
209	0511830600	0C5406	UGELLO 'ELPIS'1/4'FD3.5-3/8'M	NOZZLE	for Level Touch
210	0543842600	0C4872	TAPPO PER SENSORE	STOPPER FOR SENSOR	for Level Touch
211	0546821501	0C4966	PANNELLO FRONTALE INFERIORE	PANEL	for Level C,K
212	0543400000	0C7033	GUARNIZIONE PORTELLO	GASKET	for level TOUCH
213	0546818503	0C4533	PANNELLO FRONTALE INFERIORE	PANEL	for Level Touch
214	0873881200	0C4248	DOCCETTA	SHOWER	for Level Touch
215	0543838200	0C4101	GUARNIZIONE BRUCIATORE LWZ	GASKET	
216	0831827502	0C4289	BRUCIATORE	BURNER	
217	0543838100	0C4102	GUARNIZIONE PER VENTILATORE	FAN GASKET	
218	0538819000	0C4110	FLANGIA VENTILATORE	FAN FLANGE	
219	0611808300	0C4103	VENTILATORE	FAN	
220	0831846502	0C4462	CANDELINA DI ACC. E RIL.	IGNITION ROD	
221	0543816800	002874	ANELLO DI TENUTA OR	O-RING	for Level Touch
222	0518807600	0C1044	MOLLA	SPRING	for Level Touch
223	0835867200	0C1879	VALVOLA GAS	GAS VALVE	
224	0543840600	0C4096	GUARNIZIONE	GASKET	
225	0543841100	0C4104	GUARNIZIONE CANDELINA	ROD GASKET	
226	0624810800	0C4260	CENTRALINA	IGNITION BOARD	
227	0516847000	0C1058	DADO	NUT	
228	0515801715	052671	BICONO X TUBO DA 16	SEAL	
229	0624810600	0C4105	ACCENDITORE BRAHMA	IGNITION BOARD	
230	0517874801	0C1052	CONDUTTURA L= 508MM	PIPE L= 508MM	for Level Touch
230	0517877001	0C1084	CONDUTTURA L= 330MM	PIPE L= 330MM	for Level Touch
231	0J89061403	0C3443	PORTELLO ISPEZIONE	INSPECTION COVER	for Level Touch
232	0527898700	0C4856	FLANGIA CHIUS. FORO BOILER	FLANGE	for Level C,K
233	0543842800	0C4963	GUARN. CHIUSURA FORO BOILER	GASKET	for Level C,K
236	0830899100	0C0326	SONDA BYPASS (L 1200)	BYPASS PROBE (L 1200)	for Level TOUCH
			Pagina 5	Page 5	
300	0806874001	0C5600	MANOPOLA	HANDLE	
301	0214114900	051263	CONTRODADO	LOCK NUT	
302	0508836400	002727	RONDELLA	DISK	
303	0516807301	002662	BOCCOLA	BUSH	
304	0548400402	0C6548	MEMBRANA LIV.TOUCH	LAYER LEV. TOUCH	for Level TOUCH
304	0548400H01	0C6555	MEMBRANA LIV.C	LAYER LEV. C	for Level C
304	0548401500	0C7959	MEMBRANA LIV.C (1/2 VELOCITA)	LAYER LEV. C (1/2 SPEED)	for Level C (Start s/n 120.....)
304	0548401F00	0C8705	MEMBRANA LIV. TOUCH "K"	LAYER TOUCH "K" AOS MODELS	For Level Touch "K" AOS Group
305	0875401701	0C6706	CRUSCOTTO LIV. TOUCH + MEMBRANA	CONT.PANEL LEV. TOUCH + LAYER	for Level TOUCH
305	0870400H01	0C6707	CRUSCOTTO LIV. C (NO MEMBR.)	CONT.PANEL LEV. C (NO LAYER)	for Level C AOS Ver.

06 GN 2/1 GAS CONVECTION / STEAMER OVEN FORNO CONVEZIONE / VAPORE GAS 06 GN 2/1					
Pos	Factory Code	6DGT Code	Descrizione	Description	Ref./Note
305	0875401V00	0C8712	CRUSCOTTO LIV.TOUCH "K" CON MEMBRANA	CONTROL PANEL TOUCH "K" WITH LAYER	For Level Touch "K" AOS Group
-	0831851200	0C4936	FILTRO ARIA CRUSCOTTO	AIR FILTER CONTROL PANEL	
307	675400A00	0C6571	SCHEDA USER INTERFACE LIV.TOUCH	USER INTERF. BOARD, LEV. TOUCH	for Level TOUCH,K up to 2441...
307	675400P01	0C8805	SCHEDA USER INTERFACE LIV.TOUCH	USER INTERF. BOARD, LEV. TOUCH	for Level TOUCH,K from 2451...
307	675400P03	0CA070	SCHEDA USER INTERFACE LIV.TOUCH	USER INTERF. BOARD, LEV. TOUCH	up to 4481...
307	0675854600	0C4891	SCHEDA USER INTERFACE LIV. C	USER INTERF. BOARD, LEV. C	for Level TOUCH,K from 4491...
307	0675854602	0C7350	SCHEDA USER INTER LIV. C (1/2 VELOCITA)	USER INTERF. BOARD, LEV. C (1/2 SPEED)	for Level C
308	0675400802	0C6570	SCHEDA POWER TOUCH	MAIN POWER TOUCH	for Level C (Start s/n 120...)
308	0675854501	0C4890	SCHEDA POWER	MAIN POWER	for Level TOUCH,K
-	0546814001	0C3750	DISTANZIALE ARCHETTO NYLON	SPACER NYLON	for Level C
309	0546824600	0C5833	PROLUNGA PULSANTE	PROLONG	
311	0652804600	0C2954	FUSIBILE F 20A 10X38	FUSE F 20A 10X38	
311	0652805300	0C2237	FUSIBILE 6.3A FAST 5X20	FUSE 6.3A FAST 5X20	
311	0652803200	0C2953	FUSIBILE OMEGA T 2.5A	FUSE OMEGA T 2.5A	
311	0652803300	0C1480	FUSIBILE RAPIDO 6.30 A	FUSE FAST 6.3 A	
312	0652802100	0F0031	PORTAFUSIBILE	FUSE HOLDER	
313	0646810802	006314	LIMITATORE, CELLA	LIMITER, CAVITY	
314	0508840801	002628	FLANGIA	FLANGE	
315	0574804900	002627	VETRO	GLASS	
316	0543842000	002626	GUARNIZIONE	GASKET	
317	0660808300	0C4396	LAMPADA ALOGENA	HALOGEN LAMP	Up to 4361...
317	0660400100	0C9877	LAMPADA ALOGENA	HALOGEN LAMP	From 4371...
318	0660806401	007055	PORTALAMPADA	LAMP HOLDER	
319	0538804000	0C1169	FARFALLA	CLOSER	
320	0680802400	0C5502	MOTORIDUTTORE	MOTOREDUCER	
321	0542800500	0C4775	INDUTTANZA	INDUCTANCE	
322	0543832200	0C1168	GUARNIZIONE	GASKET	
323	0831848101	-	CONDOTTO ARIA	DUCT, AIR	
324	0624811000	0C4106	VENTILATORE	FAN	
325					
326	0639804900	046357	MORSETTIERA	TERMINAL BOARD	
327	0694804601	0C4812	CONDENSATORE 60 Mf	CAPACITOR 60 MF	
327	0694802101	0C4813	CONDENSATORE 80 Mf	CAPACITOR 80 MF	
329	0H26195700	005033	RELE	RELE	
329	0648723800	088086	RELE	RELE	
330	0624807002	007047	ALIMENTATORE SWITCHING	SWITCHING FEEDER	for Level TOUCH
331	0646810902	006433	LIMITATORE, BOILER	LIMITER, BOILER	for Level TOUCH
332	0509803900	0C4459	RIFLETTORE	REFLECTOR	
333	0652801900	004010	PORTAFUSIBILE	FUSE HOLDER	
334	0624400002	0C6945	TRASFORMATORE	TRANSFORMER	
336	0543843500	0C5451	GUARNIZIONE	GASKET	
337	0638400Y00	0C6566	PROLUNGA USB	USB CABLE	
338	0546400200	0C6547	VASCHETTA USB	USB PLUG	for TOUCH level
339	0541400A00	0C6546	COPERTURA USB	USB COVER	for TOUCH level
340	0675858601	0C8033	TASTO ON-OFF (INTER. PRINCIPALE)	ON-OFF (MAIN SWITCH)	for TOUCH level
341	0648722900	088267	RELE' SICUREZZA	SECURITY RELE	
342	0831851202	0C4936	ASSIEME FILTRO CRUSCOTTO	ASS. FILTER CONTROL PANEL	
343	0549400K00	0C9992	FILTRO CRUSCOTTO	FILTER CONTROL PANEL	
			Pagina 6	Page 6	
400	0831850601	0C5827	PORTATEGLIE DX P60	TRAY SUPPORT DX P60	
401	0831850701	0C5828	PORTATEGLIE SX P60	TRAY SUPPORT SX P60	
402	0806872800	0C4961	SUPPORTO CON S.G.	SUPPORT S.G.	
403	0511828100	0C5620	SUPPORTO	SUPPORT	
			SONDE DI TEMPERATURA	TEMPERATURE PROBES	
	0830898902	0C6538	SONDA CELLA (L 500)	CAVITY PROBE (L 400)	

**06 GN 2/1 GAS CONVECTION / STEAMER OVEN
FORNO CONVEZIONE / VAPORE GAS 06 GN 2/1**

<i>Pos</i>	<i>Factory Code</i>	<i>6DGT Code</i>	<i>Descrizione</i>	<i>Description</i>	<i>Ref./Note</i>
	0830899000 0830899100	0C0325 0C0326	SONDA BOILER (L 800) SONDA BYPASS (L 1200)	BOILER PROBE (L 800) BYPASS PROBE (L 1200)	for Level TOUCH for Level TOUCH