



## **Spare part list**

**Combi steamer Joker<sup>MT</sup> 2/3**

**Combi steamer Joker<sup>MT</sup> 1/1**

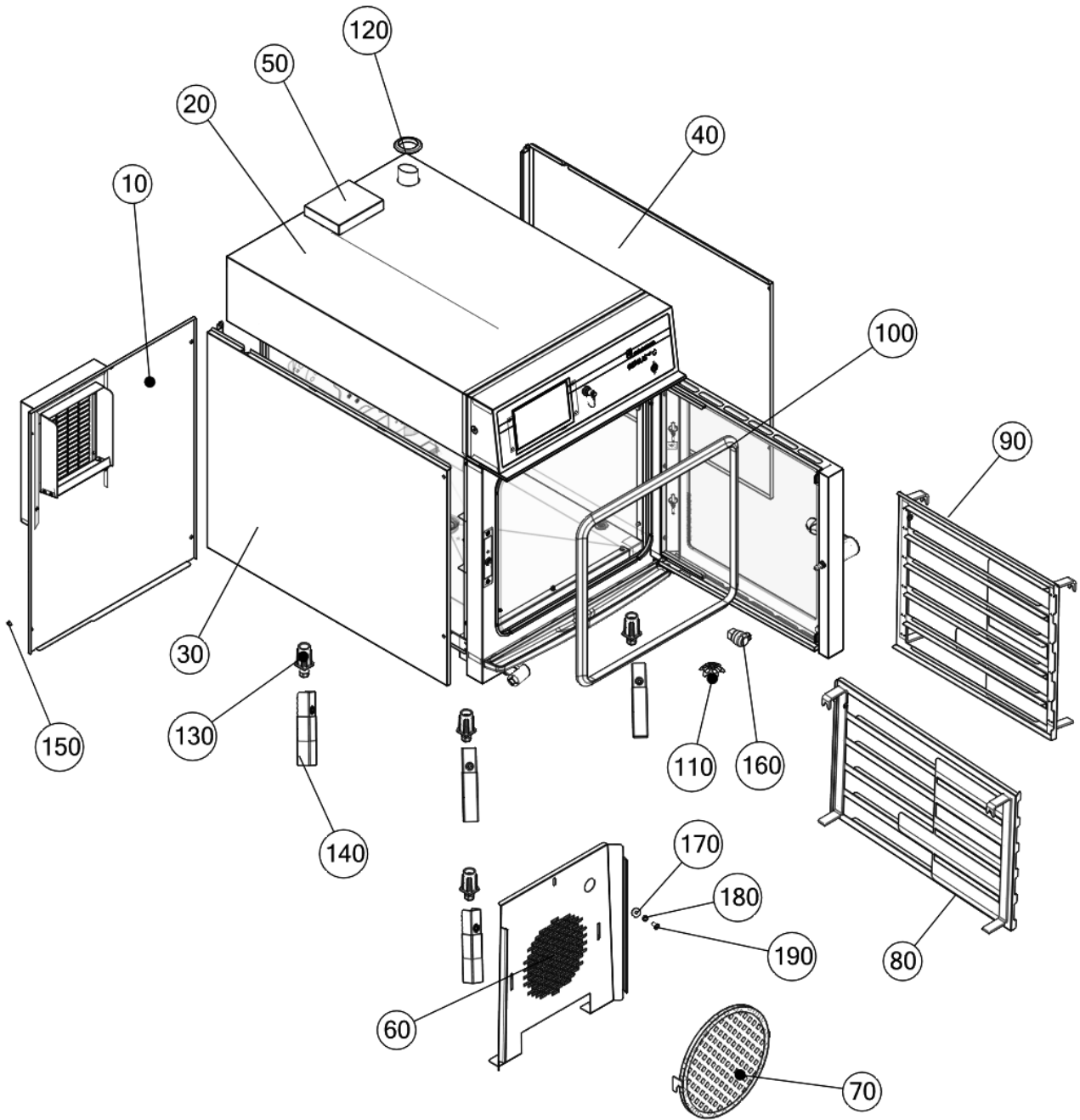
**Combi steamer GMTC 1/1**

**Series/15**



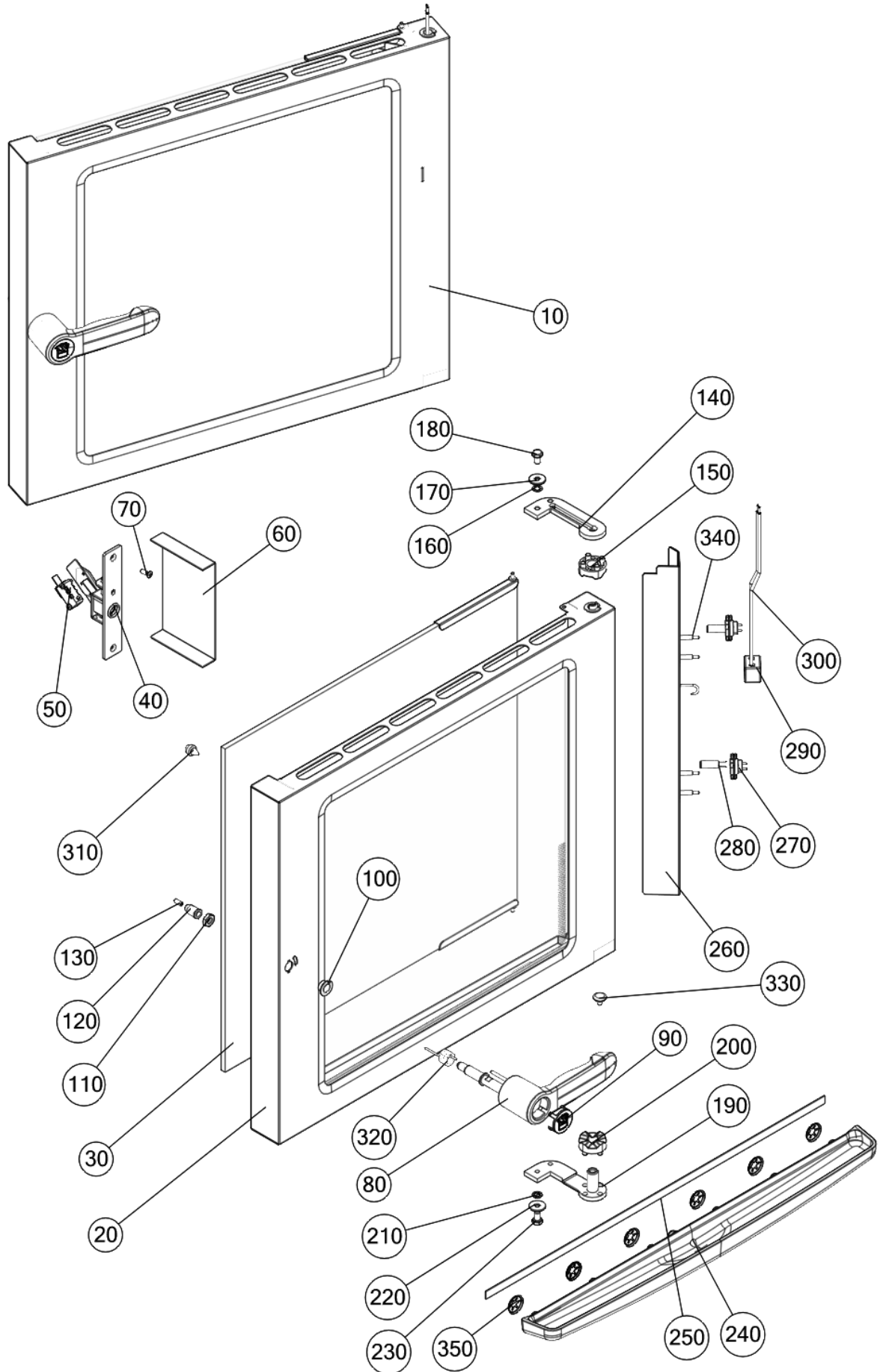
**Index of contents JokerMT 2/3 JokerMT 1/1 GMTC 1/1 - series/15**

|                                     | Page |
|-------------------------------------|------|
| Mounting parts                      | 4    |
| Door, door latch                    | 6    |
| Control unit                        | 8    |
| Motor, heating                      | 10   |
| E-Base                              | 12   |
| Exhaust supply air, e-parts general | 14   |
| Valves and hand shower              | 16   |
| Autoclean                           | 18   |
| Condensation hood KH 1              | 20   |
| Water tank option                   | 22   |
| External sensors                    | 24   |
| Harnesses                           | 26   |



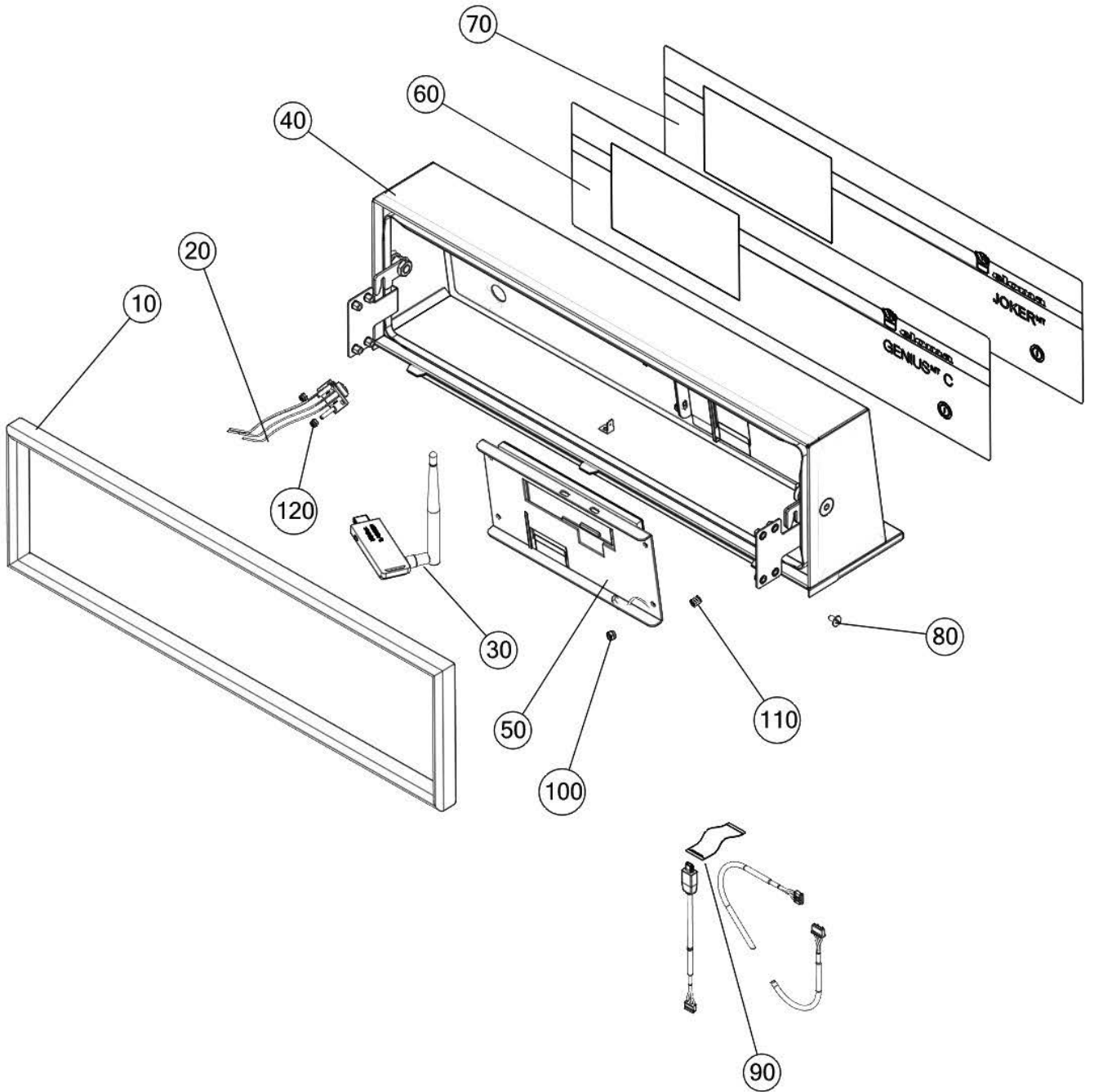
**Mounting parts Joker MT 2/3 Joker MT 1/1 GMTC 1/1 - series/15**

|     |           |                                              | Joker <sup>MT</sup> 2/3 | Joker <sup>MT</sup> 1/1 | GMTC 1/1 |
|-----|-----------|----------------------------------------------|-------------------------|-------------------------|----------|
| 10  | EL2001686 | BACK WALL COMPL.GMTC                         | x                       | x                       | x        |
| 20  | EL2001939 | E-ROOM COVER JOKER MT 2/3                    | x                       |                         |          |
|     | EL2001904 | E-ROOM COVER JOKER MT 11                     |                         | x                       | x        |
| 30  | EL2001941 | SIDE WALL B COMPL.JOKER MT 2/3               | x                       |                         |          |
|     | EL2001935 | SIDE WALL B COMPL.JOKER MT 11                |                         | x                       | x        |
| 40  | EL2001940 | SIDE WALL A COMPL.JOKER MT 2/3               | x                       |                         |          |
|     | EL2001934 | SIDE WALL A COMPL.JOKER MT 11                |                         | x                       | x        |
| 50  | EL2001809 | CAP COMPL. COVER GMTC                        | x                       | x                       | x        |
| 60  | EL2001613 | AIR BAFFLE GMTC-23                           | x                       |                         |          |
|     | EL2001573 | AIR BAFFLE GMTC-33                           |                         | x                       | x        |
| 70  | EL0776041 | FAT FILTER 623 03                            | x                       | x                       | x        |
| 80  | EL0501957 | HANG-IN-RACK 07 623                          | x                       |                         |          |
|     | EL2002039 | HANG-IN-RACK LEFT CPL. JOKER MT 11 STANDARD  |                         | x                       | x        |
| 90  | EL0501957 | HANG-IN-RACK 07 623                          | x                       |                         |          |
|     | EL2002042 | HANG-IN-RACK RIGHT CPL. JOKER MT 11 STANDARD |                         | x                       | x        |
| 100 | EL0693219 | DOOR SEALING D2K 623                         | x                       | x                       | x        |
| 110 | EL0781703 | FILTER CAP 623                               | x                       | x                       | x        |
| 120 | EL0584096 | GASKET DRAIN                                 | x                       | x                       | x        |
| 130 | EL2001784 | FOOT DRILLED GMTC                            | x                       | x                       | x        |
| 140 | EL2001975 | BASE EXTENSION COMPL. GMTC                   |                         |                         | x        |
| 150 | EL0001015 | LENS HEAD SCREW DIN 7985 M4X8 V2A            | x                       | x                       | x        |
| 160 | EL2001520 | USB SOCKET WITH CAP                          | x                       | x                       | x        |
| 170 | EL0000582 | WASHER DIN 9021 6,4 V2A                      | x                       | x                       | x        |
| 180 | EL0892912 | LOCK WASHER DIN 6797 J6,4 V2A                | x                       | x                       | x        |
| 190 | EL0251836 | HEXAGON HEAD SCREW DIN 933 M6X10 V2A         | x                       | x                       | x        |



**Door, door latch Joker MT 2/3 Joker MT 1/1 GMTC 1/1 - series/15**

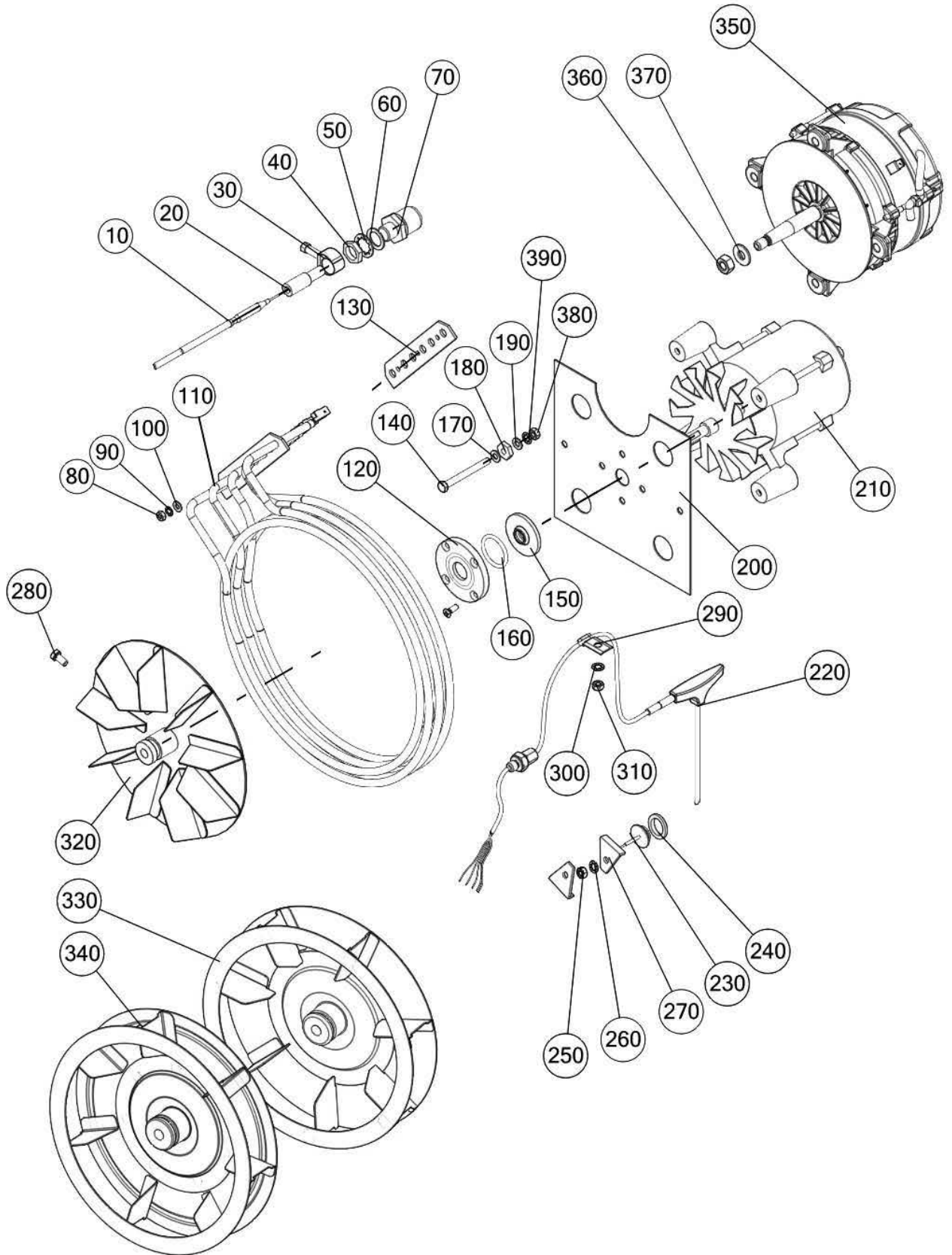
|     |               |                                           | Joker <sup>MT</sup> 2/3 | Joker <sup>MT</sup> 1/1 | GMTC 1/1 |
|-----|---------------|-------------------------------------------|-------------------------|-------------------------|----------|
| 10  | EL2000511     | DOOR ASSEMB. JOKER MT RA                  | X                       | X                       | X        |
|     | EL2001786     | DOOR ASSEMB. JOKER MT LA                  | X                       | X                       | X        |
| 20  | EL2000509     | DOOR COMPL. GMTC RA                       | X                       | X                       | X        |
|     | EL2001594     | DOOR COMPL. GMTC LA                       | X                       | X                       | X        |
| 30  | EL0501938     | INTERNAL DOOR CPL. 611 07                 | X                       | X                       | X        |
| 40  | EL0980080     | LOCKING UNIT D2K 623 MOUNTED              | X                       | X                       | X        |
|     | <i>Option</i> |                                           |                         |                         |          |
|     | EL2001973     | DOOR LATCH JOKER MT TWO-STAGE             | X                       | X                       | X        |
| 50  | EL0510228     | MICROSWITCH STRIPPED                      | X                       | X                       | X        |
| 60  | EL0782408     | COVER SHEET                               | X                       | X                       | X        |
| 70  | EL0039411     | ROUNDED COUNTERSUNK HEAD SCREW DIN 966 M4 | X                       | X                       | X        |
| 80  | EL2000802     | LEVER COMPL.RA JOKER 013                  | X                       | X                       | X        |
| 80  | EL2000803     | LEVER COMPL.LA JOKER 013                  | X                       | X                       | X        |
| 90  | EL2000097     | PLUG 6451.0065-JOKER                      | X                       | X                       | X        |
| 100 | EL0782432     | COLLAR BUSH                               | X                       | X                       | X        |
| 110 | EL0012157     | HEXAGON NUT LOW DIN 439 M8 V2A            | X                       | X                       | X        |
| 120 | EL0588458     | BOLT LOCKING D2K 623                      | X                       | X                       | X        |
|     | <i>Option</i> |                                           |                         |                         |          |
|     | EL2001972     | LOCKING BOLT JOKER MT TWO-STAGE           | X                       | X                       | X        |
| 130 | EL0588512     | THREADED PIN DIN 914 M4X10                | X                       | X                       | X        |
| 140 | EL2001396     | HINGE WEB TOP COMPL. RA GMTC              | X                       | X                       | X        |
|     | EL2001571     | HINGE WEB TOP COMPL. LA GMTC              | X                       | X                       | X        |
| 150 | EL0875023     | REST DISK                                 | X                       | X                       | X        |
| 160 | EL0892912     | LOCK WASHER DIN 6797 J6,4 V2A             | X                       | X                       | X        |
| 170 | EL0000582     | WASHER DIN 9021 6,4 V2A                   | X                       | X                       | X        |
| 180 | EL0251836     | HEXAGON HEAD SCREW DIN 933 M6X10 V2A      | X                       | X                       | X        |
| 190 | EL0501944     | HINGE WEB BOTTOM RA 07 623                | X                       | X                       | X        |
|     | EL0501983     | HINGE WEB BOTTOM LA 07 623                | X                       | X                       | X        |
| 200 | EL0875023     | REST DISK                                 | X                       | X                       | X        |
| 210 | EL0892912     | LOCK WASHER DIN 6797 J6,4 V2A             | X                       | X                       | X        |
| 220 | EL0000582     | WASHER DIN 9021 6,4 V2A                   | X                       | X                       | X        |
| 230 | EL0251836     | HEXAGON HEAD SCREW DIN 933 M6X10 V2A      | X                       | X                       | X        |
| 240 | EL0781207     | DRAIN TRENCH BLACK D2K 623                | X                       | X                       | X        |
| 250 | EL2001902     | ADHESIVE BAND SELF-ADHESIVE NBR 6X2       | X                       | X                       | X        |
| 260 | EL2000506     | SIDE RAIL LIGHTING T. JOKER RA GMT        | X                       | X                       | X        |
|     | EL2001791     | SIDE RAIL LIGHTING T JOKER 013 LA         | X                       | X                       | X        |
| 270 | EL0577294     | HALOGEN LAMP HOLDER                       | X                       | X                       | X        |
| 280 | EL0570478     | HALOGEN LAMP 12V 20W                      | X                       | X                       | X        |
| 290 | EL0504208     | CLAMP 15 A 2-POLES                        | X                       | X                       | X        |
| 300 | EL2000913     | LIGHTING CABLE JOKER 013                  | X                       | X                       | X        |
| 310 | EL0886726     | RUBBER                                    | X                       | X                       | X        |
| 320 | EL0783390     | TORSION SPRING RA 623 03                  | X                       | X                       | X        |
| 330 | EL0504756     | PUFFER                                    | X                       | X                       | X        |
| 340 | EL2000740     | COLLAR STUD D 4 X 32 - M3                 | X                       | X                       | X        |
| 350 | EL0781649     | CONNECTION PLATE                          | X                       | X                       | X        |





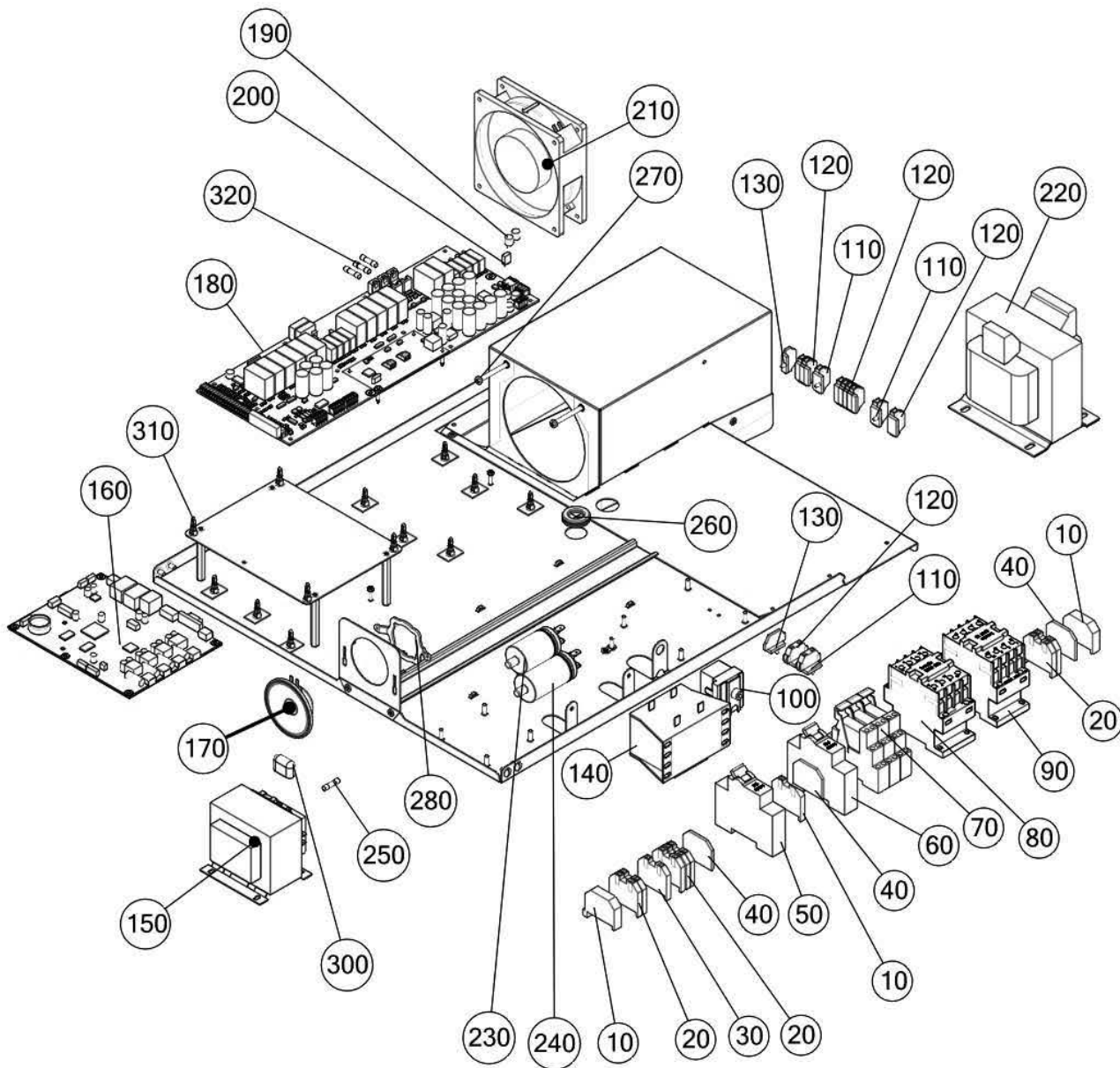
**Control unit Joker MT 2/3 Joker MT 1/1 GMTC 1/1 - series/15**

|     |                 |                                                                                                                                                                             | Joker <sup>MT</sup> 2/3 | Joker <sup>MT</sup> 1/1 | GMTC 1/1 |
|-----|-----------------|-----------------------------------------------------------------------------------------------------------------------------------------------------------------------------|-------------------------|-------------------------|----------|
| 10  | EL2000321       | SEALING FRAME CONTROL PANEL GMTC                                                                                                                                            | x                       | x                       | x        |
| 20  | EL2000698       | BUTTON ON-OFF 013                                                                                                                                                           | x                       | x                       | x        |
|     | <i>Optional</i> |                                                                                                                                                                             |                         |                         |          |
| 30  | EL2002158-ET    | <b>W-LAN KIT GMT/JMT</b><br>TAPE DOUBLE-SIDED TESA 62508<br>CABLE TIE 3.6 X 141 PA6.6 NATURE<br>INSTALLATION MANUAL W-LAN-KIT JMT/GMT                                       | x                       | x                       | x        |
| 40  | EL2001424       | CONTROL PANEL COMPL.GENIUS MT COMPACT                                                                                                                                       | x                       | x                       | x        |
| 50  | EL2002031       | SCREEN W.HOLDER JOKER MT(ET)                                                                                                                                                | x                       | x                       | x        |
| 60  | EL2001893       | FILM KEYPAD GENIUS MTC                                                                                                                                                      |                         |                         | x        |
| 70  | EL2001629       | FILM KEYPAD JOKER MT ELOMA                                                                                                                                                  | x                       | x                       |          |
|     | EL2002301       | FILM KEYPAD JOKER MT METOS                                                                                                                                                  | x                       | x                       |          |
|     | EL2002302       | FILM KEYPAD JOKER MT ROSINOX                                                                                                                                                | x                       | x                       |          |
|     | EL2002303       | FILM KEYPAD JOKER MT ELOMA BLACK                                                                                                                                            | x                       | x                       |          |
|     | EL2002304       | FILM KEYPAD JOKER MT ELOMA SILVER                                                                                                                                           | x                       | x                       |          |
|     | EL2002234       | FILM KEYPAD JOKER MT KITAZAWA                                                                                                                                               | x                       | x                       |          |
| 80  | EL0525316       | Cap screw M4x8 V2A                                                                                                                                                          |                         |                         |          |
| 90  | EL2002221       | <b>CABLE SET CONTROL PANEL JOKER MT</b><br>CABLE FLAT L=300MM, 40 PIN<br>CABLE BACKLIGHT EXTENSION 300 MM<br>CABLE TOUCH EXTENSION 300MM<br>CABLE TOUCH I.O.-BOARD JOKER MT | x                       | x                       | x        |
| 100 | EL0749699       | HEXAGONAL NUT M4 SELF-LOCKING                                                                                                                                               | x                       | x                       | x        |
| 110 | EL2002157       | SPRING DI 5.5 D0.8 LO 10.5 DIN2098                                                                                                                                          | x                       | x                       | x        |
| 120 | EL0749842       | LOCK NUT M3                                                                                                                                                                 | x                       | x                       | x        |



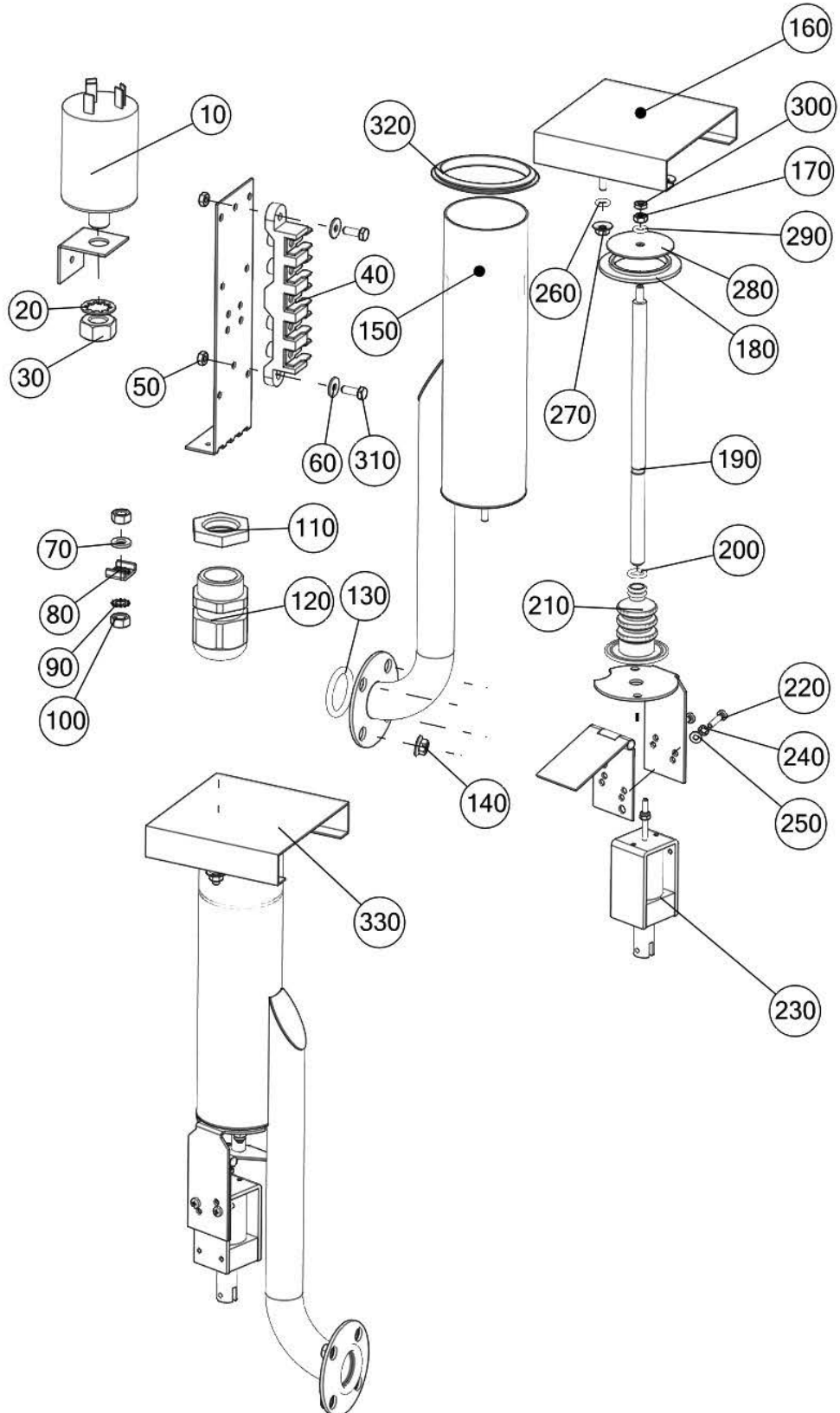
**Motor, Heating JokerMT 2/3 JokerMT 1/1 GMTC 1/1 Serie/15**

|     |           |                                        | Joker <sup>MT</sup> 2/3 | Joker <sup>MT</sup> 1/1 | GMTC 1/1 |
|-----|-----------|----------------------------------------|-------------------------|-------------------------|----------|
| 10  | EL0570621 | NICRNI SENSOR                          | x                       | x                       | x        |
| 20  | EL0336211 | INSERT TEFLON                          | x                       | x                       | x        |
| 30  | EL0277665 | HOSE CLIP 9-14                         | x                       | x                       | x        |
| 40  | EL0035637 | HEXAGON NUT R 1/4 SW 19X6              | x                       | x                       | x        |
| 50  | EL0758574 | LOCK WASHER DIN 6797 A12,5 V2A         | x                       | x                       | x        |
| 60  | EL0582247 | GASKET RING 13X19X1 DIN 7603 CU        | x                       | x                       | x        |
| 70  | EL0336394 | PROTECTION METAL SCREEN NICRNI         | x                       | x                       | x        |
| 80  | EL0003905 | HEXAGON NUT DIN 934 M4 V2A             | x                       | x                       | x        |
| 90  | EL0050849 | LOCK WASHER DIN 6797 J4,3 V2A          | x                       | x                       | x        |
| 100 | EL0001007 | WASHER DIN 125 A4,3 V2A                | x                       | x                       | x        |
| 110 | EL0693383 | HEATING ELEMENT 3X1900W                | x                       |                         |          |
|     | EL2001414 | HEATING ELEMENT GMTC 7500W -11         |                         | x                       |          |
|     | EL2001636 | HEATING ELEMENT GMTC 11 8170 W UL      |                         |                         | x        |
| 120 | EL0693324 | SHAFT SEALING SUPPORT EB 30 D2K 623    | x                       | x                       | x        |
| 130 | EL0693340 | RADIATOR SEAL ED 6-23                  | x                       |                         |          |
|     | EL2001630 | SEAL GMTC 11 RADIATOR                  |                         | x                       | x        |
| 140 | EL0693359 | HEXAGON HEAD SCREW DIN 933 M5X50 V2A   | x                       |                         |          |
|     | EL0527165 | HEXAGON HEAD SCREW DIN 933 M6X50 V2A   |                         | x                       | x        |
| 150 | EL0897914 | SHAFT SEALING RING                     | x                       | x                       | x        |
| 160 | EL0505056 | O-RING 26,64X2,62                      | x                       | x                       | x        |
| 170 | EL0693367 | WASHER DIN 125 A5,3 CU                 | x                       |                         |          |
|     | EL0251232 | GASKET D 6X10X1,5 DIN 7603 CU          |                         | x                       | x        |
| 180 | EL0585874 | MOTOR SPACER EB 30 D2K 623             | x                       | x                       | x        |
|     | EL2002342 | MOTOR DISTANCE BUSHING GMTC M6         |                         | x                       | x        |
| 190 | EL0003980 | WASHER DIN 125 A5,3 V2A                | x                       | x                       | x        |
|     | EL0004014 | WASHER DIN 125 A6,4 V2A                |                         |                         |          |
| 200 | EL0877948 | MOTOR ISOLATING SHEET EB 30 EB 30 XL   | x                       | x                       | x        |
| 210 | EL0693286 | MOTOR D2K L5 623 230V 30W              | x                       |                         |          |
| 220 | EL0747017 | CORE TEMPERATURE SENSOR 06             | x                       | x                       | x        |
| 230 | EL0504602 | SAFETY TEMPERATURE LIMITER             | x                       | x                       | x        |
| 240 | EL0373079 | CENTRIC BUSH                           | x                       | x                       | x        |
| 250 | EL0252867 | HEXAGON NUT DIN 934 M5 V2A             | x                       | x                       | x        |
| 260 | EL0304816 | LOCK WASHER DIN 6797 J5,3 V2A          | x                       | x                       | x        |
| 270 | EL0287695 | SUPPORT SAFETY TEMPERATURE LIMITER     | x                       | x                       | x        |
| 280 | EL0003743 | HEXAGON HEAD SCREW DIN 933 M5X10 V2A   | x                       | x                       | x        |
| 290 | EL0787825 | CABLE CLAMP CORE TEMPERATURE SENSOR    | x                       | x                       | x        |
| 300 | EL0304816 | LOCK WASHER DIN 6797 J5,3 V2A          | x                       | x                       | x        |
| 310 | EL0252867 | HEXAGON NUT DIN 934 M5 V2A             | x                       | x                       | x        |
| 320 | EL0693375 | FAN WHEEL EB 30 EB 30 XL 623           | x                       |                         |          |
| 330 | EL2001409 | FAN WHEEL GMTC 200 X 43                |                         | x                       |          |
| 340 | EL2001886 | FAN WHEEL GMTC 200 X 43 60 HZ GMTC-33  |                         |                         | x        |
| 350 | EL2001946 | MOTOR MOM COMPACT                      |                         | x                       | x        |
| 360 | EL0254177 | HEXAGON NUT DIN 934 M8 V2A             |                         | x                       | x        |
| 370 | EL0593931 | WASHER DU-B DA=14 DI=8 T=1             |                         | x                       | x        |
| 380 | EL0252867 | HEXAGON NUT DIN 934 M5 V2A             | x                       |                         |          |
|     | EL0251887 | HEXAGON NUT DIN 934 M6 V2A             |                         | x                       | x        |
| 390 | EL0304816 | LOCK WASHER DIN 6797 J5,3 V2A          | x                       |                         |          |
|     | EL0006777 | SERRATED LOCK WASHER DIN 6798 A6,4 V2A |                         | x                       | x        |



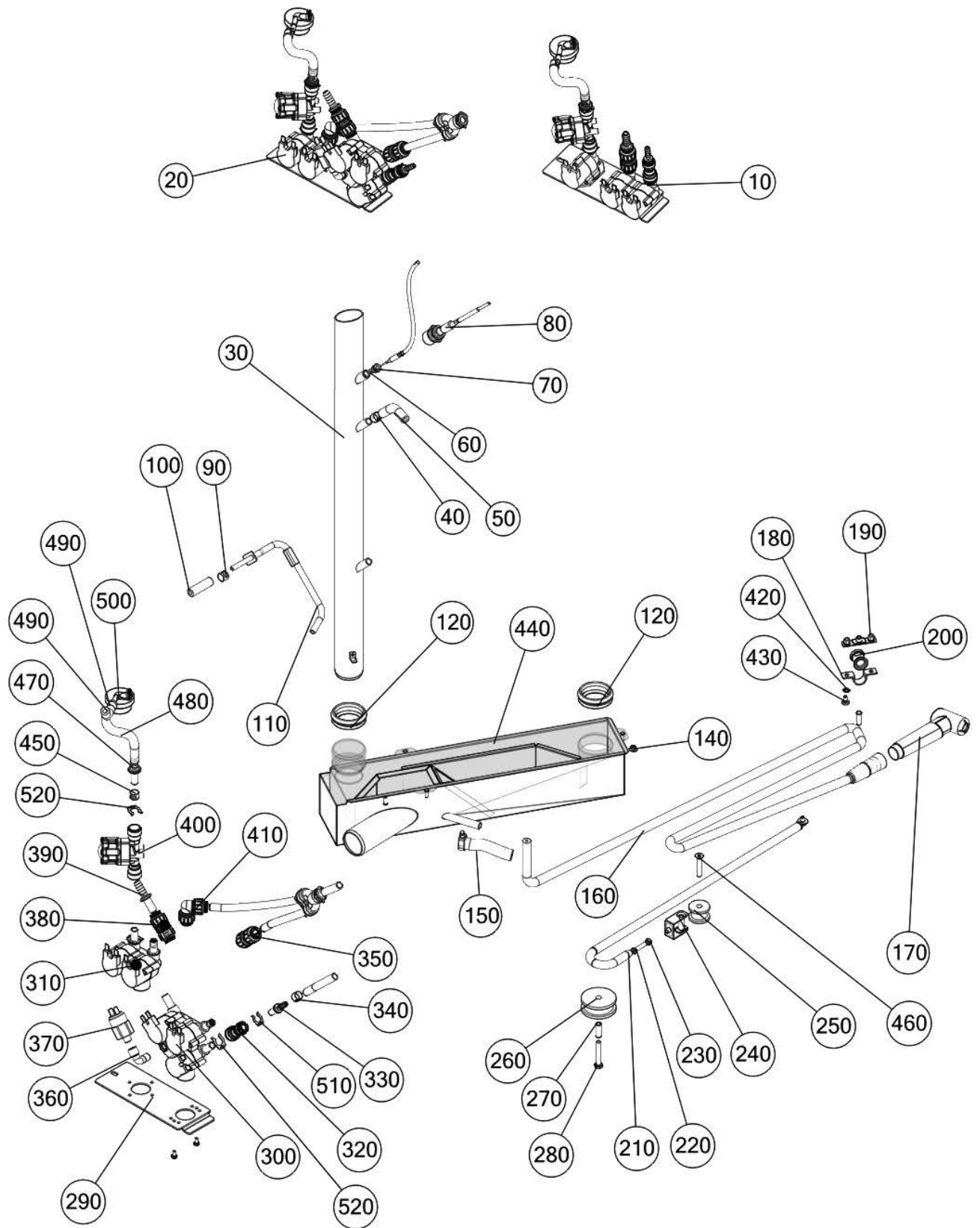
**E-Base Joker MT 2/3 Joker MT 1/1 GMTX 1/1 - series/15**

|     |           |                                                 | Joker <sup>MT</sup> 2/3 | Joker <sup>MT</sup> 1/1 | GMTC 1/1 |
|-----|-----------|-------------------------------------------------|-------------------------|-------------------------|----------|
| 10  | EL0337676 | END CLAMP 10MM                                  | x                       | x                       | x        |
| 20  | EL0572055 | CLAMP 4 QMM GY                                  | x                       | x                       | x        |
| 30  | EL0571067 | CLAMP 4 QMM BU                                  | x                       | x                       | x        |
| 40  | EL0570966 | END PLATE 4 QMM                                 | x                       | x                       | x        |
| 50  | EL2001974 | CIRCUIT BREAKER B 6A 1P                         | x                       | x                       | x        |
| 60  | EL2001691 | CIRCUIT BREAKER B 10A 1-POL.                    | x                       | x                       | x        |
| 70  | EL2001032 | COUPLING-RELAYS-MODULE FINDER48.52.8.230        | x                       | x                       | x        |
| 80  | EL2001689 | CONTACTOR BF 18-10 A 230 V260 LOVATO            | x                       | x                       | x        |
| 90  | EL2000765 | CONTACTOR BF 09 10 A 230 V260 LOVATO            | x                       | x                       | x        |
| 100 | EL0504602 | SAFETY TEMPERATURE LIMITER                      | x                       | x                       | x        |
| 110 | EL0513989 | TERMINAL LOCKING 2-WIRE                         | x                       | x                       | x        |
| 120 | EL0553549 | TERMINAL 2-WIRE GREY WITH FLANGE                | x                       | x                       | x        |
| 130 | EL0570907 | END PLATE                                       | x                       | x                       | x        |
| 140 | EL0572217 | TRANSFORMER 230V/2X11,5V                        | x                       | x                       | x        |
| 150 | EL2000522 | TRANSFORMER 18V                                 | x                       | x                       | x        |
| 160 | EL2000709 | CPU BOARD C2                                    | x                       | x                       | x        |
|     | EL2000937 | Micro SD Card Linux Image (to be ordered separa | x                       | x                       | x        |
| 170 | EL0759877 | SPEAKER D2K                                     | x                       | x                       | x        |
| 180 | EL2001850 | IO-BOARD MT                                     | x                       | x                       | x        |
| 190 | EL2001651 | MICRO FUSES 1 A INERT ROUND                     | x                       | x                       | x        |
| 200 | EL2001652 | MICRO FUSES 5 A INERT ANGULAR                   | x                       | x                       | x        |
| 210 | EL0693456 | AXIAL FAN 119X119X38 230V                       | x                       | x                       | x        |
| 220 | EL0503606 | TRANSFORMER STU 250/2X115                       | x                       | x                       | x        |
| 230 | EL0693480 | CAPACITOR 3 MICROFARAD                          | x                       |                         |          |
|     | EL2002381 | CAPACITOR 6 MICROFARAD                          |                         | x                       | x        |
| 240 | EL2002382 | CAPACITOR 2,5 MICROFARAD                        |                         | x                       | x        |
| 250 | EL2001846 | FINE WIRE FUSE 5X20 500 MA INERT                | x                       | x                       | x        |
| 260 | EL0232963 | SPOUT DG 16                                     | x                       | x                       | x        |
| 270 | EL0788376 | LENS HEAD SCREW DIN 7985 M4X50 V2A              | x                       | x                       | x        |
| 280 | EL0758582 | BRACKET SPEAKER                                 | x                       | x                       | x        |
| 300 | EL2001589 | SAFETY COVER                                    | x                       | x                       | x        |
| 310 | EL2001929 | SPACERS F.CIRCUIT BOARD.LPL                     | x                       | x                       | x        |
| 320 | EL0510583 | FINE WIRE FUSE 4A T BREAKING CURRENT 1500A      | x                       | x                       | x        |



**Exhaust supply air, e-parts general Joker MT 2/3 Joker MT 1/1 GMTC 1/1 - series/15**

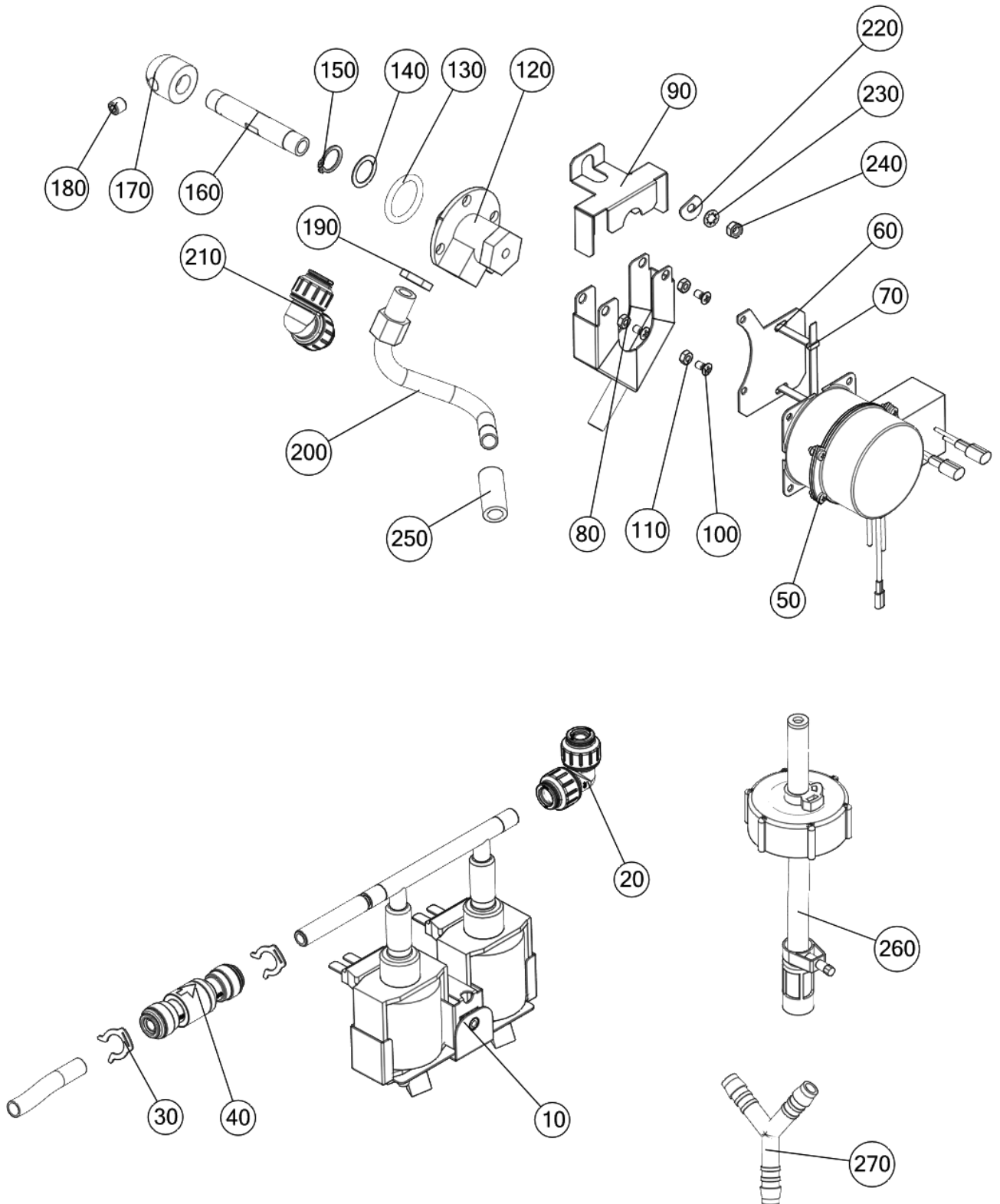
|     |           |                                        | Joker <sup>MT</sup> 2/3 | Joker <sup>MT</sup> 1/1 | GMTC 1/1 |
|-----|-----------|----------------------------------------|-------------------------|-------------------------|----------|
| 10  | EL0586013 | INTERFERENCE FILTER                    | x                       | x                       | x        |
| 20  | EL0758574 | LOCK WASHER DIN 6797 A12,5 V2A         | x                       | x                       | x        |
| 30  | EL0012343 | HEXAGON NUT DIN 934 M12 V2A            | x                       | x                       | x        |
| 40  | EL0553298 | COMBI-NUT M4 V2A                       | x                       | x                       | x        |
| 50  | EL0003905 | HEXAGON NUT DIN 934 M4 V2A             | x                       | x                       | x        |
| 60  | EL0026999 | WASHER DIN 9021 4,3 V2A                | x                       | x                       | x        |
| 70  | EL0004014 | WASHER DIN 125 A6,4 V2A                | x                       | x                       | x        |
| 80  | EL0223697 | SUPPORT BRIDGE M6                      | x                       | x                       | x        |
| 90  | EL0006777 | SERRATED LOCK WASHER DIN 6798 A6,4 V2A | x                       | x                       | x        |
| 100 | EL0251887 | HEXAGON NUT DIN 934 M6 V2A             | x                       | x                       | x        |
| 110 | EL0501321 | LOCK NUT M25X1.5                       | x                       | x                       | x        |
| 120 | EL0501319 | CONNECTION M25X1,5                     | x                       | x                       | x        |
| 130 | EL0753742 | O-RING 23,4X3,53 VITON                 | x                       | x                       | x        |
| 140 | EL0752746 | DISK NUT M5 V2A                        | x                       | x                       | x        |
| 150 | EL2001416 | SUPPLY AIR COMPL.GENIUS MT COMPACT     | x                       | x                       | x        |
| 160 | EL2001809 | CAP COMPL. COVER GMTC                  | x                       | x                       | x        |
| 170 | EL0003905 | HEXAGON NUT DIN 934 M4 V2A             | x                       | x                       | x        |
| 180 | EL0509191 | GASKET AIR SUPPLY PIPE                 | x                       | x                       | x        |
| 190 | EL0579173 | LIFTING ROD AIR SUPPLY                 | x                       | x                       | x        |
| 200 | EL0580627 | O-RING 6,75X1,78 VITON                 | x                       | x                       | x        |
| 210 | EL0566594 | BELLOWS AIR SUPPLY PIPE D2K            | x                       | x                       | x        |
| 220 | EL0010421 | LENS HEAD SCREW DIN 7985 M3X12 V2A     | x                       | x                       | x        |
| 230 | EL2001644 | LIFTING MAGNET BISTABLE FABRICATED     | x                       | x                       | x        |
| 240 | EL0050822 | LOCK WASHER DIN 6797 J3,2 V2A          | x                       | x                       | x        |
| 250 | EL0000965 | WASHER DIN 125 A3,2 V2A                | x                       | x                       | x        |
| 260 | EL0013455 | O-RING 3,68X1,78                       | x                       | x                       | x        |
| 270 | EL0553395 | WASHER NUT V2A                         | x                       | x                       | x        |
| 280 | EL0578886 | FLAP SUPPLY AIR D2K                    | x                       | x                       | x        |
| 290 | EL0013455 | O-RING 3,68X1,78                       | x                       | x                       | x        |
| 300 | EL0006637 | HEXAGON NUT LOW DIN 439 M4 V2A         | x                       | x                       | x        |
| 310 | EL0873470 | HEXAGON HEAD SCREW DIN 933 M4X12 V2A   | x                       | x                       | x        |
| 320 | EL2001027 | EXHAUST AIR SEAL                       | x                       | x                       | x        |
| 330 | EL2001418 | SUPPLY AIR VMONT JOKER MT              | x                       | x                       | x        |





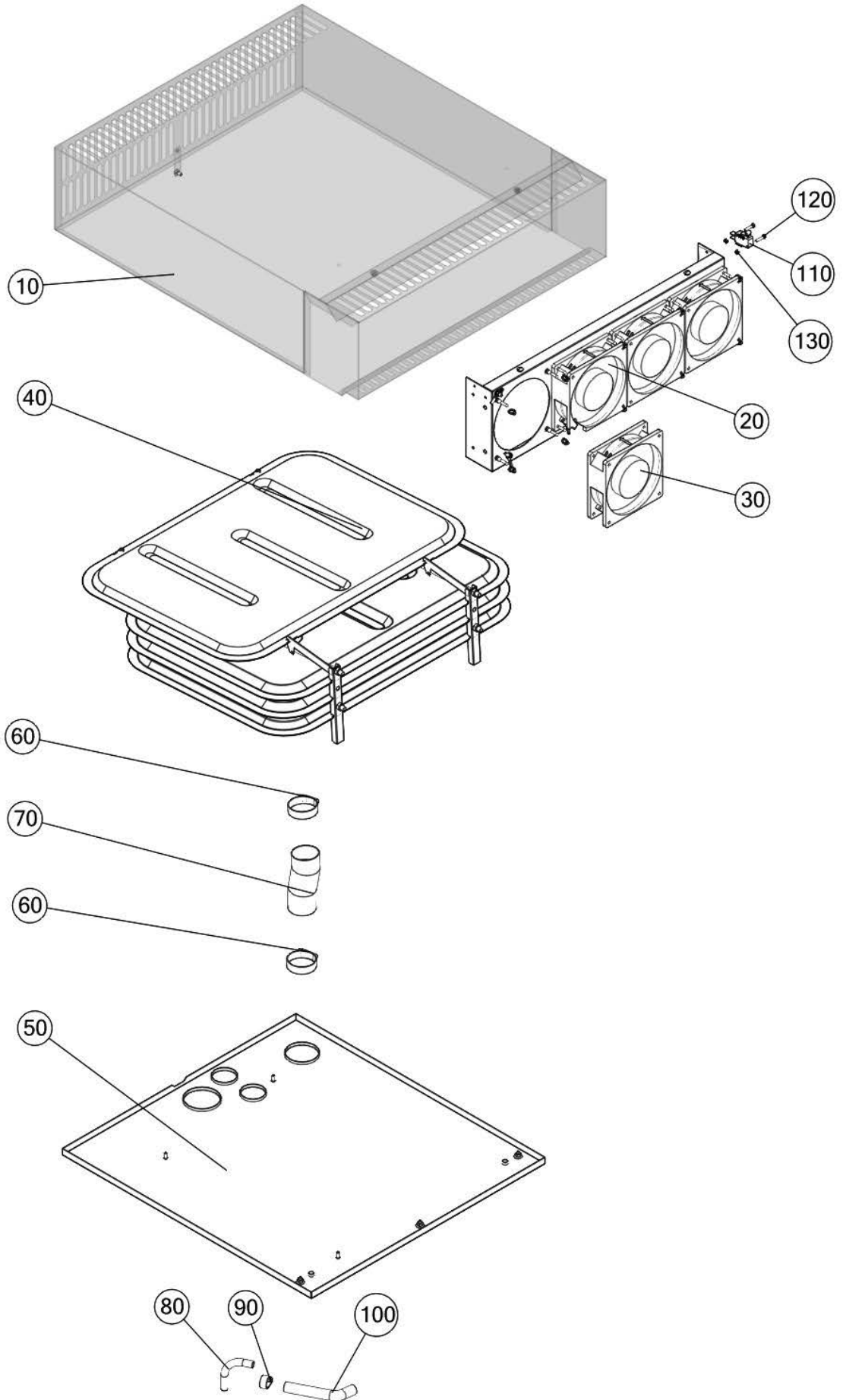
## Valves and hand shower JokerMT 2/3 JokerMT 1/1 GMTC 1/1 -series/15

|     |              |                                           | Joker <sup>MT</sup> 2/3 | Joker <sup>MT</sup> 1/1 | GMTC 1/1 |
|-----|--------------|-------------------------------------------|-------------------------|-------------------------|----------|
| 10  | EL2001900    | BG WATER JOKER MT 23 AC                   | x                       |                         |          |
| 20  | EL2000043    | BG WATER JOKER MT 11 AC                   |                         | x                       | x        |
| 30  | EL2001512    | EXHAUST PIPE COMPL.GMTC                   | x                       | x                       | x        |
| 40  | EL0593346    | CLAMPING RING                             | x                       | x                       | x        |
| 50  | EL0593311    | SILICON HOSE D6X3 TRANSPARENT             | x                       | x                       | x        |
| 60  | EL0268666    | GASKET 3X1,5X6                            | x                       | x                       | x        |
| 70  | EL0759864    | FITTING                                   | x                       | x                       | x        |
| 80  | EL0570621    | NICRNI SENSOR                             | x                       | x                       | x        |
| 90  | EL0593346    | CLAMPING RING NW 11                       | x                       | x                       | x        |
| 100 | EL0593311    | SILICON HOSE D6X3 TRANSPARENT             | x                       | x                       | x        |
| 110 | EL2001422    | WATER SUPPLY PIPE COOKING CHAMBER GMTC-33 | x                       | x                       | x        |
| 120 | EL0155349    | GASKET DN 40                              | x                       | x                       | x        |
| 130 | EL2002220    | EXHAUST AIR SEAL DN40                     |                         |                         |          |
| 140 | EL0553395    | WASHER NUT M4 V2A                         | x                       | x                       | x        |
| 150 | EL0506222    | SILICON HOSE D11X3 TRANSPARENT            | x                       | x                       | x        |
| 160 | EL0782599    | TUBE SPRINKLER D2K 623 03                 | x                       | x                       | x        |
| 170 | EL0783404    | HANDLE PIECE WITH CHECK VALVE             | x                       | x                       | x        |
| 180 | EL0873322    | FASTENING CLAMP                           | x                       | x                       | x        |
| 190 | EL0782734    | TURNTABLE 623 03                          | x                       | x                       | x        |
| 200 | EL0785113    | BEND PROTECTION D12X20,5                  | x                       | x                       | x        |
| 210 | EL0782769    | TENSION SPRING 623 03                     | x                       | x                       | x        |
| 220 | EL0565482    | COUNTERSUNK SCREW DIN 965 M5X25 V2A       | x                       | x                       | x        |
| 230 | EL0252867    | HEXAGON NUT DIN 934 M5 V2A                | x                       | x                       | x        |
| 240 | EL0782602    | BRACKET D2K 623 03                        | x                       | x                       | x        |
| 250 | EL0782572    | GUIDE ROLLER D=50 D2K 623 03              | x                       | x                       | x        |
| 260 | EL0782572    | GUIDE ROLLER D=50 D2K 623 03              | x                       | x                       | x        |
| 270 | EL0782580    | BUSH FOR CABLE ROLL D2K 623 03            | x                       | x                       | x        |
| 280 | EL0785539    | HEXAGON HEAD SCREW DIN 933 M6X40 V2A      | x                       | x                       | x        |
| 290 | EL0508947    | HOLDER SOLENOID VALVE                     | x                       | x                       | x        |
| 300 | EL2002384    | QUADRUPLE VALVE JMT GMTC ET               | x                       | x                       | x        |
| 305 | EL0508981    | TWIN VALVE RV 0,32-0,40 L/MIN             | x                       |                         |          |
|     | EL0508944    | RPE TWIN VALVE RMV 258 (NO ET)            |                         | x                       | x        |
| 310 | EL2002383    | TWIN VALVE JMT 23 ET                      | x                       |                         |          |
|     | EL2002385    | TWIN VALVE JMT GMTC 11 ET                 |                         | x                       | x        |
| 315 | EL0508979    | SINGLE VALVE RV 0,07-0,14 L/MIN CPL.      | x                       |                         |          |
| 315 | EL0508943    | RPE SINGLE VALVE RMV 158                  |                         | x                       | x        |
| 320 | EL0508951    | STRAIGHT REDUCER                          | x                       | x                       | x        |
| 330 | EL2001140    | PIPE LOCKPIN 8/6MM JG                     | x                       | x                       | x        |
| 340 | EL2593346    | CLAMPING RING NW 11                       | x                       | x                       | x        |
| 350 | EL0508937    | STRAIGHT CONNECTOR                        | x                       | x                       | x        |
| 360 | EL0773719    | CONNECTOR G 1/8"                          | x                       | x                       | x        |
| 370 | EL0784028    | PRESSURE SWITCH                           | x                       | x                       | x        |
| 380 | EL0508937    | STRAIGHT CONNECTOR                        | x                       | x                       | x        |
| 390 | EL0508941    | PIPE LOCKPIN 10mm/8mm                     | x                       | x                       | x        |
| 400 | EL2001765    | PRESSURE REDUCER R-SERIES 1.2 BAR         | x                       | x                       | x        |
| 410 | EL0508939    | ELBOW-CONNECTOR                           | x                       | x                       | x        |
| 420 | EL0304816    | LOCK WASHER DIN 6797 J5,3 V2A             | x                       | x                       | x        |
| 430 | EL0189405    | LENS HEAD SCREW DIN 7985 M5X10 V2A        | x                       | x                       | x        |
| 440 | EL2001410    | SIPHON COMPL.GENIUS MT COMP.6-23, 1-1     | x                       | x                       | x        |
| 450 | EL0593346    | CLAMPING RING NW11                        | x                       | x                       | x        |
| 460 | EL0782629    | COUNTERSUNK SCREW DIN 7991 M6X35 V2A      | x                       | x                       | x        |
| 470 | EL2000760    | LOCK PIN COMPL.BL0,6 JG 10                | x                       | x                       | x        |
| 480 | EL0593311    | SILICON HOSE D6X3 TRANSPARENT             | x                       | x                       | x        |
| 490 | EL0871907    | GASKET FLAT D18XD10X4                     | x                       | x                       | x        |
| 500 | EL0509008    | FLOWMETER DIGMESA                         | x                       | x                       | x        |
| 510 | EL2001439    | PLASTIC LOCK RING 5/16"                   | x                       | x                       | x        |
| 520 | EL0508989    | PLASTIC LOCK RING 3/8"                    | x                       | x                       | x        |
|     | EL2001715-ET | BG CHANNEL FLOW AC JOKER MT (all hoses)   | x                       | x                       | x        |



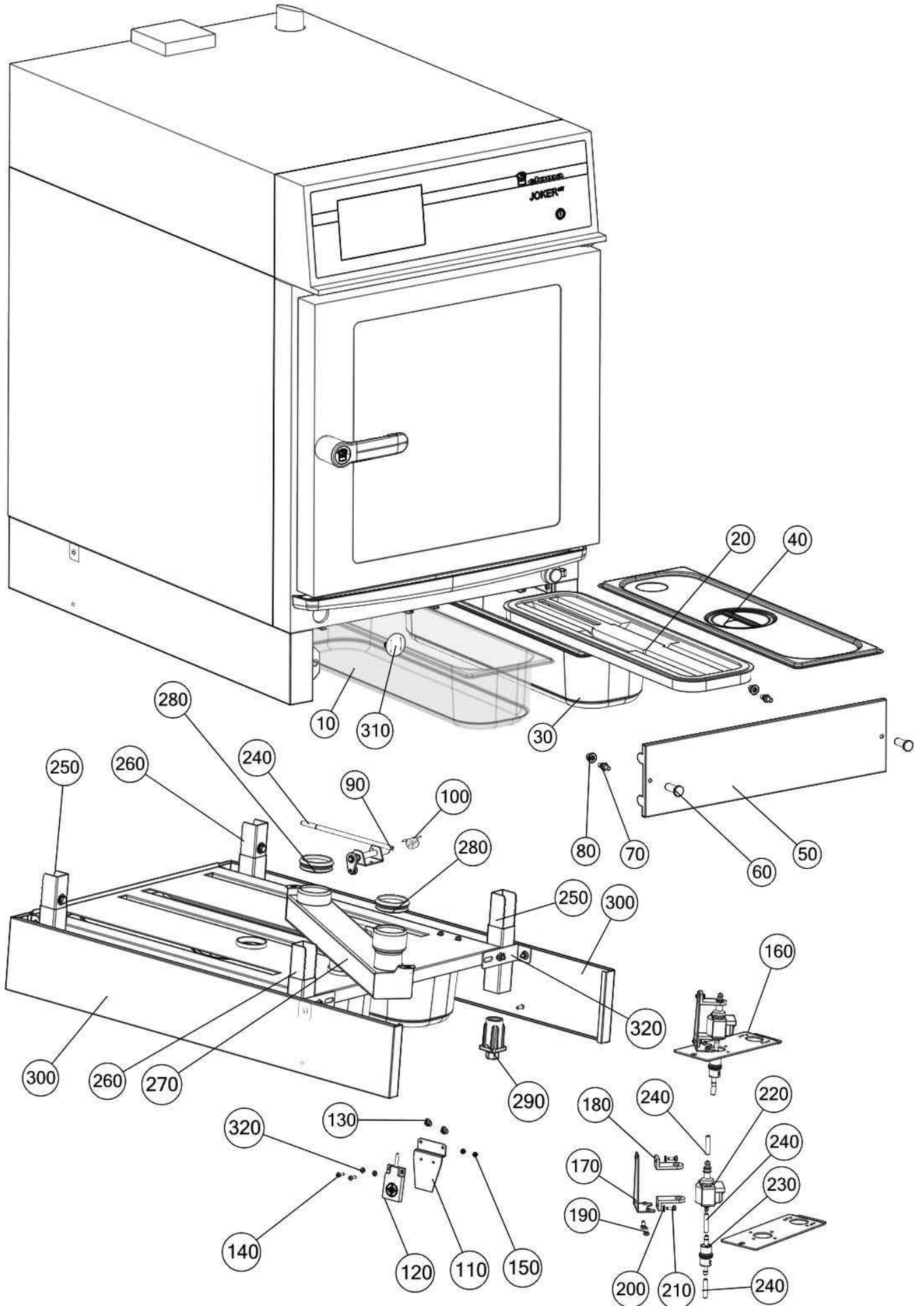
**Autoclean JokerMT 2/3 JokerMT 1/1 GMTC 1/1 - series/15**

|     |           |                                        | Joker <sup>MT</sup> 2/3 | Joker <sup>MT</sup> 1/1 | GMTC 1/1 |
|-----|-----------|----------------------------------------|-------------------------|-------------------------|----------|
| 10  | EL2000632 | BG PUMPS AC 61011 013                  | x                       | x                       | x        |
| 20  | EL0508939 | ELBOW-CONNECTOR                        | x                       | x                       | x        |
| 30  | EL0508989 | PLASTIC LOCK RING 3/6"                 | x                       | x                       | x        |
| 40  | EL2001029 | JG-CHECK VALVE 10 SCV                  | x                       | x                       | x        |
| 50  | EL2001631 | AC-MOTOR 230V AC FABRICATED (LEILI)    | x                       | x                       | x        |
| 60  | EL2001730 | CAPACITOR SUPPORT BG AC GMTC           | x                       | x                       | x        |
| 70  | EL0565393 | CABLE TIES 178 x 4,8mm PA 6.6          | x                       | x                       | x        |
| 80  | EL2001725 | COLLECTING CONTAINER COMPL.AC          | x                       | x                       | x        |
| 90  | EL2001729 | LID AC (6/23 NEW)                      | x                       | x                       | x        |
| 100 | EL0014249 | ROUNDED COUNTERSUNK HEAD SCREW DIN 966 | x                       | x                       | x        |
| 110 | EL0003905 | HEXAGON NUT DIN 934 M4 V2A             | x                       | x                       | x        |
| 120 | EL0775134 | HUB AUTOCLEAN RADIAL SEALING + O-RING  | x                       | x                       | x        |
| 130 | EL0753742 | O-RING 23,4X3,53 VITON                 | x                       | x                       | x        |
| 140 | EL0584339 | SHIM RING DIN 988 14X20X0,5 V2A        | x                       | x                       | x        |
| 150 | EL0581011 | RETAINING RING DIN 471 14X1 V2A        | x                       | x                       | x        |
| 160 | EL0501217 | NOZZLE PIPE 07 623                     | x                       | x                       | x        |
| 170 | EL0502027 | NOZZLE AUTOCLEAN 2/3                   | x                       | x                       | x        |
| 180 | EL0753785 | THREADED PIN DIN 913 M8X8 V2A          | x                       | x                       | x        |
| 190 | EL0035637 | HEXAGON NUT R 1/4 SW 19X6              | x                       | x                       | x        |
| 200 | EL0508957 | SUPPLY PIPE AUTOCLEAN JOKER            | x                       | x                       | x        |
| 210 | EL0508939 | ELBOW-CONNECTOR                        | x                       | x                       | x        |
| 220 | EL0873462 | WASHER AUTOCLEAN                       | x                       | x                       | x        |
| 230 | EL0304816 | LOCK WASHER DIN 6797 J5,3 V2A          | x                       | x                       | x        |
| 240 | EL0252867 | HEXAGON NUT DIN 934 M5 V2A             | x                       | x                       | x        |
| 250 | EL0593303 | SILICON HOSE D9X3 TRANSPARENT          | x                       | x                       | x        |
| 260 | EL0756296 | ACCESSOIRES CANISTER                   | x                       | x                       | x        |
| 270 | EL0756024 | Y-SHAPED TUBE CONNECTING 10MM          | x                       | x                       | x        |



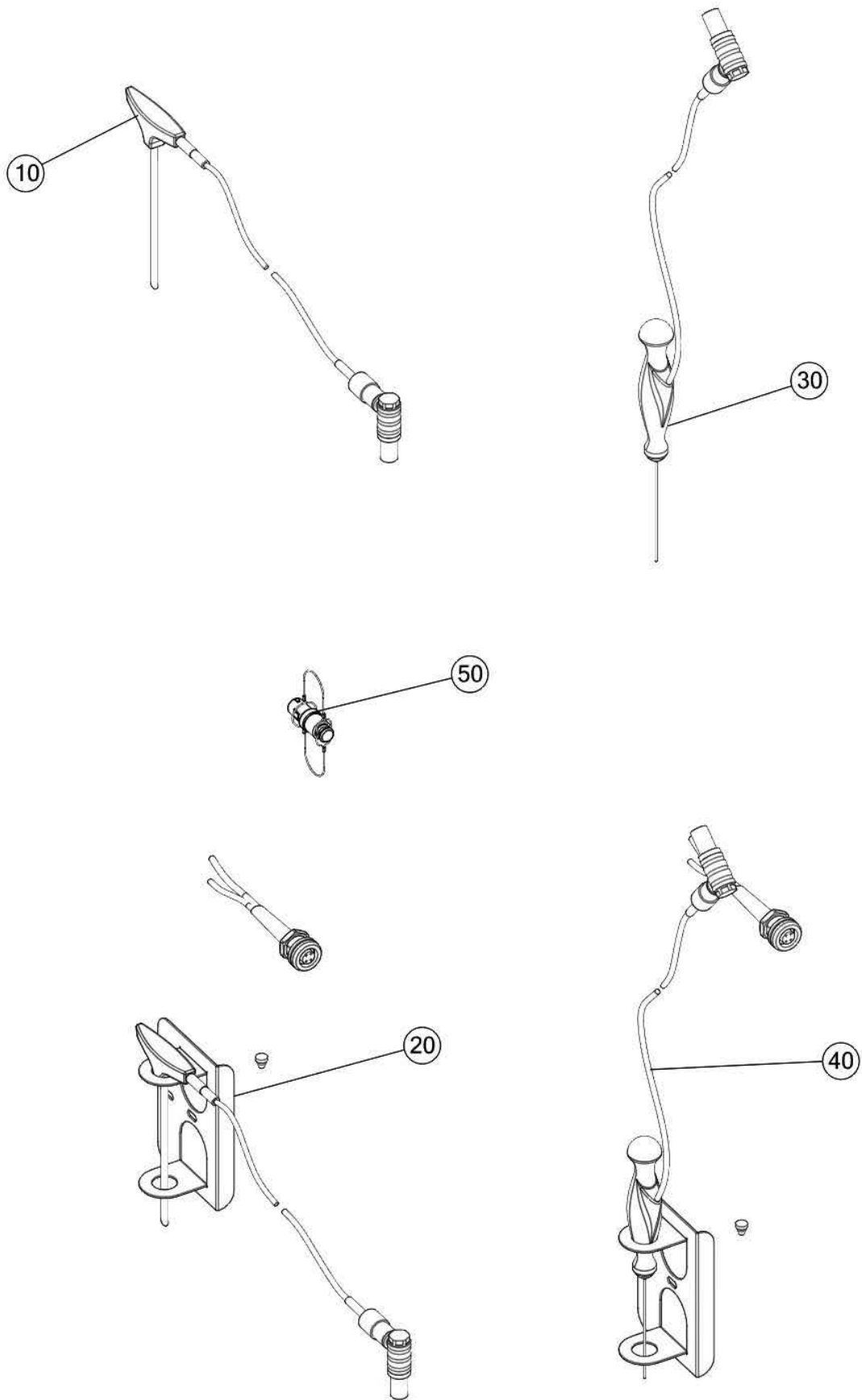
**Condensation hood KH1 JokerMT 2/3 JokerMT 1/1 GMTC 1/1 - series/15**

|     |           |                                    | Joker <sup>MT</sup> 2/3 | Joker <sup>MT</sup> 1/1 | GMTC 1/1 |
|-----|-----------|------------------------------------|-------------------------|-------------------------|----------|
| 10  | EL0502184 | HOOD COMPL KH 1                    | x                       |                         |          |
|     | EL2001746 | HOOD COMPL. KH1 GMTC-33            |                         | x                       | x        |
| 20  | EL0509378 | FAN PLATE ASSEMB. KH1              | x                       | x                       | x        |
| 30  | EL0693456 | AXIAL FAN 119X119X38 230V          | x                       | x                       | x        |
| 40  | EL2001738 | CAPACITOR KH1 GMTC                 | x                       | x                       | x        |
| 50  | EL2001741 | TUB COMPL.KH GMTC-23               | x                       |                         |          |
|     | EL2001741 | TUB COMPL.KH GMTC-33               |                         | x                       | x        |
| 60  | EL0580791 | HOSE CLAMP 40-60 MM                | x                       | x                       | x        |
| 70  | EL0502218 | SILICON HOSE D 38X4                | x                       | x                       | x        |
| 80  | EL0784516 | WATER PIPE KH                      | x                       | x                       | x        |
| 90  | EL0262390 | FASTENING CLAMP                    | x                       | x                       | x        |
| 100 | EL0593303 | SILICON HOSE D9X3 TRANSPARENT      | x                       | x                       | x        |
| 110 | EL0570540 | MICROSWITCH                        | x                       | x                       | x        |
| 120 | EL0162469 | LENS HEAD SCREW DIN 7985 M3X16 VA2 | x                       | x                       | x        |
| 130 | EL0000396 | HEXAGON NUT DIN 934 M3 V2A         | x                       | x                       | x        |



**Water tank option JokerMT 2/3 JokerMT 1/1 GMTC 1/1 - series/15**

|     |           |                                                      | Joker <sup>MT</sup> 2/3 | Joker <sup>MT</sup> 1/1 | GMTC 1/1 |
|-----|-----------|------------------------------------------------------|-------------------------|-------------------------|----------|
| 10  | EL2001819 | GASTRONORM CONTAINER 2-4_100 POLYCARB.TRANSF.        | x                       | x                       | x        |
| 20  | EL2001821 | FLAT COVER GASTRONORM POLYCARB.TRANSF.CLOSED         | x                       | x                       | x        |
| 30  | EL2001820 | GASTRONORM CONTAINER 2-4_100 V2A                     | x                       | x                       | x        |
| 40  | EL2002154 | FLAT COVER GASTRONORM 2-4 STAINLESS STEEL PERFORATED | x                       | x                       | x        |
| 50  | EL2002143 | PANEL CPL. TANK JOKER MT                             | x                       | x                       | x        |
| 60  | EL2002152 | HANDLE PIECE                                         | x                       | x                       | x        |
| 70  | EL2002300 | SNAPLOC-BALL PIN-D7-M6-PPA                           | x                       | x                       | x        |
| 80  | EL2002299 | SNAPLOC-COUPPING-D7-EPDM                             | x                       | x                       | x        |
| 90  | EL2001833 | PIPE COMPONENTS WATER TANK JOKER MT                  | x                       | x                       | x        |
| 100 | EL0783390 | TORSION SPRING RA 623 03                             | x                       | x                       | x        |
| 110 | EL2001862 | SUPPORT CAP. SENSOR TANK JOKER                       | x                       | x                       | x        |
| 120 | EL0895474 | LEVEL SENSOR CAPACITIVE                              | x                       | x                       | x        |
| 130 | EL0553395 | CLAMP 2 CONDUCTORS WITH FLANGE GY                    | x                       | x                       | x        |
| 140 | EL0010421 | LENS HEAD SCREW DIN 7985 M3X12 V2A                   | x                       | x                       | x        |
| 150 | EL0749842 | LOCK NUT M3                                          | x                       | x                       | x        |
| 160 | EL2002021 | COMPONENTS WATER JOKER MT TANK                       | x                       | x                       | x        |
| 170 | EL2002036 | ANGLE PUMP                                           | x                       | x                       | x        |
| 180 | EL2002022 | PUMP SUPPORT (RUBBER) ET                             | x                       | x                       | x        |
| 190 | EL0001015 | LENS HEAD SCREW DIN 7985 M4X8 V2A                    | x                       | x                       | x        |
| 200 | EL0001007 | WASHER DIN 125 A4,3 V2A                              | x                       | x                       | x        |
| 210 | EL0010502 | LENS HEAD SCREW DIN 7985 M4X10 V2A                   | x                       | x                       | x        |
| 220 | EL2001942 | PISTON PUMP JOKER TANK W. SUPPORT                    | x                       | x                       | x        |
| 230 | EL2002291 | WATER FILTER FOR TANK DEVICE                         | x                       | x                       | x        |
| 240 | EL0253863 | HOSE D 4X2 SILCONE RUBBER                            | x                       | x                       | x        |
| 250 | EL2001829 | BASE EXTENSION COMPL. (B) TANK GMTC                  | x                       | x                       | x        |
| 260 | EL2001828 | BASE EXTENSION COMPL. (A) TANK GMTC                  | x                       | x                       | x        |
| 270 | EL2002027 | DRAIN PIPE TANK COMPL. JOKER MT                      | x                       | x                       | x        |
| 280 | EL0155349 | GASKET DN 40                                         | x                       | x                       | x        |
| 290 | EL2001784 | FOOT DRILLED GMTC                                    | x                       | x                       | x        |
| 300 | EL2002132 | BASE PANEL TANK DEVICE JOKER MT 23                   | x                       |                         |          |
|     | EL2002131 | BASE PANEL TANK DEVICE JOKER MT 11                   |                         | x                       | x        |
| 310 | EL0017779 | CAP D 28                                             | x                       | x                       | x        |
| 320 | EL0520500 | BASE FIXATION MARINE VERSION                         | x                       | x                       | x        |
| 330 | EL0000965 | WASHER DIN 125 A3,2 V2A                              | x                       | x                       | x        |





**External sensors JokerMT 2/3 JokerMT 1/1 GMTC 1/1 - series/15**

|    |           |                                                                                                                                                                                                                                                                                                                                | Joker <sup>MT</sup> 2/3 | Joker <sup>MT</sup> 1/1 | GMTC 1/1 |
|----|-----------|--------------------------------------------------------------------------------------------------------------------------------------------------------------------------------------------------------------------------------------------------------------------------------------------------------------------------------|-------------------------|-------------------------|----------|
| 10 | EL2001962 | <b>MEAT PROBE SENSOR EXTERNAL (SET) INCLUDES:</b><br>MEAT PROBE SENSOR WITH ODO-PLUG 1,7M<br>PACKAGING FOR EXTERNAL SENSOR                                                                                                                                                                                                     | x                       | x                       | x        |
| 20 | EL2002055 | <b>KIT MEAT PROBE SENSOR WITH BUSH EXTERNAL</b><br>MEAT PROBE SENSOR WITH ODO-PLUG 1,7M<br>BUSH W. DUMMY COVER FOR MEAT PROBE OR SOUS VIDE<br>HOLDER SOUSE VIDE PROBE<br>ASSEMBLY MAN BUSH MEAT PROBE/SOUS-VIDE SENSOR<br>DISTANCE RING BUSH EXTERNAL SENSOR<br>PACKAGING FOR EXTERNAL SENSOR<br>DUMMY PLUG MEAT PROBE BUSHING | x                       | x                       | x        |
| 30 | EL2001963 | <b>SOUS VIDE SENSOR EXTERNAL (SET) INCLUDES:</b><br>SOUS VIDE PROBE WITH ODO-PLUG 1,7M<br>PACKAGING FOR EXTERNAL SENSOR                                                                                                                                                                                                        | x                       | x                       | x        |
| 40 | EL2001964 | <b>KIT SOUS VIDE WITH BUSH EXTERNAL</b><br>SOUS VIDE PROBE WITH ODO-PLUG 1,7M<br>BUSH W. DUMMY CAP FOR MEAT PROBE OR SOUS-VIDE<br>HOLDER SOUSE VIDE PROBE<br>ASSEMBLY MANUAL BUSH MEAT PROBE/SOUS-VIDE SENSOR<br>DISTANCE RING BUSH EXTERNAL SENSOR<br>PACKAGING FOR EXTERNAL SENSOR<br>DUMMY PLUG MEAT PROBE BUSHING          | x                       | x                       | x        |
| 50 | EL2002214 | PROTECTION CAP BUSH EXTERNAL SENSOR                                                                                                                                                                                                                                                                                            | x                       | x                       | x        |



**Harnesses JokerMT 2/3 JokerMT 1/1 GMTC 1/1 - series/15**

|     |           |                                  | Joker <sup>MT</sup> 2/3 | Joker <sup>MT</sup> 1/1 | GMTC 1/1 |
|-----|-----------|----------------------------------|-------------------------|-------------------------|----------|
| 10  | EL2001693 | HARNESS JOKER MT EU              | x                       | x                       |          |
|     | EL2001812 | HARNESS JOKER MT UL              |                         |                         | x        |
| 20  | EL2002150 | HARNESS FAN JOKER MT             | x                       | x                       | x        |
| 30  | EL2000934 | CABLE AUDIO L=800MM              | x                       | x                       | x        |
| 40  | EL2001927 | CABLE FLAT L=300MM, 40 PIN       | x                       | x                       | x        |
| 50  | EL2001928 | CABLE BACKLIGHT EXTENSION 300 MM | x                       | x                       | x        |
| 60  | EL0874051 | CABLE HARNESS FLOWMETER          | x                       | x                       | x        |
| 70  | EL0567132 | CABLE DOOR CONTACT EB 30 D2K 623 | x                       | x                       | x        |
| 80  | EL0553271 | CONNECTION TERMINAL              | x                       | x                       | x        |
| 90  | EL2001879 | USB CABLE A ON B (1.80M)         | x                       | x                       | x        |
| 100 | EL2001930 | CABLE TOUCH EXTENSION 300MM      | x                       | x                       | x        |



**eloma**

EL2002224\_EN

Release 1.02

07/2015

Subject to technical changes.