

Control de Documento**A. Revisiones y aprobaciones del documento.**

| Actividad | Puesto | Nombre | Fecha |
|-----------------|-------------------------|----------------------|----------|
| Elaboró: | Ing. De Producto | Raúl Santiago | 28/03/16 |
| Revisó: | Dir. Calidad y Producto | Alejandro Montelongo | 28/03/16 |
| Aprobó: | Dir. Calidad y Producto | Alejandro Montelongo | 28/03/16 |

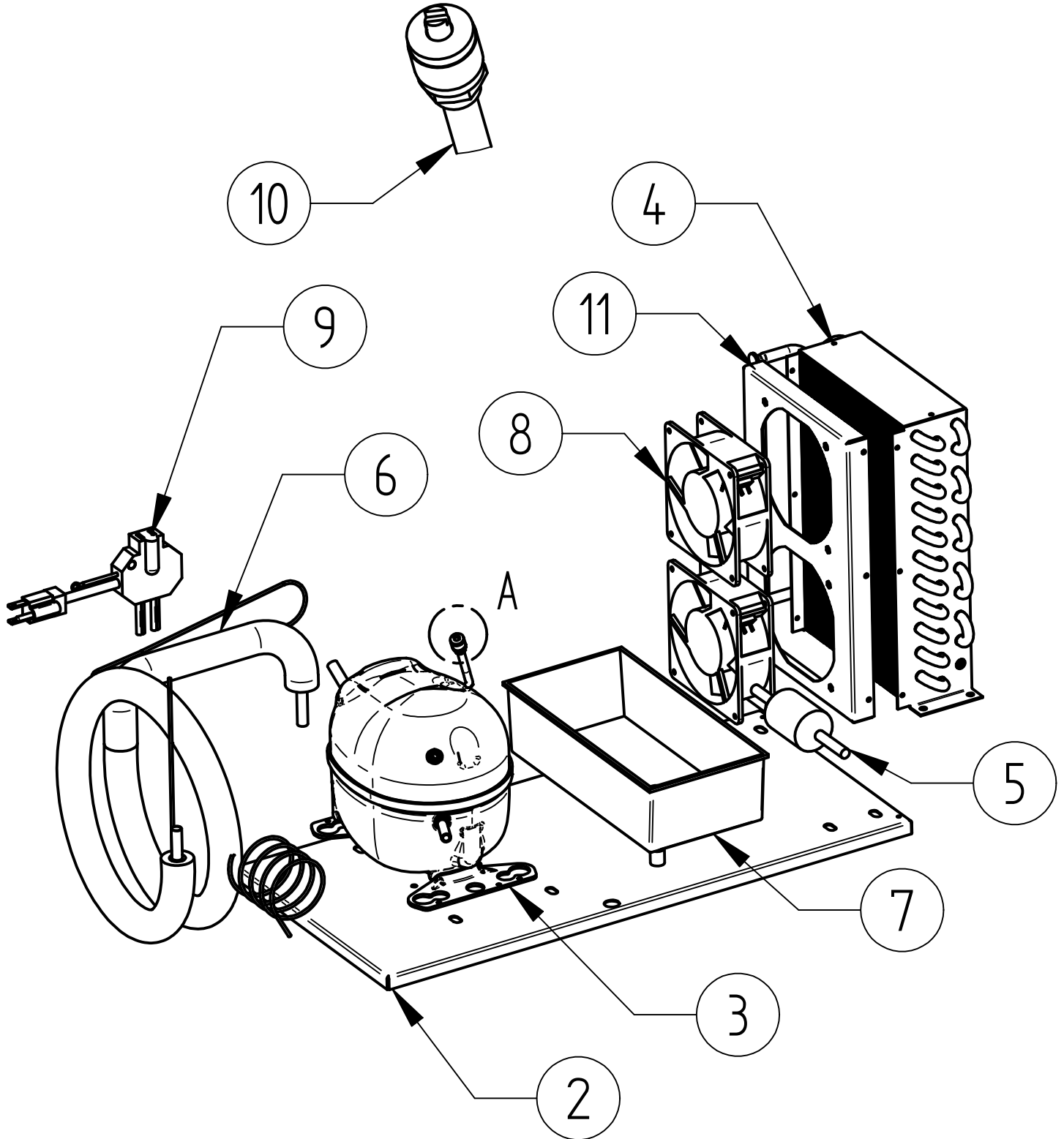
B. Descripción de cambios

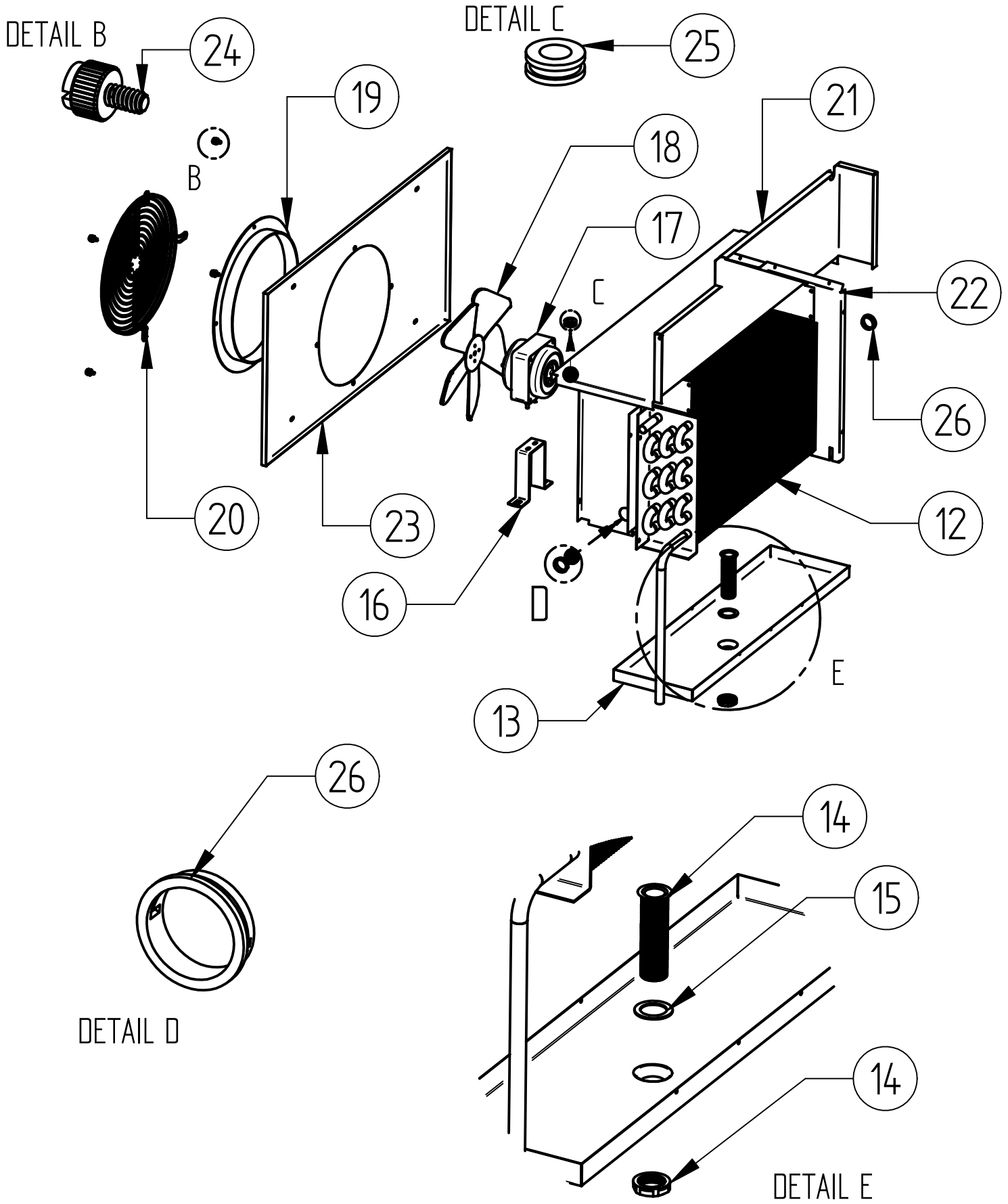
| Fecha | Rev. | Solicitante | Naturaleza del cambio |
|-------|------|-------------|-----------------------|
| | | | |
| | | | |
| | | | |
| | | | |
| | | | |
| | | | |

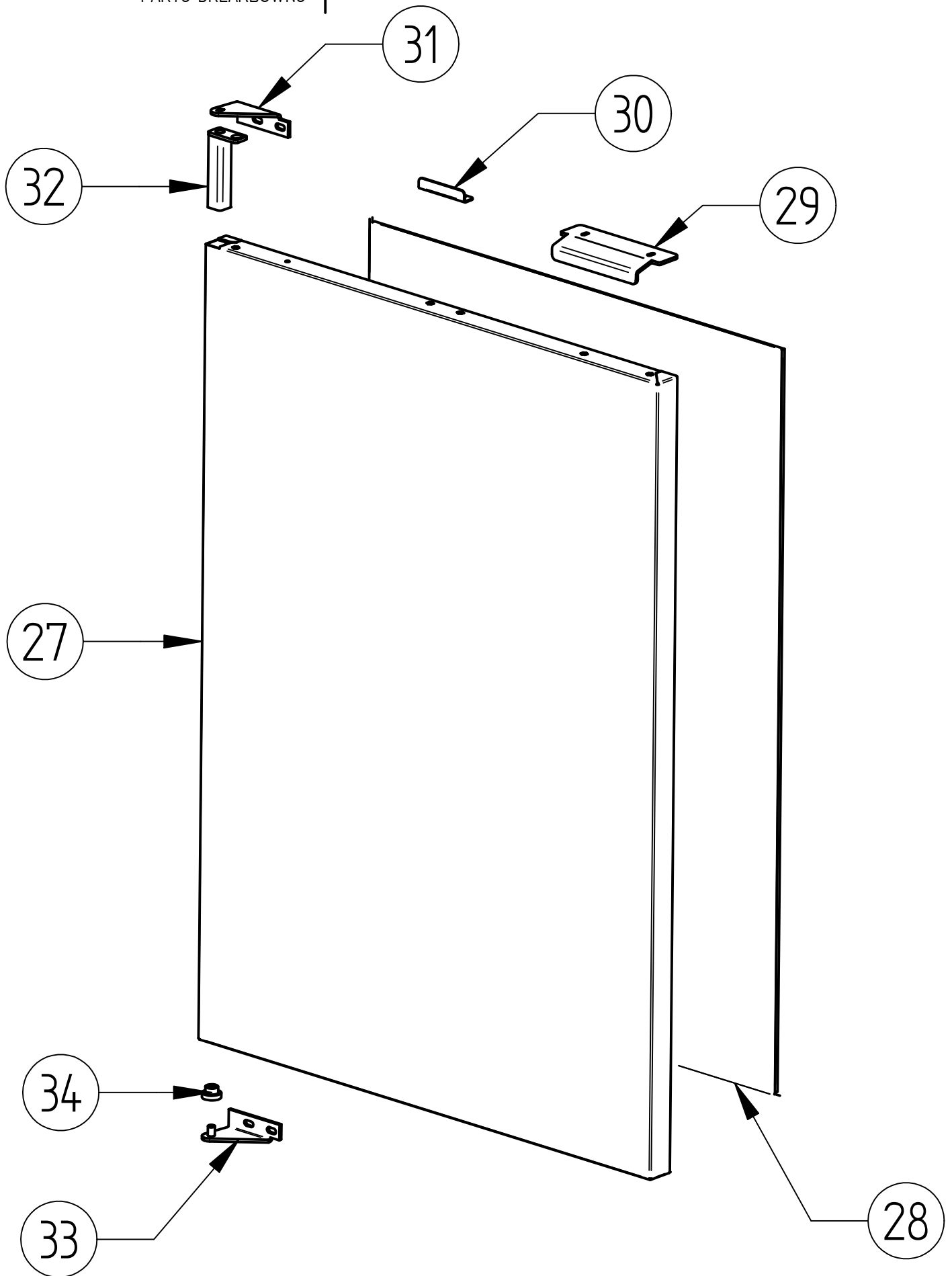
NO IMPRIMIR 1^{er} HOJA "CONTROL DOCUMENTAL"IMPRIMIR APARTIR DE LA 2^{DA} HOJA

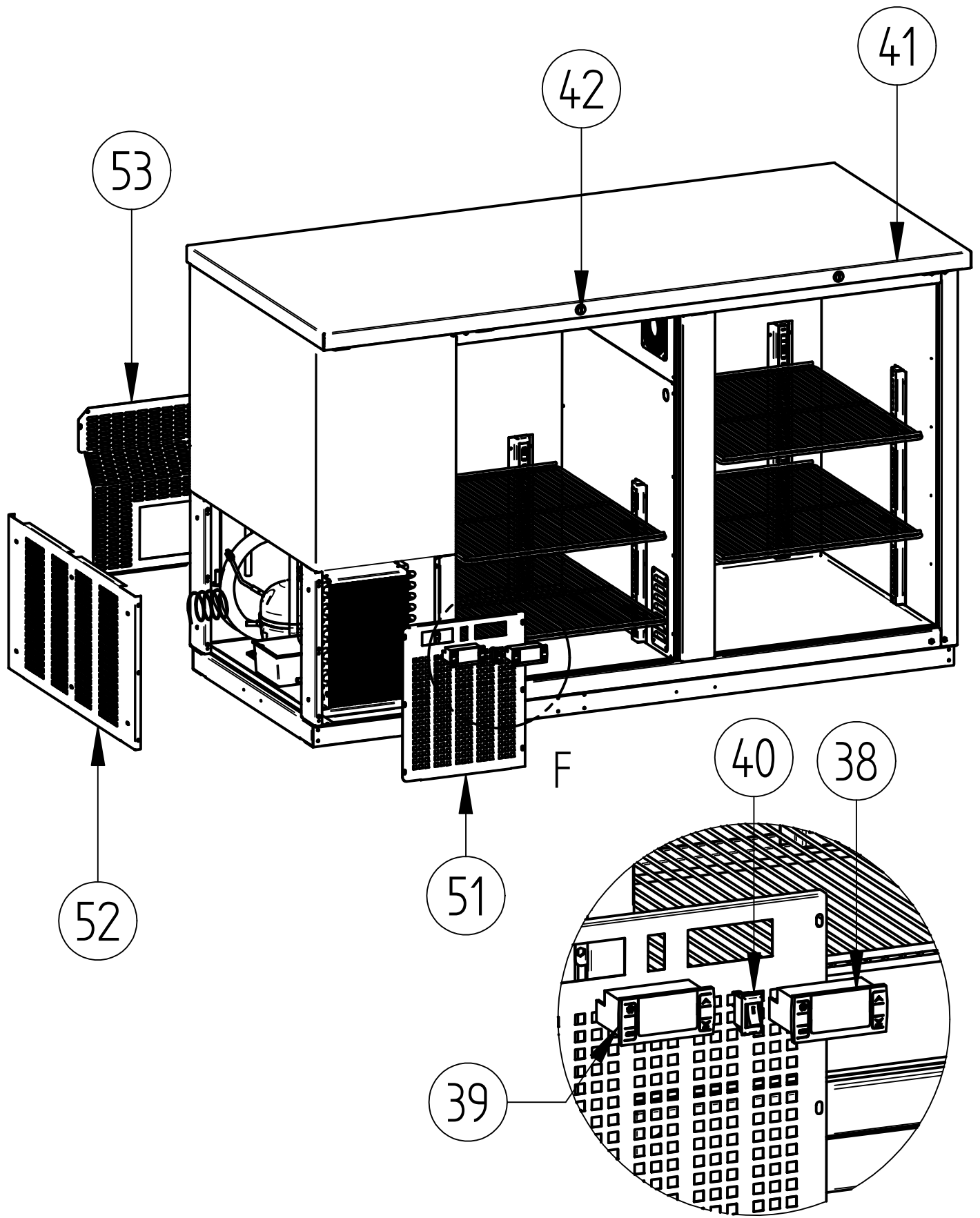


DETAIL A



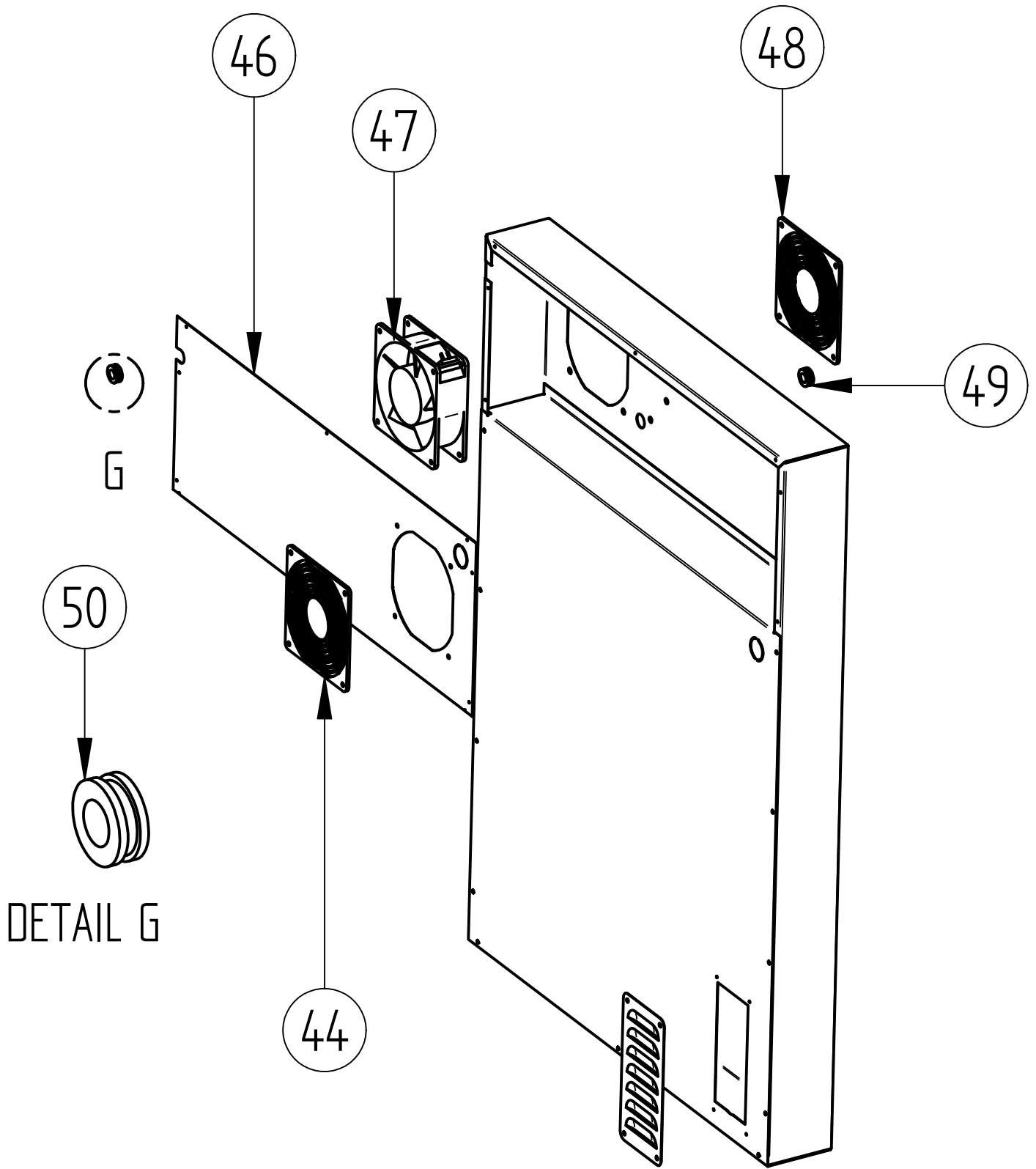


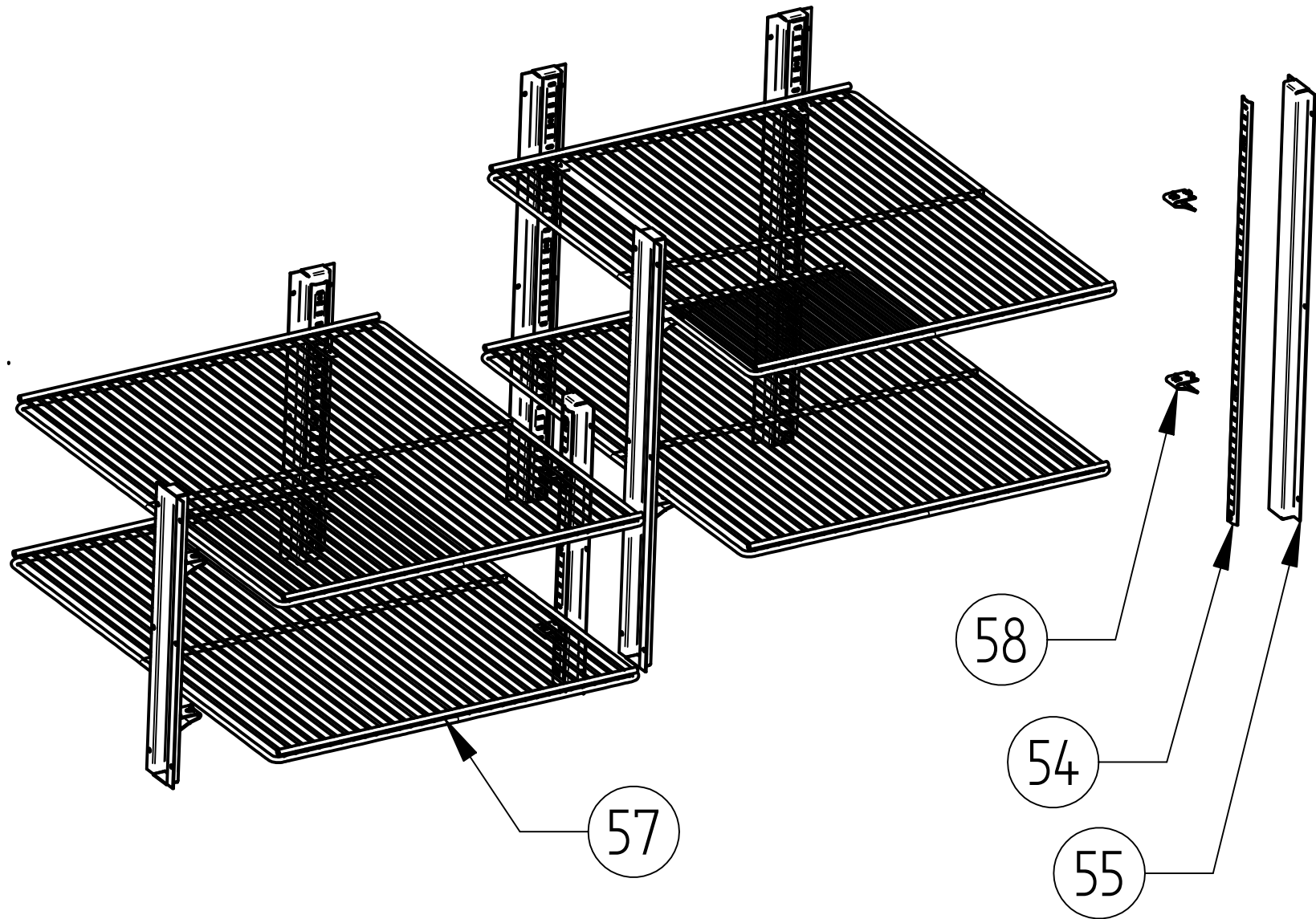


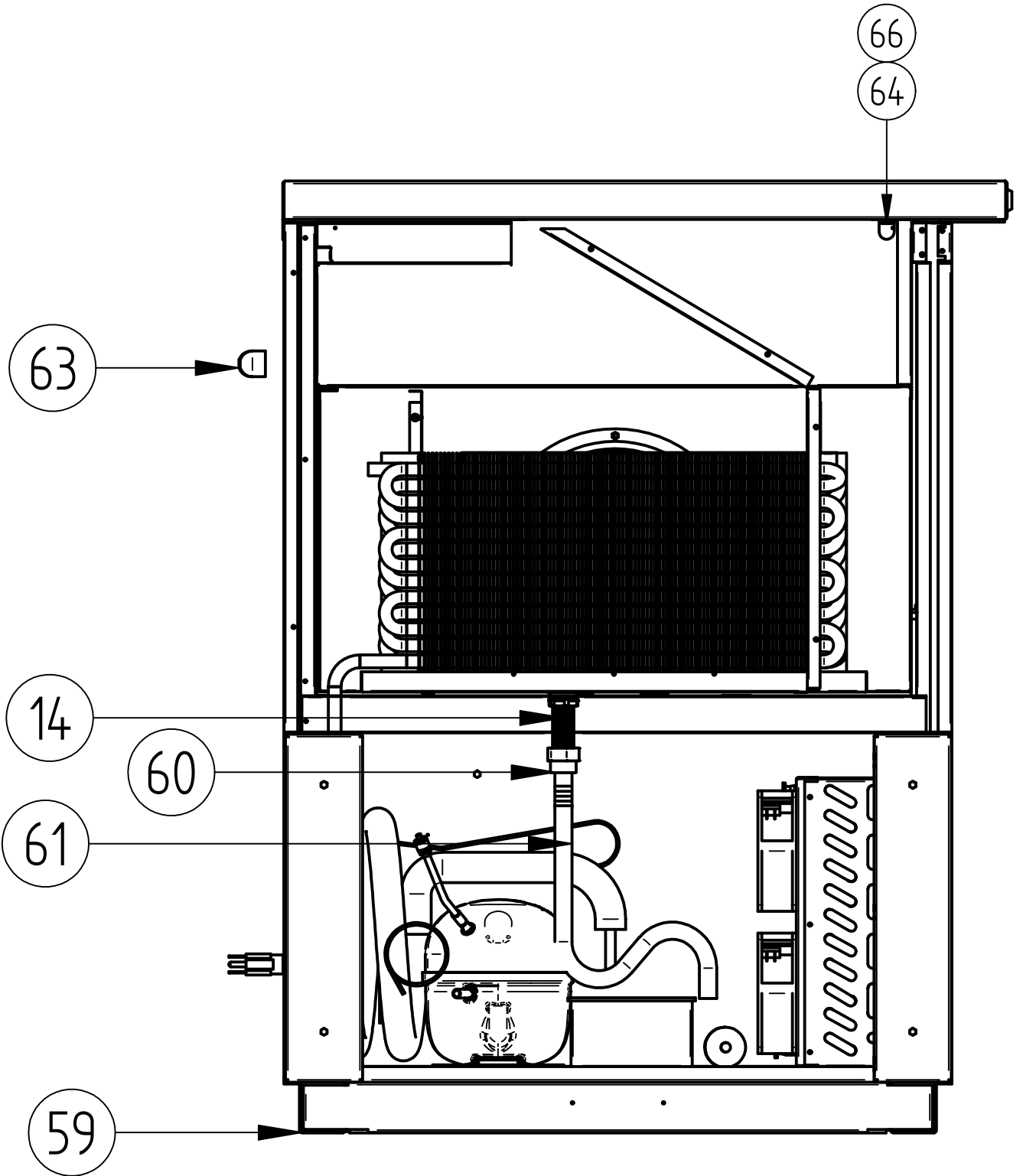


F

DETAIL F









| # ITEM | CODECÓDIGO | DESCRIPTION | DESCRIPCIÓN | BB-59-DT | BB-59 S-DT | BB-59 G-DT | BB-59 SG-DT |
|--|--------------------|----------------------------|--------------------------------|----------|------------|------------|-------------|
| Condensing Units / Unidades de Condensación | | | | | | | |
| | M17301M0045 | CONDENSING UNIT | UNIDAD CONDENSACION | 1 | 1 | 1 | 1 |
| 2 | M10917M0800 | DECK | BANCADA | 1 | 1 | 1 | 1 |
| 3 | 602101M0096 | COMPRESSOR 115V | COMPRESOR 115V | 1 | 1 | 1 | 1 |
| | 602101M0103 | START KIT | KIT ARRANQUE | 1 | 1 | 1 | 1 |
| 4 | 602902M0009 | CONDENSER | CONDENSADOR | 1 | 1 | 1 | 1 |
| 5 | 604701M0005 | FILTER | FILTRO | 1 | 1 | 1 | 1 |
| 6 | 600701M0031 | HEAT EXCHANGER | INTERCAMBIADOR | 1 | 1 | 1 | 1 |
| 7 | 6003010023 | AUTOMATIC EVAPORATION TRAY | BANDEJA EVAPORACION AUTOMÁTICA | 1 | 1 | 1 | 1 |
| 8 | 6021050020 | FAN | VENTILADOR | 1 | 1 | 1 | 1 |
| 9 | 602139M0008 | POWER CORD (SPIDER HUB) | CORDON TOMACORRIENTE | 1 | 1 | 1 | 1 |
| 10 | 6021310003 | SERVICE VALVE | VALVULA OBUS | 1 | 1 | 1 | 1 |
| 11 | M10917M0222 | FAN SUPPORT | SOPORTE VENTILADOR | 1 | 1 | 1 | 1 |
| Evaporation Units / Unidades de Evaporación | | | | | | | |
| | M17101M0068 | EVAPORATION UNIT | UNIDAD EVAPORACION | 1 | 1 | 1 | 1 |
| 12 | 602901M0009 | EVAPORATOR COIL | EVAPORADOR | 1 | 1 | 1 | 1 |
| 13 | M10905M0175 | DRAIN PAN | BANDEJA ESCURRIMIENTO | 1 | 1 | 1 | 1 |
| 14 | 6003010033 | DRAIN 1/2" | DESAGUE 1/2" | 1 | 1 | 1 | 1 |
| 15 | 6003010051 | PLASTIC SEAL | JUNTA PLASTICA | 1 | 1 | 1 | 1 |
| 16 | 600709M0003 | FAN SUPPORT | ARO CONDUCTO VENTILADOR | 1 | 1 | 1 | 1 |
| 17 | 602105M0003 | FAN | VENTILADOR 10W | 1 | 1 | 1 | 1 |
| 18 | 600305M0074 | BLADE | ASPA 8-28" | 1 | 1 | 1 | 1 |
| 19 | 603301M0156 | FAN BRACKET | SOPORTE VENTILADOR | 1 | 1 | 1 | 1 |
| 20 | 602713M0002 | FAN GRID | REJILLA VENTILADOR | 1 | 1 | 1 | 1 |
| 21 | M10917M0122 | TOP EVAPORATOR PANEL | PANEL SUPERIOR EVAPORADOR | 1 | 1 | 1 | 1 |
| 22 | 603301M0209 | DEFLECTOR | DEFLECTOR CURVO | 1 | 1 | 1 | 1 |
| 23 | 603301M0193 | FRONTAL EVAPORATOR PANEL | PANEL FRONTAL EVAPORADOR | 1 | 1 | 1 | 1 |
| 24 | 600301M0012 | PLASTIC SCREW | TORNILLO PLASTICO | 4 | 4 | 4 | 4 |
| 25 | 6003010082 | GROMMET | PASAHILOS | 1 | 1 | 1 | 1 |
| 26 | 600301M0034 | GROMMET | PASAMUROS | 2 | 2 | 2 | 2 |



| # ITEM | CODECÓDIGO | DESCRIPTION | DESCRIPCIÓN | BB-59-DT | BB-59 S-DT | BB-59 G-DT | BB-59 SG-DT |
|---|-------------|--------------------------|---|----------|------------|------------|-------------|
| Doors & Others / Puertas & Otros | | | | | | | |
| M16901M0150 | | DOOR KIT | ENSAMBLE DE PUERTAS | 1 | | | |
| 27 | M16901M0153 | LEFT DOOR | PUERTA IZQUIERDA | 1 | | | |
| 28 | 604501M0007 | GASKET | BURLETE | 1 | | | |
| 29 | 603301M0155 | BLACK HANDLE | JALADERA NEGRA | 1 | | | |
| 30 | 603301M0168 | LOCK STOP | TOPE CERRADURA | 1 | | | |
| 27 | M16901M0154 | RIGHT DOOR | PUERTA DERECHA | 1 | | | |
| 28 | 604501M0007 | GASKET | BURLETE | 1 | | | |
| 29 | 603301M0155 | BLACK HANDLE | JALADERA NEGRA | 1 | | | |
| 30 | 603301M0168 | LOCK STOP | TOPE CERRADURA | 1 | | | |
| M16901M0160 | | GLASS DOOR KIT | ENSAMBLE DE PUERTAS CRISTAL | | | | 1 |
| 27 | M16901M0250 | L/R DOOR | PUERTA /D | | | | 2 |
| 28 | 604501M0007 | GASKET | BURLETE | | | | 1 |
| 29 | 603301M0155 | BLACK HANDLE | JALADERA NEGRA | | | | 1 |
| 30 | 603301M0168 | LOCK STOP | TOPE CERRADURA | | | | 1 |
| M16901M0214 | | SS DOOR KIT | ENSAMBLE DE PUERTAS INOX | | | 1 | |
| 27 | M16901M0222 | LEFT DOOR | PUERTA IZQUIERDA | | | 1 | |
| 28 | 604501M0007 | GASKET | BURLETE | | | 1 | |
| 29 | M10913M0198 | INOX HANDLE | JALADERA INOXIDABLE | | | 1 | |
| 30 | 603301M0168 | LOCK STOP | TOPE CERRADURA | | | 1 | |
| 27 | M16901M0223 | RIGHT DOOR | PUERTA DERECHA | | | 1 | |
| 28 | 604501M0007 | GASKET | BURLETE | | | 1 | |
| 29 | M10913M0198 | INOX HANDLE | JALADERA INOXIDABLE | | | 1 | |
| 30 | 603301M0168 | LOCK STOP | TOPE CERRADURA | | | 1 | |
| M16901M0228 | | SS GLASS DOOR KIT | ENSAMBLE DE PUERTAS CRISTAL INOX | | | | 1 |
| 27 | M16901M0252 | L/R DOOR | PUERTA /D | | | | 2 |
| 28 | 604501M0007 | GASKET | BURLETE | | | | 1 |
| 29 | M10913M0198 | SS HANDLE | JALADERA INOX | | | | 1 |
| 30 | 603301M0168 | LOCK STOP | TOPE CERRADURA | | | | 1 |
| M16909M0019 | | LEFT HINGE KIT | CONJUNTO BISAGRAS IZQUIERDA | 1 | 1 | | |
| 31 | 603301M0119 | R/L HINGE | BISAGRA IZQ/DER | 1 | 1 | | |
| 32 | 603301M0107 | BOTTOM HINGE | BISAGRA INFERIOR | 1 | 1 | | |
| 33 | 600305M0133 | NYLON BUSHING | SEPARADOR PLASTICO | 1 | 1 | | |
| 34 | 603301M0117 | LEFT CARTRIDGE | CARTUCHO IZQUIERDO | 1 | 1 | | |
| M16909M0020 | | RIGHT HINGE KIT | CONJUNTO BISAGRAS DERECHA | 1 | 1 | | |
| 31 | 603301M0118 | R/L HINGE | BISAGRA IZQ/DER | 1 | 1 | | |
| 32 | 603301M0106 | BOTTOM HINGE | BISAGRA INFERIOR | 1 | 1 | | |
| 33 | 600305M0133 | NYLON SPACER | SEPARADOR PLASTICO | 1 | 1 | | |
| 35 | 603301M0116 | RIGHT CARTRIDGE | CARTUCHO DERECHO | 1 | 1 | | |
| M16909M0026 | | HINGE KIT | CONJUNTO BISAGRAS | | | 2 | 2 |
| 31 | 603301M0118 | R/L HINGE | BISAGRA IZQ/DER | | | 1 | 1 |
| | 603301M0119 | R/L HINGE | BISAGRA IZQ/DER | | | 1 | 1 |
| 34 | 603301M0116 | RIGHT CARTRIDGE | CARTUCHO DERECHO | | | 1 | 1 |
| 35 | 603301M0117 | LEFT CARTRIDGE | CARTUCHO IZQUIERDO | | | 1 | 1 |



| # ITEM | CODECÓDIGO | DESCRIPTION | DESCRIPCIÓN | BB-59-DT | BB-59 S-DT | BB-59 G-DT | BB-59 SG-DT |
|--|-------------|-------------------------|------------------------------|----------|------------|------------|-------------|
| Controllers & Other / Controles & Otros | | | | | | | |
| 38 | 602135M0030 | CAREL CONTROLLER | CONTROL CAREL AZUL | 1 | 1 | 1 | 1 |
| 39 | 602135M0024 | CAREL CONTROLLER | CONTROL CAREL ROJO | 1 | 1 | 1 | 1 |
| 40 | 6021130002 | LIGHT SWITCH | INTERRUPTOR ILUMINACION | 1 | 1 | 1 | 1 |
| Top Panel /Encimera | | | | | | | |
| 41 | M18101M0123 | TOP ASSEMBLY 59" | ENCIMERA 59" | 1 | 1 | 1 | 1 |
| 42 | 603301M0056 | LOCK | CERRADURA | 1 | 1 | 1 | 1 |
| 43 | 603317M0002 | FAGOR PLATE | PLACA FAGOR | 1 | 1 | 1 | 1 |
| Divider Panel /Panel Divisor | | | | | | | |
| M16113M0003 DIVER PANEL ASSEMBLY 58" ENSAMBLE PANEL DIVISOR 58" | | | | 1 | 1 | 1 | 1 |
| 45 | M10917M0843 | SIDE DIVIER TOP | DIVISOR LATERAL SUPERIOR | 1 | 1 | 1 | 1 |
| 46 | M10917M0845 | SIDE COVER TOP | TAPA LATERAL SUPERIOR | 1 | 1 | 1 | 1 |
| 47 | 6021050020 | FAN | VENTILADOR | 1 | 1 | 1 | 1 |
| 48 | 600305M0120 | FAN GRID | FAN GRID | 2 | 2 | 2 | 2 |
| 49 | 6003010082 | GROMMET | PASAHILOS | 1 | 1 | 1 | 1 |
| 50 | 600305M0132 | GROMMET | MEMBRANA | 4 | 4 | 4 | 4 |
| Panels /Rejillas | | | | | | | |
| 51 | M10917M0549 | FRONTAL PANEL | REJILLA FRONTAL | 1 | 1 | | |
| | M10913M0732 | INOX FRONTAL PANEL | REJILLA FRONTAL INOXIDABLE | | 1 | | 1 |
| 52 | M10917M0567 | SIDE PANEL | REJILLA LATERAL | 1 | 1 | | |
| | M10913M0613 | INOX SIDE PANEL | REJILLA LATERAL INOXIDABLE | | 1 | | 1 |
| 53 | M10917M0133 | BACK PANEL | REJILLA POSTERIOR | 1 | 1 | 1 | 1 |
| Shelves /Parrilas | | | | | | | |
| 54 | 603305M0030 | PILLASTER 20.2' | PILASTER 20.2" | 8 | 8 | 8 | 8 |
| 55 | M10917M0846 | PILLASTER SUPPORT | SOPORTE PILASTER | 8 | 8 | 8 | 8 |
| 56 | M10917M0847 | SIDE PILLASTER SUPPORT | SOPORTE PILASTER COMPLEMENTO | 1 | 1 | 1 | 1 |
| 57 | 602701M0019 | FLAT RACK | PARRILLA PLANA | 4 | 4 | 4 | 4 |
| 58 | 603301M0005 | STAINLESS STEEL CLIP | CLIP SS ACERO INOXIDABLE | 16 | 16 | 16 | 16 |
| Chasis | | | | | | | |
| 59 | 603705M0013 | BLACK SIDE CHASIS PANEL | FECHAMIENTO CHASIS | 2 | 2 | 2 | 2 |
| Drain /Drenaje | | | | | | | |
| 60 | 600717M0011 | ADAPTER HOSE COUPLING | COPELE HEMBRA 1/2"+ ESPIGA | 1 | 1 | 1 | 1 |
| 61 | 600717M0070 | DRAIN HOSE | MANGUERA DESAGUE RIGIDA | 1 | 1 | 1 | 1 |
| Others /Otros | | | | | | | |
| 62 | 602101M0081 | RELAY | RELEVADOR | 1 | 1 | 1 | 1 |
| 63 | 600301M0011 | PLASTIC BUMPER | TOPE HULE | 2 | 2 | 2 | 2 |
| M17501M0007 LIGHT KIT KIT ILUMINACION | | | | 1 | 1 | 1 | 1 |
| 64 | 602129M0051 | LED LAMP | LAMPARA LED | 2 | 2 | 2 | 2 |
| 65 | 602129M0023 | DRIVER | DRIVER | 1 | 1 | 1 | 1 |
| 66 | M10917M0824 | SUPPORT LAMP | SOPORTE LAMPARA | 2 | 2 | 2 | 2 |

FAGOR



CUSTOMER SERVICE

Fagor Commercial, Inc.
13105NW 47thAve
Miami, FL 33054
Tel:(305) 7790170
Fax:(305)7790173
1-866-463-2467
www.Fagorcommercial.com

Circuito Exportación N° 201
Parque Industrial Tres Naciones
San Luis Potosí, S.L.P. México
C.P. 78395
Planta S.L.P.: + 52 (444) 137 0500
México D.F.: + 52 (55) 5082 5825

SERVICIO TECNICO