

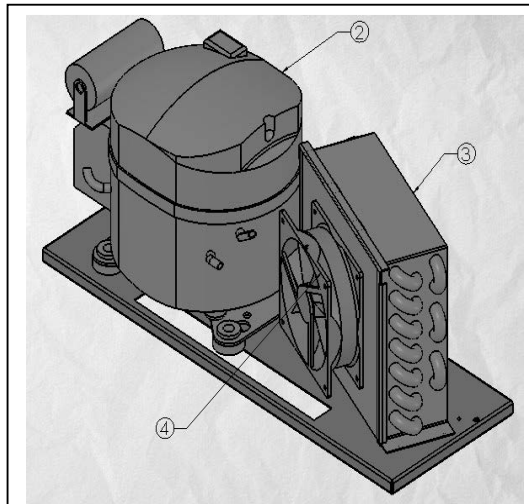
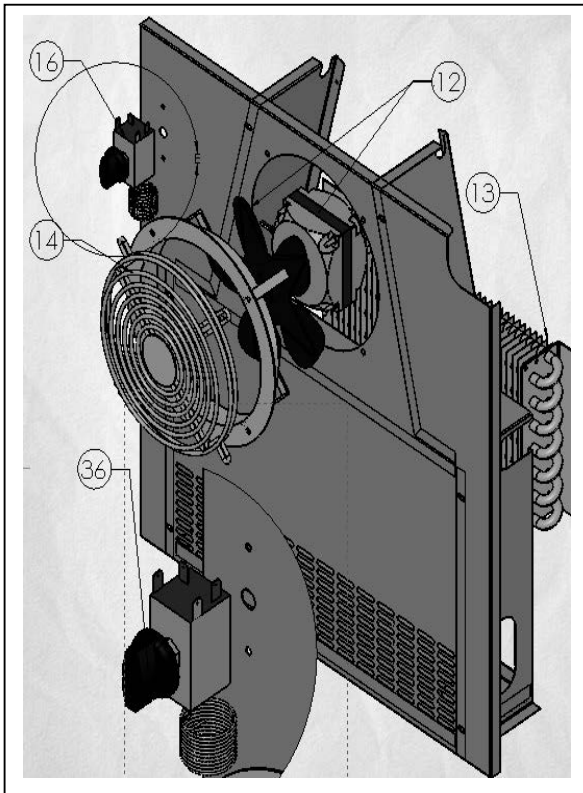


PRO-LINE BAR EQUIPMENT:
DIRECT DRAW BEER DISPENSERS
BACK BAR STORAGE

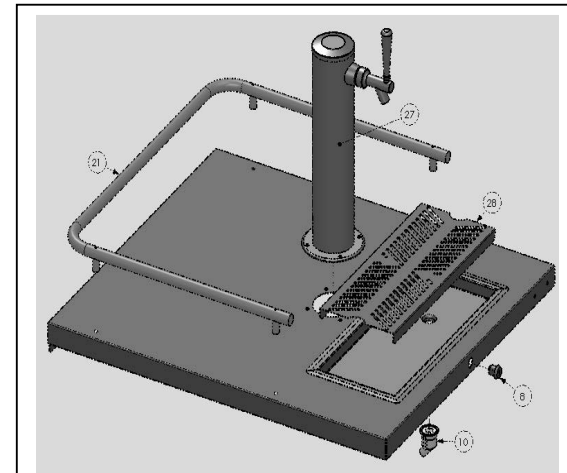
Part Listing



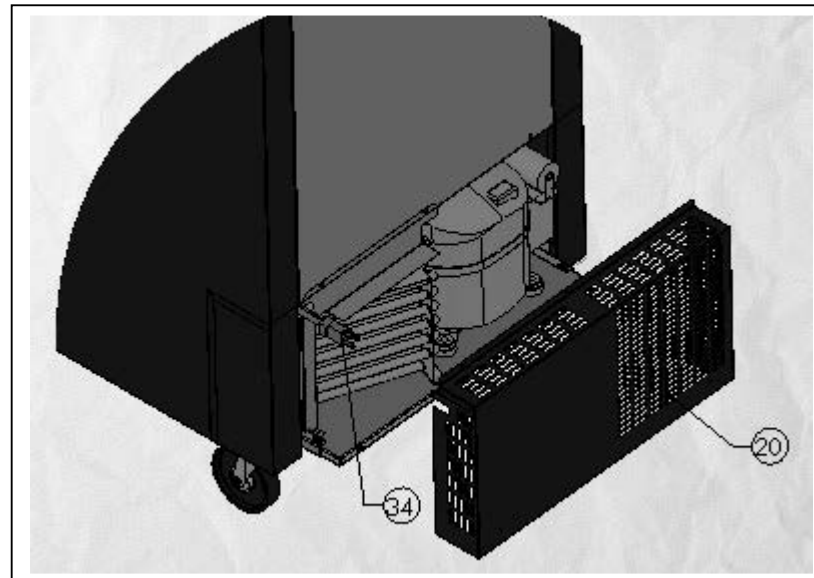
PRO-LINE BAR EQUIPMENT OPERATION & SERVICE MANUAL



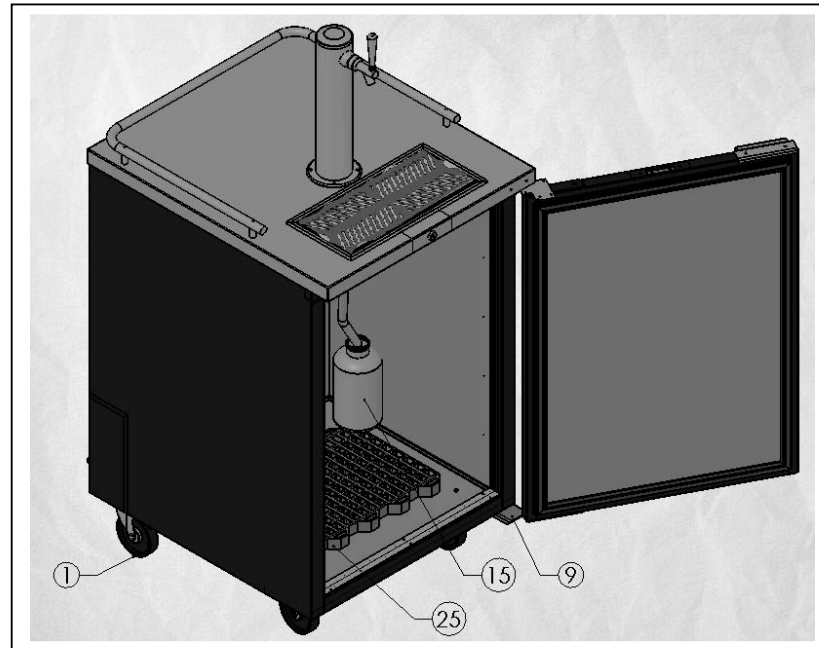
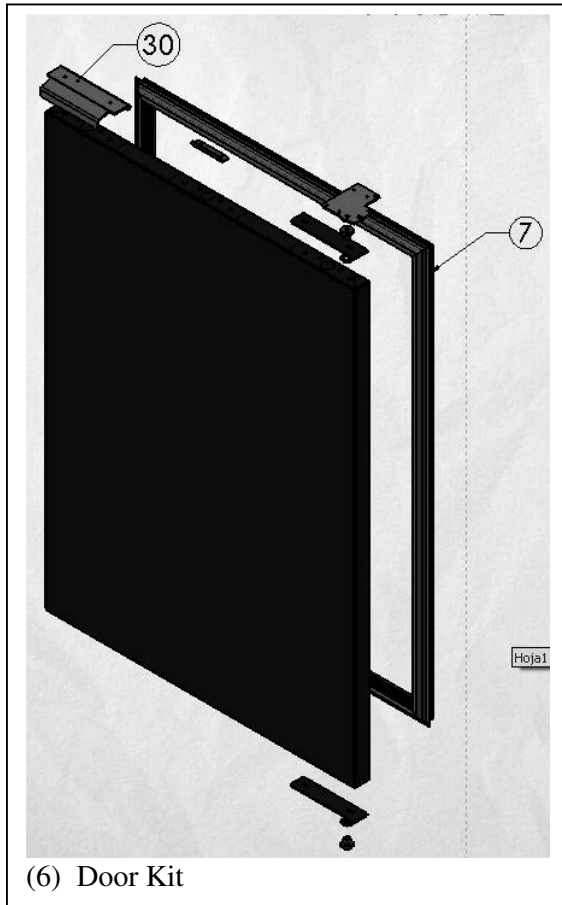
(5) Condensing Unit



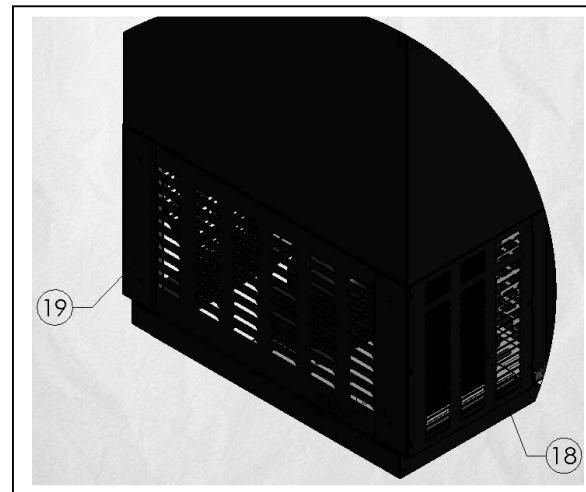
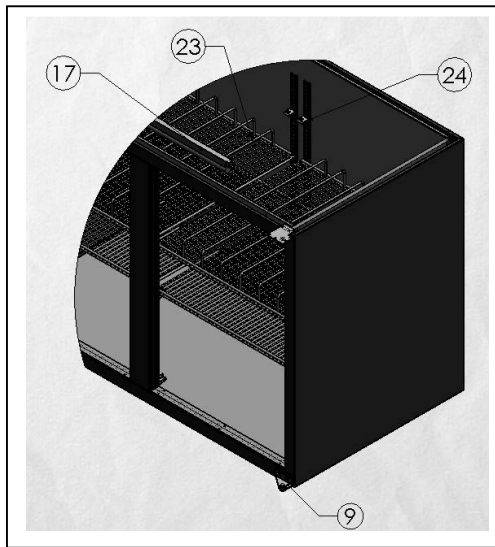
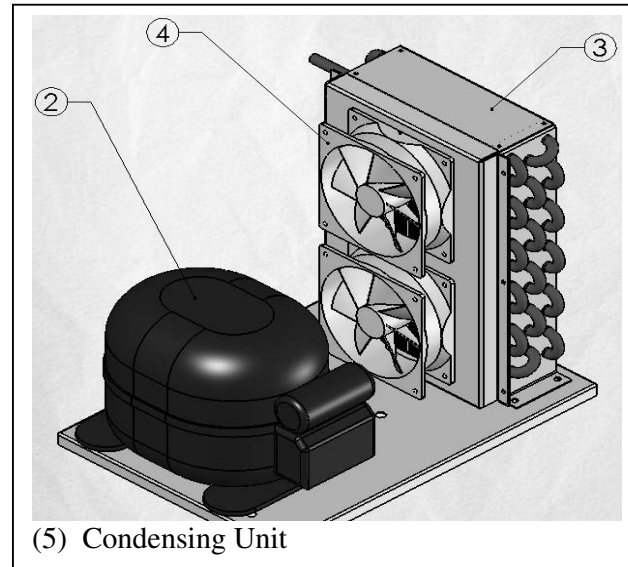
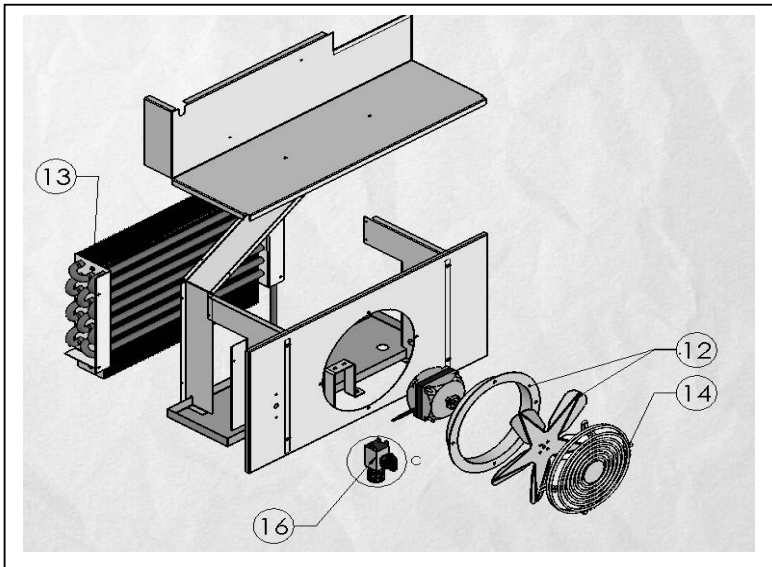
(26) Top Undercounters 24



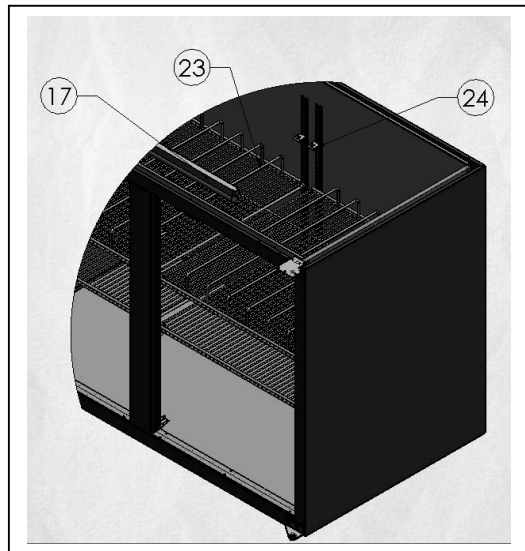
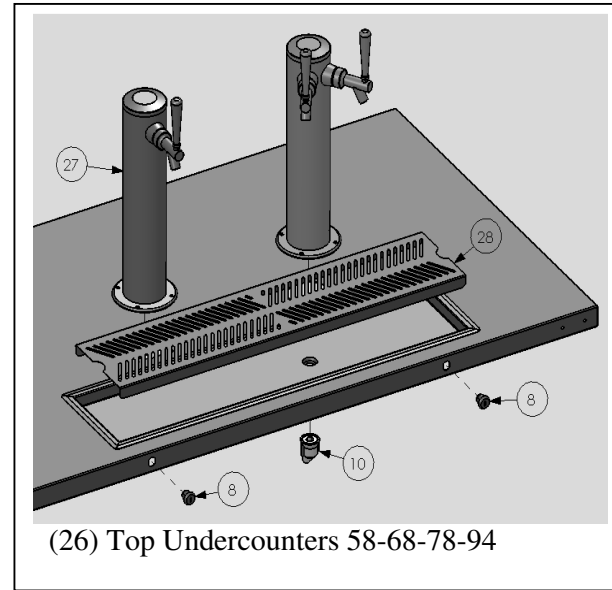
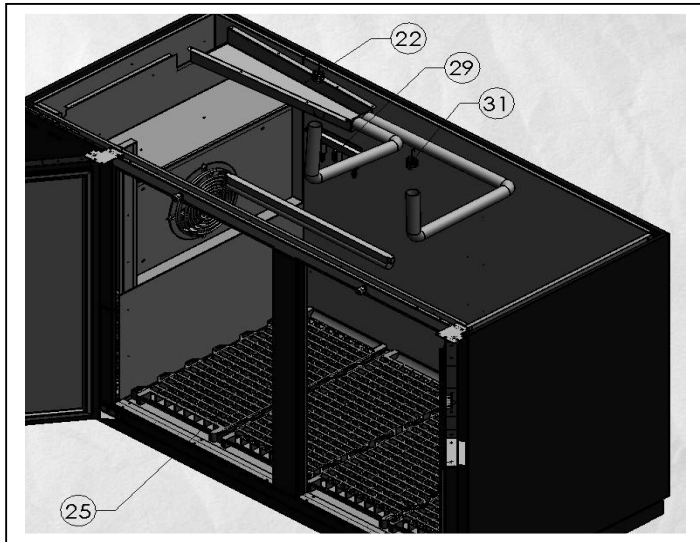
PRO-LINE BAR EQUIPMENT OPERATION & SERVICE MANUAL



PRO-LINE BAR EQUIPMENT OPERATION & SERVICE MANUAL



PRO-LINE BAR EQUIPMENT OPERATION & SERVICE MANUAL



PRO-LINE BAR EQUIPMENT OPERATION & SERVICE MANUAL

ITEM	PART #	DESCRIPTION	DATE		FBB				FBB-S				FBB-G				FBB-SG				FDD					FDD-S							
			Expira tion	Effecti ve	58	68	78	94	58	68	78	94	58	68	78	94	58	68	78	94	23	23 GR	58	68	78	94	23	23 GR	58	68	78	94	
6	<i>Doors & Others</i>																																
	M16901M0091	Black Door Kit	Aug-11	Apr-09	2	2	2	3															2	2	2	3							
	M16901M0153	Black Left Door Kit		Aug-11	1	1		1															1	1		1							
	M16901M0154	Black Right Door Kit		Aug-11	1	1	2	2														1	1	1	1	2	2						
	M16901M0115	SS Door Kit	Aug-11	Apr-09					2	2	2	3																2	2	2	3		
	M16901M0222	SS Left Door Kit		Aug-11					1	1		1																1	1		1		
	M16901M0223	SS Right Door Kit		Aug-11					1	1	2	2															1	1	1	1	2	2	
	M16901M0071	Black Door Kit	Aug-11				1																		1								
	M16901M0155	Black Door Kit		Aug-11			1																		1								
	M16901M0082	SS Door Kit	Aug-11								1																				1		
	M16901M0224	SS Door Kit		Aug-11							1																				1		
	M16901M0062	SS Glass Door Kit	Aug-11	Apr-09												2	2	2	3														
	M16901M0158	Glass SS Door Kit	Jul-12	Aug-11												2	2	2	3														
	M16901M0252	Glass SS Door Kit		Jul-12												2	2	2	3														
	M16901M0061	Glass Black Door Kit	Aug-11	Apr-09									2	2	2	3																	
	M16901M0156	Glass Black Door Kit	Jul-12										2	2	2	3																	
	M16901M0250	Glass Black Door Kit		Jul-12									2	2	2	3																	
	M16901M0085	Glass Black Door Kit	Aug-11	Apr-09											1																		
	M16901M0157	Glass Black Door Kit	Aug-11												1																		
	M16901M0251	Glass Black Door Kit		Jul-12											1																		
	M16901M0147	Glass SS Door Kit	Aug-11	Apr-09																					1								
	M16901M0159	Glass SS Door Kit	Jul-12	Aug-11																					1								
	M16901M0253	Glass SS Door Kit		Jul-12																					1								
	M16901M0044	Black Door Kit	Aug-11	Apr-08																			1	1									
	M16901M0048	SS Door Kit	Aug-11	Apr-08																							1	1					
600305M0036	Door Spacer large spacer	Aug-11																															
600305M0133	Door Spacer		Aug-11	2	2	3	3	2	2	3	3											1	1	2	2	3	3	1	1	2	2	3	3
600305M0108	Door Square spacer		Aug-11																			1	1					1	1				

PRO-LINE BAR EQUIPMENT OPERATION & SERVICE MANUAL

For Customer Service: Call 1-866-GO FAGOR – www.fagorcommercial.com

PRO-LINE BAR EQUIPMENT OPERATION & SERVICE MANUAL

ITEM	PART #	DESCRIPTION	DATE		FBB				FBB-S				FBB-G				FBB-SG				FDD					FDD-S						
			Expira tion	Effecti ve	58	68	78	94	58	68	78	94	58	68	78	94	58	68	78	94	23	23 GR	58	68	78	94	23	23 GR	58	68	78	94
7	604501M0008	Door Gasket					1				1				1				1				1									1
	604501M0007	Door Gasket			2	2	2	3	2	2	2	3	2	2	2	3	2	2	2	3	1	1	2	2	2	3	1	1	2	2	2	3
8	603301M0056	Lock (Master key)		Aug-09	2	2	3	3	2	2	3	3	2	2	3	3	2	2	3	3	1	1	2	2	3	3	1	1	2	2	3	3
9	M16909M0007	Letf Lower Hinge Kit	Aug-11	Apr-09	1	1	1	1	1	1	1	1	1	1	1	1	1	1	1			1	1	1	1			1	1	1	1	
	M16909M0006	Right Lower Hinge Kit	Aug-11	Apr-09	1	1	2	2	1	1	2	2	1	1	2	2	1	1	2	2			1	1	2	2			1	1	2	2
	M16909M0009	Right Lower Hinge Kit	Aug-11																	1	1					1	1					
	M16909M0027	Hinge kit	Aug-12	Aug-11	2	2	3	3	2	2	3	3	2	2	3	3	2	2	3	3			2	2	3	3			2	2	3	3
	M16909M0019	Left Self-Closing Hinge Kit	Aug-12	Aug-12	1	1	1	1	1	1	1	1											1	1	1	1			1	1	1	1
	M16909M0020	Right Self-Closing Hinge Kit	Aug-12	Aug-12	1	1	1	1	1	1	1	1											1	1	1	1			1	1	1	1
	M16909M0021	Right Self-Closing Hinge Kit w/stop center		Aug-12			1	1			1	1												1	1					1	1	
	M16909M0023	Right Hinge Kit		Aug-12																1	1					1	1					
	M16909M0026	Sel Closing Hinge Kit for Glass door		Aug-12	2	2	2	2	2	2	2	2	2	2	2	2	2	2	2	2			2	2	2	2			2	2	2	2
	M16909M0028	Right Self-Closing Hinge Kit w/stop		Aug-12											1	1			1	1												
<i>Drain</i>																																
10	M10301M0001	Evaporator Drain Assembly	May-11																		1	1					1	1				
	6003010033	Evaporator Drain Assembly		May-11																	1	1					1	1				
	M10301M0002	Evaporator Drain Assembly	May-11		1	1	1	1	1	1	1	1	1	1	1	1	1	1	1			1	1	1	1			1	1	1	1	
	6003010062	Evaporator Drain Assembly		May-11	1	1	1	1	1	1	1	1	1	1	1	1	1	1	1			1	1	1	1			1	1	1	1	
	6003010023	Drain Pan			1	1	1	1	1	1	1	1	1	1	1	1	1	1	1	1	1	1	1	1	1	1	1	1	1	1	1	1
	600717M0008	Drain fitting																														
	6003010062	Drain Thread 3/4																														

PRO-LINE BAR EQUIPMENT OPERATION & SERVICE MANUAL

ITEM	PART #	DESCRIPTION	DATE		FBB				FBB-S				FBB-G				FBB-SG				FDD					FDD-S						
			Expira tion	Effecti ve	58	68	78	94	58	68	78	94	58	68	78	94	58	68	78	94	23	23 GR	58	68	78	94	23	23 GR	58	68	78	94
Evaporators & Others																																
12	602105M0001	Fan Evaporator																			1	1					1	1				
	602105M0003	Fan Evaporator			1	1	1	1	1	1	1	1	1	1	1	1	1	1	1	1			1	1	1	1			1	1	1	1
	602105M0015	Fan Evaporator 220V																			1	1					1	1				
	602105M0016	Fan Evaporator 220V			1	1	1	1	1	1	1	1	1	1	1	1	1	1	1	1			1	1	1	1			1	1	1	1
	602105M0009	Fan Blade Evaporator			1	1	1	1	1	1	1	1	1	1	1	1	1	1	1	1			1	1	1	1			1	1	1	1
	602105M0012	Fan Blade Evaporator																			1	1					1	1				
13	602901M0005	Evaporator Coil	Sep-09																		1	1					1	1				
	602901M0014	Evaporator Coil		Sep-09																	1	1					1	1				
	602901M0009	Evaporator Coil			1	1	1	1	1	1	1	1	1	1	1	1	1	1	1			1	1	1	1			1	1	1	1	
14	602713M0001	Grid Fan evaporator																			1	1					1	1				
	602713M0002	Grid Fan evaporator			1	1	1	1	1	1	1	1	1	1	1	1	1	1	1			1	1	1	1			1	1	1	1	
15	600717M0022	Drain bottle																			1	1					1	1				
Controllers																																
16	602109M0002	Thermostat	Jun-12		1	1	1	1	1	1	1	1	1	1	1	1	1	1	1	1	1	1	1	1	1	1	1	1	1	1	1	
	602109M0005	Thermostat		Jun-12	1	1	1	1	1	1	1	1	1	1	1	1	1	1	1	1	1	1	1	1	1	1	1	1	1	1	1	
	602135M0001	Thermometer Analog	Jun-09		1	1	1	1	1	1	1	1	1	1	1	1	1	1	1	1	1	1	1	1	1	1	1	1	1	1	1	
Lighting																																
17	602129M0016	Light 3 Pin Connector 18 3/4" (Bulb Length)		Dec-09	2	2	2	3	2	2	2	3	2	2	2	3	2	2	2	3			2	2	2	3			2	2	2	3
	602129M0016	Light 2 Pin Connector 18 1/2" (Bulb Length)		Dec-09	1	1	1	1	1	1	1	1	2	2	2	3	2	2	2	3			1	1	1	1			1	1	1	1

PRO-LINE BAR EQUIPMENT OPERATION & SERVICE MANUAL

ITEM	PART #	DESCRIPTION	DATE		FBB				FBB-S				FBB-G				FBB-SG				FDD					FDD-S							
			Expira tion	Effecti ve	58	68	78	94	58	68	78	94	58	68	78	94	58	68	78	94	23	23 GR	58	68	78	94	23	23 GR	58	68	78	94	
Panels																																	
18	M10917M0113	Bottom panel	Jun-08		1	1	1	1					1	1	1	1						1	1	1	1								
	M10917M0230	Bottom panel	Dec-09	Jun-08	1	1	1	1					1	1	1	1						1	1	1	1								
	M10917M0402	Bottom panel	Jul-12	Dec-09	1	1	1	1					1	1	1	1						1	1	1	1								
	M10917M0558	Bottom panel		Jul-12	1	1	1	1					1	1	1	1						1	1	1	1								
	M10913M0180	Bottom panel	Jun-08						1	1	1	1					1	1	1	1									1	1	1	1	
	M10913M0211	Bottom panel	Dec-09	Jun-08					1	1	1	1					1	1	1	1									1	1	1	1	
	M10913M0353	Bottom panel	Jul-12	Dec-09					1	1	1	1					1	1	1	1									1	1	1	1	
M10913M0612	Bottom panel		Jul-12					1	1	1	1					1	1	1	1									1	1	1	1		
19	M10917M0099	Side Panel	Nov-11		1	1	1	1					1	1	1	1						1	1	1	1								
	M10917M0567	Side Panel		Nov-11	1	1	1	1					1	1	1	1						1	1	1	1								
	M10913M0174	Side Panel	Nov-11					1	1	1	1					1	1	1	1									1	1	1	1		
	M10913M0613	Side Panel		Nov-11				1	1	1	1					1	1	1	1									1	1	1	1		
20	M10917M0133	Back Panel			1	1	1	1	1	1	1	1	1	1	1	1	1	1	1			1	1	1	1			1	1	1	1		
	M10913M0189	Back Panel	Aug-08					1	1	1	1					1	1	1	1									1	1	1	1		
	M10917M0164	Back Panel																		1	1												
	M10913M0169	Back Panel																								1	1						
21	603305M0004	Handrail																		1	1						1	1					
	603305M0005	Separator handrail																		4	4						4	4					
22	M10925M0193	Conduction of air for tower	May-10																			2	2	2	2			2	2	2	2		
	M10925M0195	Terminal of conduction for tower	May-10																			1	1	1	1			1	1	1	1		
	M10917M0410	Conduction of air for tower		May-10																		1	1	1	1			1	1	1	1		
	600717M0019	Hose Air Tower	Sep-10																		1	1	2	2	2		1	1	2	2	2		
	600717M0067	Hose Air Tower		Sep-10																	1	1	2	2	2	2	1	1	2	2	2	2	
	600717M0060	Hose Air Tower	Sep-10																						2							2	
Racks																																	
23	602701M0010	Rack Flat 58 & Rack 78 Right			2		1		2		1		2		1		2		1														
	602701M0011	Rack w/ guides 58" & Rack 78" Right			2		1		2		1		2		1		2		1														

PRO-LINE BAR EQUIPMENT OPERATION & SERVICE MANUAL

For Customer Service: Call 1-866-GO FAGOR – www.fagorcommercial.com

PRO-LINE BAR EQUIPMENT OPERATION & SERVICE MANUAL

ITEM	PART #	DESCRIPTION	DATE		FBB				FBB-S				FBB-G				FBB-SG				FDD								FDD-S															
			Expira tion	Effecti ve	58	68	78	94	58	68	78	94	58	68	78	94	58	68	78	94	23	<u>23</u> GR	58	68	78	94	23	<u>23</u> GR	58	68	78	94												
23	602701M0012	Rack Flat 68"				2					2				2																													
	602701M0013	Rack w/ guides 68"				2					2				2																													
	602701M0014	Rack Flat 94" (All)							2				2																															
	602701M0015	(Right / Left)							2				2																															
	602701M0016	(Center)							2				2																															
	602701M0017	Rack Flat 78" (Center)																																										
	602701M0018	Rack w/ guides 78" (Center)																																										
	602701M0019	Rack Flat 78" Left																																										
	602701M0020	Rack w/ guides 78" left																																										
	24	603301M0005	Shelf Support Clip			16	16	24	24	16	16	24	24	16	16	24	24	16	16	24	24																							
M10713M0004		Shelf support			8	8	12	12	8	8	12	12	8	8	12	12	8	8	12	12																								
25	M10905M0195	Protector bottom	Abr-09																																									
	M10905M0202	Protector bottom	Dic-09																																									
	M10917M0237	Protector bottom	Abr-09																																									
	M10905M0176	Protector bottom	Abr-09																																									
	M10917M0287	Protector bottom	Dic-09																																									
	M10917M0288	Protector bottom	Dicr-09																																									
	600301M0032	Plastic Bottom Protector		Dec-09																																								
	M10305M0010	Plastic Bottom Protector		Dec-09																																								
	M10305M0011	Plastic Bottom Protector	Sep-11	Dec-09																																								
	M10305M0012	Plastic Bottom Protector		Sep-11																																								
M10305M0013	Plastic Bottom Protector		See-11																																									
<i>Tops Undercounters</i>																																												
26	M18101M0094	Top FDD/MDD 95-94																																										
	M18101M0152	Top MDD-78																																										
	M18101M0124	Top FDD/MDD 69-68																																										
	M18101M0122	Top FDD/MDD 59-58																																										
	M18101M0120	Top FDD/MDD 23																																										
	M18101M0115	Top FBB/MBB 95-94																																										
	M18101M0153	Top FBB/MBB 79-78																																										
	M18101M0127	Top FBB/MBB 69-68																																										
M18101M0123	Top FBB/MBB 59-58																																											

PRO-LINE BAR EQUIPMENT OPERATION & SERVICE MANUAL

For Customer Service: Call 1-866-GO FAGOR – www.fagorcommercial.com

PRO-LINE BAR EQUIPMENT OPERATION & SERVICE MANUAL

ITEM	PART #	DESCRIPTION	DATE		FBB				FBB-S				FBB-G				FBB-SG				FDD					FDD-S								
			Expira	Effecti	58	68	78	94	58	68	78	94	58	68	78	94	58	68	78	94	23	23	58	68	78	94	23	23	58	68	78	94		
			tion	ve																	GR	GR					GR	GR						
<i>Draft Tower</i>																																		
27	604313M0003	Tower 1 Faucet																			1	1	1	1			1	1	1	1				
	604313M0004	Tower 2 Faucet																					1	1	2	2			1	1	2	2		
	600717M0013	Red Elbow																																
	600717M0011	Female connector 1/2"																																
	604305M0002	Drain fitting																																
28	M10901M0195	Grid cover for drain	Oct-09																		1	1					1	1						
	M10901M0183	Grid	Oct-09																				1	1		1			1	1			1	
	M10901M0309	Grid cover for drain	Apr-10																		1	1					1	1						
	M10901M0270	Grid	Apr-10																				1	1	1	1			1	1	1	1		
	M10901M0313	Grid cover GR	Aug-10																			1						1						
	M10901M0340	Grid cover GR		Aug-10																			1					1						
	M10901M0314	Grid	Aug-10	Apr-10																			1					1						
	M10901M0341	Grid		Aug-10																			1					1						
	M10901M0315	Grid	Aug-10	Apr-10																				1	1	1	1			1	1	1	1	
M10901M0342	Grid		Aug-10																				1	1	1	1			1	1	1	1		
<i>CO₂ Distributor</i>																																		
29	604313M0001	Air distributor 3 Ways																					1	1					1	1				
	604313M0002	Air distributor 4 Ways																							1	1					1	1		
<i>Handles</i>																																		
30	M10913M0195	Black Handle Door	Jun-11		2	2	3	3													1	1	2	2	3	3								
	M10917M0503	Black Handle Door	Jul-12		2	2	3	3				2	2	3	3						1	1	2	2	3	3								
	603301M0155	Black Handle Door		Jul-12	2	2	3	3				2	2	3	3						1	1	2	2	3	3								
	M10913M0196	SS Handle Door	Jun-11						2	2	3	3															1	1	2	2	3	3		
	M10913M0197	Handle for Black Glass Door		Jun-11									2	2	3	3																		
	M10913M0198	Handle for SS Glass Door		Jun-11					2	2	3	3							2	2	3	3					1	1	2	2	3	3		
	602509M0015	Screw for handle																																

PRO-LINE BAR EQUIPMENT OPERATION & SERVICE MANUAL

ITEM	PART #	DESCRIPTION	DATE		FBB				FBB-S				FBB-G				FBB-SG				FDD					FDD-S						
			Expira tion	Effecti ve	58	68	78	94	58	68	78	94	58	68	78	94	58	68	78	94	23	23 GR	58	68	78	94	23	23 GR	58	68	78	94
<i>Hardware</i>																																
31	602509M0018	Bolt Hex M.4 DOMO			12	12		18	12	12		18	12	12		18	12	12		18	6	6	12	12		18	6	6	12	12		18
	602505M0028	Bolt M6x45																			4	4	8	8		8	4	4	8	8		8
	602529M0004	Spring Hook																			1	1	2	2	2	2	1	1	2	2	2	2
	603301M0168	Door latch																														
33	604301M0002	Glass Rinse	Oct-09																		1	1	1	1	1		1	1	1	1	1	
	604301M0004	Glass Rinse		Oct-09																	1	1	1	1	1		1	1	1	1	1	
34	602145M0008	Power Cord w/Conections	Jul-12		1	1	1	1	1	1	1	1	1	1	1	1	1	1	1	1	1	1	1	1	1	1	1	1	1	1	1	1
	M12145M0001	Power Cord w/Conections		Jul-12	1	1	1	1	1	1	1	1	1	1	1	1	1	1	1	1	1	1	1	1	1	1	1	1	1	1	1	1
35	600301M0011	Bumper			2	2	2	2	2	2	2	2	2	2	2	2	2	2	2	2			2	2	2	2			2	2	2	2
36	602135M0014	Knob for Termostat			1	1	1	1	1	1	1	1	1	1	1	1	1	1	1	1	1	1	1	1	1	1	1	1	1	1	1	1
<i>Capillary Tubes</i>																																
37	M10702M0008	Cap. Bar 23" 0.42 X 9.5 FT																			1	1					1	1				
	M10702M0009	Cap Bar 58 0.054 X 5.9 FT			1	1	1	1	1	1	1	1	1	1	1	1	1	1	1	1			1	1	1	1					1	1