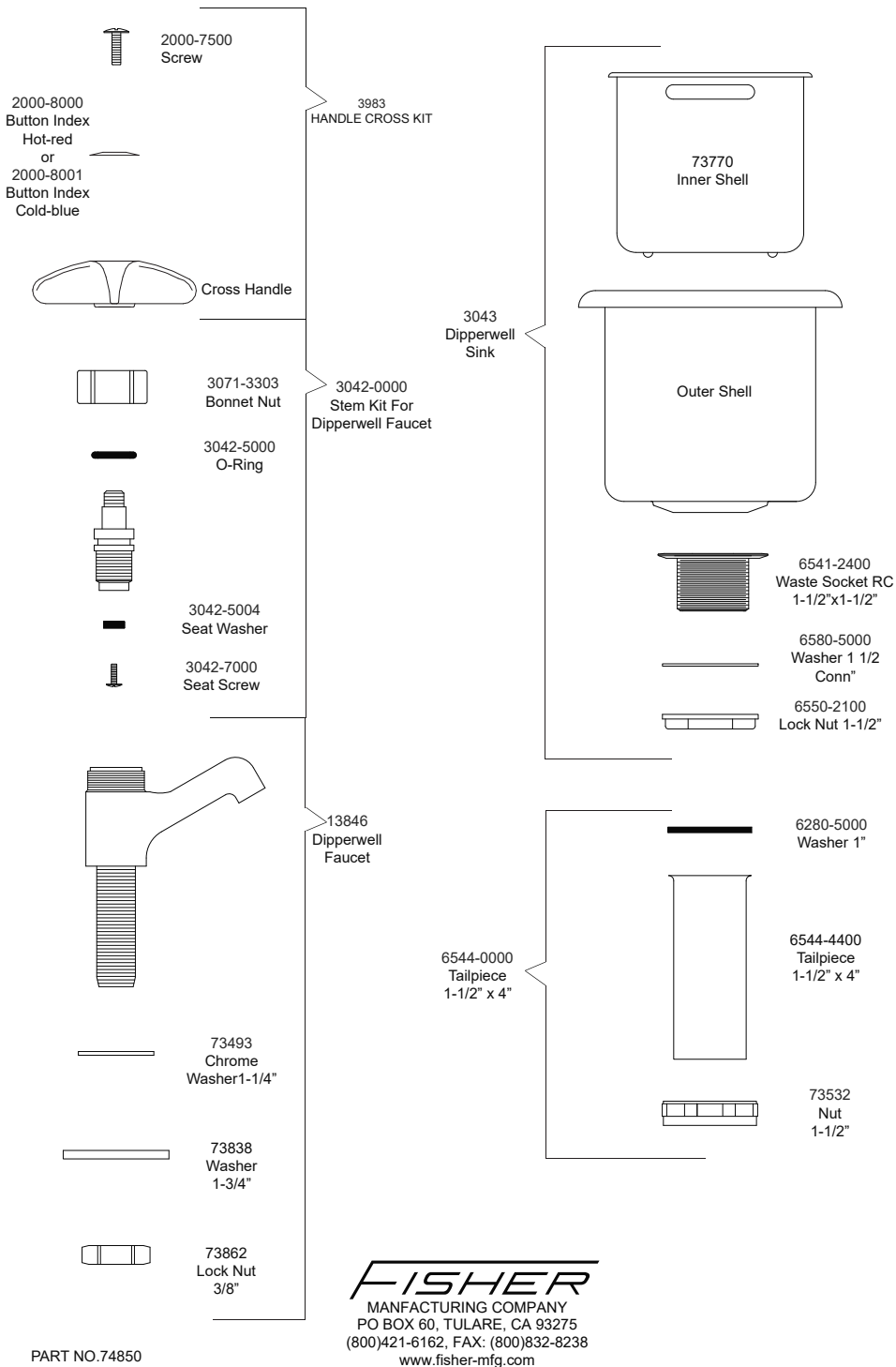


REPLACEMENT PARTS



PART NO.74850



SS Dipperwell Faucet and Accessories Product Installation Guide

Since 1936, Fisher Manufacturing Company has manufactured heavy-duty, high quality plumbing products and hardware specialties for the food service industry. For three generations, the Fisher family has adhered to a strict dedication of and overall value. When you install Fisher products... you install the best. Our hardware is manufactured with the standardization of internal mechanisms. All chrome plating is triple plated copper, nickel and chrome for durability. Every piece of equipment we make is rigorously tested in both our modern in-house testing center and in actual field situations under extreme conditions. Every detail is thoroughly checked. Before we make our products available to you, they pass each and every test. You get proven performance. Guaranteed.

Limited One Year Warranty

Fisher Manufacturing Company warrants its products and parts thereof (except as noted below) against defects in materials or workmanship for a period of one year after the date of original purchase. During this period Fisher Manufacturing Company will replace a defective product or part without charge to you, provided that the entire product is delivered to Fisher Manufacturing Company. All transportation and insurance charges for shipping the product to and from Fisher Manufacturing Company must be borne by you. Charges for transportation and insurance may, at the option of Fisher Manufacturing Company, be refunded depending upon our investigation of the warranty claim. This warranty does not cover external finish (except at date of original purchase) or labor costs not specifically authorized by Fisher Manufacturing Company.

A full and complete copy of our One Year limited warranty is available upon request.

⚠ Warning: This product can expose you to chemicals including Lead, Nickel (Metallic), Di(2-ethylhexyl) phthalate (DEHP) which are known to the State of California to cause cancer, and Lead. Di(2-ethylhexyl) phthalate (DEHP) which are known to the State of California to cause birth defects or reproductive harm. For more information go to:

www.P65Warnings.ca.gov.



- #13846 - FAUCET DIPPERWELL
- #3043 - BOWL DIPPERWELL AS
- #13838 - FAUCET DIPPERWELL SINK

KEEP THIS MANUAL FOR FUTURE REFERENCE



ANSI/A112.18.1M, ANSI/NSF 61.9

FISHER MANUFACTURING COMPANY • TOLL FREE: 800-421-6162 FAX: 800-832-8238

www.fisher-mfg.com

Installation Instructions for Dipperwell Faucet

BE SURE TO CHECK WITH YOUR LOCAL DEPARTMENT HAVING JURISDICTION REGARDING BACKFLOW PREVENTION

Installation Notes:

- Be sure to shut off water supply before beginning.
- Use pipe thread sealant such as PST on all threaded joints.
- Check the packaging for missing items BEFORE beginning installation. If items are missing, contact your supplier.

Tools Required for Installation

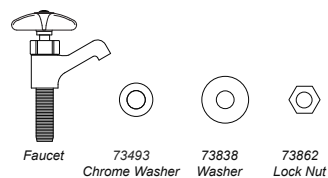
- Crescent Wrench
- Drain Wrench (Pipe Wrench can also be used)
- Pipe Thread Sealant (Plumbers Tape)
- Plumber's Putty



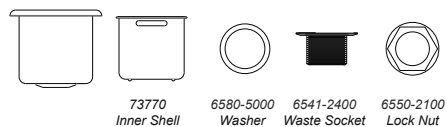
Package Contents

The box should contain the following:

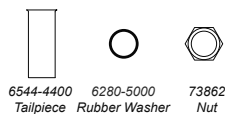
Model #3042 Should Contain:



Model #3043 Should Contain:



Model #3041 Should Contain all the items above and the items below:



Installation Instructions

Step 1. Unpack Unpacking items and checking for missing components. Verify that the rough-in holes are cut correctly and are spaced accordingly. (Figure 1)

Step 2. Faucet Installation
For **Model #3043** skip to Step 3.

- Slide the small washer onto the inlet nipple of the dipperwell faucet. (Figure 2)
- Insert nipple through the $\text{\O}11/16$ " rough-in hole through the deck. (Figure 2)
- Slide the large washer over the nipple and hold in place against the backside of the deck. (Figure 3)
- Thread the locknut onto the nipple against the large washer. Tighten with a crescent wrench.
- Using thread sealant, connect water supply with a supply line.

F. For Model #3042 ONLY:

F. Turn supply "on." Flush system and check for leaks. Your installation is complete! Please keep this manual for future reference.

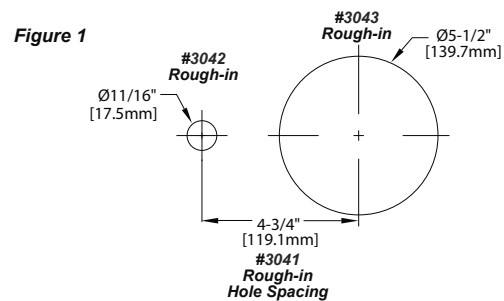
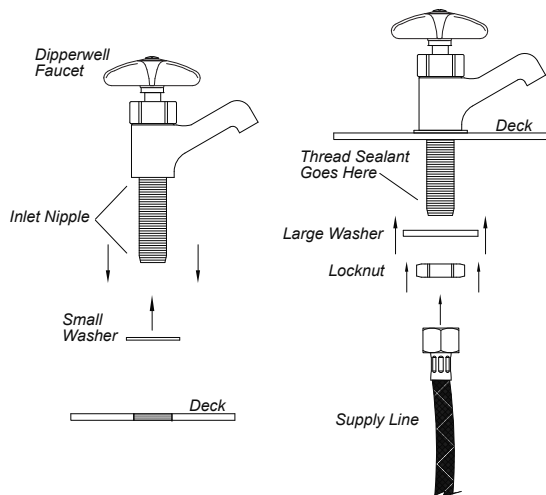


Figure 2

Figure 3



Installation Instructions for Dipperwell Sink

A. Remove the inner shell from the outer shell and place aside.

B. Press a bead of plumber's putty onto the inner lip of the waste socket. (Figure 4)

C. Insert the waste socket's threaded end into the bottom opening of the dipperwell sink. (Figure 4)

D. Slide the fiber gasket onto the waste socket's threads. Using a drain wrench, thread the locknut onto the waste socket (Figure 5)

Be Sure to tighten slowly, allowing the excess putty to squeeze out of the top.

e,f,g For Model #3041 ONLY.

E. Pre-assemble the tailpiece by sliding the 1-1/2" nut over the tailpiece tube threaded side first. (Figure 6)

F. Place the rubber washer onto the inlet of the tailpiece (inside of the nut).

G. Using a drain wrench, tighten the tailpiece onto the waste socket outlet. (Figure 7)

H. Insert the entire assembly into the 5-1/2" rough-in hole through the deck. (Figure 8)

I. Connect the sink outlet to the drain plumbing following proper plumbing codes and regulations.

J. Remove excess putty from the outer lip of the waste socket.

K. Insert the inner shell into the outer shell. Check faucet for clearance. Turn water supply on and check for leaks. (Figure 9)

Your installation is complete! Please keep this manual for future reference.

Figure 4

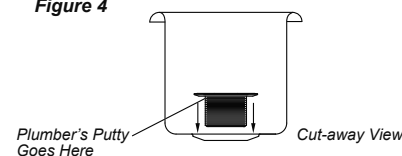


Figure 5

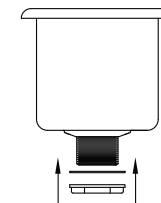


Figure 6

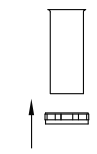


Figure 7

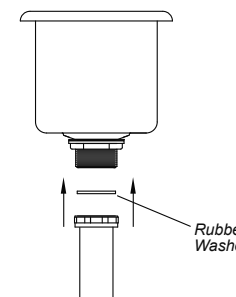


Figure 8

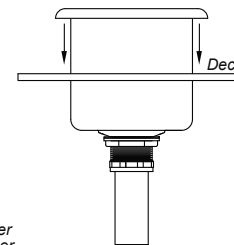
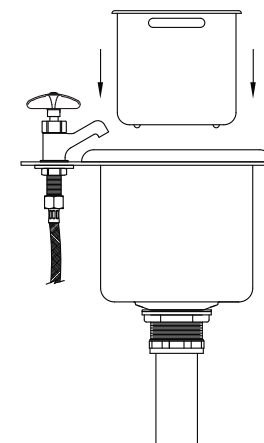


Figure 9*



* Tailpiece & Faucet Shown Model #3041 ONLY