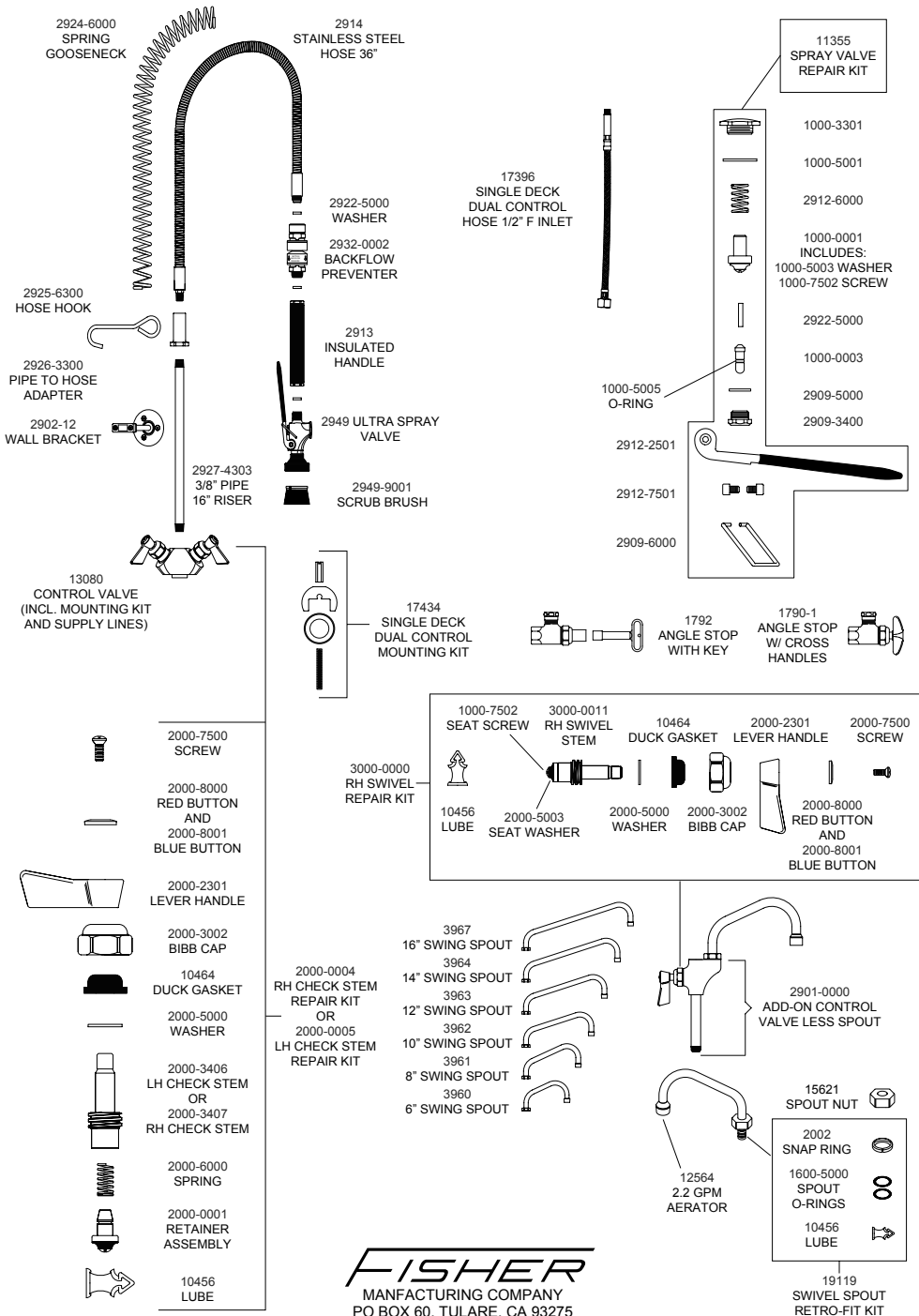


# Replacement Parts for Pre-Rinse Units



**FISHER**  
 MANUFACTURING COMPANY  
 PO BOX 60, TULARE, CA 93275  
 (800)421-6162, FAX: (800)832-8238  
 www.fisher-mfg.com



## Single Deck Dual Control Pre-Rinse Unit Product Installation Guide

Since 1936, Fisher Manufacturing Company has manufactured heavy-duty, high quality plumbing products and hardware specialties for the food service industry. For three generations, the Fisher family has adhered to a strict dedication of and overall value. When you install Fisher products... you install the best. Our hardware is manufactured with the standardization of internal mechanisms. All chrome plating is triple plated copper, nickel and chrome for durability. Every piece of equipment we make is rigorously tested in both our modern in-house testing center and in actual field situations under extreme conditions. Every detail is thoroughly checked. Before we make our products available to you, they pass each and every test. You get proven performance. Guaranteed.



### Limited One Year Warranty

Fisher Manufacturing Company warrants its products and parts thereof (except as noted below) against defects in materials or workmanship for a period of one year after the date of original purchase. During this period Fisher Manufacturing Company will replace a defective product or part without charge to you, provided that the entire product is delivered to Fisher Manufacturing Company. All transportation and insurance charges for shipping the product to and from Fisher Manufacturing Company must be borne by you. Charges for transportation and insurance may, at the option of Fisher Manufacturing Company, be refunded depending upon our investigation of the warranty claim. This warranty does not cover external finish (except at date of original purchase) or labor costs not specifically authorized by Fisher Manufacturing Company.

A full and complete copy of our One Year limited warranty is available upon request.

### WARNING:

*Proposition 65 requires that we provide you with the following notice:* "This product Contains A Chemical Known To The State Of California To Cause Birth Defects Or Other Reproductive Harm."

- #34169 - Pre-Rinse Unit: Single Deck Dual Control, Wall Bracket & Add-On Faucet with 6" Swing Spout
- #34177 - Pre-Rinse Unit: Single Deck Dual Control, Wall Bracket & Add-On Faucet with 8" Swing Spout
- #34185 - Pre-Rinse Unit: Single Deck Dual Control, Wall Bracket & Add-On Faucet with 10" Swing Spout
- #34193 - Pre-Rinse Unit: Single Deck Dual Control, Wall Bracket & Add-On Faucet with 12" Swing Spout
- #34207 - Pre-Rinse Unit: Single Deck Dual Control, Wall Bracket & Add-On Faucet with 14" Swing Spout
- #34215 - Pre-Rinse Unit: Single Deck Dual Control, Wall Bracket & Add-On Faucet with 16" Swing Spout

KEEP THIS MANUAL FOR FUTURE REFERENCE



ANSI/A112.18.1M, ANSI/NSF 61.9

# Installation Instructions for Pre-Rinse Units

BE SURE TO CHECK WITH YOUR LOCAL DEPARTMENT HAVING JURISDICTION REGARDING BACKFLOW PREVENTION

## Installation Notes:

- Be sure to shut off water supply before beginning.
- Use pipe thread sealant such as PST on all threaded joints.
- Check the packaging for missing items BEFORE beginning installation. If items are missing, contact your supplier.

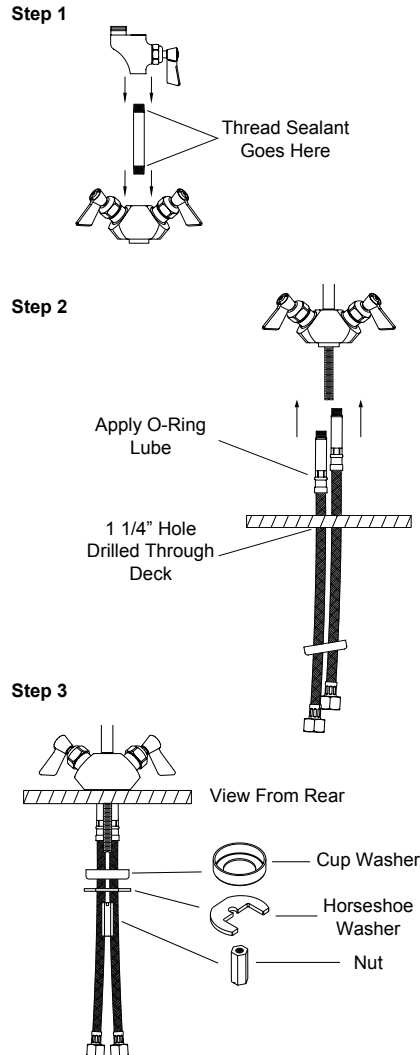
## Tools Required for Installation

- Medium Sized Crescent Wrench
- Pipe Thread Sealant
- Phillips Screwdriver
- 7/16" Drill Bit



## Installation Instructions

1. Mount the small riser to the control valve body using thread sealant. Thread the add-on faucet to the other end of the small riser, again using thread sealant.
2. Insert threaded shank into control valve body and tighten using screwdriver. Insert both hoses through cup washer and up through pre-drilled 1 1/4" hole in deck. Apply lube to o-rings and attach hoses securely to control valve body.
3. Lift up the cup washer to the underside of the deck and mount horseshoe washer onto threaded shank. Mount the nut to threaded shank and tighten until control valve is secure.
4. Mount the pipe to hose adapter to the enclosed riser using thread sealant. Mount the other end of the riser to the female outlet of the add-on body.
5. If no wall bracket is to be installed, proceed to Step 6, otherwise do the following:
  - a. Locate and drill a Ø7/16" hole in the wall directly behind and about 3/4 the way up the riser pipe.
  - b. Loosely attach the front and back of the pipe clamp onto the riser pipe.
  - c. Hold the wall bracket flange against the wall, centered with the hole. Use the wall screws and a screw driver to mount the flange to the wall.
  - d. Slide part, but not all, of the wall bracket rod non-threaded end first through the center hole of the flange and into the wall.
  - e. Align the rod with the pipe clamp and thread the rod into the pipe clamp. Be sure the rod is level by adjusting the pipe clamp position.
  - f. Once level, fix the rod in place by tightening both the set screw located in the flange and the pipe clamp screws.
6. Slip the hose hook over the pipe to hose adapter. Using thread sealant and a crescent wrench, thread the SS hose into the pipe to hose adapter.
7. Install gooseneck spring by slipping SS hose through the spring. Spring will fit over adapter which holds it in an upright position. Note: Be sure spring is installed as shown. DO NOT INSTALL SHORT BEND DOWN.
8. Fit one of the handle gaskets inside the outlet of the insulated handle and mount the spray valve onto it.



# Installation Instructions Continued

9. Fit the other handle gasket inside the inlet of the insulated handle and mount the handle onto the SS hose. If installing backflow preventer, attach it between the SS hose and insulated handle. Be sure that gaskets are used on both sides of the backflow preventer.
10. If installing a brush, do so by pressing brush into the bumper of the spray valve until secure.
11. To install swing spout to add-on faucet, apply lube to the o-rings on the swing spout. Make sure the white snap ring is in place before mounting the swing spout. Mount the swing spout and tighten the swing spout nut onto the add-on faucet spout outlet.
12. Turn on water supply and check for leaks.

