

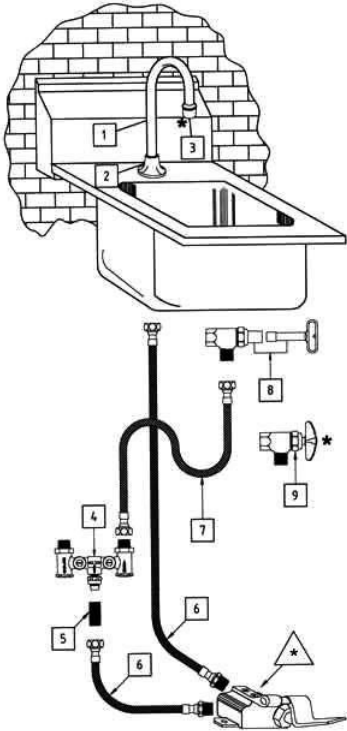
# FISHER

FISHER MANUFACTURING COMPANY

VOICE: 800-421-6162 • FAX: 800-832-8238

## Foot & Knee Valves - Components and Options

[Return to Foot & Knee Valves - Components and Options](#)



- |          |           |  |
|----------|-----------|--|
| <b>1</b> | 3965      | 12" SWIVEL GOOSENECK SPOUT   |
|          | 3968      | 6" SWIVEL GOOSENECK SPOUT  |
|          | 3966      | 12" RIGID GOOSENECK SPOUT  |
|          | 9041      | 10" RIGID GOOSENECK SPOUT  |
|          | 3969      | 6" RIGID GOOSENECK SPOUT   |
|          | 3960      | 6" SWING SPOUT   |
|          | 3961      | 8" SWING SPOUT   |
|          | 3962      | 10" SWING SPOUT  |
|          | 3963      | 12" SWING SPOUT  |
|          | 3964      | 14" SWING SPOUT  |
|          | 3967      | 16" SWING SPOUT  |
|          | 3975      | 6" SWING SPOUT WITH VACUUM BREAKER AND GARDEN HOSE THREAD                          |
|          | 3976      | 8" SWING SPOUT WITH THERMOMETER  |
|          | 4000-0001 | 11" CONTROL SWING SPOUT  |
|          | 11010     | 8" CONTROL SWING SPOUT   |
|          | 3000-0003 | 7-1/4" DJ MACHINED SUB ASSY.   |
|          | 4000-0002 | 13" DJ MACHINED SUB ASSY.  |
| <b>2</b> | 3800      | SINGLE DECK BASE WITH SWIVEL OUTLET  |
|          | 2903      | SINGLE DECK BASE WITH 3/8" FEMALE OUTLET   |
|          | 3900      | SINGLE BACKSPLASH BASE WITH SWIVEL OUTLET AND 1/2" MALE INLET                      |
|          | 4900      | SINGLE WALL BASE WITH SWIVEL OUTLET AND 1/2" FEMALE INLET                          |
|          | 3900-0002 | SINGLE WALL BASE WITH 3/8" FEMALE OUTLET AND 1/2" MALE INLET                       |
|          | 2461      | SINGLE WALL BASE WITH 3/8" FEMALE OUTLET AND 1/2" FEMALE INLET                     |
| <b>3</b> | 9041-9001 | 55/64"-27 FEMALE COMBINATION ROSE SPRAY-AERATOR 2.2GPM                             |
|          | 12564     | 55/64-27 FEMALE AERATOR 2.2 GPM.FLOW RATE @ 60 PSI                                 |
|          | 3000-8000 | 55/64-27 FEMALE AERATOR,5.0 GPM.   |
|          | 11053     | 55/64 -27 FEMALE AERATOR,2.0 GPM @ 60 PSI  |
|          | 3000-8002 | 55/64-27 FEMALE LAMINAR FLOW SPOUT END,2.0 GPM @ 60 PSI                            |
| <b>4</b> | 2970-3    | TEMPERATURE CONTROL VALVE WITH 1/2" F OUTLET X 1/2" M INLETS ADJUSTABLE HOT & COLD |

FLOW

<b>5</b>	2200-0000	1/2" X 1-1/4" NIPPLE WITH LOCKNUT, WASHER AND SLIP JOINT KIT
<b>6</b>	10049	SS SUPPLY LINE 1/2" MALE X 1/2" FEMALE X 24" LONG
	10006	SS SUPPLY LINE 1/2" FEMALE X 1/2" MALE X 36" LONG
<b>7</b>	10014	SS SUPPLY LINE 1/2" FEMALE X 1/2" FEMALE X 24" LONG
	10022	SS SUPPLY LINE 1/2" FEMALE X 1/2" FEMALE X 36" LONG
<b>8</b>	1792	ANGLE STOP WITH KEY STOP, POLISHED CHROME 1/2"M x 1/2"F
<b>9</b>	1790-1	ANGLE STOP WITH CROSS HANDLE, POLISHED CHROME 1/2"M X 1/2"F
<b>△</b>	3070-0000	CYLINDER ASSEMBLY FOR PEDAL VALVES * Vandal Resistant Kit available