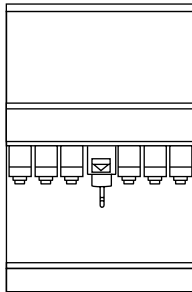


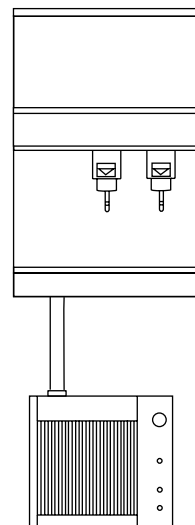
110 Series Ice and Water Dispensers

Operation, Service and Parts Manual Service Number 5024400 and Above

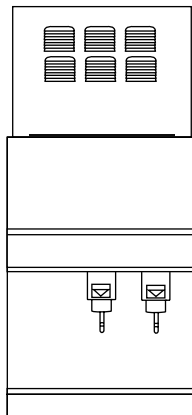
Manual load



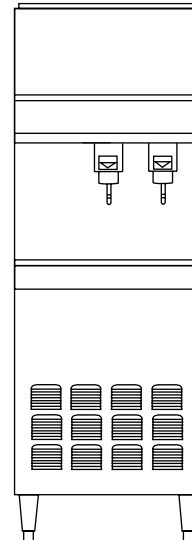
**Automatic load
with remote icemaker**



**Automatic load
with top-mounted icemaker**



**Automatic load
with icemaker in base**



Welcome to Follett

Follett ice dispensers enjoy a well-deserved reputation for excellent performance, long-term reliability and outstanding after-the-sale support. To ensure that this dispenser delivers that same degree of service, we ask that you take a moment to review this manual before operating the dispenser.

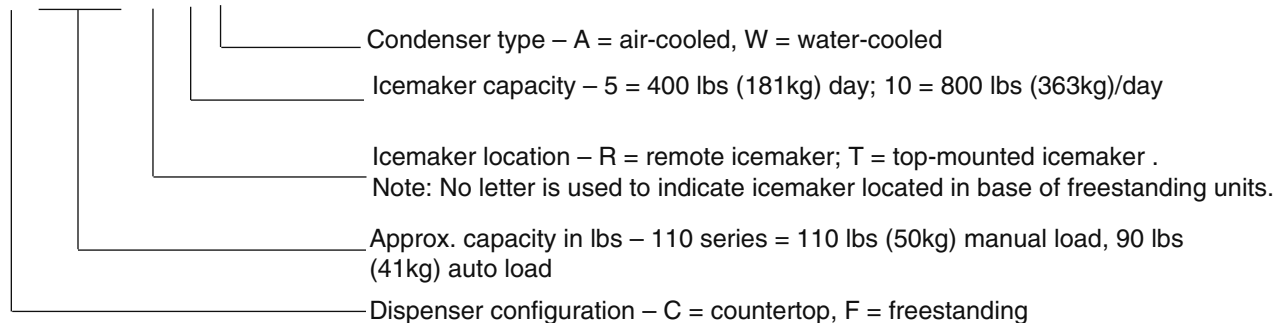
This manual is designed to explain the operation of your dispenser. If you have any questions or need technical help at any time, please call our technical service group toll free, (800) 523-9361 or (888) 2-FOLLETT, or (610) 252-7301.

Operation

Before you begin

Check your paperwork to determine which model you have. See the explanation of 110 series model numbers below.

C110R5A



Important cautions

- The dispenser bin area contains mechanical, moving parts. Keep hands and arms clear of this area at all times. If access to this area is required, power to unit must be disconnected first.
- **Follett manual load dispensers can accommodate most cube/cubelet ices up to 1" square, compressed nugget and nugget ices. Crushed, flake, bagged or congealed ice cannot be used. Use of these ices can jam dispenser and void warranty. Separate any waffle-like sections of cubes before adding to dispenser. For ice type compatibility questions, contact Follett toll free at (800) 523-9361 or (888) 2-FOLLETT, or (610) 252-7301.**
- Follett recommends a Follett QC4-FL4S water filter system (order #AFSYSTEMFL4S) be installed in the icemaker inlet water line.
- Ice is slippery. Maintain counters and floors around dispenser in a clean and ice-free condition.
- Ice is food. Follow recommended cleaning instructions to maintain cleanliness of delivered ice.
- Countertop dispensers on legs can be inadvertently moved. Care should be taken when operating and cleaning to avoid accidents.

Electrical specifications

Standard electrical – 115V, 60 Hz, 1 phase

- 110 series manual load – C110 – 2.0 amps, max. fuse size 15 amps
- 110 series automatic load – requires separate circuit and disconnect for icemaker and dispenser (exc. F1105A/W)
 - C110R5A/W, C110T5A/W – Icemaker 11.0 amps, max. fuse size 20 amps
Dispenser 2.0 amps, max. fuse size 15 amps
 - F1105A/W – 13.0 amps, max. fuse size 20 amps

Alternate electrical configurations (for non-domestic use) – 230V, 50 Hz, 1 phase

- 110 series manual load – Max. fuse size 15 amps
 - C110 – .8 amps
 - C110B – 1.2 amps
- 110 series automatic load – requires separate circuit and disconnect for icemaker and dispenser (exc. F1105A/W)
 - C110R5A/W, C110T5A/W – Icemaker 6.0 amps, dispenser .8 amps, max. fuse size 15 amps
 - F1105A/W – 6.8 amps

Model C110 is equipped with cord and plug. All other models to be hard wired. Equipment ground required. Electric disconnect required within 10 ft (3m) of dispenser.

Plumbing specifications

Countertop 110 series

- | | |
|-----------|--|
| Dispenser | 3/4" FPT dispenser drain |
| Icemaker | 1/2" MPT icemaker drain |
| | 3/8" FPT water inlet |
| | 3/8" FPT condenser inlet (water-cooled condenser only) |
| | 1/2" FPT condenser drain (water-cooled condenser only) |

Freestanding 110 series (Models F1105A/W)

- | | |
|-----------|--|
| Dispenser | 3/4" FPT dispenser drain |
| Icemaker | 3/8" FPT water inlet |
| | 3/8" FPT icemaker drain |
| | 3/8" FPT condenser inlet (water-cooled condenser only) |
| | 1/2" FPT condenser drain (water-cooled condenser only) |

Note: Water disconnect within 10 feet (3m) of dispenser suggested for automatic load units.

Drain should be hard piped, insulated and maintain min. 1/4" per foot (6mm per 304mm) slope.

How dispenser works

Follett's 110 series ice dispensers are available as either manual load models (using ice from another source) or automatic load models fed from one or two Follett 400 lbs (181kg)/day icemakers. Depending on the model, the icemaker may be located in the base of the dispenser, mounted on top or remoted to a location up to 20 feet (6m) from the dispenser. In all models, ice is stored in the upper section of the dispenser. On lever and pushbutton dispensers, when the dispenser lever or button is pushed, the ice dispense solenoid is energized. This opens the gate and activates the dispense motor. This causes the wheel assembly in the storage area to turn, moving ice to the dispense chute where it drops by gravity into the container.

In automatic load models, ice is made in the icemaker section which may be located in the base, top-mounted or remoted from up to 20 ft away. As water freezes to the inside walls of the evaporator, a rotating stainless steel auger removes ice and carries it to the top of the evaporator assembly where it is compressed and extruded through an outlet port. The ice is then pushed through the tube to the storage compartment in the top of the dispenser. When the storage area is full, a bin thermostat opens and shuts off the icemaker.

Automatic load units are equipped with a level fill circuit that maximizes fill in the storage area by rotating the wheel at intervals until the bin is completely filled. When the bin is filled, a bin stat shuts off the icemaker to avoid overfilling of the bin. The icemaker will restart after 20 minutes if the bin stat is calling for ice.

How SensorSAFE™ accessory works

Follett's SensorSAFE accessory maximizes sanitation and minimizes the possibility of cross-contamination by eliminating physical contact between the cup or container and the dispenser. Sensors in the panel use reflected infra-red light to detect the presence of the container and send a signal to a control board which then activates the appropriate components for ice or water dispensing. The SensorSAFE package includes a cleaning switch under the left side of the front cover which temporarily shuts off dispensing to allow cleaning of the panel and lenses. If the switch is not turned back on after cleaning, the dispenser automatically resets to normal operation after two minutes. SensorSAFE also includes a time limit safety feature which automatically stops ice dispensing after one minute of continuous dispensing. Dispensing can be resumed by moving the container away from the dispenser and returning it to the activation zone.

How chilled water accessory works

Follett's chilled water accessory uses ice from the dispenser's storage hopper to chill the incoming water supplied to the water station. The water chiller assembly is located in the dispenser cabinet under the storage hopper. As ice is dispensed, or the wheelmotor is energized during the level fill cycle, ice is automatically fed into the water chiller assembly to chill the water coil inside the assembly.

To start-up and operate dispenser

1. Follow cleaning instructions provided in installation manual(s) packed with equipment before operating dispenser.
2. Follow appropriate start-up instructions provided in installation manual(s) for manual loading restrictions and/or automatic load start-up requirements.



Follett manual load dispensers can accommodate most cube/cubelet ices up to 1" (26mm) square, as well as nugget and compressed nugget ices. Crushed, flake, bagged or congealed ice cannot be used. Use of these ices can jam dispenser and void warranty. Separate any "waffle-like" sections of cubes before adding to dispenser.

Cleaning

This equipment must be cleaned periodically to insure the quality of ice and/or beverage you are providing. Follett recommends the periodic cleaning schedule listed below. Use only the recommended cleaning solutions. Do not use solvents or abrasive cleaners. Avoid the use of metal scrapers or sharp objects.

- **Always disconnect power before cleaning dispenser(s).**
- **Do NOT run plastic parts (dispense chute cover, dispense wheel) through a dishwasher.**

Solution A: Prepare a cleaning solution (200 ppm of available chlorine content) of Ecolab Mikro-chlor Cleaner or equivalent chlorinated detergent. Cleaning solution temperature must be at 75° – 125° F (24° - 52°C).

Solution B: Prepare a sanitizing solution (50 ppm of available chlorine content) of Ecolab Mikro-chlor Cleaner or equivalent chlorinated detergent. Sanitizing solution temperature must be at 75° – 125° F (24° - 52°C).

Recommended daily cleaning of drain pan (dispensers with beverage valves only)

1. Remove all debris from drain pan.
2. Slowly pour 1 gallon (4L) hot water into drain pan to keep drain lines clear.

Recommended weekly cleaning (all units)

1. Wash drain pan and grill with Solution A above. Rinse thoroughly.
2. On units with beverage valves, remove nozzles and diffusers from valves, soak for at least 10 minutes in cleaning Solution A, rinse, sanitize with Solution B and reinstall.
3. Slowly pour solution of one cup (8oz/237ml) household bleach mixed with one gallon (3.8L) hot water into drain pan to help prevent algae growth in drain lines.

SensorSAFE™ dispensers – Deactivate dispenser by depressing and releasing clean switch located on left side of unit under top front cover. Clean lens using soft cloth and mild, non-abrasive cleaner. Reactivate dispenser by depressing and releasing clean switch a second time.

Recommended quarterly cleaning of dispenser hopper

1. Remove top front cover.
2. Turn power switch to “OFF” position.
3. Remove ice from storage area and wash drain pan grill with Solution A above. Rinse thoroughly.
4. Remove center thumbnut on dispense wheel in bottom of storage area, tilt rear of wheel up and lift to remove.
5. Wipe lid, dispense wheel, inside of storage area and ice chute (units with ice-waterbath beverage cooling only) with damp sponge wrung out in Solution A.
6. Rinse above components thoroughly with clear water, and sanitize with Solution B; do not rinse.
7. On units with beverage valves, remove nozzles and diffusers from valves, soak for at least 10 minutes in cleaning Solution A, rinse, sanitize with Solution B and reinstall.
8. Slowly pour solution of one cup (8oz/237ml) household bleach mixed with one gallon (3.8L) hot water into drain pan to help prevent algae growth in drain lines.
9. Reinstall dispense wheel and secure.
10. If unit is equipped with chilled water accessory, also see below.

If dispenser is equipped with chilled water accessory

1. Remove two (2) screws securing splash panel and lay splash panel on dispenser drain pan.
2. Disconnect 3/4" drain line from bottom of chilled water canister.
3. Loosen (do not remove) screw securing right bracket of chilled water canister to bottom of dispenser hopper.
4. Rotate canister forward to release right bracket, then slide canister to right to disengage left bracket.
5. Remove chilled water coil from canister and clean with cloth wrung out in Solution A.
6. Wipe inside of chilled water canister with cloth wrung out in Solution A.
7. Rinse all above items with damp cloth wrung out in clear water.
8. Sanitize all above items with damp cloth wrung out in Solution B. Do not rinse.
9. Reinstall chilled water coil into canister (rubber alignment grommet on coil tubing must be located outside chilled water canister to hold coil securely against canister wall).
10. Reinstall chilled water assembly on dispenser and tighten screw securing right bracket.
11. Reconnect 3/4" drain line to chilled water canister.
12. Reinstall splash panel and top front cover.
13. Put unit back in service (see below).

Putting unit back in service after cleaning

1. For manual load units, fill unit with an approved ice (see caution statement page 1).
2. For automatic load units, turn bin signal switch(es) and dispenser power switch(es) to “ON” position and allow storage area to fill.
3. Push lever to test that unit is functioning properly.

Quarterly cleaning of icemaker system

Units with icemakers require icemaker cleaning at least every 3 months, and more often if local water conditions dictate. Failure to clean icemaker will result in decreased performance and potential damage to icemaker. Refer to Icemaker Operation and Service Manual for specific cleaning instructions.

Cleaning soda lines (models with valves only)

For frequency and instructions on cleaning bag-in-box or 5 gallon (19L) tank soda systems and lines, consult your syrup supplier.

Brixing soda valves (models with valves only)

In order to maintain a quality drink, the soda valves must be adjusted (“brixed”) on a routine basis. This is done by adjusting the flow of carbonated water (called “soda”) and syrup to an established ratio. A special “brixing cup” is required to determine what adjustments should be made. Different types of valves and flavors require different techniques and ratios. Consult with your syrup supplier for specific instructions for the valves and flavors your facility is using.

Service



Disconnect power to unit before putting hands or arms in storage area or before attempting any repair or service to equipment.

Before calling for service

1. Check to make sure that there is ice in dispenser storage area.
2. Check to make sure that congealed cubes are not causing a jam.
3. Check that power cord is plugged in (manual load models only).
4. Check that circuit breaker is on.
5. Check that all drains are clear.

Troubleshooting

Symptom	Possible cause	Solution
1. Does not dispense ice	<ol style="list-style-type: none"> a. Power switch "off" or faulty. b. Faulty dispense switch. c. Wheel motor malfunction. d. Non-compatible ice used in dispenser. e. Faulty dispense solenoid. 	<ol style="list-style-type: none"> a. Check switch. Turn on or replace if faulty. b. Replace switch. c. Check motor and capacitor and replace as required. d. Load compatible ice. (Call Follett for guidance.) e. Check solenoid and replace if faulty.
2. Does not dispense water	<ol style="list-style-type: none"> a. Dispense switch faulty. b. Faulty water solenoid. c. Solenoid plugged by debris. 	<ol style="list-style-type: none"> a. Check switch and replace if faulty. b. Check solenoid and replace if faulty. c. Remove and clean valve.
3. Water runs continuously	<ol style="list-style-type: none"> a. Dispense switch contacts burned shut. b. Debris preventing valve from closing. 	<ol style="list-style-type: none"> a. Check switch and replace if faulty. b. Remove and clean valve.
4. Does not dispense beverage	<ol style="list-style-type: none"> a. Key switch (accessory) in "off" position or faulty. b. Transformer not supplying 24V to valves. 	<ol style="list-style-type: none"> a. Turn key switch on or replace. b. Check for correct voltage to primary side. If correct, replace transformer.
5. Dispense wheel rotates continuously	<ol style="list-style-type: none"> a. Dispense switch contacts burned shut. b. Faulty timer supplying power to pin #1 at all times. c. Welded contacts on level fill relay. 	<ol style="list-style-type: none"> a. Replace dispense switch. b. Replace timer. c. Replace relay.
6. Icemaker runs continuously	<ol style="list-style-type: none"> a. Faulty or incorrectly positioned bin stat. b. Incorrect field wiring. 	<ol style="list-style-type: none"> a. Check for proper positioning. If stat does not open when ice is placed on capillary tube, replace stat. b. Check that icemaker receives its bin signal from dispenser.

Troubleshooting SensorSAFE™ board and sensors

Problem: Does not dispense ice and/or water

ACTION	LED STATUS			SOLUTION
	PWR	CLN	ICE/WTR	
Check LEDs on control board	OFF	OFF	OFF	Check circuit breakers and power switch; restore power or replace defective switch.
	ON	ON	OFF	Depress clean switch located under left side of front cover to return board to normal operation
Place cup under drop zone	ON	OFF	OFF	Troubleshoot appropriate lens/sensor and replace if required. (see Lens/Sensor Troubleshooting below)
	ON	OFF	ON	Verify power on appropriate output terminal (WTR, SOL or WM) on control board and replace board if required; if board tests okay, troubleshoot appropriate dispenser component (page 5).

Problem: Dispenses ice and/or water continuously

ACTION	LED STATUS			SOLUTION
	PWR	CLN	ICE/WTR	
Check LEDs on control board	ON	OFF	ON	Troubleshoot appropriate lens/sensor and replace if required. (See Lens/Sensor Troubleshooting)
	ON	OFF	OFF	If there is power on any output terminal (WTR, SOL or WM) on control board, replace board.

Board guide

LEDs, when illuminated, indicate the following: PWR (Board power), CLN (Cleaning, no dispensing cycle), ICE (Ice dispensing activated), WTR (water dispensing activated).

Terminals: LI (incoming power, hot), L2 (neutral terminals), WTR (power terminal for water solenoid), SOL (power terminal for dispense gate solenoid), WM (power terminal for wheelmotor), CLN (terminals for clean cycle switch).

Lens/sensor troubleshooting

Turn dispenser power switch off. Remove splash panel. Disconnect wires from output (WTR, SOL, WM) terminal(s) on board. Gently remove appropriate sensor/mounting block assembly from panel by moving block sideways until edge of block clears retaining tab of panel. Inspect lens and sensor assembly for foreign material, and clean using a mild, non-abrasive cleaner. Turn dispenser power on and test sensor by moving hands through activation area (no closer than 3/16") in front of sensor. If LED on board turns on and off, sensor is working properly and dispenser may be reassembled. If LED does not come on, switch sensor lead on board to working sensor lead and retest. If the opposite LED comes on, board is defective and must be replaced. If LED does not come on, sensor is defective and must be replaced.

Parts removal

Dispense chute removal

1. Remove stainless front cover.
2. Turn power to unit off (ON/OFF switch is located at right side of electrical box).
3. Slide plastic dispense chute cover up and out to remove.
4. Remove four (4) fasteners holding dispense chute and bracket assembly in place and remove chute.

Dispense wheel removal

1. Remove all ice from storage area of dispenser.
2. Remove baffle.
3. Remove center thumbnut and threaded rod from dispense wheel.
4. Tilt rear of wheel up and lift off motor drive shaft.

Drive bar removal

1. Remove dispense wheel from dispenser (See above).
2. Remove two (2) thumbscrews from agitator bar mounted on wheel.
3. Pull drive bar out of channel in bottom of wheel.

Wheel motor removal

1. Remove dispense wheel from inside storage area of bin (see above).
2. Unplug wires running from motor to capacitor.
3. Remove four (4) bolts holding motor to motor bracket.



Do not remove motor bracket. Bracket location is critical to alignment of dispense wheel and is not field adjustable.

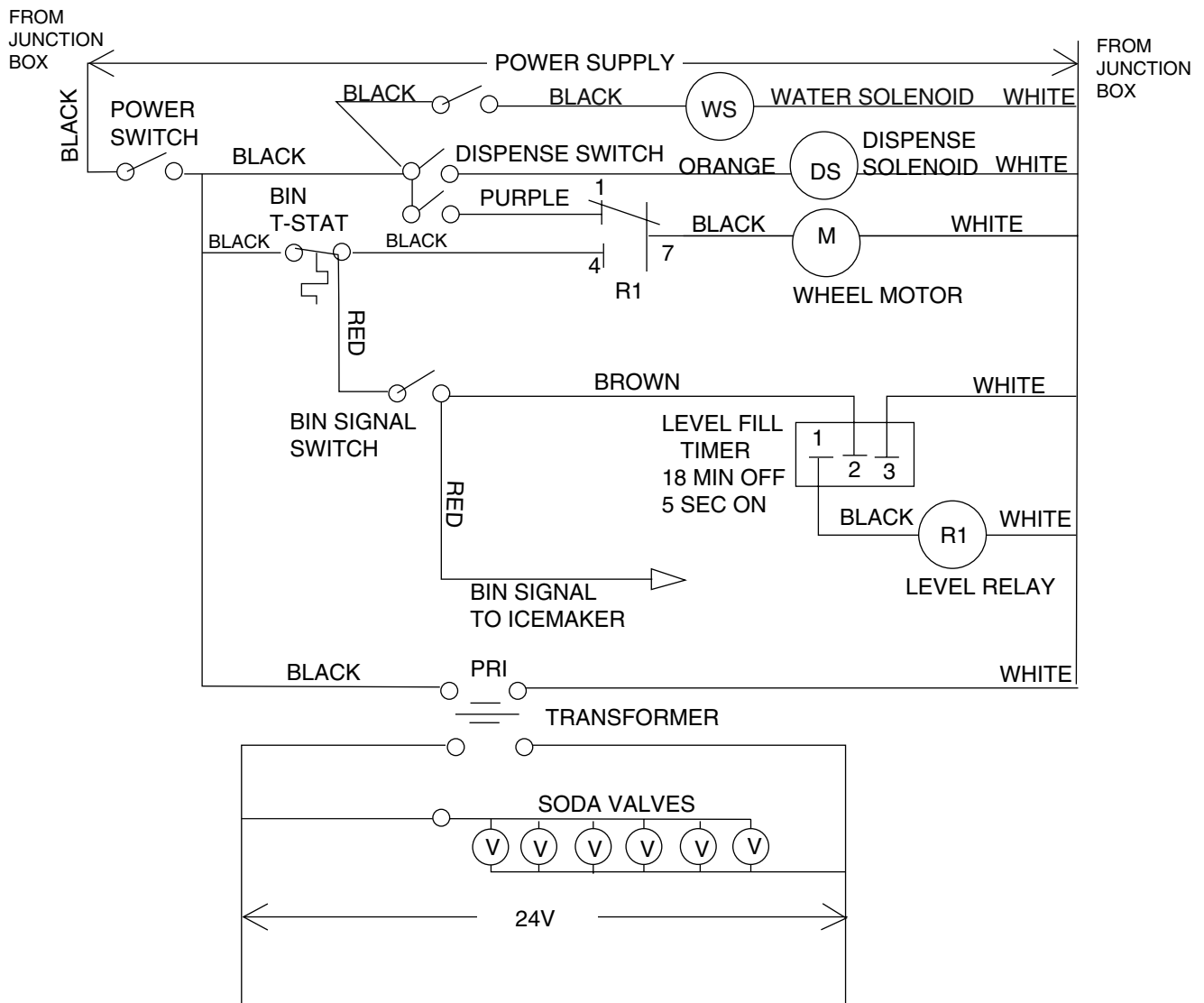
Wiring diagrams

How unit works — lever actuated model

The wheel motor and dispense solenoid are energized through the power and ice dispense switches. The water solenoid is energized through the power and water dispense switches.

Automatic load units with either top-mounted or remote icemakers are equipped with a level fill circuit to maximize fill in the ice storage area by rotating the wheel at intervals until the bin is completely filled. In these units the icemaker is powered through the N.C. bin thermostat. While the bin level thermostat is calling for ice, the level fill timer is energized. Every 18 minutes the timer energizes the level fill relay, rotating the wheel motor for 5 seconds. When ice builds up around the bin thermostat, the contacts open, cutting the bin signal to the icemaker.

Lever actuated dispensers



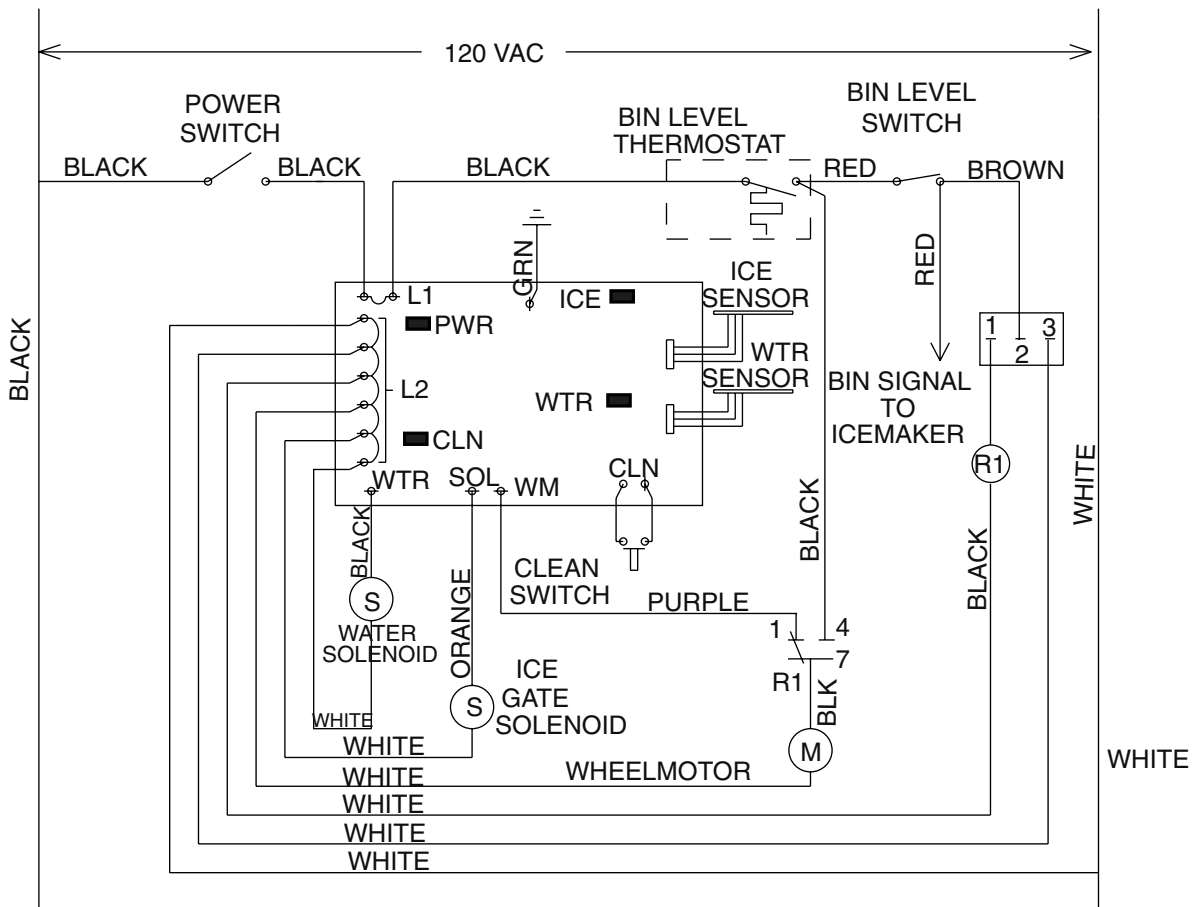
How unit works — SensorSAFE™ models

When a container is placed within the actuation zone below the ice or water chute on the SensorSAFE dispenser models, an invisible, randomly-generated infra-red signal is emitted, reflected off the container and detected by the sensor. The sensor then sends a signal to the control board to activate the appropriate components to dispense ice or water. LED's on the board indicate when the board is receiving a signal from the sensors.

A safety, shut-off feature automatically shuts off dispensing after one minute of continuous activation. Dispensing can be restarted by moving the container away and then returning it to the actuation zone.

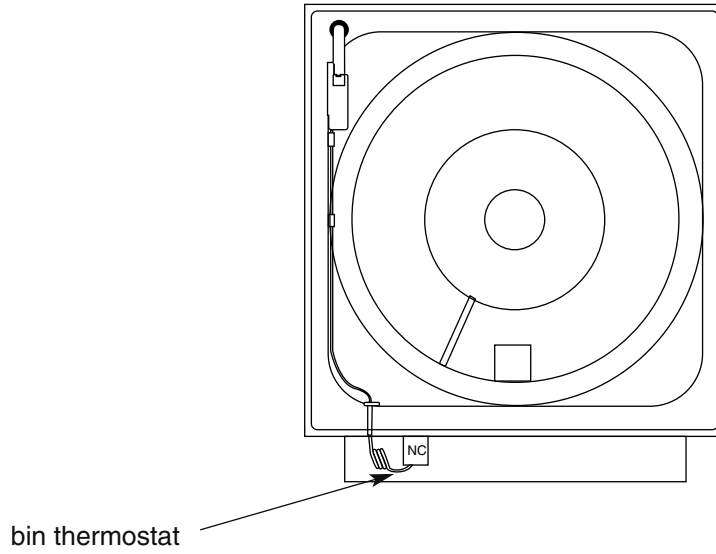
Dispensing can be temporarily suspended for cleaning by pressing and releasing the clean switch, located under the left side of the top front cover. Pressing and releasing the button a second time will return the dispenser to normal operation. If the button is not pressed a second time, the dispenser automatically resumes normal operation (CLN LED goes out) after two minutes. An LED on the control board will light to indicate that dispensing has been suspended by activation of the clean switch.

SensorSAFE dispensers



Thermostat locations – freestanding units and units with remote icemakers

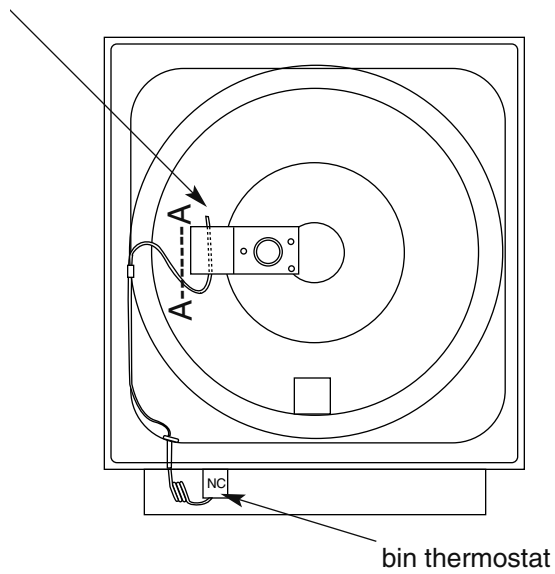
Top view



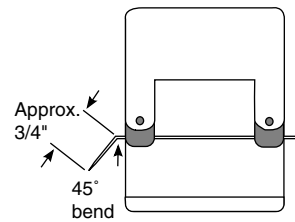
Thermostat locations – units with top-mounted icemakers

Top view

hand bend cap tube end to approx. 45° as shown in Detail A-A.



Detail A-A

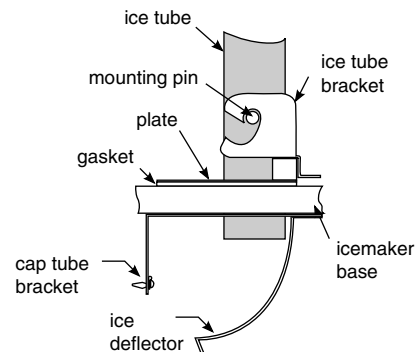


Replacement of ice transport tube – Units with top-mounted icemakers



If preparing tubing not supplied by Follett, dispenser end of tube must be fitted with mounting pins as shown in drawing.

1. Slip a hose clamp on end of transport tube without pins, immerse this end in cup of hot water to soften hose, then push it on evaporator port of icemaker.
2. Fasten tube on evaporator port with hose clamp, being sure that clamp is positioned on evaporator side of flange. Tighten clamp.
3. Insert loose end of ice tube into bracket on icemaker base as shown in drawing.
4. Pull up on ice tube to seat pins in bracket.

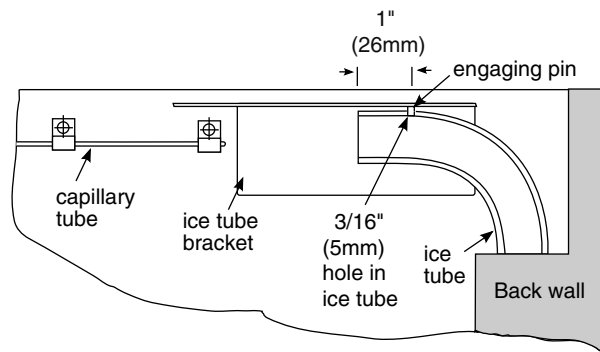


Ice transport tube replacement – Freestanding units and units with remote icemakers



Correct installation of ice transport tube is critical to icemaker performance. Replacement ice transport tubes must be insulated and must run continuously from icemaker to dispenser with no dips in line and no bends with a radius of less than 6" (153mm).

1. Remove top and rear access panel from dispenser (and lower front panel on freestanding unit).
2. Disconnect existing ice tube from engaging pin and pull down through dispenser chase.
3. Disconnect opposite end of tube from icemaker.
4. Run end of new ice transport tube with 3/16" (5mm) hole through right hand knockout in back of dispenser or through counter into bottom of dispenser, being careful to avoid any bends with less than a 6" (153mm) radius.
5. Insert tube in internal chase in rear inside corner of dispenser (right side as you face rear of dispenser) and push up into storage area.
6. Push 3/16" (5mm) hole near end of tube into pin on ice tube bracket (see drawing at right).



Steps 6 – 7 for units with remote icemakers only

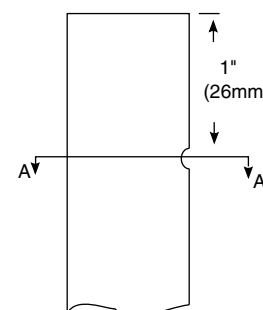
7. Install supplied insulation to run of transport tube required for your site, leaving approximately 2" (51mm) of tube exposed at free end.
8. Check that insulated tube runs continuously uphill to dispenser with no dips.

All units

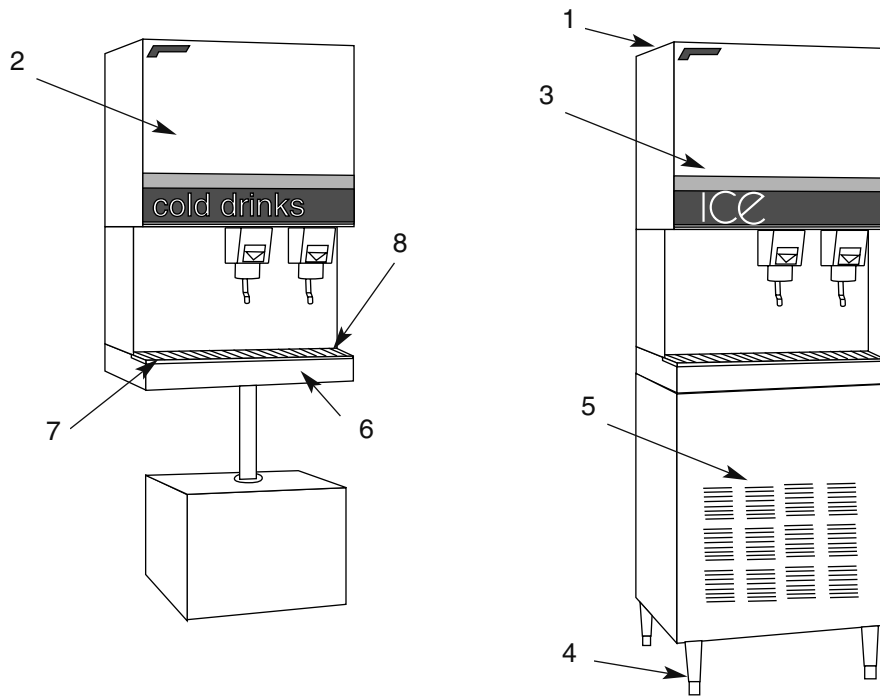
9. Place free end of tube in a cup of hot water to soften, slip supplied hose clamp onto tube and push tube onto exit port of evaporator. **DO NOT TWIST HOSE WHEN SECURING TO EVAPORATOR.**
10. Fasten tube on port with hose clamp, being sure that clamp is positioned on evaporator side of flange.
11. Tighten clamp.



Section A-A

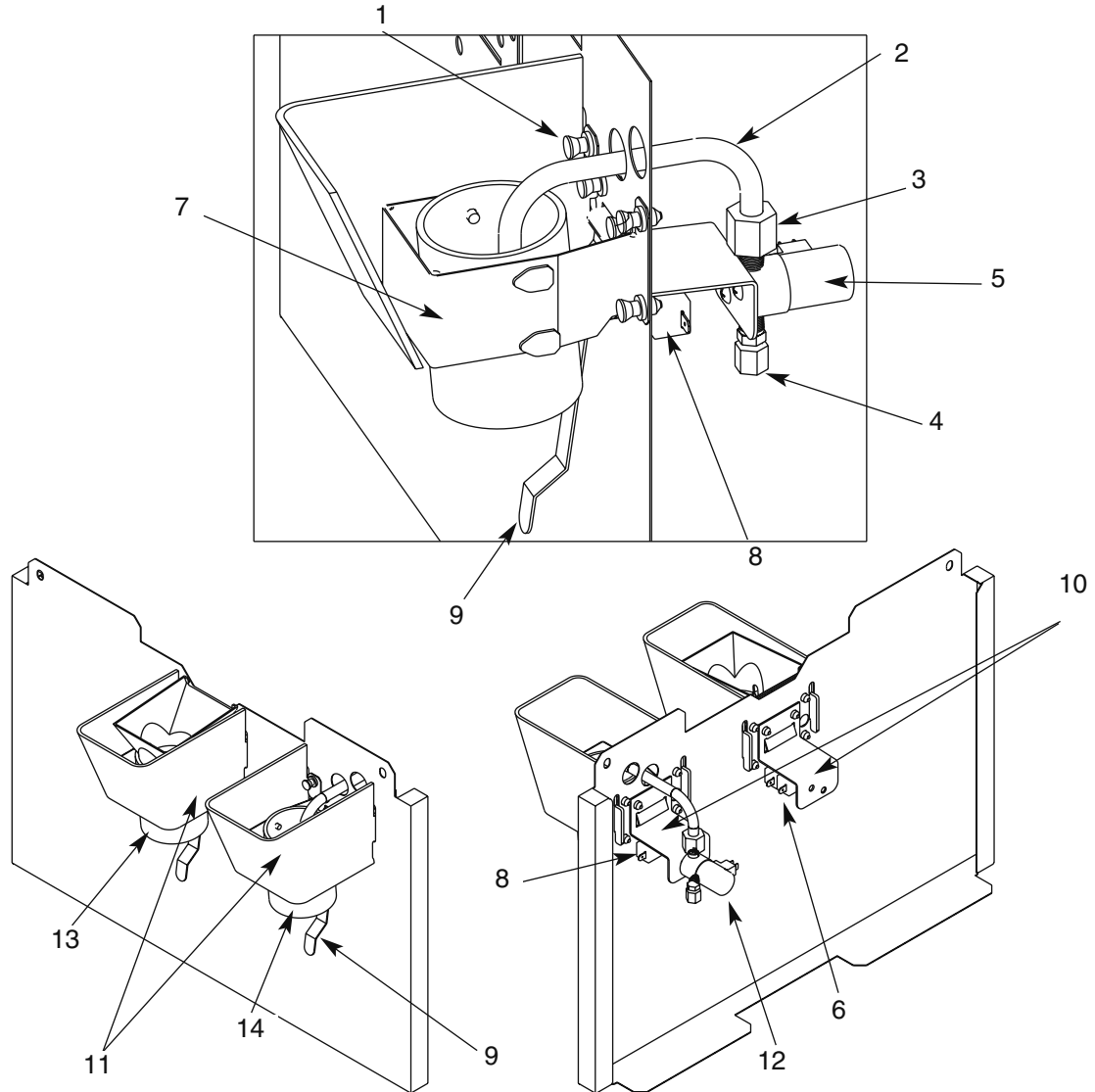


Parts



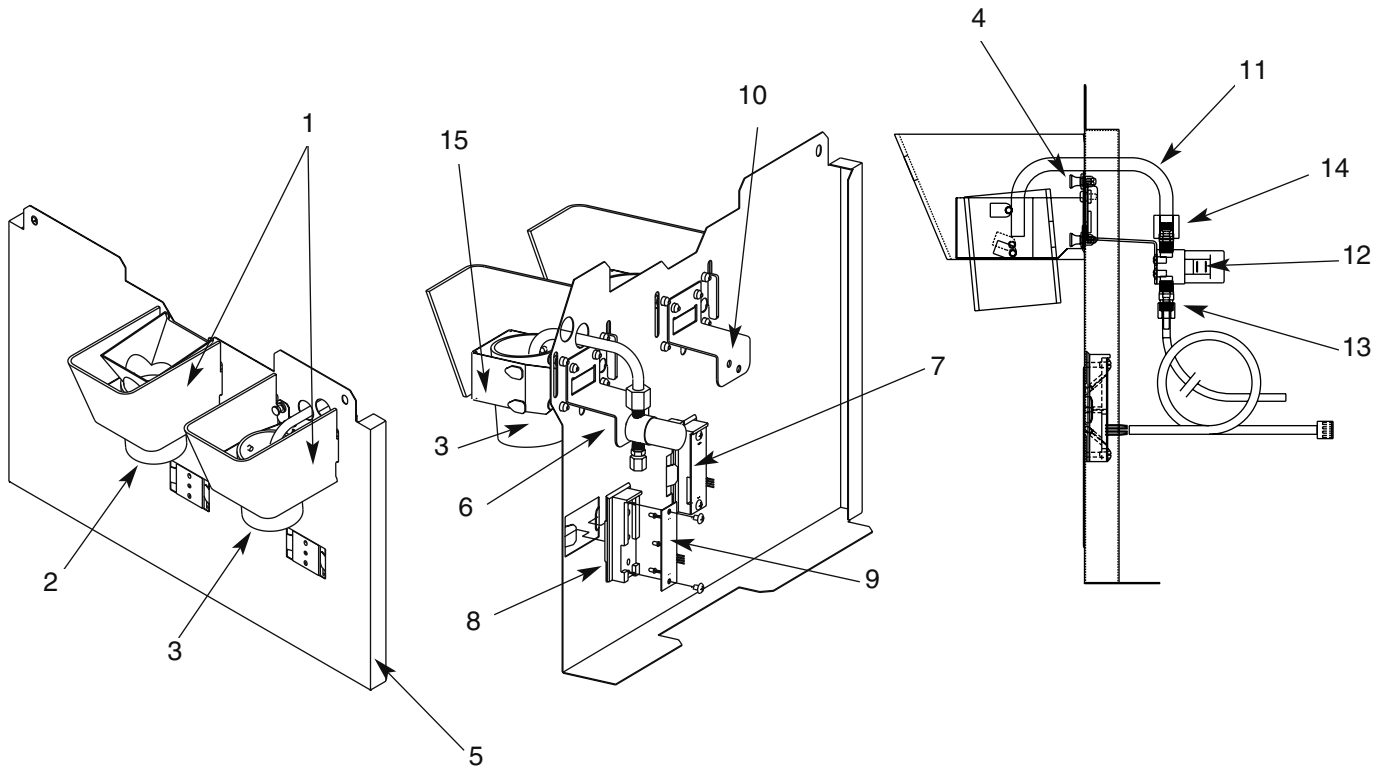
Part #	Description	Reference #
501445	Top, dispenser	1
501819	Lid, top	Not shown
501502	Cover, front, stainless steel, with "cold drink" graphics	2
501596	Cover, front, stainless steel, with "ice" graphics	3
500089	Leg kit, 6" (153mm) for F1105A/W units only	4
501478	Leg kit, 4" (102mm), adjustable (set of 4) – N/A for top-mounted models	Not shown
501794	Cover, front, for bottom of F1105A/W	5
502067	Drain pan base assembly (includes 501915 and 501837)	6
501456	Plug, ice-waterbath	Not shown
501915	Drain pan, plastic	7
501837	Grill, drain pan	8
501286	Key, beverage lock	Not shown
501651	Keylock assembly	Not shown
502083	Rear panel, base stand, perforated	Not shown
502222	Valve, water shutoff	Not shown
502433	T fitting	Not shown
502225	Assembly, water inlet, freestanding units	Not shown
502268	Fitting, drain and mounting plate	Not shown
502154	Top, dispenser (C110T5A/W)	Not shown
500376	Strainer, water	Not shown

Dispense chute and splash panel areas – lever models



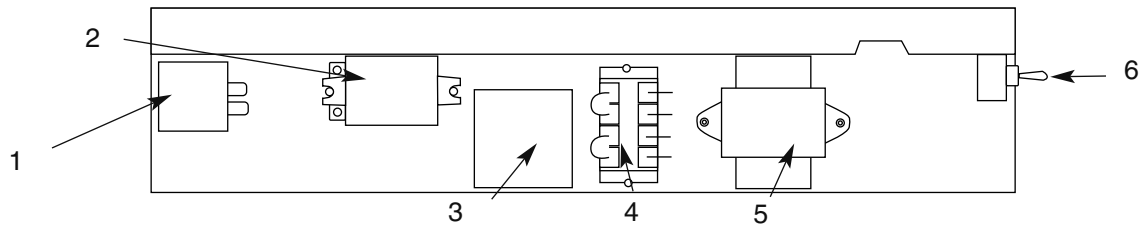
Part #	Description	Reference #
502057	Fastener, dispense chute bracket (4 req. per bracket)	1
502356	Tube, water station	2
502262	Fitting, 1/8" MPT x 3/8" comp	3
502246	Fitting, 1/8" MPT x 1/4" comp	4
502243	Solenoid valve, water, 120V, 60Hz	5
502576	Solenoid valve, water, 230V, 50Hz	5
501829	Switch, dispense, lever actuated ice dispensing (includes 501841)	6
502247	Bracket, chute (includes fasteners 502057)	7
501841	Boot, dispense switch lever (mounts on 501829 switch)	Not shown
502359	Switch, dispense, lever, water	8
502358	Lever	9
502355	Retainer, bracket, water solenoid	10
502507	Cover, dispenser chute, plastic, lever operation (includes labels)	11
502357	Solenoid assy, water, 120V, 60Hz (includes 502243, 502245, 502246, 502256 and 502262)	12
502577	Solenoid assy, water, 230V, 50Hz (includes 502243, 502245, 502246, 502256 and 502262)	12
502248	Chute, ice	13
502249	Chute, water	14

Dispense chute and splash panel areas – SensorSAFE™ models



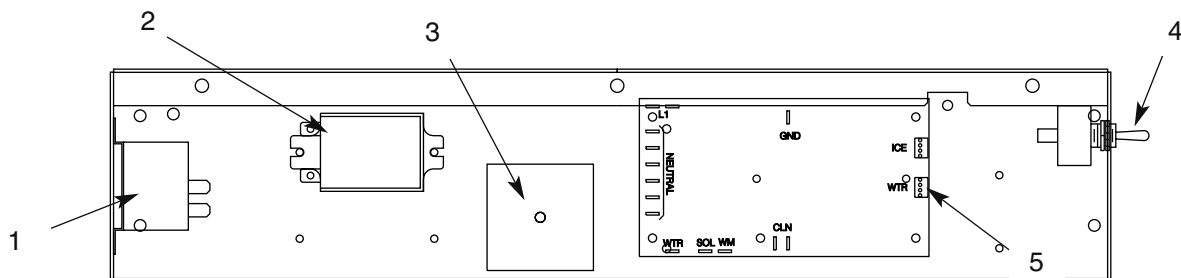
Part #	Description	Reference #
502250	Cover, dispense chute	1
502248	Chute, ice	2
502249	Chute, water	3
502057	Fastener, dispense chute bracket	4
502690	Sensor, lens	Not shown
502254	Splash panel (includes(2) 502690)	5
502357	Solenoid assy, water, 120V, 60Hz (includes 502243, 502356, 502355, 502256 & 502262)	6
502577	Solenoid assy, water, 230V, 50Hz (includes 502243, 502356, 502355, 502256 & 502262)	6
502241	Assembly, sensor and mounting block (includes 502239 and 502240)	7
502239	Block, sensor mounting	8
502240	Sensor	9
502355	Bracket, water solenoid	10
502356	Tube, water station	11
502243	Solenoid valve, water, 120V, 60Hz	12
502576	Solenoid valve, water, 230V, 50Hz	12
502246	Fitting, 1/8" MPT x 1/4" comp	13
502262	Fitting, 1/8" MPT x 3/8" comp	14
502247	Bracket, chute (includes fasteners 502057)	15
502261	Cover, front, SensorSAFE models	Not shown
502255	Bracket, clean switch, SensorSAFE	Not shown
501139	Clean switch, SensorSAFE	Not shown

**Electrical box (front view)
lever models**



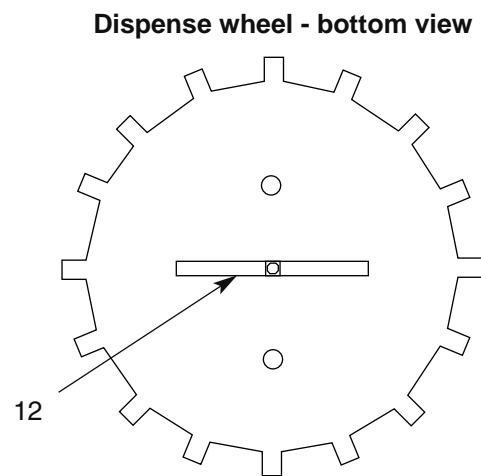
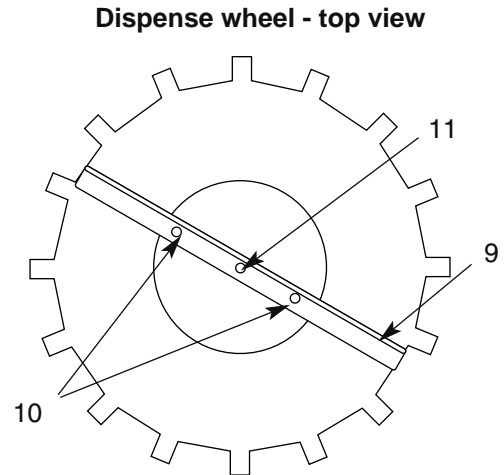
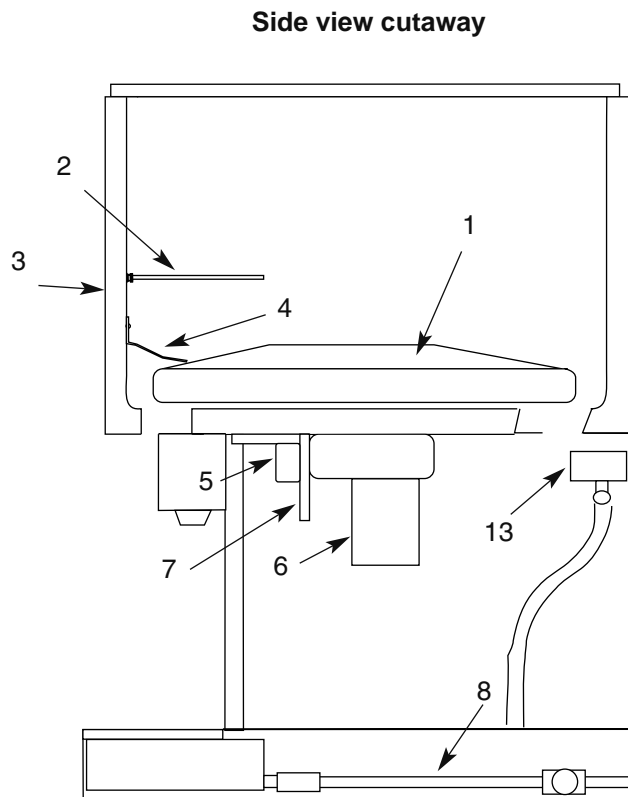
Part #	Description	Reference #
500514	Thermostat	1
501369	Relay, level fill (auto load units only)	2
501375	Relay, level fill, non-domestic units, 230V, 50Hz (auto load units only)	2
501601	Timer, level fill (auto load units only)	3
501700	Timer, level fill, non-domestic units, 230V, 50Hz (auto load units only)	3
501604	Terminal block	4
501321	Transformer (units with beverage valves)	5
501429	Transformer, non-domestic units, 230V, 50Hz (units with valves)	5
500006	Switch (front), dispenser power	6
500006	Switch (rear), icemaker bin signal	6

**Electrical box (front view)
SensorSAFE™ models**



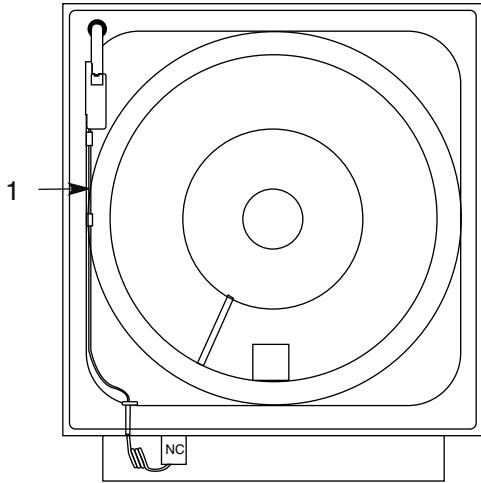
Part #	Description	Reference #
500514	Thermostat, bin level	1
501369	Relay, level fill	2
501601	Timer, level fill	3
500006	Switch (front), dispenser power	4
500006	Switch (rear), icemaker bin signal	4
502242	Control board, SensorSAFE	5
502255	Bracket, clean switch, SensorSAFE	Not shown
501139	Clean switch, SensorSAFE	Not shown

Hopper components

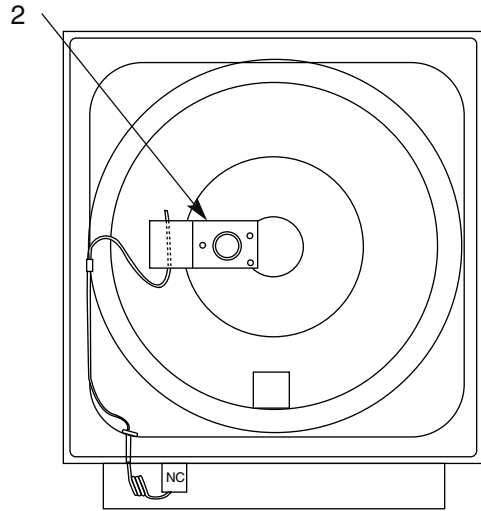


Part #	Description	Reference #
501493	Wheel, dispense (includes 501320, 501494, 501441)	1
501346	Agitator, fixed	2
501603	Thumbnut, fixed agitator rod	3
501802	Baffle, ice	4
501340	Capacitor, run, dispense motor	5
501803	Motor, wheel (includes 501340)	6
501804	Motor, wheel, non-domestic units, 230V, 50 Hz	6
502235	Bracket, wheel motor	7
501838	Drain tube assembly	8
501494	Agitator, rotating	9
500905	Nut, knurled, dispense wheel	10
501612	Stud and nut assembly, dispense wheel	11
501441	Drive bar assembly (includes 501612)	12
501806	Drain pan, rear	13
502236	Drain assembly, hopper (includes plastic tube)	Not shown
502101	Manifold, carbonated water	Not shown

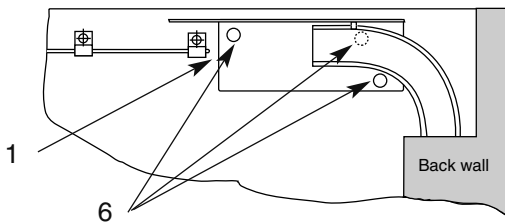
Top view – freestanding units and units with remote icemakers



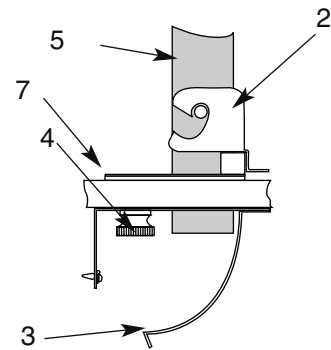
Top view - units with top-mounted icemakers



Side view - freestanding units and units with remote icemakers

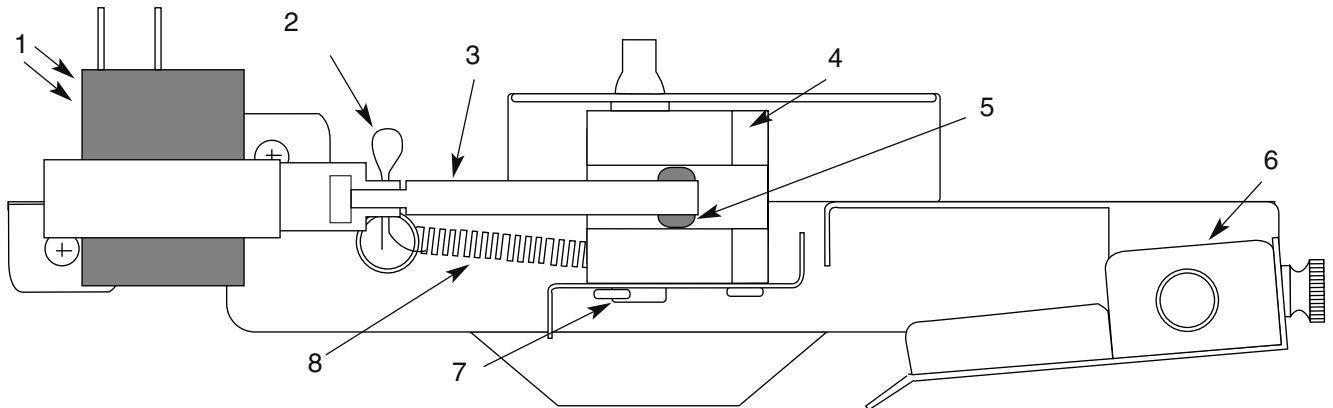


Side view - units with top-mounted icemakers

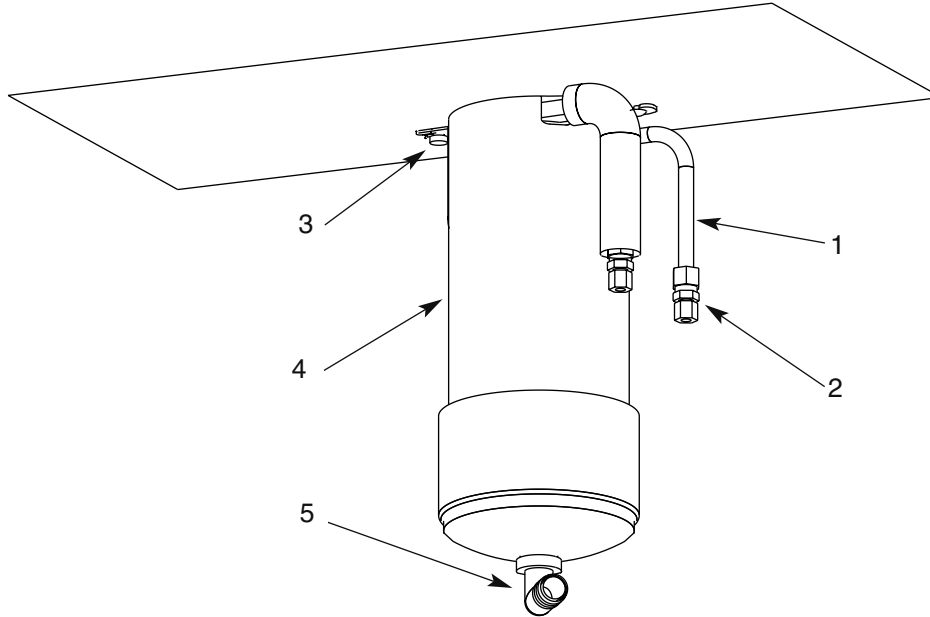


Part #	Description	Reference #
502056	Bracket, ice tube	1
501842	Bracket, ice tube (units with top-mounted icemakers)	2
501616	Ice deflector/cap tube bracket (units with top-mounted icemakers)	3
501613	Thumbnut, cap tube bracket	4
501795	Ice transport tube assembly (units with top-mounted icemakers) - sold as 1.6 ft section	5
501613	Screws, knurled	6
501176	Ice transport tube insulation (remote units only) – sold by ft	Not shown
502326	Ice transport tube assembly (freestanding, air-cooled)	Not shown
502327	Ice transport tube assembly (freestanding, water-cooled)	Not shown
502522	Ice transport tube - 10 ft (3m), for dispensers w/remote icemakers	Not shown
502523	Ice transport tube - 20 ft (6.1m), for dispensers w/remote icemakers	Not shown
502824	Gasket, ice entry	7

Solenoid dispense assembly



Part #	Description	Reference #
501830	Solenoid, dispense	1
501844	Solenoid, dispense 230V, 50Hz	1
502040	Cotter pin	2
502039	Linkage, solenoid (includes 502054 grommet)	3
502042	Block, dispense gate	4
502054	Grommet	5
502045	Splash pan, gate assembly	6
502038	Shoulder screw and washer	7
501824	Spring, gate assembly	8
502043	Gate assembly, 115v (includes reference numbers 1 through 8 above)	



Part #	Description	Reference #
502598	Coil, chilled water (includes (2) 502599)	1
502599	Fitting, water coil	2
502600	Brackets, chilled water canister, pair (includes screws)	3
502601	Canister, chilled water (includes 502600 and 502605)	4
502605	Elbow, drain	5
502604	Tee, drain	Not shown
502603	Assembly, chilled water (includes reference numbers 1 through 5 above)	



801 Church Lane • PO Box D, Easton, PA 18044
Toll free (800) 523-9361 • (888) 2-FOLLETT
(610) 252-7301 • Fax (610) 250-0696 • www.follettice.com



207934R00
12/01