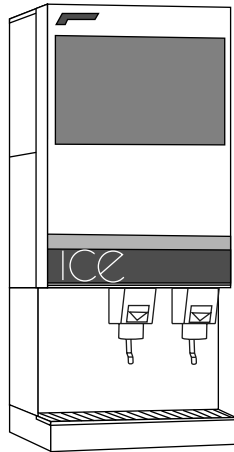


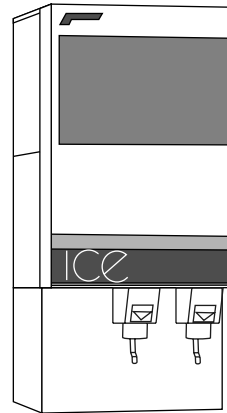
# 25 and 50 Series Ice and Water Dispenser

Order parts online  
www.follettice.com

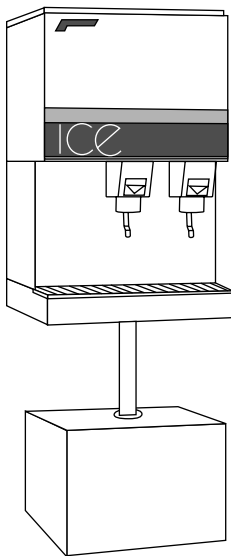
## Operation, Service and Parts Manual Service Number 5024400 and Above



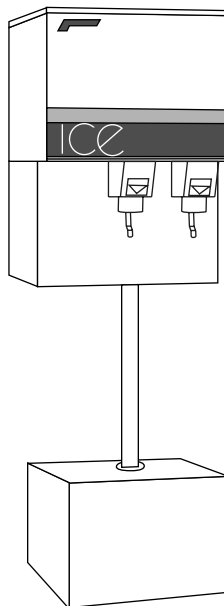
C25T5A/W C50T5A/W



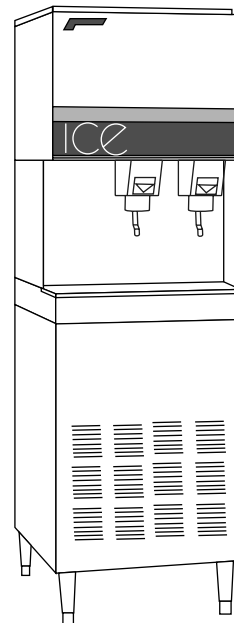
H25T5A/W H50T5A/W



C25R5A/W C50R5A/W



H25R5A/W H50R5A/W



F255A/W F505A/W

## Welcome to Follett

Follett ice dispensers enjoy a well-deserved reputation for excellent performance, long-term reliability and outstanding after-the-sale support. To ensure that your dispenser delivers this high performance, we ask that you review the first two pages of this manual to understand the operation and requirements of your new dispenser. Pages 4 - 11 are for use by service technicians maintaining the unit. Should you have any questions or require technical help at any time, please call our technical service group at (800) 523-9361 or (888) 2-FOLLETT or (610) 252-7301.

## Operation

### Before you begin

Check your paperwork to determine which model you have. Follett model numbers are designed to provide information about the type and capacity of Follett ice dispensing equipment. Following is an explanation of model numbers:

**C50T5A**

① ② ③ ④ ⑤

1. Dispenser configuration – C = countertop, H = wall mount, F = freestanding
2. Approximate storage capacity in lbs
3. Icemaker location – R = remote icemaker; T = integral icemaker in top of cabinet.  
**Note:** No letter is used to indicate icemaker located in base of freestanding units.
4. Icemaker capacity – 5 = 400 lbs/day, R22 refrigerant
5. Condenser type – A = air-cooled, W = water-cooled



### Important cautions

- **Dispenser bin area contains mechanical, moving parts. Keep hands and arms clear of this area at all times. If access to this area is required, power to unit must be disconnected first.**
- **A Follett QC4-FL4S water filter system (order #AFSYSTMFL4S) in icemaker inlet water line is recommended.**
- **Ice is slippery. Maintain counters and floors around dispenser in a clean and ice-free condition.**
- **Ice is food. Follow recommended cleaning instructions to maintain cleanliness of delivered ice.**
- **Countertop dispensers that sit on legs (not bolted to counter) can be inadvertently moved. Care should be taken when operating and cleaning to avoid accidents.**

### Electrical specifications

#### Freestanding models and models with integral icemakers

Basic electrical 115/60/1 Total system 13.0 amps, max. fuse size 20 amps  
 Alternate electrical 230/50/1 Total system 6.8 amps, max. fuse size 15 amps

#### Models with remote icemakers

Models with remote icemakers require separate circuits and disconnects for icemaker and dispenser.

Basic electrical 115/60/1 Icemaker 11.0 amps, max. fuse size 20 amps  
 Dispenser 2.0 amps, max. fuse size 15 amps  
 Alternate electrical 230/50/1 Icemaker 6.0 amps, dispenser .8 amps, max. fuse size 15 amps each

All models must be hard-wired. Equipment ground required. Electric disconnects required within 10 ft (3m) of dispenser. One disconnect each for dispenser and icemaker for all 25/50 series dispensers with remote icemaker.

### Ambient specifications

Air Temp 100° F/38°C Max. 50°F/10°C Min.  
 Water Temp 90°F/32°C Max. 40°F/4°C Min.  
 Water Pressure 70 P.S.I. Max. 10 P.S.I. Min.

### Plumbing

	C25/50 with remote icemaker	H25/50 with remote icemaker	C25/50 with integral icemaker	H25/50 with integral icemaker	F25/50
Dispenser drain	3/4" FPT	3/4" ID	3/4" FPT	3/4" ID	3/4" FPT
Icemaker drain	1/2" MPT	1/2" MPT	–	–	3/8" FPT
Water inlet	1/4" FPT	1/4" FPT	3/8" FPT	3/8" FPT	3/8" FPT
Cond. inlet – w/c only	3/8" FPT	3/8" FPT	1/2" FPT	1/2" FPT	3/8" FPT
Cond. drain – w/c only	1/2" FPT	1/2" FPT	1/2" FPT	1/2" FPT	1/2" FPT

**Note:** Water shut-off recommended within 10 feet (3m) of dispenser.

Drain to be hard piped and insulated and maintain at least 1/4" per foot (6mm per 304mm run) of slope.

## How the dispenser works

Follett's 25 and 50 automatic load ice dispensers receive ice from Follett's 400 lb/day icemaker located in the dispenser base, in the cabinet top or in a remote location up to 20 feet (6 meters) away. Ice produced is stored in the bin section of the dispenser. On lever and push-button dispensers, when the dispense lever or button is pushed, the ice dispense solenoid is energized. This opens the gate and activates the dispense motor, causing the wheel to turn. This moves ice to the dispense chute where it drops by gravity into the container held below the chute.

In Follett's continuous icemaking process, water freezes to the inside walls of the evaporator. A rotating stainless auger carries the ice to the top of the evaporator where it is compressed and extruded through an outlet port. The ice is then pushed through a tube to the dispenser bin. When the storage area is full, a bin stat opens and shuts the icemaker off.

A level fill circuit maximizes the fill in the bin by rotating the wheel at intervals until the bin is completely filled. When the bin is filled, a bin stat shuts off the icemaker to avoid overfilling the bin. The icemaker will restart after 20 min. if the bin is calling for ice.

## How the SensorSAFE™ accessory works

Follett's SensorSAFE accessory maximizes sanitation and minimizes the possibility of cross-contamination by eliminating physical contact between the cup or container and dispenser. Sensors in the panel use reflected infra-red light to detect the presence of the container and send a signal to a control board which then activates the appropriate components for ice or water dispensing. The SensorSAFE package includes a cleaning switch under the left side of the front cover which temporarily shuts off dispensing to allow cleaning of the panel and lenses. If the switch is not turned back on after cleaning, the dispenser automatically resets after two minutes for normal operation. SensorSAFE also includes a time limit safety feature which automatically stops ice dispensing after one minute of continuous dispensing. Dispensing can be resumed by moving the container away from the dispenser and returning it to the activation zone.

## How the chilled water accessory works

Follett's chilled water accessory uses ice from the dispenser's storage hopper to chill incoming water supplied to the water station. The water chiller assembly is located in the dispenser cabinet under the storage hopper. As ice is dispensed, or the wheel motor is energized during the level fill cycle, ice is automatically fed into the water chiller assembly to chill the water coil inside the assembly.

## To start-up and operate dispenser

Refer to the 25/50 Series Installation Manual (and Icemaker Installation Manual, form #206428, if unit is equipped with a remote icemaker) packed with equipment for cleaning and start-up instructions before operating unit.

# Cleaning

Follett recommends the periodic cleaning schedule below to ensure the quality of ice provided. Use only recommended cleaning solutions. Do not use solvents, abrasive cleaners, metal scrapers or sharp objects.



**Warning - Always disconnect power to dispenser and icemaker before cleaning.**

Solution A: Prepare cleaning solution (200 ppm of available chlorine content) of Ecolab Mikro-chlor Cleaner or equal chlorinated detergent. Solution temperature must be 75° to 125°F (24° to 52°C).

Solution B: Prepare sanitizing solution (50 ppm of available chlorine content) of Ecolab Mikro-chlor Cleaner or equal chlorinated detergent. Solution temperature must be 75° to 125°F (24° to 52°C).

### Weekly cleaning – dispenser grille and drain pan

1. Remove grille and wash with Solution A. Rinse thoroughly.
2. Pour 1 cup (284ml) household bleach into drain pan, followed by 1 gallon (3.8L) of hot tap water to flush drains.

### SensorSAFE dispensers:

Deactivate dispenser by depressing and releasing clean switch located on left side of unit under top front cover. Clean lens using a soft cloth and mild, non-abrasive cleaner. Reactivate dispenser by depressing and releasing clean switch a second time.

### Quarterly cleaning - dispenser hopper

1. Remove all ice from dispenser bin.
2. Remove center thumbnut on dispense wheel in bottom of bin and ice baffle at front of bin area.
3. Tilt rear of dispense wheel up and lift to remove.

4. Remove dispense mechanism.
5. Wipe lid, wheel, baffle, inside of storage area and dispense mechanism with damp cloth wrung out in Solution A.



**To avoid possible damage to motor assembly, use a damp cloth only. Do not allow water to run through center hole in bottom of bin area.**

6. Rinse all above items with damp cloth rinsed and wrung out in clear water.
7. Sanitize all above items with damp cloth wrung out in Solution B. Do not rinse.
8. Pour 1 cup (284ml) household bleach into drain pan, followed by 1 gallon (3.8L) of hot tap water to flush drains.
9. See Dispense Wheel Removal section for proper spacing of baffle and reinstall parts.
10. If unit is equipped with chilled water accessory, also see below.

**If dispenser is equipped with chilled water accessory:**

1. Remove two (2) screws securing splash panel and lay splash panel on dispenser drain pan.
2. Disconnect 3/4" drain line from bottom of chilled water canister.
3. Loosen (do not remove) screw securing front bracket of chilled water canister to bottom of dispenser hopper.
4. Rotate canister to left to release front bracket, then pull canister forward to disengage rear bracket.
5. Remove chilled water coil from canister and clean with cloth wrung out in Solution A.
6. Wipe inside of chilled water canister with cloth wrung out in Solution A.
7. Rinse all above items with damp cloth wrung out in clear water.
8. Sanitize all above items with damp cloth wrung out in Solution B. Do not rinse.
9. Reinstall chilled water coil into canister (rubber alignment grommet on coil tubing must be located outside chilled water canister to hold coil securely against canister wall).
10. Reinstall chilled water assembly on dispenser and tighten screw securing front bracket.
11. Reconnect 3/4" drain line to chilled water canister.
12. Reinstall splash panel and top front cover.
13. Restore power and test operation.

**Quarterly cleaning of icemaker system**

Units with icemakers require icemaker cleaning at least every 3 months, and more often if local water conditions dictate. Failure to clean icemaker will result in decreased performance and potential damage to icemaker. Refer to Icemaker Operation and Service Manual for specific cleaning instructions.

## Service

### Troubleshooting



**Disconnect power to dispenser and icemaker before putting hands or arms in storage area or attempting any repair or service to equipment.**

**Before calling for service:**

- Check that there is ice in dispenser bin area
- Check that congealed cubes are not causing a jam
- Check that all switches and circuit breakers are on
- Check that all drains are clear

Symptom	Possible cause	Solution
1. Does not dispense ice	a. Power switch off or faulty. b. Faulty dispense switch. c. Wheel motor malfunction. d. Drive chain off. e. Sprocket key missing. f. Faulty dispense solenoid.	a. Check switch. Turn on or replace if faulty. b. Replace switch. c. Check motor and replace as required. d. Reinstall chain. e. Install key and tighten sprocket. f. Check solenoid and replace if faulty.

## Troubleshooting, cont.

Symptom	Possible cause	Solution
2. Does not dispense water	a. Dispense switch faulty. b. Faulty water solenoid. c. Solenoid plugged by debris.	a. Check switch and replace if faulty. b. Check solenoid and replace if faulty. c. Remove and clean valve.
3. Water runs continuously	a. Dispense switch contacts burned shut. b. Debris preventing valve from closing.	a. Check switch and replace if faulty. b. Remove and clean valve.
4. Dispense wheel rotates continuously	a. Dispense switch contacts burned shut. b. Faulty timer supplying power to pin #1 at all times. c. Welded contacts on level fill relay.	a. Replace dispense switch. b. Replace timer. c. Replace relay.
5. Icemaker runs continuously	a. Faulty or incorrectly positioned bin stat. b. Incorrect field wiring.	a. Check for proper positioning. If stat does not open when ice is placed on capillary tube, replace stat. b. Check that icemaker receives bin signal from dispenser.

## Troubleshooting SensorSAFE board and sensors

### Problem: Does not dispense ice and/or water

ACTION	LED STATUS			SOLUTION
	PWR	CLN	ICE/WTR	
Check LEDs on control board	OFF	OFF	OFF	Check circuit breakers and power switch. Restore power or replace defective switch.
	ON	ON	OFF	Depress clean switch located under left side of front cover to return board to normal operation.
Place cup under drop zone	ON	OFF	OFF	Troubleshoot appropriate lens/sensor and replace if required. (see Lens/Sensor Troubleshooting).
	ON	OFF	ON	Verify power on appropriate output terminal (WTR, SOL, or WM) on control board and replace board if required. If board tests okay, troubleshoot appropriate dispenser component (see page 3).

### Problem: dispenses ice and/or water continuously

ACTION	LED STATUS			SOLUTION
	PWR	CLN	ICE/WTR	
	ON	OFF	ON	Troubleshoot appropriate lens/sensor and replace if required (see Lens/sensor troubleshooting).
	ON	OFF	OFF	If there is power on any output terminal (WTR, SOL, or WM) on control board, replace board.

## Board guide

LEDs, when illuminated, indicate the following: PWR (board power), CLN (cleaning, no dispensing cycle), ICE (ice dispensing activated), WTR (water dispensing activated).

Terminals: LI (incoming power, hot), L2 (neutral terminals), WTR (power terminal for water solenoid), SOL (power terminal for dispense gate solenoid), WM (power terminal for wheelmotor), CLN (terminals for clean cycle switch).

## Lens/sensor troubleshooting

Turn dispenser power switch off. Remove splash panel. Disconnect wires from output (WTR, SOL, WM) terminal(s) on board. Gently remove appropriate sensor/mounting block assembly from panel by moving block sideways until edge of block clears retaining tab of panel. Inspect lens and sensor assembly for foreign material and remove using non-abrasive cleaner. Turn dispenser power on and test sensor by moving hands through activation area (no closer than 3/16"/1.9mm) in front of sensor. If LED on board turns on and off, sensor is working properly and dispenser may be reassembled. If LED does not come on, switch sensor leads on board and retest. If the opposite LED comes on, board is defective and must be replaced. If LED does not come on sensor is defective and must be replaced.

## Troubleshooting lever models

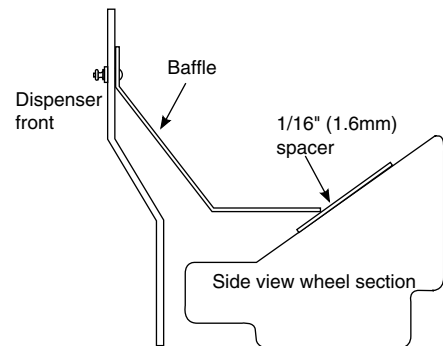
### Dispense chute removal

1. Remove stainless dispenser front cover.
2. Slide plastic dispense chute cover up and out to remove.
3. Pull out four (4) white plastic fasteners and remove dispense chute and bracket assembly.

### Dispense wheel removal and reinstallation

**Models with integral icemakers (in top of dispenser) require removal of icemaker before removing wheel.**

1. Remove all ice from storage area of dispenser.
2. Remove center thumbnut from dispense wheel.
3. Remove thumbnuts holding baffle inside bin and remove baffle.
4. Tilt rear of wheel up and lift off motor drive shaft.
5. After reinstalling wheel, secure baffle loosely with thumbnuts, but do not tighten.
6. Place a 1/16" (1.6mm) spacer against wheel and allow baffle to drop until it touches spacer.
7. Tighten thumbnuts and remove spacer.



### Drive bar removal

1. Remove dispense wheel from dispenser (see above).
2. Pull drive bar out of its channel in bottom of wheel.

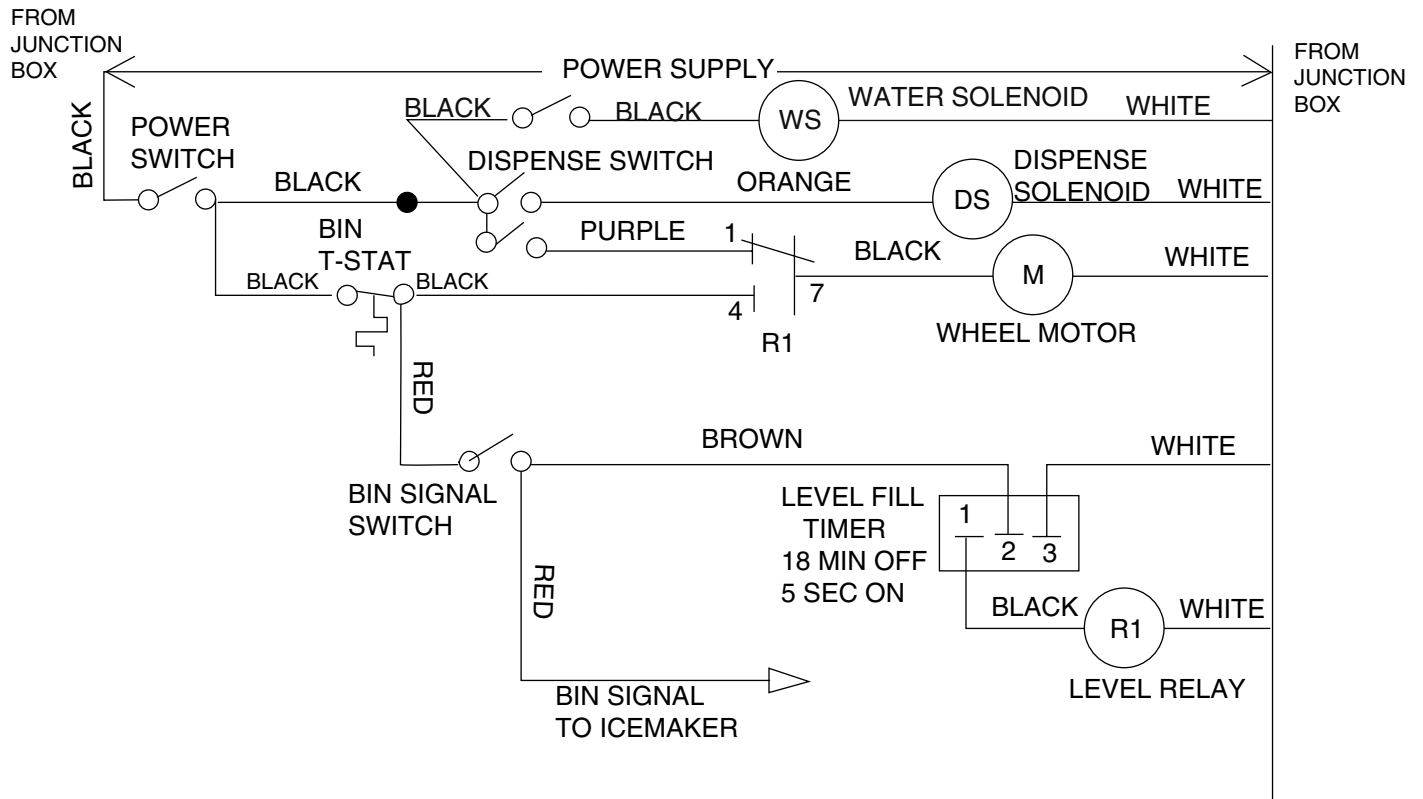
### Wheel motor removal

1. Remove dispense wheel and dispense assembly (see above).
2. Remove two (2) screws at top of front splash panel and two (2) screws at bottom of panel, pull bottom of panel forward and remove. (On units with serial number 28788 and above, disconnect dispense switch wires and remove drain tube from splash panel before removing panel.)
3. Disconnect wires on motor and remove phillips head screw clip holding wires to motor channel.
4. Remove four (4) bolts (7/16" socket) holding motor channel assembly to bottom of dispenser.
5. Remove motor and channel together as one assembly.

## Wiring diagrams

### How unit works — lever models

The dispense wheel motor and ice dispense solenoid are energized through the power and ice dispense switches. The water solenoid is energized through the power and water dispense switches. The icemaker receives the bin signal through the power switch, the normally closed bin thermostat and the icemaker switch. The 25 and 50 series dispensers are equipped with a level fill timer to maximize the fill in the ice storage area. While the bin level thermostat is calling for ice, the level fill timer is energized. Every 18 minutes the timer energizes the level fill relay, rotating the wheel motor for 5 seconds. When ice builds up around the bin thermostat, the contacts open, cutting the bin signal to the icemaker.

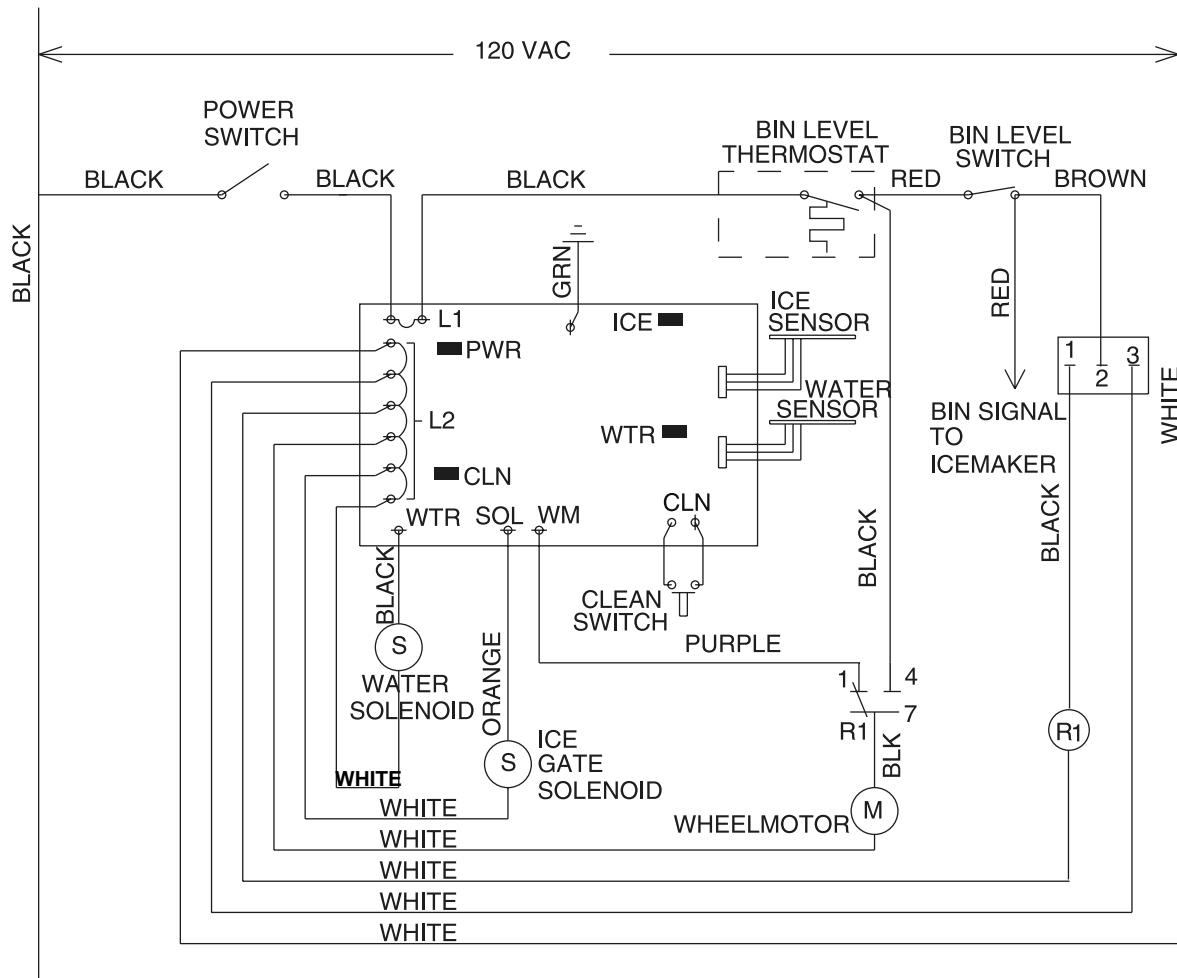


## How unit works — SensorSAFE models

SensorSAFE models provide “touchless” ice and water dispensing. When a container is placed within the actuation zone below the ice or water chute on SensorSAFE dispenser models, an invisible, randomly-generated infra-red signal is emitted, reflected off the container and detected by the sensor. The sensor then sends a signal to the control board to activate the appropriate components to dispense ice or water. LED’s on the board indicate when the board is receiving a signal from the sensors.

A safety, shut-off feature automatically shuts off dispensing after one minute of continuous activation. Dispensing can be restarted by moving the container away and then returning it to the actuation zone.

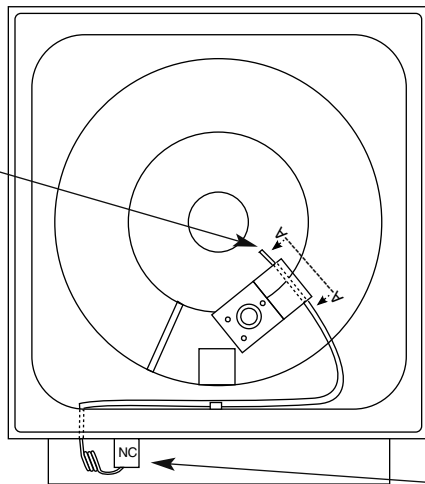
Dispensing can be temporarily suspended for cleaning by depressing and releasing the clean switch, located under the left side of the top front cover. Depressing and releasing the button a second time will return the dispenser to normal operating state. If the clean switch is not depressed a second time, the dispenser will automatically resume normal dispense operation (CLN LED goes out) after two minutes. An LED on the control board will light to indicate that the dispensing has been suspended by activation of the clean switch.





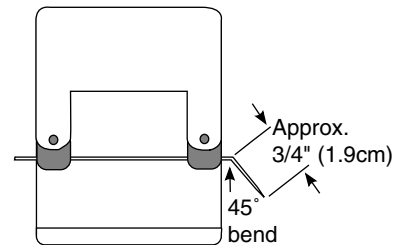
## Thermostat locations – C25T5A/W, H25T5A/W, C50T5A/W, H50T5A/W

hand bend  
cap tube  
end to  
approx. 45°  
as shown in  
Detail A–A.

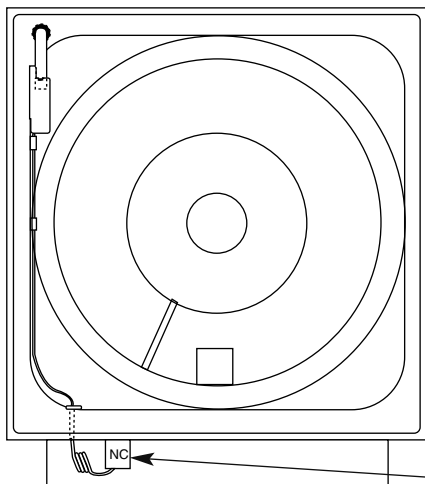


bin thermostat

Detail A–A



## Thermostat locations – C25R5A/W, H25R5A/W, F255A/W C50R5A/W, H50R5A/W, F505A/W



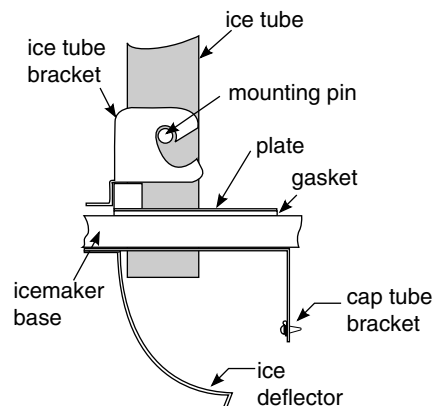
bin thermostat

## Ice transport tube replacement - C25T5A/W, H25T5A/W, C50T5A/W, H50T5A/W



**If preparing tubing not supplied by Follett, dispenser end of tube must be fitted with mounting pins as shown in drawing at right.**

1. Slip hose clamp on end of transport tube without pins, immerse this end in cup of hot water to soften hose and push it on evaporator port of icemaker.
2. Fasten tube on evaporator port with hose clamp, being sure that clamp is positioned on evaporator side of flange. Tighten clamp.
3. Insert loose end of the ice tube into bracket on icemaker base as shown in drawing.
4. Pull up on ice tube to seat the pins in bracket.



## Ice transport tube replacement – models F255A/W, F505A/W, C25R5A/W, C50R5A/W

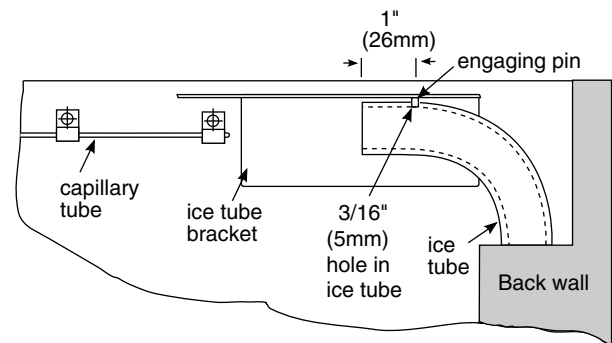


**Correct installation of ice transport tube is critical to remote icemaker performance. Replacement ice transport tubes for remote icemakers must be insulated and run continuously from icemaker to dispenser with no dips or bends with a radius of less than 6" (153mm).**

1. Remove top and rear access panel from dispenser (and lower front panel on freestanding unit).
2. Disconnect existing ice tube from engaging pin in ice storage bin and pull down through dispenser chase.
3. Disconnect opposite end of tube from icemaker.
4. Run end of new ice transport tube with 3/16" (5mm) hole through right hand knockout in back of dispenser or through counter into bottom of dispenser, being careful to avoid any bends with less than 6" (153mm) radius.
5. Insert tube in internal chase in rear inside corner of dispenser (right side as you face rear of dispenser) and push up into storage area.
6. Push the 3/16" hole near end of tube into pin on ice tube bracket (see drawing below).

### Steps 7-8 for units with remote icemakers only

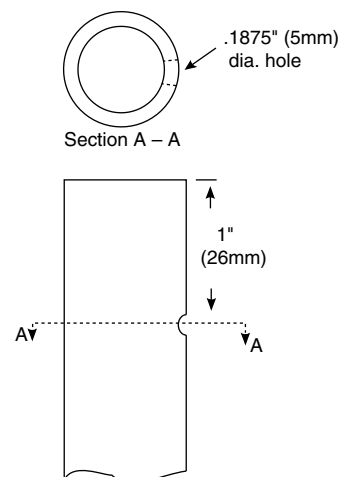
7. Install supplied insulation to run of transport tube required for your site, leaving approximately 2" (51mm) of tube exposed at free end.
8. Check that insulated tube runs continuously to dispenser with no dips.



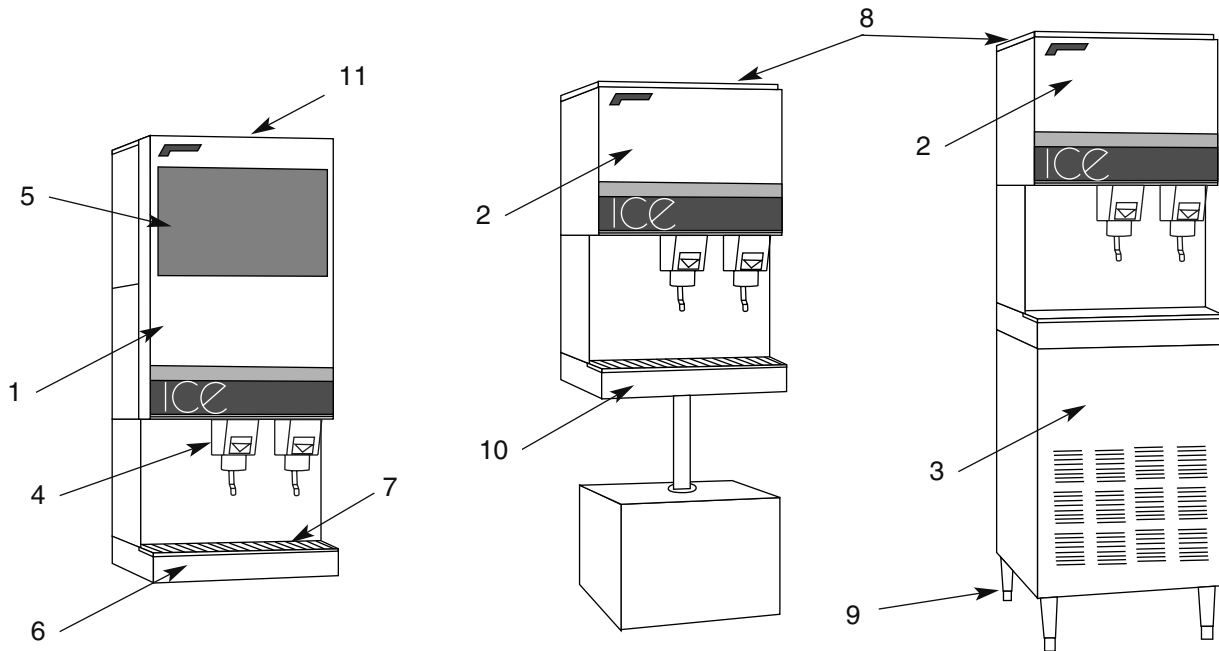
New Style Bracket

### All units

9. Place free end of tube in a cup of hot water to soften, slip supplied hose clamp onto tube and push tube onto exit port of evaporator. **DO NOT TWIST HOSE WHEN SECURING TO EVAPORATOR.**
10. Fasten tube on port with hose clamp, being sure that clamp is positioned on evaporator side of flange.
11. Tighten clamp.

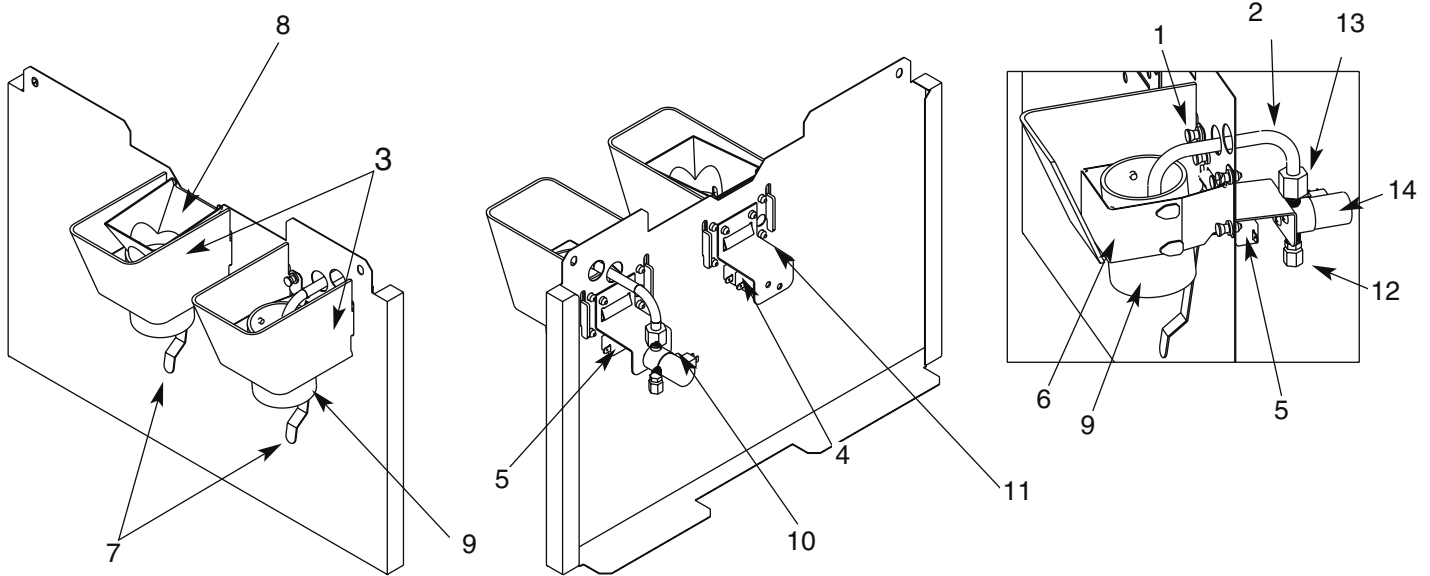


## Parts



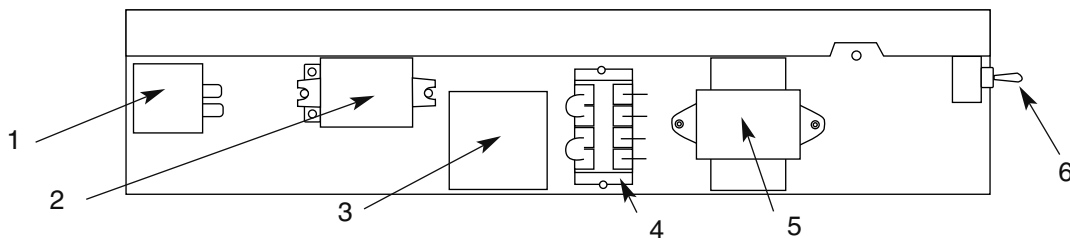
Part #	Description	Reference #
501621	Cover, front, with "ice" graphics, for models C25T5A/W and H25T5A/W	1
501622	Cover, front, with "ice" graphics, for models C50T5A/W and H50T5A/W	1
501623	Cover, front, with "ice" graphics, for models F255A/W, C25R5A/W and H25R5A/W	2
501624	Cover, front, with "ice" graphics, for models F505A/W, C50R5A/W and H50R5A/W	2
502258	Cover, front, for SensorSAFE models C25T5A/W and H25T5A/W	Not shown
502260	Cover, front, for SensorSAFE models C50T5A/W and H25T5A/W	Not shown
502257	Cover, front, for SensorSAFE models F255A/W, C25R5A/W and H25R5A/W	Not shown
502259	Cover, front, for SensorSAFE models F505A/W, C50R5A/W and H50R5A/W	Not shown
501630	Cover, lower section, stainless, for F25 and F50 freestanding units	3
502250	Cover, dispense chute, SensorSAFE	Not shown
502507	Cover, dispense chute, lever	4
501100	Knurled screws, front cover	Not shown
501626	Grille, plastic ventilation (for units with integral icemaker)	5
501627	Filter, ventilation (behind ventilation grille on units with integral icemaker)	Not shown
501881	Drain pan, plastic	6
501825	Grille, drain pan	7
501625	Lid (freestanding models and all models with remote icemaker)	8
502082	Rear panel, base stand, perforated	Not shown
501631	Leg kit, 4" (102mm), adjustable, for models with remote icemaker – set of 4	Not shown
500089	Leg kit, 6" (153mm), adjustable, for freestanding units – set of 4	9
502079	Tubing, water station, thermoplastic, 1/4" OD	Not shown
500376	Strainer, water faucet and icemaker (models with integral icemaker)	Not shown
502112	Drain tube assembly	Not shown
502100	Mounting plate/fitting, water inlet	Not shown
502078	Fitting, plastic (includes sleeve and stem)	Not shown
502433	Tee, water inlet	Not shown
502222	Valve, water shut-off	Not shown
502268	Fitting, drain and mounting plate (dispensers with integral icemakers)	Not shown
501758	Base assembly, countertop dispenser (includes 501881 and 501825)	10
502225	Assembly, water inlet, freestanding models (includes valve, tee and strainer)	Not shown
502167	Lid 25/50 (top mount models)	11

## Dispense chute and splash panel areas — lever models



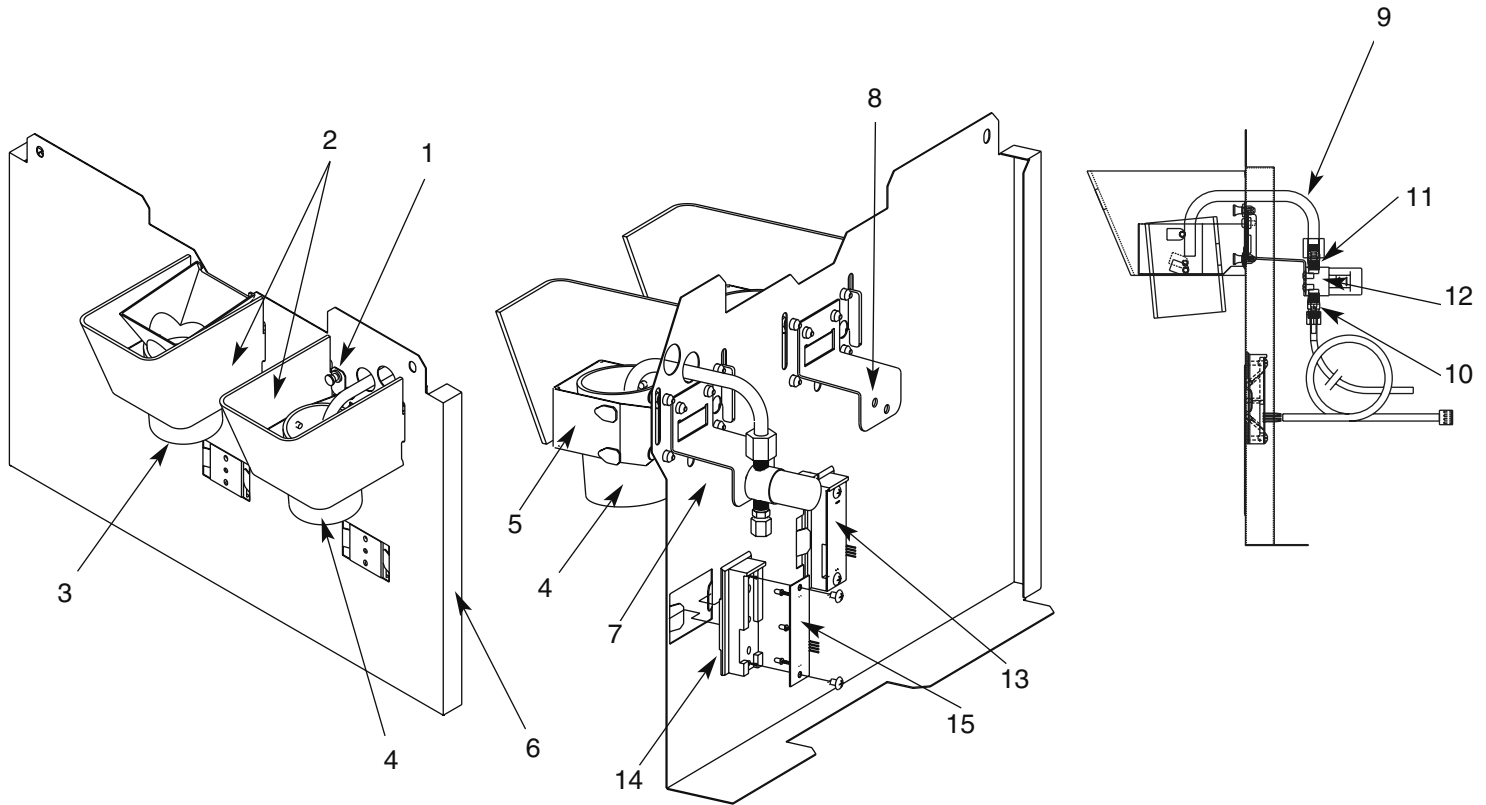
Part #	Description	Reference #
502057	Fastener, dispense chute bracket	1
502356	Tube, water station	2
502507	Cover, dispense chute, lever operation (includes labels)	3
501829	Switch, dispense, ice, lever actuated (includes 501841)	4
502359	Switch, dispense, water, lever actuated (includes 501841)	5
502247	Bracket, chute (includes fasteners 502057)	6
502358	Lever, dispense	7
502248	Chute, ice	8
502249	Chute, water	9
502357	Solenoid assy, water (includes 502243, 502356, 502246, 502355 and 502262) 120V, 60Hz	10
502577	Solenoid assy, water (includes 502576, 502356, 502246, 502355 and 502262) 230V, 50Hz	10
502355	Bracket, water solenoid and lever	11
502246	Fitting, inlet, 1/8" MPT x 1/4" comp	12
502262	Fitting, outlet, 1/8" MPT x 3/8" comp	13
502243	Solenoid valve, water, 120 V, 60Hz	14
502576	Solenoid valve, water, 230V, 50Hz	14
501841	Boot, dispense switch button (mounts on 501829 switch)	Not shown

## Electrical box (front view) — lever models



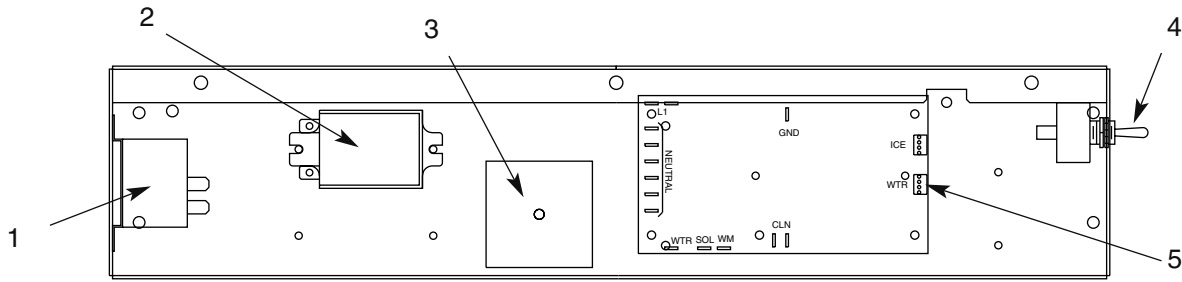
Part #	Description	Reference #
500514	Thermostat	1
501369	Relay, level fill (auto load units only)	2
501375	Relay, level fill, non-domestic units, 230V, 50Hz (auto load units only)	2
501601	Timer, level fill (auto load units only)	3
501700	Timer, level fill, non-domestic units, 230V, 50Hz (auto load units only)	3
501604	Terminal block	4
501321	Transformer (units with valves)	5
501429	Transformer, non-domestic units, 230V, 50Hz (units with valves)	5
500006	Switch (front), dispenser power	6
500006	Switch (rear), icemaker bin signal	6

## Dispense chute and splash panel areas — SensorSAFE models



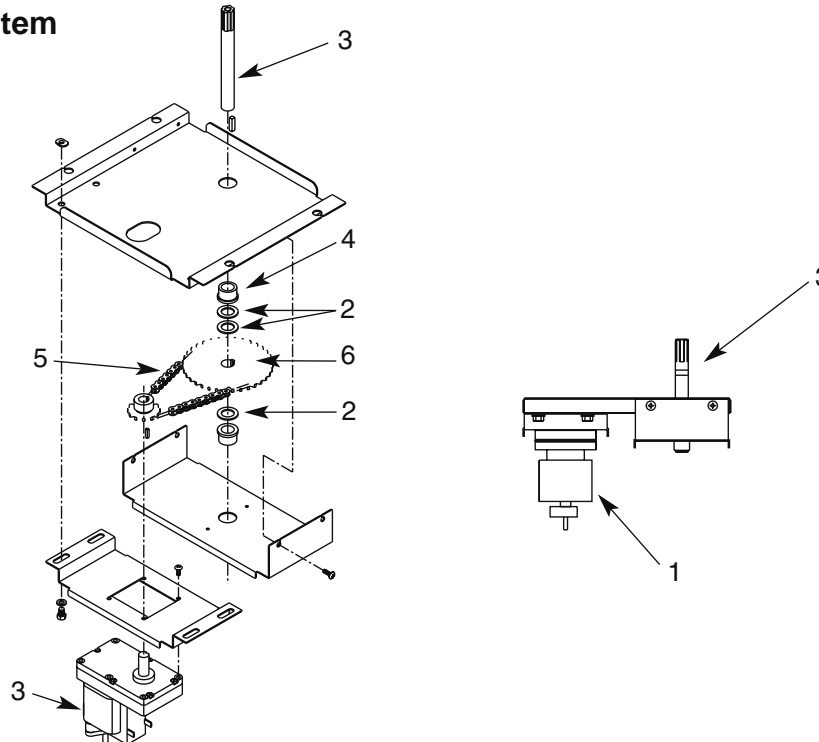
Part #	Description	Reference #
502057	Fastener, dispense chute assembly	1
502250	Cover, dispense chute, SensorSAFE	2
502248	Chute, ice	3
502249	Chute, water	4
502247	Bracket, chute (includes fasteners 502057)	5
502690	Sensor, lens	Not shown
502253	Splash panel (includes (2) 502690)	6
502357	Solenoid assy, water (incl. 502243, 502356, 502246, 502355 and 502262) 120V, 60Hz	7
502577	Solenoid assy, water (incl. 502576, 502356, 502246, 502355 and 502262) 230V, 50Hz	7
502355	Bracket, water solenoid and lever	8
502356	Tube, water station	9
502246	Fitting, inlet, 1/8" MPT x 1/4" comp	10
502262	Fitting, outlet, 1/8" MPT x 3/8" comp	11
502243	Solenoid valve, water, 120V, 60Hz	12
502576	Solenoid valve, water, 230V, 50Hz	12
502241	Assembly, sensor and mounting block (includes 502239 and 502240)	13
502239	Block, sensor mounting	14
502240	Sensor	15
502255	Bracket, clean switch, SensorSAFE	Not shown
501139	Clean switch, SensorSAFE	Not shown

## Electrical box (front view) – SensorSAFE models



Part #	Description	Reference #
500514	Thermostat, bin level	1
501369	Relay, level fill	2
501601	Timer, level fill	3
500006	Switch (front), dispenser power	4
500006	Switch (rear), icemaker bin signal	4
502242	Control board, SensorSAFE	5
502255	Bracket, clean switch, SensorSAFE	Not shown
501139	Clean switch, SensorSAFE	Not shown

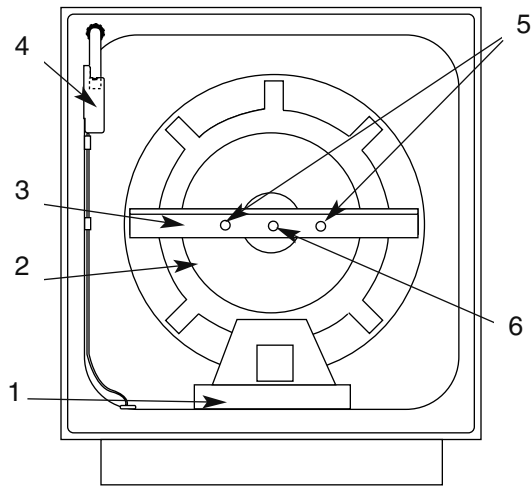
## Wheel motor and drive system



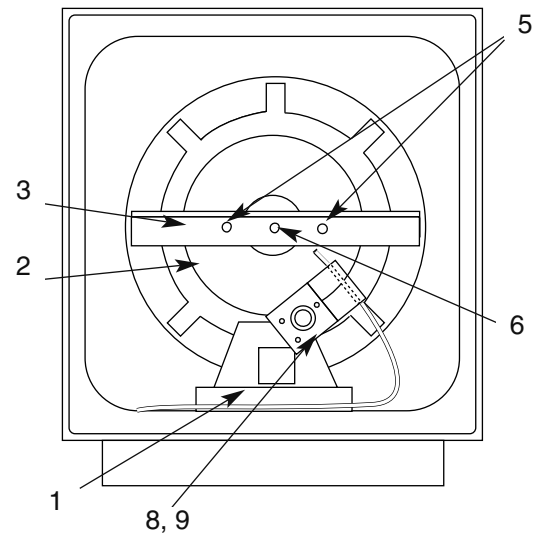
Part #	Description	Reference #
501861	Motor, wheel	1
501699	Motor, wheel, non-domestic units, 230V, 50Hz	1
501026	Washer, thrust	2
501607	Fan blade, wheel motor	Not shown
501618	Bearing, motor assembly	Not shown
501019	Sprocket, wheel motor, 10T	Not shown
501619	Drive shaft (includes threaded rod and nut)	3
501024	Bearing, drive shaft	4
501319	Chain, 48 link	5
501620	Sprocket, drive shaft, 25T	6
500799	Connecting link, chain	Not shown
502020	Dispenser drive assembly (includes all of the above)	Not shown

# Hopper components

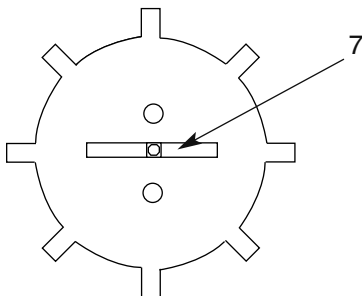
**Top view – freestanding and remote units**



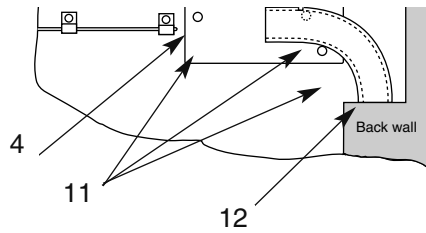
**Top view – all top mounted units**



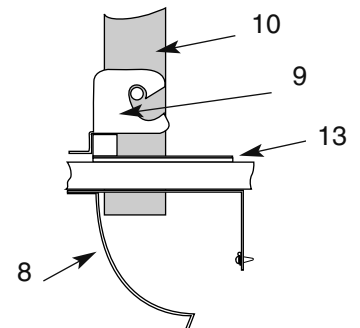
**Dispense wheel – bottom view all units**



**Side view**

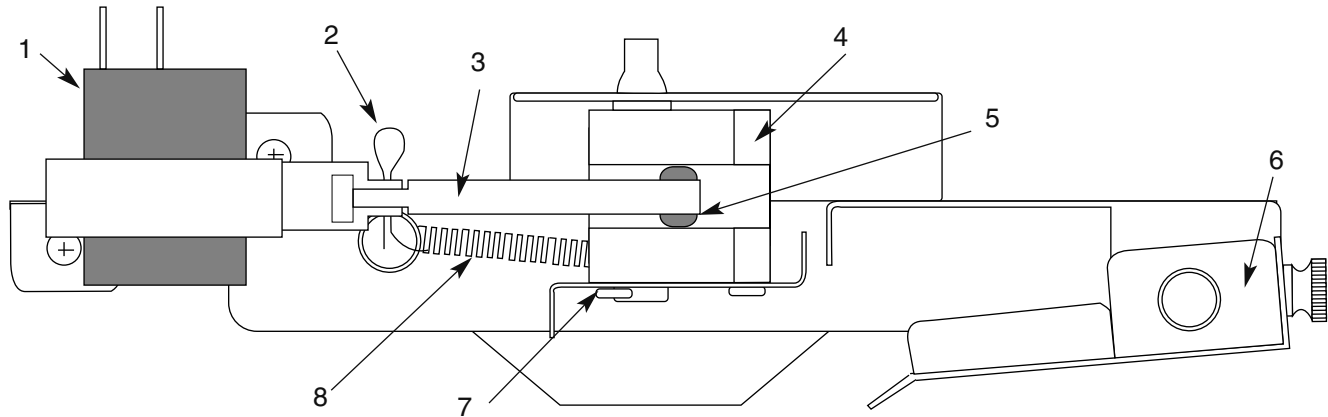


**Side view – all top mounted units**

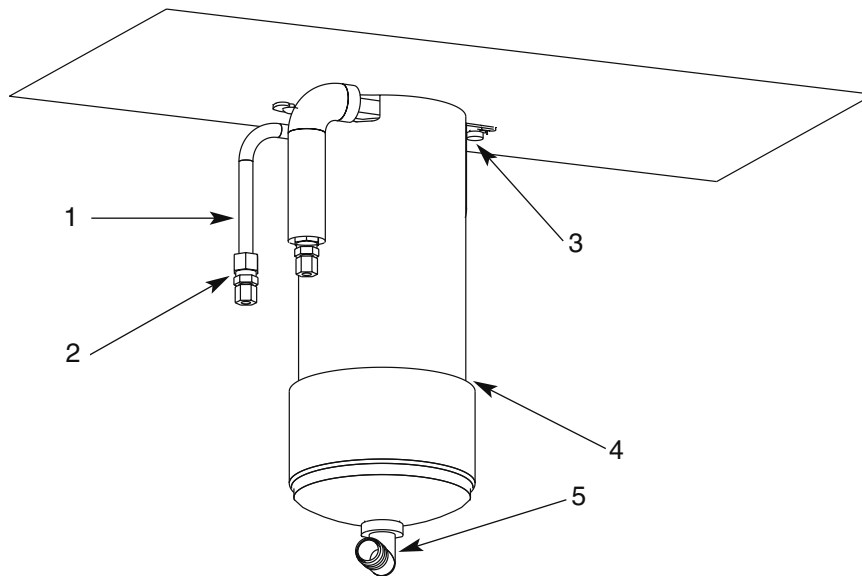


Part #	Description	Reference #
501608	Baffle, ice	1
501614	Wheel, dispense (includes drive bar, rotating agitator, threaded bar & rod)	2
502821	Wheel, dispense (wheel only)	2
501609	Agitator, rotating	3
502056	Bracket, ice tube	4
501100	Screw, knurled, rotating agitator	5
501612	Rod, threaded (includes knurled nut)	6
501617	Drive bar assembly (includes threaded rod and nut)	7
501616	Ice deflector/cap tube bracket (units with top mounted icemaker)	8
501842	Bracket, ice tube entry (units with top mounted icemakers)	9
501795	Ice transport tube assembly (units with top mounted icemakers) – sold as 1.6 ft section	10
501613	Screws, knurled	11
502522	Ice transport tube (remote units) – 10 ft	12
502523	Ice transport tube (remote units) – 20 ft	12
501176	Ice transport tube insulation (remote units only) – sold by ft	Not shown
502328	Ice transport tube assembly (model F505A)	Not shown
502329	Ice transport tube assembly (model F255A/W and F505W)	Not shown
502824	Gasket, ice entry	13

## Solenoid dispense assembly



Part #	Description	Reference #
501830	Solenoid, dispense 115V, 60HZ	1
502040	Cotter pin	2
502039	Linkage, solenoid (includes 502054 grommet)	3
502042	Block, dispense gate	4
502054	Grommet	5
502045	Splash pan, gate assembly	6
502038	Shoulder screw and washer	7
501824	Spring, gate assembly	8
502043	Gate assembly (includes reference numbers 1 through 8 above)	



Part #	Description	Reference #
502598	Coil, chilled water (includes (2) 502599)	1
502599	Fitting, water coil	2
502600	Brackets, chilled water canister, pair (includes screws)	3
502601	Canister, chilled water (includes 502600 and 502605)	4
502605	Elbow, drain	5
502604	Tee, drain	Not shown
502602	Assembly, chilled water (incl. reference numbers 1 through 5 above)	